

# 30" GAS SLIDE-IN RANGE INSTALLATION INSTRUCTIONS

(Models with Sealed Top Burners)

INSTALLATION AND SERVICE MUST BE PERFORMED BY A QUALIFIED INSTALLER.

IMPORTANT: SAVE FOR LOCAL ELECTRICAL INSPECTOR'S USE.  
READ AND SAVE THESE INSTRUCTIONS FOR FUTURE REFERENCE.



**WARNING** If the information in this manual is not followed exactly, a fire or explosion may result causing property damage, personal injury or death.

**FOR YOUR SAFETY:**

- Do not store or use gasoline or other flammable vapors and liquids in the vicinity of this or any other appliance.
- **WHAT TO DO IF YOU SMELL GAS:**
  - Do not try to light any appliance.
  - Do not touch any electrical switch; do not use any phone in your building.
  - Immediately call your gas supplier from a neighbor's phone. Follow the gas supplier's instructions.
  - If you cannot reach your gas supplier, call the fire department.
- Installation and service must be performed by a qualified installer, service agency or the gas supplier.

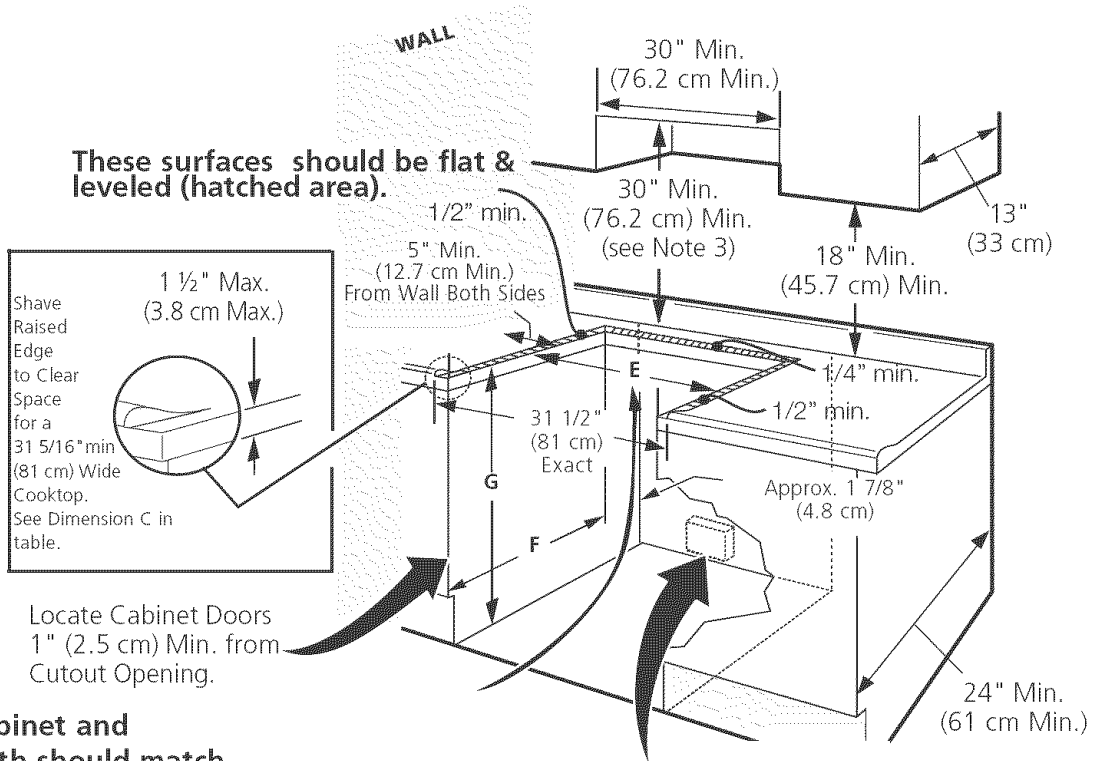
**Appliances Installed in the state of Massachusetts:**

This Appliance can only be installed in the state of Massachusetts by a Massachusetts licensed plumber or gasfitter.

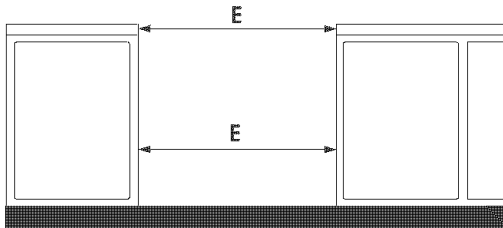
This appliance must be installed with a three (3) foot / 36 in. long flexible gas connector.

A "T" handle type manual gas valve must be installed in the gas supply line to this appliance.

For existing 29" (73.7 cm) cutout width opening, you must call the Service Center for optional thinner side panels. Also you must prepare the countertop edge as shown in the "Countertop Preparation" section (see page 4).



**IMPORTANT: Cabinet and countertop width should match the cutout width.**



Grounded Junction Box or Wall Outlet Should Be Located 8" to 17" (20.3 cm to 43.2 cm) From Right Cabinet and 2" to 4" (5.1 cm to 10.2 cm) From Floor.

A. HEIGHT	B. WIDTH	C. COOKTOP WIDTH	D. DEPTH TO FRONT OF RANGE	E. CUTOUT WIDTH *** (Countertop and Cabinet)	F. CUTOUT DEPTH	G. HEIGHT OF COUNTERTOP
35 5/8" (90.5 cm) - 36 5/8" (93 cm)	30" (76,2 cm)	Porcelain 31 5/16" (79.5 cm) Glass 31 1/2" (81 cm)	28 5/16" (71,9 cm)	30±1/16" (76,2±0,15 cm)	21 3/4" (55,2 cm) Min. 22 1/8" (56,2 cm) Max 24" (61 cm) Min. with backguard	36 5/8" (93 cm) Max. 35 5/8" (90.5 cm) Min.

NOTE: Wiring diagram for these appliances are enclosed in this booklet.

P/N 318201674 (0510) Rev. C

# 30" GAS SLIDE-IN RANGE INSTALLATION INSTRUCTIONS

(Models with Sealed Top Burners)

## NOTE:

1. Do not pinch the power supply cord or the flexible gas conduit between the range and the wall.
2. Do not seal the range to the side cabinets.
3. 24" (61 cm) minimum clearance between the cooktop and the bottom of the cabinet when the bottom of wood or metal cabinet is protected by not less than ¼" (0.64 cm) flame retardant millboard covered with not less than No. 28 MSG sheet metal, 0.015" (0.4 mm) stainless steel, 0.024" (0.6 mm) aluminum, or 0.020" (0.5 mm) copper. 30" (76.2 cm) minimum clearance when the cabinet is unprotected.
4. For cutouts below 22 7/8" (58.1 cm), appliance will slightly show out of the cabinet.
5. Allow at least 19 ¼" (48.9 cm) clearance for door depth when it is open.

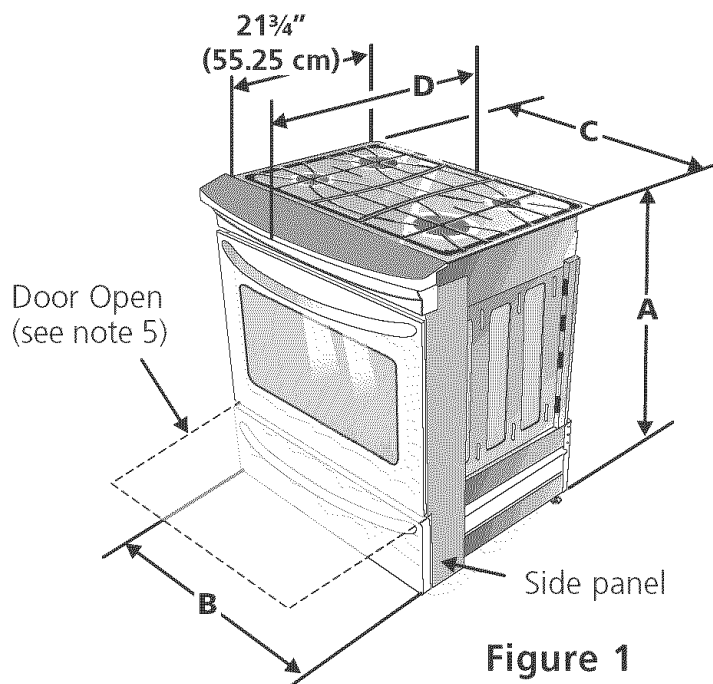
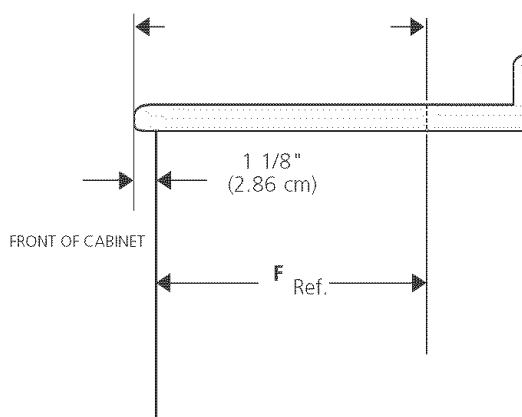


Figure 1

**\*IMPORTANT:** To avoid cooktop glass breakage for cutout width (E dimension) of more than 30 1/16" (76.4 cm), make sure the appliance is centered in the counter opening while pushing into it. Raise leveling legs at maximum position, insert the appliance in the counter and then level. Make sure the unit is supported by the leveling legs not by the cooktop glass itself.

22 7/8" (58.1 cm) min.  
23 1/4" (59.05 cm) max.  
(see Note 4)



A. HEIGHT	B. WIDTH	C. COOKTOP WIDTH	D. DEPTH TO FRONT OF RANGE	E. CUTOUT WIDTH *** (Countertop and Cabinet)	F. CUTOUT DEPTH	G. HEIGHT OF COUNTERTOP
35 5/8" (90.5 cm) - 36 5/8" (93 cm)	30" (76,2 cm)	31 5/16" (79.5 cm)	28 5/16" (71,9 cm)	30±1/16" (76,2±0,15 cm)	21 3/4" (55,2 cm) Min. 22 1/8" (56,2 cm) Max 24" (61 cm) Min. with backguard	36 5/8" (93 cm) Max. 35 5/8" (90.5 cm) Min.

# 30" GAS SLIDE-IN RANGE INSTALLATION INSTRUCTIONS

(Models with Sealed Top Burners)

## Important Notes to the Installer

1. Read all instructions contained in these installation instructions before installing range.
2. Remove all packing material from the oven compartments before connecting the gas and electrical supply to the range.
3. Observe all governing codes and ordinances.
4. Be sure to leave these instructions with the consumer.

## Important Note to the Consumer

Keep these instructions with your Use & Care Guide for future reference.

# IMPORTANT SAFETY INSTRUCTIONS

Installation of this range must conform with local codes or, in the absence of local codes, with the National Fuel Gas Code ANSI Z223.1/NFPA .54-latest edition.

This range has been design certified by CSA International. As with any appliance using gas and generating heat, there are certain safety precautions you should follow. You will find them in the Use and Care Guide, read it carefully.

- **Be sure your range is installed and grounded properly by a qualified installer or service technician.**
- **This range must be electrically grounded in accordance with local codes or, in their absence, with the National Electrical Code ANSI/NFPA No. 70—latest edition.** See Grounding Instructions.
- **Before installing the range in an area covered with linoleum or any other synthetic floor covering, make sure the floor covering can withstand heat at least 90°F above room temperature without shrinking, warping or discoloring.** Do not install the range over carpeting unless you place an insulating pad or sheet of ¼" (10,16 cm) thick plywood between the range and carpeting.
- **Make sure the wall coverings around the range can withstand the heat generated by the range.**

- **Do not obstruct the flow of combustion air at the oven vent nor around the base or beneath the lower front panel of the range.** Avoid touching the vent openings or nearby surfaces as they may become hot while the oven is in operation. This range requires fresh air for proper burner combustion.

**⚠ WARNING** Never leave children alone or unattended in the area where an appliance is in use.

As children grow, teach them the proper, safe use of all appliances. Never leave the oven door open when the range is unattended.

**⚠ WARNING** Stepping, leaning or sitting on the doors or drawers of this range can result in serious injuries and can also cause damage to the range.

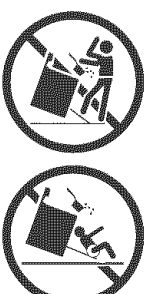
- **Do not store items of interest to children in the cabinets above the range.** Children could be seriously burned climbing on the range to reach items.
- **To eliminate the need to reach over the surface burners, cabinet storage space above the burners should be avoided.**
- **Adjust surface burner flame size so it does not extend beyond the edge of the cooking utensil.** Excessive flame is hazardous.
- **Do not use the oven as a storage space.** This creates a potentially hazardous situation.
- **Never use your range for warming or heating the room.** Prolonged use of the range without adequate ventilation can be dangerous.
- **Do not store or use gasoline or other flammable vapors and liquids near this or any other appliance.** Explosions or fires could result.
- In the event of an electrical power outage, the surface burners can be lit manually. To light a surface burner, hold a lit match to the burner head and slowly turn the Surface Control knob to LITE. Use caution when lighting surface burners manually.
- **Reset all controls to the "off" position after using a programmable timing operation.**

## FOR MODELS WITH SELF-CLEAN FEATURE:

- **Remove broiler pan, food and other utensils before self-cleaning the oven.** Wipe up excess spillage. Follow the precleaning instructions in the Use and Care Guide.
- **Unlike the standard gas range, THIS COOKTOP IS NOT REMOVABLE.** Do not attempt to remove the cooktop.

## 1. Cabinet Construction

**⚠ CAUTION** To eliminate the risk of cabinet burns and fire, do not have cabinet storage space above the range. If there is cabinet storage space above range, reduce risk by installing a range hood that projects horizontally a minimum of 5" (12.7 cm) beyond the bottom of the cabinet.

	<b>⚠ WARNING</b> <ul style="list-style-type: none"><li>• All ranges can tip.</li><li>• Injury to persons could result.</li><li>• Install anti-tip device packed with range.</li></ul>	<b>⚠ WARNING</b> To reduce the risk of tipping of the range, the range must be secured by properly installed anti-tip bracket provided with the range. To check if the bracket is installed properly, grasp the top rear edge of the range and carefully tilt it forward to make sure the range is anchored.
---	---	--

# 30" GAS SLIDE-IN RANGE INSTALLATION INSTRUCTIONS

(Models with Sealed Top Burners)

## Countertop Preparation

- The cooktop sides of the range fit over the cutout edge of your countertop.
- If you have a **square finish (flat) countertop**, no countertop preparation is required. Cooktop sides lay directly on edge of countertop.
- **Formed front-edged countertops** must have molded edge shaved flat  $\frac{3}{4}$ " (1.9 cm) from each front corner of opening (Figure 2).
- **Tile countertops** may need trim cut back  $\frac{3}{4}$ " (1.9 cm) from each front corner and/or rounded edge flattened (Figure 2).

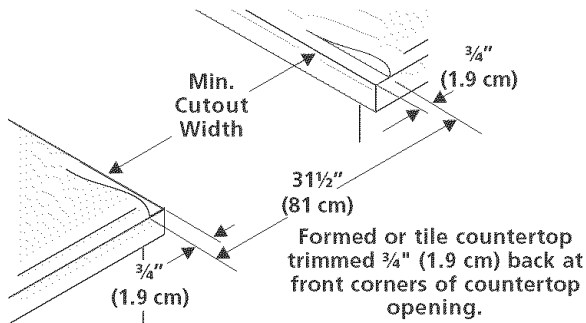


Figure 2

- **If the existing cutout width is greater than 30-1/16" (76,4 cm)**, reduce the  $\frac{3}{4}$ " (1.9 cm) dimension.
- **Countertop must be level.** Place a level on the countertop, first side to side, then front to back. If the countertop is not level, the range will not be level. The oven must be level for satisfactory baking results. Cooktop sides of range fit over edges of countertop opening.
- **For existing cutout width of 29" (73.7 cm) (Figure 3):**

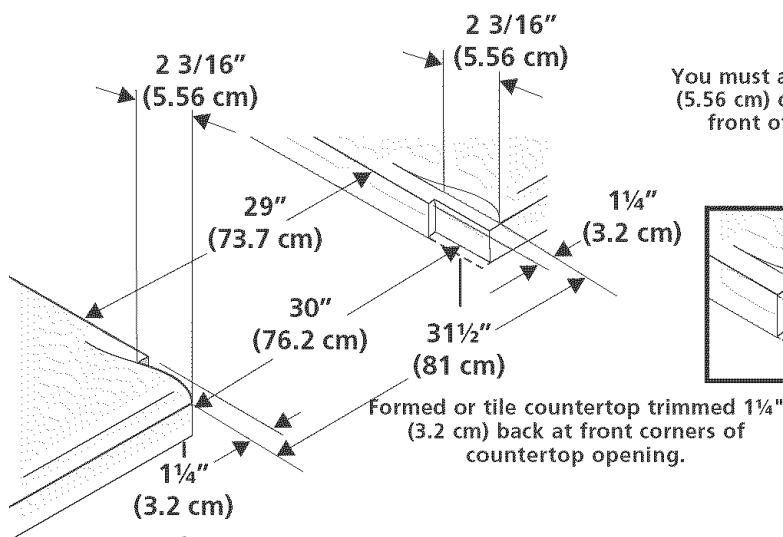
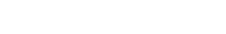
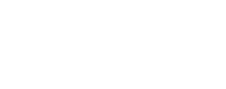
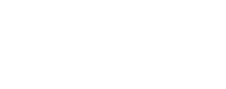
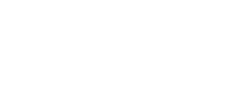
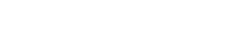
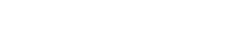
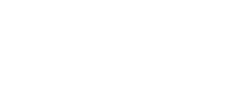
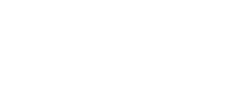
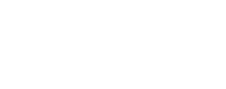
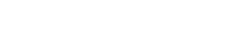
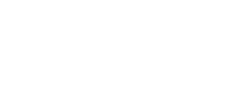
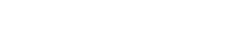
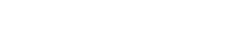
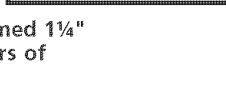
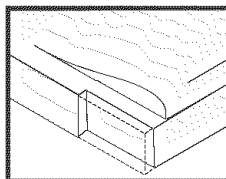


Figure 3

You must also clear  $2 \frac{3}{16}$ " (5.56 cm) of material from front of countertop.



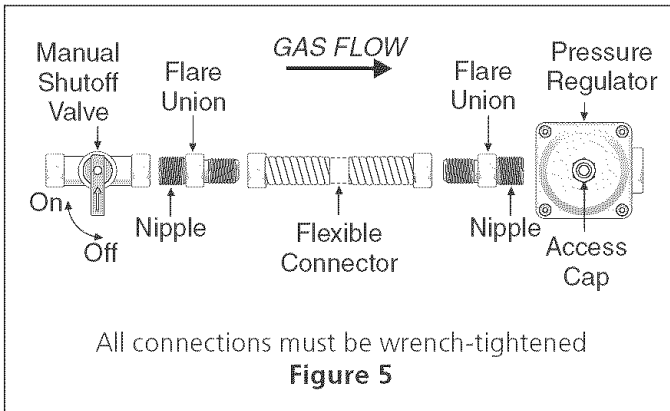
# 30" GAS SLIDE-IN RANGE INSTALLATION INSTRUCTIONS

(Models with Sealed Top Burners)

## Connection to Pressure Regulator

The regulator is already installed on the appliance.

**⚠ WARNING** Do not make the connection too tight. The regulator is die cast. Overtightening may crack the regulator resulting in a gas leak and possible fire or explosion.

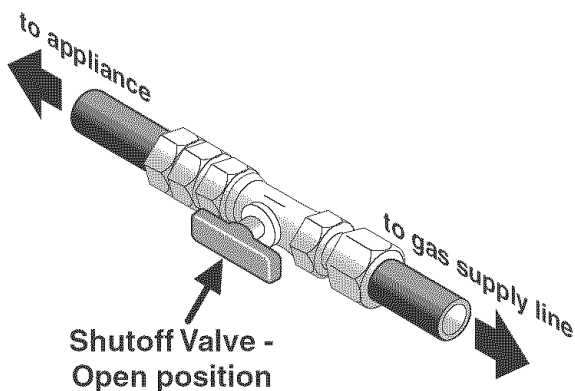


Assemble the flexible connector from the gas supply pipe to the pressure regulator in the following order:

1. manual shutoff valve (not included)
2. 1/2" nipple (not included)
3. 1/2" flare union adapter (not included)
4. flexible connector (not included)
5. 1/2" flare union adapter (not included)
6. 1/2" nipple (not included)
7. pressure regulator (included)

Use pipe-joint compound made for use with Natural and LP/Propane gas to seal all gas connections. If flexible connectors are used, be certain connectors are not kinked.

The supply line must be equipped with an approved manual shutoff valve. This valve should be located in the same room as the range and should be in a location that allows ease of opening and closing. Do not block access to the shutoff valve. The valve is for turning on or shutting off gas to the appliance.



**Figure 6**

Once regulator is in place, open the shutoff valve in the gas supply line. Wait a few minutes for gas to move through the gas line.

**Check for leaks.** After connecting the range to the gas supply, check the system for leaks with a manometer. If a manometer is not available, turn on the gas supply and use a liquid leak detector (or soap and water) at all joints and connections to check for leaks.

**⚠ WARNING** Do not use a flame to check for leaks from gas connections. Checking for leaks with a flame may result in a fire or explosion.

**Tighten all connections** as necessary to prevent gas leakage in the range or supply line.

**Disconnect this range and its individual manual shutoff valve** from the gas supply piping system during any pressure testing of that system at test pressures greater than 1/2 psig (3.5 kPa or 14" water column).

**Isolate the range from the gas supply piping system** by closing its individual manual shutoff valve during any pressure testing of the gas supply piping system at test pressures equal to or less than 1/2 psig (3.5 kPa or 14" water column).

## 5. LP/Propane Gas Conversion

This appliance can be used with Natural gas or LP/Propane gas. It is shipped from the factory for use with natural gas.

If you wish to convert your range for use with LP/Propane gas, use the supplied fixed orifices located in a bag containing the literature marked "FOR LP/PROPANE GAS CONVERSION." Follow the instructions packaged with the orifices for surface, oven and broil burners conversion.

The conversion must be performed by a qualified service technician in accordance with the manufacturer's instructions and all local codes and requirements. Failure to follow these instructions could result in serious injury or property damage. The qualified agency performing this work assumes responsibility for the conversion.

**⚠ WARNING** Failure to make the appropriate conversion can result in serious personal injury and property damage.

# 30" GAS SLIDE-IN RANGE INSTALLATION INSTRUCTIONS

(Models with Sealed Top Burners)

## 6. Electrical Requirements

120 volt, 60 Hertz, properly grounded dedicated circuit protected by a 15 amp circuit breaker or time delay fuse.

**Note:** Not recommended to be installed with a Ground Fault Interrupt (GFI).

**Do not use an extension cord with this range.**

### Grounding Instructions

**IMPORTANT** Please read carefully.

**For personal safety, this appliance must be properly grounded.**

The power cord of this appliance is equipped with a 3-prong (grounding) plug which mates with a standard 3-prong grounding wall receptacle (see Figure 7) to minimize the possibility of electric shock hazard from the appliance.

The wall receptacle and circuit should be checked by a qualified electrician to make sure the receptacle is properly grounded.

#### Preferred Method

Grounding type wall receptacle

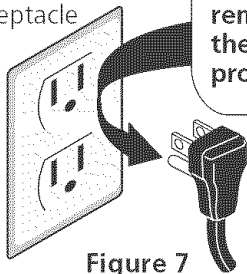


Figure 7

Power supply cord with 3-prong grounding plug.

Where a standard 2-prong wall receptacle is installed, it is the personal responsibility and obligation of the consumer to have it replaced by a properly grounded 3-prong wall receptacle.

**Do not, under any circumstances, cut or remove the third (ground) prong from the power cord.**

**⚠ WARNING** Disconnect electrical supply cord from wall receptacle before servicing cooktop.

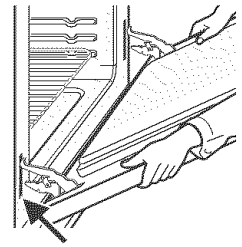
## 7. Moving the Appliance for Servicing and Cleaning

Turn off the range line fuse or circuit breakers at the main power source, and turn off the manual gas shut-off valve. Make sure the range is cold. Remove the service drawer (warmer drawer on some models) and open the oven door. Lift the range at the front and slide it out of the cut-out opening without creating undue strain on the flexible gas conduit. Make sure not to pinch the flexible gas conduit at the back of the range when replacing the unit into the cut-out opening. Replace the drawer, close the door and switch on the electrical power and gas to the range.

## 8. Range Installation

**Important Note:** Door removal is not a requirement for installation of the range, but is an added convenience.

**Refer to the Use and Care Guide for oven door removal instructions.**



### Standard Installation

1. The range cooktop (or cooktop glass) overlaps the countertop at the sides and the range rests on the floor. The cooktop (or cooktop glass) is 31½" (81 cm) wide.
2. Install base cabinets 30" (76.2 cm) apart. Make sure they are plumb and level before attaching cooktop. Shave raised countertop edge to clear 31½" (81 cm) wide range top rim.
3. Install cabinet doors 31" (78.7 cm) min. apart so they will not interfere with range door opening.
4. Cutout countertop exactly as shown on page 1.
5. A backguard kit can be ordered through Sears Service Center.

### For models equipped with Leveling Device:

6. When you unpack the range, the leveling devices at rear are at the highest position they can be. Make sure the front leveling legs are also at their highest position.
7. **⚠ CAUTION** Install the anti-tip bracket at this point before placing the range at its final position. Follow the installation instructions on page 10 or on the anti-tip bracket template supplied with the range.
8. To provide an optimum installation, the top surface of the countertop must be level and flat (lie on the same plane) around the 3 sides that are adjacent to range cooktop. Proper adjustments to make the top flat should be made or gaps between the countertop and the range cooktop (or cooktop glass) may occur.
9. **⚠ CAUTION** To reduce the risk of damaging your appliance, do not handle or manipulate it by the cooktop. Manipulate with care.
10. Position range in front of the cabinet opening.
11. Make sure that the cooktop (or cooktop glass) which overhangs the countertop clears the countertop. If necessary, raise the unit by lowering the leveling legs.
12. Slide the range into the cutout opening.
13. **Level the range** (see section 9). The floor where the range is to be installed must be level. Follow the instructions under "Leveling the Range- Models Equipped with Leveling Device".
14. Adjust leveling legs so that the underside of the cooktop (or cooktop glass) is sitting on the countertop.
15. Carefully screw in the back leveling leg until the cooktop (or cooktop glass) overhang slightly touches the countertop (refer to "Leveling the range: Models equipped with Leveling Device"). **The cooktop (or cooktop glass) must not support the unit.**
16. Then carefully screw in the front two leveling legs (similar to 15) until the cooktop (or cooktop glass) overhang touches slightly the countertop.

# 30" GAS SLIDE-IN RANGE INSTALLATION INSTRUCTIONS

(Models with Sealed Top Burners)

## For models equipped with Leveling Legs:

- To provide an optimum installation, the top surface of the countertop must be level and flat (lie on the same plane) around the 3 sides that are adjacent to range cooktop. Proper adjustments to make the top flat should be made or gaps between the countertop and the range cooktop (or cooktop glass) may occur.
- CAUTION** To reduce the risk of damaging your appliance, do not handle or manipulate it by the cooktop. Manipulate with care.
- Position range in front of the cabinet opening.
- Make sure that the cooktop (or cooktop glass) which overhangs the countertop clears the countertop. If necessary, raise the unit by lowering the leveling legs.
- Level the range** (see section 9). The floor where the range is to be installed must be level. Follow the instructions under "Leveling the Range-Models Equipped with Leveling Legs".
- Adjust leveling legs so that the underside of the cooktop (or cooktop glass) is sitting on the countertop.
- Carefully screw in the back leveling leg until the cooktop (or cooktop glass) overhang touches slightly the countertop. The cooktop must not support the unit.
- Slide the range into the cutout opening.
- Then carefully screw in the front two leveling legs (similar to 12) until the cooktop (or cooktop glass) overhang touches slightly the countertop.
- If the range is not level, pull unit out and readjust leveling legs, or make sure floor is level.

## Installation For 29" Existing Cutout Width Opening

- You must replace the original side panels with new and thinner side panels. These new side panels can be ordered through a Sears Service Center.
- Follow instructions supplied with your new side panels to replace the original side panels with the new ones.
- Check if the countertop is prepared for 29" cutout wide opening at page 3.
- Install range as in the "**Standard Installation**" section above.

## Installation With Backguard

A backguard kit can be ordered through a Sears Service Center. The cutout depth (21 3/4" (55.2 cm) Min., 22 1/8" (56.2 cm) Max.) needs to be increased to 24" (61 cm) when installing a backguard

## Installation With End Panel

An end panel kit can be ordered through a Sears Service Center.

## Installation With Side Panel

A side panels kit can be ordered through a Sears Service Center. Install cabinet doors 31" (78.7 cm) min. apart so as not to interfere with range door opening.

## 9. Leveling the Range

### Models Equipped with Leveling Device

**Level the range after installation in the cutout opening.**

- Open the range drawer. The leveling screws control the height of the rear leg.
- Adjust the appliance legs as follows until the underside of the cooktop (or cooktop glass) surface is sitting level on the countertop (Figure 8).
  - To adjust the front legs, use a wrench on the leg base and turn counterclockwise to lower or clockwise to raise the range.
  - To adjust the rear legs, use a ratchet or a nutdriver and turn the leveling screws counterclockwise to lower or clockwise to raise the range.
- Check if the range is level by installing an oven rack in the center of the oven and placing a level on the rack (Figure 9).
- Take 2 readings with the level placed diagonally in one direction and then the other. Level the range, if necessary, by adjusting the leveling legs.
- If the range cannot be level, contact a carpenter to correct sagging or sloping floor.

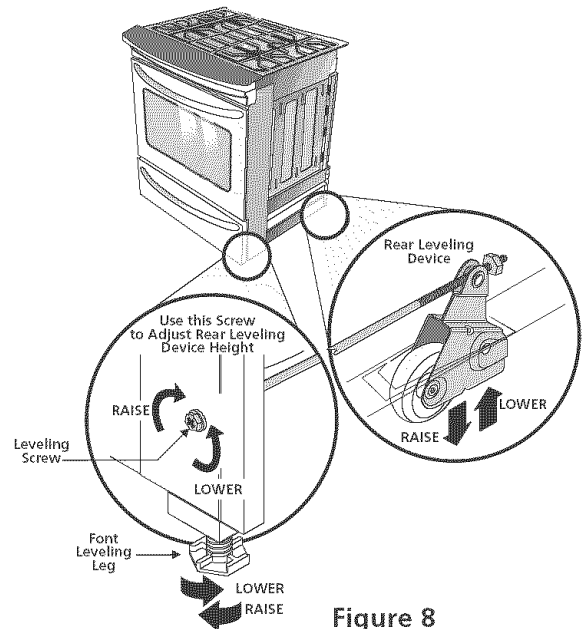


Figure 8

### Models Equipped with Leveling Legs

**Level the range and set cooktop height before installation in the cut-out opening.**

- Install an oven rack in the center of the oven.
- Place a level on the rack (see Figure 9). Take 2 readings with the level placed diagonally in one direction and then the other. Level the range, if necessary, by adjusting the 4 leg levelers with a wrench (see Figure 18).
- Taking care to not damage the countertop, slide range into cutout opening and double check for levelness.

# 30" GAS SLIDE-IN RANGE INSTALLATION INSTRUCTIONS

(Models with Sealed Top Burners)

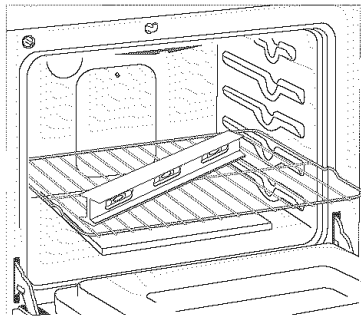


Figure 9

## 10. Decorative Rear Trim Installation (if required)

1. Disconnect the power from the range.
2. Make sure the range is leveled.
3. Pull range toward you.
4. Measure the distance between the floor and the surface underneath the cooktop frame.
5. Mark that distance on the wall where the decorative trim will be installed.
6. Draw a line.
7. Place the top of the decorative trim under that line.
8. Using the screws provided fix the decorative trim into the wall.
9. Slide the range back into position as far as it will go and reconnect the power source.

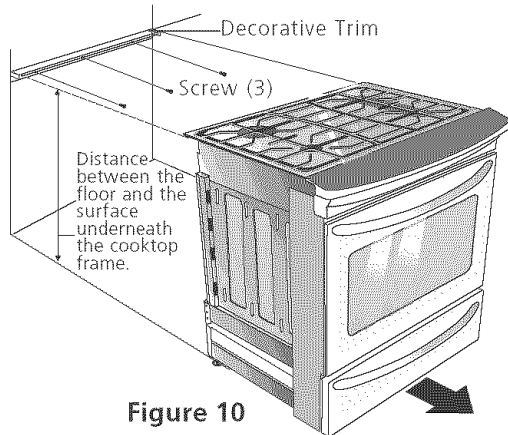


Figure 10

## 11. Check Operation

Refer to the Use and Care Guide packaged with the range for operating instructions and for care and cleaning of your range.

Remove all packaging from the oven before testing.

### 11.1 Install Burner Bases and Burner Caps This range is equipped with sealed burners as shown (see Figure 11).

- a. Unpack burner bases and burner caps.
- b. Place burner bases over each gas opening.
- c. Make sure the burner is properly aligned and leveled.  
Place burner caps over appropriate burner bases.

**NOTE:** There are no burner adjustments necessary on this range.

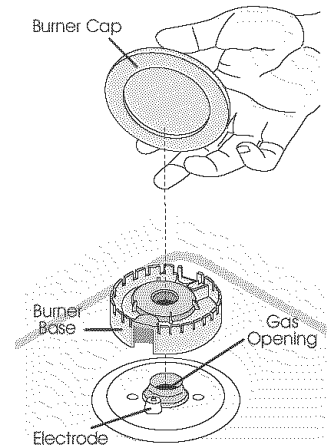


Figure 11

### 11.2 Turn on Electrical Power and Open Main Shutoff Gas Valve

### 11.3 Check the Igniters

Operation of electric igniters should be checked after range and supply line connectors have been carefully checked for leaks, and range has been connected to electric power. To check for proper lighting:

- a. Push in and turn a surface burner knob to the LITE position. You will hear the igniter sparking.
- b. The surface burner should light when gas is available to the top burner. Each burner should light within four (4) seconds after air has been purged from supply lines. Visually check that burner has lit.
- c. Once the burner lights, the control knob should be rotated out of the LITE position.

There are separate ignition devices for each burner. Try each knob separately until all burner valves have been checked.

### 11.4 Adjust the "LOW" Setting of Surface Burner Valves (see Figure 12)

- a. Push in and turn each control to LITE until burner ignites.
- b. Quickly turn knob to LOWEST POSITION.
- c. If burner goes out, readjust valve as follows:  
Reset control to OFF. Remove the surface burner control knob, insert a thin-bladed screw driver into the hollow valve stem and engage the slotted screw inside. Flame size can be increased or decreased with the turn of the screw. Adjust flame until you can quickly turn knob from LITE to LOWEST POSITION without extinguishing the flame. Flame should be as small as possible without going out.

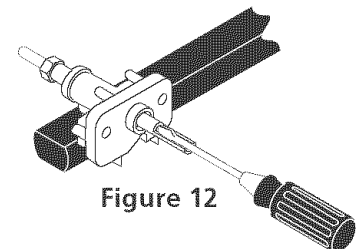


Figure 12



# 30" GAS SLIDE-IN RANGE INSTALLATION INSTRUCTIONS

(Models with Sealed Top Burners)

## 11.5 Operation of Oven Burners and Oven Adjustments

### 11.5.1 Electric Ignition Burners

Operation of electric igniters should be checked after range and supply line connectors have been carefully checked for leaks, and range has been connected to electric power.

The oven burner is equipped with an electric control system as well as an electric oven burner igniter. If your model is equipped with a waist-high broil burner igniter, it will also have an electric burner igniter. These control systems require no adjustment. When the oven is set to operate, current will flow to the igniter. It will "glow" similar to a light bulb. When the igniter has reached a temperature sufficient to ignite gas, the electrically controlled oven valve will open and flame will appear at the oven burner. There is a time lapse from 30 to 60 seconds after thermostat is turned ON before the flame appears at the oven burner. When the oven reaches the display setting, the glowing igniter will go off. The burner flame will go "out" in 20 to 30 seconds after igniter goes "OFF". To maintain any given oven temperature, this cycle will continue as long as the display is set to operate.

After removing all packing materials and literature from the oven:

- Set the oven to BAKE at 300°F. See Use & Care Guide for operating instructions.
- Within 60 seconds the oven burner should ignite. Check for proper flame, and allow the burner to cycle once. Reset controls to off.
- If your model is equipped with a high-waist broiler, set oven to broil. See Use & Care Guide for operating instructions.
- Within 60 seconds the broil burner should ignite. Check for proper flame. Reset controls to off.

### 11.5.2 Air Shutter-Oven Burner

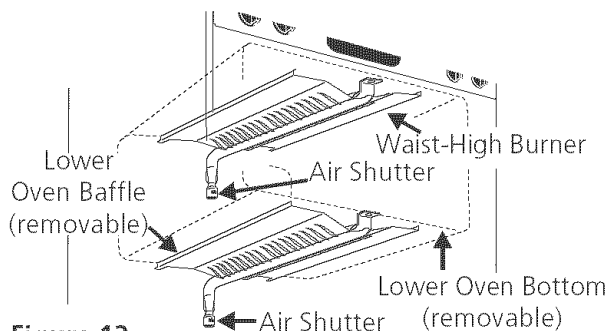


Figure 13

The approximate oven burner flame length is 1 inch (distinct inner cone of blue flame).

To determine if the oven burner flame is proper, remove the oven bottom and burner baffle and set the oven to bake at 300°F.

To remove the oven bottom, remove oven hold down screws at rear of oven bottom. Pull up at rear,

disengage front of oven bottom from oven front frame, and pull the oven bottom out of the oven. Remove burner baffle so that burner flame can be observed.

If the flame is yellow, increase air shutter opening size (see "2" in Figure 14). If the entire flame is blue, reduce the air shutter opening size.

To adjust frame loosen lock screw (see "3" in Figure 14), reposition air shutter, and tighten lock screw. Replace oven bottom.

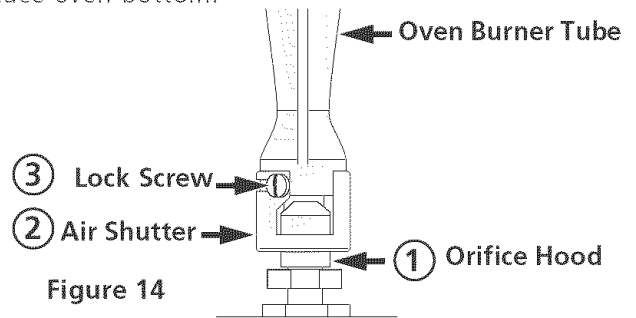


Figure 14

### 11.5.3 Air Shutter-Broil Burner

The approximate flame length of the burner is 1 inch (distinct inner cone of blue flame). To determine if the broil burner flame is proper, set the oven to broil. If flame is yellow, increase air shutter opening size (see "2" in Figure 14). If the entire flame is blue, reduce the air shutter opening size. To adjust, loosen lock screw (see "3" in Figure 14), reposition air shutter, and tighten lock screw.

## When All Hookups are Complete

Make sure all controls are left in the OFF position.

Make sure the flow of combustion and ventilation air to the range is unobstructed.

## Model and Serial Number Location

The serial plate is located on the oven front frame behind the oven door (some models) or on the drawer side frame (some models).

When ordering parts for or making inquiries about your range, always be sure to include the model and serial numbers and a lot number or letter from the serial plate on your range.

Your serial plate also tells you the rating of the burners, the type of fuel and the pressure the range was adjusted for when it left the factory.

## Before You Call for Service

Read the Before You Call Checklist and operating instructions in your Use and Care Guide. It may save you time and expense. The list includes common occurrences that are not the result of defective workmanship or materials in this appliance.

Refer to your Use & Care Guide for Sears service phone numbers or call 1-800-4-MY-HOME ®.

# 30" GAS SLIDE-IN RANGE INSTALLATION INSTRUCTIONS

(Models with Sealed Top Burners)

## 12. Anti-Tip Brackets Installation Instructions

### Models Equipped with Leveling Device

**⚠ WARNING** To reduce the risk of tipping of the range, the range must be secured to the floor by properly installed anti-tip bracket and screws packed with the range. These parts are located in the oven. Failure to install the anti-tip bracket will allow the range to tip over if excessive weight is placed on an open door or if a child climbs upon it. Serious injury might result from spilled hot liquids or from the range itself.

Follow the instructions below to install the anti-tip brackets.

If range is ever moved to a different location, the anti-tip brackets must also be moved and installed with the range.

#### Tools Required:

Adjustable Wrench  
Ratchet  
Drill & 1/8" (0,32 cm) bit  
5/16" (0,8 cm) Nutdriver  
Level

The anti-tip bracket attaches to the floor at the back of the range to prevent range from tipping. When fastening bracket to the floor, be sure that screws do not penetrate electrical wiring or plumbing. The screws provided will work in either wood or concrete.

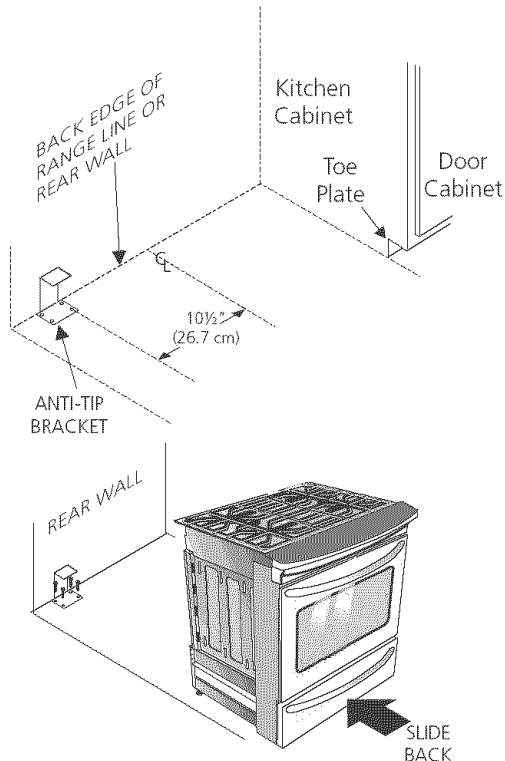


Figure 15

1. Draw a center line (CL) on the floor where the range should be installed. Also draw a line on the floor at the range back position if there is no wall.
2. Unfold paper template and place it flat on the floor with the right rear corner positioned exactly on the intersection of the center and back lines you just drew before. (Use the diagram below to locate brackets if template is not available (Figure 15)).
3. Mark on the floor the location of the 4 mounting holes shown on the template. For easier installation, 3/16" (0,48 cm) diameter pilot holes 1/2" (1,27 cm) deep can be drilled into the floor.
4. Remove template and place bracket on floor. Line up holes in bracket with marks on floor and attach with 4 screws provided. Bracket must be secured to solid floor (Figure 16). If attaching to concrete floor, first drill 3/16" (0,48 cm) dia. pilot holes using masonry drill bit.
5. Be sure the 4 leveling legs are at the highest position they can be.
6. Slide range into place making sure structure of the range is trapped by the anti-tip bracket (Figure 15). Lower the range by adjusting the 4 leveling legs until the underside of the cooktop is sitting level on the countertop. Refer to "Leveling the Range" section.
7. After installation, verify that the anti-tip bracket is engaged by grasping the top rear edge of the range and carefully attempt to tilt it forward to make sure range is properly anchored.

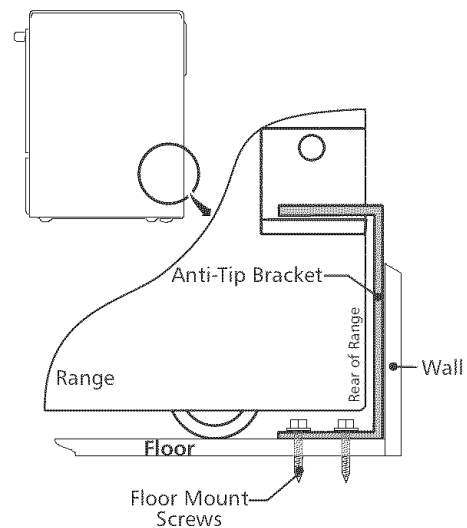


Figure 16

# 30" GAS SLIDE-IN RANGE INSTALLATION INSTRUCTIONS

(Models with Sealed Top Burners)

## Models Equipped with Leveling legs

**⚠ WARNING** To reduce the risk of tipping of the range, the range must be secured to the floor by properly installed anti-tip brackets and screws packed with the range. These parts are located in a plastic bag in the oven. Failure to install the anti-tip brackets will allow the range to tip over if excessive weight is placed on an open door or if a child climbs upon it. Serious injury might result from spilled hot liquids or from the range itself.

Follow the instructions below to install the anti-tip brackets.

If range is ever moved to a different location, the anti-tip brackets must also be moved and installed with the range. To check for proper installation, see step 5.

### Tools Required:

5/16" (0,79 cm) Nutdriver or Flat Head Screwdriver  
Adjustable Wrench  
Electric Drill  
3/16" (0,5 cm) Diameter Drill Bit  
3/16" (0,5 cm) Diameter Masonry Drill Bit (if installing in concrete)

Brackets attach to the floor at the back of the range to hold both rear leg levelers. When fastening to the floor, be sure that screws do not penetrate electrical wiring or plumbing. The screws provided will work in either wood or concrete.

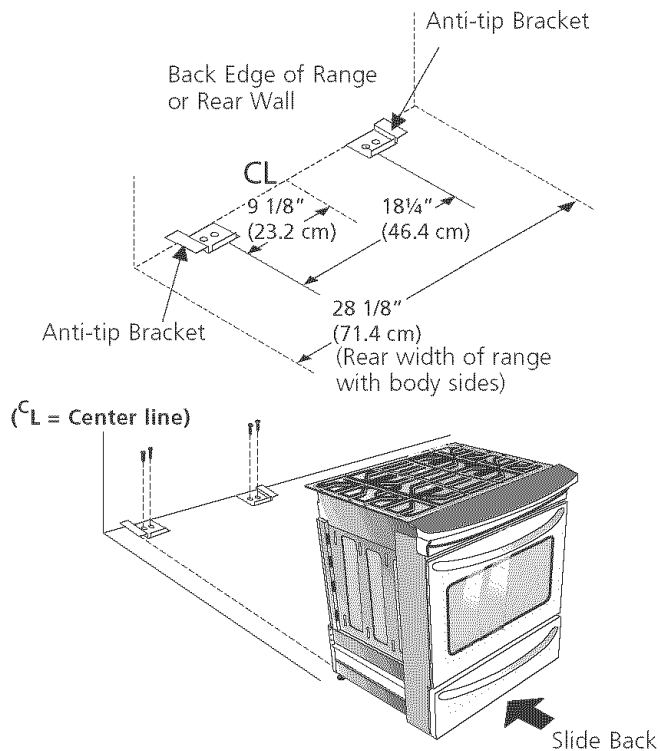


Figure 17

1. Unfold paper template and place it flat on the floor with the back and side edges positioned exactly where the back and sides of range will be located when installed. (Use the diagram below to locate brackets if template is not available. (Figure 17))
2. Mark on the floor the location of the 4 mounting holes shown on the template. For easier installation, 3/16" (0.5 cm) diameter pilot holes 1/2" (1.3 cm) deep can be drilled into the floor.
3. Remove template and place brackets on floor with turned up flange to the front. Line up holes in brackets with marks on floor and attach with 4 screws provided. Brackets must be secured to solid floor. If attaching to concrete floor, first drill 3/16" (0.5 cm) dia. pilot holes using a masonry drill bit.
4. Level range if necessary, by adjusting 4 leg levelers with wrench (Figure 18). A minimum clearance of 1/8" (0.8 cm) is required between the bottom of the range and the rear leg levelers to allow room for the anti-tip brackets.
5. Slide range into place making sure rear legs are trapped by ends of brackets. Range may need to be shifted slightly to one side as it is being pushed back to allow rear legs to slide under brackets. You may also grasp the top rear edge of the range and carefully attempt to tilt it forward to make sure range is properly anchored.

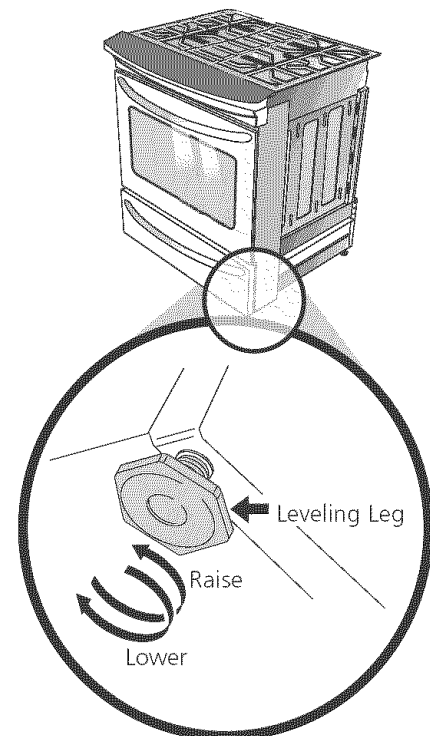


Figure 18

# INSTRUCCIONES DE INSTALACION DE COCINAS DE GAS DE 30"

(Modelos con quemadores sellados)

LA INSTALACION Y EL SERVICIO DEBEN SER EFECTUADOS POR UN INSTALADOR CALIFICADO. IMPORTANTE: GUARDE ESTAS INSTRUCCIONES PARA USO DEL INSPECTOR LOCAL DE ELECTRICIDAD. LEA Y GUARDE ESTAS INSTRUCCIONES PARA REFERENCIA FUTURA.



**⚠️ ADVERTENCIA** Si la información contenida en este manual no es seguida exactamente, puede ocurrir un incendio o explosión causando daños materiales, lesión personal o la muerte.

**PARA SU SEGURIDAD:**

- No almacene ni utilice gasolina u otros vapores y líquidos inflamables en la proximidad de éste o de cualquier otro artefacto.
- **QUE DEBE HACER SI PERCIBE OLOR A GAS:**
  - No trate de encender ningún artefacto.
  - No toque ningún interruptor eléctrico; no use ningún teléfono en su edificio.
  - Llame a su proveedor de gas desde el teléfono de un vecino. Siga las instrucciones del proveedor de gas.
  - Si no logra comunicarse con su proveedor de gas, llame al departamento de bomberos.
- La instalación y el servicio de mantenimiento deben ser efectuados por un instalador calificado, la agencia de servicio o el proveedor de gas.

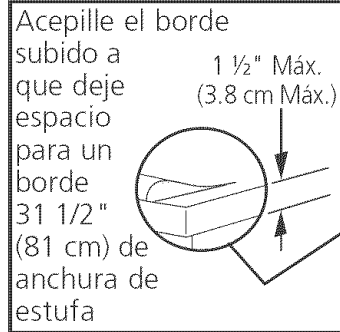
**Aparatos Instalados en el estado de Massachusetts;**

Este Aparato sólo puede ser instalado en el estado de Massachusetts por un plomero o ajustador de gas licenciado de Massachusetts.

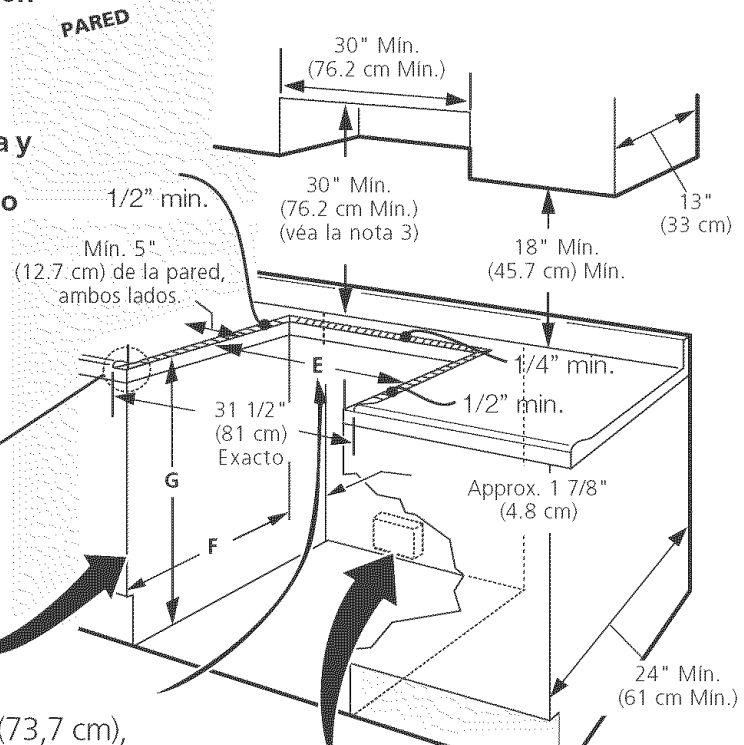
Este aparato se debe instalar con un largo conector flexible de gas de tres (3) pies/36 pulgadas.

Una válvula manual de gas de tipo manija de forma de "T" se debe instalar en la línea del suministro de gas de este aparato.

**\*IMPORTANTE:** Para el corte a lo ancho (dimensión E) de más de 30 1/16" (76,4 cm) para evitar que se rompa el vidrio, asegúrese que el artefacto esté centrado en la abertura de la cubierta mientras lo presiona. Levante las patas de nivelación hasta la posición máxima; inserte el artefacto en la mesada y luego nivele. Asegúrese de que la unidad esté apoyada en las patas de nivelación y no en el vidrio liso.



Localise las puertas del armario 1" (2.5 cm) mín del hueco de la abertura.



La caja de empalmes o el enchufe con puesta a tierra debería situarse de 8" a 17" (20.3 cm a 43.2 cm) del armario derecho y de 2" a 4" (5.1 cm a 10.2 cm) del suelo.

NOTA: Para la abertura amplia de corte de 29" (73,7 cm), tiene que llamar al Centro de Servicios y solicitar paneles laterales opcionales. Despejar el reborde ancho de la cocina tal como se muestra en la sección "Preparación de la Mesada" (ver página 15).

A. ALTURA	B. ANCHO	C. ANCHO DE LA PLANCHA DE COCINAR	D. PROFUNDIDAD A LA FRENTE DE LA ESTUFA	E. ANCHO DE RECORTADO*** (cubierta y armario)	F. PROFUNDIDAD DE RECORTADO	G. ALTURA DEL MOSTRADOR
35 5/8" (90.5 cm) - 36 5/8" (93 cm)	30" (76,2 cm)	31 5/16" (79.5 cm)	28 5/16" (71,9 cm)	30±1/16" (76,2±0,15 cm)	21 3/4" (55,2 cm) Min. 22 1/8" (56,2 cm) Max 24" (61 cm) Min. con un protector trasero.	36 5/8" (93 cm) Max. 35 5/8" (90.5 cm) min.

NOTA: Se adjunta el diagrama de cables de esta cocina al final de este libreta. Imprimido en los Estados Unidos

P/N 318201674 (0510) Rev. C

English – pages 1-11

Español – páginas 12-22

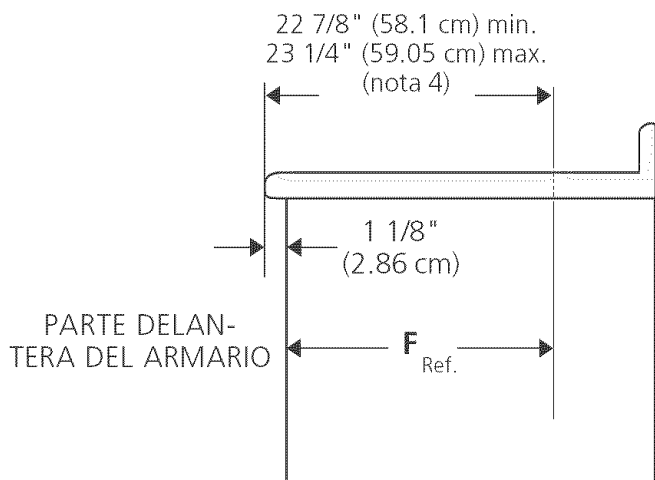
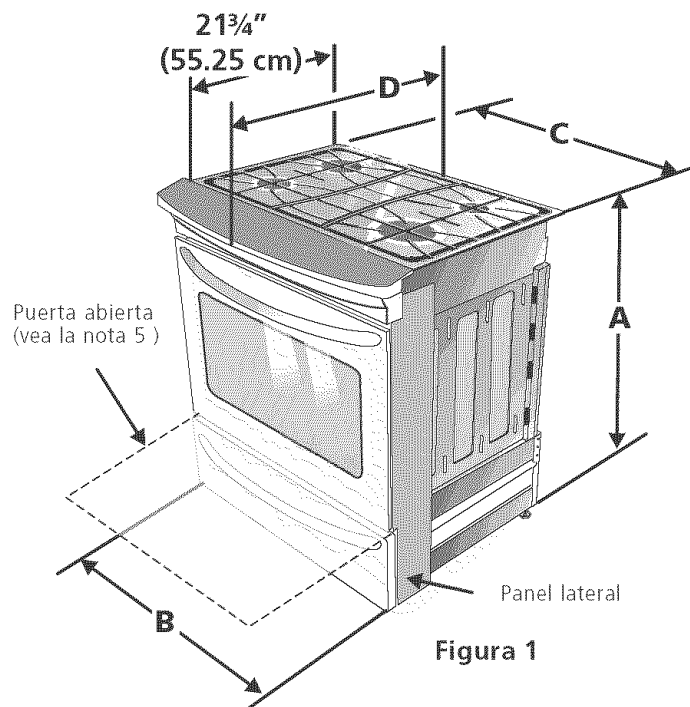
Diagrama de la instalación alámbrica – páginas 25-28

# INSTRUCCIONES DE INSTALACION DE COCINAS DE GAS DE 30"

(Modelos con quemadores sellados)

## NOTAS:

- No pellizque el cordón eléctrico o el conducto flexible de gas entre la estufa y la pared.
- No selle la estufa a los armarios de lado.
- Un espacio mínimo de 24" (61 cm) entre la superficie de la estufa y el fondo del armario cuando el fondo del armario de madera o metal está protegido por no menos de 1/4" (0.64 cm) de madera resistente al fuego cubierta por una lámina metálica de MSG, número 28, 0.015" (0.4 mm) de acero inoxidable, 0.024" (0.6 mm) de aluminio, o 0.02" (0.5 mm) de cobre.  
Un espacio mínimo de 30" (76.2 cm) cuando el armario no está protegido.
- Para los recortados menos que 22 7/8", el electrodoméstico aparecería ligeramente en el exterior del armario.
- Deje por los 19 1/4" (48.9 cm) de espacio libre para la profundidad de la puerta cuando esta abierta.



A. ALTURA	B. ANCHO	C. ANCHO DE LA PLANCHA DE COCINAR	D. PROFUNDIDAD A LA FRENTE DE LA ESTUFA	E. ANCHO DE RECORTADO*** (encima y armario)	F. PROFUNDIDAD DE RECORTADO	G. ALTURA DEL MOSTRADOR
35 5/8" (90.5 cm) - 36 5/8" (93 cm)	30" (76,2 cm)	31 5/16" (79.5 cm)	28 5/16" (71,9 cm)	30±1/16" (76,2±0,15 cm)	21 3/4" (55,2 cm) Min. 22 1/8" (56,2 cm) Max 24" (61 cm) Min. con un protector trasero.	36 5/8" (93 cm) Max. 35 5/8" (90.5 cm) min.

# INSTRUCCIONES DE INSTALACION DE COCINAS DE GAS DE 30"

(Modelos con quemadores sellados)

## Notas importantes para el Instalador

1. Lea todas las instrucciones contenidas en este manual antes de instalar la estufa.
2. Saque todo el material usado en el embalaje del compartimiento del horno antes de conectar el suministro eléctrico o de gas a la estufa.
3. Observe todos los códigos y reglamentos pertinentes.
4. Deje estas instrucciones con el comprador.

## Nota Importante para el Consumidor

Conserve estas instrucciones y el Manual del Usuario para referencia futura.

# IMPORTANTES INSTRUCCIONES DE SEGURIDAD

Instalación de esta estufa debe cumplir con todos los códigos locales, o en ausencia de códigos locales con el Código Nacional de Gas Combustible ANSI Z223.1/NFPA .54—última edición.

El diseño de esta estufa ha sido certificado por la CSA Internacional. En éste como en cualquier otro artefacto que use gas y genere calor, hay ciertas precauciones de seguridad que usted debe seguir. Estas serán encontradas en el Manual del Usuario, léalo cuidadosamente.

- Asegúrese de que la estufa sea instalada y conectada a tierra en forma apropiada por un instalador calificado o por un técnico.
- Esta estufa debe ser eléctricamente puesta a tierra de acuerdo con los códigos locales, o en su ausencia, con el Código Eléctrico Nacional ANSI/NFPA No. 70, última edición. Vea las instrucciones para la puesta a tierra en la página 4.
- Antes de instalar la estufa en un área cuyo piso este recubierto con linóleo u otro tipo de piso sintético, asegúrese de que éstos puedan resistir una temperatura de por lo menos 90°F sobre la temperatura ambiental sin provocar encogimiento, deformación o decoloración. No instale la estufa sobre una alfombra al menos que coloque una plancha de material aislante de por lo menos 1/4 pulgada, entre la estufa y la alfombra.

- Asegúrese de que el material que recubre las paredes alrededor de la estufa, pueda resistir el calor generado por la estufa.
- No obstruya el flujo del aire de combustión en la ventilación del horno ni tampoco alrededor de la base o debajo del panel inferior delantero de la estufa. Evite tocar las aberturas o áreas cercanas de la ventilación, ya que pueden estar muy calientes durante el funcionamiento del horno. La estufa requiere aire fresco para la combustión apropiada de los quemadores.

**⚠ ADVERTENCIA** Nunca deje niños solos o desatendidos en un área donde un artefacto está siendo usado. A medida que los niños crecen, enséñeles el uso apropiado y de seguridad para todos los artefactos. Nunca deje la puerta del horno abierta cuando la estufa está desatendida.

**⚠ ADVERTENCIA** No se pare, apoye o siente en las puertas o cajones de esta estufa pues puede resultar en serias lesiones y puede también causar daño a la estufa.

- No almacene artículos que puedan interesar a los niños en los gabinetes sobre la estufa. Los niños pueden quemarse seriamente tratando de trepar a la estufa para alcanzar estos artículos.
- Los gabinetes de almacenamiento sobre la estufa deben ser evitados, para eliminar la necesidad de tener que pasar sobre los quemadores superiores de la estufa para llegar a ellos.
- Ajuste el tamaño de la llama de los quemadores superiores de tal manera que ésta no sobrepase el borde de los utensilios de cocinar. La llama excesiva es peligrosa.
- No use el horno como espacio de almacenaje. Esto creará una situación potencialmente peligrosa.
- Nunca use la estufa para calentar el cuarto. El uso prolongado de la estufa sin la adecuada ventilación puede resultar peligroso.
- No almacene ni utilice gasolina u otros vapores y líquidos inflamables en la proximidad de éste o de cualquier otro artefacto eléctrico. Puede provocar incendio o explosión.
- En caso de una interrupción del servicio eléctrico, es posible de encender los quemadores de superficie a mano. Para encender un quemador de superficie, acerque un fósforo encendido del cabezal del quemador, y gire delicadamente el botón de control de superficie a LITE (encendido). Tener cuidado al encender los quemadores a mano.
- Ajuste todos los controles a la posición "OFF" (apagada) después de haber hecho una operación con tiempo programado.

### PARA MODELOS AUTOLIMPIANTES:

- Saque la asadera, alimentos o cualquier otro utensilio antes de usar el ciclo de autolimpieza del horno. Limpie todo exceso de derrame de alimentos. Siga las instrucciones de prelimpiado en el Manual del Usuario.
- A diferencia de la gama estándar cocinas de gas, **ESTA PLANCHA DE COCINA NO ES MOVIBLE**. No intente quitar la plancha de cocina.

	<b>⚠ ADVERTENCIA</b> <ul style="list-style-type: none"><li>• Todas las estufas pueden volcarse.</li><li>• Esto podría resultar en lesiones personales.</li><li>• Instale el dispositivo antivuelco que se ha empacado junto con esta estufa.</li></ul>	<b>⚠ ADVERTENCIA</b> <p>Para reducir el riesgo de que se vuelque la estufa, hay que asegurarla adecuadamente con los soportes antivuelco que se proporcionan. Para comprobar si estos están instalados y apretados en su lugar como se debe, ase el borde trasero superior de la estufa y cuidadosamente incline la hacia adelante para asegurar que la estufa se ancle.</p>
--	--	--

# INSTRUCCIONES DE INSTALACION DE COCINAS DE GAS DE 30"

(Modelos con quemadores sellados)

## 1. Construcción del armario

**⚠ PRECAUCION** Para eliminar el riesgo de quemaduras o de fuego tratando de alcanzar algo por encima de las zonas calientes, evite de colocar artículos sobre la cocina. Si cree necesitar este espacio, el riesgo puede disminuir si instala un sombrerete que proteja horizontalmente un mínimo de 5" (12.7cm) sobre la base del armario.

### Preparación del mostrador

- Las extremidades de la cocina sobrepasan el borde de su mostrador.
- Si tiene un **mostrador con las extremidades cuadradas (planas)**, no se necesita ninguna preparación del mostrador.
- **El reborde de frente de mostradores moldeados** deben tener bordes moldeados a 3/4" (1.9cm) a partir de cada extremidad de la apertura (Figura 2).
- **Los mostradores enazulejos** deberán necesitar un recorte de 3/4" (1.9 cm) a partir de cada extremidad y/o un borde redondeado aplanado (Figura 2).

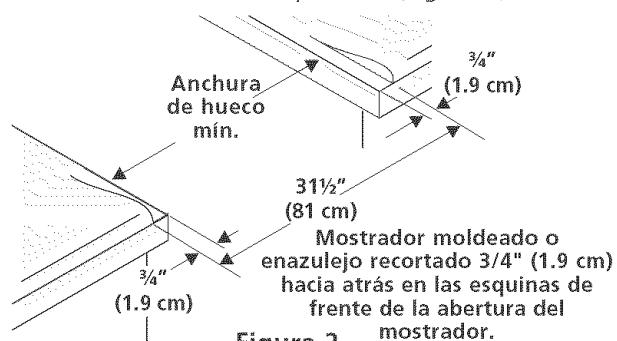


Figura 2

- Si el ancho de la apertura del mostrador es más grande que 30 1/16" (76,4 cm), ajuste a las dimensiones como para el 3/4" (1.9).
- Para la **Anchura existente del Recorte de el 29" (73.7 cm)** (Figura 3):

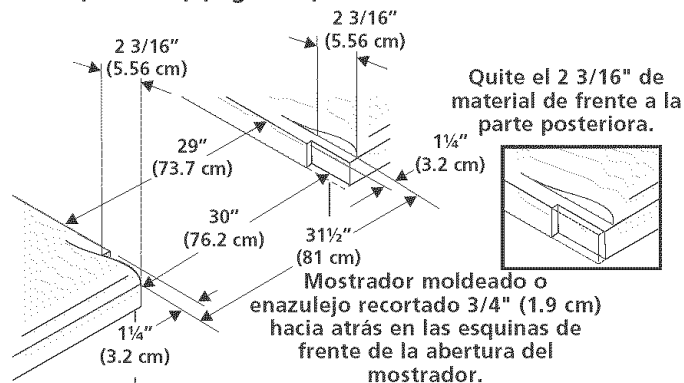


Figura 3

- **El mostrador deber ser nivelado.** Coloque un nivelador sobre el mostrador, primero de lado a lado y luego del frente hacia atrás. Si el mostrador no está nivelado, la cocina no estará nivelada. El horno debe ser nivelado para tener resultados satisfactorios al hornear. Las extremidades de la plancha de la cocina sobrepasan los bordes de la apertura del mostrador.

## 2. Proporcione un suministro de gas adecuado

Cuándo se envía de la fábrica, Esta unidad ha sido ajustada para operar con un múltiple de admisión para gas natural de 4" (10.16 cm)(1.0 kPa). Un regulador de presión convertible esta conectado a la válvula distribuidora y DEBE ser conectado con la tubería del suministro de gas. Si el juego de conversión del propano LP/Propano se ha utilizado, sigue las instrucciones proporcionadas el juego para convertir el regulador de presión al uso de LP/Propano.

se debe de tener cuidado durante la instalación de la estufa para no obstruir el flujo de aire de combustión y ventilación

Para la operación apropiada, la máxima presión de entrada al regulador no debe exceder la presión de una columna de agua de 14" (35,56 cm) (3.5 kPa). La presión de entrada al regulador debe ser por lo menos 1" (.25 kPa) más grande que la válvula distribuidora. Ejemplos: Si regulador se pone para el gas natural con una presión de 4" (10,16 cm), la presión de entrada al regulador debe ser por lo menos 5" (12.60 cm); si el regulador se ha convertido para gas LP/Propane 10" (25,4 cm) la presión de entrada al regulador debe ser por lo menos 11" (27,9 cm).

Un examen de detección de fugas del aparato debe ser realizado según las instrucciones en el paso 4.

La línea de fuente de gas debe ser de 1/2" o de 3/4".

## 3. Selle las aperturas

sella todas las aperturas en la pared detrás de la estufa y en el suelo debajo de la estufa después que la línea del suministro de gas sea instalada.

## 4. Conecte la estufa al suministro de gas

**Importante:** Quite todo el material de embalaje y literatura de la estufa antes de conectar el gas y la fuente eléctrica.

Para evitar fugas, aplique sellador de tuberías en todas

las partes roscadas machos (exterior) de la tubería. El regulador se encuentra en el lugar que se muestra en la illustration. (Figura 4)

**⚠ PRECAUCION** No permita que el regulador gire sobre la tubería al apretar las uniones.

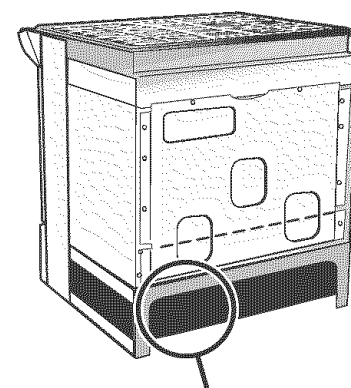


Figura 4 UBICACION DEL REGULADOR DE PRESION

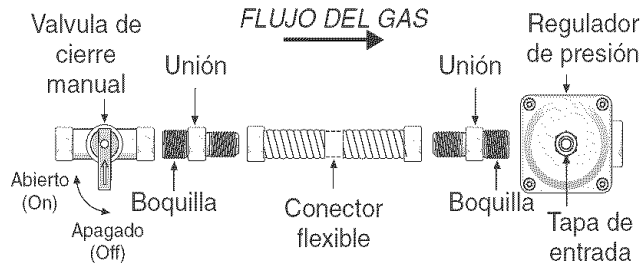
# INSTRUCCIONES DE INSTALACION DE COCINAS DE GAS DE 30"

(Modelos con quemadores sellados)

## Conecte el Regulador de Presión

El regulador de presión esta ya instalada para la estufa.

**⚠ ADVERTENCIA** No haga la conexión demasiado apretada. El regulador es de die cast. El apretar demasiado puede agrietar el regulador dando por resultado una fuga de gas y un fuego o una explosión.



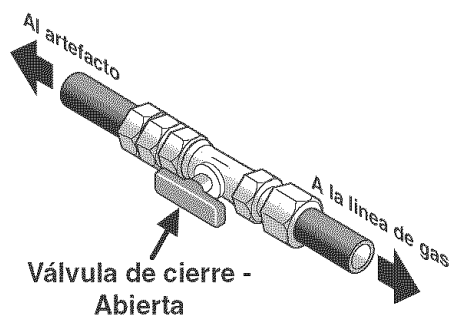
Todas las conexiones deben ser apretadas con una llave inglesa- **Figura 5**

Reúna el conector flexible del tubo del suministro de gas al regulador de la presión en la orden siguiente:

1. Válvula de cierre manual (no incluido)
2. Boquilla de 1/2" (no incluido)
3. 1/2" Adaptador de unión (no incluido)
4. Conector flexible (no incluido)
5. 1/2" Adaptador de unión (no incluido)
6. Boquilla de 1/2" (no incluido)
7. regulador de presión (incluido)

Use sellador para uniones de tuberías hecho para el uso de gas natural y LP/Propane para sellar todas las conexiones de gas. Si se utilizan los conectadores flexibles, asegúrese de que los conectadores no están enroscados.

La línea del suministro se debe de ser equipada de una válvula de cierre manual aprobada. Esta válvula se debe localizar en el mismo cuarto que la estufa y debe estar en una localización que permita la facilidad de la abertura y del cierre. No bloquee el acceso a la válvula. La válvula es para encender o apagar el gas del aparato.



**Figura 6**

Una vez que regulador está en su lugar, abra la válvula en la línea del suministro de gas. Espere algunos minutos para que el gas pueda moverse a través de la línea de gas.

**Compruebe para saber si hay fugas de gas.** Después de conectar la estufa con la fuente de gas, compruebe el electrodomestico para saber si hay fugas con un

manómetro. Si un manómetro no está disponible, gire la fuente de gas y utilice un detector líquido de fugas (o jabón y agua) en todos los empalmes y conexiones has la comprobación para fugas.

**⚠ ADVERTENCIA** No utilice una llama para verificar fugas en las conexiones de gas. Verificar para fugas con una llama puede tener como resultado un fuego o la explosión.

**Apriete todas las conexiones** como necesario para prevenir fugas de gas en la superficie de la estufa o en la línea de suministro.

**Desconecte la estufa y su válvula de cierre manual** del sistema de tubería del suministro de gas durante cualquier prueba de presión de ese sistema a presiones mayores de 1/2 psig (3,5 kPa o 14" columna de agua).

**Aísle la estufa del sistema de tubería del suministro de gas** cerrando su válvula de cierre manual durante cualquier prueba de presión del sistema de tubería del suministro de gas prueba de presión iguala a o a menos de 1/2 psig (3,5 kPa o 14" columna de agua).

## 5. Conversión para uso de Propano Líquido

Este aparato puede ser usado con gas natural o propano líquido. Ha sido ajustado en la fábrica para operar con gas natural solamente.

Si desea convertir su estufa para uso con propano líquido, use los orificios provistos ubicados en el bolso que contiene la literatura titulada "FOR LP/PROPANE GAS CONVERSION." Siga las instrucciones que vienen con los orificios.

La conversión debe ser efectuado por un técnico de servicio capacitado, de acuerdo con las instrucciones del fabricante y con todos los códigos y requisitos de las autoridades correspondientes. El no seguir las instrucciones podría dar como resultado lesiones graves o daños a la propiedad. El organismo autorizado para llevar a cabo este trabajo asume la responsabilidad de la conversión.

**⚠ ADVERTENCIA** La falta de una conversión apropiada puede resultar en lesiones graves y daños a la propiedad.



# INSTRUCCIONES DE INSTALACION DE COCINAS DE GAS DE 30"

(Modelos con quemadores sellados)

## 6. Requisitos eléctricos

120 voltio, 60 Hertzio, circuito dedicado apropiadamente puestos a tierra protegido por un circuito de amperio o fusible de demora de tiempo de 15 amp. **Nota:** no es recomendado instalarlo con un Interruptor (GFI) de puesta a tierra.

**No utilice una extensión con esta estufa.**

### Instrucciones de puesta a tierra

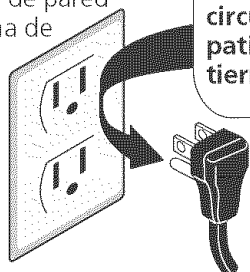
**IMPORTANTE** Por favor lea con cuidado.

**Para la seguridad personal, este aparato debe ser puesto a tierra apropiadamente.**

El cable del suministro eléctrico de esta estufa está equipado con un enchufe de tres patillas (para puesta a tierra) que coincida con un enchufe de pared estándar con puesta a tierra de tres patillas para minimizar la posibilidad que se produzcan descargas eléctricas. El cliente deberá encargar a un técnico para asegurarse de que el enchufe se encuentra debidamente conectado a tierra y polarizado.

#### Método preferido

Enchufe de pared con toma de tierra



No corte, retire o deribe, bajo ninguna circunstancia, la patilla de la toma de tierra del enchufe

Cable de suministro eléctrico con enchufe con toma de tierra

Figura 7

En lugares en los que aya un enchufe de pared estándar de dos patillas, el cliente tendrá responsabilidad directa y la obligación de reemplazarlo por un enchufe de pared de tres patillas debidamente cableado a tierra.

**Bajo ninguna circunstancia, corte, retire o deribe la tercera patilla (de toma de tierra) del cable del suministro de energía eléctrica.**

**⚠ ADVERTENCIA** Desenchufa el cable del suministro de energía eléctrica del enchufe de pared antes de mantener la plancha de cocina.

## 7. La mudanza del aparato para reparaciones o limpieza

Apague la corriente eléctrica a la estufa a la fuente de poder principal, y apague la válvula de cierre manual de gas. Asegúrese de que la estufa esté fresca. Quite el cajón de servicio (el cajón calentador en algunos modelos) y abra la puerta del horno. Levante la frente de la estufa y deslícela fuera de la abertura sin crear tensión desmedida sobre el conducto flexible de gas. Asegúrese de no pellizque el conducto flexible de gas detrás de la estufa al reemplazar la unidad en la abertura. Reemplace el cajón, cierre la puerta y enciende el gas y la corriente eléctrica a la estufa.

## 8. Instalación de la cocina

**Nota importante:** No es necesario, pero sí es conveniente, quitar la puerta para instalar el horno. Consulte las instrucciones para retirar la puerta en la Guía de Uso y Cuidado.

**Instalación estandard.**

1. La plancha de cocinar se sobrepone por encima del mostrador con sus extremidades y la cocina reposa sobre el suelo. La plancha de cocinar es 31 1/2" (81 cm) de ancho.
2. Instale la base de los armarios a 30" (76.2 cm) de espacio entre ellas. Asegúrese que estos esten verticales y alineados antes de instalar la plancha de cocinar. Lije el borde del mostrador para obtener las 31 1/2 (81 cm)" en la parte superior del mostrador.
3. Instale las puertas del armario a 31" (78,7 cm) de espacio entre ellas para que no interfieran con la abertura de la puerta de la cocina.
4. Corte el mostrador exactamente como en la página 1.
5. Puede pedir un juego de repuesto con su representante.

**Para los modelos equipado con un sistema de dispositivo de nivelación:**

6. Cuando desempaque la cocina, el dispositivo trasero para nivelarla se encuentra al más alto nivel al cual puede llegar. Asegúrese que las patas delanteras esten también al más alto nivel.
7. **⚠ PRECAUCION** Instale el soporte anti-inclinación de acuerdo a las instrucciones del patrón anti-inclinación ( si no lo tiene vea la página 19).
8. Para una instalación óptima, la superficie superior de la mesada debe estar nivelada y ser plana (sobre el mismo plano) en los 3 lados adyacentes a la cocina. Se deben hacer los ajustes correspondientes para hacer que la parte superior quede plana, de lo contrario podrán quedar espacios entre la mesada y la cocina.
9. **⚠ PRECAUCION** Para reducir el riesgo de dañar su artefacto, no lo manipule cerca del vidrio cerámico. Manipúlelo con cuidado.
10. Coloque la cocina enfrente de la abertura del armario.
11. Asegúrese de que el vidrio que está colgado sobre la mesada deje despejada la mesada. Si es necesario, levante la unidad bajando las patas de nivelación.
12. Deslice la cocina en la abertura para el corte.
13. **Nivele la cocina** (vea Nivelación de la estufa). El piso donde se instala la cocina debe estar nivelado. Siga las instrucciones "nivelación de la estufa-modelos equipado con un sistema de dispositivo de nivelación").
14. Ajuste a las piernas de nivelación de manera que la parte de abajo de la plancha de cocinar está apoyada contra el mostrador.
15. Atornille con cuidado en la pata de nivelación trasera hasta que el vidrio que está colgado toque levemente la mesada. El vidrio debe soportar el peso de la unidad.
16. Luego, atornille con cuidado en las dos patas de nivelación anteriores (igual a 15) hasta que el vidrio

# INSTRUCCIONES DE INSTALACION DE COCINAS DE GAS DE 30"

(Modelos con quemadores sellados)

que está colgado toque levemente la mesada.

## Para los modelos equipado con las patas niveladoras:

6. Para una instalación óptima, la superficie superior de la mesada debe estar nivelada y ser plana (sobre el mismo plano) en los 3 lados adyacentes a la cocina. Se deben hacer los ajustes correspondientes para hacer que la parte superior quede plana, de lo contrario podrán quedar espacios entre la mesada y la cocina.
7. **PRECAUCION** Para reducir el riesgo de dañar su artefacto, no lo manipule cerca del vidrio cerámico. Manipúlelo con cuidado.
8. Coloque la cocina enfrente de la abertura del armario.
9. Asegúrese de que el vidrio que está colgado sobre la mesada deje despejada la mesada. Si es necesario, levante la unidad bajando las patas de nivelación.
10. **Nivele la cocina** (vea Nivelación de la estufa). El piso donde se instala la cocina debe estar nivelado. Siga las instrucciones "nivelación de la estufa- modelos equipado con las patas niveladoras".
11. Ajuste a las piernas de nivelación de manera que la parte de abajo de la plancha de cocinar está apoyada contra el mostrador.
12. Atornille con cuidado en la pata de nivelación trasera hasta que el vidrio que está colgado toque levemente la mesada. El vidrio debe soportar el peso de la unidad.
13. Luego, atornille con cuidado en las dos patas de nivelación anteriores (igual a 12) hasta que el vidrio que está colgado toque levemente la mesada.
14. Deslice la cocina en la abertura para el corte.
15. Si la estufa no está nivelada, arranque el electrodoméstico y vuelva a ajustar a las piernas o asegúrese que el suelo está nivelado.

## Instalación para la Anchura existente del Recorte de el 29" (73.7 cm):

1. Usted debe substituir los paneles laterales reales por los paneles laterales nuevos y más pequeños. Paneles laterales puede ser pedido con su representante.
2. Siga la fuente de las instrucciones con sus paneles laterales nuevos para substituir los paneles laterales reales por los nuevos.
3. Compruebe si el mostrador está preparado para la abertura amplia del recorte del 29".
4. Instale la estufa.

## Instalación con el repuesto.

La profundidad del corte de (21 3/4" (55.2 cm) Min., 22 1/8" (56.2cm) Max.) necesita ser aumentada a 24" (61 cm) cuando instala el repuesto.

## Instalación con el juego de termino de panel.

Un juego de termino de panel puede ser pedido con su representante.

## Instalación con Paneles Laterales Llenos

Paneles Laterales puede ser pedido con su representante. Instale las puertas de los armarios a 31" (78.7 cm) de espacio entre ellas para que no interfieran con la abertura de la puerta de la cocina.

## 9. Nivelación de la estufa

### Para los modelos equipado con un sistema de dispositivo de nivelación.

Nivele la cocina después de haberla instalado en la abertura del mostrador.

1. Abra la gaveta.
2. Baje el aparato, las 4 patas de nivelación alternadamente, hasta que la parte baja de la superficie de cocción repose sobre el mostrador (Figura 8).
3. Verifique si la cocina está nivelada colocando una parrilla en el centro del horno y poniendo un nivel sobre esta (Figura 9).
4. Mida dos veces con el nivel en posición diagonal en una dirección y luego en otra. Nivele la cocina si es necesario ajustando las patas de nivelación.
5. Si al cocina no se nivela, asegúrese que el piso este nivelado.

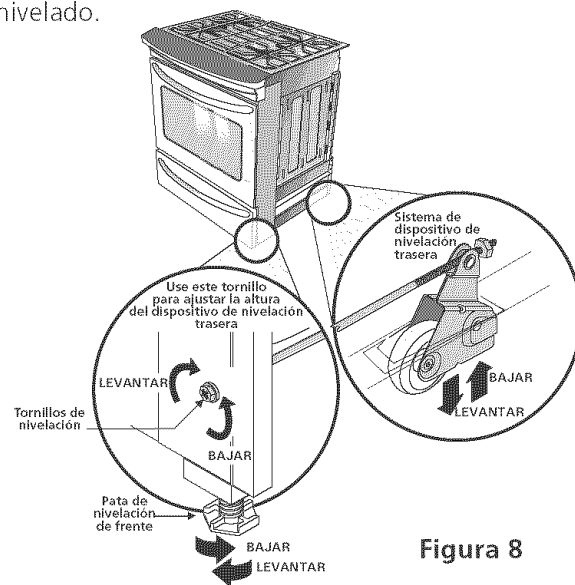


Figura 8

### Para los modelos equipado con las patas niveladoras.

Nivele la estufa y ajuste la altura de la estufa antes de instalarla en la abertura.

1. Coloque una parrilla del horno en el centro del horno.
2. Ponga un nivel sobre la parrilla (Figura 9). Tome dos lecturas con el nivel puesto diagonalmente en una dirección y después en la otra. Nivele la estufa, si es necesario, ajustando las 4 patas niveladoras con una llave de tuercas (Figura 18).
3. Asegúrese de no dañar al mostrador, deslice la estufa dentro de la abertura del hueco y vuelva a verificar a la nivelación.

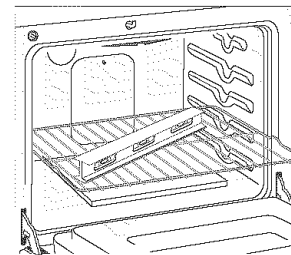


Figura 9

# INSTRUCCIONES DE INSTALACION DE COCINAS DE GAS DE 30"

(Modelos con quemadores sellados)

## 10. Instalación de Accesorio Decorativo Trasero (si se requiere)

1. Desconecte la alimentación del aparato.
2. Asegúrese de que el aparato esté nivelado.
3. Tire la cocina hacia usted.
4. Tome la distancia entre el piso y la superficie debajo del marco de la parte superior de la cocina.
5. Marque la distancia sobre la pared donde instalará el accesorio decorativo.
6. Dibuje una línea.
7. Coloque la parte superior del accesorio decorativo debajo de esa línea.
8. Utilizando los tornillos provistos con este juego, fije el accesorio decorativo a la pared.
9. Deslice el aparato hacia atrás hasta que quede en la posición deseada y encienda la alimentación (la parte inferior de la parte superior de la cocina debe estar ubicada sobre el accesorio decorativo).

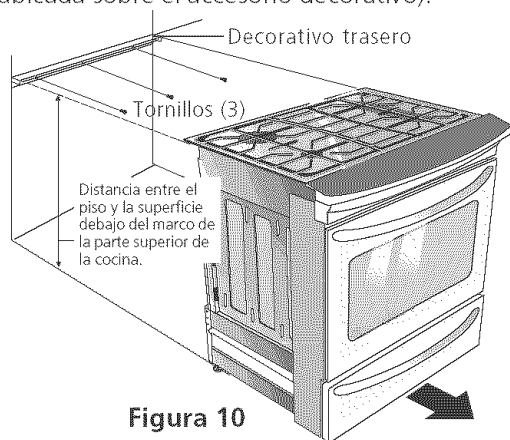


Figura 10

## 11. Comprobación del funcionamiento

Consulte el Manual del Usuario incluido con la estufa para instrucciones de operación y instrucciones para el cuidado y limpieza de su estufa.

No toque los elementos o quemadores. Pueden estar bastante calientes para causar quemaduras.

Quite todo el embalaje de la unidad antes de comprobarla.

### 11.1 Instala las Bases y las tapas de los Quemadores

Esta estufa está equipada con quemadores sellados como mostrado (vea la Figura 11).

- a. Desembale las bases y las tapas de los quemadores.
- b. Coloque una basa de quemador sobre cada abertura de gas.
- c. Asegurese que el quemador está correctamente alineado y nivelado. Coloque las tapas de los quemadores sobre las correctas bases de quemadores.

**NOTA:** No hace falta ningún ajuste de quemador en esta estufa.

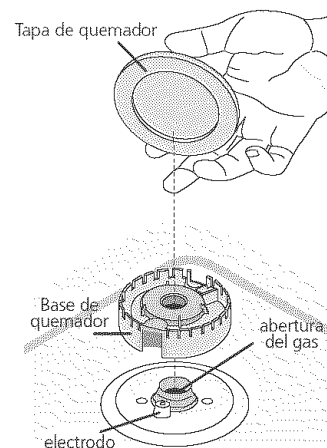


Figura 11

### 11.2 Enciende la corriente eléctrica y abre la válvula principal de cierre.

### 11.3 Comprobación de los Encendedores

El funcionamiento de los encendedores eléctricos debe ser comprobado después de que la estufa y los conectores a la tubería de suministro de gas hayan sido comprobados para las fugas y la estufa haya sido conectada eléctricamente. Para comprobar que el encendido sea correcto:

- a. Empuje y gire un botón control del quemador superior hasta la posición LITE (encender). Se podría oír el encendedor haciendo chispas.
- b. El quemador se deberá encender en cuatro (4) segundos para un funcionamiento normal, después de que el aire haya sido purgado de la tubería de suministro de gas. Controle visualmente que el quemador se haya encendido.
- c. Después de que el quemador se haya encendido, la plancha de cocina debe ser girada fuera de la posición LITE. Cada quemador tiene su encendedor individual. Controle las perillas separadamente hasta que todas las válvulas hayan sido controladas.

### 11.4 Ajuste de la Posición LOW (BAJA) Para la Válvula del Quemador Superior (Figura 12)

- a. Gire el botón de control a la posición LITE (encender) hasta que el quemador encienda.
- b. **Rápidamente** gire el botón de control a la POSICION MAS BAJA.
- c. Si el quemador se apaga, reajuste la válvula de la siguiente forma: Mueva el control a la posición OFF (apagada). Saque la perilla de control del quemador superior, inserte un destornillador plano pequeño en el hueco del vástago del a válvula hasta enganchar el tornillo interior. El tamaño de la llama puede ser aumentado o disminuido girando el tornillo. Ajuste el tamaño de la llama hasta que pueda pasar rápidamente de la posición LITE hasta la posición MAS BAJA sin que se apague la llama. La llama debe ser lo más pequeña posible sin que se apague.

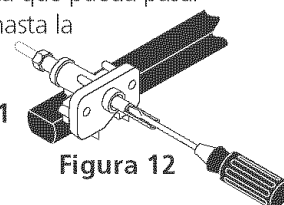


Figure 11

Figura 12

# INSTRUCCIONES DE INSTALACION DE COCINAS DE GAS DE 30"

(Modelos con quemadores sellados)

## 11.5 Operación de Quemadores del Horno y Ajustes de Horno

### 11.5.1 Quemador de ignición eléctrica

La operación de los encendedores eléctricos debe de ser revisada después de que la cocina y los conectores de la línea de suministro haya sido cuidadosamente revisada para descartar fugas y que la cocina haya sido conectada a la corriente eléctrica.

El quemador del horno está equipado con un sistema de control eléctrico así como un encendedor de quemador de horno eléctrico. Si su modelo esta equipado con un quemador de asado central superior, también contará con un encendedor de quemador eléctrico. Estos sistemas de control no requieren ajustes. Cuando el horno esta configurado para operar, la corriente fluirá hacia el encendedor y tendrá un resplandor de manera similar a una bombilla de luz. Cuando el encendedor a alcanzado una temperatura suficiente para encender el gas, la válvula del horno controlada eléctricamente se abrirá y el fuego aparecerá en el quemador del horno. hay un lapso de tiempo de 30 a 60 segundos después de que el termostato se enciende y antes de que la llama aparezca en el quemador del horno. Cuando el horno alcanza la configuración del dial, el encendedor resplandeciente se apagará. la llama del quemador desaparecerá por 20 a 30 segundos después de que el encendedor se apage. Para mantener cualquier temperatura de horno dada, este ciclo continuará tanto como el dial (o visualizador) esté configurado para operar.

Después de retirar todos los materiales del empaque y la literatura del horno:

- Fije el horno en HORNEAR (BAKE) a 300°F. Vea la guía de Uso y Cuidado para conocer las instrucciones de funcionamiento.
- En 60 segundos el quemador del horno se encenderá. Revise que exista un fuego adecuado, y permita que el quemador cumpla su ciclo una vez. Gire los controladores hacia off (APAGADO).
- Si su modelo esta equipado con un asador central superior, fije el horno en ASAR. Vea la Guía de Uso y Cuidado para conocer las instrucciones de funcionamiento.
- En 60 segundos el quemador de asar debe de encenderse. Revise si exista una llama adecuada. Gire los controles hacia off (APAGADO).

### 11.5.2 Obturador del Aire - Quemador del horno

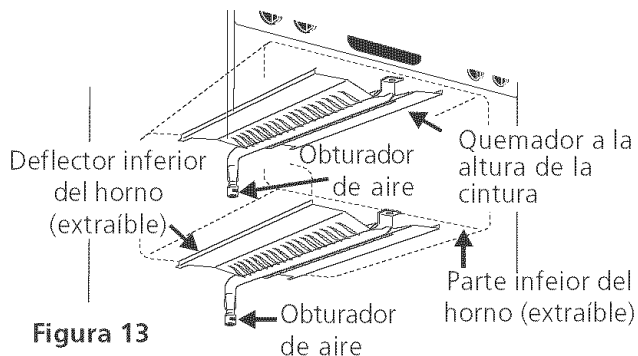


Figura 13

La longitud aproximada de la llama del quemador del horno es 1 pulgada (interior claro, llama azul). Para determinar si la llama del quemador de horno es la adecuada, retire el fondo del horno y el deflector del quemador i fije el horno en la opción hornear a 300°F.

Para retirar el fondo del horno, retire los tornillos de ajuste del horno en la parte posterior del fondo del horno. jale hacia arriba, desenganche el frente del fondo del marco anterior del horno, y jale la base hacia a fuera de éste. retire el deflector del quemador de manera que la llama del quemador pueda ser observada.

Si la llama es de color amarillo, aumente el tamaño de la abertura del obturador de aire (Vea el tamaño "2" en el gráfico de abajo). Si la llama es de azul claro, reduzca el tamaño de la abertura del obturador de aire. Para ajustar un tornillo de cierre flojo (Vea el gráfico "3" de arriba), vuelva a colocar el obturador de aire, y ajuste el tornillo de cierre. Reemplace el fondo del horno.

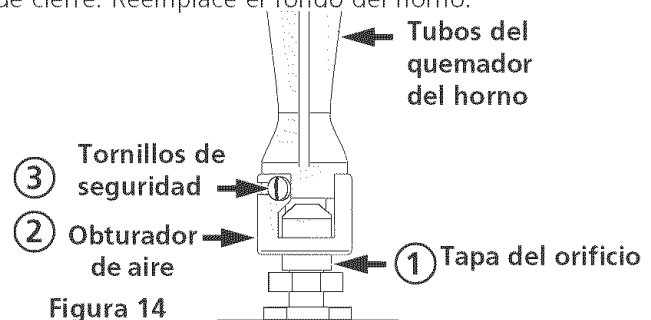


Figura 14

### 11.5.3 Obturador de aire - Quemador de asado

La longitud aproximada de la llama del quemador de asado es 1 pulgada (interior claro, llama azul). Para determinar si la llama del quemador de asado es la adecuada, poner el horno en la opción asar.

Si la llama es de color amarillo, aumente el tamaño de la abertura del obturador de aire (Vea el tamaño "2" en el gráfico de abajo). Si la llama es de azul claro, reduzca el tamaño de la abertura del obturador de aire, y ajuste el tornillo de cierre.

### Después de Terminar la Instalación

Asegúrese de que todos los controles estén en la posición OFF (apagada).

Asegúrese de que el flujo del aire de combustión y de ventilación a la estufa no esté obstruido.

### Ubicación del Número de Modelo y de Serie

La placa con el número de serie está ubicada en el marco delantero del horno detrás de la puerta del horno (algunos modelos) o detrás del cajón (algunos modelos).

Cuando haga pedidos de repuestos o solicite información con respecto a su estufa, esté siempre seguro de incluir el número de modelo y de serie y el número o letra del lote de la placa de serie de su estufa.

La placa con el número de serie también le da la potencia nominal de los quemadores, el tipo de combustible y la presión a la cual fué ajustada la estufa en la fábrica.

# INSTRUCCIONES DE INSTALACION DE COCINAS DE GAS DE 30" (Modelos con quemadores sellados)

## Antes de Llamar al Servicio

Lea la sección Evite Llamadas de Servicio en su Manual del Usuario. Esto le podrá ahorrar tiempo y gastos. Esta lista incluye ocurrencias comunes que no son el resultado de defectos de materiales o fabricación de este artefacto.

Lea la garantía y la información sobre el servicio en su Manual del Usuario para obtener el número de teléfono gratuito y la dirección del servicio. Por favor llame o escriba si tiene preguntas acerca de su estufa o necesita repuestos. Refere a el guío Uso y Cuido para los numeros de telephono del Servicio de Sears o llame al 1-888-SU-HOGAR.

## 12. Instrucciones de instalación de la fijación anti-inclinación - Modelos con una cubierta ceramico vidriado Para los modelos equipado con un sistema de dispositivo de nivelación.

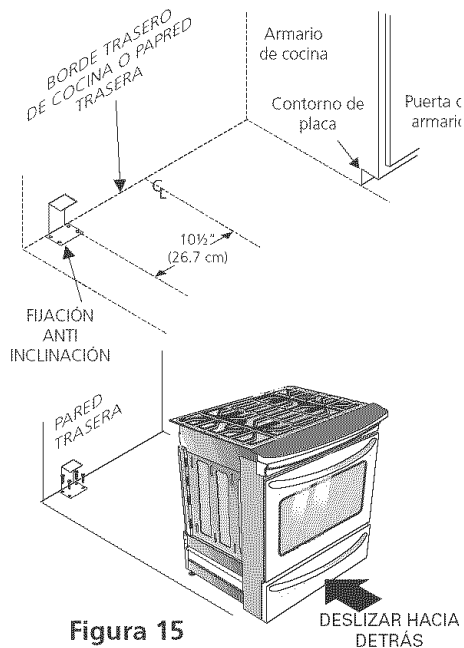
**⚠️ ADVERTENCIA** Para reducir el riesgo de inclinación de la cocina, ésta debe ser asegurada hacia el piso con las fijaciones de anti-inclinación y los tornillos que vienen con la cocina. Estos componentes se encuentran en el horno. Si no instala las fijaciones, corre el riesgo que su cocina pueda inclinarse si pone demasiado peso en ella o si un niño sube sobre ésta. Esto podría ocasionar graves heridas causadas por líquidos calientes o por la propia cocina.

Siga estas instrucciones para instalar las fijaciones de anti-inclinación.

Si la cocina es trasladada a otro lugar, las fijaciones de anti-inclinación deben también ser trasladados con la cocina.

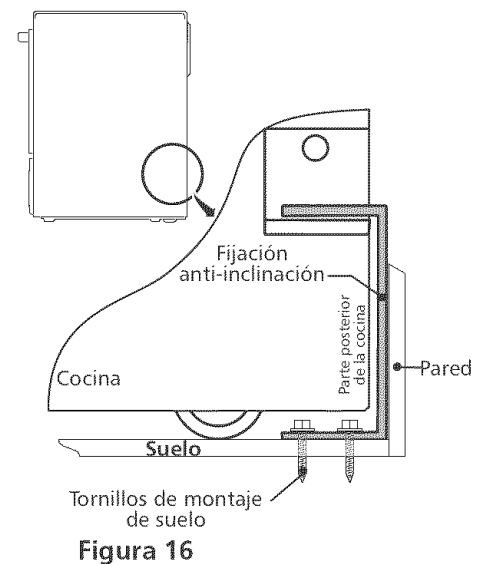
### Herramientas necesarias:

Llave de tuerca ajustable, Trinquete, Taladro eléctrico con barrena de 1/8" (0,32 cm), Aprietatuercas de 5/16" (0,8 cm) Nivel



Abrazadera sujeta al suelo en la parte trasera de la cocina para tener asida la parte posterior de la cocina. Al fijarla al suelo, verificar que los tornillos no atraviesen la instalación eléctrica o de fontanería. Los tornillos provistos sirven para madera o concreto.

1. Dibujar una línea central en el piso donde se instalará la cocina. Si no hay pared posterior, dibujar otra línea en el piso que corresponda a la parte posterior de la cocina.
2. Desplegar el molde de papel y colocarlo alisado sobre el piso con el vértice posterior derecho posicionado exactamente en la intersección de las líneas central y posterior dibujadas anteriormente. (Si no se dispone de un molde, usar el diagrama incluido a continuación para ubicar las ménsulas (Figura 15)).
3. Marque en el suelo la ubicación de los cuatro orificios de montaje que aparecen en el modelo. Para facilitar la instalación se pueden hacer en el suelo orificios pilotos de 3/16" (0,48 cm) de diámetro de 1/2" (1,27 cm) de profundidad.
4. Retire el modelo y ubique la abrazadera en el suelo. Alinee los orificios en la abrazadera con las marcas en el suelo y ajuste con los cuatro tornillos provistos. La abrazadera debe quedar fijada al suelo (Figura 16) sólido. Si se fija al suelo concreto, primero haga orificios pilotos de un diámetro de 3/16" (0,48 cm), utilizando una barrena para concreto.
5. Asegúrese que las 4 patas de nivelación están en la más alta posición posible.
6. Deslice la cocina hacia su lugar asegurándose que la pata de centro trasera está completamente segura con el soporte anti-inclinación (Figura 15). Baje la cocina ajustando las 4 patas de nivelación hasta que la plancha de cocinar está apoyada en el mostrador. Refiere a la "Nivelación de la cocina" a la página 6.
7. Después de haber realizado la instalación verifique que la fijación anti-inclinación está empotrada. Usted también puede asir el borde trasero de la cima de la estufa y cuidadosamente intentar voltearla para asegurarse de que la estufa sea adecuadamente anclada.



# INSTRUCCIONES DE INSTALACION DE COCINAS DE GAS DE 30"

(Modelos con quemadores sellados)

## Para los modelos equipado con las patas niveladoras.

**⚠️ ADVERTENCIA** Para reducir el riesgo de inclinación de la cocina, ésta debe ser asegurada hacia el piso con las fijaciones de anti-inclinación y los tornillos que vienen con la cocina. Estos componentes se encuentran en el horno. Si no instala las fijaciones, corre el riesgo que su cocina pueda inclinarse si pone demasiado peso en ella o si un niño sube sobre ésta. Esto podría ocasionar graves heridas causadas por líquidos calientes o por la propia cocina.

Siga estas instrucciones para instalar las fijaciones de anti-inclinación.

Si la cocina es trasladada a otro lugar, las fijaciones de anti-inclinación deben también ser trasladados con la cocina. Para controlar la instalación apropiada, vea el paso número 5.

### Herramientas Necesarias:

Llave de tuerca de 5/16" (0,79 cm) o destornillador para tornillos de cabeza plana  
Llave inglesa  
Taladro eléctrico  
Broca de 3/16" (0,48 cm) de diámetro  
Broca para taladro de mampostería de 3/16" (0,48 cm) de día. (si se está instalando en concreto)

Los soportes se fijan al suelo en la parte trasera de la estufa para sujetar ambos niveladores de las patas traseras. Cuando los esté instalando al piso, asegúrese de que los tornillos no penetren el alambrado eléctrico o plomería. Los tornillos provistos pueden utilizarse en madera o concreto.

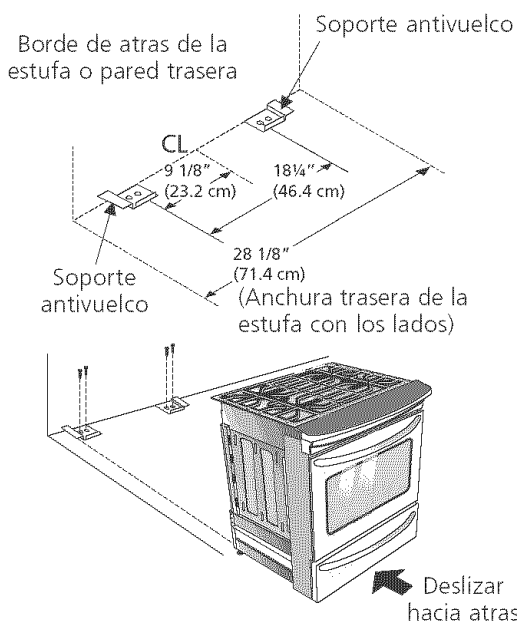


Figura 17

1. Desdoble la plantilla de papel y colóquela plana en el piso con los bordes laterales y el trasero colocados exactamente donde la parte trasera y los lados de la estufa serán colocados cuando sea instalada. (Use el diagrama siguiente para ubicar los soportes si no se dispone de la plantilla (Figura 17)).
2. Marque en el piso la ubicación de los 4 agujeros de montaje como se muestra en la plantilla. Para facilitar la instalación, se pueden taladrar agujeros piloto de 3/16" (0.5 cm) de día. y 1/2" (1.3 cm) de profundidad en el piso.
3. Saque la plantilla y coloque los soportes en el piso con la brida hacia arriba dirigida hacia el frente. Alinee los agujeros en los soportes con las marcas en el piso y sujete con los 4 tornillos provistos. Los soportes deben estar asegurados al piso firme. Si se va a instalar en piso de concreto, primero debe taladrar agujeros guía de 3/16" (0.5 cm) de diámetro usando una broca para taladro de mampostería.
4. Nivele la estufa si es necesario ajustando las cuatro patas niveladoras con una llave (Ver la Figura 18 abajo). Se requiere un espacio libre mínimo de 1/8" (0.8 cm) entre la parte inferior de la estufa y los niveladores de las patas traseras para dejar espacio para los soportes antivuelco.
5. Deslice la estufa a su lugar asegurándose de que las patas traseras estén sujetas por los extremos de los soportes. La estufa puede necesitar ser movida ligeramente a un lado cuando está siendo empujada hacia atrás para permitir que las patas se alineen con los soportes. Usted también puede asir el borde trasero de la cima de la estufa y cuidadosamente intentar voltearla para asegurarse de que la estufa sea adecuadamente anclada.

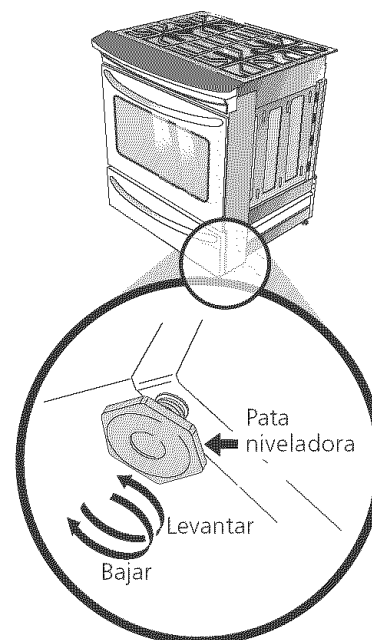


Figura 18

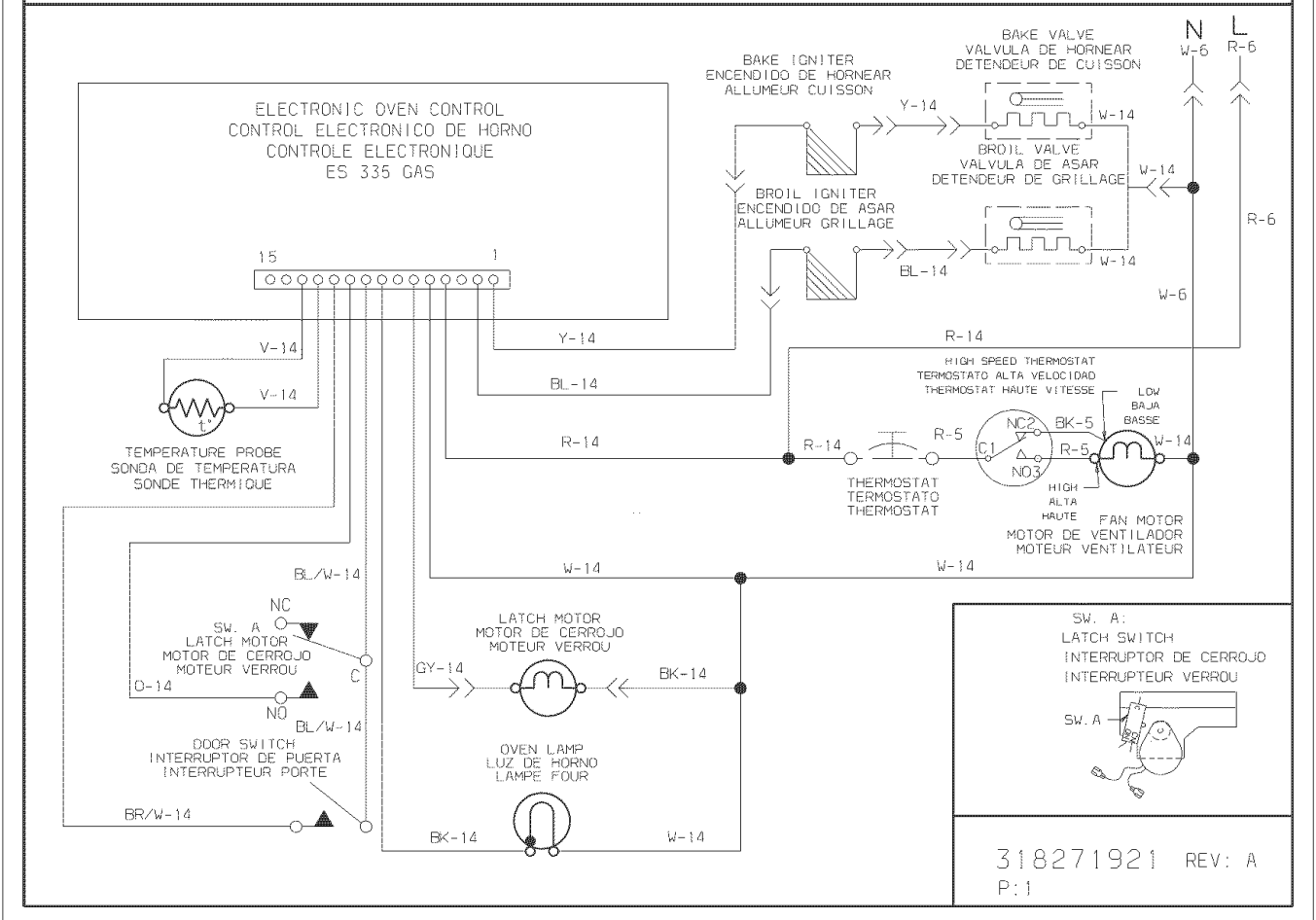
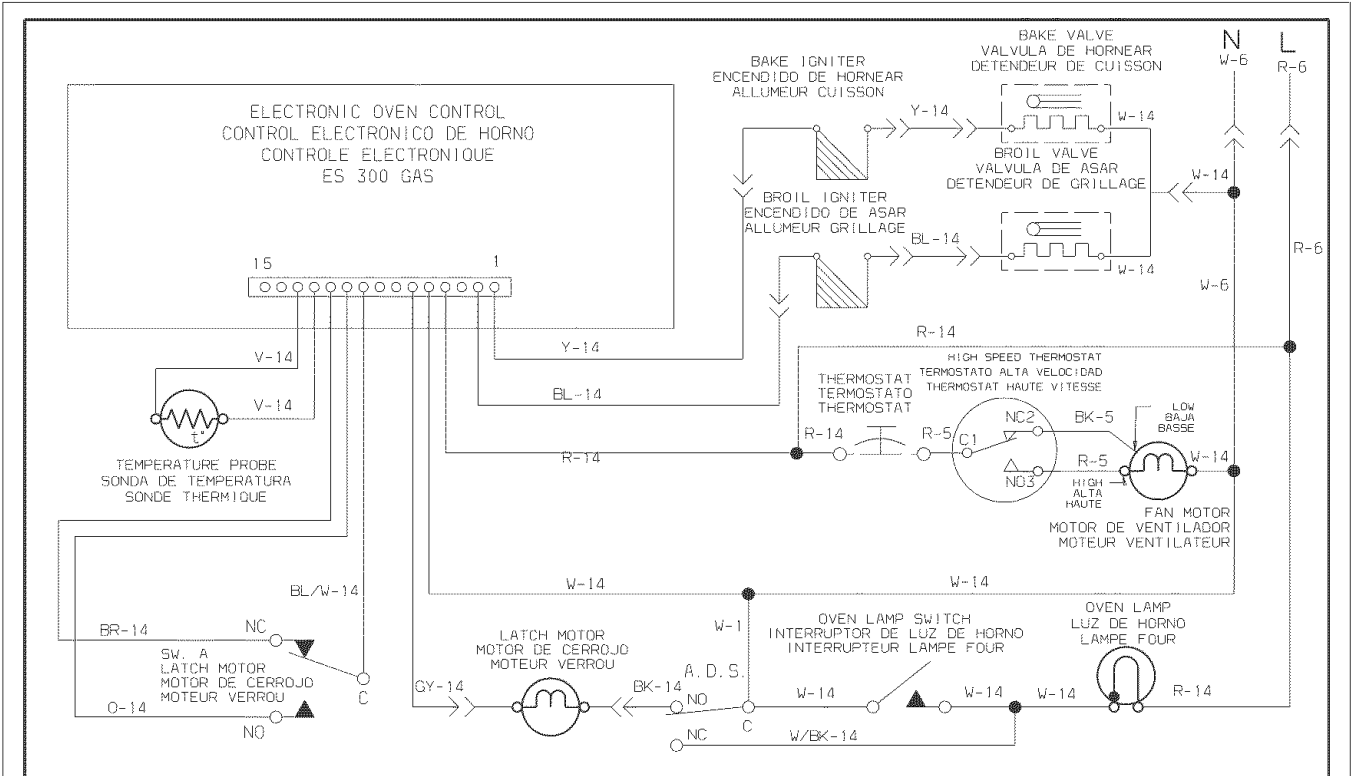
## NOTAS

## NOTAS



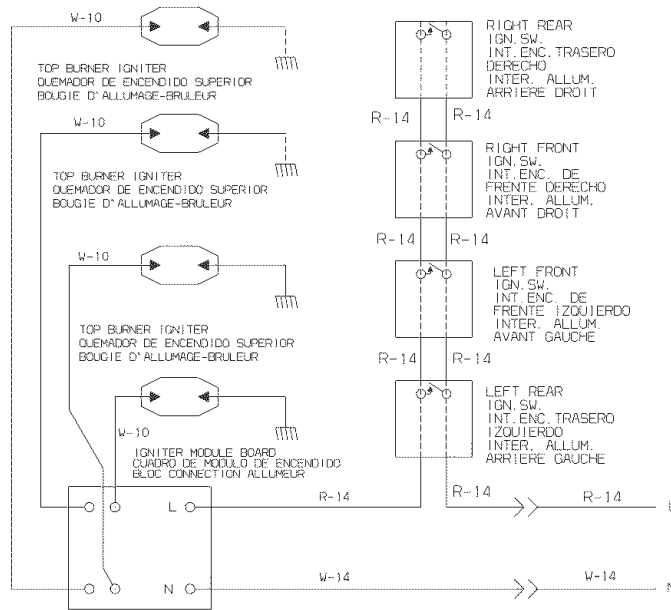
# INSTRUCCIONES DE INSTALACION DE COCINAS DE GAS DE 30"

(Modelos con quemadores y horno) (Models with burners and oven)



# WIRING DIAGRAM - DIAGRAMA DE LA INSTALACIÓN ALÁMBRICA (Models - Modelos 790.3668\*)

COOKTOP CIRCUIT/CIRCUITO DE PLANCHA DE COCINAR/  
CIRCUIT TABLE CUISSON



### WARNING/AVISO/AVERTISSEMENT

DISCONNECT POWER BEFORE SERVICING UNIT/  
DESCONECTE LA ENERGIA ANTES DE REALIZAR  
EL MANTENIMIENTO DEL ELECTRODOMESTICO/  
COUPER LE COURANT AVANT D'EFFECTUER  
LA REPARATION.

W-10

WIRES COLOR NO./NO. DE COLOR DE ALAMBRE/NO. COULEUR DES FILS

### COLOR CODE/CODIGOS/CODE COULEUR

BK	BLACK/NEGRO/NOIR	P	PINK/ROSA/ROSE
BL	BLUE/AZUL/BLEU	PR	PURPLE/PURPUREO/POURPRE
BR	BROWN/MORENO/BRUN	R	RED/ROJO/ROUGE
C	COPPER/COBRE/CUIVRE	T	TAN/TOSTADO/TAN
G	GREEN/VERDE/VERT	V	VIOLET/VIOLETA/VIOLET
GY	GRAY/GRAY/GRIS	W	WHITE/BLANCO/BLANC
O	ORANGE/NARANJA/ORANGE	Y	YELLOW/AMARILLO/JAUNE
BL/W	BLUE/WHITE STRIPE/RAYAS AZUL BLANCA/STRIE BLEU/BLANC		

CODE	GAUGE/MEDIDA CALIBRE	TEMP. °C	STYLE/MODO/STYLE CSA	UL
1	18	125	CL1251	3173
2	16	125	CL1251	3173
3	14	125	CL1251	3173
4	12	125	CL1251	3173
5	18	150	EXL-150	3321
6	16	150	EXL-150	3321
7	14	150	EXL-150	3321
8	12	150	EXL-150	3321
9	10	150	EXL-150	3321
10	18	200	SEW-1	3122
11	16	200	SEW-1	3122
12	12	250		3252
13	16	250		3252
14	20	150	EXL-150	3321
15	8	150	EXL-150	3321
16	8	60		
17	10	60		
18	10	200	SEW-1	3122
19	20	125	CL1251	3173

### CAUTION:

LABEL ALL WIRES PRIOR TO DISCONNECTION WHEN SERVICING CONTROLS.  
WIRING ERROR CAN CAUSE IMPROPER AND DANGEROUS OPERATION.  
VERIFY PROPER OPERATION AFTER SERVICING.

### AVISO:

ETIQUETE TODOS LOS ALAMBRES ANTES DE DESCONECTAR PAR  
REALIZAR ET MANTENIMIENTO DE LOS CONTROLES. ERROR DE  
ALAMBRAJE PUEDE CAUSAR UN FUNCIONAMIENTO INCORRECTO  
Y PELIGROSO. VERIFIQUE SI EL FUNCIONAMIENTO ESTA  
CORRECTO DESPUES DEL MANTENIMIENTO.

### AVERTISSEMENT:

ETIQUETER CHAQUE FIL AVANT LE DEBRANCHEMENT DE CEUX-CI. UNE ERREUR DE  
BRANCHEMENT PEUT CAUSER UNE OPERATION DANGEREUSE. VERIFIER LE BON  
FONCTIONNEMENT DE L'APPAREIL APRES TOUTE REPARATION.

### NOTE/NOTA/NOTE:

CIRCUIT SHOWN WITH ALL CONTROLS SET TO "OFF".  
OVEN DOOR CLOSED AND UNLOCKED.  
EL CIRCUITO ESTA ILUSTRADO CON TODOS LOS CONTROLES A "OFF"  
(APAGADO) PUERTA DE HORNO ABIERTA Y NO CERRADA.  
LE SCHEMA ELECTRIQUE INDIQUE QUE LES COMMANDES SONT  
A "ARRET", QUE LA PORTE EST FERMEE ET NON VERROUILLEE.

318271921 REV: A  
P:2



