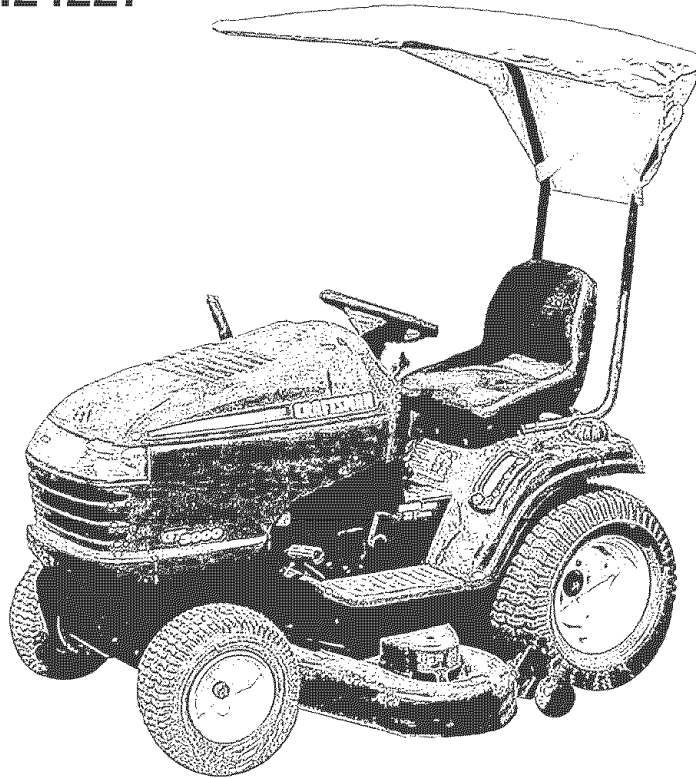


Operator's Manual

CRAFTSMAN®

SUN SHADE

Model No. 486.24227



CAUTION:

Before using this product, read this manual and follow all Safety Rules and Operating Instructions.

IMPORTANT: For Missing Parts or Assembly Questions Call 866-576-8388

- Safety
- Assembly
- Operation
- Maintenance
- Parts

Sears, Roebuck and Co., Hoffman Estates, IL 60179 U.S.A.
www.sears.com/craftsman

PRINTED IN U.S.A.

FORM NO. 49950 (11/05)

TABLE OF CONTENTS

SAFETY RULES.....	2	MAINTENANCE/STORAGE	9
FULL SIZE HARDWARE CHART.....	3	REPAIR PARTS ILLUSTRATION.....	10
CARTON CONTENTS.....	4	REPAIR PARTS LIST	11
ASSEMBLY.....	5	PARTS ORDERING/SERVICE	Back Page
OPERATION.....	9		



SAFETY



Any power equipment can cause injury if operated improperly or if the user does not understand how to operate the equipment. Exercise caution at all times when using power equipment.

- This sun shade does not provide protection against exhaust fumes, collision, rollover or other accidents.
- Read the sun shade and vehicle owner's manuals and know how to operate your vehicle and sun shade before using the sun shade attachment.
- Be sure there is adequate ventilation when using the tractor and sun shade in confined areas.
- The sun shade will restrict your field of vision in some directions. Use extra caution when operating your tractor with the sun shade attached.
- Watch out for low tree limbs or other overhead obstructions that may not previously have interfered with operation of the tractor. The extra height of the sun shade may cause these objects to become obstacles.
- Check the area of operation thoroughly before using the tractor.



Look for this symbol to point out important safety precautions. It means — **Attention!! Become alert!! Your safety is involved.**

WARRANTY

ONE YEAR FULL WARRANTY

When operated and maintained according to the instructions supplied with it, if this Sun Shade fails due to a defect in material or workmanship within one year from the date of purchase, call 1-800-4-MY-HOME® to arrange for free repair (or replacement if repair proves impossible).

If this product is used for commercial or rental purposes, this warranty applies for only 90 days from the date of purchase.

This warranty gives you specific legal rights, and you may also have other rights which vary from state to state.

Sears, Roebuck and Co., D817WA, Hoffman Estates, IL 60179

The model number and serial numbers will be found on a decal attached to the base assembly.

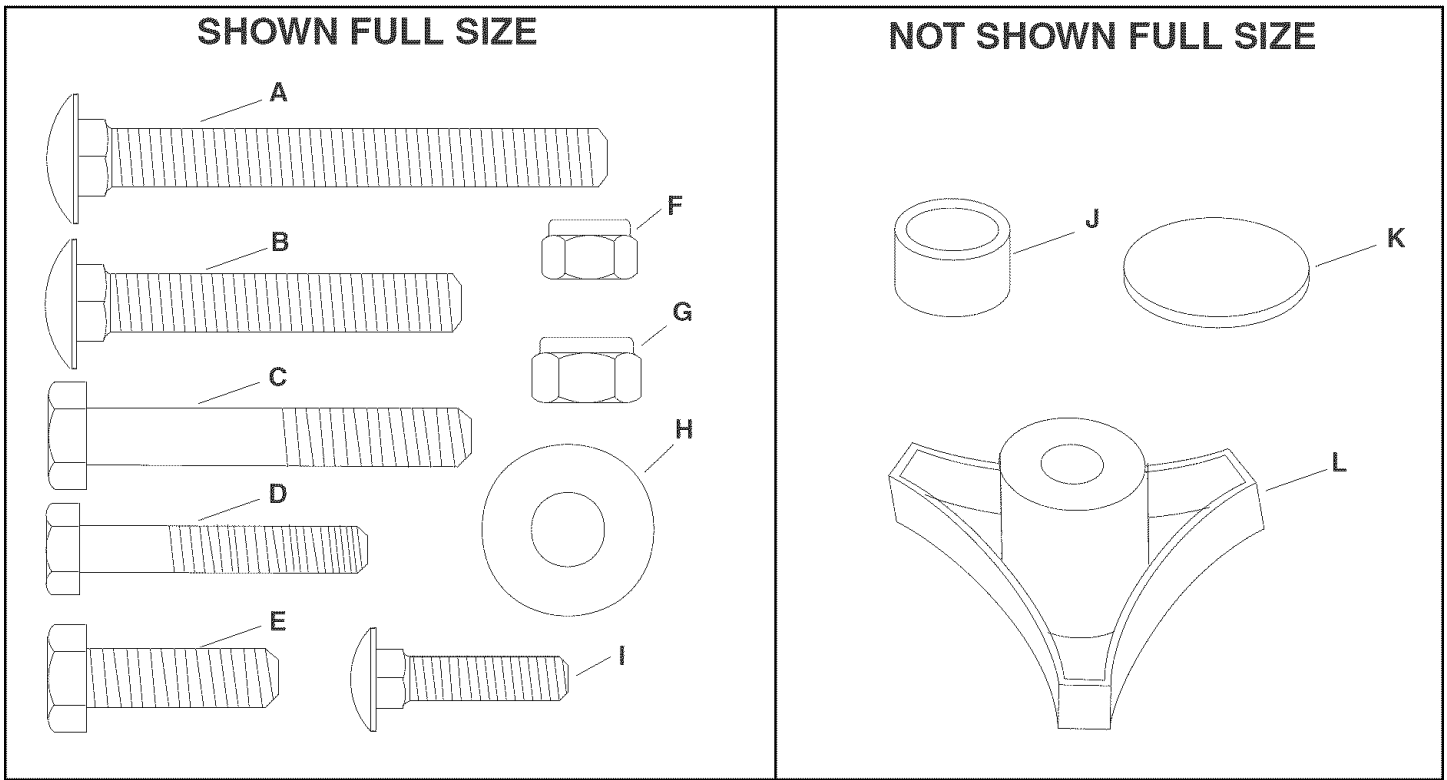
You should record both the serial number and the date of purchase and keep in a safe place for future reference.

MODEL NUMBER: 486.24227

SERIAL NUMBER: _____

DATE OF PURCHASE: _____

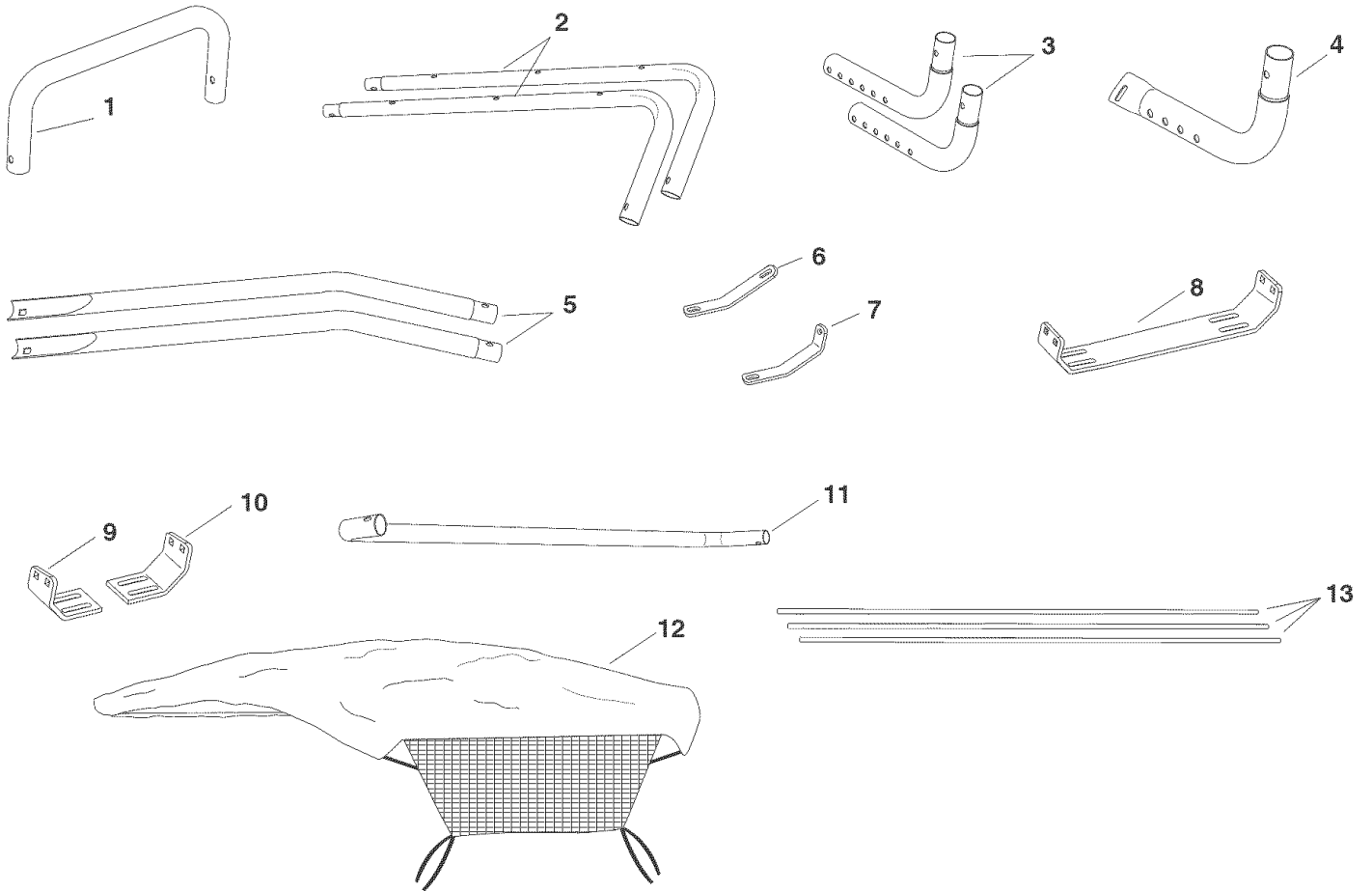
HARDWARE PACKAGE CONTENTS



REF.	QTY.	DESCRIPTION	REF.	QTY.	DESCRIPTION
A	4	Carriage Bolt, 5/16" x 2-3/4"	G	5	Nylock Nut, 5/16"
B	6	Carriage Bolt, 5/16 x 2"	H	4	Flat Washer, 5/16"
C	1	Hex Bolt, 5/16" x 2"	I	1	Carriage Bolt, 1/4 x 1"
D	4	Hex Bolt, 1/4 x 1-1/2"	J	4	Spacer
E	2	Hex Bolt, 5/16 x 1"	K	4	Adhesive Pad
F	5	Nylock Nut, 1/4"	L	2	Plastic Knob

CARTON CONTENTS

1. Upper base tube
2. Top Tubes (2)
3. Base Leg Tubes (2)
4. Base Leg Tube (w/Flat)
5. Upright Tubes (2)
6. Right Support Bracket
7. Left Support Bracket
8. Base Bracket
9. Left Base Bracket
10. Right Base Bracket (stamped with R)
11. U-Tube
12. Vinyl Canopy
13. Support Rods (3)



ASSEMBLY

TOOLS REQUIRED FOR ASSEMBLY

- (2) 7/16" Wrenches
- (2) 1/2" Wrench
- (1) 1/2" or 9/16" Socket Wrench

REMOVAL OF PARTS FROM CARTON

- Remove all parts and hardware packages from the carton. Lay out parts and hardware and identify using the illustrations on pages 3 and 4.

NOTE: Not all of the supplied parts and hardware will be needed for one particular tractor. Unneeded items may be discarded after assembly has been completed.

NOTE: Right hand (RH) and left hand (LH) are determined from the operator's position while seated on the tractor.



CAUTION: Make sure tractor seat raises and lowers freely after attaching Sun Shade. The tractor's operator presence safety switch will not operate if seat is stuck down.

STEP 1: (SEE FIGURE 1)

- Look under the front of your tractor. If there is a single mower deck suspension bracket located underneath the middle of the front axle, continue on to step 2. If your tractor does not have a mower deck suspension bracket underneath the middle of the front axle, skip to step 5 on page 6 for tractors with dual suspension brackets.

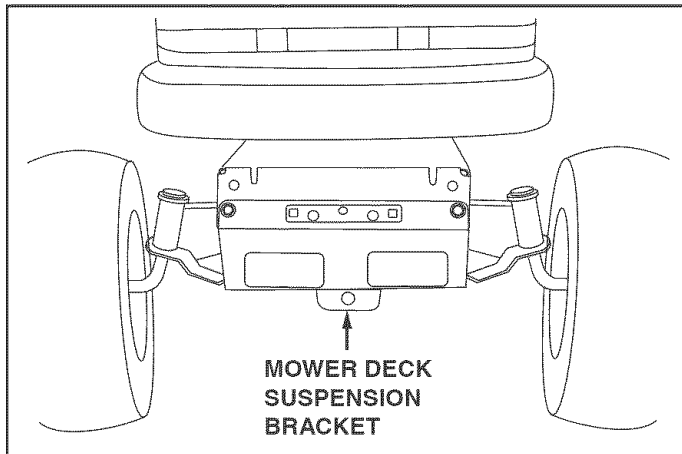


FIGURE 1

INSTRUCTIONS FOR TRACTORS WITH SINGLE SUSPENSION BRACKET

STEP 2: (SEE FIGURE 2)

- The four holes in the base bracket are unequal in height. Place the base bracket on a flat surface with the holes that are higher facing away from you.
- Attach the right side of the base bracket to the fourth and fifth holes in the flattened base leg tube using two 5/16" x 2" carriage bolts (B) and 5/16" nylock nuts (G). **Make only finger tight.**
- Attach the left side of the base bracket to the fourth and fifth holes in one of the base leg tubes using two 5/16" x 2" carriage bolts (B) and 5/16" nylock nuts (G). **Make only finger tight.**
- Attach the long end of the right support bracket to the flattened end of the right base leg tube using a 1/4" x 1" carriage bolt (I) and 1/4" nylock nut (F). **Make only finger tight.**
- Attach the left support bracket to the left base leg tube using one 5/16" x 2" hex bolt (C) and 5/16" nylock nut (G). **Make only finger tight.**

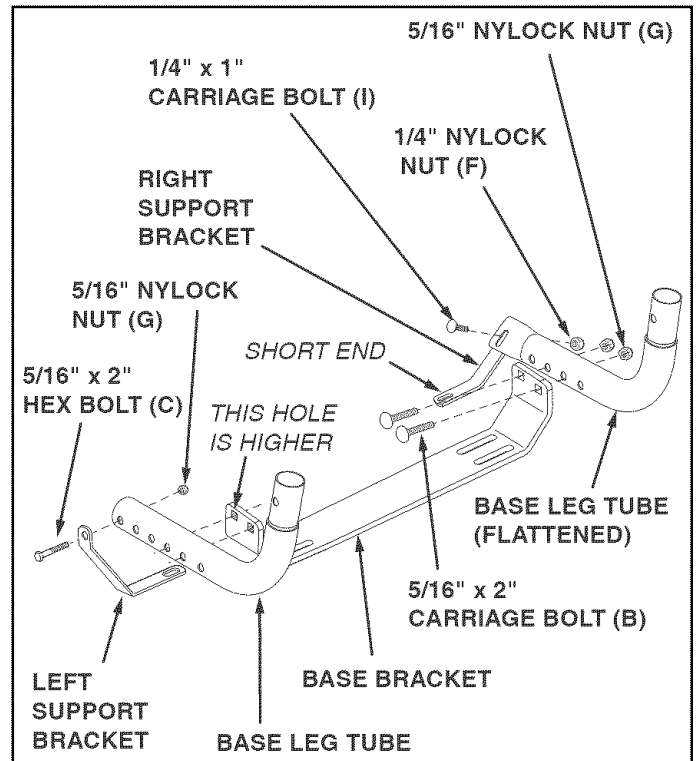


FIGURE 2

STEP 3: (SEE FIGURE 3)

- Insert the ends of the base leg tubes into the upper base tube.

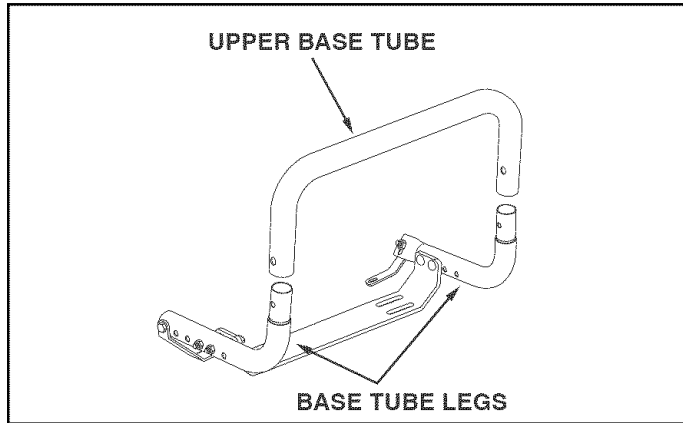


FIGURE 3

STEP 4: (SEE FIGURE 4)

- Raise the tractor seat and remove the seat springs and the four bolts from the rear fender using a 1/2" socket.
- Place the base leg tubes onto the rear fender. Attach the front support brackets to the front holes in the fender reusing the bolts that were removed. If seat springs were mounted to front holes, see note below. **Do not tighten completely.**
- Attach the base bracket and the seat springs to the rear holes in the fender using the new 5/16" x 1" bolts (E) and 5/16" flat washers (H) supplied with the Sun shade. If seat springs were mounted to front holes, see note below. **Do not tighten completely.**
- **Tighten first** the nuts and bolts that fasten the base leg tubes to the base bracket and front support brackets.
- Center the base leg tubes on the rear fender and then **tighten, using moderate force**, the bolts fastening the base bracket and the front support brackets to the fender. Overtightening the bolts may damage the threaded holes in the fender.
- **PROCEED TO STEP 8 ON PAGE 7**

NOTE: If seat springs were mounted to front holes, use 5/16" x 1" bolts (E) and 5/16" flat washers (H) to attach seat springs and front support brackets to front holes. Use original bolts to attach base bracket to rear holes.

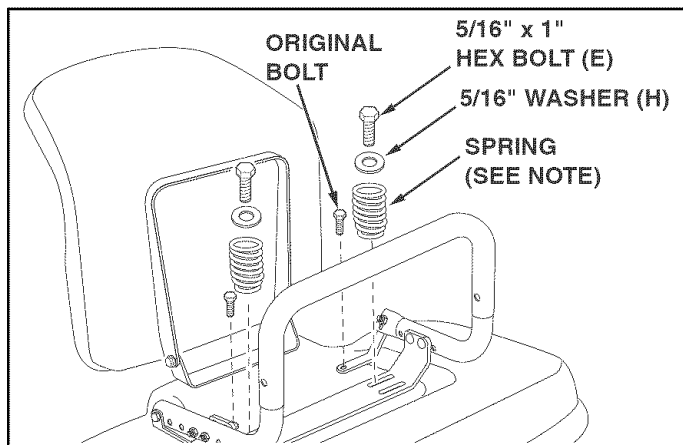


FIGURE 4

INSTRUCTIONS FOR TRACTORS WITH DUAL SUSPENSION BRACKETS

STEP 5: (SEE FIGURE 5)

- Attach the right base bracket to the front holes of a base leg tube that does not have a flattened end, using two 5/16" x 2-3/4" carriage bolts (A), two spacers (J) and two 5/16" nylock nuts (G). **Make only finger tight.** Repeat for the left base bracket.

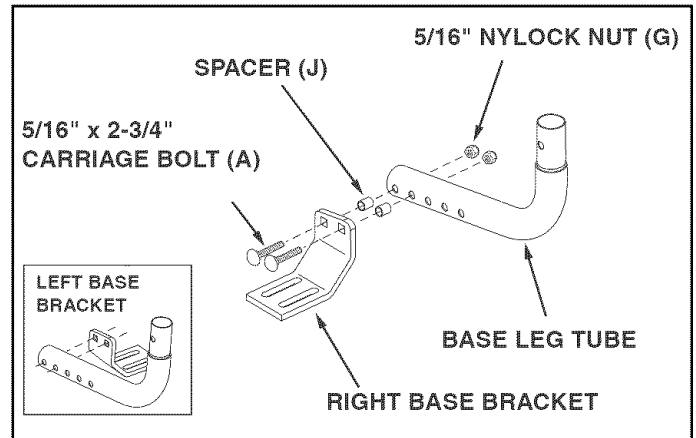


FIGURE 5

STEP 6: (SEE FIGURE 6)

- Insert the ends of the base leg tubes into the upper base tube.

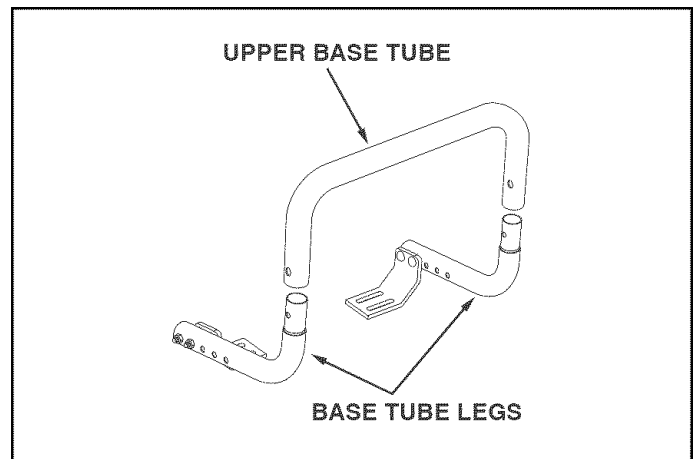


FIGURE 6

STEP 7: (SEE FIGURE 7)

- Raise the tractor seat and remove the springs and bolts from the rear fender using a 1/2" socket for GT tractors or a 9/16" socket for LT tractors.
- Place the base tube assembly onto the rear fender. Align the front or rear slot in the base brackets with the spring mounting holes. Check for clearance with the seat lowered and the rear bagger (optional) attached. If needed, reposition the base brackets to a different set of holes in the base tubes.
- If the base leg tubes rub against the fender, attach the adhesive pads (K) to the bottom of the base leg tubes.
- Attach the seat springs and the base brackets to the rear fender using the spring bolts that you removed. On GT tractors, if the spring bolts were less than 1" long, use the 5/16" x 1" bolts (E) and 5/16" washers (H) supplied with the Sun Shade. Align the base leg tubes on the rear fender. Use a 1/2" socket (GT) or a 9/16" socket (LT) to tighten the seat spring bolts **using moderate force. Do not overtighten.** Next, **tighten** the bolts fastening the base leg tubes to the base brackets.

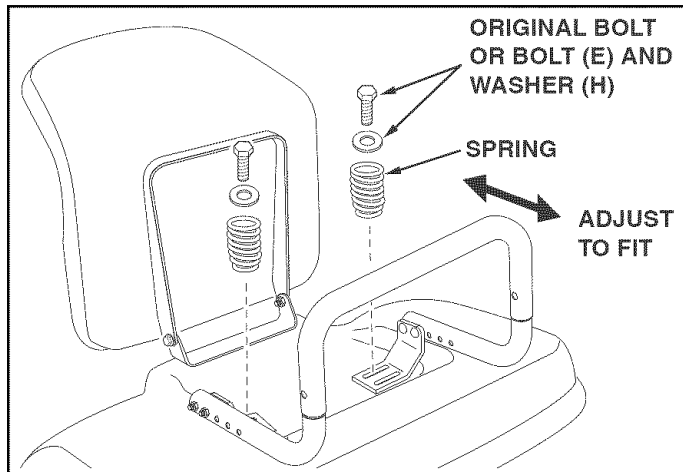


FIGURE 7

COMPLETING ASSEMBLY - ALL TRACTORS

STEP 8: (SEE FIGURE 8)

- Assemble the upright tubes to the base assembly using a 5/16-18 x 2" carriage bolt (B), 5/16" flat washer (H) and plastic knob (L) for each tube.

NOTE: Loosen bolts attaching base tubes to mounting bracket if alignment of upright tubes is difficult.

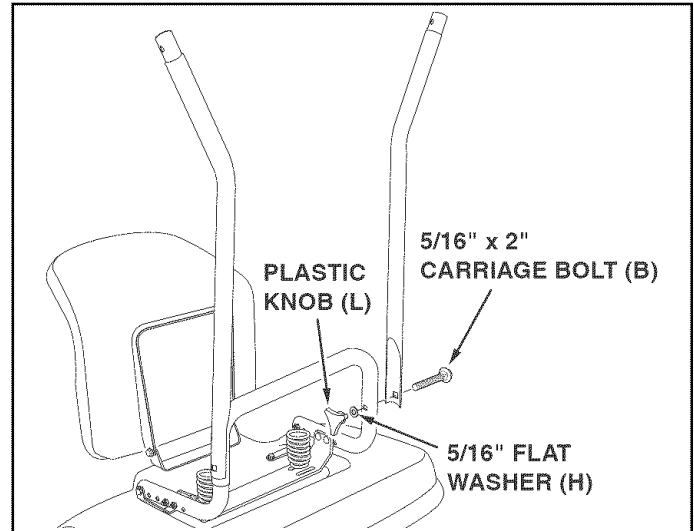


FIGURE 8

STEP 9: (SEE FIGURE 9)

- Assemble the top tubes to the upright tubes using two 1/4" x 1-1/2" hex bolts (D) (outside) and two 1/4" nylock nuts (F) (inside). **Do not tighten yet.**
- Fit the front U-tube onto the top tubes. Fasten the tubes together using two 1/4" x 1-1/2" hex bolts (D) (outside) and two 1/4" nylock nuts (F) (inside). **Tighten all** loose bolts and nuts.
- Fit the three support rods into the holes in the top tubes, with the rods arching upward. **Do not over bend** the rods when installing.

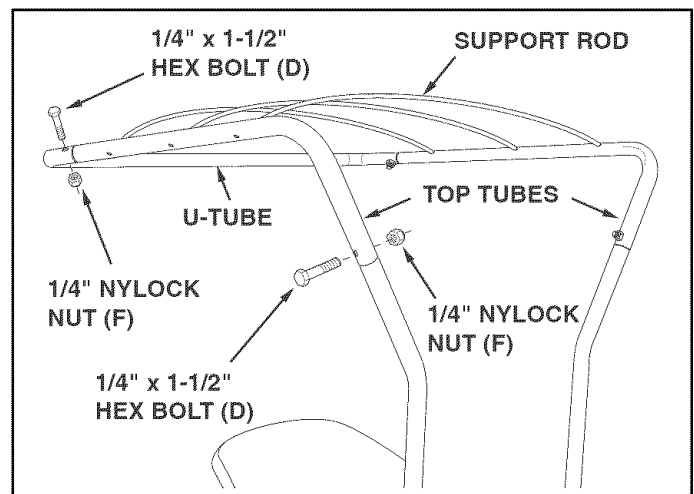


FIGURE 9

STEP 10: (SEE FIGURE 10)

- Place the vinyl canopy on top of the tubing frame, fitting the front of the vinyl canopy around the front U-tube. Secure the nylon mesh to the upright tubes using the ties located on the corners of the mesh.

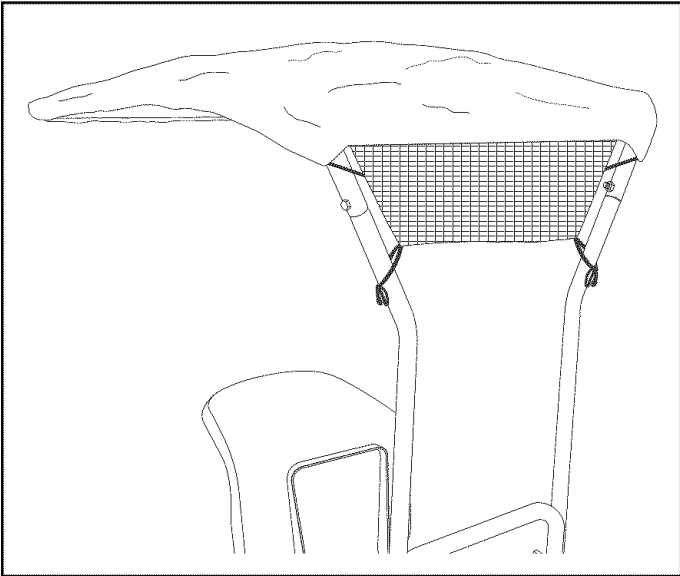


FIGURE 10

OPERATION

Read this owner's manual and safety rules before operating your tractor with the sun shade.



CAUTION: This sun shade does not provide protection against exhaust fumes, collision, rollover or other accidents.



CAUTION: Watch out for low tree limbs and other overhead objects which may interfere with the sun shade.



CAUTION: Never transport the tractor in an open truck or open trailer while the sun shade is attached.

- Check the area of operation thoroughly before using the tractor with the sun shade. The added height of the sun shade and a reduced field of vision require extra caution during operation.
- Remove the upper sun shade frame and canopy before you transport the tractor in an open truck or open trailer.

MAINTENANCE/STORAGE

CUSTOMER RESPONSIBILITIES

- Read and follow the maintenance schedule and the maintenance procedures listed in this section.

MAINTENANCE SCHEDULE Fill in dates as you complete regular service.	Service Dates											
	Before each use	After each use	Every season	Before storage								
Check for loose fasteners	X											
Cleaning		X	X									

CHECK FOR LOOSE FASTENERS

- Before each use make a thorough visual check of the sun shade for any bolts and nuts which may have loosened. Retighten any loose bolts and nuts.

CLEANING

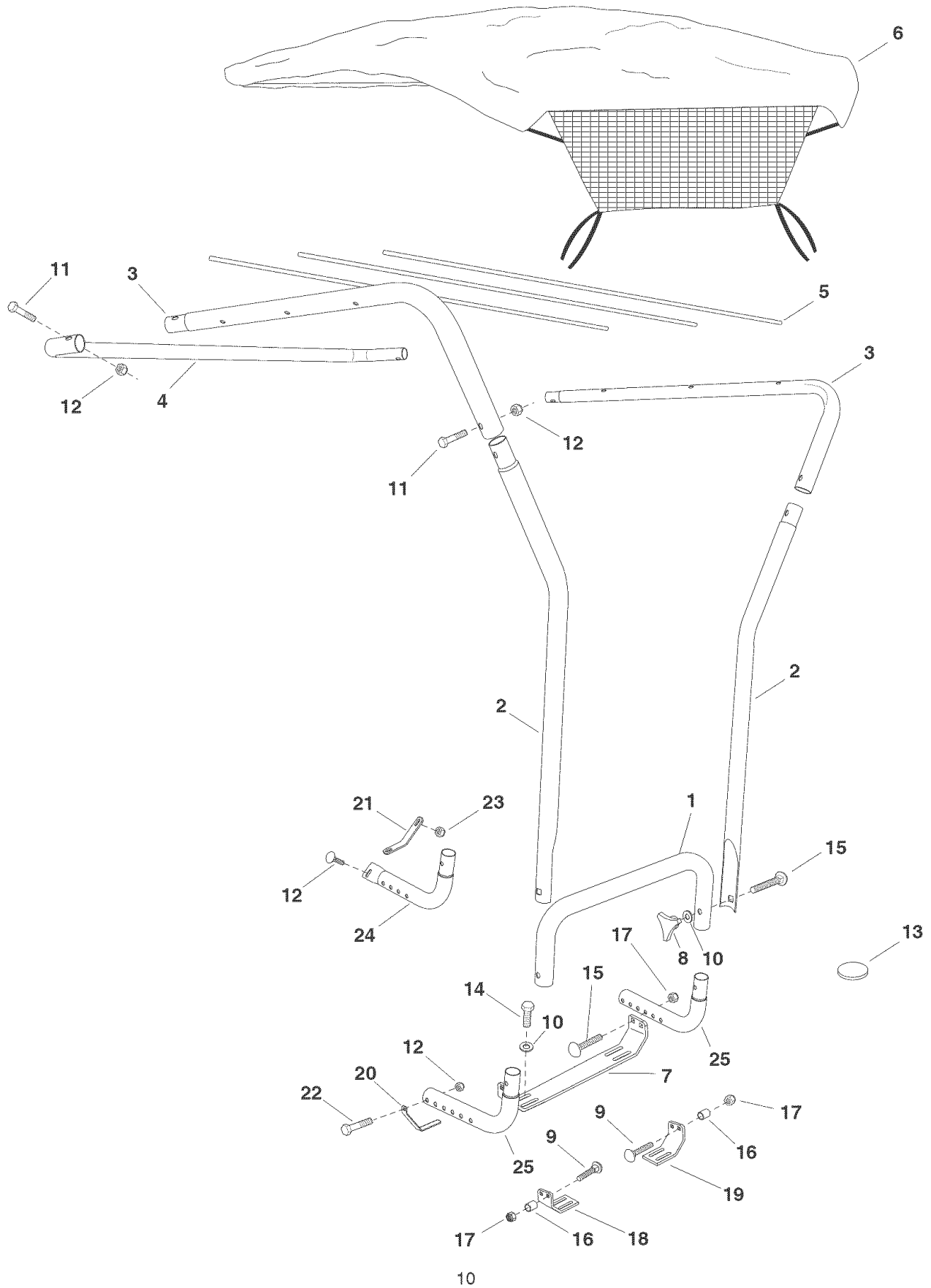
- Wipe loose dirt and debris from the vinyl canopy after each use. The vinyl canopy can be washed using mild liquid soap and water.

STORAGE

- Clean the vinyl canopy thoroughly with mild liquid soap and water. Allow to dry before storing.
- Store the sun shade in a clean, dry area away from direct sun light.

PARTS

REPAIR PARTS FOR MODEL 486.24227 SUN SHADE



REPAIR PARTS FOR MODEL 486.24227 SUN SHADE

REF. NO.	PART NO.	QTY.	DESCRIPTION	REF. NO.	PART NO.	QTY.	DESCRIPTION
1	49242	1	Base Top Tube	14	43063	2	Hex Bolt, 5/16-18 x 1"
2	25014	2	Upright Tube	15	44977	6	Carriage Bolt, 5/16-18 x 2"
3	25013	2	Top Tube	16	23658	4	Spacer
4	25012	1	U-Tube	17	47810	5	Nylock Nut, 5/16-18
5	25015	3	Support Rod	18	25303	1	Left Base Bracket
6	48660	1	Vinyl Canopy	19	25302	1	Right Base Bracket
7	25793	1	Base Bracket	20	25794	1	Left Support Bracket
8	43720	2	Plastic Knob	21	25835	1	Right Support Bracket
9	46594	4	Carriage Bolt, 5/16-18 x 2-3/4"	22	44180	1	Hex Bolt, 5/16-18 x 2"
10	43081	4	Flat Washer, 5/16"	23	43176	1	Carriage Bolt, 1/4-20 x 1"
11	43648	4	Hex Bolt, 1/4-20 x 1-1/2"	24	40003	1	Base Leg Tube, Flattened
12	47189	5	Nylock Nut, 1/4-20	25	49325	2	Base Leg Tube
13	48661	4	Adhesive Pad		49950	1	Owner's Manual

Get it fixed, at your home or ours!

Your Home

For repair – **in your home** – of **all** major brand appliances, lawn and garden equipment, or heating and cooling systems, **no matter who made it, no matter who sold it!**

For the replacement parts, accessories and owner's manuals that you need to do-it-yourself.

For Sears professional installation of home appliances and items like garage door openers and water heaters.

1-800-4-MY-HOME® (1-800-469-4663)

Call anytime, day or night (U.S.A. and Canada)

www.sears.com www.sears.ca

Our Home

For repair of carry-in items like vacuums, lawn equipment, and electronics, call or go on-line for the location of your nearest

Sears Parts & Repair Center.

1-800-488-1222

Call anytime, day or night (U.S.A. only)

www.sears.com

To purchase a protection agreement (U.S.A.) or maintenance agreement (Canada) on a product serviced by Sears:

1-800-827-6655 (U.S.A.)

1-800-361-6665 (Canada)

Para pedir servicio de reparación a domicilio, y para ordenar piezas:

1-888-SU-HOGAR®

(1-888-784-6427)

Au Canada pour service en français:

1-800-LE-FOYER^{MC}

(1-800-533-6937)

www.sears.ca

The Sears logo is displayed in a large, bold, black serif font. The word "Sears" is written in a classic, slightly stylized font. Below the word, there is a thin, curved line that underlines the letters.