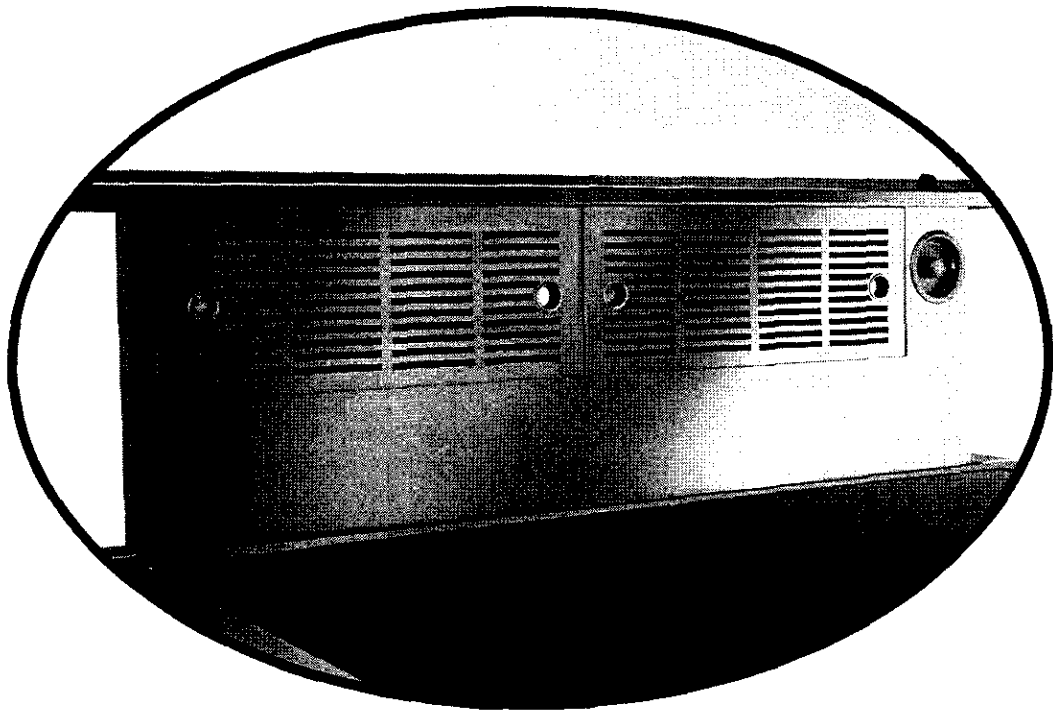


Installation Instructions

External Blower Assembly for
Electrolux Retractable Ventilation Systems



 **Electrolux**

E30DD75ESS

E36DD75ESS

E46DD75ESS

E48DD75ESS

5995433678

SAFETY PRECAUTIONS

WARNING

- To reduce the risk of fire, electric shock, or injury to persons, observe the following:
 - a) Installation work and electrical wiring must be done by qualified person(s) in accordance with all applicable codes and standards, including fire-rated construction.
 - b) Sufficient air is needed for proper combustion and exhausting of gases through the flue (chimney) of fuel burning equipment to prevent back drafting. Follow the heating equipment manufacturer's guidelines and safety standards such as those published by the National Fire Protection Association (NFPA), and the American Society for Heating, Refrigeration and Air Conditioning Engineers (ASHRAE), and the local code authorities.
 - c) When cutting or drilling into wall or ceiling, do not damage electrical wiring and other hidden utilities.
 - d) Ducted fans must always be vented outdoors.
 - e) Use this unit only in the manner intended by the manufacturer. If you have questions, contact the manufacturer.
 - f) Before servicing or cleaning unit, switch power off at service panel and lock the service disconnecting means to prevent power from being switched on accidentally. When the service disconnecting means cannot be locked, securely fasten a prominent warning device, such as a tag, to the service panel.
 - g) Blower must not be installed in a ceiling thermally insulated to a value greater than R40.
 - h) Blower must not be installed in furnace ductwork.
- To reduce the risk of fire, use only metal ductwork.

4 Safety

SAFETY PRECAUTIONS

WARNING

- To reduce the risk of a range top grease fire:
 - a) Never leave surface units unattended at high settings. Boilovers cause smoking and greasy spillovers that may ignite. Heat oils slowly on low or medium settings.
 - b) Always turn hood ON when cooking at high heat or when flambing food (i.e. Crepes Suzette, Cherries Jubilee, Peppercorn Beef Flambe').
 - c) Clean ventilating fans frequently. Grease should not be allowed to accumulate on fan or filter.
 - d) Use proper pan size. Always use cookware appropriate for the size of the surface element.
- To reduce the risk of injury to persons in the event of a range top grease fire, observe the following:
 - a) **SMOTHER FLAMES** with a close-fitting lid, cookie sheet, or metal tray, then turn off the burner. **BE CAREFUL TO PREVENT BURNS.** If the flames do not go out immediately, **EVACUATE AND CALL THE FIRE DEPARTMENT.**
 - b) **NEVER PICK UP A FLAMING PAN** - You may be burned.
 - c) **DO NOT USE WATER**, including wet dishcloths or towels - a violent steam explosion will result.
 - d) Use an extinguisher **ONLY** if:
 - 1) You know you have a Class ABC extinguisher, and you already know how to operate it.
 - 2) The fire is small and contained in the area where it started.
 - 3) The fire department is being called.
 - 4) You can fight the fire with your back to an exit.

SAFETY PRECAUTIONS

CAUTION

- For general ventilating use only. Do not use to exhaust hazardous or explosive materials and vapors.
- To reduce risk of fire and to properly exhaust air, be sure to duct air outside – Do not vent exhaust air into spaces within walls or ceilings or into attics, crawl spaces or garages.
- This blower assembly is approved for use with the following Electrolux retractable ventilation systems: E30DD75ESS, E36DD75ESS, E46DD75ESS and E48DD75ESS only. Use of this blower assembly with any other product or in any other configuration is hazardous and voids the product warranty.

NOTES

- Consult a licensed ventilation contractor or qualified technician for proper installation of exhaust ducting.
- Locate the cooking area for minimum cross drafts – away from doors and windows, when possible.
- Ducts must be of adequate size and duct runs should be as short and straight as possible. Where turns are necessary, keep turning radius as large and smooth as possible.
- The ducting must be air tight. Use a minimum of 2 sheet metal screws at every duct joint. Then, seal the duct joints with a high quality duct tape.
- In duct runs less than 10 equivalent straight feet, the remote blower may interfere with the cooktop burner performance due to the high volume of air moved. An adjustable damper (not included) should be installed in the ducting system. The damper can be adjusted so that proper ventilation and cooktop burner performance is achieved.
- Installation of duct work should be carefully planned if it is to go under a concrete slab floor. The duct trench should be boxed to prevent collapse from the wet cement. Be sure to allow room to run the electrical wiring and conduit.

6 Finding Information

READ AND SAVE THESE INSTRUCTIONS

NOTE

Installer: Leave instructions with owner.

Owner: Read your Retractable Ventilation System Use & Care Manual. It contains important safety information for operating this appliance. It also has many suggestions for getting the best results from your retractable ventilation system.

Read all instructions before installing the retractable vent.

For your safety, please read and observe all safety instructions. This guide will help you anticipate all installation connections.

QUESTIONS?

For toll-free telephone support in the U.S. and Canada:
1-877- 4ELECTROLUX (1-877-435-3287)

For online support and Internet product information:
www.electroluxusa.com

8 Planning for Installation

INSTALLATION PLANNING

A qualified technician must complete the installation of this appliance.

Carefully check the location where the remote blower is to be installed. The remote blower should be placed for convenient access. Make certain that electrical power can be provided in the selected location.

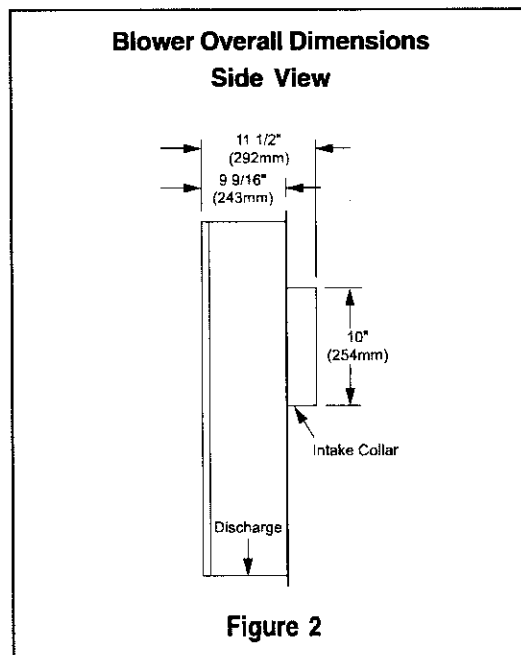
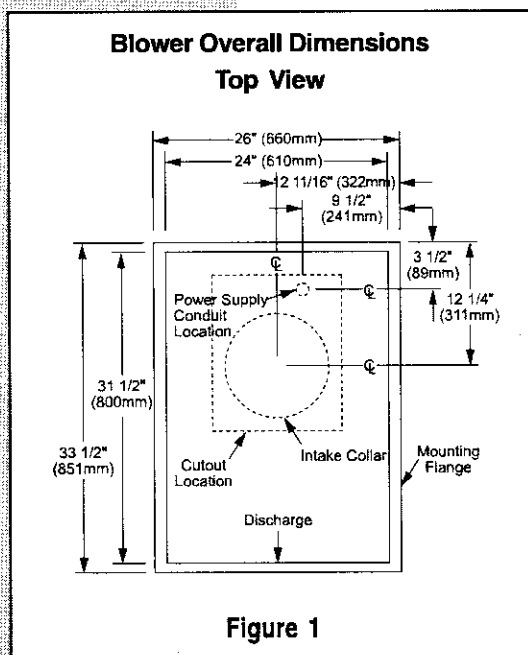
Plan the installation so that all minimum clearances are met or exceeded. Dimensions shown provide minimum clearances, unless otherwise noted.

SPECIFICATIONS AND DIMENSIONS

NOTE

All dimensional tolerances are $+ 1/16"$, $- 0"$ unless otherwise stated.

Before commencing installation, remove the top cover of the remote blower. Check to see if the blower wheel turns freely. Do not replace the top cover until the installation is complete.



Planning for Installation 9

Blower Overall Dimensions

Model No.	Overall Chassis Width	Overall Chassis Height	Overall Chassis Length	Duct Diameter
5304444802	26" (660mm)	9 9/16" (243mm)	33 1/2" (851mm)	10" (254mm)

Blower Specifications

Model No.	Electrical Supply Requirements	Maximum Duct Length	Total Connected Load	Fan Rating*	Approx. Shipping Weight	Finish
5304444802	Refer to Ventilator Specifications	Max. 60 Equivalent Straight Feet	0.3kW (3A)	1600 CFM	55 lbs.	Galvanized (may be painted)

* The CFM Fan Rating is valued at 0" (zero-inch) static pressure.

10 Planning for Installation

NOTE

The blower must be sealed between the roof or wall and the underside of the flange with mastic to prevent leaks. For installation on a flat roof, or a roof with a pitch of less than 2:12, install the blower on a curb as shown below. Position the curb on flat roofs so that the discharge (low) end points away from the prevailing wind.

Blower Flat Roof Installation

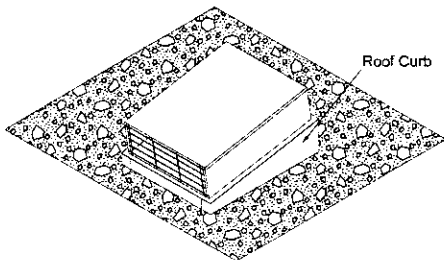


Figure 3

Blower Sloped Roof Installation

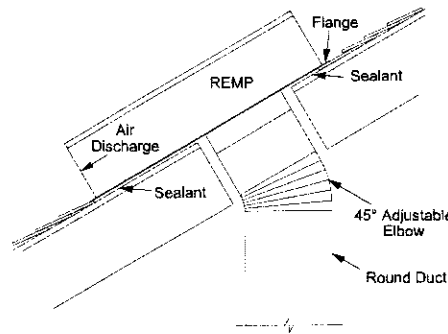


Figure 4

Blower Sloped Roof Installation Dimensions

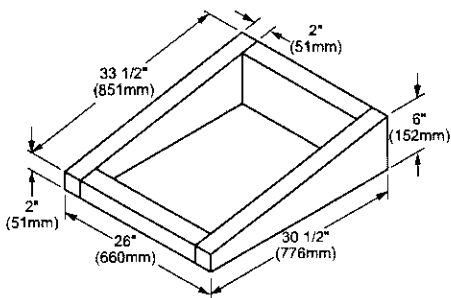
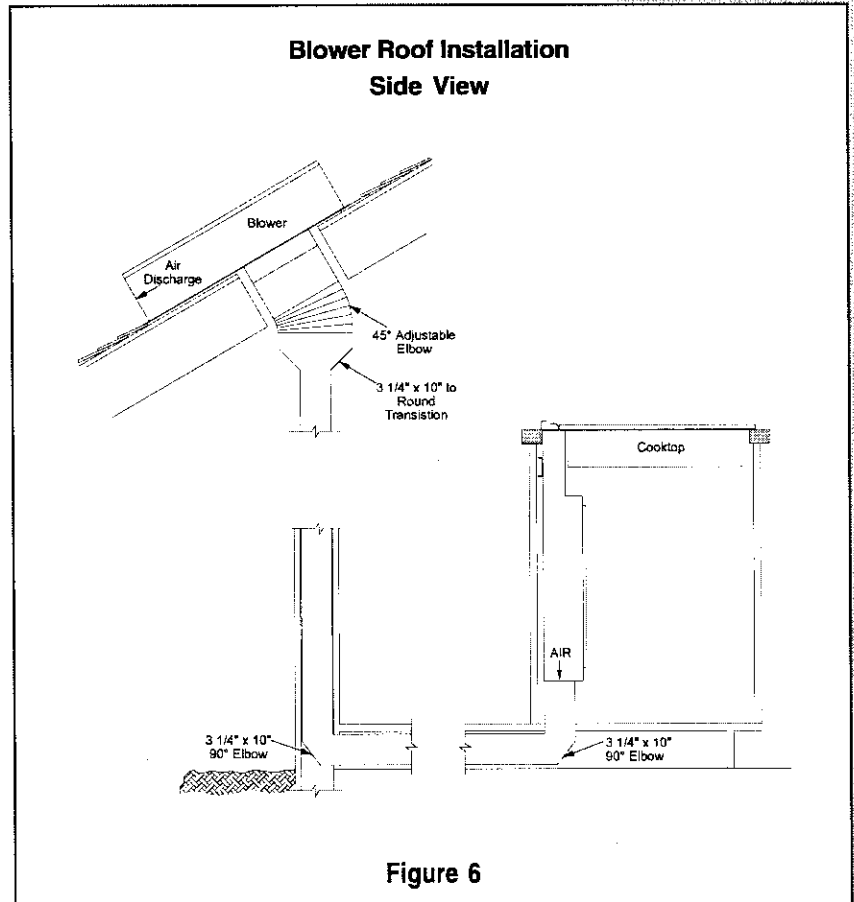


Figure 5



12 Making the Electrical Connection

ELECTRICAL CONNECTION

WARNING

Ensure that the power supply is disconnected before proceeding.

Verify that the power supply matches the ratings found on the appliance data plate before proceeding.

The complete appliance must be properly grounded at all times when electrical power is applied.

Do not ground the appliance with the neutral (white) house supply wire. A separate ground wire must be utilized.

If aluminum house supply wiring is used, splice the appliance copper wires to the aluminum house wiring with special connectors designed and agency-certified for this purpose. Follow the connector manufacturer's recommended procedure carefully. Improper connection can result in a fire hazard.

Failure to complete electrical connections properly may result in a damaged or non-functional system. Follow the wiring diagrams carefully to ensure a proper installation.

It is the owner's responsibility to ensure that a qualified electrician performs the electrical connection of this appliance. The electrical installation, including minimum supply wire size, must comply with the latest revision of the National Electric Code ANSI/NFPA 70* and local codes and ordinances.

A copy of this standard may be obtained from:

National Fire Protection Association
1 Batterymarch Park
Quincy, Massachusetts 02269-9101

NOTE

Make all electrical connections between the vent and blowers, then connect power to the vent as per the wiring diagram shown.

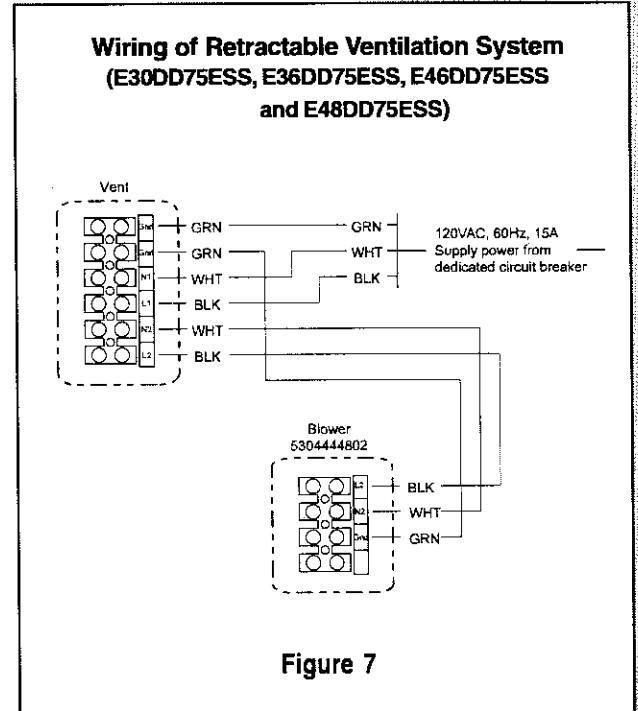
Use wire nuts and electrical tape to secure all wiring connections at the blowers.

BLOWER INSTALLATION

Mount the blower to the wall or roof using screws, through mounting trim flange.

Verifying Proper Operation

- 1 Temporarily re-install the remote blower cover, using 2 screws per side).
- 2 Turn on the power supply at the circuit breaker.
- 3 Refer to the Retractable Vent Installation Instructions for further instructions on verifying the proper operation.



IMPORTANT

If the remote blower does not operate properly, follow these troubleshooting steps:

1. Verify that power is being supplied to the Retractable Vent and the remote blower.
2. Check the electrical connections to ensure that the installation has been completed correctly.
3. Repeat the above test.
4. If the appliance still does not work, contact Electrolux at 1-877-4Electrolux. Do not attempt to repair the appliance yourself. Electrolux is not responsible for service required to correct a faulty installation.



1-877-4Electrolux

www.electroluxusa.com
www.electroluxca.com