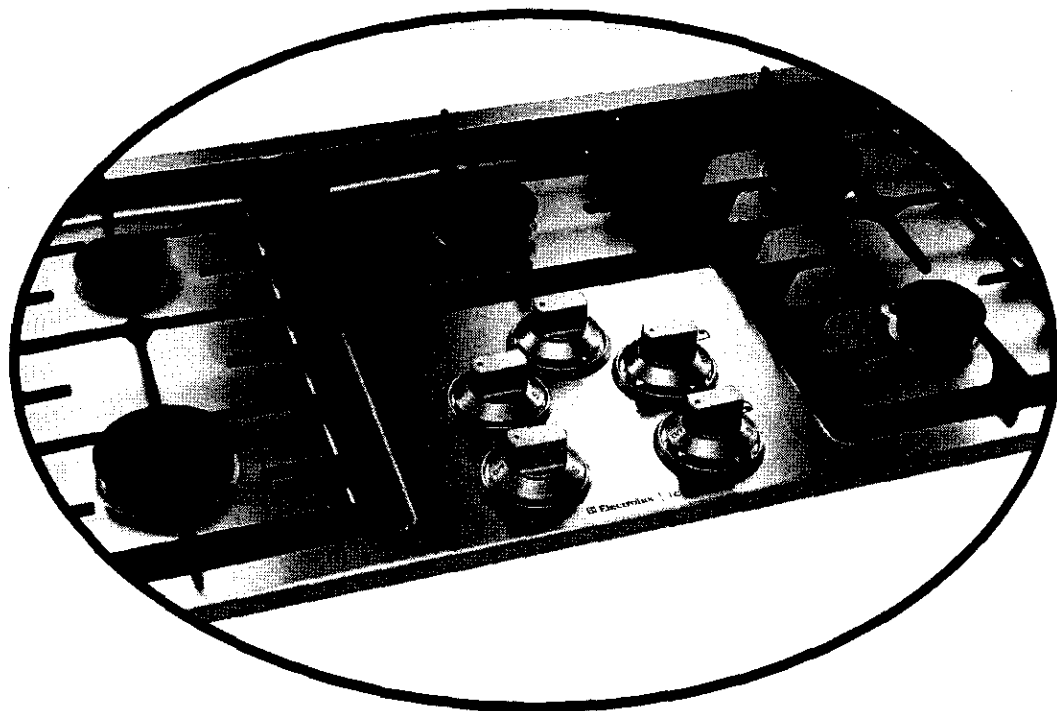


Installation Instructions

Cooktop



 **Electrolux**

E30GC64ESS

E36GC65ESS

E46GC66ESS

E46GC67ESS

5995426250


2 Safety

IMPORTANT SAFETY INSTRUCTIONS

Safety Precautions

Do not attempt to install or operate your unit until you have read the safety precautions in this manual. Safety items throughout this manual are labeled with a Warning or Caution based on the risk type.

Definitions

 This is the safety alert symbol. It is used to alert you to potential personal injury hazards. Obey all safety messages that follow this symbol to avoid possible injury or death.

WARNING

WARNING indicates a potentially hazardous situation which, if not avoided, could result in death or serious injury.

CAUTION

CAUTION indicates a potentially hazardous situation which, if not avoided, may result in minor or moderate injury.

CAUTION

CAUTION used without the safety alert symbol indicates a potentially hazardous situation which, if not avoided, may result in property damage.

IMPORTANT

Indicates installation, operation or maintenance information which is important but not hazard related.

SAFETY PRECAUTIONS

WARNING

- Read all instructions before using the appliance.
- Improper installation, adjustment, alteration, service, or maintenance can cause personal injury or property damage. Refer to these instructions and the accompanying Use & Care Manual. For assistance or additional information, consult a qualified installer, service agency, manufacturer (dealer), or the gas supplier.
- For your safety:
 - Do not obstruct the flow of combustion and ventilation air to the unit.
 - Keep appliance area clear and free from combustible material, gasoline and other flammable vapors and liquids.
 - Do not use or attempt to use this appliance in the event of a power failure.
- This unit is designed as a cooking appliance. Never use it for warming or heating a room.
- This appliance must not be used in combination with surface (countertop) ventilation systems. The use of an overhead hood or downdraft is recommended for ventilation.
- This appliance must be installed with the gas pressure regulator supplied with it.
- Disconnect the electrical supply before installing or servicing the appliance.
- This appliance must be grounded. Connect only to a properly grounded electrical supply. Refer to "Electrical Requirements".
- Install or locate this appliance only in accordance with these installation instructions.
- Use this appliance only for its intended use as described in this manual. Do not use corrosive chemicals or vapors in this appliance. This type of appliance is not designed for industrial or laboratory use.
- As with any appliance, close supervision is necessary when used by children.
- Do not operate this appliance if it has a damaged electrical cord, plug, conduit or wires, if it is not working properly, or if it has been damaged or dropped.
- This appliance should be serviced only by qualified service personnel.
- Some products, such as whole eggs, and sealed containers, such as closed glass jars, may explode and should not be heated on this cooktop.

4 Safety

WARNING

- Based on safety considerations, the top burner flame should be adjusted so it does not extend beyond the edge of the cooking utensil.
 - Cooking utensils should not be used on the open top broiler section.
 - If the information in this manual is not followed exactly, a fire or explosion may result causing property damage, personal injury, or death.
 - What to do if you smell gas:
 - Do not try to light any appliance.
 - Do not touch any electrical switch, do not use any phone in your building.
 - Immediately call the gas supplier from a neighbor's phone.
 - Follow the gas supplier's instructions.
 - If you cannot reach your gas supplier, call the fire department.
 - For your safety:
 - Do not store or use gasoline or other flammable vapors and liquids in the vicinity of this or any other appliance.
 - Installation of this appliance must be performed by a qualified installer, service agency or the gas supplier.
-

READ AND SAVE THESE INSTRUCTIONS

NOTE

Installer: Leave instructions with owner.

Owner: Read your cooktop Use & Care Manual. It contains important safety information for operating this appliance. It also has many suggestions for getting the best results from your cooktop.

Read all instructions before installing the cooktop.

For your safety, please read and observe all safety instructions. This guide will help you anticipate all installation connections.

QUESTIONS?

For toll-free telephone support in the U.S. and Canada:
1-877- 4ELECTROLUX (1-877-435-3287)

For online support and Internet product information:
www.electroluxusa.com

6 Finding Information

TABLE OF CONTENTS

Safety	2
Definitions	2
Important Safety Instructions	2
Safety Precautions	3
Finding Information	5
Please Read And Save This Guide	5
Questions?	5
Table Of Contents	6
Preparing for Installation	7
Verifying Package Contents	7
Cabinet/Counterop Preparation	7
Making the Gas/Electric Connection	10
Requirements	10
Installation	12
Installing the Cooktop	12
Connecting the Gas	12
Gas and Electric Requirements Table	13
Installing the Burner Components	14
Making the Electrical Connection	15
Operation	16
Verifying the Operation	16

VERIFY PACKAGE CONTENTS

- Use & Care Manual
- Cleaning Kit
- Hold Down Bracket Kit
- Grill Drip Pan (E46GC67ESS only)
- Grate/Burner Cap Pack
- Grill U-Burner (E46GC67ESS only)
- Burner Set
- Grill Heat Control Channels (E46GC67ESS only)
- Gas Pressure Regulator
- Grill (E46GC67ESS only)
- LP Conversion Kit
- Grease Control Box (E46GC67ESS only)

CABINET/COUNTERTOP PREPARATION

The installation of this built-in appliance must be completed by a qualified appliance technician or contractor. Proper installation is the owner's responsibility.

Carefully check the location where the cooktop is to be installed. The cooktop should be placed for convenient access, but away from drafts that may be caused by open doors and windows or by HVAC duct outlets. Make certain that gas and electrical power can be provided in the selected locations. Plan the installation so that all minimum clearances are met or exceeded. Dimensions shown provide minimum clearances, unless otherwise noted.

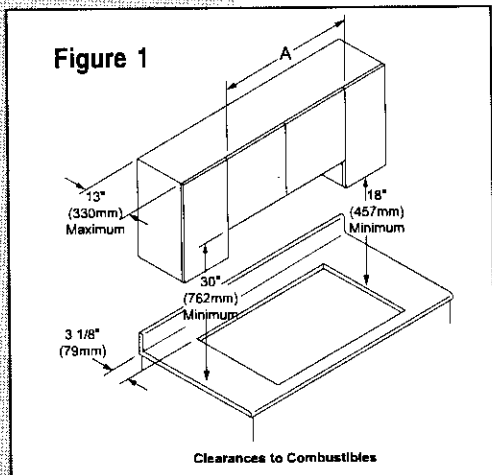
WARNING

- To reduce the risk of personal injury caused by reaching over a hot appliance, cabinet storage space located directly above the cooktop should be avoided.
- Keep appliance area clear and free from combustible materials, gasoline and other flammable vapors and liquids.
- Failure to provide proper clearances may result in a fire hazard!
- Do not store combustible materials or items adversely affected by heat immediately below the cooktop.
- The back edge of the cooktop must remain a minimum of 2 1/2" (64mm) from any combustible backsplash material. This will require special cabinet and countertop dimensions.

8 Preparing for Installation

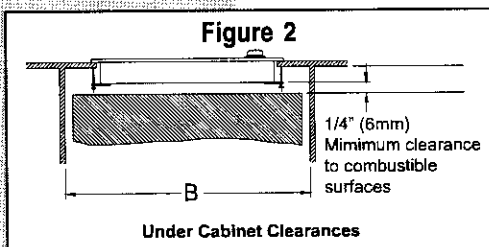
IMPORTANT

- When installing the cooktop into a laminated (Formica, etc.) or synthetic (Corian, etc.) countertop, radius the corners of the cutout to prevent cracking of the countertop.
- Follow the countertop manufacturer's instructions regarding the minimum corner radius, use of heat reflective tape, reinforcement of corners, etc.
- If cabinet storage space is to be provided directly above the cooktop, the risk of personal injury may be reduced by installing a ventilating hood that projects horizontally a minimum of 5 inches beyond the face of the cabinets.
- Allow a minimum 1/4 inch clearance between the bottom of the any cooktop chassis and all combustible surfaces, including the upper edge of a drawer installed below the cooktop. See Figure 1 and related table.
- Access to the underside of the cooktop and the junction box must be provided for inspection and service.
- A fixed shelf should not be installed below the cooktop.
- Clearance inside the cabinet must allow for proper side mounting bracket installation. See Figure 2 and related table.
- All models are designed for 24" (610mm) minimum base cabinet depth.
- The maximum depth of cabinets installed above cooking tops is 13 inches (330mm).



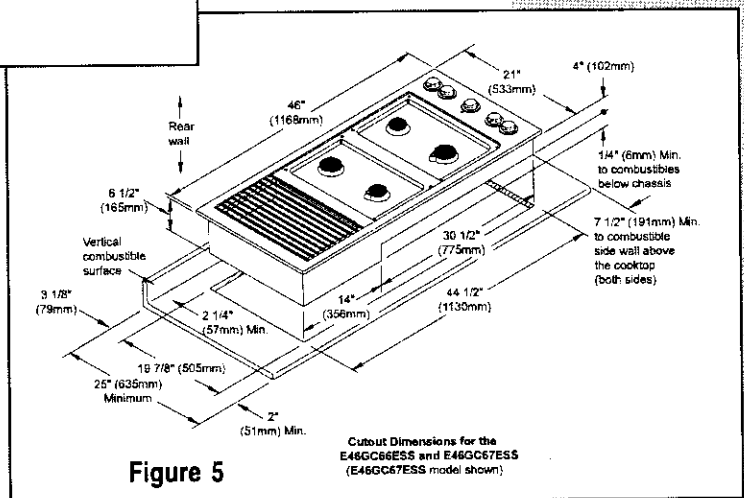
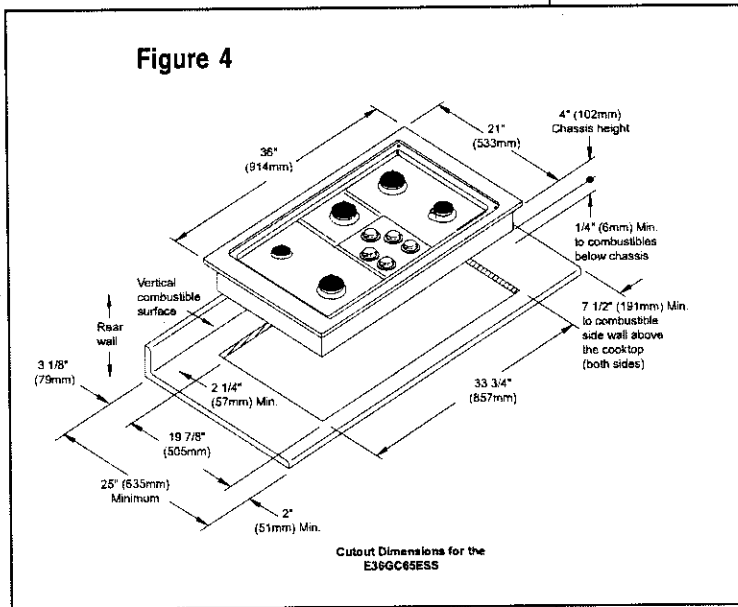
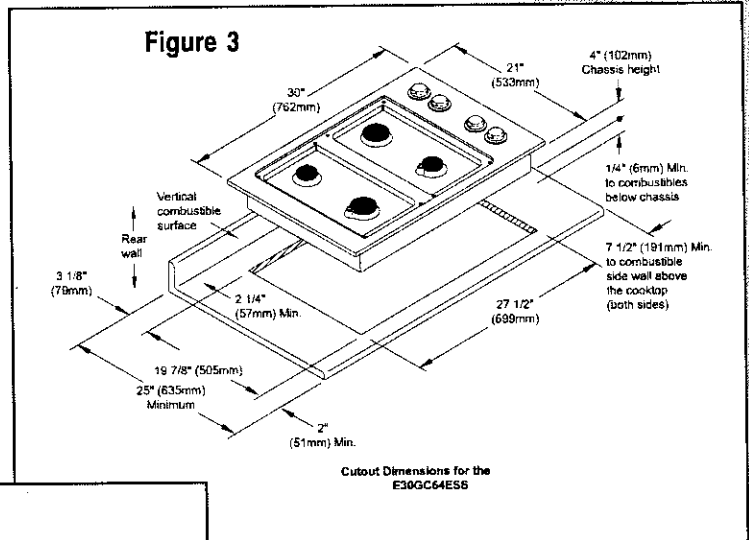
Plan the installation so that the electrical connection, gas shut-off valve, and pressure regulator are accessible from the front of the cabinet.

Model	"A" Minimum	"A" Maximum
E30GC64ESS	30" (762mm)	36" (914mm)
E36GC65ESS	36" (914mm)	42" (1067mm)
E46GC66ESS/67ESS	48" (1219mm)	54" (1372mm)



Model	"B" Minimum
E30GC64ESS	29" (737mm)
E36GC65ESS	35 1/4" (895mm)
E46GC66ESS/67ESS	46" (1168mm)

Preparing for Installation 9



10 Making the Gas/Electric Connection

REQUIREMENTS

WARNING

- If the gas or electric service provided does not meet the product specifications, do not proceed with the installation. Call the selling dealer, the gas supplier, or a licensed electrical or plumbing contractor.
- The grounding plug must not, under any circumstances, be cut or removed.
- This appliance must be installed by a licensed plumber or gas fitter when installed within the Commonwealth of Massachusetts.

IMPORTANT

- All gas cooktops have the gas and electrical located in the back right corner as you face the front of the appliance.
- Each cooktop ships with a factory regulator in the box. All models utilize 1/2" regulators.

Gas Supply Requirements

Check your local building codes for the proper method of installation. In the absence of local codes, this appliance should be installed in accordance with the National Fuel Gas Code ANSI Z223.1/NFPA 54. Be certain that the appliance being installed is correct for the gas service being provided. Refer to the data plate located on the bottom of the cooktop chassis.

IMPORTANT

- No adjustment of burner settings is required. All valves and air mixture shutters found in this appliance have been factory preset for natural gas.
 - An LP Conversion Kit is included with this product. Do not use any other conversion method or components other than the kit enclosed.
-

Gas and Electrical Supply Requirements

The correct voltage, frequency and amperage must be supplied to the appliance from an isolated, grounded circuit which is protected by a properly sized circuit breaker or time-delay fuse.

The cooktop must be connected to the power supply with copper wire only. The use of aluminum wire may result in unsatisfactory connections. Flexible armored or nonmetallic, sheathed copper cable (with a grounding wire) should be used to supply electrical power to the junction box or receptacle.

The cooktop's factory-equipped, three-prong grounding plug must be inserted into a mating grounding-type receptacle in accordance with National Electric Code and applicable state, municipal and local codes.

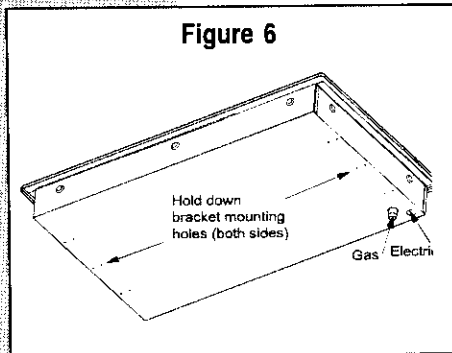
Be certain to locate the junction box or electrical outlet so the electrical supply may be easily disconnected in the event that service becomes necessary. Also, provide extra slack in the cable to allow the cooktop to be removed for servicing.

IMPORTANT

- If the electrical supply circuit does not have a grounding-type receptacle, it is the responsibility of the customer to have the existing receptacle changed by an electrician to a properly grounded receptacle.
- The power supply must be properly polarized. Reverse polarity will result in continuous sparking of the electrodes, even after flame ignition. If the power supply is not properly polarized, it is the responsibility of the customer to have the polarity corrected.
- If there is any doubt as to whether the wall receptacle is properly grounded or polarized, have it checked by a qualified electrician prior to installing the cooktop.
- Do not plug the cooktop into Ground Fault Circuit Interrupter (GFCI) receptacles. The cooktop spark ignition module can cause a GFCI to trip.

12 Installation

INSTALLING THE COOKTOP



Place and center the cooktop within the cutout. Secure the cooktop to the countertop utilizing the two (2) hold-down brackets provided. Do not overtighten the screws. See Figure 6.

IMPORTANT

Do not use a hardening compound or caulking to permanently seal the cooktop into place, as the unit must be readily removable for service. If such a hardening compound is used, removal of the unit will be at the customer's expense.

CONNECTING THE GAS

⚠ WARNING

- The maximum gas supply pressure to the regulator must not exceed 1/2 pound per square inch.
- Verify that the proper gas supply has been provided.
- Do not apply excessive pressure when tightening connections and fittings.
- Do not use plumber's putty or Teflon tape on gas compression connections. It can defeat the proper sealing of these fittings. Use plumber's putty or Teflon tape only on pipe thread fittings.
- Turn all cooktop control valves to the "OFF" position, then turn on the gas supply. Check all supply lines and connections for leaks using a soap and water solution. Do not use a flame to check for leaks. After verifying that there are no gas leaks, turn off the gas supply to the cooktop by turning the gas shut-off valve to the off position. Leak testing of the appliance shall be conducted according to the manufacturer's instructions.
- For LP gas installations, the LP gas tank must have its own high-pressure regulator. This is in addition to the pressure regulator supplied with the cooktop.

Attach the gas pressure regulator (included with the cooktop) to cooktop pipe nipple inlet.

Install a gas shut-off valve (not included with the cooktop) in the main gas supply line in an accessible location near the cooktop. Complete connection of the gas supply to the cooktop by installing 1/2 inch flexible gas line (not included with the cooktop) between the pressure regulator and the shut-off valve.

IMPORTANT

To prevent damage to the gas pressure regulator, install the regulator only after the cooktop is mounted in its permanent position. Ensure that the arrow on the regulator points in the direction of the gas flow towards the cooktop.

GAS AND ELECTRIC REQUIREMENTS TABLE

Refer to the following table for more information on gas and electric requirements.

Model No.	Electrical circuit required	Total connected load	Gas type	Manifold pressure	Minimum gas supply pressure
E30GC64ESS	120VAC, 60Hz, 15A	0.25 Amps (0.03 Kw)	Natural	4" Water Column	5" Water Column
E36GC65ESS			Natural	4" Water Column	5" Water Column
E46GC66ESS			Natural	4" Water Column	5" Water Column
E46GC67ESS			Natural	4" Water Column	5" Water Column
Above models converted to LP			Liquid Propane	10" Water Column	11" Water Column

14 Installation

INSTALLING THE BURNER COMPONENTS

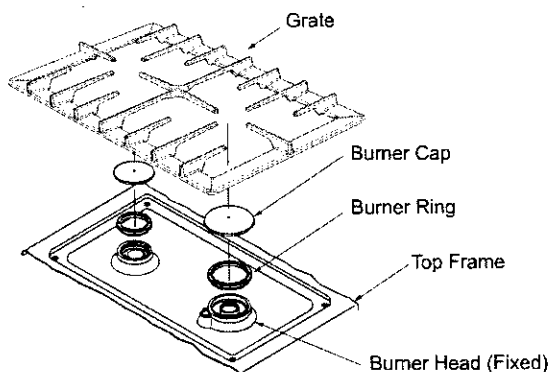
⚠ WARNING

Never attempt to operate the cooktop with any of the burner rings, burner caps, grates or grill components removed.

Burner Components

Remove the brass burner rings, porcelain burner caps, and porcelain grates from their shipping packages. Place each burner ring onto its corresponding burner base, being certain that the five alignment tabs slide into the matching notches in the base. Set each porcelain burner cap on top of its corresponding burner ring. Place each grate onto the cooktop, being certain that the rubber feet are positioned in the locating dimples.

Figure 7



Burner Components

Grill Components

Remove the grill components from inside the main carton. Remove all of the packing materials from the Grill, U-burner, Heat Control Channels, Grease Control Box and the Drip Pans.

Begin your set up by placing the Drip Pans inside on the bottom of the open grill burner box area, using the dimples to locate the Drip Pan. Next, slip the open end of the U-burner onto the gas stub located in the front inside of the grill burner box, and insert the bracket on to opposite end of the U-burner into the slot located on the Grease Control Box. Proceed to install the Heat Control Channels, which sit on top of four pins at the inside front and back of the grease control box. Finally, set the grill in place on the top of the cooktop.

NOTE

The U-burner is adjusted at the factory and does not require any field adjustment for proper function.

MAKING THE ELECTRICAL CONNECTION

.....

WARNING

- Ensure that the power supply is disconnected before proceeding.
- Verify that the power supply matches the ratings found on the appliance data plate before proceeding.
- The complete appliance must be properly grounded at all times when electrical power is applied.
- Do not ground the appliance with the neutral (white) house supply wire. A separate ground wire must be utilized.
- If aluminum house supply wiring is utilized, splice the appliance copper wires to the aluminum house wiring using special connectors designed and agency-certified for joining copper and aluminum.
- Follow the connector manufacturer's recommended procedure carefully. Improper connection can result in a fire hazard!

Plug the three-prong plug from the appliance into the properly grounded and polarized wall receptacle.

16 Operation

VERIFYING THE OPERATION

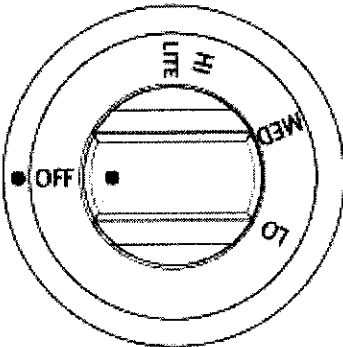
⚠ WARNING

- If the cooktop fails to operate properly, ensure that the electrical power supply and gas supply are turned on and that all installation steps have been carefully followed. Call a qualified service technician if the cooktop still does not operate properly.
- The cooktop and shut-off valve must be disconnected from the gas supply piping during any pressure testing exceeding 1/2 pound per square inch (3.5 kPA).
- The cooktop must be isolated from the gas supply piping by closing the shut-off valve during any pressure testing at or below 1/2 pound per square inch (3.5 kPA).

Before beginning the test procedure, ensure that the gas supply is turned off at the shut-off valve, all cooktop control valves are in the "OFF" position, and all burner rings, burner caps, and grates are properly positioned on the cooktop.

Rotate one knob at a time counterclockwise to the "HI/LITE" position. Verify that all igniters spark continuously, then return the knob to the "OFF" position. Repeat for all knobs. See **Figure 8**.

Figure 8



Turn on the main gas supply to the cooktop by opening the gas shut-off valve. Test each burner separately by pressing and turning one control knob at a time counterclockwise to the "HI/LITE" position. All ignitors will spark simultaneously. (It will take approximately four seconds for ignition to occur, at which time all igniters will stop sparking. If ignition does not occur within four seconds, turn off the knob, wait for at least two minutes to allow any gas to dissipate, then repeat this ignition test.) The control knob can then be rotated counterclockwise from "HI" to "LOW" to adjust the flame height progressively. Repeat the ignition test for all burners.

When installed properly, the flame will be steady and quiet. It will also have a sharp, blue inner cone that will vary in length proportional to the burner size. Flame adjustment will not be necessary.

Read and understand the accompanying **Use & Care Manual** prior to cooking with this appliance. The **Use & Care Manual** contains additional important safety, service and warranty information.



1-877-4Electrolux

www.electroluxusa.com
www.electroluxca.com