

HOOVER®

Owner's Manual

English → pp. 1-9

Español → pág. 10-14

Français → p. 15-19

Deluxe Hand/Mop Steam Cleaner Steamer

Thank you for selecting a HOOVER product.

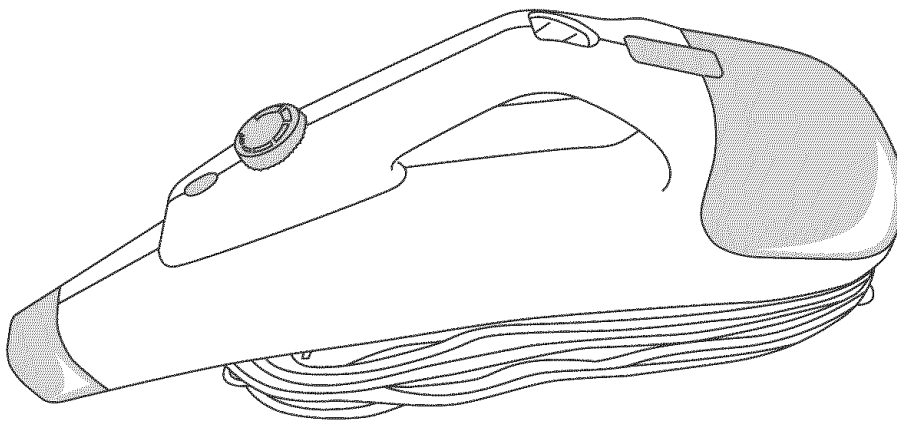
This cleaner was inspected and packaged carefully before being shipped from the factory. If you should happen to need assistance during assembly or operation,

Visit us online at www.hoover.com to find the service outlet nearest you (click on the "Service" button) or

Call **1-800-944-9200** for automated referral of authorized service outlet locations (U.S. only) or

Call 1-330-499-9499 to speak with a representative in our Consumer Response Center.

PLEASE DO NOT RETURN THIS PRODUCT TO THE STORE



**Review this manual before
operating steam cleaner.**



Fill in and retain

The model and serial number are located on the bottom of the steam cleaner.

For your personal records, please enter the COMPLETE model and serial number in the spaces provided and retain this information.

Your cleaner is model _____

and has serial number _____

It is suggested that you attach your sales receipt to this owner's manual. Verification of date of purchase may be required for warranty service of your Hoover product.

Index

Carton Contents	3
Cleaner Descriptions	3
How to Use	4-7
If You Have a Problem	8
Important Safeguards	2
Maintenance	
Storage	7
Nozzle cleaning pin	7
Calcium filter	7-8
Warranty	9

Important Safeguards!

When using an electrical appliance, always follow basic precautions, including the following:

READ ALL INSTRUCTIONS BEFORE USING THIS APPLIANCE

WARNING: CHOKING HAZARD - SMALL PARTS.

Warning: To reduce the risk of fire, electric shock, or injury:

- Do not use outdoors.
- Close supervision is necessary when any appliance is used by or near children. Do not allow cleaner to be used as a toy.
- Do not allow cleaner to run unattended at any time.
- Fill with cold water only.
- Do not use without tank and/or filter in place.
- Do not operate cleaner without water in the tank.
- Do not use with flammable or combustible materials or use in areas where they may be present.
- Do not direct steam at people, animals or at electrical devices.
- Keep hair, loose clothing, fingers, feet and all parts of body away from openings. Do not operate cleaner in bare feet or when wearing open toe shoes or sandals.
- Use extra care when cleaning on stairs.
- Do not put any object into openings. Do not use with any opening blocked; keep free of dust, lint, hair, or anything that may reduce flow.
- Do not pull or carry by cord, use cord as a handle, close door on cord or pull cord around sharp edges or corners. Keep cord away from heated surfaces.
- Always disconnect cord from electrical outlet before servicing the cleaner.
- Unplug cleaner when not in use. Turn off all controls before unplugging.
- Do not unplug by pulling on cord. To unplug, grasp the plug, not the cord. Never handle plug or appliance with wet hands.
- The use of an extension cord is not recommended.
- Store in a dry place. Do not expose machine to freezing temperatures.
- Do not use with damaged cord or plug. If appliance is not working as it should, has been dropped, damaged, left outdoors, or dropped into water, take it to a Hoover Factory Service Center or Authorized Hoover Warranty Service Dealer (Depot).
- Use cleaner only for its intended use as described in the instructions. Use only attachments recommended by The Hoover Company; others may cause hazards.



© 2003 The Hoover Company
www.hoover.com

Save these instructions!

Questions or Concerns?

The Hoover Company wants to quickly resolve any concerns about your steam cleaner or questions regarding its use. Look on the list provided with the product for your local **Hoover Factory Service Center** or in the Yellow Pages under "Vacuum Cleaners – Household" for the nearest **Authorized Hoover Warranty Service Dealer** (depot) or:

Visit us online at www.hoover.com to find the service outlet nearest you (click on the "Service" button) or call:

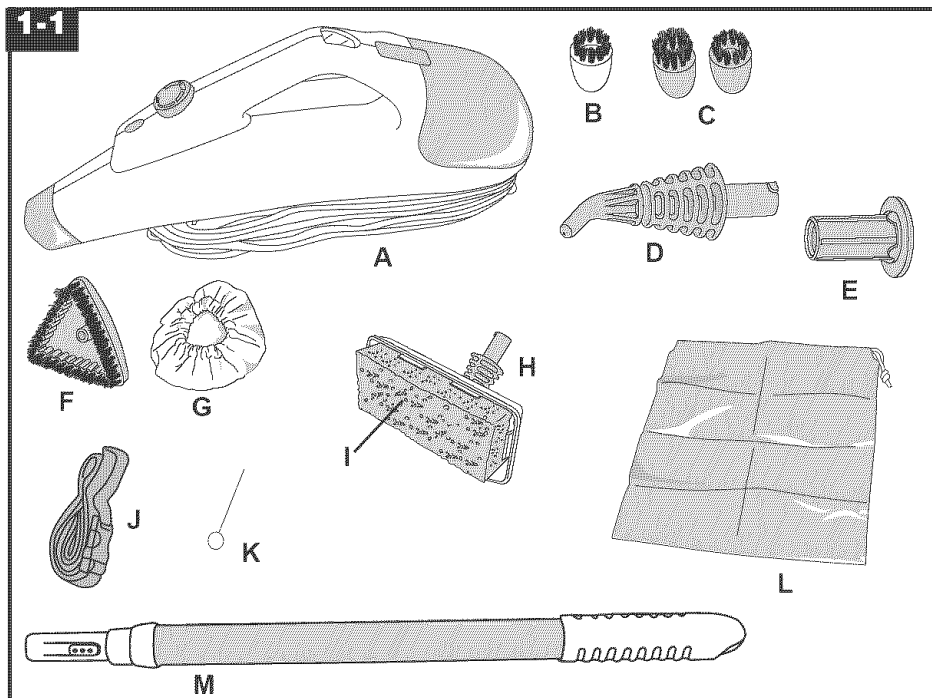
1-800-944-9200 for an automated referral of authorized service outlet locations (U.S. only) or call:

1-330-499-9499 to speak with a representative in the Hoover Consumer Response Center.

1. Carton contents

Unpack the steam cleaner from the carton and identify the parts shown. Remove and dispose of cardboard packing.

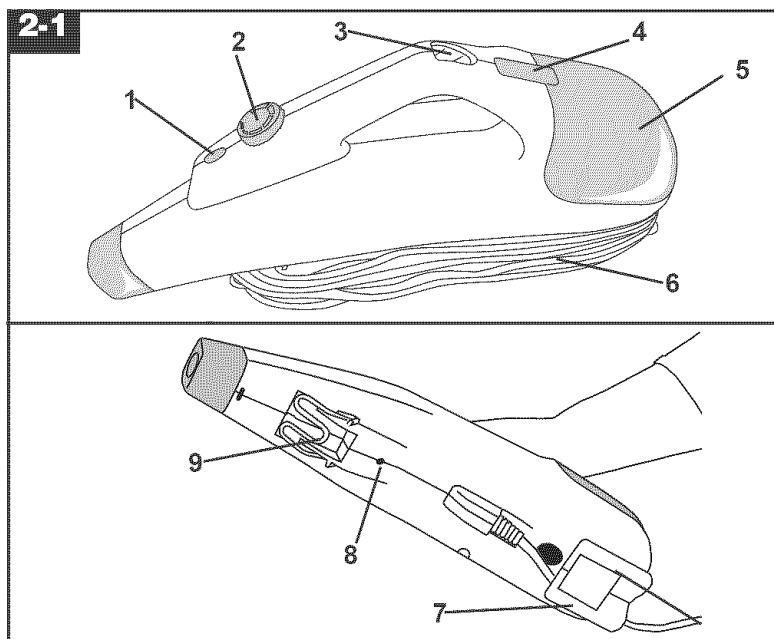
- A. Main body
- B. White round brush (1)
- C. Purple round brushes (2)
- D. Jet nozzle
- E. Turbo nozzle
- F. Triangular brush
- G. Cloth cover for triangular brush
- H. Mop pad
- I. Sponge for mop pad (attached to mop pad)
- J. Shoulder strap
- K. Nozzle cleaning pin
- L. Plastic bag for accessory storage
- M. Telescoping handle for mop use



This cleaner is intended for household use.

Operate cleaner only at voltage specified on data plate on bottom of cleaner.

2. Cleaner description



- 1. Indicator light
- 2. On/Off and steam adjustment knob
- 3. Opening for mop handle
- 4. Water tank lock
- 5. Water tank
- 6. Power cord
- 7. Resting foot/cord wrap
- 8. Safety valve
- 9. Cord hook

Polarized plug

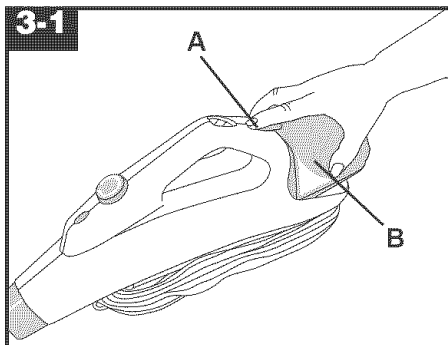
To reduce the risk of electric shock, this appliance has a polarized plug (one blade is wider than the other). This plug will fit in a polarized outlet only one way. If the plug does not fit fully in the outlet, reverse the plug. If it still does not fit, contact a qualified electrician to install the proper outlet. Do not change the plug in any way.

3. How to Use

CAUTION: THIS STEAM CLEANER BLOWS OUT A HIGH TEMPERATURE STEAM; DO NOT DIRECT TOWARDS PEOPLE, PETS OR ANY MATERIAL WHICH IS NOT HEAT RESISTANT.

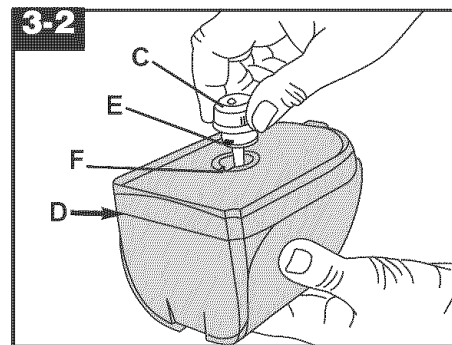
The temperature near the nozzle reaches 212°F (100°C).

The effective use of the steam cleaner is to apply steam at the nearest point to the nozzle.



3-1 Removing tank

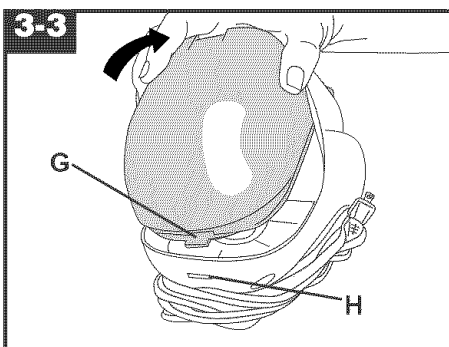
To remove the water tank, press the water tank lock button (A). Pull tank (B) off the cleaner body.



3-2 Fill tank

Turn tank upside down, unscrew cap (C) and remove. Fill tank with cold water until it reaches the line (E).

Line up tabs on cap (E) with slots in tank (F). Twist cap tightly closed.

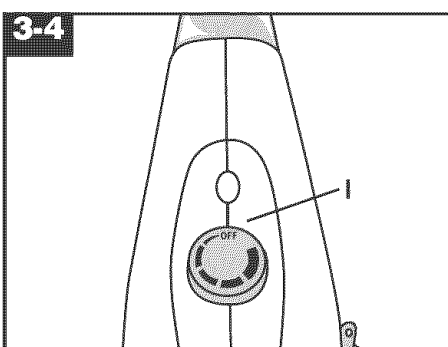


3-3 Replace tank

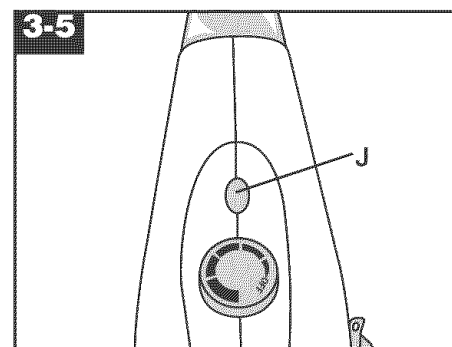
To replace tank, place tab on bottom of tank (G) into slot in the cleaner body (H).

Press tank down until the water tank lock button secures the front of the tank in place.

Be sure the tank is securely in place.



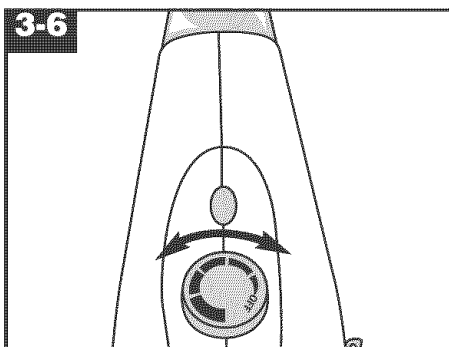
Turn ON/OFF knob (I) to OFF position. Plug cord into electrical outlet.



To turn steam cleaner ON, turn the knob in a clockwise direction.

The red indicator light (J) will begin to flash. The light will stop flashing and stay on when the steam cleaner has preheated and is ready for use.

(Approximately 30 seconds.)



To increase the volume of steam for tougher cleaning jobs, turn knob clockwise.

When less steam is desired, turn the knob counter clockwise.

Wipe surface dry with a cloth or paper towel.

Important reminders:

- Do not operate the steam cleaner with an empty water tank.
- Fill tank with cold water only. Do not fill with hot water.
- Do not mix cleaning detergents in the water tank. For stubborn dirt, the surface can be pre-treated with a detergent before using the steam cleaner.
- If steam is being used at the highest setting, do not continue at that level for more than 10 minutes.
- Do not run steam cleaner for a long successive time. (Not more than 1 hour at a time.)
- Do not store the steam cleaner with water in the water tank.
- This steam cleaner is designed for household use only.

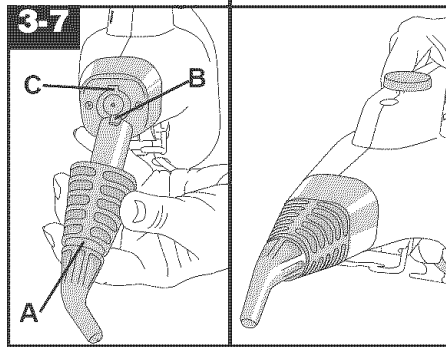
To use as a hand-held steamer

The steamer can be used as a hand-held cleaner for various cleaning jobs around the house. Use the following as a guide for the various accessories and recommended uses.

Turn cleaner **OFF** and unplug and allow to cool before attaching or removing any of the accessories.

NOTE: If using the steamer on waxed surfaces, test in a hidden area to check for effects on the wax.

CAUTION: Thermal shock can shatter glass. Before cleaning cold glass surfaces, carefully warm the surface by directing the steam jet on the glass from a distance of no less than 4"-6".



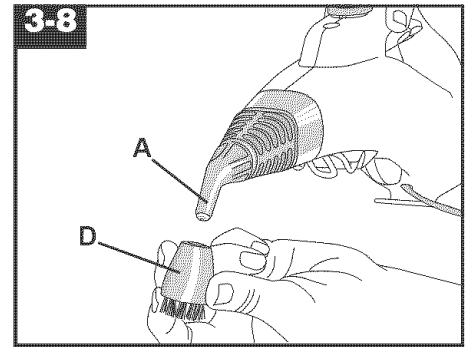
Using the jet nozzle

The **jet nozzle** (A) is used to concentrate the steam spray to increase cleaning power. It can be used in small, hard to reach spaces or where concentrated steam is needed.

To attach the jet nozzle, **turn steam cleaner OFF and allow to cool.** Align the tab (B) on the nozzle with the slot (C) on the front of the steam cleaner. Twist the nozzle in a clockwise direction to tighten. The tip of the nozzle should be facing downward.

Twist counter clockwise to remove.

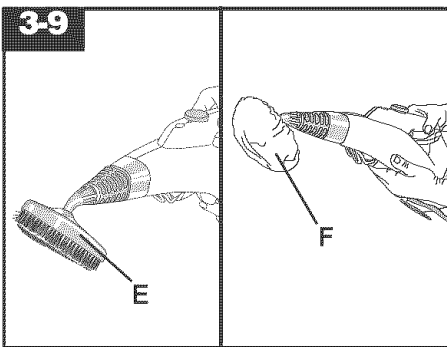
To begin cleaning, follow Figs. 3-5 & 3-6.



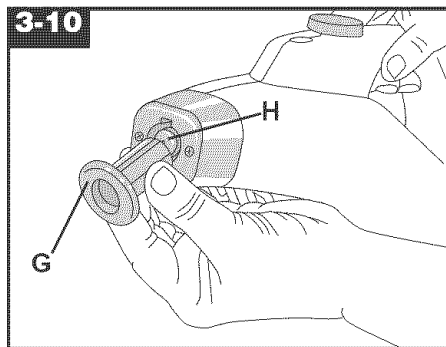
Using the brushes

To attach the brushes, **turn steam cleaner OFF and allow to cool.** The jet nozzle can be used by itself or with one of the brushes attached. All brushes attach in the same manner. Slide end of brush (D) over tip of nozzle (A). Twist slightly to tighten.

NOTE: The two purple brushes can be used in the kitchen, while the white brush can be reserved for use in the bathroom (toilet seat, tile grout, etc.).



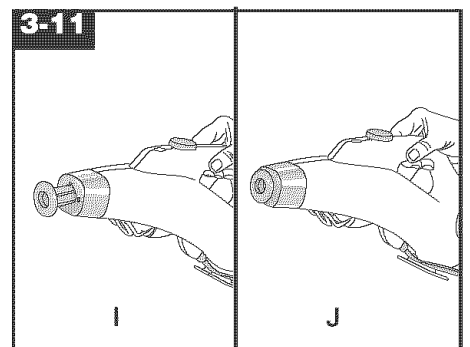
The **triangular brush** (E) can be used for larger areas (walls, floors, screens). The cloth (F) can be placed over the triangular brush to aid drying, for more even cleaning coverage and for cleaning flat or painted surfaces.



Using the turbo nozzle

The **turbo nozzle** (G) allows adjustment for a narrower or wider spray, depending on the area to be cleaned.

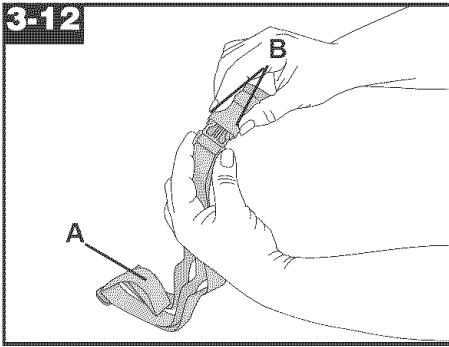
To attach the turbo nozzle, **turn steam cleaner OFF and allow to cool.** Push the nozzle straight into the hole (H) on the front of the steam cleaner.



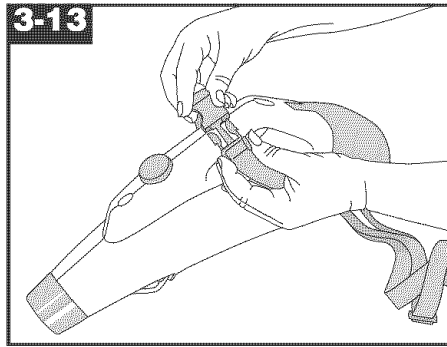
Pull the nozzle either out (I) for wider steam flow or push in (J) for narrower flow.

To begin cleaning, follow Figs. 3-5 & 3-6.

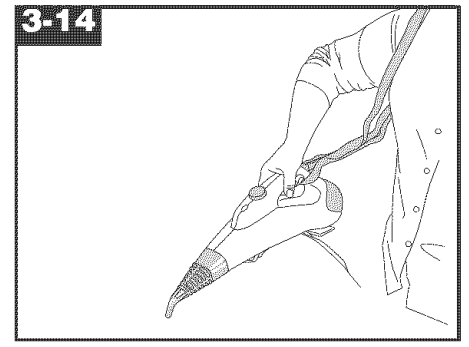
The turbo nozzle can be used on mirrors or windows.



Using the shoulder strap
A shoulder strap (A) is included for your convenience. Press the two sides of the clip (B) to unlock the shoulder strap.



Place the end of the strap with the clip through the handle of the steam cleaner and snap to close.

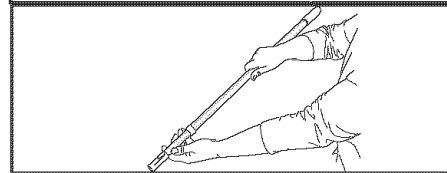
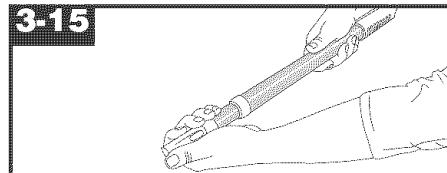


The shoulder strap may then be looped around the shoulder. Adjust to desired length.
To change accessories or to fill tank with water, press the two sides of the clip to unlock and pull through the handle of the steam cleaner.

To use as a mop

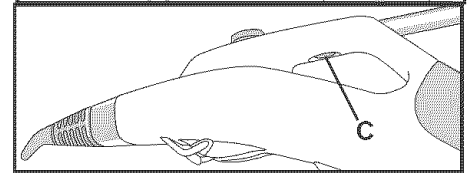
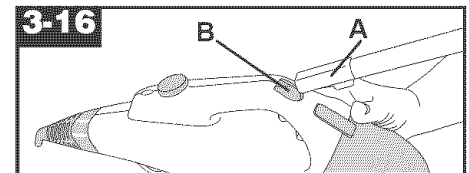
Installing the telescoping handle allows the steam cleaner to be used as a mop for cleaning floors or walls.

NOTE: If using the steamer on waxed surfaces, test in a hidden area to check for effects on the wax.



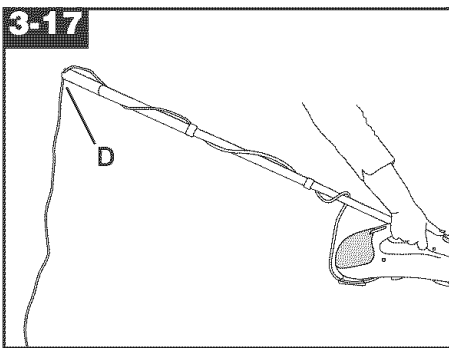
Attach the handle

The handle can be extended to three sections. Twist and pull to unlock the end and middle sections. After extension, twist slightly to lock in place. To shorten, reverse the procedure.

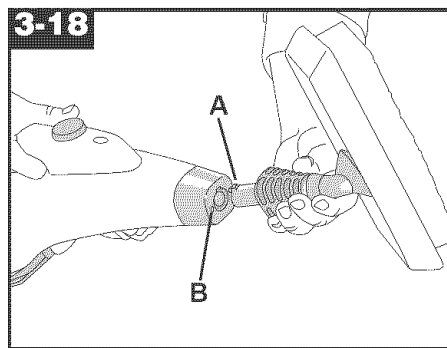


Place the end of the handle opposite the grip (A) with flat side up, into the opening (B) on the handle of the steam cleaner body. Push down until it locks in place and handle is firmly secured.

To remove the handle, press on the button (C) and pull the handle straight out.

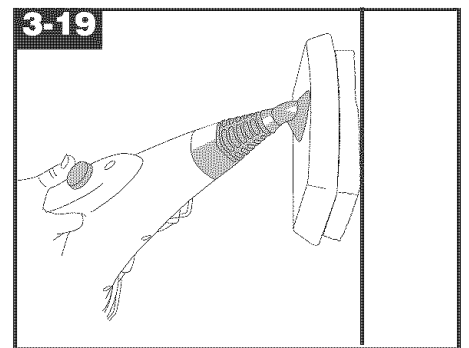


To keep the cord out of the way, coil it loosely around the handle. Insert the cord through the slot (D) on the handle grip to secure.



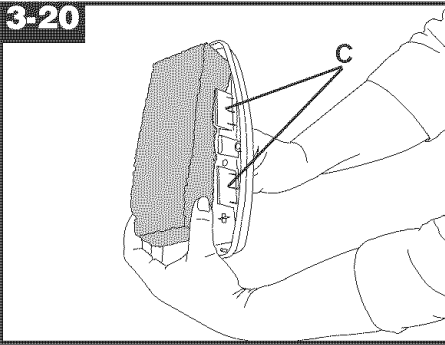
Using the mop pad

Align the tab (A) on the mop pad with the slot (B) on the front of the cleaner. Twist the pad in a clockwise direction to tighten.



Place the mop pad on the floor or wall surface to be cleaned. To begin cleaning, follow Figs. 3-5 & 3-6. The sponge, located on the underneath side of the mop pad, will aid in cleaning and drying the surface.

3-20



The sponge on the mop pad may be removed for cleaning or replacement. To remove, **turn the steam cleaner OFF, unplug and allow to cool.** Disconnect mop pad from the steam cleaner by twisting the pad in a counterclockwise direction.

Grasp edges of sponge and pull up slightly to release from tabs (C) on the sides of the mop pad.

To replace sponge, press sides of sponge under tabs, making sure all edges are held in place.

Do not use the mop pad without the sponge.

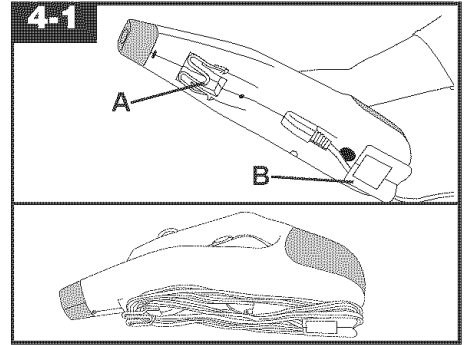
4. Maintenance

Familiarize yourself with the home maintenance tasks presented in the following sections. Keep this owner's manual in a convenient place where you can refer to it when needed. Proper use and care of cleaner will ensure continued cleaning effectiveness.

Storing the steam cleaner

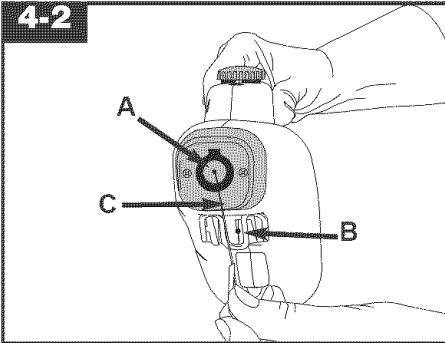
Turn steam cleaner OFF and disconnect from electrical outlet. Always empty the water tank before storing. Refer to Figs. 3-1 through 3-3.

4-1



Pull the metal cord hook (A) on the bottom of the steam cleaner out to allow the cord to be wrapped around it and the resting foot (B), located on the back of the cleaner. Press the cord hook back in place when cleaner is in use.

4-2

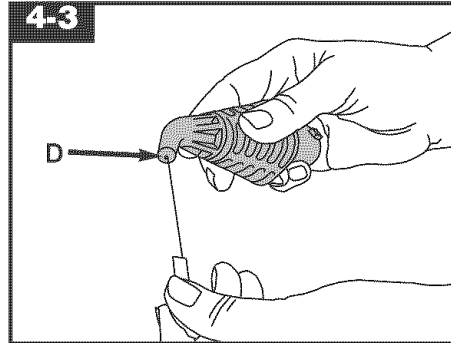


The nozzle cleaning pin

If a foreign substance clogs the hole (A) located on the front of the body of the steam cleaner, it will cause the safety valve (B) to release steam.

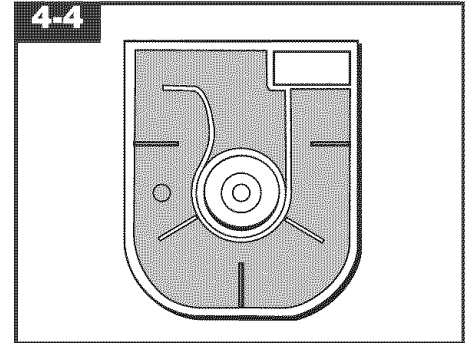
Unplug cleaner and allow to cool. Use the nozzle cleaning pin (C) to clean the hole periodically to prevent clogging.

4-3



The hole in the jet nozzle (D) can also be cleaned in the same manner.

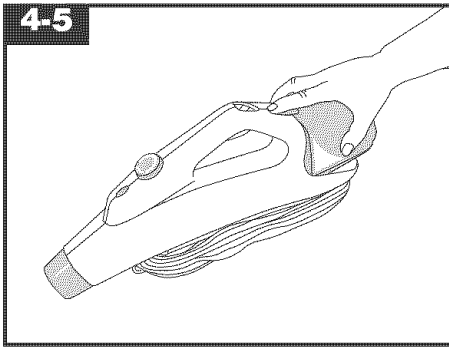
4-4



The calcium filter

The steam cleaner is equipped with a calcium filter which breaks down or dissolves calcium deposits in the water. The calcium filter cartridge filter is located under the water tank.

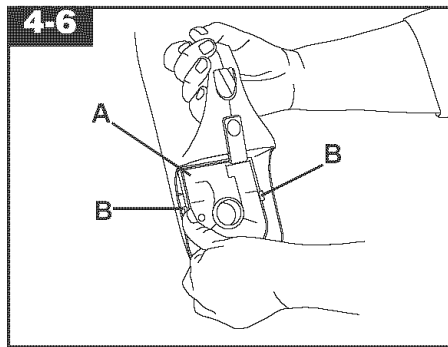
The filter cartridge should be changed once a year to maintain good cleaning performance. New calcium filter cartridges can be purchased from a Hoover Factory Service Center or purchased online at www.hoover.com. Ask for HOOVER part no. 59173030.



Removing the filter

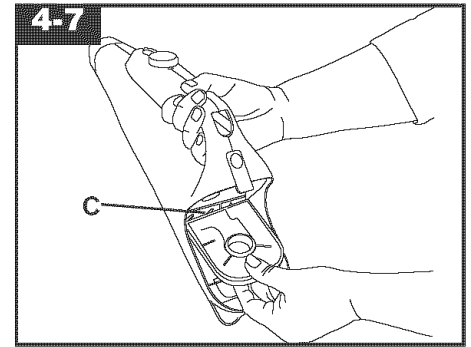
Turn steam cleaner OFF, unplug and allow to cool.

Remove the water tank.



To remove the cartridge (A), press outward on one of the two tabs (B) in the body of the steam cleaner.

Lift up on cartridge and pull out.



To replace the cartridge filter, place flat end (C) toward back wall of steam cleaner as shown, and snap in place.

Return water tank as described in Fig. 3-3.

5. If you have a problem

If a minor problem develops, it usually can be solved quite easily when the cause is found by using the checklist below.

Problem: Indicator light not lit

Possible cause

Possible solution

- **Not firmly plugged in.**
- *Plug in firmly.*
- **No voltage in wall plug.**
- *Check fuse or breaker.*
- **Blown fuse/tripped breaker.**
- *Replace fuse/reset breaker.*
- **Knob is turned OFF.**
- *Turn knob ON.*

Problem: Indicator light is on, but steam is not coming out

Possible cause

Possible solution

- **Cleaner not warmed up and indicator light is still flashing.**
- *Wait until the light has stopped flashing.*
- **Knob is turned to lowest setting.**
- *Turn knob to higher setting.*
- **Water tank is empty.**
- *Turn steam cleaner OFF and add water.*

Problem: Steam coming from safety valve

Possible cause

Possible solution

- **Possible obstruction in nozzle.**
- *Turn steam cleaner OFF and unplug from electrical outlet. Clean the nozzle hole with nozzle cleaning pin.*

Problem: Nozzle comes off during use

Possible cause

Possible solution

- **Nozzle not attached properly.**
- *Turn steam cleaner OFF, allow to cool and reattach nozzle (Fig. 3-7).*

Problem: Not able to install mop handle

Possible cause

Possible solution

- **The handle is not fully extended.**
- *Fully extend handle (Fig. 3-15).*

Service

To obtain approved HOOVER service and genuine HOOVER parts, locate the nearest **Hoover Factory Service Center or Authorized Hoover Warranty Service dealer (depot)** by:

- checking the Yellow Pages under "Vacuum Cleaners – Household" OR–
- checking the list of Factory Service Centers provided with this cleaner OR–
- checking the Service section of The Hoover Company on-line at www.hoover.com OR–
- calling 1-800-944-9200 for an automated referral of authorized service outlet locations (U.S. only).

Do not send your cleaner to the Hoover Company in North Canton for service, this will only result in a delay.

If further assistance is needed, contact The Hoover Company Consumer Response Center, North Canton, Ohio 44720, Phone: 330-499-9499.

In Canada, contact Hoover Canada, Burlington, Ontario L7R 4A8, Phone: 1-800-263-6376.

Always identify your cleaner by the **complete** model number when requesting information or ordering parts. (The model number appears on the bottom of the cleaner.)

Full One Year Warranty (Domestic Use)

Your HOOVER® appliance is warranted in normal household use, in accordance with the Owner's Manual against original defects in material and workmanship for a period of one full year from date of purchase. This warranty provides, at no cost to you, all labor and parts to place this appliance in correct operating condition during the warranted period. This warranty applies when the appliance is purchased in the United States including its territories and possessions, or in Canada or from a U.S. Military Exchange. Appliances purchased elsewhere are covered by a limited one year warranty which covers the cost of parts only. This warranty does not apply if the appliance is used in a commercial or rental application.

Warranty service can only be obtained by presenting the appliance to one of the following Authorized Warranty Service outlets. Proof of purchase will be required before service is rendered.

1. Hoover Factory Service Centers
2. Hoover Authorized Warranty Service Dealers (Depots)

For an automated referral of authorized service outlets in the U.S.A., phone 1-800-944-9200 OR

visit The Hoover Company on-line at www.hoover.com

This warranty does not cover pick up, delivery, or house calls; however, if you mail your appliance to a Hoover Factory Service Center for warranty service, transportation will be paid one way.

While this warranty gives you specific legal rights, you may also have other rights which vary from state to state (or province).

If further assistance is needed, or if there are questions concerning this warranty or the availability of warranty service outlets, write or phone the Consumer Response Center, The Hoover Company, 101 East Maple St., North Canton, Ohio 44720.
Phone 330-499-9499.

In Canada, contact Hoover Canada, Burlington, Ontario, L7R 4A8.
Phone 1-800-263-6376.