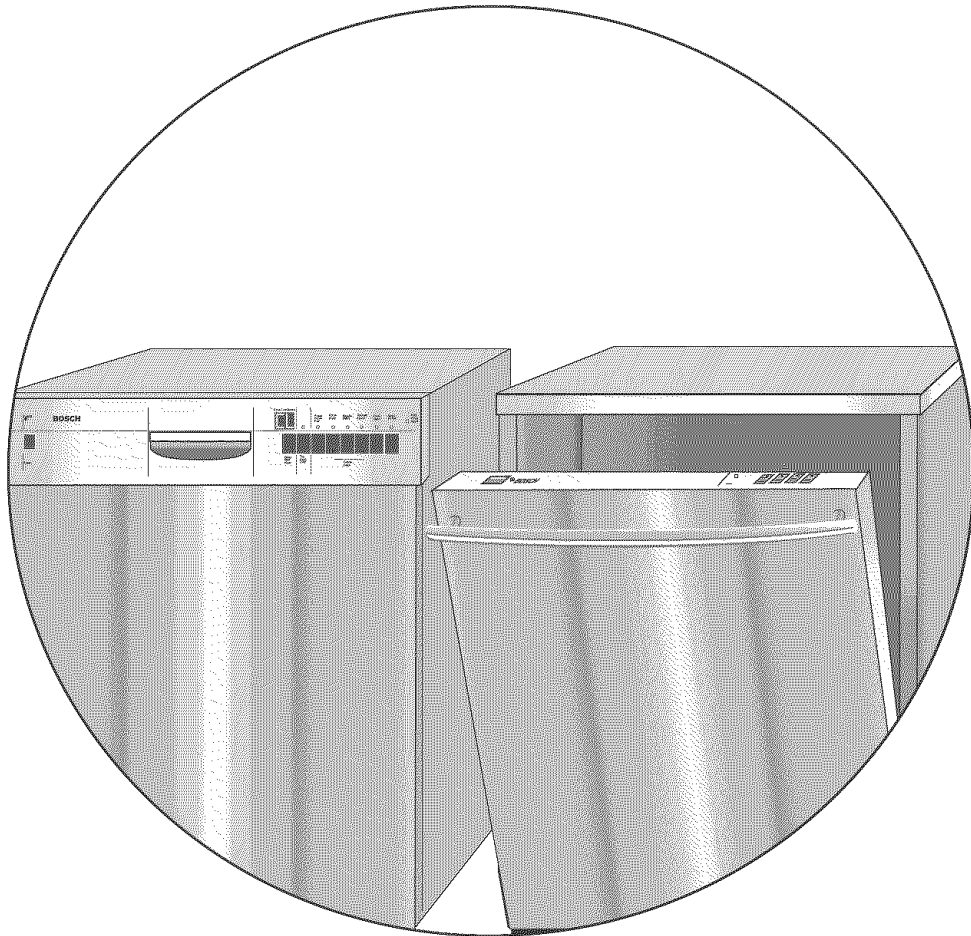


BOSCH

YOUR LIFE. OUR INSPIRATION.

Dishwasher Installation Instructions **Instructions d'installation du lave-vaisselle** **Instrucciones de instalación para lavavajillas**



Use and Care Manual located on reverse side
Tourner le guide pour les instructions d'utilisation et d'entretien
Voltee el manual para encontrar las instrucciones de uso y cuidado

9000089901 (8506)

BOSCH**Table of Contents**

Read these Installation Instructions completely and follow them carefully.

IMPORTANT INSTRUCTIONS	1	Placing the Dishwasher	10
Tools Needed	2	Securing the Dishwasher	10
Materials Needed	2	Drain Hose Connection	11
Materials Supplied	3	Hot Water Connection	12
Enclosure Preparation	4	Electrical Connection	13-14
Electrical Preparation	5	Door Tension Adjustment	14
Plumbing Preparation	6-7	Base and Toe Panel	14-15
Dishwasher Preparation	7-8	Final Instructions	15
Door Panel Installation	9	Customer Service	16

Important Safety Instructions**⚠ WARNING**

To avoid possible injury or property damage, **OBSERVE ALL WARNINGS AND CAUTIONS.** These instructions are intended for use by qualified installers only.

The dishwasher must be installed by a qualified service technician.

- In addition to these instructions, the dishwasher shall be installed to meet all electrical and plumbing codes and ordinances (both national and local).

Read these installation instructions completely and follow them carefully. They will save you time and effort and help to ensure safety and optimum dishwasher performance.

CAUTION

If the dishwasher is installed in a location that experiences freezing temperatures (e.g., in a holiday home), you must drain all the water from the dishwasher's interior. Water system ruptures that occur as a result of freezing are not covered by warranty.

IMPORTANT

- The dishwasher drain hose must be installed with a portion of it at least 20" (508mm) off the cabinet floor; otherwise the dishwasher may not drain properly.
- This dishwasher is intended for residential use only, and should not be used in commercial food service establishments.
- **NEW INSTALLATION** - If the dishwasher is a new installation, most of the work must be done before the dishwasher is moved into place.
- **REPLACEMENT** - If the dishwasher is replacing another dishwasher, check the existing dishwasher connections for compatibility with the new dishwasher, and replace parts as necessary.
- This appliance has been found to be in compliance with CAN/CSA-C22.2 No. 167/UL 749. It is the responsibility of the owner and the installer to determine if additional requirements and standards apply in specific installations.

Inspect the Dishwasher

After unpacking the dishwasher and prior to installation, thoroughly inspect the dishwasher for possible freight or cosmetic damage. Report any damage immediately. Cosmetic defects must be reported within 30 days of installation.

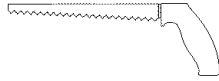
NOTE: Do not discard any bags or items that come with the original package until after the entire installation has been completed.

Tools and Materials Needed

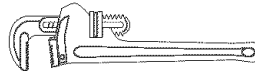
TOOLS NEEDED



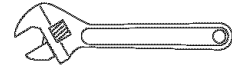
Hammer



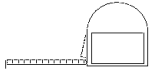
Hole Saw



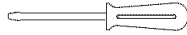
Pipe Wrench



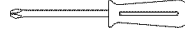
Adjustable Wrench



Tape Measure



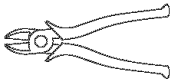
Slot Screwdriver



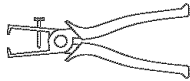
Phillips Screwdriver



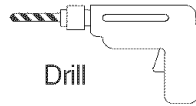
T-20 Screwdriver



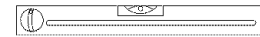
Wire Cutter



Wire Stripper



Drill



Level

MATERIALS NEEDED

(Additional materials may be required to comply with local codes.)



Electrical Supply Cable - Minimum #14 AWG, 2 conductor, 1 ground, insulated copper conductors rated 75°C or higher.



Hot Water Supply Line - Minimum 3/8" O.D. copper tubing or metal braided dishwasher supply line.



Shut-off valve and fittings appropriate for hot water supply line (copper tubing/compression fitting, or braided hose).



90° elbow with 3/8" N.P.T. male threads on one leg, and sized to fit your water supply line (copper tubing/compression fitting, or braided hose) on the other leg.



Teflon tape or other pipe thread compound to seal plumbing connections.



UL listed conduit connector or strain relief.

MATERIALS SUPPLIED

Accessory Parts Supplied

Accessory parts for your dishwasher come in one or more plastic bags that are outlined below.

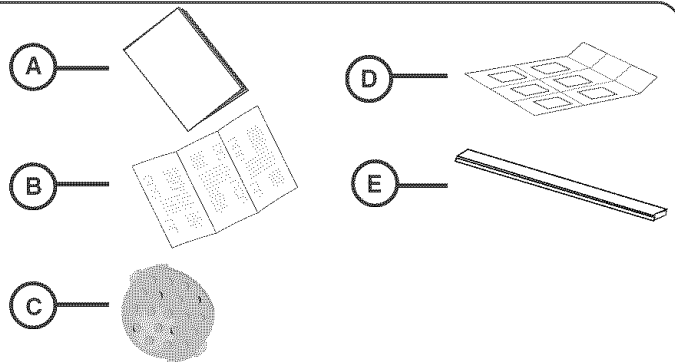
NOTE: Make sure you save all the bags until you have completed your installation.

NOTE: Always use the supplied or recommended hardware.

Manual Set Bag

A Manual Set Bag is provided with each dishwasher and includes:

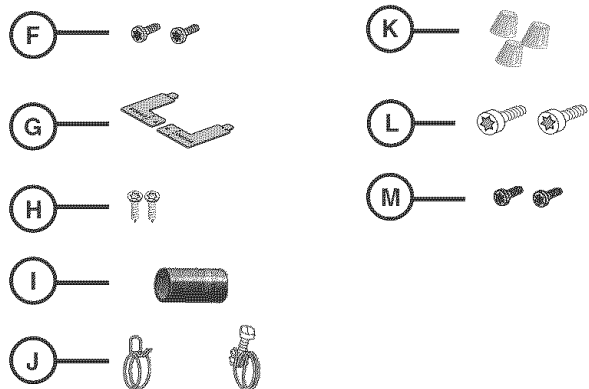
- A** Use & Care Instructions and Installation Instructions (both manuals may be included in a single "flip-style" book)
- B** Quick Reference Guide (select models)
- C** Extra Tall Item Sprinkler
- D** SHI and SHV Installation Template (SHI and SHV models only)
- E** White Cotton Insulation Strip (SHY66C, SHX99A, SHE66C, SHE99C and SHX57C models only)



Dishwasher Installation Kit

A Dishwasher Installation Kit is provided with each dishwasher and includes:

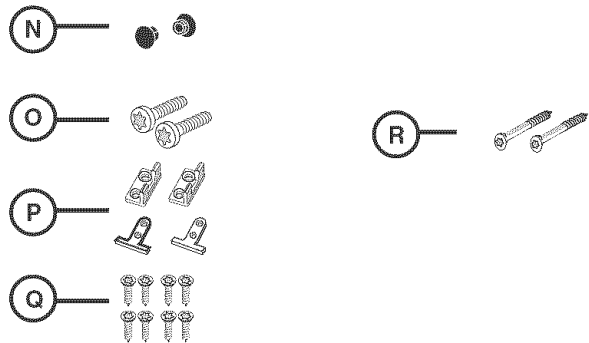
- F** Toe Panel Screws (2 black machine screws)
Note: These screws are included, but not used on models with the Toe Panel Installation Kit.
- G** Counter Top Mounting Brackets (2 "L" shaped metal brackets)
- H** Mounting Bracket Screws (2 silver wood screws)
- I** Rubber Drain Hose Adaptor (1 black rubber tube)
- J** Hose Clamps (1 silver spring clamp to use to attach the rubber adaptor to the Drain Hose and 1 gold screw clamp to attach the rubber adaptor to the plumbing)
- K** Wire Nuts (3 for electrical connection)
- L** Electrical Junction Box Screws (2 silver machine screws)
- M** Leg Leveler Locking Screws (2 gold coarse threaded screws)



SHI/SHV Door Panel Installation Kit

A Door Panel Installation Kit is provided with select dishwashers that use a custom wood door panel and includes:

- N** Plastic Caps (2)
- O** Spring Tension Screws (2 larger silver machine screws used to adjust the door springs to accommodate doors of different weights)
- P** Door Mounting Brackets (2 gold metal brackets and 2 white plastic brackets used to mount the custom door)
- Q** Door Mounting Bracket Screws (8 silver wood screws)
- R** Door Mounting Screws (2 long silver screws used to attach the door)



Toe Panel Installation Kit

A Toe Panel Installation Kit is provided on models SHY66C, SHX99A, SHE66C, SHE99C and SHX57C. These models have a special noise reducing Toe Panel with the following mounting hardware:

- S** Toe Panel Screws (2 black screws used to attach the metal Toe Panel)
- T** Black Plastic Base Access Panel Screws (2 long silver screws used to attach the Black plastic Base Access Panel to the dishwasher.



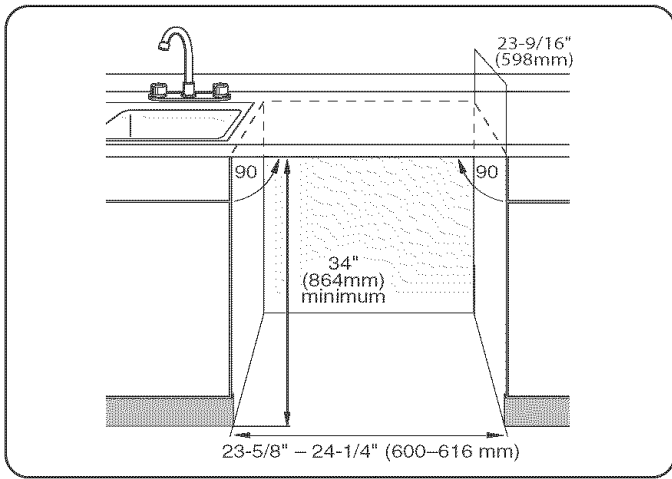


Figure 1

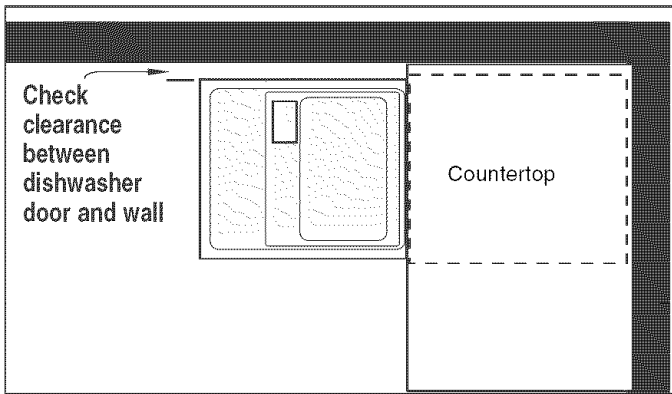


Figure 2

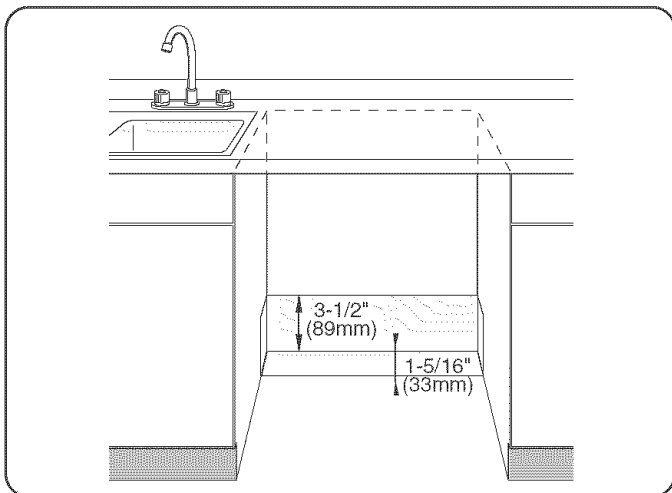


Figure 3

⚠ WARNING

Electrical Shock Hazard

To avoid electrical shock, make sure the water supply and electrical supply are shut off before installation or service.

ENCLOSURE PREPARATION

NOTE: This dishwasher is designed to be enclosed on the top and both sides by standard residential kitchen cabinetry.

Select a location as close to the sink as possible for easy access to water supply and drain lines.

For proper dishwasher operation and appearance, ensure that the enclosure is square and has the dimensions shown in **Figure 1**.

If the dishwasher is to be installed in a corner, make sure that there is adequate clearance to open the door. See **Figure 2**.

⚠ WARNING

Electrical Shock/Fire Hazard

To avoid electric shock or fire, do not allow the electrical and water supply lines to touch. Separate channels are provided under the dishwasher (see page 10).

If the enclosure requires openings for the electrical supply cable, hot water supply line, and dishwasher drain hose, place them within the dimensions shown by the shaded area of **Figure 3** to avoid interference with the dishwasher frame or other components. Make the openings for the electrical supply cable and hot water supply line 1" (25.4mm) diameter. Make the opening for the dishwasher drain hose 1-1/4" (32mm) diameter. If the openings are made through wood, sand them smooth. If the openings are made through metal, make them large enough to accommodate grommets or other protective sheaths with inside diameters of 1" (25.4mm) for the electrical supply cable and the hot water supply line, and 1-1/4" (32mm) for the dishwasher drain hose.

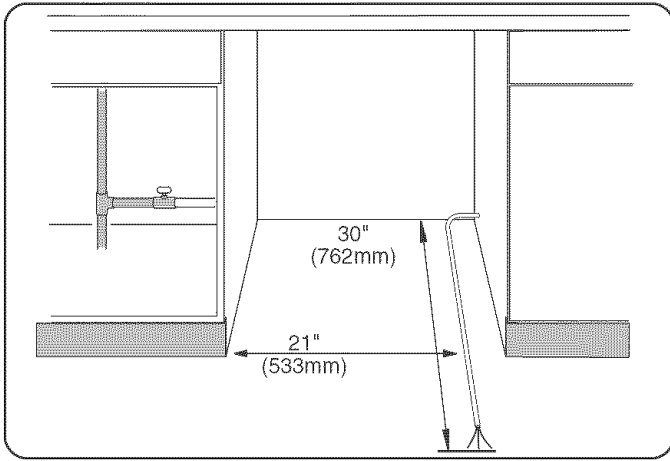


Figure 4

Dishwasher Electrical Rating

Volts	Hertz	Amperes	Watts
120	60	15	1,450 (max)

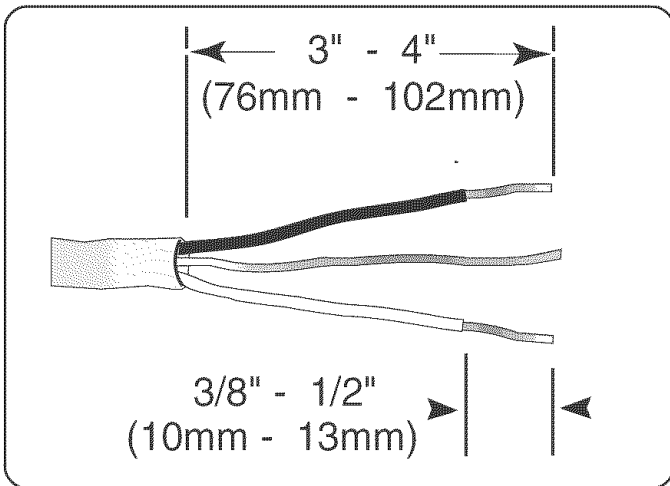


Figure 5

ELECTRICAL PREPARATION

⚠ WARNING

Electrical Shock Hazard

To avoid electrical shock, do not work on an energized circuit. Doing so could result in serious injury or death. Only qualified electricians should perform electrical work. Do not attempt any work on the dishwasher electric supply circuit until you are certain the circuit is de-energized.

⚠ WARNING

Fire Hazard

To avoid a fire hazard, make sure electrical work is properly installed. Only qualified electricians should perform electrical work.

Electrical Supply

The customer has the responsibility of ensuring that the dishwasher electrical installation is in compliance with all national and local electrical codes and ordinances. The dishwasher is designed for an electrical supply of 120V, 60 Hz, AC, connected to a dishwasher-dedicated, properly grounded electrical circuit with a fuse or breaker rated for 15 amps. Electrical supply conductors shall be a minimum #14 AWG copper wire rated at 75°C or higher.

Regardless of where the electrical supply cable enters the enclosure, position the cable 21" (533mm) from the enclosure's left side, as shown in **Figure 4**. Extend the cable 30" (762mm) from the enclosure's back, as shown in **Figure 4**.

Remove 3" - 4" (76mm - 102mm) of the cable's outer casing, as shown in **Figure 5**, then remove 3/8" - 1/2" (10 - 13mm) of insulation from each wire, as shown in **Figure 5**.

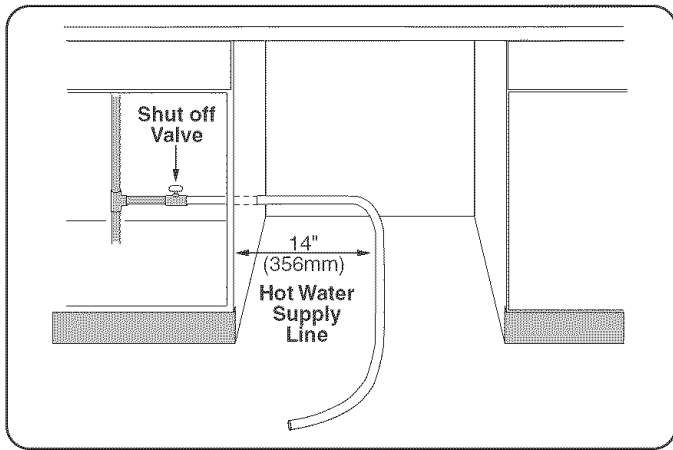


Figure 6

PLUMBING PREPARATION

⚠ WARNING

Scald Hazard

To avoid being scalded, do not perform any work on a charged hot water line. Serious injury could result. Only qualified plumbers should perform plumbing work. Do not attempt any work on the dishwasher hot water supply plumbing until you are certain the hot water supply is shut off.

CAUTION

Temperatures required for soldering and sweating will damage the dishwasher's base and water inlet valve. If plumbing lines are to be soldered or sweated, keep the heat source at least 6 inches (152.4 mm) away from the dishwasher's base and water inlet valve.

Hot Water Supply

The hot water heater should be set to deliver approximately 120° F (49° C) water to the dishwasher. Water that is too hot can cause some detergents to lose effectiveness. Lower water temperatures will increase run times. The hot water supply pressure must be between 15 - 145 psi (1 - 10 bar).

Hot Water Supply Plumbing

Install an easily accessible shut-off valve (not supplied) in the hot water supply line, as shown in **Figure 6**. All solder connections must be made before the water line is connected to the dishwasher's water inlet valve. Water may also be supplied to the dishwasher by using a stainless steel braided hose approved for dishwasher use. Check with your local plumbing supply sources for the proper hose and 90° elbow fitting.

NOTE: Regardless of where the hot water supply line enters the enclosure, position the line 14" (356mm) from the enclosure's left side, as shown in **Figure 6**.

NOTE: Decide whether stainless steel braided hose approved for dishwasher use or copper tubing will be used for the hot water supply plumbing, and purchase the correct type of hot water supply shut-off valve, 90° elbow, and necessary fittings for the hot water supply plumbing.

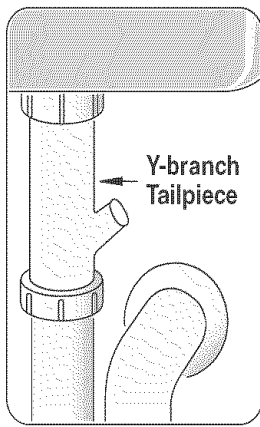


Figure 7

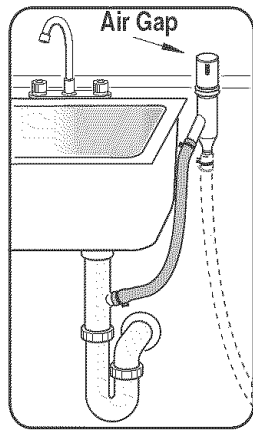


Figure 8

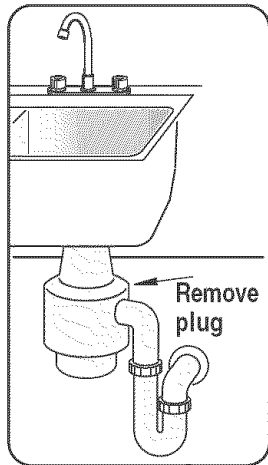


Figure 9

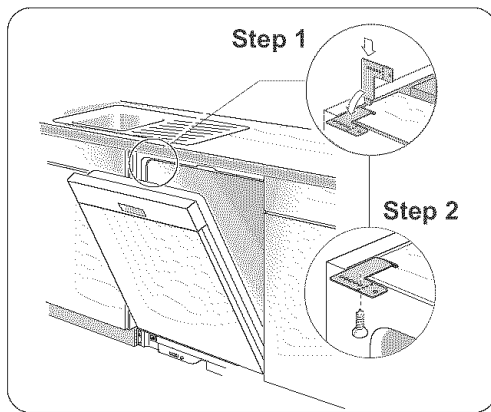


Figure 10

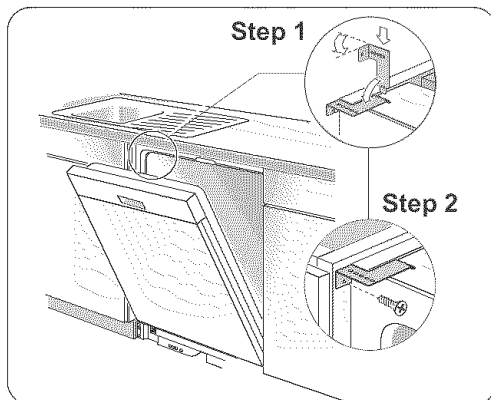


Figure 11

PLUMBING PREPARATION (continued)

Drain Plumbing

Under Sink Drain Connection

If the dishwasher is to drain either directly into the household drain plumbing or through an air gap, install a y-branch tailpiece under the sink as shown in **Figure 7**.

Installing an Air Gap

If local ordinances require an air gap, as shown in **Figure 8**, install it according to the manufacturer's instructions.

Disposer

Make sure to remove the disposer's dishwasher drain connection plug before connecting the dishwasher drain hose. See **Figure 9**.

DISHWASHER PREPARATION

Dishwasher preparation involves four tasks:

- Installing the Mounting Brackets
- Removing the Toe Panel
- Installing the 90° elbow fitting
- Junction Box Preparation

Installing the Countertop Mounting Brackets

CAUTION

Before installing the supplied countertop mounting brackets, decide which method of securing the dishwasher into its enclosure will be used. Once the mounting brackets are installed on the dishwasher, removing them is difficult and will damage the mounting brackets and the dishwasher.

The dishwasher can be secured into its enclosure in two ways:

- 1 Top Mount** is used for countertops made of wood or other materials that can easily be drilled. Orient the mounting brackets as shown in **Figure 10**, and position the two small tabs on the mounting brackets over the two slots on the dishwasher's front corners. Push the mounting brackets down firmly to insert the tabs into the slots.
- 2 Side Mount** is used for countertops made of marble, granite, or other very hard materials that cannot be easily drilled. Bend the mounting brackets along the small holes and in the same direction as the two small tabs. Orient the mounting brackets as shown in **Figure 11**, and position the two small tabs on the mounting brackets over the two slots on the dishwasher's front corners. Push the mounting brackets down firmly to insert the tabs into the slots.

WARNING

Tip Over Hazard

To avoid a tip over hazard, do not use the dishwasher until it is completely installed. When opening the door on an uninstalled dishwasher, carefully open the door while supporting the rear of the unit. Failure to follow this warning can result in serious injury.

DISHWASHER PREPARATION (continued)

⚠ CAUTION
 When any covers are removed or the dishwasher is out of the cabinet, electrical power and sharp edges or points may be exposed.

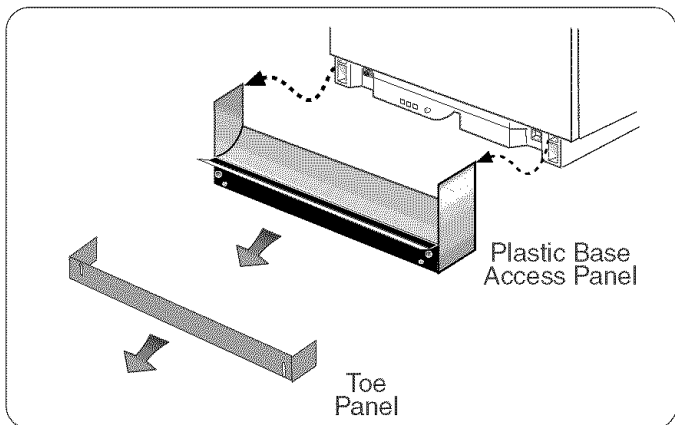


Figure 12

Removing the Toe Panel

Regular Toe Panel

The toe panel is loosely attached with tape. Remove the tape and pull the toe panel away from the dishwasher. Set the toe panel aside. It will be reinstalled later.

Plastic Base Access Panel and Toe Panel (SHY66C, SHX99A, SHE66C, SHE99C and SHX57C models only)

The plastic base access panel and toe panel are in place on the dishwasher, but are not attached. Remove the toe panel first, as shown in **Figure 12**, then remove the plastic base access panel, as shown in **Figure 12**.

CAUTION
 Do not overtighten the 90° elbow. Doing so may damage the water inlet valve and cause a water leak.

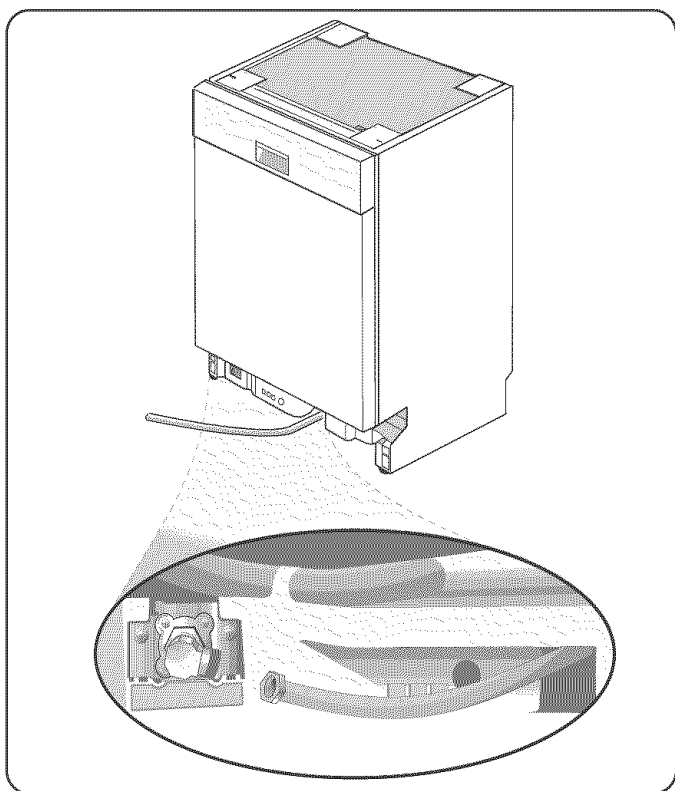


Figure 13

Installing the 90° Elbow Fitting

NOTE: The 90° elbow fitting is **not** supplied with the dishwasher, and must be purchased separately. If the dishwasher's hot water supply line is to be copper tubing, make certain the elbow has a compression fitting. Apply Teflon tape or other pipe sealant when required. Orient the hot water supply connection leg of the elbow toward the channel opening in the dishwasher base. See **Figure 13**.

Junction Box Preparation

- 1 Remove junction box cover (see **Figure 14**) by lifting the junction box cover up and off.
- 2 Remove the strain relief plate by removing the screw at the back of the junction box, as shown in **Figure 15** and sliding the strain relief plate out.
- 3 Set the junction box cover, strain relief plate, and screw aside. They will be re-installed later.

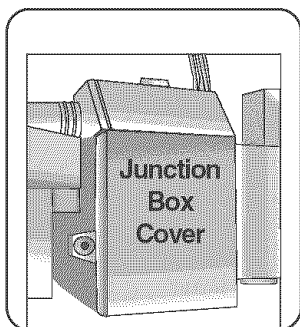


Figure 14

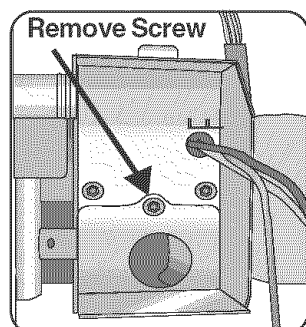


Figure 15

DOOR PANEL INSTALLATION

SHU/SHE Models - Accessory Panel Installation

If you have an SHU/SHE model and have ordered an accessory panel kit, install the panel prior to sliding the dishwasher into place. The panel dimensions are shown in **Figure 16**.

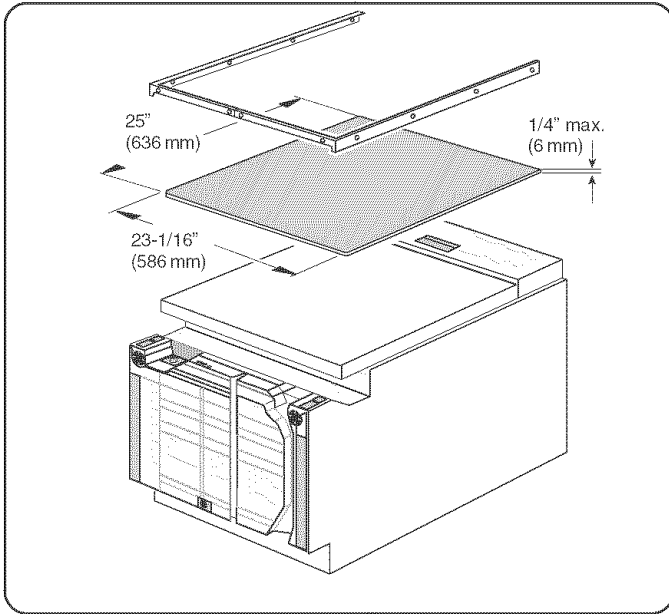


Figure 16

SHI Models - Panel Installation

SHI models come with additional mounting hardware and a template sheet with installation instructions. The stainless steel models of the SHI series also come with two extension pieces. The extension pieces are used to match the control panel height (**Figure 17**, "B" dimension) to the horizontal drawer line of the cabinets, and must be installed as shown in on the template sheet. The standard piece is used for drawer heights up to 6" (152mm); the long piece is used for drawer heights greater than 6" (152mm) but 6-7/16" (164mm) or less. If your drawers are taller than 6-7/16", you can either slide the extension piece in as far as it will go, or remove it and fit the door panel directly below the control panel.

SHI/SHV Models - Panel Installation

SHV models come with additional mounting hardware and a template sheet that will show you how to mount the panel. One side of the template shows how to mount a one piece panel; the other side shows how to mount a two piece panel. Decide which type of installation you want before proceeding with the installation.

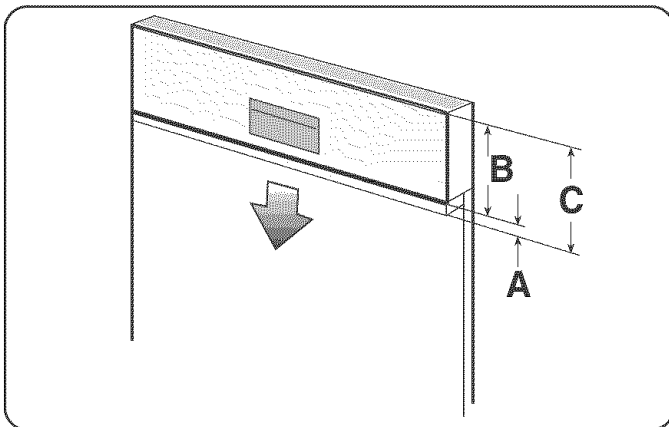


Figure 17

Fig. 17 Dimension	Extension "A" Max. - Min.		"B"	"C" Max.-Min.
	Standard	Long		
SHI Only	5/16 - 11/16" (8-18mm)	11/16 - 1 1/8" (18 - 29mm)	5 5/16" (135mm)	5 5/8 - 6 7/16" (143 - 164mm)

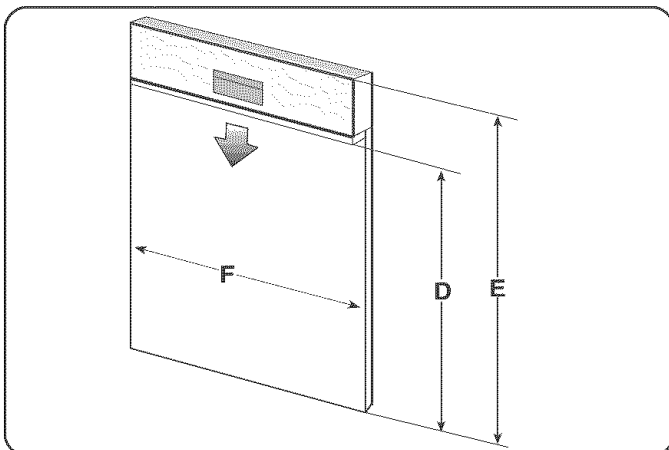


Figure 18

Fig. 18 Dimension	Panel Dimension
D (SHI)	20 11/16" - 25" (526mm - 635mm)
E (SHI & SHV)	27 3/16" - 30 5/16" (690mm - 770mm)
F (SHI & SHV)	23 3/16" - 23 3/8" (589mm - 594mm)

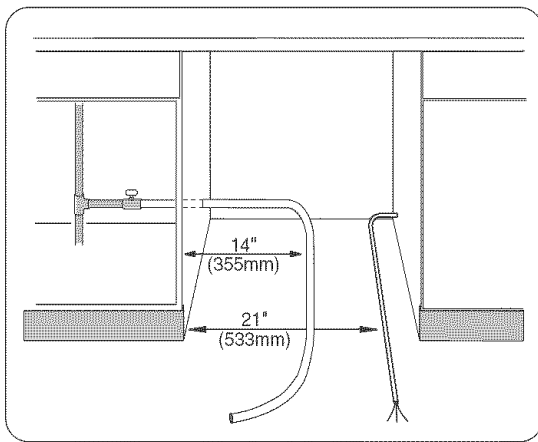


Figure 19

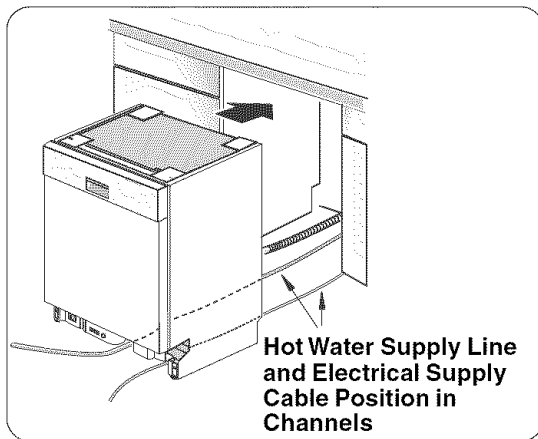


Figure 20

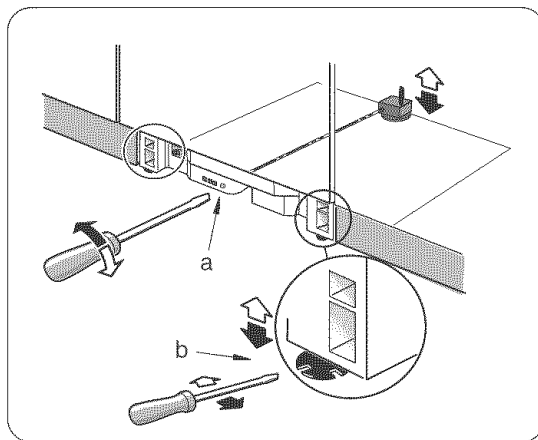


Figure 21

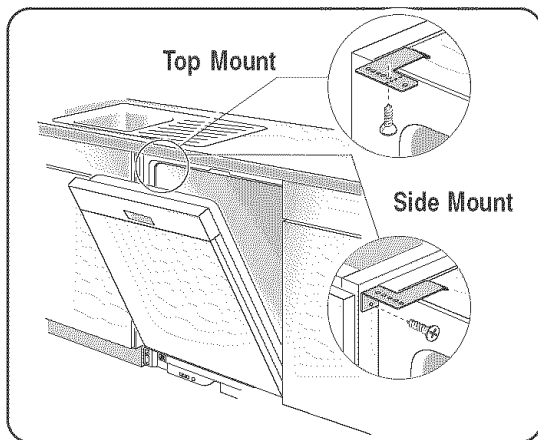


Figure 22

PLACING THE DISHWASHER

- 1 Straighten and position the hot water supply line and the electrical supply cable as shown in **Figure 19** so that they will align with their channels under the dishwasher base.
- 2 Position the dishwasher close enough to the enclosure so that you can run the dishwasher drain hose to the under sink drain connection. Make certain that the hot water supply line and the electrical supply cable are in their channels under the dishwasher base, as shown in **Figure 20**.
- 3 Slide the dishwasher into the opening making sure that the hot water supply line and the electrical supply cable stay in their proper channels.
- 4 Make sure the dishwasher is level. Adjust the rear leveler by turning the center screw at the front of the dishwasher, as shown in **Figure 21a**. Turning the screw clockwise raises the rear of the dishwasher. Adjust the front levelers by turning them with a screwdriver, as shown in **Figure 21b**. Turning the levelers to the right raises the dishwasher. If additional height is needed, shims may be added under the leveler feet.

SECURING THE DISHWASHER

- 1 Drive the mounting screws through the holes in the mounting brackets as shown in **Figure 22** for Top or Side Mount.

Drain Hose Connection

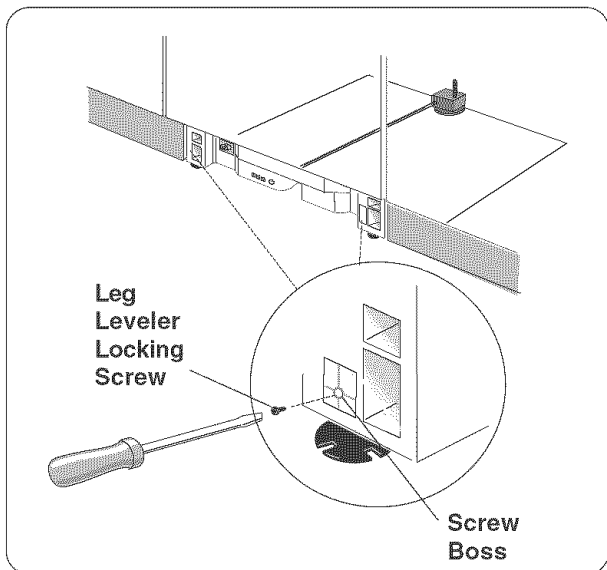


Figure 23

- 2 After the unit is installed in the enclosure, leveled and secured, lock the two front leg levelers in place by driving the enclosed leg leveler locking screws into each screw boss located in front of the levelers. See **Figure 23**.
- 3 Tighten screws until they are flush with the surface of the bosses.

Installation of the Rubber Drain Hose Adaptor

- 1 Obtain the Rubber Drain Hose Adaptor and the two hose clamps from the Dishwasher Installation Kit.
- 2 On one outside end of the Rubber Drain Hose Adaptor is a raised rib. Insert the drain hose into the **end without the raised rib**. Be sure to fully insert the drain hose.
- 3 Secure the connection with the Silver Spring Clamp.
- 4 Use the Gold Screw Clamp to attach the Rubber Drain Hose Adaptor to the house plumbing.

Connecting the Drain Hose to the Household Plumbing

The dishwasher drain hose may be connected to the drain plumbing in one of four ways:

- 1 Directly to the undersink dishwasher drain connection, as shown in **Figure 24**.
- 2 Directly to a disposer dishwasher drain connection, as shown in **Figure 25**.
- 3 To the undersink dishwasher drain connection through an air gap, as shown in **Figure 26**.
- 4 To a disposer dishwasher drain connection through an air gap, as shown on **Figure 27**.

Information on installing air gaps and disposers can be found in the **Plumbing Preparation** section of this manual.

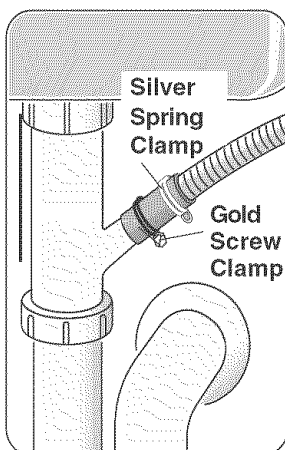


Figure 24

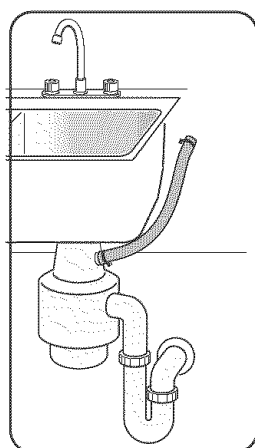


Figure 25

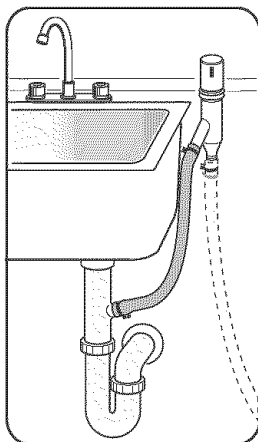


Figure 26

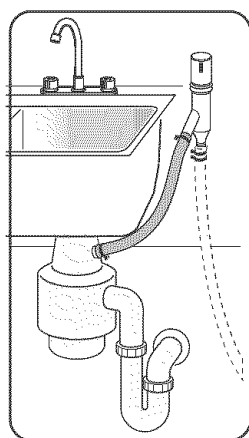


Figure 27

NOTE: If the dishwasher drain hose is to be connected to a disposer dishwasher drain connection, remove the plug from the disposer's dishwasher drain connection. Use the supplied Rubber Drain Hose Adaptor and Drain Hose Clamps to connect the dishwasher drain hose to the plumbing drain connection. Use the spring clamp to secure the Rubber Drain Hose Adaptor to the dishwasher drain hose. Use the screw clamp to secure the Rubber Drain Hose Adaptor to the plumbing drain connection.

The dishwasher drain hose must have one place along its length that is securely attached 20 inches above the cabinet floor.

HOT WATER CONNECTION

⚠ WARNING

Scald Hazard

To avoid being scalded, do not perform any work on a charged hot water line. Serious injury could result. Only qualified plumbers should perform plumbing work. Do not attempt any work on the dishwasher hot water supply plumbing until you are certain the hot water supply is shut off.

NOTE: Make certain that the correct 90° elbow fitting (not supplied) for the hot water supply line has been purchased and installed on the dishwasher as described in the Dishwasher Preparation section of this manual. The hot water supply line may be connected to the dishwasher in one of two ways:

- 1 With braided hose.
- 2 With copper tubing.

Stainless Steel Braided Hose Approved for Dishwasher Use.

After connections are made turn on the hot water supply to check for leaks.

NOTE: Braided dishwasher supply hoses can also be used to extend pre-existing dishwasher water supply lines.

Copper Tubing

CAUTION

Temperatures required for soldering and sweating will damage the dishwasher's water inlet valve. If plumbing lines are to be soldered or sweated, keep the heat source at least 6 inches (152.4 mm) away from the dishwasher's water inlet valve.

- If using a solder joint instead of a compression fitting, be sure to make all solder connections before connecting the water line to the dishwasher.
- Make certain there are no sharp bends or kinks in the water line that might restrict water flow.
- Be sure to use pipe thread compound or Teflon tape to seal the connection when required.
- Before connecting the copper hot water supply line to the dishwasher, flush it with hot water to clear any foreign material.
- Turn on the water supply to check for leaks after making connections.

NOTE: Do not use pipe sealant on compression fittings.

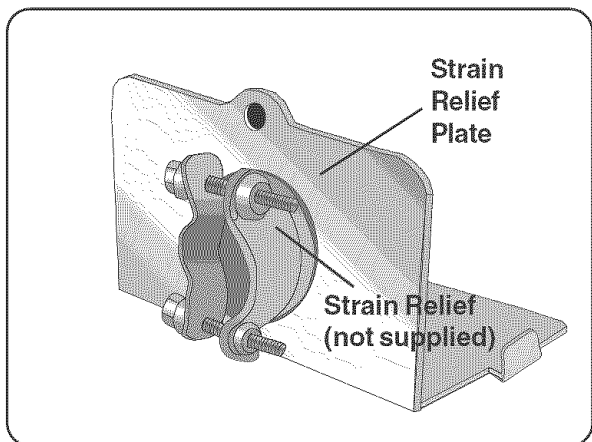


Figure 28

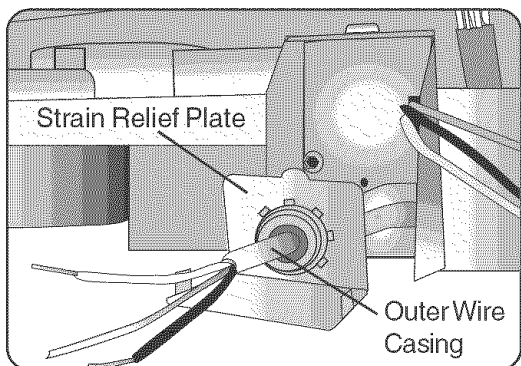


Figure 29

ELECTRICAL CONNECTION

⚠ WARNING

Electrical Shock Hazard

To avoid electrical shock, do not work on an energized circuit. Doing so could result in serious injury or death. Only qualified electricians should perform electrical work. Do not attempt any work on the dishwasher electric supply circuit until you are certain the circuit is de-energized.

⚠ WARNING

Fire Hazard

To avoid a fire hazard, make sure electrical work is properly installed. Only qualified electricians should perform electrical work.

Grounding Instructions

The dishwasher must be properly grounded before operating. This appliance must be connected to a grounded metal permanent wiring system, or an equipment grounding conductor must be run with the circuit conductors and connected to the equipment grounding terminal or lead on the dishwasher. Make sure that the dishwasher is connected to a suitable ground in compliance with all local codes or, in the absence of a local code, with the NATIONAL ELECTRICAL CODE in the United States or the CANADIAN ELECTRIC CODE C22.1-latest edition in Canada as well as any provincial/state or municipal or local codes that apply.

- 1 Retrieve the strain relief plate, and install a strain relief (not supplied) into the opening on the strain relief plate.
NOTE: Orient the strain relief as shown in **Figure 28**.
- 2 Pass the electrical supply cable through the strain relief, as shown in **Figure 29**. Make sure the outer wire casing extends about 1/2" (13mm) through the strain relief.
- 3 Tighten the strain relief screws.
- 4 Slide the strain relief plate into the junction box, and secure it to the junction box with the supplied screw.

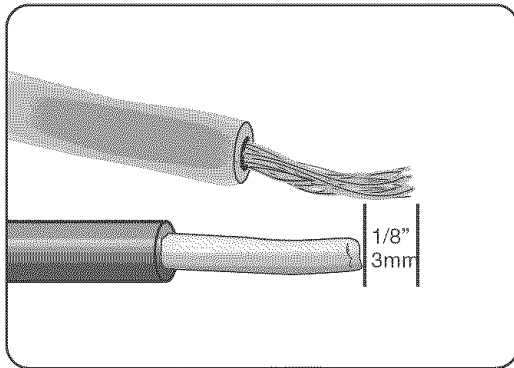


Figure 30

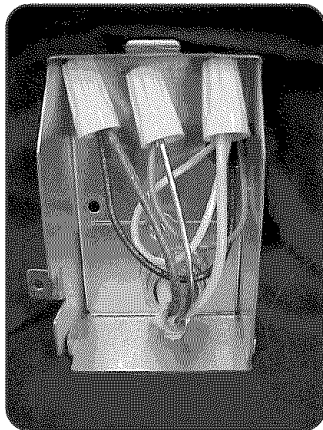


Figure 31

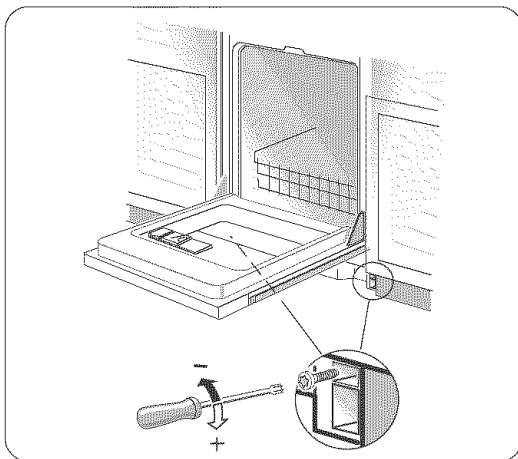


Figure 32

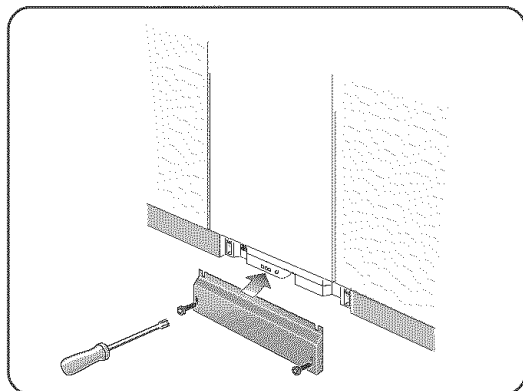


Figure 33

ELECTRICAL CONNECTION (continued)

⚠ WARNING

Fire Hazard

To avoid a fire hazard, make sure there are no loose electrical connections. Make sure all electrical connections are properly made.

- Do not pre-twist the wires before connecting them with wire nuts.
 - Extend the dishwasher's stranded wires 1/8" (3mm) beyond the power supply cable's solid wires, as shown in **Figure 30**.
- 5 Using the supplied wire nuts, connect the electrical supply wires to the dishwasher's wires, black to black, white to white, and green or bare. Make certain that the insulated wires show no bare wire from the bottoms of the wire nuts. Gently tug the wires to make certain they are securely connected.
 - 6 Press the wires into the junction box as shown in **Figure 31**. Make certain that the wire nuts do not loosen.
 - 7 Place the cover on the junction box and secure it to the junction box with the supplied screw.

DOOR TENSION ADJUSTMENT (only on SHI and SHV models with custom door panels)

After the dishwasher and custom door panel are installed, open and close the door several times to make sure that it does so with ease. If the door falls open too quickly, the spring tension needs to be adjusted.

To Adjust the Spring Tension:

- 1 Obtain the provided Spring Tension Screws from the SHI/SHV Door Panel Installation Kit.
- 2 Insert the screws as shown in **Figure 32**. Turning the screw clockwise increases the spring tension.

TOE PANEL INSTALLATION

Regular Toe Panel Installation

Use the toe panel screws from the Dishwasher Installation Kit and a T-20 screwdriver to install the toe panel as shown in **Figure 33**.

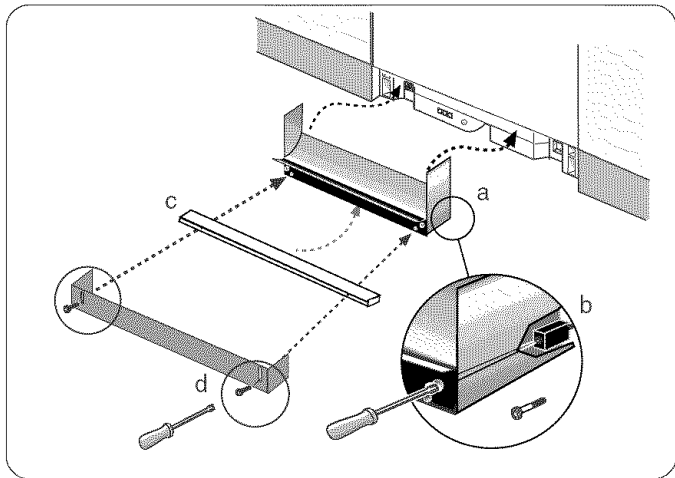


Figure 34

BASE AND TOE PANEL (Continued)

Plastic Base Access Panel and Toe Panel Installation (SHY66C, SHX99A, SHE66C, SHE99C, SHX57C, and SHV57C models only)

- 1 Place the Plastic Base Access Panel under and up the front bottom panel of the dishwasher, as shown in **Figure 34a**.
- 2 Insert the Plastic Base Access Panel screws into the Plastic Base Access Panel, as shown in **Figure 34b**. Tighten the Plastic Base Access Panel Screws.
- 3 Place the Cotton Insulation Strip under the unit, between the bottom of the Plastic Base Access Panel and the floor, as shown in **Figure 34c**.
- 4 Attach the Toe Panel to the Plastic Base Access Panel using the Toe Panel Screws included in the Toe Panel Installation Kit. See **Figure 34d**.

NOTE: You will not use the normal Toe Panel Screws included in the Dishwasher Installation Kit on these models.

⚠ WARNING

In some conditions, Hydrogen gas can form in a hot water system that has not been used for weeks. Hydrogen gas is explosive. Before filling a dishwasher from a system that has been off for weeks, run the water from a nearby faucet in a well ventilated area until there is no sound or evidence of gas.

FINAL INSTRUCTIONS

- 1 Energize the dishwasher power supply circuit.
- 2 Consult the Dishwasher Use and Care Manual, and run the dishwasher through one complete cycle. If the dishwasher does not operate properly, refer to the Self-Help section of the Use and Care Manual. If the dishwasher still does not operate properly, refer to the Customer Service Section of the Use and Care Manual.

CUSTOMER SERVICE

Your Bosch dishwasher requires no special care other than that described in the Care and Cleaning section of the Use and Care Manual. If you are having a problem with your dishwasher, before calling for service please refer to the Self-Help section of the Use and Care Manual. If service is necessary, contact your dealer or installer or an authorized service center. **Do not attempt to repair the appliance yourself.** Any work performed by unauthorized personnel may void the warranty.

Removing any cover or pulling the dishwasher from the cabinet can expose hot water connections, electrical power and sharp edges or points.

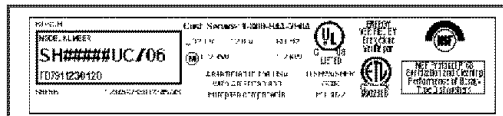
If you are having a problem with your Bosch dishwasher and are not pleased with the service you have received, please take the following steps (in the order listed below) until the problem is corrected to your satisfaction.

1. Contact your installer or the Bosch Authorized Service Contractor in your area.
2. E-mail us from the customer service section of our website, www.boschappliances.com.
3. Write us at:
BSH Home Appliances, Corp.
5551 McFadden Avenue
Huntington Beach, CA 92649
4. Call us at 1-800-944-2904.

Please be sure to include (if you are writing), or have available (if you are calling), the following information:

- Model number
- Serial number
- Date of original purchase
- Date the problem originated
- Explanation of the problem

Also, if you are writing, please include a daytime phone number where you can be reached. You will find the model and serial number information on the label located on the right-hand side of the inner door of your dishwasher, see Figure 1. It will look similar to this:



Please make a copy of your invoice and keep it with this manual. The customer must show proof of purchase to obtain warranty service.

