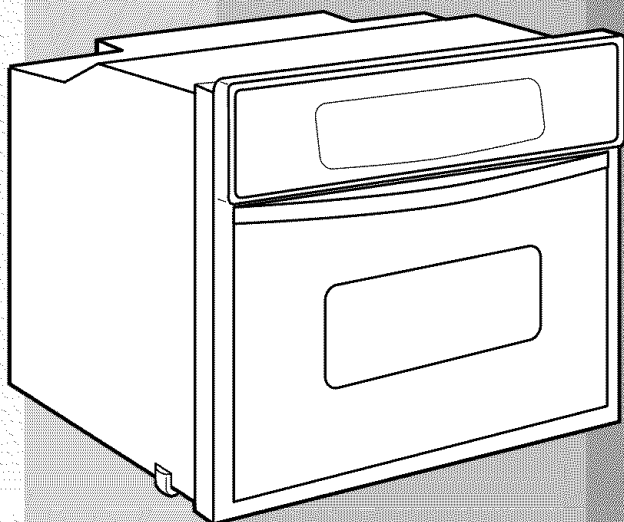


# *Instructions d'installation*



## **Four à micro-ondes encastré**

**68,6 cm (27 po) et  
76,2 cm (30 po)**

**IMPORTANT :**  
**Lire et conserver ces instructions.**

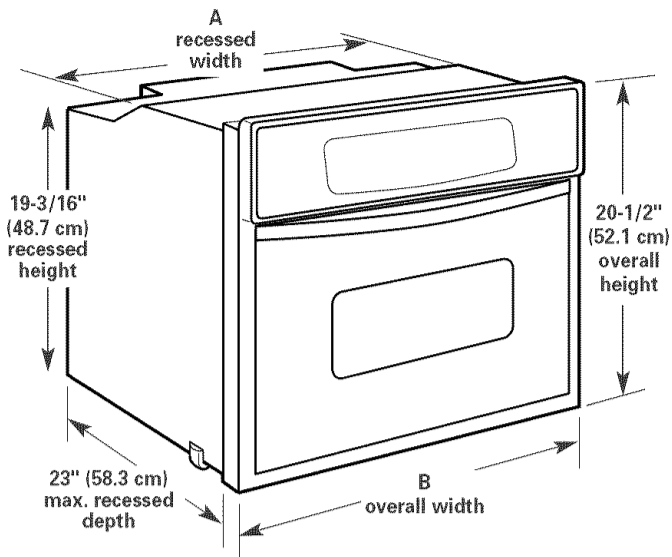
### **IMPORTANT :**

**Installateur :** Remettre les instructions d'installation au propriétaire.

**Propriétaire :** Conserver les instructions d'installation pour consultation ultérieure.

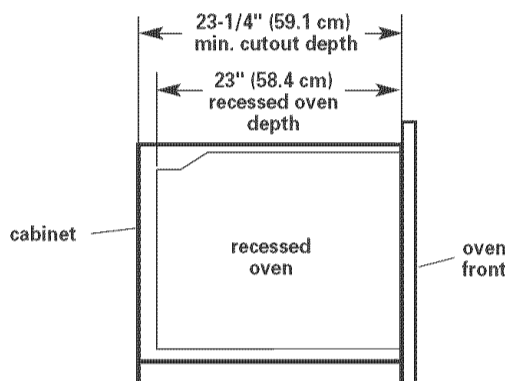
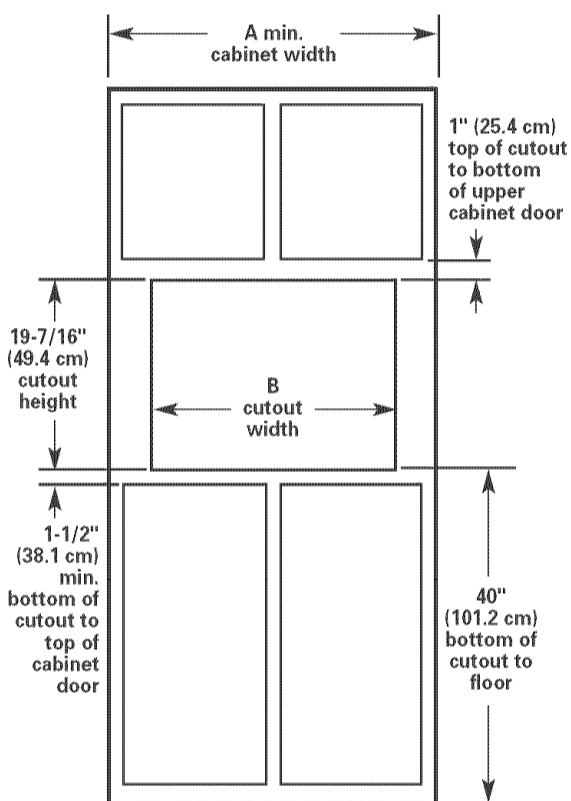
Conserver les instructions d'installation pour consultation par l'inspecteur local des installations électriques.

## Product dimensions



	A	B
27" (68.6 cm) m/w oven	25-3/8" (64.5 cm)	26-3/4" (67.9 cm)
30" (76.2 cm) m/w oven	28-3/8" (72.1 cm)	29-3/4" (75.6 cm)

## Cutout dimensions



Cabinet side view

**Electrical supply junction box** should be located 3 inches (7.6 cm) maximum below the support surface when oven is installed in a wall cabinet. Cutout for wiring should be in the right rear or left rear corner. For undercounter installation, it is recommended that the junction box be located in the adjacent right or left cabinet. If installing junction box on rear wall behind oven, junction box must be recessed and located in the upper or lower right or left corner of cabinet.

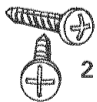
	A	B
27" (68.6 cm) m/w oven	27" (68.6 cm)	25-1/2" (64.8 cm)
30" (76.2 cm) m/w oven	30" (76.2 cm)	28-1/2" (72.4 cm)

### Tool needed:



Phillips screwdriver

### Parts supplied:



2 screws

## Before you start...

**Your safety and the safety of others are very important.**

We have provided many important safety messages in this manual and on your appliance. Always read and obey all safety messages.



This is the safety alert symbol.

This symbol alerts you to potential hazards that can kill or hurt you and others.

All safety messages will follow the safety alert symbol and either the word "DANGER" or "WARNING". These words mean:

### ! DANGER

You can be killed or seriously injured if you don't **immediately** follow instructions.

### ! WARNING

You can be killed or seriously injured if you don't follow instructions.

All safety messages will tell you what the potential hazard is, tell you how to reduce the chance of injury, and tell you what can happen if the instructions are not followed.

**Important: Observe all governing codes and ordinances.**

**Proper installation** is your responsibility. Have a qualified technician install this oven.

**Oven location** should be away from strong draft areas, such as windows, doors and strong heating vents.

**Cabinet opening dimensions** that are shown must be used. Given dimensions provide minimum clearance.

**Recessed installation area** must provide complete enclosure around the recessed portion of the oven.

**Electrical ground** is required. See "Electrical requirements."

**Electrical supply junction box** should be located 3 inches (7.6 cm) maximum below the support surface when oven is installed in a wall cabinet. Cutout for wiring should be in the right rear or left rear corner. For undercounter installation, it is recommended that the junction box be located in the adjacent right or left cabinet. If installing junction box on rear wall behind oven, junction box must be recessed and located in the upper or lower right or left corner of cabinet.

**Oven support surface** **MUST** be solid, level and flush with bottom of cabinet cutout.

### ! WARNING

#### Excessive Microwave Energy Exposure

Do not attempt to operate the microwave oven with the door open.

Do not tamper with or defeat the safety interlocks.

Do not place objects between the microwave oven front face and door.

Do not allow soil or cleaner residue to accumulate on sealing surface of the microwave oven door.

Do not operate the microwave oven if damaged.

Do not operate the microwave oven if:

- door is bent.
- hinges and latches are broken or loose.
- door seals, sealing surfaces or glass are broken.

The microwave oven door must close properly to provide safe operation.

Have a qualified repair person adjust, repair and check microwave oven for microwave leakage after a repair is made.

Do not use microwave for commercial purposes. The microwave oven in this unit is designed for household use only.

Failure to follow these instructions could result in exposure to excessive microwave energy.

It is the customer's responsibility:

To contact a qualified electrical installer.

To assure that the electrical installation is adequate and in conformance with National Electrical Code, ANSI/NFPA 70 — latest edition\*, or CSA Standards C22.1-94, Canadian Electrical Code, Part 1 and C22.2 No. 0-M91 - latest edition\*\* and all local codes and ordinances.

Copies of the standards listed may be obtained from:

\* National Fire Protection Association  
One Batterymarch Park  
Quincy, Massachusetts 02269

\*\* CSA International  
8501 East Pleasant Valley road  
Cleveland, Ohio 44131-5575

# Electrical requirements

## ⚠ WARNING



### Electrical Shock Hazard

Electrically ground oven.

Connect ground with 12-gauge-minimum solid copper wire.

Failure to follow these instructions can result in death, fire or electrical shock.

If codes permit and a separate grounding wire is used, it is recommended that a qualified electrician determine that the grounding path and wire gauge are in accordance with local codes.

Do Not ground to a gas pipe.

Check with a qualified electrician if you are not sure oven is properly grounded.

Do Not have a fuse in the neutral or grounding circuit.

Oven **must** be connected to the proper electrical voltage and frequency as specified on the model/serial rating plate. (The model/serial rating plate is located on the oven door or on the oven frame.)

☑ CONNECT WITH COPPER WIRE ONLY.

☑ A four-wire or three-wire, single phase, 240-volt, 60 Hz, AC-only electrical supply is required on a separate, 20-ampere circuit, fused on both sides of the line.

Note: Models KBHC109, KBHC179, YKBHC109 and YKBCH179 require a 30-ampere circuit.

☑ A time-delay fuse or circuit breaker is recommended.

☑ Connect directly to the fused disconnect (or circuit breaker box) through flexible, armored or non-metallic sheathed, copper cable (with grounding wire).

☑ Flexible armored cable from appliance should be connected directly to junction box.

☑ Fuse both sides of the line.

☑ A U.L.-listed conduit connector **must** be provided at the junction box.

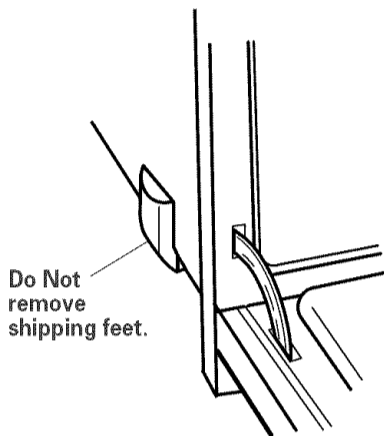
☑ Do Not cut the conduit.

**Wire sizes and connections** must conform with the rating of the appliance and to the requirements of the National Electrical Code, ANSI/NFPA 70 — latest edition (\*, See Page 1), or CSA Standards C22.11-94, Canadian Electrical Code, Part 1 and C22.2 No. 0-M91 - latest edition (\*\* See Page 1) and all local codes and ordinances.

# Installation Steps

## A Preparation

Do Not remove shipping feet at the front lower corners of oven.



**1.** Turn power supply off.

• Remove and discard shipping materials, tape and protective film from the oven. **Do Not remove shipping feet at the front lower corners of oven. The shipping feet will protect the lower oven trim until oven is inserted into cabinet.**

• Remove and set aside racks and other parts from inside oven.

**2.** Completely open microwave oven door.



**3.** Remove trim screws attaching right and left side trim to oven. Grasp the bottom end of trim and pull away from oven. Slide top end of trim downward to remove trim from oven. Take care not to scratch other surfaces with ends of trim. Set trim and screws aside on protected surface.

## B Installation

### ⚠ WARNING

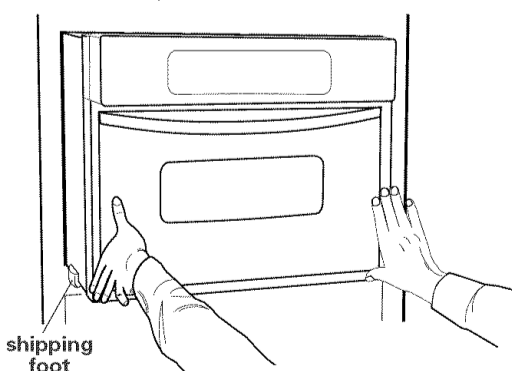
#### Excessive Weight Hazard

Use two or more people to move and install oven.

Failure to follow this instruction can result in back or other injury.

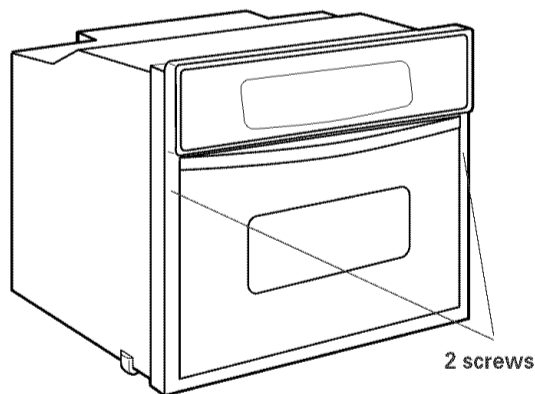
Do Not use handle or any portion of the front frame or trim for lifting.

**4.** Lift microwave oven partially into cabinet cutout. Feed power supply cable from microwave oven through hole in cutout bottom. If using recessed junction box on rear wall, complete electrical connection now. (See section C, Electrical Connection).

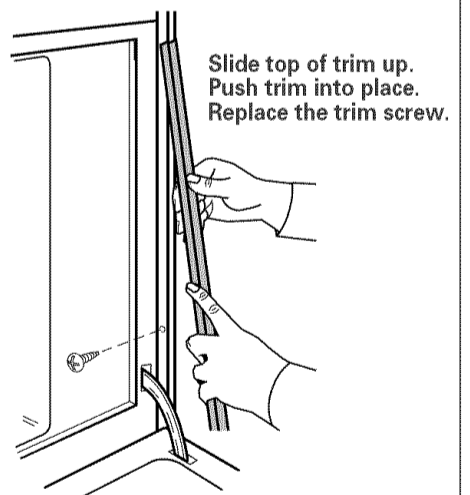


Carefully push against the front of the microwave oven to push oven into cabinet until shipping feet almost contact cabinet. Use a Phillips screwdriver to remove screws attaching shipping feet. Remove and discard shipping feet.

Push oven completely into cabinet and center oven in cabinet cutout.



**5.** Important: Securely fasten oven to cabinet using the two screws provided. Insert the screws through holes in mounting rails. Do Not overtighten screws.



**6.** Slide top end of each trim upward onto oven side rails. Push each trim into place at bottom of trim. Use screws to attach each trim to oven. Take care not to scratch other surfaces with ends of trim.

**7.** Replace oven racks.

## C Electrical connection

### ⚠ WARNING



#### Electrical Shock Hazard

Turn power supply off before connecting wires.  
Use 8 gauge solid copper wire.  
Electrically ground oven.  
Failure to follow these instructions can result in death, fire, or electrical shock.

This oven is manufactured with white (neutral) power supply wire and a cabinet-connected bare grounding wire twisted together.

**8.** Make electrical connection following the steps needed for your installation.

1. Disconnect the power supply.
2. Remove the junction box cover.
3. Connect oven cable to junction box through the U.L.-listed conduit connector.
4. Connect the two black wires together with twist-on connectors.
5. Connect the two red wires together with twist-on connectors.
6. Complete electrical connection according to local codes and ordinances.

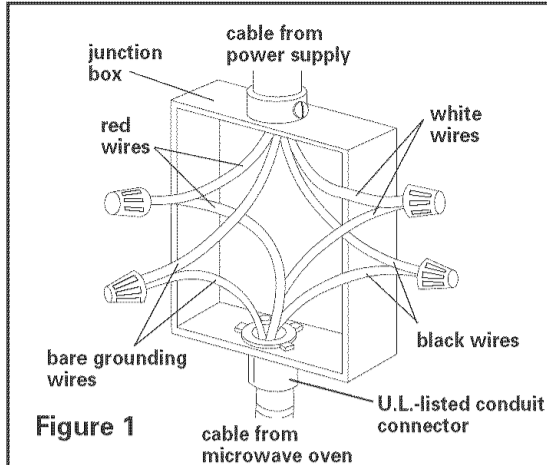


Figure 1

If local codes **DO NOT PERMIT** connecting cabinet-grounding conductor to neutral white wire in junction box:  
**(Four-wire electrical system)**

7. Separate the factory-cripped bare and white oven cable wires.
8. Connect white oven cable wire to neutral (white) wire in junction box. See Figure 1.
9. Connect the bare grounding oven cable wire to the ground wire in the junction box. **Do Not connect bare grounding wire to neutral (white) wire in junction box.** See Figure 1.
10. Replace junction box cover.

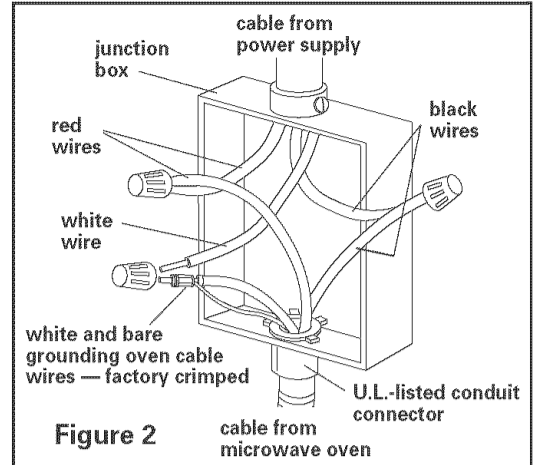


Figure 2

If local codes **PERMIT** connecting cabinet-grounding conductor to neutral white wire in junction box:  
**(Three-wire electrical system)**

7. Connect the factory-cripped bare and white oven cable wires to the neutral (white) wire in junction box. See Figure 2.
8. Replace junction box cover.

## D Check operation

**9.** Turn on power supply. The display panel will light up briefly. "PF" should appear in the temperature display.

**10.** Check the operation of the microwave oven.

- Fill a microwave-safe container with one cup of water and place container inside microwave oven. Close door firmly.
- Set microwave oven cook time to "2:00" minutes.
- Press the "START/ENTER" pad. The interior microwave oven light should be on and the remaining cooking time should be displayed.
- When display reads "1:00," open microwave oven door. The microwave should stop cooking.
- Close door firmly. The interior microwave oven light should turn off.
- Press the "START/ENTER" pad. Microwave oven should begin cooking and the microwave oven interior light should be on.
- Let microwave oven complete cooking time. A tone will sound four times at end of cooking time and microwave oven will shut off.
- Open microwave oven door and carefully remove container. Water in container should be hot.

To get the most efficient use from your new oven, read your Use and Care Guide. Keep Installation Instructions and Guide close to oven for easy reference.

## If microwave oven does not operate:

- Check that circuit breaker is not tripped or house fuse blown.
- See Use and Care Guide for troubleshooting list.

## If you need assistance:

If you have questions about operating, cleaning or maintaining your oven:

- Refer to **Use and Care Guide**.
- Call the Customer Interaction Center: Check your Use and Care Guide for a toll-free number to call or call the dealer from whom you purchased this appliance. The dealer is listed in the Yellow Pages of your phone directory under "Appliances — Household — Major — Service and Repair."

## If you need service:

Maintain the quality built into your built-in oven by calling an authorized service company.

To obtain the name and number of an authorized service company:

- Contact the dealer from whom you purchased your built-in oven; or
- Look in the Yellow Pages of your telephone directory under "Appliances — Household — Major — Service and Repair" for an authorized service company; or
- Call the Customer Interaction Center. The toll-free number is listed in your Use and Care Guide.

When you call, you will need:

- The microwave oven model number.
- The microwave oven serial number.

Both numbers are listed on the model/serial rating plate, located on the microwave oven frame.