

WALL SLEEVE INSTALLATION INSTRUCTIONS FOR FRIGIDAIRE THRU-THE WALL AIR CONDITIONERS

READ AND SAVE THESE INSTRUCTIONS

⚠ CAUTION

To avoid risk of personal injury, property damage, or product damage due to the weight of this device and sharp edges that may be exposed:

- Air conditioners covered in this manual pose an excessive weight hazard. Two or more people are needed to move and install the unit.
- To prevent injury or strain, use proper lifting and carrying techniques when moving unit.
- Carefully inspect location where air conditioner will be installed. Be sure it will support the weight of the unit over an extended period of time.
- Handle air conditioner with care. Wear protective gloves whenever lifting or carrying the unit. AVOID the sharp metal fins of front and rear coils.
- Make sure air conditioner does not fall during installation.

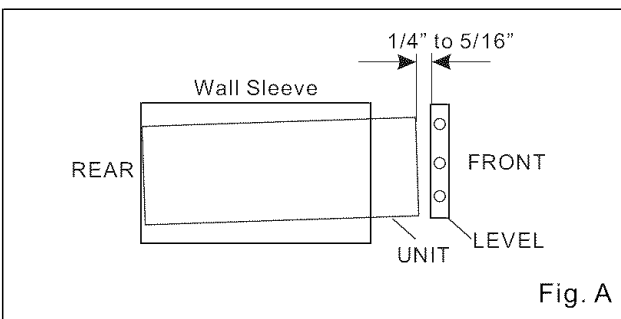
For New Construction install Frigidaire Wall Sleeve (Part EA108T).

Remove old air conditioner and inspect sleeve for the following:

Installation - Make sure that sleeve is securely installed and in sound structural condition.

Dimensions - Measure the size to make sure the air conditioner will fit.

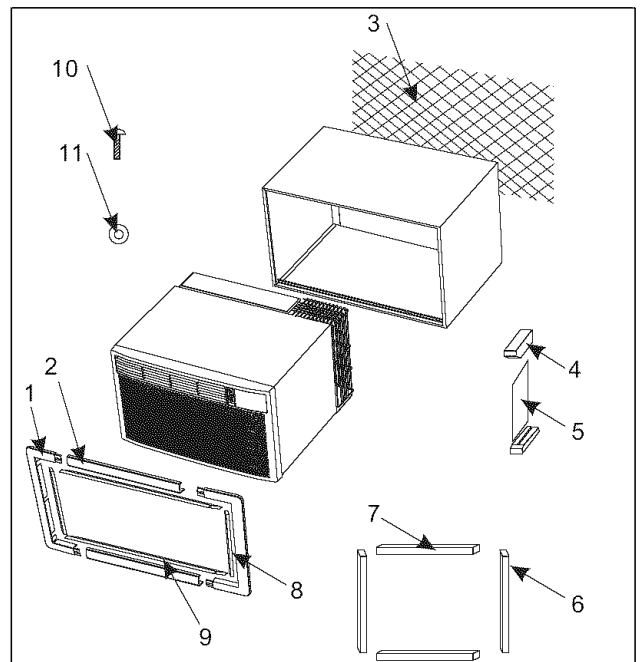
Slope - There should be a rearward slope for condensate to drain from the rear of the sleeve. Check against Fig. A.



Manufacturer - So the method of installation can be determined.

If the installation and slope are suspect, then removal and correct installation of a Frigidaire Wall Sleeve (Part EA108T), is recommended.

Check the contents of the accessories supplied with your air conditioner as shown below:



Number	Part name	QTY.
1	Top/Bottom Trim Frame	2
2	Side Trim Frame	2
3	Plastic Mesh	1
4	Tapered Spacer Block Board	2
5	Tapered Spacer Block	1
6	Vertical Foam	2
7	Horizontal Foam	2
8	Vertical Trim Foam	2
9	Horizontal Trim Foam	2
10	Screw	4
11	Washer	4

INSTALLATION

HOW TO INSTALL

1. Identify the existing wall sleeve before installing the unit from the listed below.

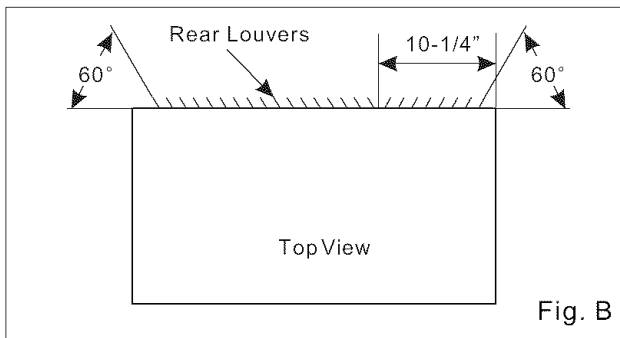
Brand	Wall Sleeve Dimensions (inches)		
	Width	Height	Depth
White-Westinghouse Frigidaire Carrier(52F series)	25-1/2	15-1/4	16, 17-1/2 or 22
General Electric /Hotpoint	26	15-5/8	16-7/8
Whirlpool	25-7/8	16-1/2	17-1/8 or 23
Fedders/Emerson	27	16-3/4	16-3/4 or 19-3/4
Sears/Kenmore	25-7/8	15-17/32	16-23/32
Carrier(51S series)	25-3/4	16-7/8	18-5/8
Emerson/Fedders	26-3/4	15-3/4	15
Friedrich	27	16-3/4	16-3/4

NOTE: All wall sleeves used to mount the new Air Conditioner must be in sound structural condition and have a rear grille that securely attaches to sleeve, or rear flange that serves as a stop for the Air conditioner.

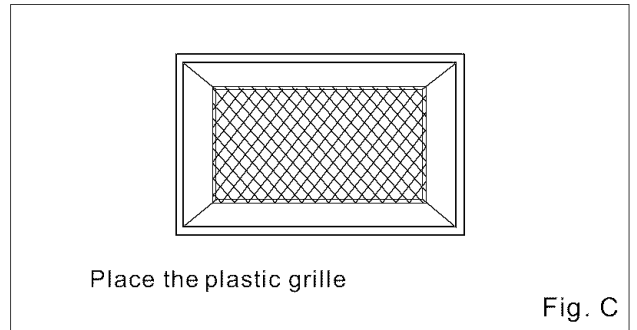
2. Clean the interior of the sleeve (do not disturb seals).

3. Repaint the sleeve if needed.

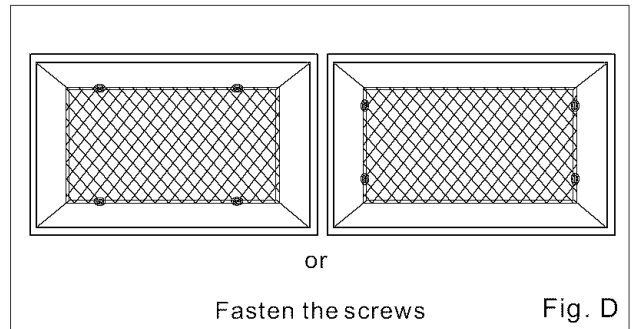
4. Redirect the louvers at the back of the wall sleeve to 60° angle as shown in the Fig.B. The use of pliers is recommended.



5. If the wall sleeve already has a rear grille, skip to step 7. If the wall sleeve does not have a rear grille or louvered panel, install the plastic grille from the kit. Cut the plastic mesh to match the sleeve installed. Place the plastic grille to the inside of the wall sleeve at the rear flange.

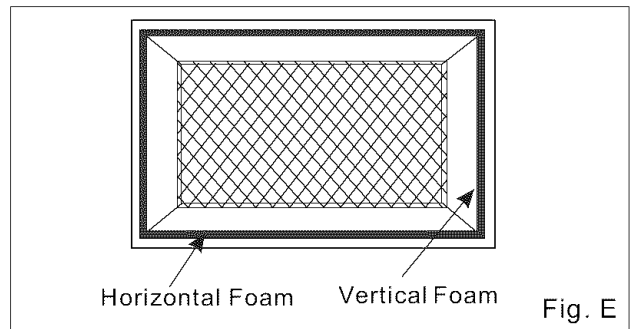


6. Use the 4 washers and screws to secure the grille to the wall sleeve.



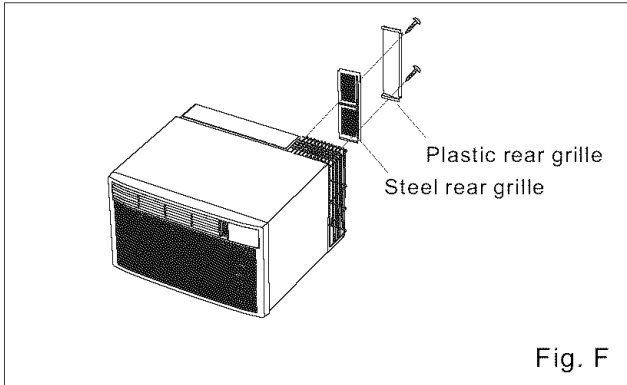
7. Remove the backing from the Vertical Foam and attach that to the inside right of the sleeve as shown below.

Remove the backing from the Horizontal Foam and attach that to the inside front of the sleeve as shown below.



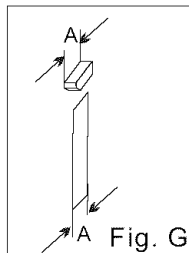
INSTALLATION

8. If you wish to keep the unit be operated at higher performance state, remove the steel rear grille and attach the plastic rear grille. The plastic grille will minimize the recirculation of hot discharge air.

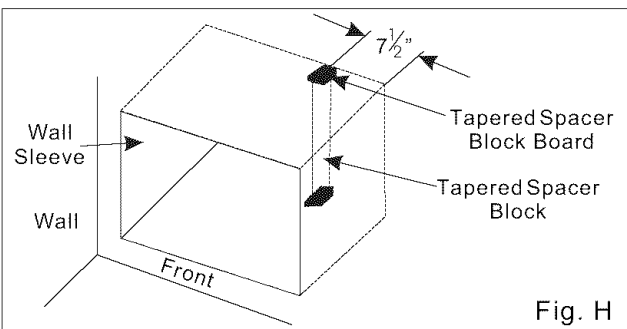


9. If the depth of your existing wall sleeve is less than or equal to 20", skip to step 11. Otherwise, cut the baffles and the support blocks according to length "A" in the table below.

Depth "D" of the existing wall sleeve (inches)	Length "A" (inches)
$20 < D \leq 20\frac{5}{8}$	$\frac{3}{4}$
$20\frac{5}{8} < D \leq 21\frac{3}{4}$	$1 - \frac{3}{4}$
$21\frac{3}{4} < D \leq 24$	4

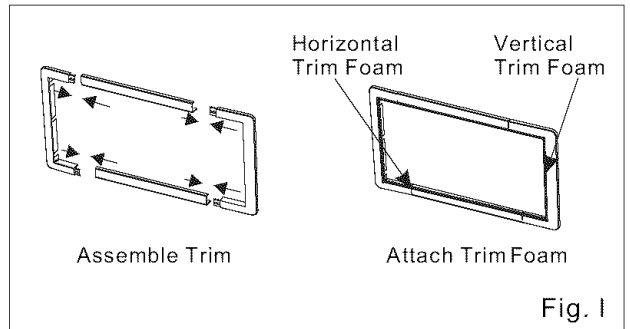


10. Remove the backing from the support blocks and attach them to the inside of the wall sleeve as shown FIG H. Slide the baffle into slots of the support blocks.

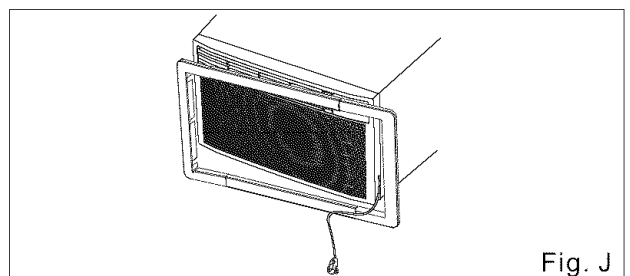


11. Install the new unit into the wall sleeve.

12. To assemble trim, snap the tab of each piece into the slot of the other piece as shown below. Remove the backing from the trim foam and stick that to the inside of the trim as shown below.



12. Slide trim over the front of the air conditioner until trim is flush with sleeve as shown below.



NOTE: Be sure to route the cord through the trim frame before placing the trim frame on the unit.

CAUTION

- Air conditioners covered in this manual pose an excessive weight hazard. Two or more people are needed to move and install the unit. To prevent injury or strain, use proper lifting and carrying techniques when moving unit.
- When handling the air conditioner, be careful to avoid cuts from sharp metal fins on front and rear coils.
- Make sure air conditioner does not fall during removal.