

INSTALLATION INSTRUCTIONS

Built-In 27" & 30" Microwave Ovens

403 WEST FOURTH STREET, NORTH
NEWTON, IA 50208

⚠ WARNING

Improper installation of the grounding circuit can result in a risk of electric shock.

27" & 30" MICROWAVE OVEN DESCRIPTION

1	Properly Polarized and Grounding Outlet.
2	5/8" Plywood Floor (Must Support 100 lbs.)
3	About 15-7/8 Inches
4	About 1-3/8 Inches

27" MICROWAVE OVEN DIMENSIONS

	inches	Centimeters
A	27 MIN	68.58 MIN
B	24 MIN	60.96 MIN
C	22-5/8 ± 1/16	57.47 ± 0.16
D	24 MIN	60.96 MIN
E	25-1/2 ± 1/16	64.77 ± 0.16
F	23-7/16	59.69
G	26-3/4	67.95
H	20-3/16	51.27

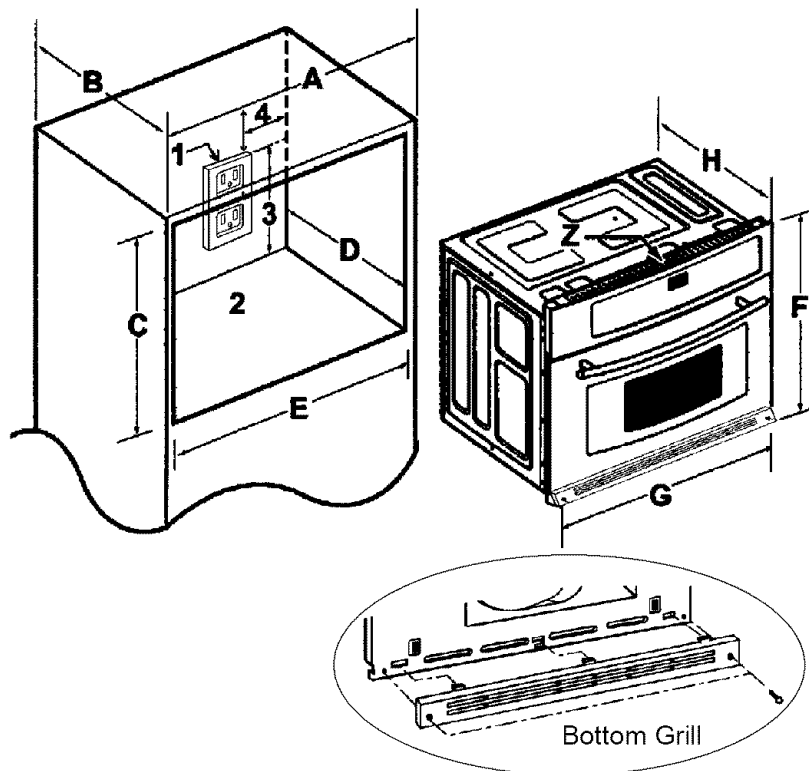
30" MICROWAVE OVEN DIMENSIONS

	inches	Centimeters
A	30 MIN	76.2 MIN
B	24 MIN	60.96 MIN
C	22-5/8 ± 1/16	57.47 ± 0.16
D	24 MIN	60.96 MIN
E	28-1/2 ± 1/16	72.39 ± 0.16
F	23-7/16	59.69
G	29-3/4	75.56
H	20-3/16	51.27

NOTES

Z	Do not block air intake slots along top of oven.
---	--

MICROWAVE OVEN CUTOUT



CAUTION

For European style cabinets (flush front) the required clearance for operation of the oven door is minimum spacing of 7/8" between the cutout and the door, hinge or drawer of the cabinet. Some built-in cabinets may not be wide enough, due to their construction, to allow this installation.

INSTALLATION

1. Cut hole in cabinet to mount Microwave oven. Cutout in cabinet should be level and straight.

NOTE: There are no provisions to level the unit after it is installed. An oven that is not level could cause poor cooking results.

2. Install plywood floor as shown above.
3. Attach unit to the cabinet with 4 long oval head screws supplied inside of envelope containing these instructions. Pre-drill 4 holes in cabinet for attachment screws using 1/16" drill. Oven mounting holes are provided in side trim.
4. Attach the bottom grill, found in the upper packing materials, to the front plate with the 2 short truss head screws supplied in the envelope packaged with the bottom grill.
5. See Owner's Manual for operating instructions.

NOTES

- Do not build in above gas wall ovens due to placement of gas wall oven vent.

Electrical rating of this oven:

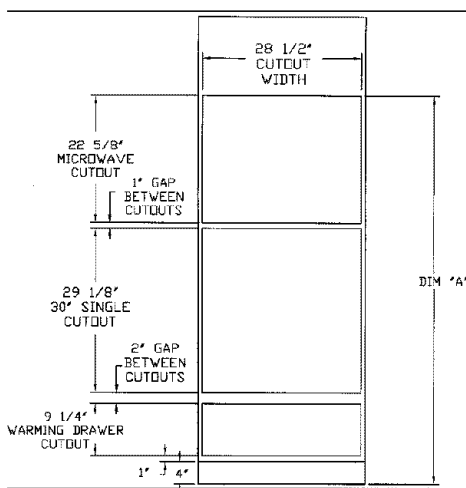
- 120 VAC @ 60 Hz.
- 13 A / 1000 W
- You need a **DEDICATED** 120 VAC, 60 Hz, 15 A or 20 A, fused electrical supply (located in the cabinet with

the microwave as close as possible to the microwave) serving only the microwave.

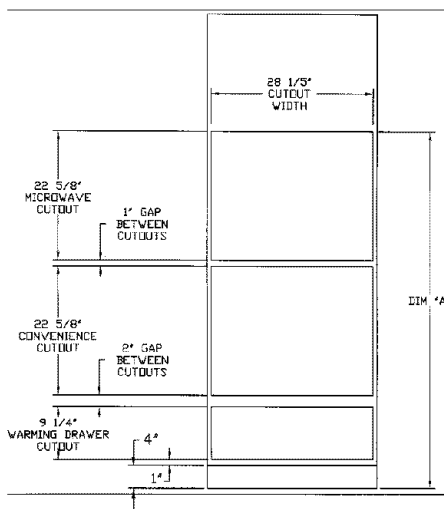
- Check with a qualified electrician if you are not sure whether the oven is properly grounded or if you do not completely understand the grounding instructions.
- Do not use a fuse in the neutral or grounding circuit.
- Save these instructions for the local electrical inspector's use.
- If there is an electrical short circuit, grounding reduces the risk of electrical shock by providing an escape wire for the electric current. This appliance is equipped with a cord having a grounding wire with a grounding plug.
- Place the plug into a properly installed and grounded outlet.
- **Maytag does not recommend use of an extension cord.**
- Keep the power cord dry and do not pinch or crush it.
- Do not, under any circumstances, remove the power supply cord grounding prong!
- This appliance **MUST** be grounded!

SERVICE

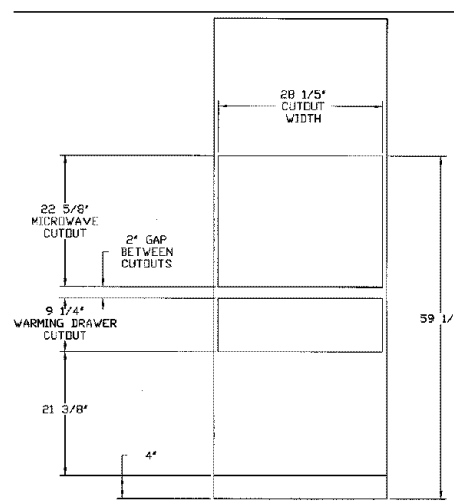
Interrupt the source of electricity to the unit when attempting to repair or service the oven. Failure to do this could result in a dangerous or even fatal shock.



Dim "A" = With Warming Drawer = 69"
Dim "A" = Without Warming Drawer = 59 1/4"



Dim "A" = With Warming Drawer = 62 1/2"
Dim "A" = Without Warming Drawer = 59 1/4"



SAME FOR BOTH WITH OR WITHOUT WARMING DRAWER

Unit approved for use over the following wall ovens:

- | | | |
|----------|----------|------------|
| JJW9530D | JJW9527D | JJW7530DD |
| JJW8530D | JJW8527D | JWD7030CDX |