



## Compact Refrigerator

Models: 95499 / 95493

4.9 cu. ft. Capacity

### Read This Manual!

It will tell you how to operate and care for your refrigerator. It also offers tips on how to get the best and lowest cost performance.

If you prefer installing your own parts, use the attached parts list to find the correct part number. Do not use the illustration number. In the space provided below record the model and serial number of your refrigerator. This can be found on the rear of the refrigerator printed or the model number plate.

This information will be required when calling for parts or service.

Model No. \_\_\_\_\_ Serial No. \_\_\_\_\_

### Full One Year Warranty on Refrigerator

For one year from the date of purchase, when this refrigerator is operated and maintained in accordance with the provided owner's manual, Sears will repair it, free of charge, if found defective in material or workmanship.

### Full Five Year Warranty on Sealed Refrigeration System

For five years from the date of purchase, when this refrigerator is operated and maintained in accordance with the provide owner's manual, Sears will repair the sealed system (consisting of refrigerant, connecting tubing and compressor motor), free of charge, if found defective in material or workmanship.

The above warranty coverage applies only to a refrigerator which is used for food storage and private household purposes.

**Warranty service is available by contacting the nearest Sears Service Center throughout the United States.**

This warranty applies only while this products is operate in the United States. This warranty gives you specific rights and you may also have other rights which vary from state to state.

SEARS, ROEBUCK & CO.,  
D/817WA, HOFFMAN ESTATES, IL 60179

### Installation

Remove all packing material and tape from the unit. Inspect the unit thoroughly. Notify Sears immediately if the unit has any damaged or missing parts.

Install the unit on a strong level floor or counter. Avoid any direct sunlight, heat source or moisture.

Let air circulate freely around the refrigerator. Keep the back of the unit at least 4 inches away from the wall. Provide at least 1 inch of space between the top of the unit and any surface above it.



**CAUTION:** If you turn off the cold control, allow at least three minutes before restarting to avoid blowing fuses or tripping your circuit breaker.

### Electrical

120 Volts, 60 Hz (60 cycles AC), 15 amps.

### Electrical Grounding

Your refrigerator comes with a three-prong plug and must be inserted into a three-prong, grounded wall outlet. Do not use an extension cord.



**WARNING:** Unless the above grounding methods is followed, you are not protected against severe or lethal shock in the event of a short circuit in refrigerator wiring or electrical components.

### Things to Remember

1. When resetting your refrigerator to a new temperature, allow 24 hours for it to reach the new setting.
2. The motor will start and stop often. It must do so in order to maintain the selected temperature.
3. Keep your refrigerator level.
4. Always unplug the refrigerator before cleaning or servicing.

---

**Sears, Roebuck and Co., Hoffman Estates, IL 60179**

---

# Use and Care Information

## Tips on everyday care and use

1. To control the temperature:  
First, set the cold control on "3". Wait 24 hours for the entire cabinet to cool. Then adjust the control if necessary. Setting the cold control to MIN, is the warmest setting; maximum is the coldest. The MAX setting may reduce the temperature to below freezing, but it will not cool the refrigerator faster.
2. Defrost:  
As long as the Temperature Control is set at normal position, evaporator is automatically defrosted and no manual operation is needed to defrost.
3. For all cleaning:  
Mix 2 tablespoons baking soda with 1 quart warm water or use a mild soap. Do not use strong cleaners, scouring powder or pads. For persistent odors, contact Sears Service Center for odor removal products. Do not put the drip tray in the dishwasher.
4. Cleaning the evaporating tray:  
Since the dust accumulated on the evaporating tray will decrease the evaporation efficiency, remove the tray to clean.  
The evaporating tray is set on the back of the refrigerator. This can be removed by pulling it out from the back of the unit.
3. Do Not place hot foods in the refrigerator.
4. Reduce the number and length of time you open the door. Your cooling system will not have to run as often.
5. Keep your refrigerator level, so that the door seals tightly. When the door is closed, the door gaskets should touch the refrigerator all the way around.
6. If not, make your refrigerator level by use of the adjustable leg located under the unit.
7. Keep the refrigerator away from stoves or other heat sources. A cool and dry place allows your refrigerator to operate more efficiently.

## Before Calling for Service

- Check the plug and fuse.
- Test the outlet with a lamp.
- Be sure the control is not set to OFF.
- Read the manual, especially the items under Use and Care Information. You may find the answer to your questions.
- If you do not find the answer to your questions in this manual, find the unit model number (on the upper back of the refrigerator) and contact your Sears Service Center.

## Energy Saving tips

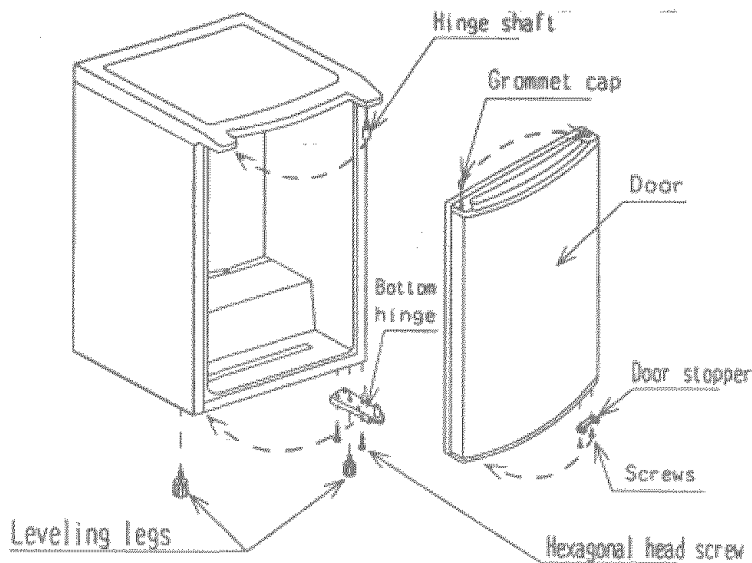
1. Close the door as soon as you can after opening it to remove food. Make sure that the door is fully shut after each use so that cold air does not escape from the refrigerator cavity.
2. Adjust the Cold Control. Try a warmer setting. Your refrigerator may be colder than necessary. Use the condition of the milk to check the refrigerator temperature. As long as milk keeps without spoiling your refrigerator is cold enough.

When requesting service or ordering parts, always provide the following information:

- Product name.
- Model number.
- Part name.
- Part number.



**DANGER: ELECTRICAL SHOCK HAZARD**  
Disconnect power before servicing.



## HOW TO TRANSFER THE DOOR HINGE LOCATION OF REVERSIBLE DOOR

Refer to the disassembly diagram and change the door hinges in the following procedure.

1. Tilt the refrigerator back or lay it on its back. Use a pad or blanket to protect the floor and to avoid scratching the painted finish.
2. Remove the leveling legs by turning the counterclockwise. Remove the lower hexagonal head screws, two on the hinge side and one near the front corner of the other side.
3. Pull the door away from the top table assembly and set the door aside.
4. With a Philips plus screw driver, unscrew the shaft hinge top and transfer to the opposite side.
5. Insert the door back the shaft hinge top which was screwed unto the opposite side.
6. Remove the refrigerator door hinge stopper and the hinge stopper screws and install them on the other side of the door.
7. Screw the bottom hinge in place ensuring the door is properly secured.
8. Screw the remaining leg to the otherside.
9. The direction in which the door opens has now been changed; however, the following points should be checked:
  - a. Make sure the door is on straight.
  - b. Make sure that there is no space between the door gasket and the refrigerator unit itself when the door is closed.
  - c. Make sure that the gasket on the hinge side is not caught between the door and the unit when the door is opened or closed. (If the door is forced closed when the gasket is caught, the gasket may be damaged.)
10. Stand the unit back on place.

When checking the above points, if it is discovered that the door is not installed properly (this is apt to happen at the first try), loosen the screws holding the upper hinge, straighten the door and tighten the screws, slowly with the socket wrench. After making sure that the door is installed correctly, tighten all the screws holding the hinge.

# Parts List

(SR4962SB/SSD)

564.95499400  
564.95493400

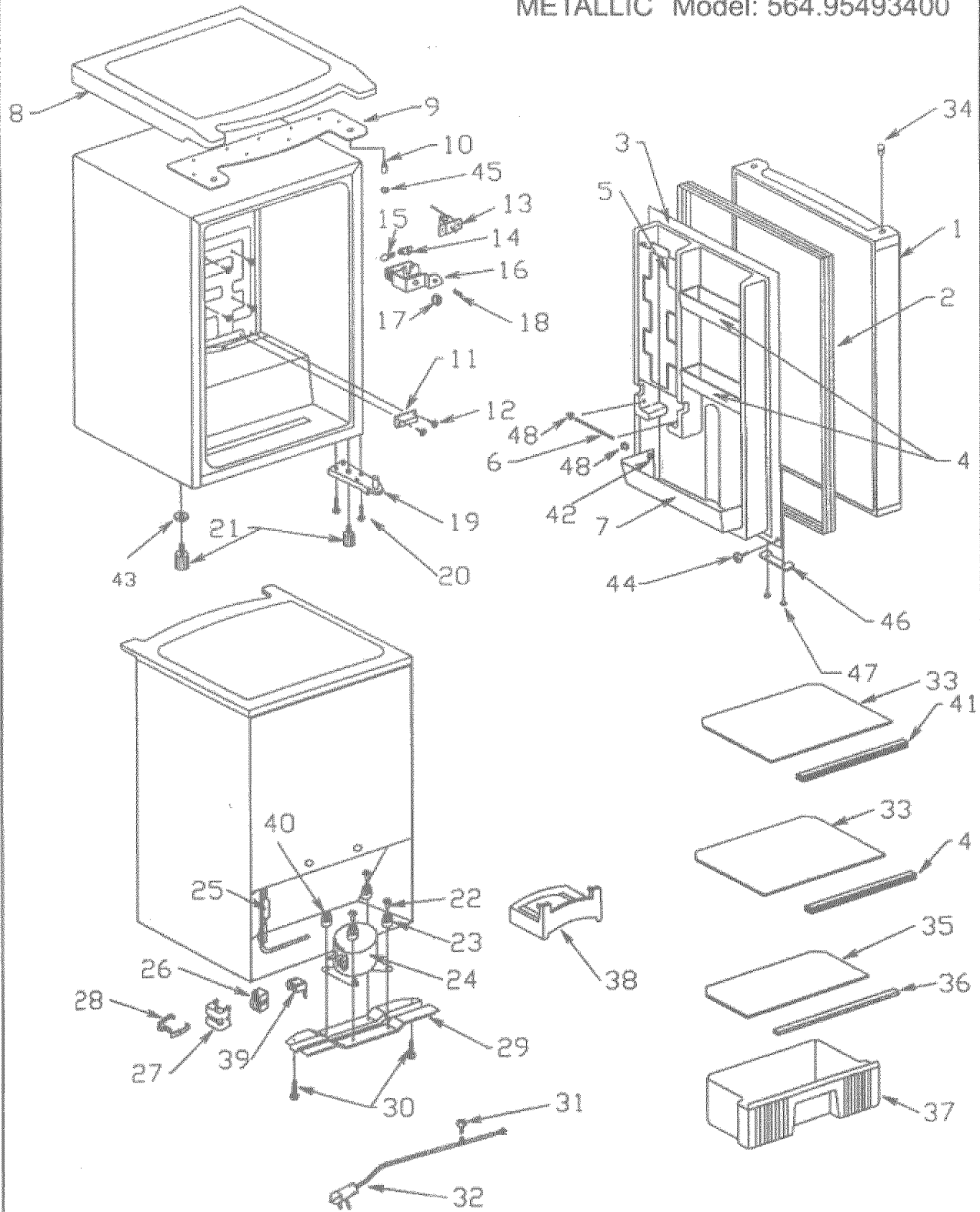
Use Sears part numbers on all orders, not the illustration number. (Please refer to illustration next page)

Illus. No.	Part No.	Description	Illus. No.	Part No.	Description
1		Foamed door assy.	26	302306	PTC thermister
	302994	Black	27	302573	Relay cover
	302697	Stainless	28	302696	Clip relay cover
2	302551	Door gasket	29	302651	Cabinet base plate
3	302993	Door liner, white	30	301991	Bolt
4	302539	Door rack, clear	31	300546	Screw
5	302540	Can dispenser	32	302548	Power cord, SPT-3
6	302541	Door bar, wire	33	302995	Shelf, glass
7	302992	Door rack bottom, clear	34	302550	Grommet cap
8	302543	Top table	35	302552	Shelf, crisper glass
9	302870	Top support plate	36	302996	Trim, crisper
10	302761	Hinge shaft	37	302997	Crisper, clear
11	302991	Clamp	38	302458	Drain tray, black
12	300309	Screws #10021	39	301976	Overload relay
13	302899	Thermostat, DTB-U102	40	302289	Grommet, comp. Mtg., No hole
14	302199	Socket	41	302998	Trim shelf glass
15	301021	INdicator lamp, 115 volts	42	302852	Door shelf bushing
16	302546	Panel thermo	43	302509	#10191 Steel washer
17	302175	Knob thermo	44	300308	Screw #10023
18	302192	Light switch	45	302813	Nylon washer
19	302426	Bottom hinge	46	300864	Stop door
20	302009	Bolt	47	300307	Machine screw
21	300885	Leg	48	302854	Door shelf bushing, PE
22	300413	Bolt, compressor Mtg.			
23	302427	Grommet, compressor Mtg.			
24	302261	Compressor, CQN43L2A			
25	302268	Drier			

## PARTS NOT ILLUSTRATED

30299	Owner's Manual + Parts List + Auxiliary Manual
302935	Technical Sheet
302664	Mascot elite
302721	FTC label

BLACK Model: 564.95499400  
METALLIC Model: 564.95493400



# Get fixed, at your home or ours!

## Your Home

For repair-in your home-of all major brand appliances, lawn and garden equipment, or heating and cooling system, **no matter who made it, no matter who sold it!**

For the replacement parts, accessories and owner's manuals that you need to do-it-yourself.

For Sears professional installation of home appliances and items like garage door openers and water heaters.

**1-800-4-MY-HOME®** (1-800-469-4663)

Call anytime, day or night (U.S.A. and Canada)

[www.sears.com](http://www.sears.com) [www.sears.ca](http://www.sears.ca)

---

## Our Home

For repair of carry-in items like vacuums, lawn equipment, and electronics, call or go on-line for the location of your nearest **Sears Parts & Repair Center.**

**1-800-488-1222**

Call anytime, day or night (U.S.A. only)

[www.sears.com](http://www.sears.com)

---

To purchase a protection agreement on a product serviced by Sears:

**1-800-827-6655** (U.S.A.) **1-800-361-6665** (Canada)

---

Para pedir servicio de reparación a domicilio, y para ordenar piezas:

**1-888-SU-HOGAR<sup>SM</sup>**

(1-888-784-6427)

Au Canada pour service en français:

**1-888-LE-FOYER<sup>MC</sup>**

[www.sears.ca](http://www.sears.ca)

# SEARS

® Registered Trademark/™ Trademark/™ Service Mark of Sears, Roebuck and Co.

® Marca Registrada/™ Marca de Fábrica/™ Marca de Servicio de Sears, Roebuck and Co.

™ Marque commerce/™ Marque déposée de Sears, Roebuck and Co.