



Compact Refrigerator

Models: 94602 / 94609

6.0 cu. ft. Capacity

Read This Manual!

It will tell you how to operate and care for your refrigerator. It also offers tips on how to get the best and lowest cost performance.

If you prefer installing your own parts, use the attached parts list to find the correct part number. Do not use the illustration number. In the space provided below record the model and serial number of your refrigerator. This can be found on the rear of the refrigerator printed on the model number plate.

This information will be required when calling for parts or service.

Model No. _____ Serial No. _____

Full One Year Warranty on Refrigerator

For one year from the date of purchase, when this refrigerator is operated and maintained in accordance with the provided owner's manual, Sears will repair it, free of charge, if found defective in material or workmanship.

Full Five Year Warranty on Sealed Refrigeration System

For five years from the date of purchase, when this refrigerator is operated and maintained in accordance with the provided owner's manual, Sears will repair the sealed system (consisting of refrigerant, connecting tubing and compressor motor), free of charge, if found defective in material or workmanship.

The above warranty coverage applies only to a refrigerator which is used for the storage of food for private household purposes.

Warranty service is available by contacting the nearest Sears Service Center in the United States.

This warranty applies only while this product is operate in the United States. This warranty gives you specific rights and you may also have other rights which vary from state to state.

SEARS, ROEBUCK AND CO.
D/817WA, HOFFMAN ESTATES, IL 60179

Installation

Remove all packing material and tape from the unit. Inspect the unit thoroughly. Notify Sears immediately if the unit has any damaged or missing parts.

Install the unit on a strong level floor or counter. Avoid any direct sunlight, heat source or moisture.

Let air circulate freely around the refrigerator. Keep the back of the unit at least 4 inches away from the wall. Provide at least 1 inch of space between the top of the unit and any surface above it.



CAUTION: If you turn off the cold control, allow at least three minutes before restarting to avoid blowing fuses or tripping your circuit breaker.

Electrical Requirements

120 Volts, 60 Hz (60 cycles AC), 15 amps.

Electrical Grounding

Your refrigerator comes with a three-prong plug and must be inserted into a three-prong, grounded wall outlet. Do not use an extension cord.



WARNING: Unless the above grounding methods are followed, you are not protected against severe or lethal shock in the event of a short circuit in refrigerator wiring or electrical components.

Things to Remember

1. When resetting your refrigerator to a new temperature, allow 24 hours for it to reach the new setting.
2. The motor will start and stop often. It must do so in order to maintain the selected temperature.
3. Keep your refrigerator level.
4. Always unplug the refrigerator before cleaning or servicing.

Sears, Roebuck and Co., Hoffman Estates, IL 60179 U.S.A.

Part No. 303010
SR6036SB/SW

Part No. 8336460156700
Sears, Roebuck and Co., U.S.A.

Use and Care Information

Tips on everyday care and use

1. To control the temperature:

First, set the Cold Control on "3". Wait 24 hours for the entire cabinet to cool. Then adjust the control if necessary. Setting the Cold Control to MIN, is the warmest setting; MAX is the coldest. The MAX setting may reduce the temperature to below freezing, but it will not cool the refrigerator faster.

The fresh food section should be as cold as possible without freezing vegetables or milk. Adjust as necessary.

2. Defrost:

Defrost when 1/4 inch frost forms. Set the temperature control dial to OFF for defrosting. Remove food. Do not touch freezing plate with your bare hands. Do not use electric defrost devices or hair dryers to melt frost. They may damage plastic parts.

When defrosting is completed, wipe the freezing plate dry and reset the control dial. Return food to the refrigerator.

3. For all cleaning:

Mix 2 tablespoons baking soda with 1 quart warm water or use a mild soap. Do not use strong cleaners, scouring powder or pads. For persistent odors, contact Sears Service Center for odor removal products. Do not put the drip tray in the dishwasher.

Energy Saving tips

1. **Close the door as soon as you can** after opening it. Make sure the door is fully shut after each use so that cold air does not escape from the refrigerator cavity.
2. **Adjust the Cold Control.** Try a warmer setting. Your refrigerator may be colder than necessary. Use the condition of milk to check refrigerator temperature. As long as milk keeps without spoiling your refrigerator is cold enough.
3. **Do Not place hot food** in the refrigerator.
4. **Do Not allow more than 1/4 inch** of frost to build up in the freezer compartment.

6. **Reduce the number and length of time** you open the door. Your cooling system will not have to run as often.
7. **Keep your refrigerator level**, so that the door seals tightly. When the door is closed, the door gaskets should touch the refrigerator all the way around. If not, make your refrigerator level by use of the adjustable leg located under the unit.
8. **Keep your refrigerator away** from stoves or other heat sources. A cool and dry place allows your refrigerator to operate more efficiently.

Before Calling for Service

- Check the plug and fuse.
- Test the outlet with a lamp.
- Be sure the control is not set to OFF.
- Read the manual, especially the items under Use and Care Information. You may find the answer to your questions.
- If you do not find the answer to your questions in this manual, find the unit model number (on the upper back of the refrigerator) and contact your Sears Service Center.

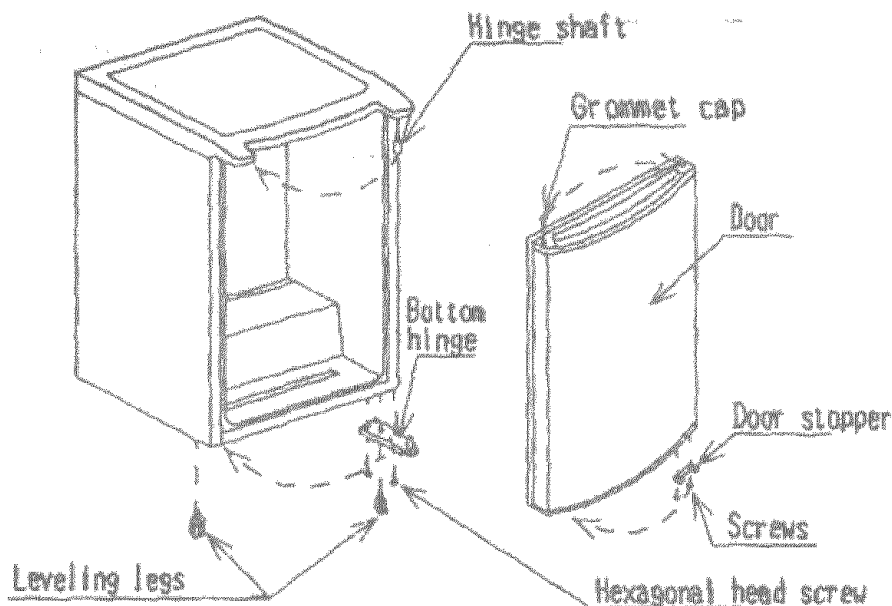


DANGER: ELECTRICAL SHOCK HAZARD

Disconnect power before servicing.

When requesting service or ordering parts, always provide the following information:

- Product name.
- Model number.
- Part Name
- Part Number



HOW TO TRANSFER THE DOOR HINGE LOCATION OF A REVERSIBLE DOOR

Refer to the disassembly diagram and change the door hinges in the following procedure.

1. Tilt the refrigeration back or lay it on its back.
Use a pad or blanket to protect the floor and to avoid scratching the painted finish.
2. Remove the leveling legs by turning them counterclockwise. Remove the lower hexagonal head screws, two on the hinge side and one near the front corner of the other side.
3. Pull the door away from the top table assembly and set the door aside.
4. With a Philips plus screw driver, unscrew the shaft hinge top and transfer to the opposite side.
5. Insert the door back to the shaft hinge top which was screwed unto the opposite side.
6. Remove the refrigerator door hinge stopper and the hinge stopper screws and install them in the other side of the door.
7. Screw the bottom hinge in place ensuring the door is properly secured.
8. Screw the remaining leg to the other side.
9. The direction in which the door opens has now been changed; however, the following points should be checked:

- a. Make sure the door is on straight.
- b. Make sure that there is no space between the door gasket and the refrigerator unit itself when the door is closed.
- c. Make sure that the gasket on the hinge side is not caught between the door and the unit when the door is opened or closed. (If the door is forced closed when the gasket is caught, the gasket may be damaged.)

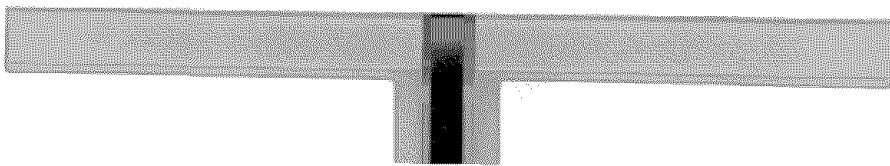
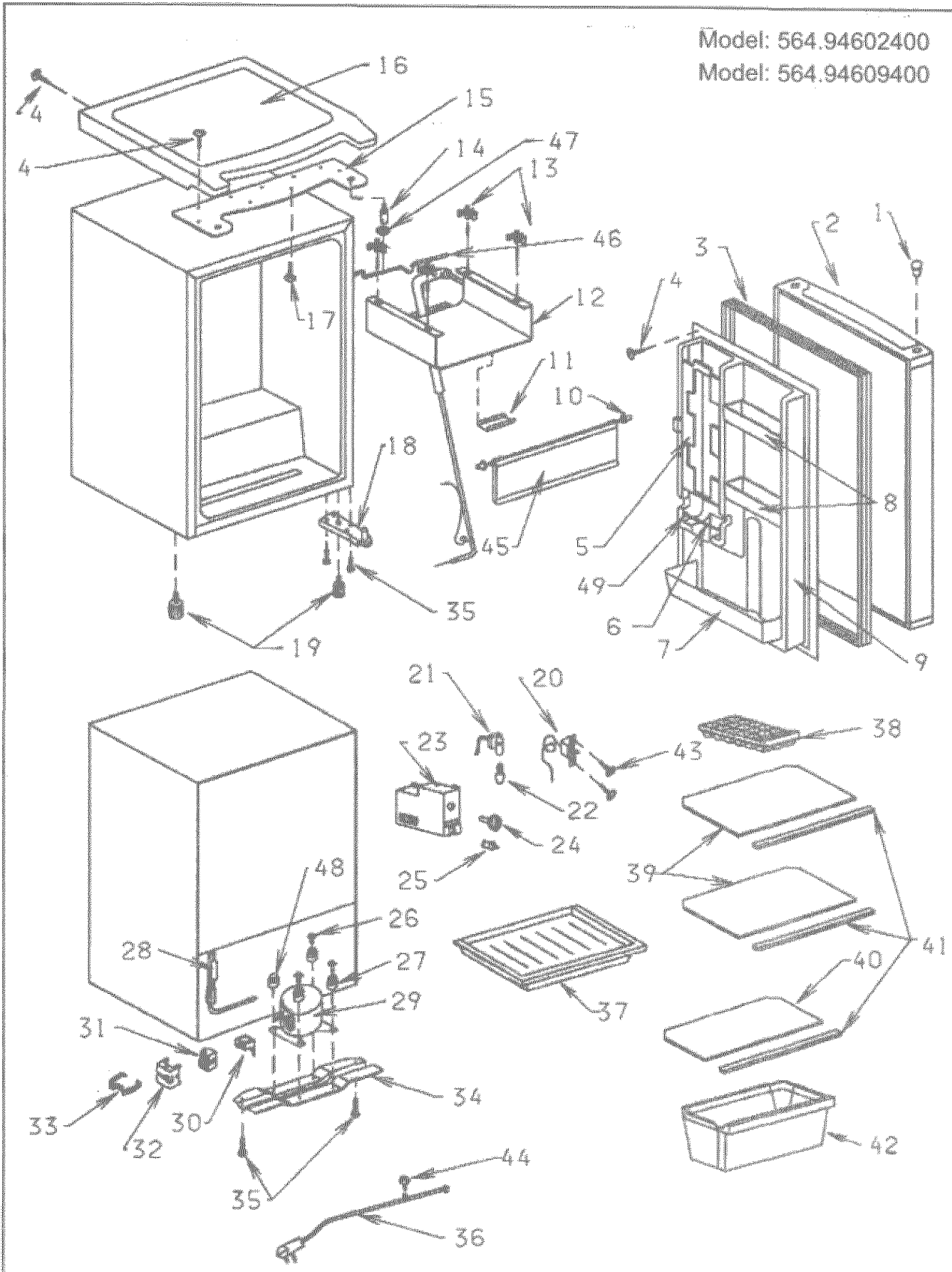
When checking the above points, if it is discovered that the door is not installed properly (this is apt to happen at the first try), loosen the screws holding the upper hinge, straighten the door and tighten the screws slowly with the socket wrench. After making sure that the door is installed correctly, tighten all the screws holding the hinge.

If they are not tightened, the door may slip out of position or there may be an opening between the door and the unit.

10. Stand the unit back in place.

Model: 564.94602400

Model: 564.94609400



Parts List

Model: 564.94602400

Model: 564.94609400

CAUTION: Use Kenmore parts number on all orders, not the illustration number.

Illus. No.	Part No.	Description	Illus. No.	Part No.	Description
1		Grommet Cap	23	302685	Thermo Panel
	302388	White	24	302175	Thermo Knob
	302550	Black	25	302192	Light Switch
2		Foamed Door Assembly	26	300413	Bolt
	302687	White	27	302427	Grommet, Compressor Mounting
	303017	Black	28	302268	Drier
3		Gasket	29	302261	Compressor
	302269	White	30	301976	Overload Relay
	303020	Black	31	302306	PTC Thermistor
4	300308	Screw	32	302573	Relay Cover
5	303022	Can Dispenser	33	302696	Clip, Relay Cover
6	302541	Panel Bar	34	302688	Compressor Base Plate
7	303013	Door Rack, L	35	302009	Bolts
8	302690	Door Rack, M	36	302548	Power Cord
9	302689	Door Liner	37	301583	Drip Tray
10	302330	Hinge Grommet	38	302486	Ice Cube Tray
11	300255	Clamp, Thermo	39	303012	Glass Shelves
12	302695	Evaporator Assembly	40	303011	Glass Crisper Shelf
13	302187	Evaporator Bracket w/Pin	41	302234	Trim for Glass Shelf
14	302761	Hinge Shaft	42	303009	Crisper
15	302691	Top Table Support Plate	43	301991	Screw
16		Top Table, Plastic	44	300546	Tapping Screw
	302692	White	45	302407	Evap. Door
	303018	Black	46	302951	Stud Evap.
17	301890	Screw	47		Nylon Washer
18	302426	Hinge Bottom		302378	White
19	303021	Leveling Legs		302813	Black
20	301581	Thermostat	48	302289	Grommet, Compressor Mounting
21	302199	Socket	49	302854	Door Shelf Bushing
22	301021	Light Bulb			

Parts Not Illustrated

Part No.	Description
303010	Owner's manual+Parts List+Auxiliary Manual
302494	Technical sheet
302693	FTC Label
	Mascot
302340	White
302362	Black
300864	Door Stop
300307	Machine Screw (for Door Stop)

Get fixed, at your home or ours!

Your Home

For repair-in your home-of all major brand appliances, lawn and garden equipment, or heating and cooling system, **no matter who made it, no matter who sold it!**

For the replacement parts, accessories and owner's manuals that you need to do-it-yourself.

For Sears professional installation of home appliances and items like garage door openers and water heaters.

1-800-4-MY-HOME® (1-800-469-4663)

Call anytime, day or night (U.S.A. and Canada)

www.sears.com www.sears.ca

Our Home

For repair of carry-in items like vacuums, lawn equipment, and electronics, call or go on-line for the location of your nearest **Sears Parts & Repair Center.**

1-800-488-1222

Call anytime, day or night (U.S.A. only)

www.sears.com

To purchase a protection agreement on a product serviced by Sears:

1-800-827-6655 (U.S.A.)

1-800-361-6665 (Canada)

Para pedir servicio de reparación a domicilio, y para ordenar piezas:

1-888-SU-HOGARSM

(1-888-784-6427)

Au Canada pour service en français:

1-888-LE-FOYER^{MC}

www.sears.ca

SEARS

® Registered Trademark/™ Trademark/™ Service Mark of Sears, Roebuck and Co.

® Marca Registrada/™ Marca de Fábrica/™ Marca de Servicio de Sears, Roebuck and Co.

™ Marque commerce/™ Marque déposée de Sears, Roebuck and Co.

Printed in Mexico
(2/24/04)