



Compact Refrigerator

Model: 94256

2.5 cu. ft. Capacity

Read This Manual!

It will tell you how to operate and care for your refrigerator. It also offers tips on how to get the best and lowest cost performance.

If you prefer installing your own parts, use the parts list to find the part number. Do not use the illustration number. In the space below record the model and serial number of your refrigerator. Each is printed on the model number plate located in the upper corner of the refrigerator back. Use these numbers when calling for service.

Model No. _____ Serial No. _____

Full One Year Warranty on Refrigerator

For one year from the date of purchase, when this refrigerator is operated and maintained in accordance with the provided manual that come with it, Sears will repair it, free of charge, if found defective in material or workmanship.

Full Five Year Warranty on Sealed Refrigeration System

For five years from the date of purchase, when this refrigerator is operated and maintained in accordance with the owner's manual that come with it, Sears will repair the sealed system (consisting of refrigerant, connecting tubing and compressor motor), free of charge, if found defective in material or workmanship.

The above warranty coverage applies only to refrigerator which is used for the storage of food for private household purposes.

Warranty service is available by contacting the nearest Sears Service Center in the United States.

This warranty applies only while this product is in use in the United States. This warranty gives you specific rights and you may also have other rights which vary from state to state.

SEARS, ROEBUCK & CO.

D/817WA, HOFFMAN ESTATES, IL 60179

Installation

Remove all packing material and tape from the unit. Inspect the unit thoroughly, notify Sears immediately if the unit has any damaged or missing parts.

Install the unit on a strong level floor or counter. Avoid any direct sunlight, heat source or moisture.

Let air circulate freely around the refrigerator. Keep the back of the unit at least 4 inches away from the wall. Provide at least 1 inch of space between the top of the unit and any surface above it.



CAUTION: if you turn off the cold control, allow at least three minutes before restarting to avoid blowing fuses or tripping your circuit breaker.

Electrical Requirements

120 Volts, 60 Hz (60 cycles AC), 15 amps,

Electrical Grounding

Your refrigerator comes with a three-prong plug and must be inserted into a three-prong, grounded wall outlet. Do not use an extension cord.



WARNING: Unless the above grounding methods is followed, you are not protected against severe or lethal shock in the event of a short circuit in refrigerator wiring or electrical components.

Things to Remember

1. When resetting your refrigerator to a new temperature, allow 24 hours for it to reach the new setting.
2. The motor will start and stop often. It must do so in order to maintain the temperature you select.
3. Keep your refrigerator level.
4. Unplug the refrigerator before doing anything with the electrical system.

Sears, Roebuck and Co., Hoffman Estates, IL 60179

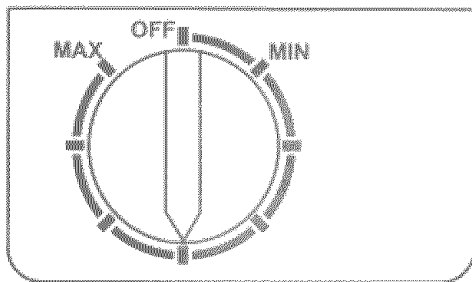
Use and Care Information

Tips on everyday care and use

1. To control the temperature:

First, set the Cold Control on medimu position. (See picture below). Then adjust the control if necessary. Setting the Cold Control to MIN, is the warmest setting; MAX is the coldest. The MAX setting may reduce the temperature to below freezing, but it will not cool the refrigerator faster.

The fresh food section should be as cold as possible without freezing vegetables or milk. Adjust as necessary.



2. Defrost:

Defrost when 1/4 inch frost forms. Set the temperature control dial to OFF for defrosting. Remove food. Do not touch the freezing plate with your bare hands. Do not use electric defrost devices or hair dryers to melt frost. They may damage plastic parts.

When defrosting is completed, wipe the freezing plate dry and reset the control dial. Return food to the refrigerator.

3. For all cleaning:

Mix 2 tablespoons baking soda with 1 quart warm water or use a mild soap. Do not use strong cleaners, scouring powder or pads. For persistent odors, contact Sears Service Center for odor removal products.

3. **Do Not** place hot food in the refrigerator.
4. **Reduce** the number and length of time you open the door. Your cooling system will not have to run as often.
5. **Keep your refrigerator level**, so that the door seals tightly. When the door is closed, the door gaskets should touch the refrigerator all the way around.
6. **If not**, make the refrigerator level by use of the adjustable leg located under the unit.
7. **Keep the refrigerator away** from stoves or other heat sources. A cool and dry place allows your refrigerator to operate more efficiently.

Before calling for service

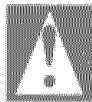
- Check the plug and fuse.
- Test the outlet with a lamp.
- Be sure the control is not set to OFF.
- Read the manual, especially the items under the Use and Care Information. You may find the answer to your questions.
- If you do not find the answer to your questions in this manual, find the unit model number (on the upper back of the refrigerator) and contact your Sears Service Center.

When requesting or ordering parts, always provide the following information:

- Product name.
- Model number.
- Part Name
- Part Number

Energy Saving tips

1. **Close the door as soon as you can** after opening it to remove the food. Make sure the door is fully shut after each use so that cold air does not escape from the refrigerator cavity.
2. **Adjust the Cold Control.** Try a warmer setting. Your refrigerator may be colder than necessary. Use the condition of milk to check refrigerator temperature. As long as milk keeps without spoiling your refrigerator is cold enough.



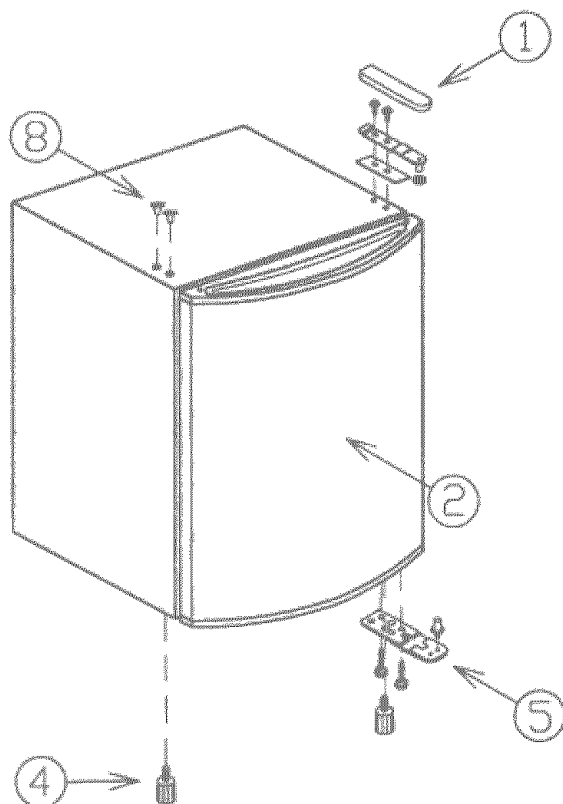
DANGER: ELECTRICAL SHOCK HAZARD

Disconnect power before servicing.

HOW TO TRANSFER THE DOOR HINGE LOCATION OF A REVERSIBLE DOOR

Refer to the disassembly diagram and change the door hinges using the following procedure:

1. Remove the top hinge and loosen and remove the two screws holding the top hinge in place.
2. Lift the door up and off the bottom hinge pin. Tilt the refrigeration back or lay it on its back. Use a pad or blanket to protect the floor and to avoid scratching the painted finish.
3. Loosen and remove the leg and the two screws from the bottom hinge.
4. Remove the leg from the left side of the cabinet.
5. Remove and transfer the bottom hinge to the left side without flipping or turning it.
6. Install the leg that was removed from the left side to the right side of the cabinet.
7. Place the door over the bottom hinge pin and guide the door bottom hole to the pin.
8. Remove the two plugs from the top left side of the cabinet. Place the top hinge over these holes and the hinge pin into the hole on top of the door. Drive the screws into the top of the cabinet. Do not tighten until is checked for proper gasket seal alignment. The following points should be checked.
 - a. Make sure the door is on straight.
 - b. Make sure there is no space between the door gasket and the refrigerator unit itself when the door is closed.
 - c. Make sure that the gasket on the hinge side is not caught between the door and the unit when the door is opened or closed. *(If the door is forced to close when the gasket is caught, the gasket may be damaged.)*
9. Stand the unit back in the upright position. Wait 3 hours before plug in the power cord.



Parts List

SR2505SMD

Model: 564.94256400

Use Sears part number on all orders, not the illustration number.

(Please refer to the illustration on the next page.)

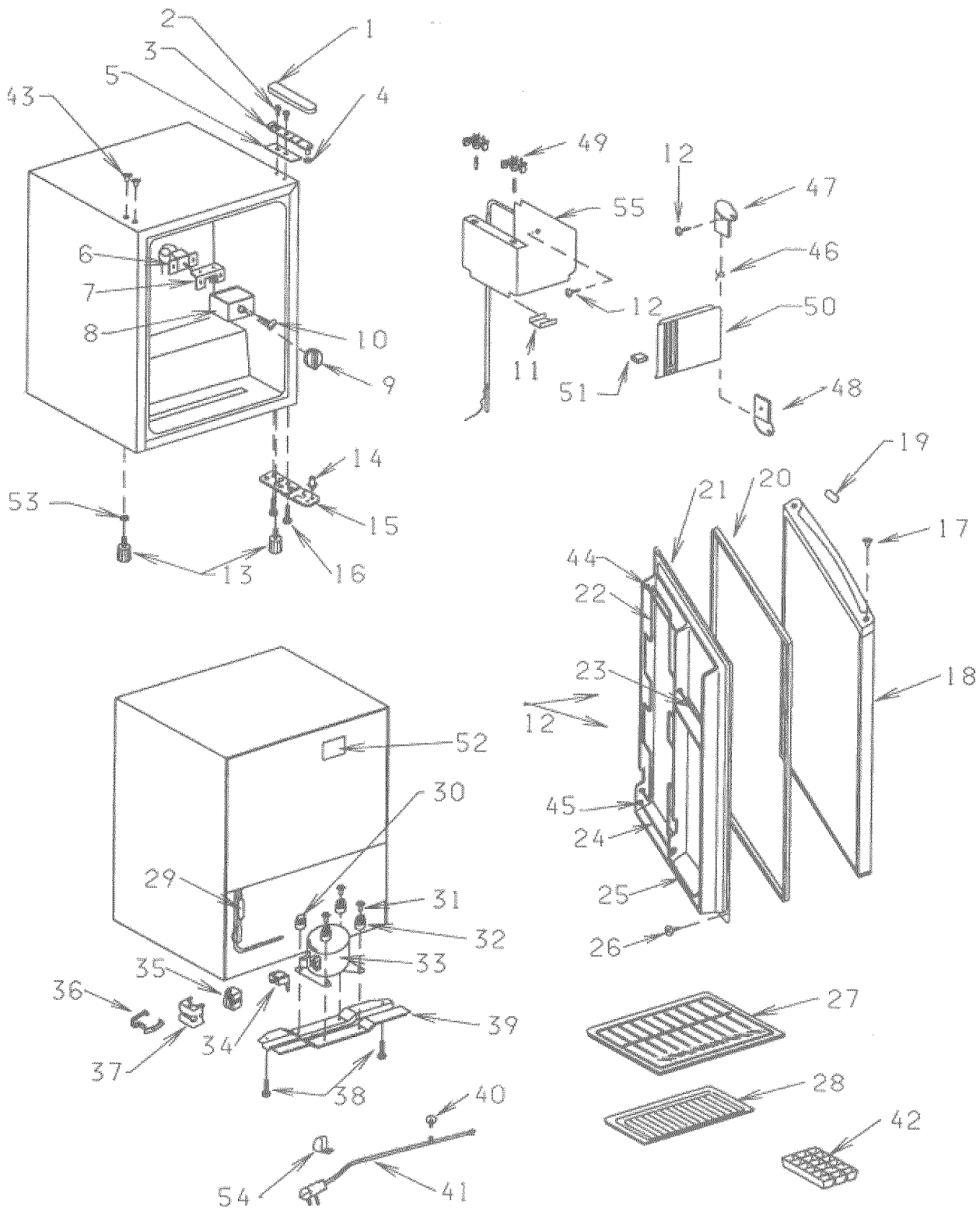
Illus. No.	Part No.	Description	Illus. No.	Part No.	Description
1	302361	Cover, hinge black	28	302850	Shelf crisper, bottom
2	302009	Bolt 10119	29	302268	Drier
3	302342	Top hinge assy.	30	302289	Grommet, compressor mounting
4	302813	Nylon washer black	31	300413	Bolt, compressor mounting
5	302711	Shim, hinge top	32	302427	Grommet, compressor mounting
6	302522	Thermostat	33	302754	Compressor
7	302710	Thermo bracket	34	301976	Overload protector
8	302523	Panel thermo	35	302306	PTC thermister
9	300141	Thermo knob	36	302696	Clip, relay cover
10	300546	Screw 10019	37	302573	Relay cover
11	301923	Thermo bulb clamp	38	302009	Bolt 10119
12	300493	Screws 10036	39	302974	Compressor base plate
13	302291	Leg	40	301991	Screw 10026
14	302903	Shaft hinge bottom	41	302525	Power cord
15	302345	Hinge bottom	42	302486	Ice cube tray
16	302009	Bolt 10119	43	302359	Plug button black
17	302550	Grommet cap.	44	302854	Door shelf bushing
18	302972	Metalic door assy.	45	300499	Door shelf bushing
19	302362	Mascot black	46	300173	Spring, evaporator door
20	302561	Gasket black	47	300467	Evap. door hinge, upper
21	302562	Door liner	48	300468	Evap. door hinge, low
22	302540	Wire can dispenser	49	302187	Evap. bracket w/pin
23	302293	Panel bar	50	302374	Evap. door
24	302541	Panel bar	51	302375	Evaporator door bumper
25	302521	Panel bar, for 2-liter	52	302862	Wiring diagram w/o light
26	300308	Screw 10023	53	302509	Steel washer
27	302973	Shelf plastic	54	302814	Nylon clamp
			55	302279	Evap. assy.

PARTS NOT ILLUSTRATED

302975	Owner's manual + Parts list + Auxiliary manual
302283	Technical sheet
302981	FTC Label

3 / 19 / 2004

Model: 564.94256400



Get fixed, at your home or ours!

Your Home

For repair-in your home-of all major brand appliances, lawn and garden equipment, or heating and cooling system, **no matter who made it, no matter who sold it!**

For the replacement parts, accessories and owner's manuals that you need to do-it-yourself.

For Sears professional installation of home appliances and items like garage door openers and water heaters.

1-800-4-MY-HOME® (1-800-469-4663)

Call anytime, day or night (U.S.A. and Canada)

www.sears.com www.sears.ca

Our Home

For repair of carry-in items like vacuums, lawn equipment, and electronics, call or go on-line for the location of your nearest **Sears Parts & Repair Center.**

1-800-488-1222

Call anytime, day or night (U.S.A. only)

www.sears.com

To purchase a protection agreement on a product serviced by Sears:

1-800-827-6655 (U.S.A.)

1-800-361-6665 (Canada)

Para pedir servicio de reparación a domicilio, y para ordenar piezas:

1-888-SU-HOGARSM

(1-888-784-6427)

Au Canada pour service en français:

1-888-LE-FOYER^{MC}

www.sears.ca

SEARS

® Registered Trademark/™ Trademark/SM Service Mark of Sears, Roebuck and Co.

® Marca Registrada/™ Marca de Fábrica/SM Marca de Servicio de Sears, Roebuck and Co.

MC Marque commerce/MC Marque déposée de Sears, Roebuck and Co.