



Compact Refrigerator

Models: 91611 - 91615 - 93619

6.1 cu. ft. Capacity

Read This Manual!

It will tell you how to operate and care for your refrigerator. It also offers tips on how to get the best and lowest cost performance.

If you prefer installing your own parts, use the parts list to find the part number. Do not use the illustration number.

In the space below record the model and serial number of your refrigerator. Each is printed on the model number plate located in the upper corner of the refrigerator back. Use these numbers when calling for service.

Model No. _____ Serial No. _____

Full One Year Warranty on Refrigerator

For one year from the date of purchase, when this refrigerator is operated and maintained in accordance with the provided owner's manual. Sears will repair it, free of charge, if found defective in material or workmanship.

Full Five Year Warranty on Sealed Refrigeration System

For five years from the date of purchase, when this refrigerator is operated and maintained in accordance with the provided owner's manual. Sears will repair the sealed system (consisting of refrigerant, connecting tubing and compressor motor), free of charge, if found defective in material or workmanship.

The above warranty coverage applies only to refrigerator which is used for the storage of food for private household purposes.

Warranty service is available by contacting the nearest Sears Service Center in the United States.

This warranty applies only while this product is in use in the United States. This warranty gives you specific rights and you may also have other rights which vary from state to state.

Sears, Roebuck and Co., Dept. 817WA,
Hoffman Estates, IL 60179

Installation

Remove all packing material and tape from the unit. Inspect the unit thoroughly and notify Sears immediately if the unit has any damaged or missing parts.

Install the unit on a strong level floor or counter. Avoid any direct sunlight, heat source or moisture.



CAUTION: If you turn off the cold control, allow at least three minutes before restarting to avoid blowing fuses or tripping your circuit breaker.

Electrical

120 Volts, 60 Hz (60 cycles AC), 15 amps.

Electrical Grounding

Your refrigerator comes with a three-prong plug and must be inserted into a three-prong, grounded wall outlet. Do not use an extension cord.



WARNING: Unless the above grounding methods are followed, you are not protected against severe or lethal shock in the event of a short circuit in refrigerator wiring or electrical components.

Things to Remember

1. When resetting your refrigerator to a new temperature, allow 24 hours for it to reach the new setting.
2. The motor will start and stop often. It must do so in order to maintain the temperature you select.
3. Keep your refrigerator level.
4. Unplug the refrigerator before doing anything with the electrical system.

Use and Care Information

Tips on everyday care and use

1. To control the temperature:

First, set the cold control on "3". Wait 24 hours for the entire cabinet to cool. Then adjust the control if necessary. Setting the Cold Control to MIN, is the warmest setting; MAX is the coldest. The MAX setting may reduce the temperature to below freezing, but it will not cool the refrigerator faster.

The fresh food section should be as cold as possible without freezing vegetables or milk. Adjust as necessary.

2. Defrost:

Defrost when 1/4" frost forms. To start defrosting, push the defrost button at the center of cold control knob. Remove food. Do not touch freezing plate with bare hands. Do not use electric defrost devices or hair dryers to melt frost as they may damage plastic parts. When defrosting is completed the refrigerator will restart the cooling operation automatically. After defrosting, discard the water in the drip tray. Replace food.

3. For all cleaning:

Mix 2 tablespoons baking soda with 1 quart warm water or use a mild soap. Do not use strong cleaners, scouring powder or pads. For persistent odors, contact Sears Service Center for odor removal products. Do not put the drip tray in the dishwasher. Vacuum the condenser tubing on the back of the refrigerator when dusty.

6. **Reduce** the number and length of time you open the door. Your cooling system will not have to run as often.

7. **Keep your refrigerator level**, so that the door seals tightly. When the door is closed, the door gaskets should touch the refrigerator all the way around. If not, make your refrigerator level by use of the adjustable leg located under the unit.

8. **Keep your refrigerator away** from stoves or other heat sources. A cool and dry place allows your refrigerator to operate more efficiently.

Before Calling for Service

- Check the plug and fuse.
- Test the outlet with a lamp.
- Be sure the control is not set to OFF.
- Read the manual, especially the items under the Use and Care Information. You may find the answer to your questions.
- If you do not find the answer to your questions in this manual, find the unit model number (on the upper back of the refrigerator) and contact your Sears Service Center.



DANGER: ELECTRICAL SHOCK HAZARD
Disconnect power before servicing.

Energy Saving tips

1. **Close the door as soon as you can** after opening it. Make sure that the door is fully shut after each use so that cold air does not escape from the refrigerator cavity.
2. **Adjust the Cold Control.** Try a warmer setting. Your refrigerator may be colder than necessary. Use the condition of milk to check refrigerator temperature. As long as milk keeps without spoiling your refrigerator is cold enough.
3. **Do Not place hot food** in the refrigerator.
4. **Do Not allow more than 1/4 inch** of frost to build up in the freezer compartment.

When requesting service or ordering parts, always provide the following information:

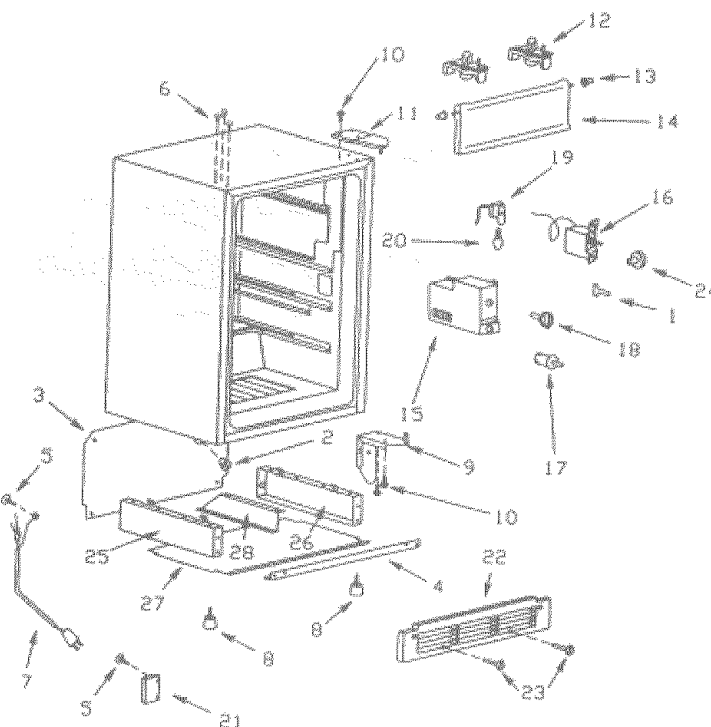
- Product name.
- Model number.
- Part Name
- Part Number

Parts List

Model: 564.93619100
 Model: 564.91611100
 Model: 564.91615100

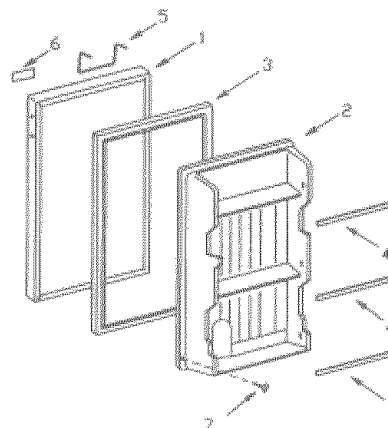
CAUTION. Use Kenmore parts number on all orders, not the illustration number.

Illus. No.	Part No.	Description
1	301092	Clip, Thermo Knob
2	302334	Rubber Bushing
3	302333	Rear Cover
4	302678	Plate Reinforcement
5	301991	Screw #10026
6		Plug Button
	302372	White
	302686	Black
7	301744	Power Cord SPT-3
8	301877	Leg
9	301867	Hinge Bottom
10	302009	Bolt #10119
11	301899	Hinge Top
12	302187	Evaporator Bracket W/pin
13	302329	Hinge Grommet
14	302162	Door, Evaporator
15	302685	Panel Thermo
16	301902	Thermostat CTB-U124
17	302192	Door Switch
18	302422	Knob, Thermo
19	302199	Socket
20	301021	Indicator Lamp
21	301817	Cord Clamp
22	301873	Kick Plate, Black
23	300533	Screw #10002
24	300227	Button, Defrost
25	301870	Frame Side, Left
26	301871	Frame Side, Right
27	302679	Frame Bottom Assy.
28	302677	Plate Auxiliary



Door Parts

Illus. No.	Part No.	Description
1	302948	Door Foamed, Stainless
1	302194	Door Foamed, White
1	301947	Door Foamed, Black
2	301896	Door Liner
3	302681	Door Gasket Assy, Black
3	301897	Door Gasket Assy, White
4	302241	Trim Shelf, Door
5		Handle
	301949	White
	301950	Black
6		MAscot
	302340	White
7	302362	Black
	302308	Screw #10023



Parts List

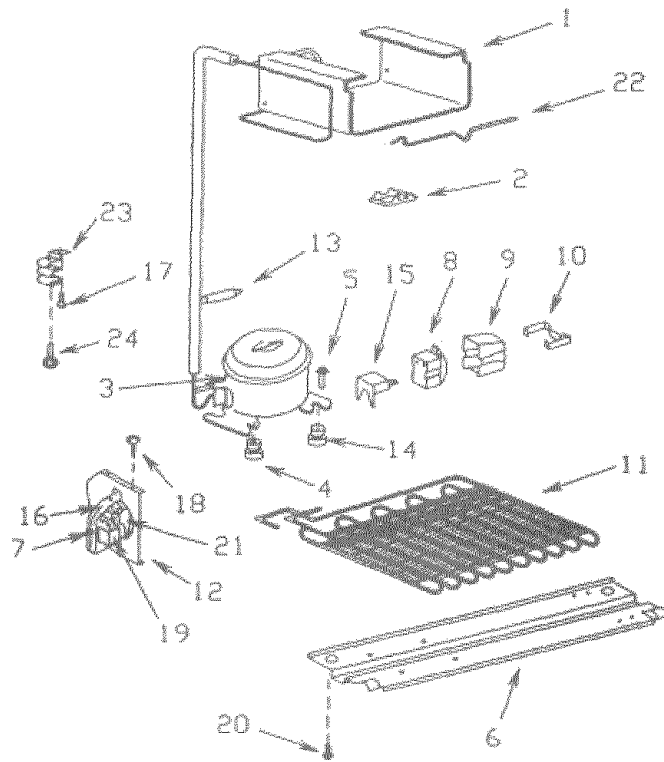
Model: 564.93619100

Model: 564.91611100

Model: 564.91615100

CAUTION. Use Kenmore parts number on all orders, not the illustration number.

Illus. No.	Part No.	Description
1	302327	Evaporator Assy
2	300255	Clamp, Thermo
3	302635	Compressor C-QE43L2A
4	302289	Grommet #10196
5	300413	Bolt #10194
6	302683	Plate Cabinet Base
7	302025	Grommet, Fan Motor
8	302306	PTC Thermister
9	302573	Cover Relay
10	302696	Clip, Relay Cover
11	302420	Condenser
12	302027	Bracket B, Fan Motor
13	302304	Drier
14	302427	Grommet #10195
15	301976	Overload Relay 189T
16	302947	Bracket A, Fan Motor
17	300546	Screw #10019
18	301890	Screw #10020
19	302680	Fan Motor
20	302009	Bolt #10119
21	301925	Fan Blade
22	302270	Evap. Stud
23	301881	Plate Support
24	302949	Screw #201

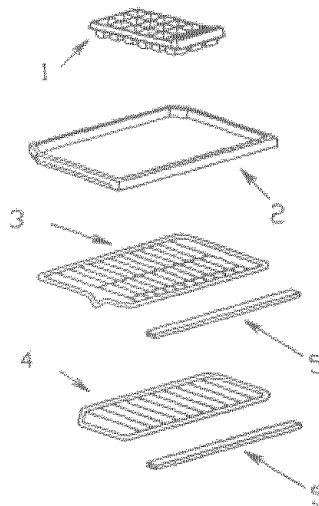


Accessories

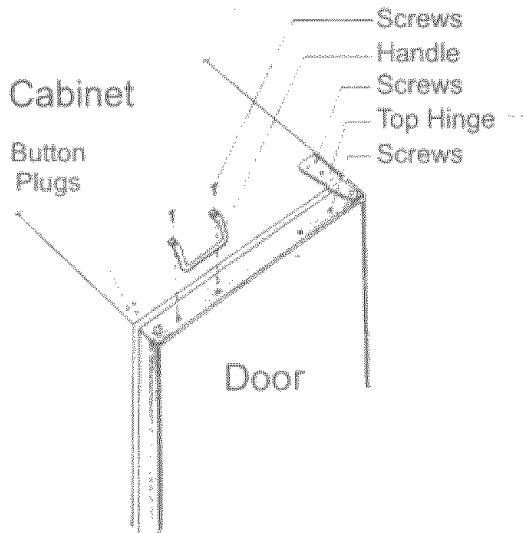
Illus. No.	Part No.	Description
1	302486	Ice Cube Tray
2	301583	Drip Tray
3	301908	Shelf, Upper
4	301909	Shelf, Lower
5	302335	Trim Shelf

Parts Not Illustrated

Part No.	Description
302945	Owner's manual/Parts list
301952	Technical sheet
302946	Wiring Diagram
302639	FTC Label
302684	Grommet, Black
300426	Support, Tube Condenser
302550	Cap Grommet, Black
3022388	Cap Grommet, White



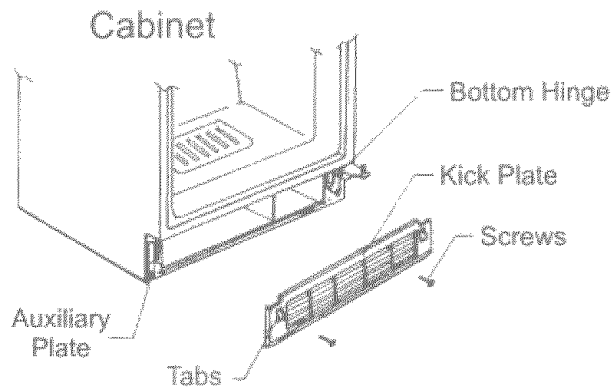
HOW TO INSTALL DOOR HANDLE:



STEPS:

1. Remove two (2) screws at the top left side portion of the door if using right door hinge (right side if using left door hinge), save screws.
2. Position door handle on top (as shown) and secure handle with two (2) screws, using proper Phillips Screw Driver.

HOW TO INSTALL KICK PLATE:



STEPS:

1. Kick Plate tabs portion on top.
2. Insert tabs on bottom hinge plate and auxiliary plate holes.
3. Secure Kick Plate with two (2) screws (as shown) using proper Phillips Screw Driver.

IMPORTANT: DOOR REVERSING INSTRUCTIONS:

IF THIS KITCHEN UNIT IS TO BE INSTALLED WITH THE RIGHT SIDE WALL EXTENDING OUT BEYOND THE FRONT OF THE KITCHEN UNIT, THE HANDLE OF THE REFRIGERATOR DOOR MUST BE CHANGED TO LEFT HAND TO ALLOW FULL ACCESS TO THE INTERIOR OF THE REFRIGERATOR AND TO PREVENT THE REFRIGERATOR DOOR FROM BUMPING THE SIDE WALL WHEN OPENED.

STEPS:

1. Remove top hinge by removing three (3) screws at the top of refrigerator.
2. Remove handle from left side of refrigerator door by removing two (2) screws at top. Put back two (2) screws.
3. Remove three (3) plug buttons at the top of refrigerator.
4. Remove kick plate by removing two (2) screws, tabs pressed in toward its center and pull out.
5. Remove bottom hinge by removing three (3) screws at the bottom of refrigerator.
6. Remove auxiliary plate by removing two (2) screws.
7. Attach bottom hinge to opposite side, securing three (3) screws.
8. Attach auxiliary plate to opposite side, securing two (2) screws.
9. Position refrigerator door into pin on bottom refrigerator hinge.
10. Attach top refrigerator hinge to box with three (3) screws and hinge pin down into refrigerator door.
11. Insert three (3) plug buttons into holes on top of refrigerator.
12. Re-attach kick plate with two (2) screws.
13. Re-attach handle to right side.

Get fixed, at your home or ours!

Your Home

For repair-in your home-of all major brand appliances, lawn and garden equipment, or heating and cooling system, **no matter who made it, no matter who sold it!**

For the replacement parts, accessories and owner's manuals that you need to do-it-yourself.

For Sears professional installation of home appliances and items like garage door openers and water heaters.

1-800-4-MY-HOME® (1-800-469-4663)

Call anytime, day or night (U.S.A. and Canada)

www.sears.com www.sears.ca

Our Home

For repair of carry-in items like vacuums, lawn equipment, and electronics, call or go on-line for the location of your nearest **Sears Parts & Repair Center.**

1-800-488-1222

Call anytime, day or night (U.S.A. only)

www.sears.com

To purchase a protection agreement on a product serviced by Sears:

1-800-827-6655 (U.S.A.)

1-800-361-6665 (Canada)

Para pedir servicio de reparación a domicilio, y para ordenar piezas:

1-888-SU-HOGARSM

(1-888-784-6427)

Au Canada pour service en français:

1-888-LE-FOYER^{MC}

www.sears.ca

SEARS

® Registered Trademark/™ Trademark/™ Service Mark of Sears, Roebuck and Co.

® Marca Registrada/™ Marca de Fábrica/™ Marca de Servicio de Sears, Roebuck and Co.

™ Marque commerce/™ Marque déposée de Sears, Roebuck and Co.

Part No. 8336460150910B
(SP6102SD/SR610/S*)

Printed in Mexico
(5/30/03)