



## Compact Refrigerator

Models: 91171/91179

1.7 cu. ft. Capacity

### Read This Manual!

It will tell you how to operate and care for your refrigerator. It also offers tips on how to get the best and lowest cost performance.

If you prefer installing your own parts, use the parts list to find the part number. Do not use the illustration number.

In the space below record the model and serial number of your refrigerator. Each is printed on the model number plate located in the upper corner of the refrigerator back. Use these numbers when calling for service.

Model No. \_\_\_\_\_ Serial No. \_\_\_\_\_

### Full One Year Warranty on Refrigerator

For one year from the date of purchase, when this refrigerator is operated and maintained in accordance with the owner's manual that come with it, Sears will repair it, free of charge, if found defective in material or workmanship.

### Full Five Year Warranty on Sealed Refrigeration System

For five years from the date of purchase, when this refrigerator is operated and maintained in accordance with the owner's manual that come with it, Sears will repair the sealed system (consisting of refrigerant, connecting tubing and compressor motor), free of charge, if found defective in material or workmanship.

The above warranty coverage applies only to refrigerator which is used for the storage of food for private household purposes.

Warranty service is available by contacting the nearest Sears Service Center in the United States.

This warranty applies only while this product is in use in the United States. This warranty gives you specific rights and you may also have other rights which vary from state to state.

SEARS, ROEBUCK & CO.  
D/817WA, HOFFMAN ESTATES, IL 60179

### Installation

Remove all packing material and tape from the unit. Inspect the unit thoroughly, notify Sears immediately if the unit has any damaged or missing parts.

Install the unit on a strong level floor or counter. Avoid any direct sunlight, heat source or moisture.

Let air circulate freely around the refrigerator. Keep the back of the unit at least 4 inches away from the wall. Provide at least 1 inch of space between the top of the unit and any surface above it.



**CAUTION:** If you turn off the cold control, allow at least three minutes before restarting to avoid blowing fuses or tripping your circuit breaker.

### Electrical Requirements

120 Volts, 60 Hz (60 cycles AC), 15 amps.

### Electrical Grounding

Your refrigerator comes with a three-prong plug and must be inserted into a three-prong, grounded wall outlet. Do not use an extension cord.



**WARNING:** Unless the above grounding methods are followed, you are not protected against severe or lethal shock in the event of a short circuit in refrigerator wiring or electrical components.

### Things to Remember

1. When resetting your refrigerator to a new temperature, allow 24 hours for it to reach the new setting.
2. The motor will start and stop often. It must do so in order to maintain the temperature you select.
3. Keep your refrigerator level.
4. Unplug the refrigerator before doing anything with the electrical system.

---

Sears, Roebuck and Co., Hoffman Estates, IL 60179

---

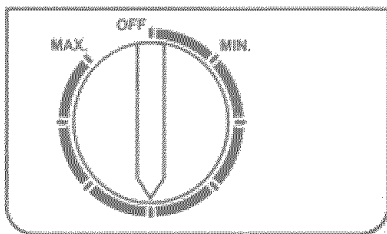
# Use and Care Information

## Tips on everyday care and use

### 1. To control the temperature:

First, set the Cold Control on medium position. (See picture below). Then adjust the control if necessary. Setting the Cold Control to MIN is the warmest setting; MAX is the coldest. The MAX setting may reduce the temperature to below freezing, but it will not cool the refrigerator faster.

The fresh food section should be as cold as possible without freezing vegetables or milk. Adjust as necessary.



### 2. Defrost:

Defrost when 1/4 inch frost forms. Set the temperature control dial to OFF for defrosting. Remove food. Do not touch the freezing plate with your bare hands. Do not use electric defrost devices or hair dryers to melt the frost. They may damage the plastic parts. When defrosting is completed, wipe the freezing plate dry and reset the control dial. Return food to the refrigerator.

### 3. For all cleaning:

Mix 2 tablespoons baking soda with 1 quart warm water or use a mild soap. Do not use strong cleaners, scouring powder or pads. For persistent odors, contact Sears Service Center for odor removal products.

## Energy Saving tips

1. Close the door as soon as you can after opening it to remove food. Make sure that the door is fully shut after each use so that cold air does not escape from the refrigerator cavity.
2. Adjust the Cold Control. Try a warmer setting. Your refrigerator may be colder than necessary. Use the condition of the milk or check the refrigerator temperature. As long as milk keeps without spoiling your refrigerator is cold enough.

3. Do not place hot food in the refrigerator.
4. Reduce the number and length of time you open the door. Your cooling system will not have to run as often.
5. Keep your refrigerator level, so that the door seals tightly. When the door is closed, the door gaskets should touch the refrigerator all the way around.
6. If not, make the refrigerator level by use of the adjustable leg located under the unit.
7. Keep your refrigerator away from stoves or other heat sources. A cool and dry place allows your refrigerator to operate more efficiently.

## Before Calling for Service

- Check the plug and fuse.
- Test the outlet with a lamp.
- Be sure the control is not set to OFF.
- Read the manual, especially the items under Use and Care Information. You may find the answer to your questions.
- If you do not find the answer to your questions in this manual, find the unit model number (on the upper back of the refrigerator) and contact your Sears Service Center.

When requesting service or ordering parts, always provide the following information:

- Product name.
- Model number.
- Part Name
- Part Number



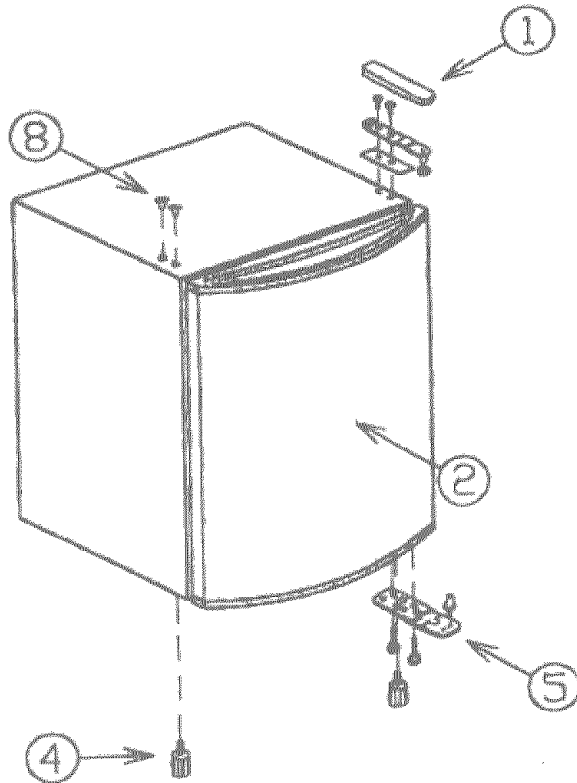
**DANGER: ELECTRICAL SHOCK HAZARD**

**Disconnect power before servicing.**

# HOW TO TRANSFER THE DOOR HINGE LOCATION OF A REVERSIBLE DOOR

Refer to the disassembly diagram and change the door hinges using the following procedure:

1. Remove the top hinge and loosen and remove the two screws holding the top hinge in place.
2. Lift the door up and off the bottom hinge pin. Tilt the refrigerator back or lay it on its back. Use a pad or blanket to protect the floor and to avoid scratching the painted finish.
3. Loosen and remove the leg and the two screws from the bottom hinge.
4. Remove the leg from the left side of the cabinet.
5. Remove and transfer the bottom hinge to the left side without flipping or turning it.
6. Install the leg that was removed from the left side to the right side of the cabinet.
7. Place the door over the bottom hinge pin and guide the door bottom hole to the pin.
8. Remove the two plugs from the top left side of the cabinet. Place the top hinge over these holes and the hinge pin into the hole on top of the door. Drive the screws into the top of the cabinet. Do not tighten until the door is checked for proper gasket seal alignment. The following points should be checked.
  - a. Make sure the door is on straight.
  - b. Make sure that there is no space between the door gasket and the refrigerator unit itself when the door is closed.
  - c. Make sure that the gasket on the hinge side is not caught between the door and the unit when the door is opened or closed. *(If the door is forced closed when the gasket is caught, the gasket may be damaged.)*
9. Stand the unit back in the upright position. Wait 3 hours before plug in the power cord.



# Parts List

SR1705SB

SR1705SW

Model: 564.91179400 (black)

Model: 564.91171100 (white)

CAUTION: Use Kenmore parts number on all orders, not the illustration number.

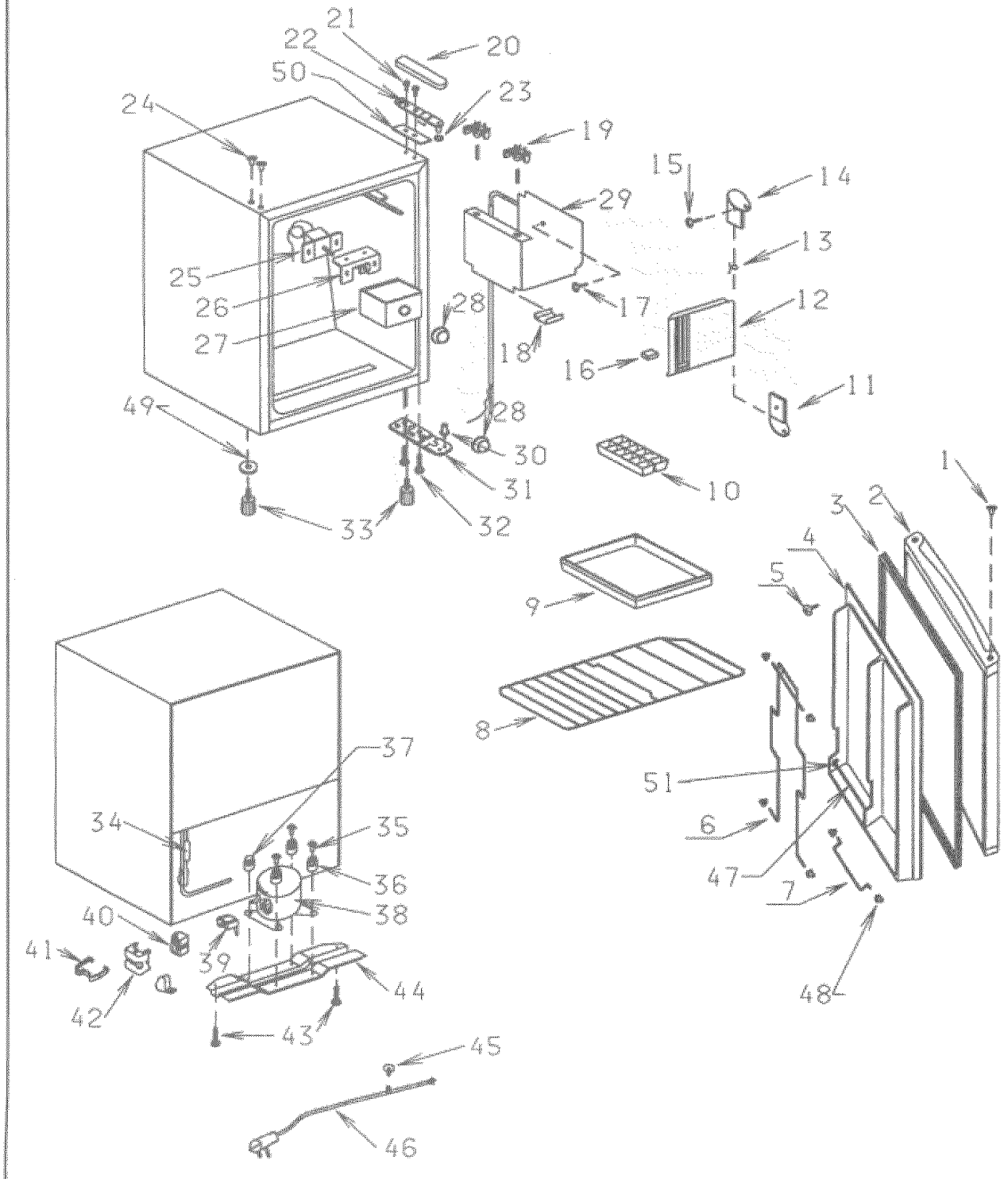
Illus. No.	Part No.	Description	Illus. No.	Part No.	Description
1		Grommet cap	24		Plug button
	302550	Black		302359	Black
	302388	White		302372	White
2		Foamed door assembly	25	302522	Thermostat
	302982	Black	26	302710	Plate mounting thermo
	302518	White	27	302523	Thermo panel
3		Door gasket	28	301919	Thermo knob
	302983	Black	29	302524	Evaporator assembly
	301612	White	30	302903	Shaft hinge bottom
4	302519	Door line	31	302345	Bottom hinge
5	300308	Screws	32	302009	Bolts
6	302520	Soda can dispenser	33	302291	Leg
7	302521	Door panel bottom	34	302304	Drier
8	300151	Shelf	35	300413	Compressor mounting bolts
9	300150	Drip tray	36	302427	Compressor mounting grommets
10	302486	Ice cube tray	37	302289	Compressor mounting grommet, no hole
11	300468	Evap. door hinge with pin, lower	38	302754	Compressor
12	302374	Evaporator door	39	302265	Overload relay
13	300173	Spring, evaporator door	40	302306	PTC thermistor
14	300467	Evap. door hinge with pin, upper	41	301957	Clip, relay cover
15	300494	Screw	42	302573	Relay cover
16	302375	Evaporator door bumper	43	302009	Bolts
17	300494	Screw	44	302365	Compressor base plate
18	301923	Clamp, thermo bulb	45	300493	Screw
19	302187	Evaporator bracket with pin	46	302525	Power cord
20		Cover hinge top	47	302541	Door bar
	302361	Black	48	300499	Door shelf bushing
	302343	White	49	302509	Steel washer
21	302009	Bolts	50	302711	Shim, hinge top
22	302342	Hinge top	51	302854	Door shelf bushing PE
23	302813	Nylon washer, #10184			

## Parts not illustrated

Part No.	Description
302526	Owner's manual/Parts list
302283	Technical sheet
302362	Mascot black
302340	Mascot white
302863	Wiring diagram
302380	FTC label

MODEL NAME: 564.91179400

MODEL NAME: 564.91171100



# Get fixed, at your home or ours!

## Your Home

For repair-in your home-of all major brand appliances, lawn and garden equipment, or heating and cooling system, no matter who made it, no matter who sold it!

For the replacement parts, accessories and owner's manuals that you need to do-it-yourself.

For Sears professional installation of home appliances and items like garage door openers and water heaters.

**1-800-4-MY-HOME®** (1-800-469-4663)

Call anytime, day or night (U.S.A. and Canada)

[www.sears.com](http://www.sears.com) [www.sears.ca](http://www.sears.ca)

---

## Our Home

For repair of carry-in items like vacuums, lawn equipment, and electronics, call or go on-line for the location of your nearest **Sears Parts & Repair Center.**

**1-800-488-1222**

Call anytime, day or night (U.S.A. only)

[www.sears.com](http://www.sears.com)

---

To purchase a protection agreement on a product serviced by Sears:

**1-800-827-6655** (U.S.A.)

**1-800-361-6665** (Canada)

---

Para pedir servicio de reparación a domicilio, y para ordenar piezas:

**1-888-SU-HOGAR<sup>SM</sup>**

(1-888-784-6427)

Au Canada pour service en français:

**1-888-LE-FOYER<sup>MC</sup>**

[www.sears.ca](http://www.sears.ca)



® Registered Trademark™ Trademark<sup>SM</sup> Service Mark of Sears, Roebuck and Co.

® Marca Registrada™ Marca de Fábrica<sup>SM</sup> Marca de Servicio de Sears, Roebuck and Co.

™C Marque commerce<sup>MC</sup> Marque déposée de Sears, Roebuck and Co.