



Compact Refrigerator

Model: 61912

9.5 cu. ft. Capacity

Read This Manual!

It will tell you how to operate and care for your refrigerator. It also offers tips on how to get the best and lowest cost performance.

If you prefer installing your own parts, use the parts list to find the part number. Do not use the illustration number.

In the space below record the model and serial number of your refrigerator. Each is printed on the model number plate located in the upper corner of the refrigerator back. Use these numbers when calling for service.

Model No. _____ Serial No. _____

Full One Year Warranty on Refrigerator

For one year from the date of purchase, when this refrigerator is operated and maintained in accordance with the provided owner's manual. Sears will repair it, free of charge, if found defective in material or workmanship.

Full Five Year Warranty on Sealed Refrigeration System

For five years from the date of purchase, when this refrigerator is operated and maintained in accordance with the owner's manual that come with it, Sears will repair the sealed system (consisting of refrigerant, connecting tubing and compressor motor), free of charge, if found defective in material or workmanship.

The above warranty coverage applies only to a refrigerator which is used for the storage of food for private household purposes.

Warranty service is available by contacting the nearest Sears Service Center in the United States.

This warranty applies only while this product is in use in the United States. This warranty gives you specific rights and you may also have other rights which vary from state to state.

Sears, Roebuck and Co., Dept. 817WA,
Hoffman Estates, IL 60179

Installation

Remove all packing material and tape from the unit. Inspect the unit thoroughly. Notify Sears immediately if the unit has any damaged or missing parts.

Install the unit on a strong level floor or counter. Avoid any direct sunlight, heat source or moisture.

Let air circulate freely around the refrigerator. Keep the back of the unit at least 4 inches away from the wall. Provide at least 1 inch of space between the top of the unit and any surface above it.



CAUTION: If you turn off the cold control, allow at least three minutes before restarting to avoid blowing fuses or tripping your circuit breaker.

Electrical Requirements

120 Volts, 60 Hz (60 cycles AC), 15 amps.

Electrical Grounding

Your refrigerator comes with a three-prong plug and must be inserted into a three-prong, grounded wall outlet. Do not use an extension cord.



WARNING: Unless the above grounding methods are followed, you are not protected against severe or lethal shock in the event of a short circuit in refrigerator wiring or electrical components.

Things to Remember

1. When resetting your refrigerator to a new temperature, allow 24 hours for it to reach the new setting.
2. The motor will start and stop often. It must do so in order to maintain the temperature you select.
3. Keep your refrigerator level.
4. Unplug the refrigerator before doing anything with the electrical system.

Sears, Roebuck and Co., Hoffman Estates, IL 60179

Use and Care Information

Tips on everyday care and use

1. To control the temperature:

First, set the Cold Control on "3". Wait 24 hours for the entire cabinet to cool. Then adjust the control if necessary. Setting the Cold Control to MIN, is the warmest setting; MAX is the coldest. The MAX setting may reduce the temperature to below freezing, but it will not cool the refrigerator faster.

The fresh food section should be as cold as possible without freezing vegetables or milk.

Adjust as necessary.

2. Defrost:

Defrost when 1/4 inch frost forms. Set the temperature control dial to OFF for defrosting. Remove food. Do not touch freezing plate with bare hands. Do not use electric defrost devices or hair dryers to melt frost. They may damage plastic parts.

When defrosting is completed, wipe the freezing plate dry and reset the control dial. Return food to the refrigerator.

3. For all cleaning:

Mix 2 tablespoons baking soda with 1 quart warm water or use a mild soap. Do not use strong cleaners, scouring powder or pads. For persistent odors, contact Sears Service Center for odor removal products. Do not put the drip tray in the dishwasher. Vacuum the condenser tubing on the back of the refrigerator when dusty.

Energy Saving tips

1. **Close the door as soon as you can** after opening it to remove food. Make sure the door is fully shut after each use so that cold air does not escape from the refrigerator cavity.
2. **Keep the condenser coils clean.** The motor must work harder when the coils are dusty. Clean the coils at least once every 3 months. They are located on the back of the unit.
3. **Adjust the Cold Control.** Try a warmer setting. Your refrigerator may be colder than necessary. Use the condition of milk to check refrigerator temperature. As long as milk keeps without spoiling your refrigerator is cold enough.
4. **Do Not** place hot food in the refrigerator.
5. **Do Not** allow more than 1/4 inch of frost to build up in the freezer compartment.

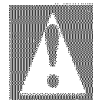
6. **Reduce** the number and length of time you open the door. Your cooling system will not have to run as often.
7. **Keep your refrigerator level**, so that the door seals tightly. When the door is closed, the door gaskets should touch the refrigerator all the way around. If not, make your refrigerator level by use of the adjustable leg located under the unit.
8. **Keep your refrigerator away** from stoves or other heat sources. A cool and dry place allows your refrigerator to operate more efficiently.

Before Calling for Service

- Check the plug and fuse.
- Test the outlet with a lamp.
- Be sure the control is not set to OFF.
- Read the manual, especially the items under the Use and Care Information. You may find the answer to your questions.
- If you do not find the answer to your questions in this manual, find the unit model number (on the upper back of the refrigerator) and contact your Sears Service Center.

When requesting service or ordering parts, always provide the following information:

- Product name.
- Model number.
- Part Name
- Part Number

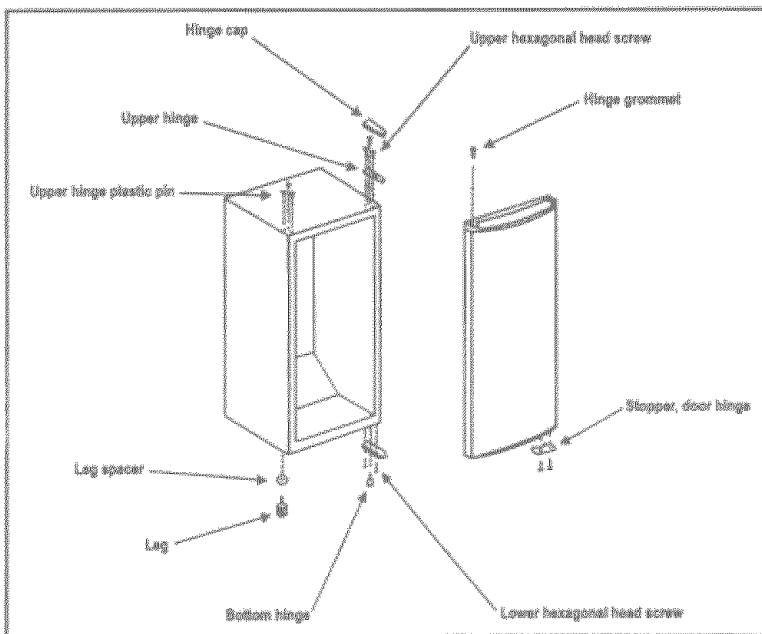


DANGER: ELECTRICAL SHOCK HAZARD
Disconnect power before servicing.

HOW TO TRANSFER THE DOOR HINGE LOCATION OF A REVERSIBLE DOOR

Refer to the disassembly diagram and change the door hinges in the following procedure.

1. Remove the hinge cap by twisting it off.
 2. Use a pad or blanket to protect the floor and to avoid scratching the painted finish.
 3. Remove the upper hexagonal head screws. The refrigerator door can now be removed.
 4. Tilt the refrigerator back or lay it on its back for steps. Remove the lower hexagonal head screws and the leg.
 5. Remove the left side leg, attach them to the other side hole which was positioned symmetrically.
 6. Attach the bottom hinge symmetrically to the other side of the cabinet.
 7. Remove the upper hinge plastic pins and insert them in the holes that the screws were removed in Procedure 2.
 8. Take off the hinge grommet using a screwdriver and insert it on the opposite side.
 9. Remove the door hinge stopper and install it in the other side of the door.
 10. Attach the door to the lower hinge.
 11. Attach the upper hinge to the door and use the screws to attach the upper hinge. *(Do not tighten the screws completely.)*
 12. The direction in which the door opens has now been changed: however, the following points should be checked.
 - (A) Make sure the door is on straight.
 - (B) Make sure that there is no space between the door gasket and the refrigerator unit itself when the door is closed.
 - (C) Make sure that the gasket on the hinged side is not caught between the door and the unit when the door is opened or closed. *(If the door is forced closed when the gasket is caught, the gasket may be damaged.)*
- When checking the above points, if it is installed correctly, tighten all the screws holding the hinges. If they are not tightened, the door may slip out of position or there may be an opening between the door and the unit.
13. Allow the unit to stand upright for three (3) hours before connecting it to a power supply.



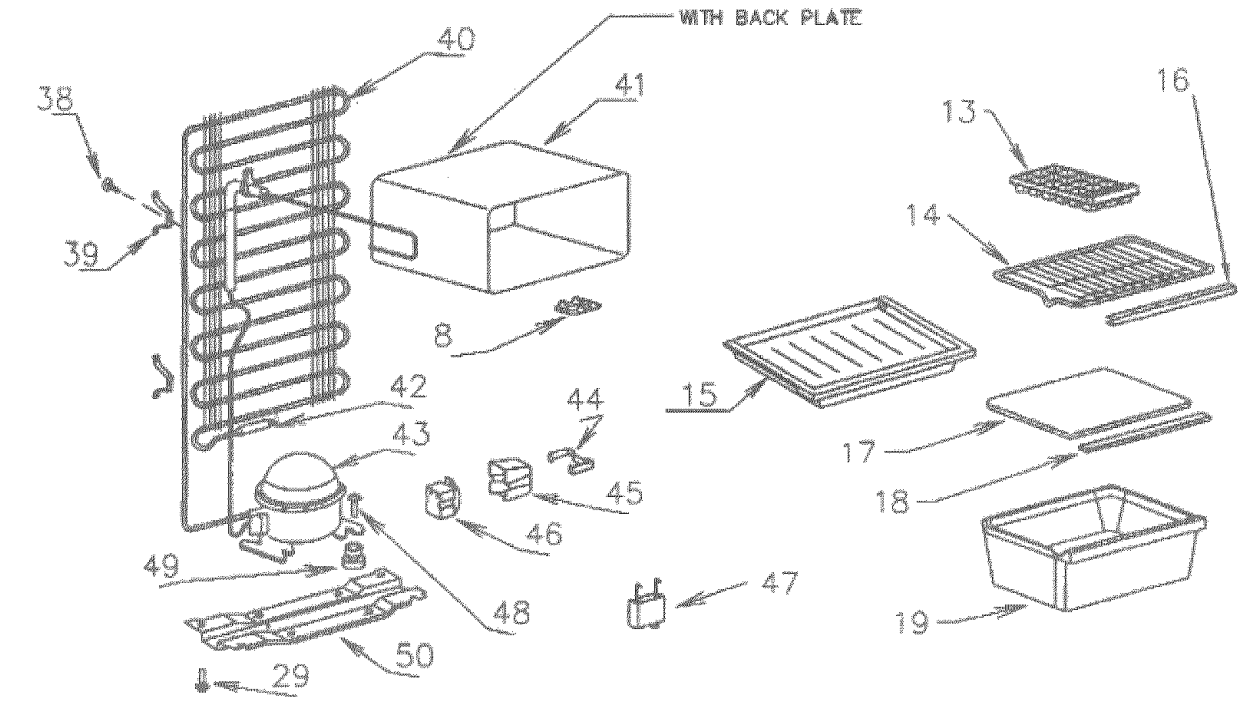
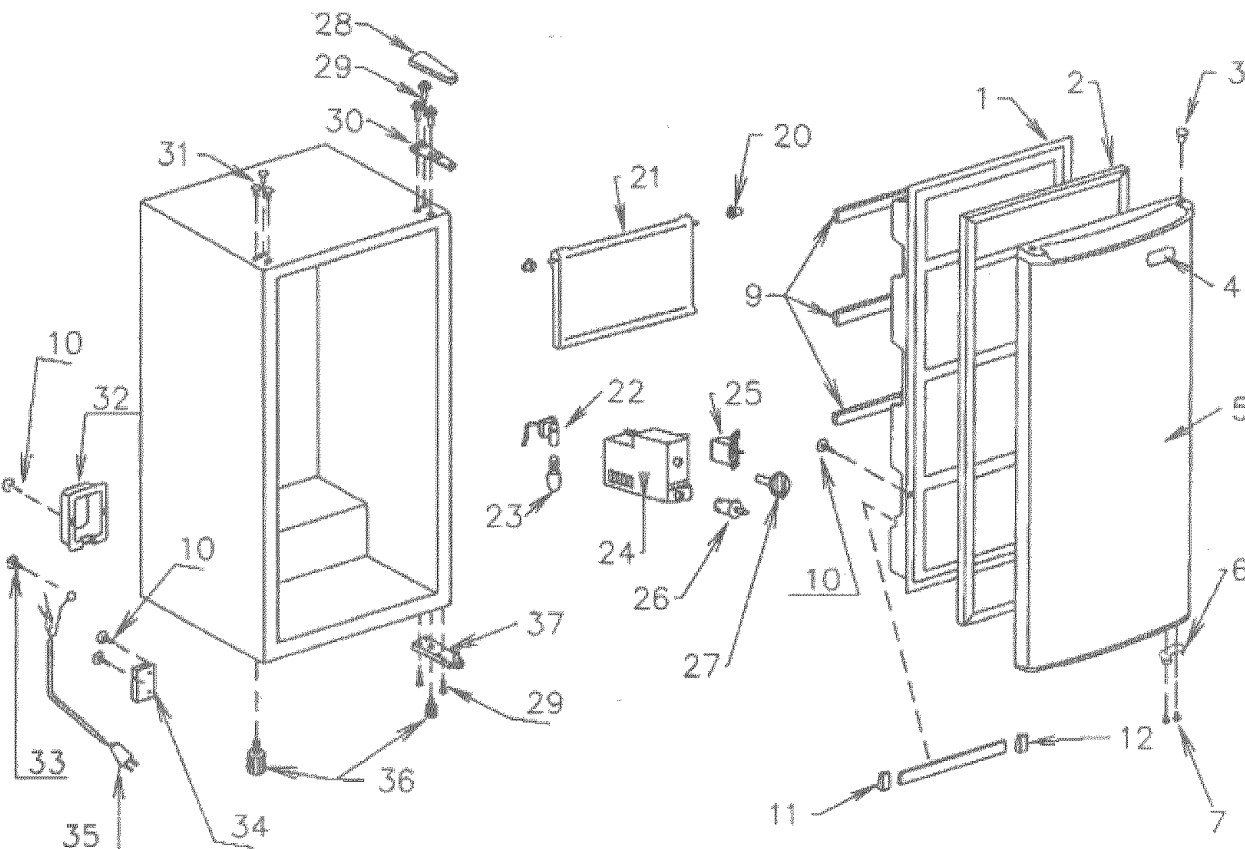
Parts List

Model: 564.61912400

CAUTION: Use Kenmore parts number on all orders, not the illustration number.

Illus. No.	Part No.	Description	Illus. No.	Part No.	Description
1	301811	Door Liner	30	301718	Hinge Top
2	302653	Gasket, White	31	302372	Plug Buttons
3	302388	Grommet Cap	32	301730	Case Wire Splicer
4	302340	Mascot	33	301991	#026 Machine Screw
5	303014	Foamed Door	34	301817	Cord Clamp
6	300864	Stopper, Door	35	301744	Power Cord
7	300307	#10015 Machine Screw	36	300885	Leg
8	300255	Thermo Bulb Clamp	37	302426	Bottom Hinge
9	303016	Panel Guard, Door	38	302317	Screw
10	300308	Screw #023	39	302780	Condenser Bracket
11	301847	Door Shelf Bushing Right	40	302646	Condenser
12	301846	Door Shelf Bushing Left	41	302659	Evaporator
13	302486	Ice Cube Tray	42	302304	Drier
14	302644	Shelf	43	302648	Compressor
15	302966	Drip Tray	44	302202	Clip Relay Cover
16	302970	Trim Shelf	45	302201	Relay Cover
17	302670	Glass Shelf	46	302650	PTC Thermistor
18	302671	Trim for glass shelf	47	302759	Running Capacitor
19	301795	Crisper	48	300413	Compressor Mtg Bolt
20	302309	Evaporator Door grommet	49	302427	Compressor Mtg Grommet
21	302965	Evaporator Door	50	302651	Compressor Base Plate
22	302199	Socket for lamp			
23	301021	Lamp			
24	302685	Panel Thermo			
25	301581	Thermostat			
26	302192	Switch			
27	302175	Thermo Knob			
28	300033	Hinge Cover			
29	302009	#119 Bolts			

Part No.	Description
303015	Owner's manual/Parts list
302655	Technical sheet
302969	FTC Label



Get fixed, at your home or ours!

Your Home

For repair-in your home-of all major brand appliances, lawn and garden equipment, or heating and cooling system, **no matter who made it, no matter who sold it!**

For the replacement parts, accessories and owner's manuals that you need to do-it-yourself.

For Sears professional installation of home appliances and items like garage door openers and water heaters.

1-800-4-MY-HOME® (1-800-469-4663)

Call anytime, day or night (U.S.A. and Canada)

www.sears.com www.sears.ca

Our Home

For repair of carry-in items like vacuums, lawn equipment, and electronics, call or go on-line for the location of your nearest **Sears Parts & Repair Center.**

1-800-488-1222

Call anytime, day or night (U.S.A. only)

www.sears.com

To purchase a protection agreement on a product serviced by Sears:

1-800-827-6655 (U.S.A.)

1-800-361-6665 (Canada)

Para pedir servicio de reparación a domicilio, y para ordenar piezas:

1-888-SU-HOGARSM

(1-888-784-6427)

Au Canada pour service en français:

1-888-LE-FOYER^{MC}

www.sears.ca

SEARS

® Registered Trademark/™ Trademark/SM Service Mark of Sears, Roebuck and Co.

© Marca Registrada/™ Marca de Fábrica/SM Marca de Servicio de Sears, Roebuck and Co.

MC Marque commerciale/MC Marque déposée de Sears, Roebuck and Co.