



Wine Cellar

Model 13355

35 Bottles Capacity

Read This Manual!

It will tell you how to operate and care for your wine cellar. It also offers tips on how to get the best and lowest cost performance.

If you prefer installing your own parts, use the parts list to find the part number. Do not use the illustration number. In the space below record the model and serial number of your wine cellar. Each is printed on the model number plate located in the upper corner of the wine cellar back. Use these numbers when calling for service.

Model No. _____ Serial No. _____

Full One Year Warranty on Wine Cellar

For one year from the date of purchase, when this wine cellar is operated and maintained in accordance with the provided owner's manual, Sears will repair it, free of charge, if found defective in material or workmanship.

Full Five Year Warranty on Sealed Refrigeration System

For five years from the date of purchase, when this wine cellar is operated and maintained in accordance with the owner's manual, Sears will repair the sealed system (consisting of refrigerant, connecting tubing and compressor motor), free of charge, if found defective in material or workmanship.

The above warranty coverage applies only to a wine cellar which is used for the storage of wine for private household purposes.

Warranty service is available by contacting the nearest Sears Service Center throughout the United States.

This warranty applies only while this product is in use in the United States. This warranty gives you specific rights and you may also have other rights which vary from state to state.

SEARS, ROEBUCK & CO.

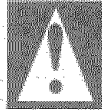
D/817WA, HOFFMAN ESTATES, IL 60179

Installation

Remove all packing material and tape from the unit and inspect the unit thoroughly. Notify Sears immediately if the unit is found with damaged or missing parts.

Install the unit on a strong level floor or counter. Avoid any direct sunlight, heat source or moisture.

Let air circulate freely around the wine cellar. Keep the back of the unit at least 4 inches away from the wall. Provide at least 1 inch of space between the top of the unit and any surface above it.



CAUTION: If you turn off the cold control, allow at least three minutes before restarting to avoid blowing fuses or tripping your circuit breaker.

Electrical

120 Volts, 60 Hz (60 cycles AC), 15 amps.

Electrical Grounding

Your wine cellar comes with a three-prong plug and must be inserted into a three-prong, grounded wall outlet. Do not use an extension cord.



WARNING: Unless the above grounding methods are followed, you are not protected against severe or lethal shock in the event of a short circuit in refrigerator wiring or electrical components.

Things to Remember

1. When resetting your wine cellar to a new temperature, allow 24 hours for it to reach the new setting.
2. The motor will start and stop often. It must do so in order to maintain the selected temperature.
3. Keep your wine cellar level.
4. Unplug the wine cellar before conducting service and/or maintenance.

Sears, Roebuck and Co., Hoffman Estates, IL 60179

Use and Care Information

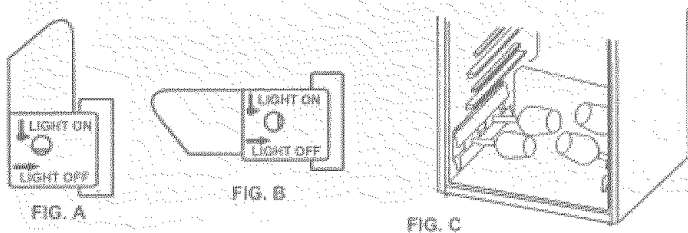
Tips on everyday care and use

1. To control the temperature:

Set the cold control to setting #3. Wait 24 hours for the entire cabinet to cool. Once the unit has stabilized, you may readjust the unit to your desired temperature. Setting the temperature control to "Red" will reach the warmest setting; White "Chill" will reach the coldest temperature. **Note:** Storage area temperature will depend on the quantity of wines stored and how frequently the door is opened.

2. Interior Light:

When Door Switch Actuator (Parts List #6 & #7) is in Vertical Position (Fig. A), Light will stay on regardless of whether Glass Door is open or closed. As Light Bulb creates heat, keeping Light on for long periods of time will increase Energy Consumption. For normal operation, keep Door Switch Actuator in Horizontal position (Fig. B) and Light will turn on while Glass Door is open.



3. Placement of Bottles:

Your wine cellar will accommodate up thirty-five 750 ml bottles. Five Bottles will fit on each of the upper six chrome cradles, the bottom of the cellar will accommodate an additional 5 Bottles. Additionally two Wine Glass Holders (Fig. C) located on the bottom side of cellar allow wine glasses to be stored instead of 5 bottles. **Note: The capacity of the Glass Holders will depend on size of Glasses.** In the event that your wine collection consists of different 750 ml bottle shapes, please arrange your wine collection as follows:

- Insert the 1st bottle with the cork facing the glass door on the rack of your selection.
- Insert 2nd bottle with the bottom facing the glass door.
- Insert 3rd bottle similar as 1st bottle.
- Follow the same process by alternating the bottle positions.

Note: Storing magnum type bottles reduces total bottle capacity.

4. Defrost:

Automatic defrost.

5. For all cleaning:

Mix 2 tablespoons baking soda with 1 quart warm water or use a mild soap. Do not use strong cleaners, scouring powder or pads. For persistent odors, contact Sears service Center for odor removal products. Do not put the evaporating tray in the dishwasher.

6. Cleaning the evaporating tray:

Since the dust accumulated on the evaporating tray will decrease the evaporation efficiency, remove the tray to clean. The evaporating tray is mounted on the back of the wine cellar. This tray can be removed by pulling it out from the back of the unit.

Energy Saving tips

- Close the door as soon as you can after opening it. Make sure that the door is fully shut after each use so that cold air does not escape from the wine cellar cavity.
- Adjust the Cold Control. Try a warmer setting. Your wine cellar may be colder than necessary.
- Reduce the number and length of time you open the door. Your cooling system will not have to run as often by using the adjustable leg located under the unit.
- Keep your wine cellar level, so that the door seals tightly. When the door is closed, the door gaskets should touch the wine cellar all the way around.
- Keep the wine cellar away from stoves or other heat sources. A cool and dry place allows your wine cellar to operate more efficiently.

Before calling for service

- Check the plug and fuse.
- Test the outlet with a lamp.
- Be sure the control is not set to OFF.
- Read the manual, especially the items under Use and Care Information. You may find the answer to your questions.
- If you do not find the answer to your questions in this manual, find the unit model number (on the upper back of the wine cellar) and contact your Sears Service Center.

When requesting or ordering parts, always provide the following information:

- Product name.
- Model number.
- Part name.
- Part number.

Parts List

SR3500SB

Model: 564.13355100

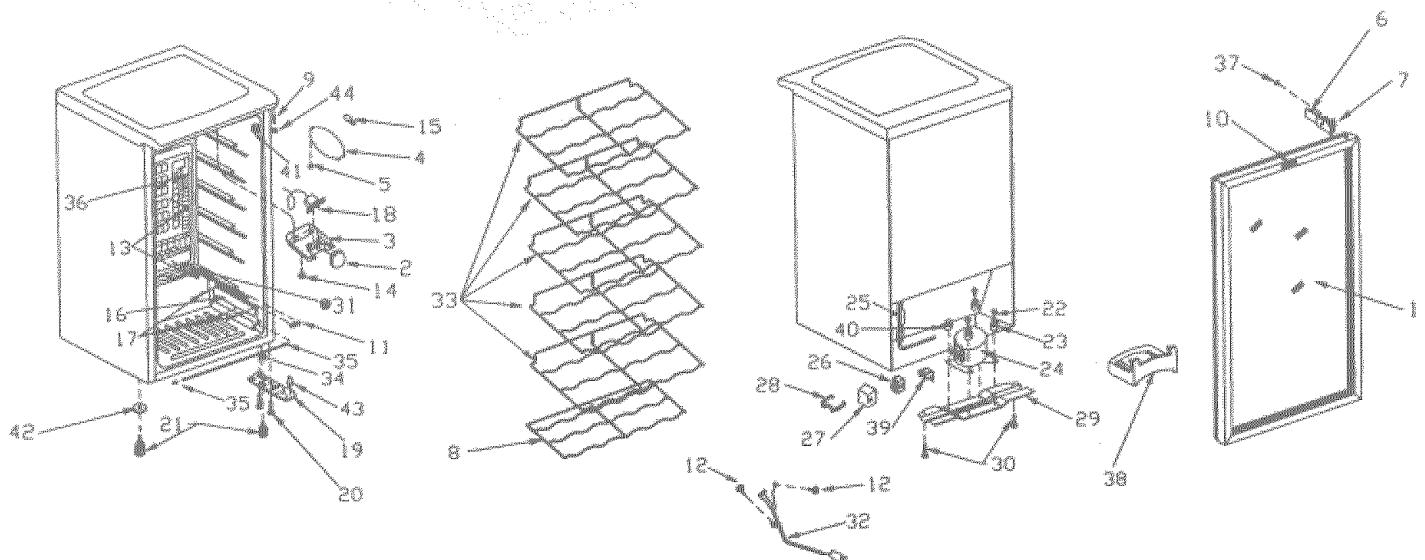
Use Sears part number on all orders, not the illustration number.
(Please refer to the illustration on the next page.)

Illus. No.	Part No.	Description	Illus. No.	Part No.	Description
1	302906	Door Assy.	23	302427	Grommet, Compressor Mtg.
2	302907	Knob, Thermo	24	302261	Compressor, CQN43L2A
3	302908	Panel, Thermo	25	302304	Drier
4	302791	Lamp Cover	26	302306	PTC Thermister
5	302317	#10159 Screw	27	302573	Relay Cover
6	302909	Push Bar, Tip	28	302696	Clip Relay Cover
7	302910	Push Bar, Base	29	302365	Cabinet Base Plate
8	302937	Wire Rack Bottom	30	302009	Bolt
9	302912	Shaft Hinge, Top	31	302924	Suction Seal Bushing, Black
10	302362	Mascot	32	302548	Power Cord, SPT-3
11	302913	Thermo Bulb Clamp, Black	33	302918	Wire Rack
12	301991	#10026 Screw	34	302919	Shelf Guard Bottom
13	302808	#10217 Screw	35	302802	Door Shelf Bushing
14	302772	Screw, Zinc	36	302920	Evaporator Assy.
15	301021	Indicator Lamp, 115 volts	37	301805	#10037 Screw
16	302921	Glass Holder, Black	38	302458	Drain Tray
17	302922	Bushing	39	301976	Overload Relay
18	302914	Thermostat	40	302289	Grommet, Comp. Mtg., No Hole
19	302915	Bottom Hinge	41	302807	Door Switch, Black
20	301868	Bolt	42	302509	Steel Washer
21	302923	Leg M8	43	302903	Shaft, Hinge Bottom
22	300413	Bolt, Compressor Mtg.	44	302813	Nylon Washer, Black

PARTS NOT ILLUSTRATED

- 302916 Owner's Manual + Parts List
- 302917 Technical Sheet
- 302900 Wiring Diagram

7/8/03



Get fixed, at your home or ours!

Your Home

For repair-in your home-of all major brand appliances, lawn and garden equipment, or heating and cooling system, **no matter who made it, no matter who sold it!**

For the replacement parts, accessories and owner's manuals that you need to do-it-yourself.

For Sears professional installation of home appliances and items like garage door openers and water heaters.

1-800-4-MY-HOME® (1-800-469-4663)

Call anytime, day or night (U.S.A. and Canada)

www.sears.com www.sears.ca

Our Home

For repair of carry-in items like vacuums, lawn equipment, and electronics, call or go on-line for the location of your nearest **Sears Parts & Repair Center.**

1-800-488-1222

Call anytime, day or night (U.S.A. only)

www.sears.com

To purchase a protection agreement on a product serviced by Sears:

1-800-827-6655 (U.S.A.)

1-800-361-6665 (Canada)

Para pedir servicio de reparación a domicilio, y para ordenar piezas:

1-888-SU-HOGAR™

(1-888-784-6427)

Au Canada pour service en français:

1-888-LE-FOYER™

www.sears.ca

SEARS

® Registered Trademark/™ Trademark/™ Service Mark of Sears, Roebuck and Co.

® Marca Registrada/™ Marca de Fábrica/™ Marca de Servicio de Sears, Roebuck and Co.

™ Marque commerce/™ Marque déposée de Sears, Roebuck and Co.