



Wine Cellar

Model 13245

24 Bottles Capacity

Read This Manual!

It will tell you how to operate and care for your wine cellar. It also offers tips on how to get the best and lowest cost performance.

If you prefer installing your own parts, use the parts list to find the part number. Do not use the illustration number. In the space below record the model and serial number of your wine cellar. Each is printed on the model number plate located in the upper corner of the wine cellar back. Use these numbers when calling for service.

Model No. _____ Serial No. _____

Full One Year Warranty on Wine Cellar

For one year from the date of purchase, when this wine cellar is operated and maintained in accordance with the owner's manual that comes with it, Sears will repair it, free of charge, if defective in material or workmanship.

Full Five Year Warranty on Sealed Refrigeration System

For five years from the date of purchase, when this wine cellar is operated and maintained in accordance with the owner's manual that comes with it, Sears will repair the sealed system (consisting of refrigerant, connecting tubing and compressor motor), free of charge, if defective in material or workmanship.

The above warranty coverage applies only to the wine cellar which is used for the storage of wine for private household purposes.

Warranty service is available by contacting the nearest Sears Service Center throughout the United States.

This warranty applies only while this product is in use in the United States. This warranty gives you specific rights and you may also have other rights which vary from state to state.

SEARS, ROEBUCK & CO.

D/817WA, HOFFMAN ESTATES, IL 60179

Installation

Remove all packing material and tape from the unit. Inspect the unit thoroughly, notify Sears immediately if the unit has any damaged or missing parts.

Install the unit on a strong level floor or counter. Avoid any direct sunlight, other heat source or moisture.

Let air circulate freely around the wine cellar. Keep the back of the unit at least 4 inches away from the wall. Provide at least 1 inch of space between the top of the unit and any surface above it.



CAUTION: If you turn off the cold control, allow at least three minutes before restarting to avoid blowing fuses or tripping your circuit breaker.

Electrical

120 Volts, 60 Hz (60 cycles AC), 15 amps.

Electrical Grounding

Your wine cellar comes with a three-prong plug and must be inserted into a three-prong, grounded wall outlet. Do not use an extension cord.



WARNING: Unless the above grounding methods are followed, you are not protected against severe or lethal shock in the event of a short circuit in refrigerator wiring or electrical components.

Things to Remember

1. When resetting your wine cellar to a new temperature, allow 24 hours for it to reach the new setting.
2. The motor will start and stop often. It must do so in order to maintain the temperature you selected.
3. Keep your wine cellar level.
4. Unplug the wine cellar before doing anything with the electrical system.

Sears, Roebuck and Co., Hoffman Estates, IL 60179

Use and Care Information

Tips on everyday care and use

1. To control the temperature:
First, set the cold control on "NORMAL". Wait hours for the entire cabinet to cool. Then adjust the control if necessary. Setting the cold control to MIN, is the warmest setting; maximum is the coldest. Storage area temperature will vary depending on the quantity of wines stored and on the frequency with which the door is opened.
2. Defrost:
Automatic defrost.
3. For all cleaning:
Mix 2 tablespoons baking soda with 1 quart warm water or use a mild soap. Do not use strong cleaners, scouring powder or pads. For persistent odors, contact Sears service Center for odor removal products. Do not put the evaporating tray in the dishwasher.
4. Cleaning the evaporating tray:
Since the dust accumulated on the evaporating tray will decrease the evaporation efficiency, remove the tray to clean.
The evaporating tray is set on the back of the wine cellar which can be removed by pulling it out from the back of the unit.

Energy Saving tips

1. Close the door as soon as you can after opening it. Make sure that the door is fully shut after each use so that cold air does not escape from the wine cellar cavity.
2. Adjust the Cold Control. Try a warmer setting. Your wine cellar may be colder than necessary.
3. Reduce the number and length of time you open the door. Your cooling system will not have to run as often.
4. Keep your wine cellar level, so that the door seals tightly. When the door is closed, the door gasket should touch the wine cellar all the way around.
5. If the floor is not level, make the wine cellar level by using the adjustable legs located under the unit.
6. Keep the wine cellar away from stoves or other heat sources. A cool and dry place allows your wine cellar to operate more efficiently.

Before calling for service

- Check the plug and fuse.
- Test the outlet with a lamp.
- Be sure the control is not set to OFF.
- Read the manual, especially the items under Use and Care Information. You may find the answer to your questions.
- If you do not find the answers to your questions in this manual, find the unit model number (on the upper back of the wine cellar) and contact your Sears Service Center.

When requesting or ordering parts, always provide the following information:

- Product name.
- Model number.
- Part name.
- Part number.

Parts List

Model: 564.13245100

Use Sears part number on all orders, not the illustration number.

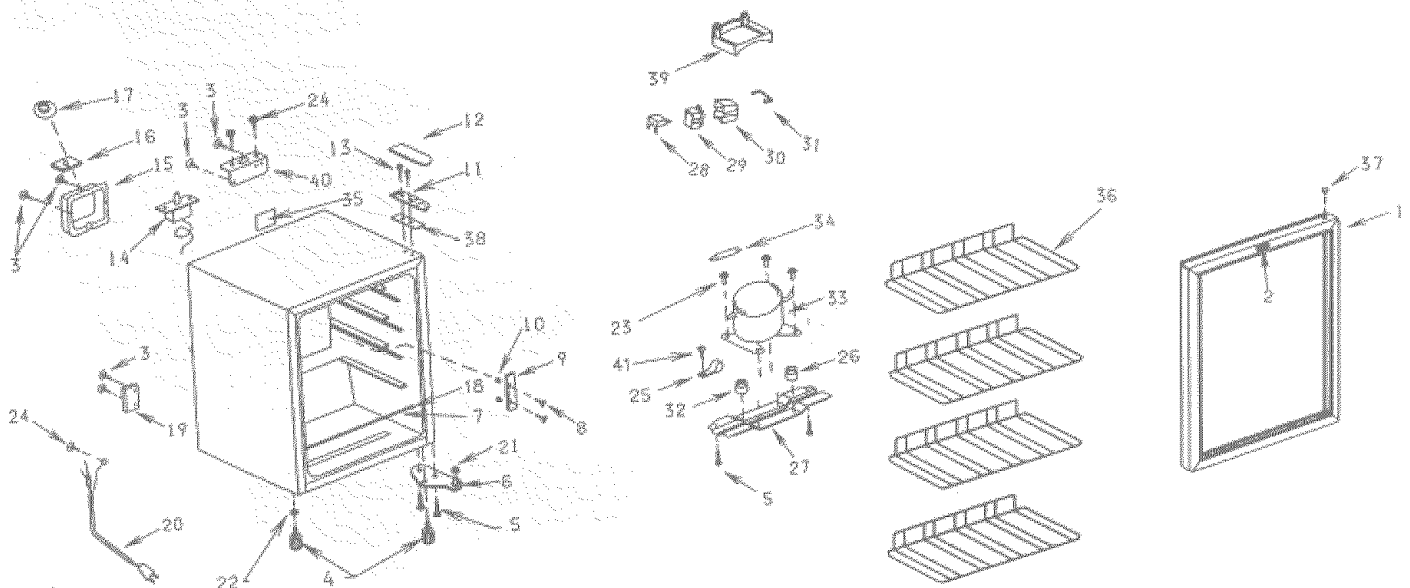
(Please refer to the illustration on the next page.)

ILLUS. No.	PART No.	DESCRIPTION	ILLUS. No.	PART No.	DESCRIPTION
1	302939	Glass Door Assy.	22	302509	Steel Washer
2	302362	Mascot, Kenmore	23	300413	Bolt #10194
3	300308	Screw #023	24	301991	Screw #026
4	302291	Leg	25	302814	Nylon Clamp
5	301868	Bolt #027	26	302289	Grommet Mtg. Comp. #10196
6	302756	Bottom Hinge	27	302365	Base Plate
7	302704	Shelf Guard Bottom	28	302265	Overload Relay 189P
8	300493	Screw #036	29	302306	PTC Thermister, PTH7M4R7MCI
9	302940	Thermo Bulb Clamp	30	302573	Relay Cover
10	301700	Packing Rubber	31	302696	Clip, Relay Cover
11	302290	Top Hinge Assy.	32	302289	Grommet Mtg. Comp. #10195
12	302361	Hinge Top Cover	33	302754	Compressor CQN-30L2E
13	302009	Bolt #119	34	302304	Drier
14	302897	Thermostat RTB-3U145	35	302863	Wiring Diagram W/O Light
15	301704	Thermo. Cover	36	302570	Shelf
16	301705	Thermo. Dial Plate	37	302684	Bushing, Black
17	301706	Thermo. Knob	38	302711	Shim, Hinge Top
18	302802	Door Shelf Bushing	39	302458	Drain Tray, Black
19	301817	Cord Clamp	40	302315	Thermo. Bracket
20	301744	Power Cord, SPT-3	41	300546	Screw #019
21	302813	Nylon Washer, Black			

PARTS NOT ILLUSTRATED

- 302938 Owner's Manual + Parts List
- 302942 Technical Sheet

5/12/03



Get fixed, at your home or ours!

Your Home

For repair-in your home-of all major brand appliances, lawn and garden equipment, or heating and cooling system, **no matter who made it, no matter who sold it!**

For the replacement parts, accessories and owner's manuals that you need to do-it-yourself.

For Sears professional installation of home appliances and items like garage door openers and water heaters.

1-800-4-MY-HOME® (1-800-469-4663)

Call anytime, day or night (U.S.A. and Canada)

www.sears.com www.sears.ca

Our Home

For repair of carry-in items like vacuums, lawn equipment, and electronics, call or go on-line for the location of your nearest **Sears Parts & Repair Center.**

1-800-488-1222

Call anytime, day or night (U.S.A. only)

www.sears.com

To purchase a protection agreement on a product serviced by Sears:

1-800-827-6655 (U.S.A.)

1-800-361-6665 (Canada)

Para pedir servicio de reparación a domicilio, y para ordenar piezas:

1-888-SU-HOGAR

(1-888-784-6427)

Au Canada pour service en français:

1-888-LE-FOYERSM

www.sears.ca

SEARS

® Registered Trademark/™ Trademark/SM Service Mark of Sears, Roebuck and Co.

® Marca Registrada/™ Marca de Fábrica/SM Marca de Servicio de Sears, Roebuck and Co.

MC Marque commerciale/MC Marque déposée de Sears, Roebuck and Co.