



---

## GAS SEALED BURNER COOKTOP

### Use & Care Guide

For questions about features, operation/performance, parts, accessories or service, call: **1-800-253-1301** or visit our website at [www.whirlpool.com](http://www.whirlpool.com)

In Canada, call **1-800-807-6777** or visit our website at [www.whirlpoolappliances.ca](http://www.whirlpoolappliances.ca)

---

## TABLE DE CUISSON À BRÛLEURS À GAZ SCELLÉS

### Guide d'utilisation et d'entretien

Au Canada, pour assistance, installation ou service, composer le **1-800-807-6777** ou visiter notre site Web au [www.whirlpoolappliances.ca](http://www.whirlpoolappliances.ca)

---

Table of Contents/Table des matières ..... 2

---

**Models/Modèles**  
**GLT3057, GLT3657, SCS3017, SCS3617**

## TABLE OF CONTENTS

COOKTOP SAFETY .....	2
PARTS AND FEATURES.....	4
COOKTOP USE .....	6
Cooktop Controls.....	6
Sealed Surface Burners .....	6
Surface Grates with Locator Pin.....	7
Home Canning .....	7
Cookware .....	8
COOKTOP CARE.....	8
General Cleaning.....	8
TROUBLESHOOTING .....	9
ASSISTANCE OR SERVICE.....	10
In the U.S.A. ....	10
In Canada .....	10
WARRANTY .....	11

## TABLE DES MATIÈRES

SÉCURITÉ DE LA TABLE DE CUISSON .....	12
PIÈCES ET CARACTÉRISTIQUES .....	13
UTILISATION DE LA TABLE DE CUISSON.....	15
Commandes de la table de cuisson .....	15
Brûleurs de surface scellés .....	16
Grilles de surface avec tige de positionnement.....	17
Préparation de conserves à la maison.....	17
Ustensiles de cuisson .....	17
ENTRETIEN DE LA TABLE DE CUISSON .....	18
Nettoyage général .....	18
DÉPANNAGE.....	19
ASSISTANCE OU SERVICE.....	19
GARANTIE.....	20

## COOKTOP SAFETY

### Your safety and the safety of others are very important.

We have provided many important safety messages in this manual and on your appliance. Always read and obey all safety messages.



This is the safety alert symbol.

This symbol alerts you to potential hazards that can kill or hurt you and others.

All safety messages will follow the safety alert symbol and either the word "DANGER" or "WARNING."

These words mean:

**⚠ DANGER**

You can be killed or seriously injured if you don't immediately follow instructions.

**⚠ WARNING**

You can be killed or seriously injured if you don't follow instructions.

All safety messages will tell you what the potential hazard is, tell you how to reduce the chance of injury, and tell you what can happen if the instructions are not followed.

**WARNING: If the information in this manual is not followed exactly, a fire or explosion may result causing property damage, personal injury or death.**

- Do not store or use gasoline or other flammable vapors and liquids in the vicinity of this or any other appliance.
- **WHAT TO DO IF YOU SMELL GAS:**
  - Do not try to light any appliance.
  - Do not touch any electrical switch.
  - Do not use any phone in your building.
  - Immediately call your gas supplier from a neighbor's phone. Follow the gas supplier's instructions.
  - If you cannot reach your gas supplier, call the fire department.
- Installation and service must be performed by a qualified installer, service agency or the gas supplier.

## IMPORTANT SAFETY INSTRUCTIONS

**WARNING:** To reduce the risk of fire, electrical shock, injury to persons, or damage when using the cooktop, follow basic precautions, including the following:

- **CAUTION:** Do not store items of interest to children in cabinets above the cooktop – children climbing on the cooktop to reach items could be seriously injured.
- Proper Installation – The cooktop, when installed, must be electrically grounded in accordance with local codes or, in the absence of local codes, with the *National Electrical Code, ANSI/NFPA70 or the Canadian Electrical Code, Part 1*. Be sure the cooktop is properly installed and grounded by a qualified technician.
- This cooktop is equipped with a three-prong grounding plug for your protection against shock hazard and should be plugged directly into a properly grounded receptacle. Do not cut or remove the grounding prong from this plug.
- Disconnect the electrical supply before servicing the cooktop.
- Never Use the Cooktop for Warming or Heating the Room.
- Injuries may result from the misuse of the cooktop such as stepping, leaning, or sitting on the top surface.
- Maintenance – Keep cooktop area clear and free from combustible materials, gasoline, and other flammable vapors and liquids.
- Storage on the cooktop – Flammable materials should not be stored on or near surface units.
- Top burner flame size should be adjusted so it does not extend beyond the edge of the cooking utensil.

## SAVE THESE INSTRUCTIONS

The California Safe Drinking Water and Toxic Enforcement Act requires the Governor of California to publish a list of substances known to the State of California to cause cancer, birth defects, or other reproductive harm, and requires businesses to warn of potential exposure to such substances.

**WARNING:** This product contains a chemical known to the State of California to cause cancer, birth defects, or other reproductive harm.

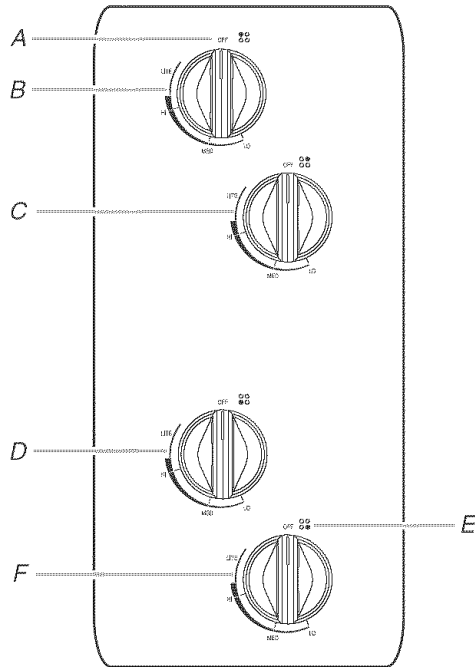
This appliance can cause low-level exposure to some of the substances listed, including benzene, formaldehyde, carbon monoxide, toluene, and soot.

# PARTS AND FEATURES

This manual covers several different models, and not all models are shown. The cooktop you have purchased may have some or all of the items listed. The locations and appearances of the features shown here may not match those of your model. All BTU ratings shown are for Natural gas unless otherwise noted.

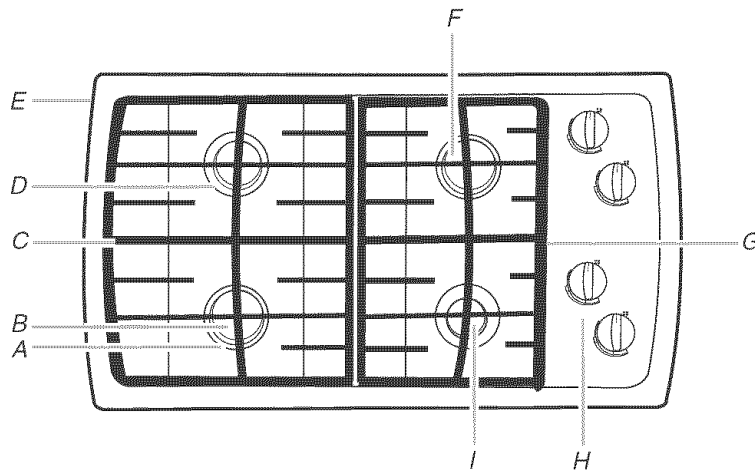
**Model SCS3617 (36" [91.4 cm] shown)**  
**Model SCS3017 (30" [76.2 cm] not shown)**

## Control Panel



- A. Control knob off position
- B. Left rear burner control knob
- C. Right rear burner control knob
- D. Left front burner control knob
- E. Surface burner locator
- F. Right front burner control knob

## Cooktop



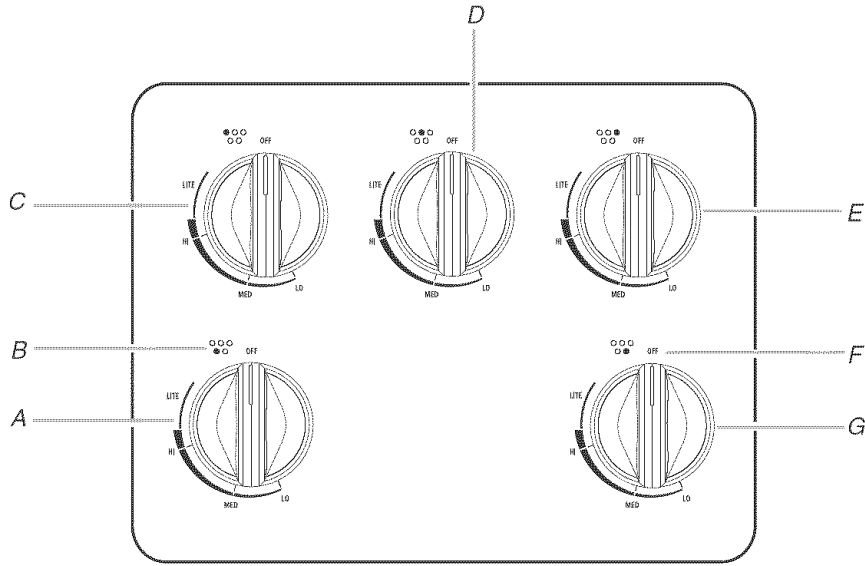
- A. 12,500 BTU burner
- B. Surface burner cap
- C. Left surface burner grate

- D. 9,100 BTU burner
- E. Model and serial number plate (under cooktop)
- F. 12,500 BTU burner

- G. Right surface burner grate
- H. Control panel
- I. 5,000 BTU burner

**Model GLT3657 (36" [91.4 cm] shown)  
Model GLT3057 (30" [76.2 cm] not shown)**

**Control Panel**

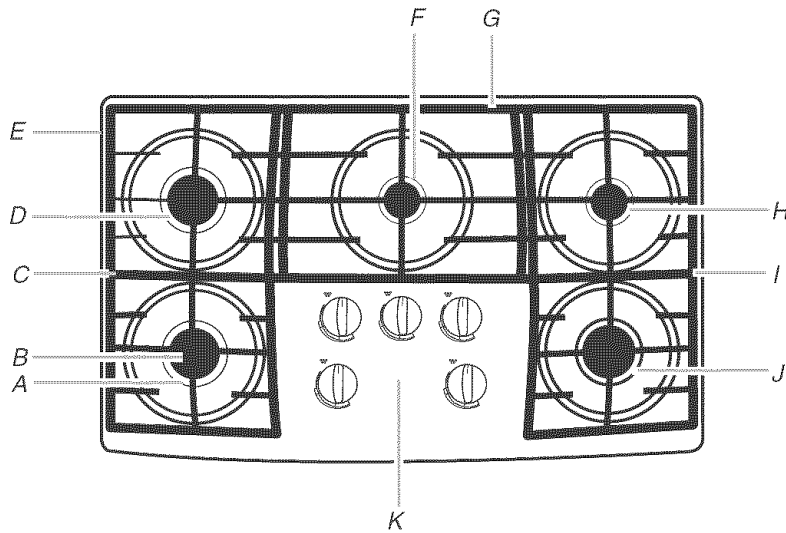


A. Left front burner control knob  
B. Surface burner locator

C. Left rear burner control knob  
D. Center rear burner control knob  
(on 36" [91.4 cm] models only)

E. Right rear burner control knob  
F. Control knob off position  
G. Right front burner control knob

**Cooktop**



A. 12,500 BTU burner  
B. Surface burner cap  
C. Left surface burner grate  
D. 6,000 BTU burner on 36" (91.4 cm) model  
9,100 BTU burner on 30" (76.2 cm) model

E. Model and serial number plate  
(under cooktop)  
F. 9,100 BTU burner on 36" (91.4 cm)  
models only  
G. Center grate

H. 6,000 BTU burner  
I. Right surface burner grate  
J. 12,500 BTU burner  
K. Control panel

# COOKTOP USE

## Cooktop Controls

### **! WARNING**



#### Fire Hazard

**Do not let the burner flame extend beyond the edge of the pan.**

**Turn off all controls when not cooking.**

**Failure to follow these instructions can result in death or fire.**

**IMPORTANT:** Your cooktop is factory-set for use with Natural gas. If you wish to use LP gas, an LP Gas Conversion Kit is included with your new cooktop. See the instructions included with the LP Gas Conversion Kit for details on making this conversion.

Electric igniters automatically light the surface burners when control knobs are turned to LITE.

The large burners (12,000 BTU [British Thermal Units]) provide the highest heat setting, and are ideal for cooking large quantities of food or liquid, using large pots and pans. The small burners (9,100 BTU and 6,000 BTU) allow more accurate simmer control at the lowest setting, and are ideal for cooking smaller quantities of food, using smaller pots and pans.

Before setting a control knob, place filled cookware on the grate. Do not operate a burner while using empty cookware or without any cookware on the grate.

**NOTE:** Visually check that the burner has lit. If the burner does not ignite, listen for a clicking sound. If you do not hear the igniter click, turn the burner off. Check for a tripped circuit breaker or blown household fuse.

Check that the control knob is pressed completely down on the valve shaft. If the spark igniter still does not operate, call a trained repair specialist.

Proper grounding and polarity are necessary for correct operation of the electric ignition system. If the wall receptacle does not provide correct polarity, the igniter will become grounded and occasionally click, even after the burner has ignited. Contact a trained repair specialist to check the wall receptacle to see whether it is wired with the correct polarity.

#### To Set:

1. Push in and turn knob counterclockwise to LITE.

All surface burners will click. Only the burner with the control knob turned to LITE will produce a flame.

2. Turn knob anywhere between HI and LO. Use the following chart as a guide when setting heat levels.

SETTING	RECOMMENDED USE
Lite	<ul style="list-style-type: none"> <li>■ Light the burner.</li> </ul>
Hi	<ul style="list-style-type: none"> <li>■ Start food cooking.</li> <li>■ Bring liquid to a boil.</li> </ul>
Medium High Between Med & Hi	<ul style="list-style-type: none"> <li>■ Hold a rapid boil.</li> <li>■ Quickly brown or sear food.</li> </ul>
Med Medium	<ul style="list-style-type: none"> <li>■ Fry or sauté foods.</li> <li>■ Hold a slow boil.</li> </ul>
Medium Low Between Med & Lo	<ul style="list-style-type: none"> <li>■ Cook soups, sauces and gravies.</li> <li>■ Stew or steam foods.</li> </ul>
Lo	<ul style="list-style-type: none"> <li>■ Keep food warm.</li> <li>■ Simmer.</li> </ul>

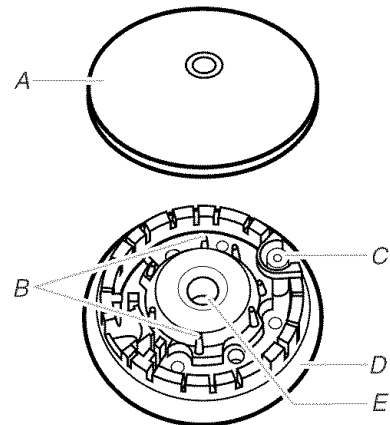
**REMEMBER:** When cooktop is in use, the entire cooktop area may become hot.

## Sealed Surface Burners

**IMPORTANT:** Do not obstruct the flow of combustion and ventilation air around the burner grate edges.

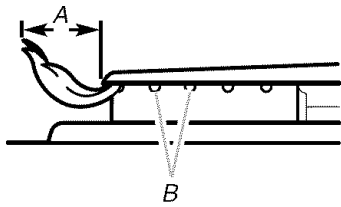
Before cleaning, make sure all controls are off and the cooktop is cool. Do not use oven cleaners, bleach or rust removers.

**Burner cap:** Always keep the burner cap in place when using a surface burner. A clean burner cap will help prevent poor ignition and uneven flames. Always clean the burner cap after a spillover and routinely remove and clean the caps according to the "General Cleaning" section.



- A. Burner cap
- B. Alignment pins
- C. Igniter
- D. Burner base
- E. Gas tube opening

**Gas tube opening:** Gas must flow freely throughout the gas tube opening for the burner to light properly. Keep this area free of soil and do not allow spills, food, cleaning agents or any other material to enter the gas tube opening. Protect it from spillovers by always using a burner cap.

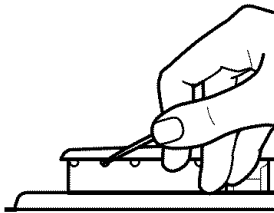


A. 1-1/2" (25-38 mm)  
B. Burner ports

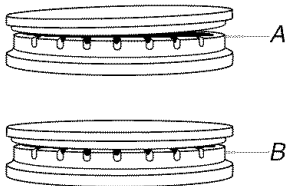
**Burner ports:** Check burner flames occasionally for proper size and shape as shown above. A good flame is blue in color, not yellow. Keep this area free of soil and do not allow spills, food, cleaning agents or any other material to enter the burner ports.

**To Clean:**

1. Remove the burner cap from the burner base and clean according to "General Cleaning" section.
2. Clean the gas tube opening with a damp cloth.
3. Clean clogged burner ports with a straight pin as shown. Do not enlarge or distort the port. Do not use a wooden toothpick. If the burner needs to be adjusted, contact a trained repair specialist.



4. Replace the burner cap, making sure the alignment pins on the cap are properly aligned with the burner base.



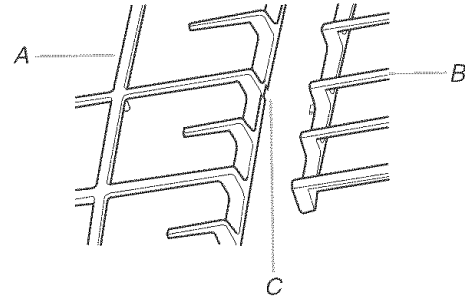
A. Incorrect  
B. Correct

5. Turn on the burner. If the burner does not light, check cap alignment. If the burner still does not light, do not service the sealed burner yourself. Contact a trained repair specialist.

## Surface Grates with Locator Pin

### Surface Grates

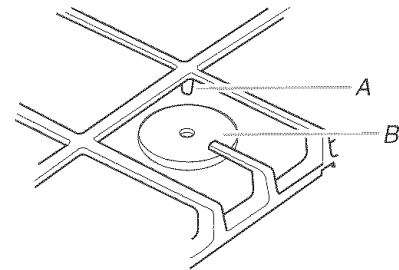
The grates located on the left and right side of the cooktop contain grooves. These grooves must always face inward toward the control knob panel to hold the grates in place. On some models, the middle grate must be placed in position first, followed by the left and right grates.



A. Left grate  
B. Middle grate  
C. Groove

### Locator Pin

The locator pin on the grate must be positioned in the burner cap hole to hold the grate in place.



A. Locator pin  
B. Burner cap

## Home Canning

When canning for long periods, alternate the use of surface cooking areas, elements or surface burners between batches. This allows time for the most recently used areas to cool.

- Center the canner on the grate or largest surface cooking area or element. On electric cooktops, canners should not extend more than 1/2" (1.3 cm) beyond the surface cooking area or element.
- Do not place canner on 2 surface cooking areas, elements or surface burners at the same time.
- For more information, contact your local agricultural department. Companies that manufacture home canning products can also offer assistance.

---

## Cookware

**IMPORTANT:** Do not leave empty cookware on a hot surface cooking area, element or surface burner.

Ideal cookware should have a flat bottom, straight sides, and a well-fitting lid and the material should be of medium-to-heavy thickness.

Rough finishes may scratch the cooktop. Aluminum and copper may be used as a core or base in cookware. However, when used as a base they can leave permanent marks on the cooktop or grates.

Cookware material is a factor in how quickly and evenly heat is transferred, which affects cooking results. A nonstick finish has the same characteristics as its base material. For example, aluminum cookware with a nonstick finish will take on the properties of aluminum.

Use the following chart as a guide for cookware material characteristics.

---

COOKWARE	CHARACTERISTICS
<b>Aluminum</b>	<ul style="list-style-type: none"><li>■ Heats quickly and evenly.</li><li>■ Suitable for all types of cooking.</li><li>■ Medium or heavy thickness is best for most cooking tasks.</li></ul>
<b>Cast iron</b>	<ul style="list-style-type: none"><li>■ Heats slowly and evenly.</li><li>■ Good for browning and frying.</li><li>■ Maintains heat for slow cooking.</li></ul>
<b>Ceramic or Ceramic glass</b>	<ul style="list-style-type: none"><li>■ Follow manufacturer's instructions.</li><li>■ Heats slowly, but unevenly.</li><li>■ Ideal results on low to medium heat settings.</li></ul>
<b>Copper</b>	<ul style="list-style-type: none"><li>■ Heats very quickly and evenly.</li></ul>
<b>Earthenware</b>	<ul style="list-style-type: none"><li>■ Follow manufacturer's instructions.</li><li>■ Use on low heat settings.</li></ul>
<b>Porcelain enamel-on-steel or cast iron</b>	<ul style="list-style-type: none"><li>■ See stainless steel or cast iron.</li></ul>
<b>Stainless steel</b>	<ul style="list-style-type: none"><li>■ Heats quickly, but unevenly.</li><li>■ A core or base of aluminum or copper on stainless steel provides even heating.</li></ul>

---

---

## COOKTOP CARE

---

### General Cleaning

**IMPORTANT:** Before cleaning, make sure all controls are off and the cooktop is cool. Always follow label instructions on cleaning products.

Soap, water and a soft cloth or sponge are suggested first unless otherwise noted.

---

### EXTERIOR PORCELAIN ENAMEL SURFACES (on some models)

---

Food spills containing acids, such as vinegar and tomato, should be cleaned as soon as the entire appliance is cool. These spills may affect the finish.

#### Cleaning Method:

- Glass cleaner, mild liquid cleaner or nonabrasive scrubbing pad: Gently clean around the model and serial number plate because scrubbing may remove numbers.
- All Purpose Appliance Cleaner Part Number 31662 (not included):  
See "Assistance or Service" section to order.

---

### STAINLESS STEEL

---

Do not use soap-filled scouring pads, abrasive cleaners, Cooktop Cleaner, steel-wool pads, gritty washcloths or some paper towels. Damage may occur.

Rub in direction of grain to avoid damaging.

#### Cleaning Method:

- Stainless Steel Cleaner & Polish Part Number 31464 (not included):  
See "Assistance or Service" section to order.
- Liquid detergent or all-purpose cleaner:  
Rinse with clean water and dry with soft, lint-free cloth.
- Vinegar for hard water spots

---

### COOKTOP CONTROLS

---

Do not use steel wool, abrasive cleansers or oven cleaner.

Do not soak knobs.

When replacing knobs, make sure knobs are in the Off position.

On some models, do not remove seals under knobs.

#### Cleaning Method:

- Soap and water or dishwasher:  
Pull knobs straight away from control panel to remove.



---

## CONTROL PANEL

---

Do not use abrasive cleaners, steel-wool pads, gritty washcloths or some paper towels. Damage may occur.

### Cleaning Method:

- Glass cleaner and soft cloth or sponge:  
Apply glass cleaner to soft cloth or sponge, not directly on panel.
- All Purpose Appliance Cleaner Part Number 31662 (not included):  
See "Assistance or Service" section to order.

---

## PORCELAIN-COATED GRATES AND CAPS

---

Food spills containing acids, such as vinegar and tomato, should be cleaned as soon as the cooktop, grates and caps are cool. These spills may affect the finish.

To avoid chipping, do not bang grates and caps against each other or hard surfaces such as cast iron cookware.

Do not reassemble caps on burners while wet.

### Cleaning Method:

- Nonabrasive plastic scrubbing pad and mildly abrasive cleanser:  
Clean as soon as cooktop, grates and caps are cool.
- Dishwasher (grates only, not caps):  
Use the most aggressive cycle.
- Gas Grate & Drip Pan Cleaner Part Number 31617 (not included):  
See "Assistance or Service" section to order.

---

## SURFACE BURNERS

---

### Sealed Burner models

See "Sealed Surface Burners" section.

---

# TROUBLESHOOTING

Try the solutions suggested here first in order to avoid the cost of an unnecessary service call.

---

### Nothing will operate

---

- **Is the power supply cord unplugged?**  
Plug into a grounded 3 prong outlet.
- **Has a household fuse blown, or has a circuit breaker tripped?**  
Replace the fuse or reset the circuit breaker. If the problem continues, call an electrician.

---

### Surface burners will not operate

---

- **Is this the first time the surface burners have been used?**  
Turn on any one of the surface burner knobs to release air from the gas lines.
- **Is the control knob set correctly?**  
Push in knob before turning to a setting.
- **Are the burner ports clogged?**  
See "Sealed Surface Burners" section.

---

### Surface burner flames are uneven, yellow and/or noisy

---

- **Are the burner ports clogged?**  
See "Sealed Surface Burners" section.
- **On models with caps, are the burner caps positioned properly?**  
See "Sealed Surface Burners" section.
- **Is propane gas being used?**  
The appliance may have been converted improperly. Contact a service technician or see "Assistance or Service" section.

---

### Surface burner makes popping noises

---

- **Is the burner wet?**  
Let it dry.

---

### Excessive heat around cookware on cooktop

---

- **Is the cookware the proper size?**  
Use cookware about the same size as the surface cooking area, element or surface burner. Cookware should not extend more than ½" (1.3 cm) outside the cooking area.

---

### Cooktop cooking results not what expected

---

- **Is the proper cookware being used?**  
See "Cookware" section.
- **Is the control knob set to the proper heat level?**  
See "Cooktop Controls" section.
- **Is the appliance level?**  
Level the appliance. See the Installation Instructions.

---

# ASSISTANCE OR SERVICE

Before calling for assistance or service, please check “Troubleshooting.” It may save you the cost of a service call. If you still need help, follow the instructions below.

When calling, please know the purchase date and the complete model and serial number of your appliance. This information will help us to better respond to your request.

## If you need replacement parts

If you need to order replacement parts, we recommend that you use only FSP® replacement parts. FSP® replacement parts will fit right and work right because they are made with the same precision used to build every new WHIRLPOOL® appliance.

To locate FSP® replacement parts in your area, call us or your nearest Whirlpool designated service center.

---

### In the U.S.A.

Call the Whirlpool Customer eXperience Center toll free: **1-800-253-1301**.

#### Our consultants provide assistance with:

- Features and specifications on our full line of appliances.
- Installation information.
- Use and maintenance procedures.
- Accessory and repair parts sales.
- Specialized customer assistance (Spanish speaking, hearing impaired, limited vision, etc.).
- Referrals to local dealers, repair parts distributors, and service companies. Whirlpool designated service technicians are trained to fulfill the product warranty and provide after-warranty service, anywhere in the United States.

To locate the Whirlpool designated service company in your area, you can also look in your telephone directory Yellow Pages.

#### For further assistance

If you need further assistance, you can write to Whirlpool Corporation with any questions or concerns at:

Whirlpool Brand Home Appliances  
Customer eXperience Center  
553 Benson Road  
Benton Harbor, MI 49022-2692

Please include a daytime phone number in your correspondence.

## Accessories U.S.A.

To order accessories, call the Whirlpool Customer eXperience Center toll free at **1-800-442-9991** and follow the menu prompts. Or visit our website at [www.whirlpool.com](http://www.whirlpool.com) and click on “Buy Accessories Online.”

## Stainless Steel Cleaner & Polish

Order Part Number 31462

## Gas Grate & Drip Pan Cleaner

Order Part Number 31617

## All-Purpose Appliance Cleaner

Order Part Number 31662

---

### In Canada

Please call the Whirlpool Canada LP Customer Interaction Centre toll free: **1-800-807-6777**.

#### Our consultants provide assistance with:

- Features and specifications on our full line of appliances.
- Use and maintenance procedures.
- Accessory and repair parts sales.
- Referrals to local dealers, repair parts distributors, and service companies. Whirlpool Canada LP designated service technicians are trained to fulfill the product warranty and provide after-warranty service, anywhere in Canada.

#### For further assistance

If you need further assistance, you can write to Whirlpool Canada LP with any questions or concerns at:

Customer Interaction Centre  
Whirlpool Canada LP  
1901 Minnesota Court  
Mississauga, Ontario L5N 3A7

Please include a daytime phone number in your correspondence.

---

# WHIRLPOOL® GAS COOKTOP AND RANGE WARRANTY

---

## ONE-YEAR FULL WARRANTY

For one year from the date of purchase, when this appliance is operated and maintained according to instructions attached to or furnished with the product, Whirlpool Corporation or Whirlpool Canada LP will pay for FSP® replacement parts and repair labor costs to correct defects in materials or workmanship. Service must be provided by a Whirlpool designated service company.

---

## SECOND THROUGH FIFTH YEAR LIMITED WARRANTY ON GAS BURNERS

On gas ranges and gas cooktops, in the second through fifth years from the date of purchase, when this appliance is operated and maintained according to instructions attached to or furnished with the product, Whirlpool Corporation or Whirlpool Canada LP will pay for FSP® replacement parts for any gas burner to correct defects in materials or workmanship. Service must be provided by a Whirlpool designated service company.

---

### Whirlpool Corporation or Whirlpool Canada LP will not pay for:

1. Service calls to correct the installation of your appliance, to instruct you how to use your appliance, to replace household fuses or correct house wiring, or to replace owner-accessible light bulbs.
  2. Repairs when your appliance is used in other than normal, single-family household use.
  3. Pickup and delivery. Your appliance is designed to be repaired in the home.
  4. Damage resulting from accident, alteration, misuse, abuse, fire, flood, improper installation, acts of God or use of products not approved by Whirlpool Corporation or Whirlpool Canada LP.
  5. Repairs to parts or systems resulting from unauthorized modifications made to the appliance.
  6. Replacement parts or repair labor costs for units operated outside the United States or Canada.
  7. In Canada, travel or transportation expenses for customers who reside in remote areas.
  8. Any labor costs during the limited warranty period.
- 

## WHIRLPOOL CORPORATION OR WHIRLPOOL CANADA LP SHALL NOT BE LIABLE FOR INCIDENTAL OR CONSEQUENTIAL DAMAGES.

Some states or provinces do not allow the exclusion or limitation of incidental or consequential damages, so this exclusion or limitation may not apply to you. This warranty gives you specific legal rights and you may also have other rights which may vary from state to state or province to province.

**Outside the 50 United States and Canada, this warranty does not apply. Contact your authorized Whirlpool dealer to determine if another warranty applies.**

If you need service, first see the "Troubleshooting" section of this book. After checking "Troubleshooting," additional help can be found by checking the "Assistance or Service" section or by calling the Whirlpool Customer eXperience Center, **1-800-253-1301** (toll-free), from anywhere in the U.S.A. In Canada, contact your Whirlpool designated service company or call **1-800-807-6777**. 3/05

---

**Keep this book and your sales slip together for future reference. You must provide proof of purchase or installation date for in-warranty service.**

Write down the following information about your appliance to better help you obtain assistance or service if you ever need it. You will need to know your complete model number and serial number. You can find this information on the model and serial number label/plate, located on your appliance as shown in the "Parts and Features" section.

Dealer name \_\_\_\_\_  
Address \_\_\_\_\_  
Phone number \_\_\_\_\_  
Model number \_\_\_\_\_  
Serial number \_\_\_\_\_  
Purchase date \_\_\_\_\_

# SÉCURITÉ DE LA TABLE DE CUISSON

## Votre sécurité et celle des autres est très importante.

Nous donnons de nombreux messages de sécurité importants dans ce manuel et sur votre appareil ménager. Assurez-vous de toujours lire tous les messages de sécurité et de vous y conformer.



Voici le symbole d'alerte de sécurité.

Ce symbole d'alerte de sécurité vous signale les dangers potentiels de décès et de blessures graves à vous et à d'autres.

Tous les messages de sécurité suivront le symbole d'alerte de sécurité et le mot "DANGER" ou "AVERTISSEMENT". Ces mots signifient :

**⚠ DANGER**

Risque possible de décès ou de blessure grave si vous ne suivez pas immédiatement les instructions.

**⚠ AVERTISSEMENT**

Risque possible de décès ou de blessure grave si vous ne suivez pas les instructions.

Tous les messages de sécurité vous diront quel est le danger potentiel et vous disent comment réduire le risque de blessure et ce qui peut se produire en cas de non-respect des instructions.

**AVERTISSEMENT : Pour votre sécurité, les renseignements dans ce manuel doivent être observés pour réduire au minimum les risques d'incendie ou d'explosion ou pour éviter des dommages au produit, des blessures ou un décès.**

- Ne pas entreposer ni utiliser de l'essence ou d'autres vapeurs ou liquides inflammables à proximité de cet appareil ou de tout autre appareil électroménager.
- **QUE FAIRE DANS LE CAS D'UNE ODEUR DE GAZ :**
  - Ne pas tenter d'allumer un appareil.
  - Ne pas toucher à un commutateur électrique.
  - Ne pas utiliser le téléphone se trouvant sur les lieux.
  - Appeler immédiatement le fournisseur de gaz d'un téléphone voisin. Suivre ses instructions.
  - À défaut de joindre votre fournisseur de gaz, appeler les pompiers.
- L'installation et l'entretien doivent être effectués par un installateur qualifié, une agence de service ou le fournisseur de gaz.

# IMPORTANTES INSTRUCTIONS DE SÉCURITÉ

**AVERTISSEMENT :** Pour réduire le risque d'incendie, de choc électrique, de blessures ou de dommages lors de l'utilisation de la table de cuisson, il convient d'observer certaines précautions élémentaires dont les suivantes :

- **MISE EN GARDE** – Ne pas remiser dans des armoires au-dessus de la table de cuisson, des objets que des enfants pourraient vouloir atteindre. Les enfants pourraient se blesser gravement en grimpant sur la table de cuisson.
- Installation appropriée – La table de cuisson lorsqu'elle est correctement installée doit être reliée à la terre conformément aux codes locaux ou, en l'absence de codes locaux, selon le *Code national électrique, ANSI/NFPA70* ou le *Code canadien des installations électriques, Partie 1*. S'assurer que la table de cuisson est correctement installée et reliée à la terre par un technicien qualifié.
- La table de cuisson est munie d'une fiche de liaison à la terre à trois broches pour votre protection contre les risques de choc électrique et doit être branchée directement dans une prise de courant bien reliée à la terre. Ne pas couper ni enlever la broche de liaison à la terre de cette fiche.

- Débrancher l'alimentation électrique avant d'exécuter des réparations à la table de cuisson.
- Ne pas utiliser la table de cuisson comme source de chauffage ou de réchauffage d'une pièce.
- Des blessures peuvent survenir du mauvais usage de la table de cuisson tel que se tenir debout sur la surface, se pencher ou s'asseoir sur le dessus de la surface.
- Entretien – Garder l'espace autour de la table de cuisson dégagé et exempt de matériaux combustibles, d'essence et d'autres vapeurs et liquides inflammables.
- Remisage sur la table de cuisson – Des produits inflammables ne doivent pas être remisés sur ou près des éléments de surface.
- La taille de la flamme des brûleurs de surface devrait être ajustée de sorte qu'elle ne dépasse pas le bord d'un ustensile de cuisson.

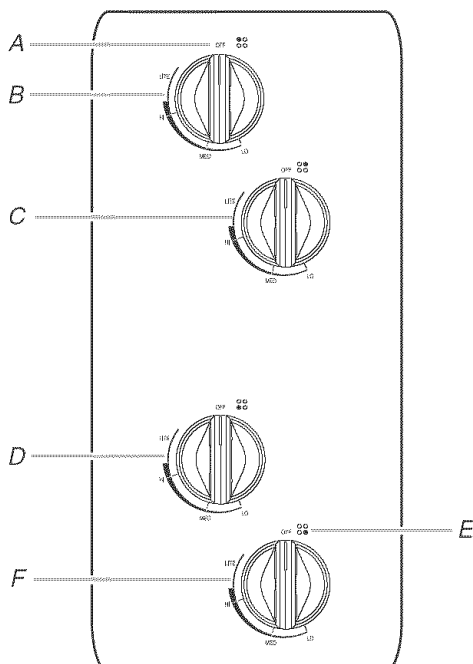
## CONSERVEZ CES INSTRUCTIONS

## PIÈCES ET CARACTÉRISTIQUES

Ce manuel couvre plusieurs modèles différents, et tous les modèles ne sont pas illustrés. La table de cuisson que vous avez achetée peut comporter tous les articles énumérés ou seulement certains d'entre eux. L'emplacement et l'apparence des caractéristiques illustrés peuvent ne pas correspondre à ceux de votre modèle. Toutes les caractéristiques BTU illustrées correspondent au gaz naturel sauf mention différente.

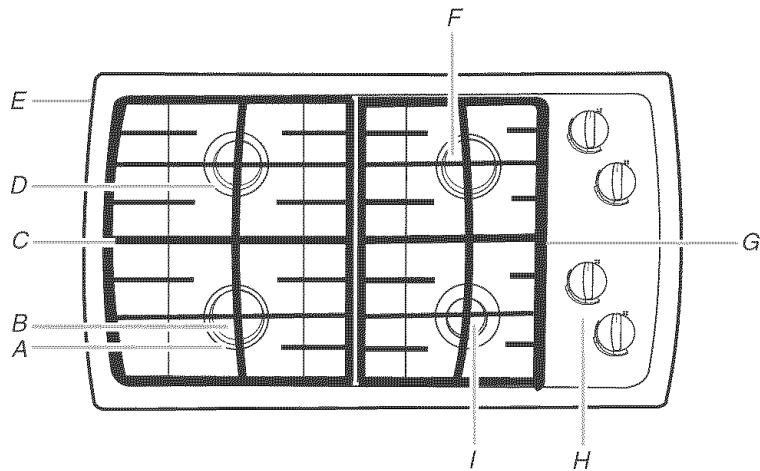
**Modèle SCS3617 (36" [91,4 cm] illustré)**  
**Modèle SCS3017 (30" [76,2 cm] non illustré)**

### Tableau de commande



- A. Bouton de commande à la position Off (arrêt)
- B. Bouton de commande du brûleur arrière gauche
- C. Bouton de commande du brûleur arrière droit
- D. Bouton de commande du brûleur avant gauche
- E. Repère de brûleur de surface
- F. Bouton de commande du brûleur avant droit

## Table de cuisson



A. Brûleur de 12 500 BTU

B. Chapeau du brûleur de surface

C. Grille de brûleur de surface gauche

D. Brûleur de 9 100 BTU

E. Plaque signalétique des numéros de modèle et de série (sous la table de cuisson)

F. Brûleur de 12 500 BTU

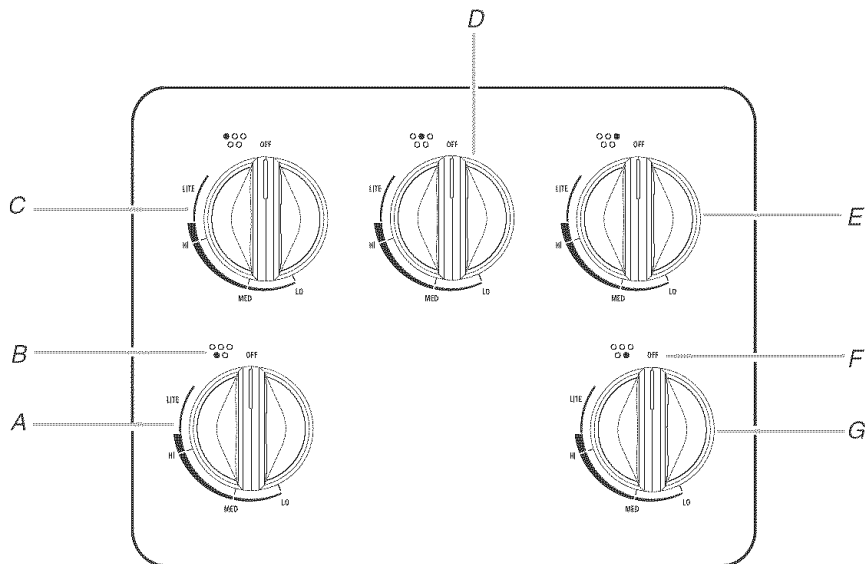
G. Grille de brûleur de surface droit

H. Tableau de commande

I. Brûleur de 5 000 BTU

**Modèle GLT3657 (36" [91,4 cm] illustré)**  
**Modèle GLT3057 (30" [76,2 cm] non illustré)**

## Tableau de commande



A. Bouton de commande du brûleur avant gauche

B. Repère de brûleur de surface

C. Bouton de commande du brûleur arrière gauche

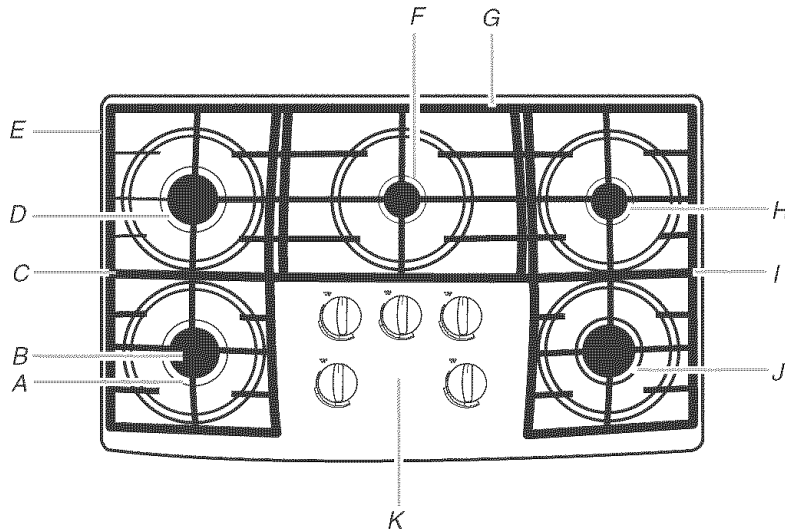
D. Bouton de commande du brûleur arrière central (sur les modèles de 36" [91,4 cm] seulement)

E. Bouton de commande du brûleur arrière droit

F. Bouton de commande à la position Off (arrêt)

G. Bouton de commande du brûleur avant droit

## Table de cuisson



A. Brûleur de 12 500 BTU

B. Chapeau du brûleur de surface

C. Grille de brûleur de surface gauche

D. Brûleur de 6 000 BTU sur le modèle de 36" (91,4 cm)  
Brûleur de 9 100 BTU sur le modèle de 30" (76,2 cm)

E. Plaque signalétique des numéros de modèle et de série (sous la table de cuisson)

F. Brûleur de 9 100 BTU sur les modèles de 36" (91,4 cm) seulement

G. Grille centrale

H. Brûleur de 6 000 BTU

I. Grille de brûleur de surface droit

J. Brûleur de 12 500 BTU

K. Tableau de commande

## UTILISATION DE LA TABLE DE CUISSON

### Commandes de la table de cuisson

#### **AVERTISSEMENT**



#### Risque d'incendie

**La flamme d'un brûleur ne devrait pas dépasser le bord du récipient de cuisson.**

**Fermer tous les réglages lorsque la cuisson est terminée.**

**Le non-respect de ces instructions peut causer un décès ou un incendie.**

**IMPORTANT :** Cette table de cuisson a été configurée à l'usine pour l'alimentation au gaz naturel. Si vous souhaitez utiliser du gaz propane, une trousse de conversion au gaz propane est fournie avec la table de cuisson. Voir les instructions incluses avec la trousse de conversion au gaz propane pour des détails sur la réalisation de cette conversion.

Des allumeurs électriques allument automatiquement les brûleurs de surface lorsque les boutons de commande sont tournés à LITE.

Les grands brûleurs (12 000 BTU [unités thermales britanniques]) fournissent le réglage de chaleur le plus élevé et sont idéals pour faire cuire de grandes quantités d'aliments ou de liquides, en utilisant de grandes marmites et casseroles. Les petits brûleurs (9 100 BTU et 6 000 BTU) permettent un contrôle plus précis du mijotage au réglage le plus bas et sont idéals pour la cuisson de plus petites quantités d'aliments, en utilisant des marmites et casseroles plus petites.

Avant de régler un bouton de commande, placer l'ustensile de cuisson rempli sur la grille. Ne pas faire fonctionner un brûleur avec un ustensile de cuisson vide ou sans ustensile de cuisson sur la grille.

**REMARQUE :** Vérifier visuellement qu'un brûleur est allumé. Si le brûleur ne s'allume pas, guetter un dé clic. Si aucun dé clic ne se fait entendre, éteindre le brûleur. Vérifier si le disjoncteur s'est déclenché ou si un fusible est grillé.

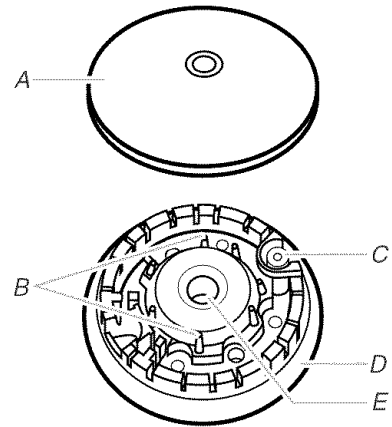
Vérifier que le bouton de commande est complètement enfoncé sur la tige de la soupape. Si l'allumeur ne fonctionne toujours pas, appeler un technicien de réparation qualifié.

La liaison à la terre et la polarité appropriées sont nécessaires pour le bon fonctionnement du système d'allumage électrique. Si la prise de courant murale ne fournit pas la polarité correcte, l'allumeur deviendra relié à la terre et pourra occasionnellement émettre un dé clic, même après l'allumage du brûleur. Faire vérifier la prise murale par un technicien de réparation qualifié pour voir si la polarité du câblage est correcte.

## Réglage :

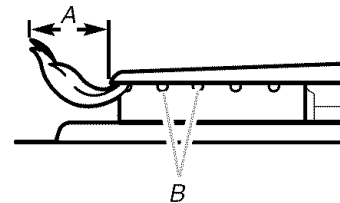
1. Pousser et tourner le bouton dans le sens antihoraire à LITE.  
Tous les brûleurs de surface émettront un déclic. Seul le brûleur dont le bouton est tourné à LITE produira une flamme.
2. Tourner le bouton n'importe où entre HI et LO. Utiliser le tableau suivant comme guide lors du réglage des niveaux de chaleur.

RÉGLAGE	UTILISATION RECOMMANDÉE
Lite (allumage)	■ Pour allumer le brûleur.
Hi (élevé)	■ Pour commencer la cuisson des aliments. ■ Pour porter un liquide à ébullition.
Medium High (moyen élevé) Entre Med et Hi	■ Pour maintenir une ébullition rapide. ■ Pour brunir ou saisir rapidement les aliments.
Med Medium (moyen)	■ Pour faire frire ou sauter les aliments. ■ Pour maintenir une ébullition lente.
Medium Low (moyen bas) Entre Med et Lo	■ Pour cuire les soupes et les sauces. ■ Pour mijoter ou étuver les aliments.
Lo (bas)	■ Pour garder les aliments au chaud. ■ Pour faire mijoter lentement.



A. Chapeau de brûleur  
B. Tiges d'alignement  
C. Allumeur  
D. Base du brûleur  
E. Ouverture du tube d'arrivée de gaz

**Ouverture du tube d'arrivée de gaz :** Pour que le brûleur s'allume convenablement, il faut que le gaz puisse passer librement à travers l'orifice. Garder cette zone propre et ne pas laisser les produits renversés, les aliments, les agents de nettoyage ou tout autre produit pénétrer dans l'ouverture du tube d'arrivée de gaz. La protéger contre les renversements en utilisant toujours un chapeau de brûleur.

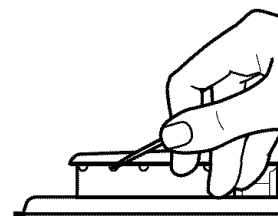


A. 1-1/2" (25-38 mm)  
B. Orifices de brûleur

**Orifices de brûleur :** Examiner occasionnellement les flammes des brûleurs pour en vérifier la taille et la forme tel qu'indiqué ci-dessus. Une bonne flamme est bleue plutôt que jaune. Garder cette zone exempte de souillures et ne pas laisser les produits renversés, les aliments, les agents de nettoyage ou autre produit pénétrer dans les orifices de brûleur.

## Nettoyage :

1. Enlever le chapeau de brûleur de la base du brûleur et nettoyer tel qu'indiqué à la section "Nettoyage général".
2. Nettoyer l'ouverture de tube d'arrivée de gaz avec un chiffon humide.
3. Nettoyer les orifices de brûleur obstrués avec une épingle droite tel qu'indiqué. Ne pas agrandir ni déformer l'orifice. Ne pas utiliser un cure-dents en bois. Si le brûleur a besoin d'être ajusté, contacter un technicien de réparation qualifié.



**N'OUBLIEZ PAS :** Quand l'appareil est utilisé, toute la surface de la table de cuisson peut devenir chaude.

## Brûleurs de surface scellés

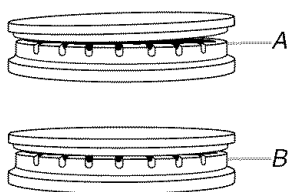
**IMPORTANT :** Ne pas entraver l'évacuation de l'air de combustion et de ventilation autour des bords des grilles de brûleur.

Avant le nettoyage, s'assurer que toutes les commandes sont désactivées et que la table de cuisson est refroidie. Ne pas utiliser de nettoyants à four, d'eau de Javel ou de décapants à rouille.

**Chapeau de brûleur :** Toujours garder le chapeau de brûleur en place lorsqu'un brûleur de surface est utilisé. Un chapeau de brûleur propre empêche le mauvais allumage et des flammes inégales. Toujours nettoyer le chapeau du brûleur après un renversement de produits et enlever et nettoyer régulièrement les chapeaux tel qu'indiqué à la section "Nettoyage général".



4. Réinstaller le chapeau du brûleur et s'assurer que les tiges d'alignement sur le chapeau sont bien alignées avec la base du brûleur.



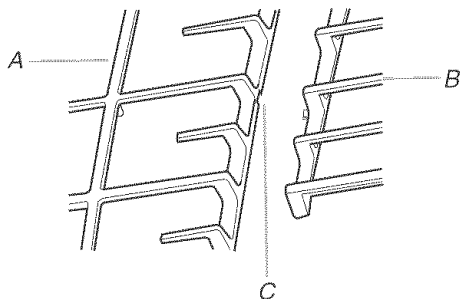
A. Incorrect  
B. Correct

5. Allumer le brûleur. Si le brûleur ne s'allume pas, vérifier l'alignement du chapeau. Si le brûleur ne s'allume toujours pas, ne pas réparer vous-même le brûleur scellé. Contacter un technicien de réparation qualifié.

## Grilles de surface avec tige de positionnement

### Grilles de surface

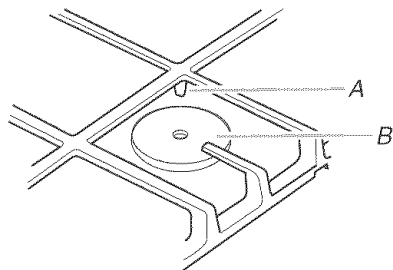
Les grilles situées sur le côté gauche et le côté droit de la table de cuisson contiennent des rainures. Ces rainures doivent toujours être orientées vers l'intérieur (panneau des boutons de commande) pour pouvoir maintenir les grilles en place. Sur certains modèles, la grille du milieu doit être placée en premier, avant les grilles gauche et droite.



A. Grille gauche  
B. Grille du milieu  
C. Rainure

### Tige de positionnement

La tige de positionnement sur la grille doit être placée dans le trou du chapeau de brûleur pour maintenir la grille en place.



A. Tige de positionnement  
B. Chapeau de brûleur

## Préparation de conserves à la maison

Lors de la préparation de conserves pendant de longues périodes, alterner l'utilisation des surfaces de cuisson, des éléments ou des brûleurs de surface entre les quantités préparées. Cette alternance permet aux dernières surfaces utilisées de refroidir.

- Centrer l'autoclave sur la grille ou la plus grande surface de cuisson ou sur le plus grand élément. Sur les tables de cuisson électriques, l'autoclave ne doit pas dépasser de plus de 1/2" (1,3 cm) hors de la zone de cuisson à la surface ou de l'élément.
- Ne pas placer l'autoclave sur deux surfaces de cuisson, deux éléments ou deux brûleurs de surface à la fois.
- Pour plus de renseignements, communiquez avec votre service local d'agriculture. Les compagnies qui fabriquent des produits pour la préparation de conserves peuvent aussi offrir de l'aide.

## Ustensiles de cuisson

**IMPORTANT :** Ne pas laisser un ustensile de cuisson vide sur la surface chaude d'une table de cuisson, d'un élément ou d'un brûleur de surface.

Les ustensiles de cuisson idéals doivent avoir un fond plat, des parois droites, un couvercle qui ferme bien et le matériau doit être d'épaisseur moyenne à forte.

Les surfaces rudes peuvent égratigner la table de cuisson. L'aluminium et le cuivre peuvent être employés comme fond ou base dans un ustensile de cuisson. Cependant, utilisés comme base, ils peuvent laisser des marques permanentes sur la table de cuisson ou les grilles.

Le matériau d'un ustensile de cuisson affecte la rapidité et l'uniformité de la transmission de la chaleur, et contribue aux résultats de cuisson. Un fini antiadhésif a les mêmes caractéristiques que son matériau de base. Par exemple, un ustensile de cuisson en aluminium avec un fini antiadhésif aura les propriétés de l'aluminium.

Utiliser le tableau suivant comme guide pour les caractéristiques du matériau de l'ustensile de cuisson.

USTENSILE	CARACTÉRISTIQUES
<b>Aluminium</b>	<ul style="list-style-type: none"> <li>■ Chauffe rapidement et uniformément.</li> <li>■ Convient à tous les genres de cuisson.</li> <li>■ L'épaisseur moyenne ou forte convient le mieux pour la plupart des tâches de cuisson.</li> </ul>
<b>Fonte</b>	<ul style="list-style-type: none"> <li>■ Chauffe lentement et uniformément.</li> <li>■ Convient pour le brunissage et la friture.</li> <li>■ Maintient la chaleur pour une cuisson lente.</li> </ul>
<b>Céramique ou vitrocéramique</b>	<ul style="list-style-type: none"> <li>■ Suivre les instructions du fabricant.</li> <li>■ Chauffe lentement mais inégalement.</li> <li>■ Les meilleurs résultats sont obtenus sur les réglages de chaleur basse à moyenne.</li> </ul>

USTENSILE	CARACTÉRISTIQUES
Cuivre	<ul style="list-style-type: none"> <li>■ Chauffe très rapidement et également.</li> </ul>
Terre cuite	<ul style="list-style-type: none"> <li>■ Suivre les instructions du fabricant.</li> <li>■ Utiliser des réglages de température basse.</li> </ul>
Acier émail-porcelaine ou fonte	<ul style="list-style-type: none"> <li>■ Voir acier inoxydable ou fonte.</li> </ul>
Acier inoxydable	<ul style="list-style-type: none"> <li>■ Chauffe rapidement, mais inégalement.</li> <li>■ Un fond ou une base d'aluminium ou de cuivre sur l'acier inoxydable procure un chauffage égal.</li> </ul>

## ENTRETIEN DE LA TABLE DE CUISSON

### Nettoyage général

**IMPORTANT :** Avant le nettoyage, s'assurer que toutes les commandes sont désactivées et que la table de cuisson est refroidie. Toujours suivre les instructions sur les étiquettes des produits de nettoyage.

Du savon, de l'eau et un chiffon doux ou une éponge sont recommandés à moins d'indication contraire.

### SURFACES EXTERNES EN ÉMAIL VITRIFIÉ (sur certains modèles)

Les renversements d'aliments contenant des produits acides, tels que vinaigre et tomates, doivent être nettoyés dès que l'appareil est froid. Ces renversements peuvent affecter le fini.

#### Méthode de nettoyage :

- Nettoyant à vitre, nettoyant doux liquide ou tampon à récurer non abrasif : Nettoyer doucement autour de la plaque signalétique des numéros de modèle et de série car le frottement pourrait en effacer les chiffres.
- Nettoyant tout-usage pour appareil ménager - Pièce n° 31662 (non inclus) :  
Voir la section "Assistance ou service" pour placer une commande.

### ACIER INOXYDABLE

Ne pas utiliser de tampons de récurage savonneux, nettoyants abrasifs, crème à polir pour table de cuisson, tampons en laine d'acier, chiffons de lavage rudes ou certains essuie-tout. Des dommages peuvent survenir.

Frotter dans la direction du grain pour éviter les dommages.

#### Méthode de nettoyage :

- Nettoyant et poli pour acier inoxydable - Pièce n° 31464 (non inclus) :  
Voir la section "Assistance ou service" pour placer une commande.

- Détergent liquide ou nettoyant tout-usage :  
Rincer à l'eau propre et sécher avec un chiffon doux sans charpie.
- Vinaigre pour les taches d'eau dure

### BOUTONS DE COMMANDE DE LA TABLE DE CUISSON

Ne pas utiliser de laine d'acier, de produits de nettoyage abrasifs ou de nettoyant pour four.

Ne pas immerger les boutons de commande.

Lors de la réinstallation des boutons, s'assurer que chaque bouton est à la position Off (arrêt).

Sur certains modèles, ne pas enlever les joints sous les boutons.

#### Méthode de nettoyage :

- Savon et eau ou lave-vaisselle :  
Tirer les boutons directement hors du tableau de commande pour les enlever.

### TABLEAU DE COMMANDE

Ne pas utiliser des nettoyants abrasifs, tampons en laine d'acier, chiffons de lavage rudes ou certains essuie-tout en papier. Des dommages peuvent survenir.

#### Méthode de nettoyage :

- Nettoyant à vitre et chiffon doux ou éponge :  
Appliquer le nettoyant à vitre sur un chiffon doux ou une éponge, et non pas directement sur le tableau.
- Nettoyant tout-usage pour appareil ménager - Pièce n° 31662 (non inclus) :  
Voir la section "Assistance ou service" pour placer une commande.

### GRILLES ET CHAPEAUX ÉMAILLÉS

Les renversements d'aliments contenant des produits acides, tels que vinaigre et tomates, doivent être nettoyés dès que la table de cuisson, les grilles et les chapeaux ont refroidi. Ces renversements peuvent affecter le fini.

Pour éviter l'écaillage, ne pas entrechoquer les grilles et les chapeaux ni les frapper contre des surfaces dures telles que les ustensiles en fonte.

Ne pas réinstaller les chapeaux sur les brûleurs quand ils sont mouillés.

#### Méthode de nettoyage :

- Tampon à récurer en plastique non abrasif et un nettoyant légèrement abrasif :  
Nettoyer dès que la table de cuisson, les grilles et les chapeaux sont refroidis.
- Lave-vaisselle (grilles seulement, pas les chapeaux) :  
Utiliser le programme le plus intensif.
- Nettoyant pour la grille et cuvette à gaz - Pièce n° 31617 (non inclus) :  
Voir la section "Assistance ou service" pour placer une commande.

### BRÛLEURS DE SURFACE

#### Modèles à brûleurs scellés

Voir la section "Brûleurs de surface scellés".

---

# DÉPANNAGE

Essayer les solutions suggérées ici d'abord afin d'éviter le coût d'une visite de service non nécessaire.

---

## Rien ne fonctionne

- **Est-ce que le cordon d'alimentation est débranché?**  
Brancher dans une prise à 3 alvéoles reliée à la terre.
- **Un fusible est-il grillé ou le disjoncteur s'est-il déclenché?**  
Remplacer le fusible ou réenclencher le disjoncteur. Si le problème persiste, appeler un électricien.

---

## Les brûleurs de surface ne fonctionnent pas

- **Est-ce la première fois que les brûleurs de surface sont utilisés?**  
Tourner n'importe lequel des boutons de brûleur de surface pour libérer l'air des canalisations de gaz.
- **Le bouton de commande est-il bien réglé?**  
Pousser sur le bouton avant de le tourner à un réglage.
- **Les orifices du brûleur sont-ils obstrués?**  
Voir la section "Brûleurs de surface scellés".

---

## Les flammes du brûleur de surface ne sont pas uniformes, sont de teinte jaune et/ou sont bruyantes

- **Les orifices du brûleur sont-ils obstrués?**  
Voir la section "Brûleurs de surface scellés".
- **Sur les modèles avec chapeau, les chapeaux de brûleur sont-ils installés correctement?**  
Voir la section "Brûleurs de surface scellés".

---

## ■ Utilise-t-on du gaz propane?

Il est possible que l'appareil n'ait pas été converti adéquatement. Contacter un technicien de service ou voir la section "Assistance ou service".

---

## Le brûleur de surface émet des bruits d'éclatement

---

## ■ Le brûleur est-il mouillé?

Le laisser sécher.

---

## Chaleur excessive autour des ustensiles de cuisson sur la table de cuisson

---

## ■ L'ustensile est-il de dimension appropriée?

Utiliser un ustensile de cuisson à peu près de la même dimension que la zone de cuisson, l'élément ou le brûleur de surface. L'ustensile de cuisson ne doit pas dépasser de plus de ½" (1,3 cm) hors de la zone de cuisson.

---

## Les résultats de cuisson ne sont pas ceux prévus

---

## ■ Un ustensile de cuisson approprié a-t-il été employé?

Voir la section "Ustensiles de cuisson".

---

## ■ Le bouton de commande est-il réglé au niveau de chaleur approprié?

Voir la section "Commandes de la table de cuisson".

---

## ■ L'appareil est-il d'aplomb?

Niveler l'appareil. Voir les instructions d'installation.

---

# ASSISTANCE OU SERVICE

Avant de faire un appel pour assistance ou service, consulter la section "Dépannage". Ce guide peut vous faire économiser le coût d'une visite de service. Si vous avez encore besoin d'aide, suivre les instructions ci-dessous.

Lors d'un appel, veuillez connaître la date d'achat, le numéro de modèle et le numéro de série au complet de l'appareil. Ces renseignements nous aideront à mieux répondre à votre demande.

## Si vous avez besoin de pièces de rechange

Si vous avez besoin de commander des pièces de rechange, nous vous recommandons d'employer uniquement des pièces de rechange FSP®. Les pièces de rechange FSP® fonctionneront bien parce qu'elles sont fabriquées avec la même précision utilisée dans la fabrication de chaque nouvel appareil WHIRLPOOL®.

Pour obtenir des pièces de rechange FSP® dans votre région, nous contacter ou appeler le Centre de service désigné de Whirlpool le plus proche.

Veuillez appeler sans frais le Centre d'interaction avec la clientèle de Whirlpool Canada LP au : **1-800-807-6777**.

## Nos consultants vous renseigneront sur les sujets suivants :

- Caractéristiques et spécifications sur toute notre gamme d'appareils électroménagers.
- Utilisation et consignes d'entretien.
- Ventes d'accessoires et pièces de rechange.
- Références aux marchands locaux, aux distributeurs de pièces de rechange et aux compagnies de service. Les techniciens de service désignés par Whirlpool Canada LP sont formés pour remplir la garantie des produits et fournir un service après la garantie, partout au Canada.

## Pour plus d'assistance

Si vous avez besoin de plus d'assistance, vous pouvez soumettre par écrit toute question ou préoccupation à Whirlpool Canada LP à l'adresse suivante :

Centre d'interaction avec la clientèle  
Whirlpool Canada LP  
1901 Minnesota Court  
Mississauga, Ontario L5N 3A7

Veuillez inclure dans votre correspondance un numéro de téléphone où on peut vous joindre dans la journée.

# GARANTIE SUR LES TABLES DE CUISSON ET CUISINIÈRES À GAZ WHIRLPOOL®

## GARANTIE COMPLÈTE DE UN AN

Pendant un an à compter de la date d'achat, lorsque cet appareil est utilisé et entretenu conformément aux instructions jointes ou fournies avec le produit, Whirlpool Canada LP paiera pour les pièces de rechange FSP® et la main-d'oeuvre de réparation pour corriger les vices de matériaux ou de fabrication. Le service doit être fourni par une compagnie de service désignée par Whirlpool.

## GARANTIE LIMITÉE DE LA DEUXIÈME À LA CINQUIÈME ANNÉE SUR LES BRÛLEURS À GAZ

Sur les cuisinières et tables de cuisson à gaz, de la deuxième à la cinquième année inclusivement à compter de la date d'achat, lorsque cet appareil est utilisé et entretenu conformément aux instructions jointes ou fournies avec le produit, Whirlpool Canada LP paiera pour les pièces de rechange FSP® pour tout brûleur à gaz pour corriger les vices de matériaux ou de fabrication. Le service doit être fourni par une compagnie de service désignée par Whirlpool.

### Whirlpool Canada LP ne paiera pas pour :

1. Les visites de service pour rectifier l'installation de votre appareil ménager, pour enseigner comment utiliser votre appareil, pour remplacer des fusibles dans la maison ou corriger la filerie de la maison ou pour remplacer des ampoules d'éclairage accessibles au propriétaire.
2. Les réparations lorsque votre appareil est utilisé à des fins autres que l'usage unifamilial normal.
3. Le ramassage et la livraison. Votre appareil ménager est conçu pour être réparé à domicile.
4. Les dommages imputables à : accident, modification, mésusage, abus, incendie, inondation, mauvaise installation, actes de Dieu, ou utilisation de produits non approuvés par Whirlpool Canada LP.
5. Réparations aux pièces ou systèmes résultant d'une modification non autorisée faite à l'appareil.
6. Le coût des pièces de rechange ou de la main-d'oeuvre de réparation pour les appareils utilisés en dehors du Canada.
7. Les frais de voyage ou de transport pour les clients qui habitent dans des régions éloignées.
8. Tous frais de la main-d'oeuvre au cours de la période de garantie limitée.

### WHIRLPOOL CANADA LP N'ASSUME AUCUNE RESPONSABILITÉ POUR LES DOMMAGES SECONDAIRES OU INDIRECTS.

Certains provinces ne permettent pas l'exclusion ou la limitation des dommages secondaires ou indirects de sorte que cette exclusion ou limitation peut ne pas être applicable dans votre cas. Cette garantie vous confère des droits juridiques spécifiques et vous pouvez également jouir d'autres droits qui peuvent varier d'une province à l'autre.

**À l'extérieur du Canada, cette garantie ne s'applique pas. Contacter votre marchand Whirlpool autorisé pour déterminer si une autre garantie s'applique.**

Si vous avez besoin de service, voir d'abord "Dépannage" dans ce manuel. Après avoir vérifié la section "Dépannage", une aide additionnelle peut être trouvée en vérifiant la section "Assistance ou service" ou en téléphonant sans frais au **1-800-807-6777**. 3/05

**Conservez ce manuel et votre reçu de vente ensemble pour référence ultérieure. Pour le service sous garantie, vous devez présenter un document prouvant la date d'achat ou d'installation.**

Inscrivez les renseignements suivants au sujet de votre appareil pour mieux obtenir assistance ou service en cas de besoin. Vous devrez connaître les numéros au complet de modèle et de série. Cette information est donnée sur la plaque signalétique des numéros de modèle et de série, située sur votre appareil tel qu'indiqué dans la section "Pièces et caractéristiques".

Nom du marchand \_\_\_\_\_

Adresse \_\_\_\_\_

Numéro de téléphone \_\_\_\_\_

Numéro de modèle \_\_\_\_\_

Numéro de série \_\_\_\_\_

Date d'achat \_\_\_\_\_

