



## **Electric Cooktop**

Use & Care Guide

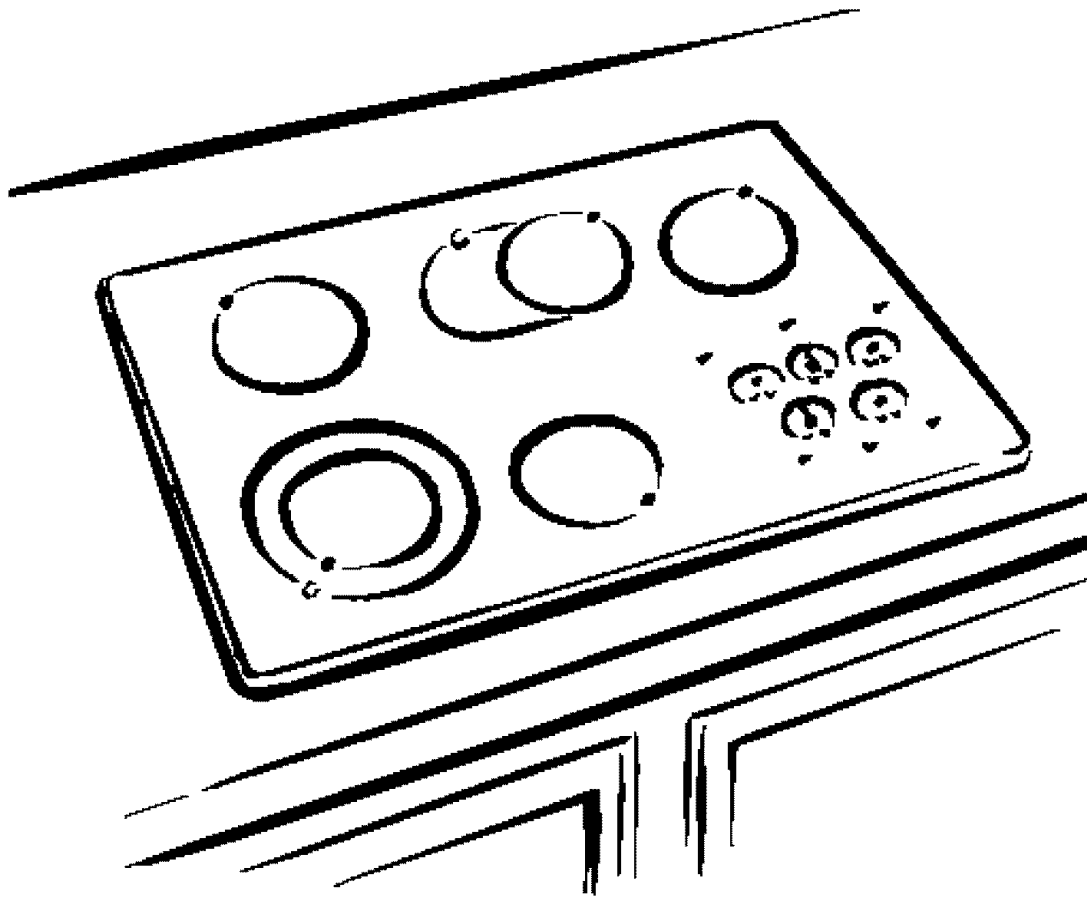
## **Superficie de cocción eléctrica**

Manual de uso y cuidado

## **Table de cuisson électrique**

Guide d'utilisation et d'entretien

Models/Modelos/Modèles 665.44042/44043/44044/44049  
665.44052/44053/44054/44059



ENGLISH | ESPAÑOL | FRANÇAIS

---

# TABLE OF CONTENTS

<b>PROTECTION AGREEMENTS</b> .....	<b>3</b>	Radiant Glass .....	8
In the U.S.A.....	3	Dual Cooking Zone(s) .....	8
In Canada .....	3	Melt Function .....	9
<b>WARRANTY</b> .....	<b>4</b>	Warm Function .....	9
<b>COOKTOP SAFETY</b> .....	<b>4</b>	Home Canning.....	9
<b>PARTS AND FEATURES</b> .....	<b>6</b>	Cookware.....	9
<b>COOKTOP USE</b> .....	<b>7</b>	<b>COOKTOP CARE</b> .....	<b>10</b>
Cooktop Touch Controls.....	7	General Cleaning .....	10
ALL OFF.....	7	<b>TROUBLESHOOTING</b> .....	<b>11</b>
LOCKED .....	7	<b>SERVICE NUMBERS</b> .....	<b>BACK COVER</b>

---

## ÍNDICE

<b>CONTRATOS DE PROTECCIÓN</b> .....	<b>13</b>	Vidrio radiante.....	18
En los EE.UU. ....	13	Zona(s) de cocción dual .....	18
En Canadá .....	13	Función para derretir .....	19
<b>GARANTÍA</b> .....	<b>14</b>	Función para mantener tibio .....	19
<b>SEGURIDAD DE LA SUPERFICIE DE COCCIÓN</b> .....	<b>14</b>	Preparación de alimentos caseros enlatados.....	19
<b>PIEZAS Y CARACTERÍSTICAS</b> .....	<b>16</b>	Utensilios de cocina .....	19
<b>USO DE LA SUPERFICIE DE COCCIÓN</b> .....	<b>17</b>	<b>CUIDADO DE LA SUPERFICIE DE COCCIÓN</b> .....	<b>20</b>
Controles táctiles de la superficie de cocción.....	17	Limpieza General.....	20
ALL OFF (Todo apagado).....	18	<b>SOLUCIÓN DE PROBLEMAS</b> .....	<b>21</b>
LOCKED (Bloqueado).....	18	<b>NÚMEROS DE SERVICIO</b> .....	<b>CONTRAPORTADA</b>

---

## TABLE DES MATIÈRES

<b>CONTRATS DE PROTECTION</b> .....	<b>23</b>	Verre radiant .....	28
Aux États-Unis.....	23	Zone(s) double(s) de cuisson.....	28
Au Canada .....	23	Fonction Melt (fondre) .....	29
<b>GARANTIE</b> .....	<b>24</b>	Fonction Warm (maintien au chaud) .....	29
<b>SÉCURITÉ DE LA TABLE DE CUISSON</b> .....	<b>24</b>	Préparation de conserves à la maison.....	29
<b>PIÈCES ET CARACTÉRISTIQUES</b> .....	<b>26</b>	Ustensiles de cuisson.....	29
<b>UTILISATION DE LA TABLE DE CUISSON</b> .....	<b>27</b>	<b>ENTRETIEN DE LA TABLE DE CUISSON</b> .....	<b>30</b>
Commandes tactiles de la table de cuisson .....	27	Nettoyage général .....	30
ALL OFF (toutes commandes éteintes) .....	28	<b>DÉPANNAGE</b> .....	<b>31</b>
LOCKED (verrouillage).....	28	<b>NUMÉROS DE SERVICE</b> .....	<b>COUVERTURE ARRIÈRE</b>

---

# PROTECTION AGREEMENTS

---

## In the U.S.A.

### Master Protection Agreements

Congratulations on making a smart purchase. Your new Kenmore® product is designed and manufactured for years of dependable operation. But like all products, it may require preventive maintenance or repair from time to time. That's when having a Master Protection Agreement can save you money and aggravation.

*Purchase a Master Protection Agreement now and protect yourself from unexpected hassle and expense.*

The Master Protection Agreement also helps extend the life of your new product. Here's what's included in the Agreement:

- ✓ **Expert service** by our 12,000 professional repair specialists
- ✓ **Unlimited service and no charge** for parts and labor on all covered repairs
- ✓ **"No-lemon" guarantee** – replacement of your covered product if four or more product failures occur within twelve months
- ✓ **Product replacement** if your covered product can't be fixed
- ✓ **Annual Preventive Maintenance Check** at your request – no extra charge
- ✓ **Fast help by phone** – phone support from a Sears technician on products requiring in-home repair, plus convenient repair scheduling
- ✓ **Power surge protection** against electrical damage due to power fluctuations
- ✓ **Rental reimbursement** if repair of your covered product takes longer than promised

Once you purchase the Agreement, a simple phone call is all that it takes for you to schedule service. You can call anytime day or night, or schedule a service appointment online.

Sears has over 12,000 professional repair specialists, who have access to over 4.5 million quality parts and accessories. That's the kind of professionalism you can count on to help prolong the life of your new purchase for years to come. Purchase your Master Protection Agreement today!

**Some limitations and exclusions apply. For prices and additional information, call 1-800-827-6655.**

### Sears Installation Service

For Sears professional installation of home appliances, garage door openers, water heaters, and other major home items, in the U.S.A. call **1-800-4-MY-HOME®**.

## In Canada

### Maintenance Agreements

Your purchase has added value because you can depend on Sears HomeCentral® for service. With over 2,400 Service Technicians and more than a million parts and accessories, we have the tools, parts, knowledge and skills to back our pledge: We Service What We Sell.

Your Kenmore® product is designed, manufactured and tested to provide years of dependable operation. But like all products, it may require service from time to time. The Sears Maintenance Agreement offers you an outstanding service program, affordably priced.

### The Sears Maintenance Agreement

- Is your way to buy tomorrow's service at today's price
- Eliminates repair bills resulting from normal wear and tear
- Provides phone support from a Sears technician on products requiring in-home repair
- Even if you don't need repairs, provides an annual Preventive Maintenance Check, at your request, to ensure that your product is in proper running condition.

**Some limitations apply. For more information about Sears Canada Maintenance Agreements, call 1-800-361-6665.**

# WARRANTY

## ONE-YEAR FULL WARRANTY ON COOKTOP PARTS

For one year from the date of purchase, when installed and operated according to the Installation Instructions and Use & Care Guide, if any part of this cooktop fails due to a defect in material or workmanship, Sears will repair or replace it, at our option, free of charge.

## ADDITIONAL FOUR-YEAR LIMITED WARRANTY ON COOKTOP PARTS

For the second through the fifth year from the date of purchase, when installed and operated according to the Installation Instructions and Use & Care Guide, Sears will supply the following cooktop parts free of charge if they fail for the reasons listed below. Customer must pay labor cost of installation.

- Cooktop glass if it fails due to thermal shock.
- Cooking elements if they are defective.

What Sears will not cover:

- Failure of the product if it is abused, misused, or used for other than the intended purpose.
- Damage to the cooktop glass caused by the use of cleaners or utensils other than the recommended cleaning cream and tools.
- Damage to the cooktop glass caused by hardened spills of sugary materials (including starches from vegetables or pastas) or melted plastic that are not cleaned according to the directions in the Use & Care Guide. - Repairs to parts or systems resulting from unauthorized modifications made to the appliance.

## WARRANTY RESTRICTION

If the product is subjected to other than private residential use, all warranty coverage is effective for only 90 days.

## WARRANTY SERVICE

WARRANTY SERVICE IS AVAILABLE BY CONTACTING THE NEAREST SEARS SERVICE CENTER IN THE UNITED STATES OR CANADA.

WARRANTY SERVICE IS AVAILABLE BY CONTACTING SEARS AT **1-800-4-MY-HOME®**.

This warranty gives you specific legal rights and you may also have other rights which vary from state to state or province to province.

**Sears, Roebuck and Co.**  
**D/817WA, Hoffman Estates, IL 60179**  
**Sears Canada Inc.**  
**Toronto, Ontario Canada M5B 2B8**

## PRODUCT RECORD

In the space below, record your complete model number, serial number, and purchase date. You can find this information on the model and serial number label, located as shown in the Parts and Features section of this book. Have this information available to help you quickly obtain assistance or service when you contact Sears concerning your appliance.

Model number **665**.

Serial number \_\_\_\_\_

Purchase date \_\_\_\_\_

**Save these instructions and your sales receipt for future reference.**

# COOKTOP SAFETY

## Your safety and the safety of others are very important.

We have provided many important safety messages in this manual and on your appliance. Always read and obey all safety messages.



This is the safety alert symbol.

This symbol alerts you to potential hazards that can kill or hurt you and others.

All safety messages will follow the safety alert symbol and either the word "DANGER" or "WARNING." These words mean:

**⚠ DANGER**

**⚠ WARNING**

**You can be killed or seriously injured if you don't immediately follow instructions.**

**You can be killed or seriously injured if you don't follow instructions.**

All safety messages will tell you what the potential hazard is, tell you how to reduce the chance of injury, and tell you what can happen if the instructions are not followed.

# IMPORTANT SAFETY INSTRUCTIONS

**WARNING:** To reduce the risk of fire, electrical shock, injury to persons, or damage when using the cooktop, follow basic precautions, including the following:

- **CAUTION:** Do not store items of interest to children in cabinets above a cooktop – Children climbing on the cooktop to reach items could be seriously injured.
- **Proper Installation** – Be sure your cooktop is properly installed and grounded by a qualified technician.
- **Never Use Your Cooktop for Warming or Heating the Room.**
- **Do Not Leave Children Alone** – Children should not be left alone or unattended in area where cooktop is in use. They should never be allowed to sit or stand on any part of the cooktop.
- **Wear Proper Apparel** – Loose-fitting or hanging garments should never be worn while using the cooktop.
- **User Servicing** – Do not repair or replace any part of the cooktop unless specifically recommended in the manual. All other servicing should be referred to a qualified technician.
- **Storage on Cooktop** – Flammable materials should not be stored near surface units.
- **Do Not Use Water on Grease Fires** – Smother fire or flame or use dry chemical or foam-type extinguisher.
- **Use Only Dry Potholders** – Moist or damp potholders on hot surfaces may result in burns from steam. Do not let potholder touch hot heating elements. Do not use a towel or other bulky cloth.
- **DO NOT TOUCH SURFACE UNITS OR AREAS NEAR UNITS** – Surface units may be hot even though they are dark in color. Areas near surface units may become hot enough to cause burns. During and after use, do not touch, or let clothing or other flammable materials contact surface units or areas near units until they have had sufficient time to cool. Among those areas are the cooktop and surfaces facing the cooktop.
- **Use Proper Pan Size** – This cooktop is equipped with one or more surface units of different size. Select utensils having flat bottoms large enough to cover the surface unit heating element. The use of undersized utensils will expose a portion of the heating element to direct contact and may result in ignition of clothing. Proper relationship of utensil to burner will also improve efficiency.

- **Never Leave Surface Units Unattended at High Heat Settings** – Boilover causes smoking and greasy spillovers that may ignite.
- **Glazed Cooking Utensils** – Only certain types of glass, glass/ceramic, ceramic, earthenware, or other glazed utensils are suitable for cooktop service without breaking due to the sudden change in temperature.
- **Utensil Handles Should Be Turned Inward and Not Extend Over Adjacent Surface Units** – To reduce the risk of burns, ignition of flammable materials, and spillage due to unintentional contact with the utensil, the handle of a utensil should be positioned so that it is turned inward, and does not extend over adjacent surface units.
- **Do Not Cook on Broken Cooktop** – If cooktop should break, cleaning solutions and spillovers may penetrate the broken cooktop and create a risk of electric shock. Contact a qualified technician immediately.
- **Clean Cooktop With Caution** – If a wet sponge or cloth is used to wipe spills on a hot cooking area, be careful to avoid steam burn. Some cleaners can produce noxious fumes if applied to a hot surface.

## **For units with ventilating hood –**

- **Clean Ventilating Hoods Frequently** – Grease should not be allowed to accumulate on hood or filter.
- **When flaming foods under the hood, turn the fan on.**

## **For units with coil elements –**

- **Make Sure Reflector Pans or Drip Bowls Are in Place** – Absence of these pans or bowls during cooking may subject wiring or components underneath to damage.
- **Protective Liners** – Do not use aluminum foil to line surface unit drip bowls, except as suggested in the manual. Improper installation of these liners may result in a risk of electric shock, or fire.
- **Do Not Soak Removable Heating Elements** - Heating elements should never be immersed in water.

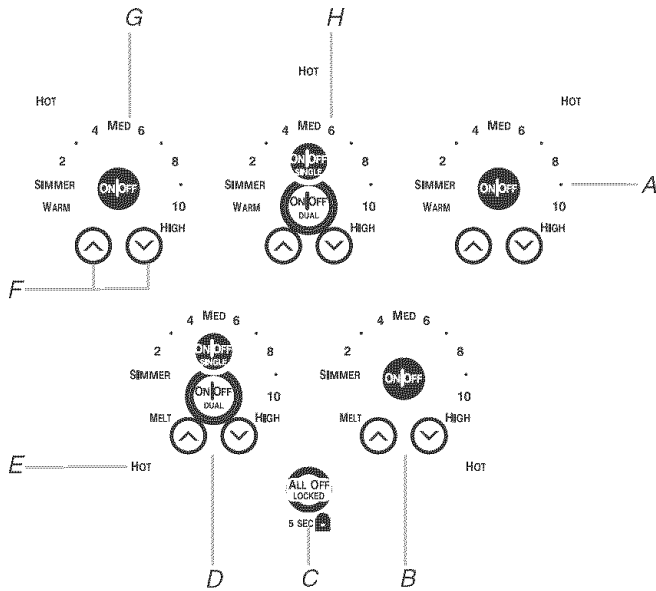
**SAVE THESE INSTRUCTIONS**

# PARTS AND FEATURES

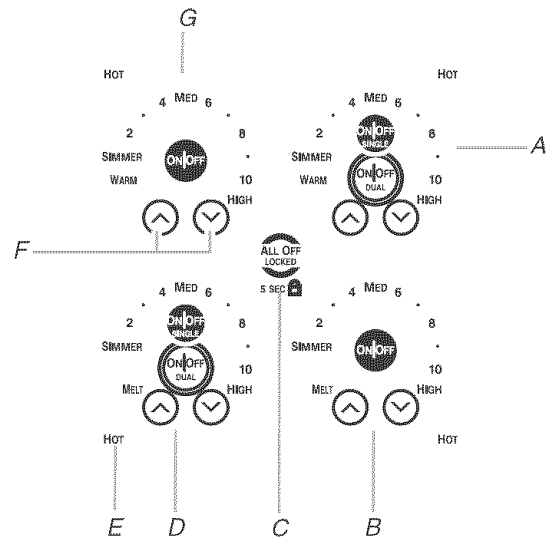
This manual covers different models. The cooktop you have purchased may have some or all of the items listed. The locations and appearances of the features shown here may not match those of your model.

## Control Panels

### 36" Models



### 30" Models

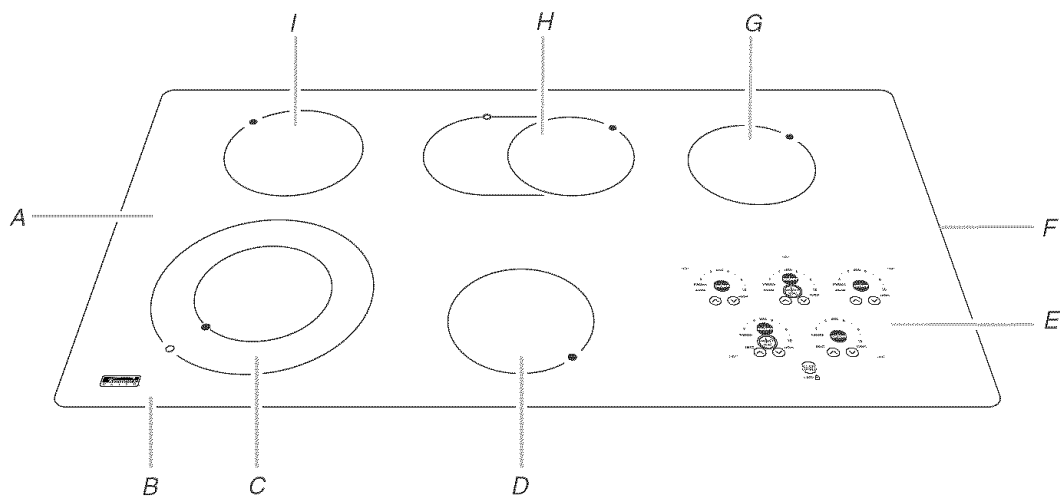


- A. Right rear cooktop touch control (Warm Function)
- B. Right front cooktop touch control
- C. ALL/OFF Control Lock

- D. Left front cooktop touch control (Dual Cooking Zone, Melt Function)
- E. Hot Surface indicator lights
- F. Increase/Decrease Temperature Tough Control

- G. Left rear cooktop touch control (Warm Function)
- H. Right rear cooktop touch control (Dual Cooking Zone on 36" models, Warm Function)

## Cooktop (36" model shown)



- A. Ceramic glass cooktop
- B. Model and serial number plate (located underneath cooktop on metal cabinet)
- C. Left front surface cooking area (with Dual Cooking Zone)

- D. Right front surface cooking area
- E. Control panel
- F. Stainless steel trim (on some models)
- G. Right rear surface cooking area (with Dual Cooking Zone on 30" models)

- H. Center rear surface cooking area (with Dual Cooking Zone on 36" models)
- I. Left rear surface cooking area

# COOKTOP USE

## Cooktop Touch Controls

### **! WARNING**



#### **Fire Hazard**

**Turn off all controls when done cooking.  
Failure to do so can result in death or fire.**

The cooktop touch controls offer a variety of heat settings for optimal cooking results. For normal surface cooking element operation, the cooktop touch controls can be set anywhere between SIMMER and HIGH.

When melting foods such as chocolate or butter, or when proofing bread, the right front and left front surface cooking areas can be set to MELT for minimal element operation.

For maximum element operation, all cooktop touch controls can be set to HIGH when bringing liquids to a fast and rapid boil. Touch the “down” arrow to immediately reach the HIGH setting.

#### **To Use:**

1. Touch ON/OFF.
2. Touch the “up” or “down” arrow to increase or decrease power.
3. To choose a power level between HIGH and SIMMER, touch and hold either arrow until the desired level has been reached.
4. When finished cooking, touch ON/OFF to turn surface cooking area(s) off individually, or touch ALL OFF to turn all elements off at the same time.

Use the following chart as a guide when setting heat levels.

SETTING	RECOMMENDED USE
<b>HIGH</b>	<ul style="list-style-type: none"><li>■ Start food cooking.</li><li>■ Bring liquid to a boil.</li></ul>
<b>Medium High</b> 10-6	<ul style="list-style-type: none"><li>■ Hold a rapid boil.</li><li>■ Quickly brown or sear food.</li></ul>
<b>MED</b> <b>Medium</b> 6-4	<ul style="list-style-type: none"><li>■ Maintain a slow boil.</li><li>■ Fry or sauté foods.</li><li>■ Cook soups, sauces and gravies.</li></ul>
<b>Medium Low</b> 4-2	<ul style="list-style-type: none"><li>■ Stew or steam food.</li><li>■ Simmer.</li></ul>
<b>SIMMER</b>	<ul style="list-style-type: none"><li>■ Provide lowest simmer/heat setting.</li></ul>
<b>DUAL COOKING ZONE(S)</b>	<ul style="list-style-type: none"><li>■ Home canning.</li><li>■ Large-diameter cookware.</li><li>■ Large quantities of food.</li></ul>
<b>MELT FUNCTION</b>	<ul style="list-style-type: none"><li>■ Melt chocolate or butter.</li></ul>
<b>WARM FUNCTION</b>	<ul style="list-style-type: none"><li>■ Keep cooked foods warm.</li></ul>

**REMEMBER:** When cooktop is in use, the entire cooktop area may become hot.

#### **Hot Surface Indicator Lights**

The Hot Surface Indicator Lights are located next to each of the cooktop touch controls. See “Parts and Features” section. The Hot Surface Indicator Lights will glow as long as any surface cooking area is too hot to touch, even after the surface cooking area(s) is turned off.

If the cooktop is on when a power failure occurs, and if the power failure is less than 1 hour, the Hot Surface Indicator Lights will remain on after power is restored to the cooktop. They will remain on until the cooktop has cooled completely.

#### **ALL OFF**

The ALL OFF cooktop touch controls turn off all surface cooking areas that are in use at the same time.

#### **LOCKED**

The LOCKED cooktop touch control prevents unintended use of the surface cooking areas. When the cooktop is locked out, the surface cooking areas cannot be turned on by the cooktop touch controls.

**To Lock Cooktop:** Press and hold the LOCKED keypad for 5 seconds. After 5 seconds, a light will glow red above the “ALL OFF LOCKED” indicator, indicating that the cooktop touch controls are in the lockout position.

**To Unlock Cooktop:** Press and hold the LOCKED keypad for 5 seconds.

---

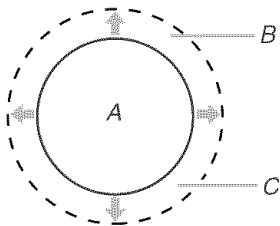
## Radiant Glass

The surface cooking area will glow red when an element is on. It will cycle on and off, at all settings, to maintain the selected heat level.

It is normal for the surface of white ceramic glass to appear to change color when surface cooking areas are hot. As the glass cools, it will return to its original color.

Wiping off the cooktop before and after each use will help keep it free from stains and provide the most even heating. For more information, see "General Cleaning" section.

- Do not store jars or cans above the cooktop. Dropping a heavy or hard object onto the cooktop could crack it.
- Do not leave a hot lid on the cooktop. As the cooktop cools, air can become trapped between the lid and the cooktop, and the ceramic glass could break when the lid is removed.
- Clean up sugary spills and soils as soon as hot surface indicator light goes off. If spills and soils are not wiped up while warm, surface pitting can occur.
- Do not slide cookware or bakeware across the cooktop. Aluminum or copper bottoms and rough finishes on cookware or bakeware could leave scratches or marks on the cooktop.
- Do not cook popcorn in prepackaged aluminum containers on the cooktop. It could leave aluminum marks that cannot be removed completely.
- Do not allow objects that could melt, such as plastic or aluminum foil, to touch any part of the entire cooktop.
- Do not use the cooktop as a cutting board.
- Use cookware about the same size as the surface cooking area. Cookware should not extend more than 1" (2.5 cm) outside the area.



A. Surface Cooking Area  
B. Cookware/Canner  
C. 1" (2.5 cm) Maximum Overhang

- Use flat-bottomed cookware for best heat conduction and energy efficiency. Cookware with rounded, warped, ribbed or dented bottoms could cause uneven heating and poor cooking results.

- Determine flatness by placing the straight edge of a ruler across the bottom of the cookware. While you rotate the ruler, no space or light should be visible between it and the cookware.
- Cookware designed with slightly indented bottoms or small expansion channels can be used.
- Make sure the bottoms of pots and pans are clean and dry before using them. Residue and water can leave deposits when heated.
- Do not cook foods directly on the cooktop.

---

## Dual Cooking Zone(s)

The Dual Cooking Zone(s) offers flexibility depending on the size of the cookware. Single size can be used in the same way as a regular element. The dual size combines both the single and outer element and is recommended for larger size cookware.

When you are using the single size element, the dual size element can be turned on at any time, and you can switch back to the single size element if needed.

### To Use SINGLE:

1. Touch ON/OFF SINGLE.
2. Touch the "up" or "down" arrow to increase or decrease power.
3. To choose a power level between HIGH and SIMMER, touch and hold either arrow until the desired level has been reached.
4. When finished cooking, touch ON/OFF SINGLE to turn surface cooking area(s) off individually, or touch ALL OFF to turn all elements off at the same time.

### To Use DUAL:

1. Touch ON/OFF DUAL.
2. Touch the "up" or "down" arrow to increase or decrease power.
3. To choose a power level between HIGH and SIMMER, touch and hold either arrow until the desired level has been reached.
4. When finished cooking, touch ON/OFF DUAL to turn surface cooking area(s) off individually, or touch ALL OFF to turn all elements off at the same time.



## Melt Function

The Melt Function is available on both the right front and left front elements, and is ideal for melting chocolate or butter.

### To Use:

1. Touch ON/OFF.
2. Touch the “up” arrow once for MELT.
3. When finished cooking, touch ON/OFF to turn off surface cooking area.

## Warm Function

### **⚠ WARNING**

#### **Food Poisoning Hazard**

**Do not let food sit in oven more than one hour before or after cooking.**

**Doing so can result in food poisoning or sickness.**

The Warm Function is available on the rear elements, and can be used to keep cooked foods warm, and may be used whether or not the other surface cooking zones are in use.

It is not recommended for heating cold foods. When the Warm Function is in use, it will not glow red like the cooking zones, but the indicator light will glow on the control panel.

Use only cookware and dishes recommended for oven and cooktop use, and that have flat bottoms to make direct contact with the cooktop surface. Use pot holders or oven mitts to remove cookware.

Cover all foods with a lid or aluminum foil. Do not use plastic wrap to cover food, as it may melt onto the cooktop surface. When warming baked goods, allow a small opening in the cover for moisture to escape.

Food quality may deteriorate if food is kept on the Warm Function for an extended period of time. For best results, keep food warm for no longer than 30 to 45 minutes.

### To Use:

1. Touch ON/OFF.
2. Touch the “up” arrow once for WARM.
3. When finished cooking, touch ON/OFF to turn off surface cooking area.

## Home Canning

When canning for long periods, alternate the use of surface cooking areas, elements or surface burners between batches. This allows time for the most recently used areas to cool.

- Center the canner on the grate or largest surface cooking area or element. Canners should not extend more than 1" (2.5 cm) outside the cooking area.
- Do not place canner on two surface cooking areas, elements or surface burners at the same time.
- Only use flat-bottomed canners.
- For more information, contact your local U.S. Government Agricultural Department Extension Office. Companies that manufacture home canning products can also offer assistance.

## Cookware

**IMPORTANT:** Do not leave empty cookware on a hot surface cooking area, element or surface burner.

Ideal cookware should have a flat bottom, straight sides, a well-fitting lid and the material should be of medium-to-heavy thickness.

Rough finishes may scratch the cooktop. Aluminum and copper may be used as a core or base in cookware. However, when used as a base they can leave permanent marks on the cooktop.

Cookware material is a factor in how quickly and evenly heat is transferred, which affects cooking results. A nonstick finish has the same characteristics as its base material. For example, aluminum cookware with a nonstick finish will take on the properties of aluminum.

Use the following chart as a guide for cookware material characteristics.

COOKWARE	CHARACTERISTICS
Aluminum	<ul style="list-style-type: none"><li>■ Heats quickly and evenly.</li><li>■ Suitable for all types of cooking.</li><li>■ Medium or heavy thickness is best for most cooking tasks.</li></ul>
Cast iron	<ul style="list-style-type: none"><li>■ Heats slowly and evenly.</li><li>■ Good for browning and frying.</li><li>■ Maintains heat for slow cooking.</li></ul>
Ceramic or Ceramic glass	<ul style="list-style-type: none"><li>■ Follow manufacturer's instructions.</li><li>■ Heats slowly, but unevenly.</li><li>■ Ideal results on low to medium heat settings.</li></ul>
Copper	<ul style="list-style-type: none"><li>■ Heats very quickly and evenly.</li></ul>
Earthenware	<ul style="list-style-type: none"><li>■ Follow manufacturer's instructions.</li><li>■ Use on low heat settings.</li></ul>
Porcelain enamel-on-steel or cast iron	<ul style="list-style-type: none"><li>■ See stainless steel or cast iron.</li></ul>
Stainless steel	<ul style="list-style-type: none"><li>■ Heats quickly, but unevenly.</li><li>■ A core or base of aluminum or copper on stainless steel provides even heating.</li></ul>

---

# COOKTOP CARE

---

## General Cleaning

**IMPORTANT:** Before cleaning, make sure all controls are off and the oven and cooktop are cool. Always follow label instructions on cleaning products.

Soap, water and a soft cloth or sponge are suggested first unless otherwise noted.

---

### STAINLESS STEEL (on some models)

---

Do not use soap-filled scouring pads, abrasive cleaners, Cooktop Polishing Creme, steel-wool pads, gritty washcloths or some paper towels. Damage may occur.

Rub in direction of grain to avoid damaging.

- Stainless Steel Cleaner & Polish (not included): See back cover for ordering information.
- Liquid detergent or all-purpose cleaner: Rinse with clean water and dry with soft, lint-free cloth.
- Vinegar for hard water spots.

---

### RADIANT GLASS

---

Do not use steel wool, abrasive powder cleansers, chlorine bleach, rust remover or ammonia because damage may occur.

Always wipe with a clean, wet cloth and dry thoroughly to prevent streaking and staining.

Cooktop Cleaning Creme supplied with your cooktop should be used regularly to help prevent scratches, pitting and abrasions, and to condition the cooktop. It can be purchased as a kit along with the Cooktop Scraper. Ask for stock number 22-364-WX10X117 when reordering.

A blue 3M SCOTCH-BRITE® no scratch scrub sponge supplied with your cooktop is also recommended for stubborn soils. This pad is designed specifically to keep your radiant glass clean. Do not use this pad to clean any other surfaces.

A Cooktop Scraper is also recommended for stubborn soils, and can be ordered as an accessory. Ask for stock number 22-364-WX10X302 when ordering. The Cooktop Scraper uses razor blades. **Store razor blades out of the reach of children.**

### Light to moderate soil

- Paper towels or blue 3M SCOTCH-BRITE® no scratch scrub sponge: Clean while the cooktop is still warm. You may want to wear oven mitts while doing so.

### Sugary spills (jellies, candy, syrup)

- Blue 3M SCOTCH-BRITE® no scratch scrub sponge: Clean while the cooktop is still warm. You will want to wear oven mitts while doing so.
- Cooktop Scraper, Cooktop Cleaning Creme and clean damp paper towel: Clean as soon as cooktop has cooled down. Rub creme into surface with a damp paper towel or soft cloth. Continue rubbing until white film disappears.

### Heavy soil, dark streaks, specks and discoloration

- Cooktop Scraper, Cooktop Cleaning Creme or nonabrasive cleanser: Rub product into soil with a damp paper towel or soft cloth. Continue rubbing until white film disappears.

### Burned-on soil

- Cooktop Cleaning Creme and blue 3M SCOTCH-BRITE® no scratch scrub sponge: Rub creme into soil with damp paper towel. Repeat for stubborn spots. Polish entire cooktop with creme and paper towel.

### Metal marks from aluminum and copper

- Cooktop Cleaning Creme: Clean as soon as cooktop has cooled down. Rub creme into surface with a damp paper towel or soft cloth. Continue rubbing until white film disappears. The marks will not totally disappear but after many cleanings become less noticeable.

### Tiny scratches and abrasions

- Cooktop Cleaning Creme: Rub creme into surface with a damp paper towel or soft cloth. Continue rubbing until white film disappears. Scratches and abrasions do not affect cooking performance and after many cleanings become less noticeable.

---

# TROUBLESHOOTING

---

Try the solutions suggested here first in order to avoid the cost of an unnecessary service call.

---

## Nothing will operate

---

- **Is the cooktop wired properly?** See the Installation Instructions for more information.
  - **Has a household fuse blown, or has a circuit breaker tripped?** Replace the fuse or reset the circuit.
- 

## Cooktop will not operate

---

- **Is the cooktop control set correctly?** Touch ON/OFF before selecting a setting.
  - **On ceramic glass models, is the “ALL OFF LOCKED” Cooktop Lockout set?** See “ALL OFF” or “LOCKED” sections.
- 

## Excessive heat around cookware on cooktop

---

- **Is the cookware the proper size?** Use cookware about the same size as the surface cooking area, element or surface burner. Cookware should not extend more than 1" (2.5 cm) outside the cooking area.
- 

## Cooktop has flashing lights

---

- **Are there lights on the cooktop flashing on and off?**
    1. Make sure the cooktop controls are OFF.
    2. Clean the cooktop touch control panel thoroughly. See “General Cleaning.”
    3. If the cooktop lights continue to flash, disconnect power or unplug the cooktop.
    4. After a few seconds, reconnect power or plug in the cooktop.
    5. If the lights continue to blink on and off, call for service.
- 

## Cooktop cooking results not what expected

---

- **Is the proper cookware being used?** See “Cookware” section.
  - **Is the cooktop touch control set to the proper heat level?** See “Cooktop Touch Controls” section.
  - **Is the appliance level?** Level the appliance. See the Installation Instructions.
-

---

## Notes

# CONTRATOS DE PROTECCIÓN

## En los EE.UU.

### Contratos Maestros de Protección

¡Felicitaciones por su inteligente adquisición! Su nuevo producto Kenmore® ha sido diseñado y fabricado para brindarle años de funcionamiento confiable. Pero al igual que todos los productos, puede necesitar mantenimiento preventivo o reparación de vez en cuando. Es allí donde el Contrato Maestro de Protección puede ahorrarle dinero e inconvenientes.

*Adquiera un Contrato Maestro de Protección hoy y protéjase contra molestias y gastos inesperados.*

El Contrato Maestro de Protección también ayuda a prolongar la vida de su nuevo producto. He aquí lo que se incluye en el Contrato:

- ✓ **Servicio experto** por nuestros 12.000 especialistas en reparación competentes
- ✓ **Servicio ilimitado y gratuito** para repuestos y mano de obra en todas las reparaciones protegidas por el contrato
- ✓ **Garantía "sin disgustos"** - reemplazo de su producto protegido si ocurren cuatro o más fallas del producto en el transcurso de doce meses
- ✓ **Reemplazo del producto** si su producto protegido no puede ser reparado
- ✓ **Revisión Anual de Mantenimiento Preventivo** a solicitud suya - sin costo adicional
- ✓ **Ayuda rápida por teléfono** - asistencia por teléfono a cargo de un técnico de Sears para productos que deban ser reparados en su hogar, además de un horario de reparación conveniente
- ✓ **Protección de sobrevoltaje** contra daños eléctricos debido a fluctuaciones de electricidad
- ✓ **Reembolso de la renta** si la reparación de su producto protegido tarda más de lo prometido

Una vez adquirido el Contrato, tan sólo tiene que llamar para fijar la visita de servicio técnico. Usted puede llamar a cualquier hora, de día o de noche, o fijar una visita técnica en internet.

Sears cuenta con un equipo de más de 12.000 especialistas en reparación competentes, quienes tienen a disposición más de 4,5 millones de piezas y accesorios de calidad. Ése es el tipo de profesionalismo con el que usted puede contar para ayudarle a prolongar la vida de su nuevo artefacto por muchos años más. ¡Adquiera hoy su Contrato Maestro de Protección!

**Se aplican algunas limitaciones y exclusiones. Para obtener precios e información adicional, llame al 1-800-827-6655.**

### Servicio de Instalación de Sears

Para la instalación profesional de Sears de artefactos electrodomésticos, abridores de puertas de garaje, calentadores de agua y otros artículos importantes de la casa, en los EE.UU. llame al **1-800-4-MY-HOME®**.

## En Canadá

### Contratos de mantenimiento

Su compra adquiere un nuevo valor ya que usted puede confiar en Sears HomeCentral® para obtener servicio de reparación. Con más de 2.400 especialistas capacitados en reparaciones y acceso a más de un millón de piezas y accesorios, contamos con las herramientas, piezas, conocimiento y la destreza para asegurarnos de respaldar nuestra promesa de que: Reparamos lo que vendemos.

Su producto Kenmore® está diseñado, fabricado y sometido a prueba para proporcionarle años de funcionamiento confiable. No obstante, cualquier producto puede necesitar servicio técnico de vez en cuando. El contrato de mantenimiento Sears le ofrece un programa de servicio excepcional, a un precio accesible.

### El contrato de mantenimiento Sears

- Es la manera de comprar el servicio técnico del mañana a precios de hoy
- Elimina las facturas de reparación producidas por el uso normal y el desgaste
- Ofrece apoyo por teléfono a cargo de un técnico de Sears para los productos que deban ser reparados en el hogar
- Aún si usted no necesita reparaciones, proporciona una revisión anual de mantenimiento preventivo a solicitud suya, para asegurarse de que su producto está en condiciones apropiadas de funcionamiento.

**Se aplican ciertas restricciones. Para obtener más información referente a los Contratos de mantenimiento de Sears Canada, llame al 1-800-361-6665.**

# GARANTÍA

## GARANTÍA COMPLETA POR UN AÑO PARA LAS PIEZAS DE LA SUPERFICIE DE COCCIÓN

Durante un año a partir de la fecha de compra, habiéndose instalado y operado esta superficie de cocción de acuerdo con las instrucciones proporcionadas en las Instrucciones de Instalación y el Manual de Uso y Cuidado, Sears reparará o reemplazará gratuitamente, según nuestra opción, los defectos de material o de mano de obra que tuviese la superficie de cocción.

## GARANTÍA LIMITADA ADICIONAL DE CUATRO AÑOS EN LAS PIEZAS DE LA SUPERFICIE DE COCCIÓN

Del segundo al quinto año desde la fecha de compra, habiéndose instalado y operado de acuerdo con las Instrucciones de Instalación y el Manual de Uso y Cuidado, Sears proporcionará las siguientes piezas de la superficie de cocción sin cargo si presentan las fallas enlistadas a continuación. El cliente deberá pagar el costo de mano de obra por la instalación.

- Vidrio de la superficie de cocción si falla por un choque térmico.
- Elementos de cocción si éstos presentan defectos.

Sears no cubrirá:

- Falla del producto en el caso de que se abuse de él, se use indebidamente o se le dé un uso diferente del uso para el cual fue creado.
- Daño al vidrio de la superficie de cocción causado por el uso de limpiadores o utensilios diferentes de la crema de limpieza y herramientas recomendadas.
- Daño al vidrio de la superficie de cocción causado por derrames endurecidos de materiales azucarados (inclusive almidones de vegetales o pasta) o de plástico derretido que no fueron limpiados de acuerdo con las direcciones incluidas en el Manual de Uso y Cuidado. Reparaciones de piezas o sistemas como resultado de modificaciones no autorizadas que se hayan efectuado en el electrodoméstico.

## RESTRICCIÓN DE LA GARANTÍA

Si la superficie de cocción se empleara para algún otro uso que no fuera el doméstico familiar, la cobertura de la garantía que antecede sólo tiene 90 días de vigencia.

## SERVICIO DE REPARACIÓN DE LA GARANTÍA

EL SERVICIO DE REPARACIÓN DE LA GARANTÍA ESTÁ DISPONIBLE LLAMANDO AL CENTRO DE SERVICIO SEARS MÁS CERCANO EN LOS ESTADOS UNIDOS O CANADÁ.

PUEDEN OBTENER EL SERVICIO DE REPARACIÓN DE LA GARANTÍA COMUNICÁNDOSE CON SEARS AL 1-800-4-MY-HOME®.

Esta garantía le otorga derechos legales específicos, y es posible que usted tenga también otros derechos, los cuales varían de un estado a otro o de una provincia a otra.

**Sears, Roebuck and Co.**  
D/817WA, Hoffman Estates, IL 60179

**Sears Canada Inc.**  
Toronto, Ontario, Canada M5B 2B8

## REGISTRO DEL PRODUCTO

En el espacio de abajo, anote su número completo de modelo y serie así como la fecha de compra. Usted puede encontrar esta información en la etiqueta del número de modelo y serie, ubicada según se muestra en la sección de Partes y Características de este libro. Tenga esta información disponible para facilitarle la obtención de asistencia o servicio con prontitud siempre que llame a Sears con respecto a su electrodoméstico.

Número de modelo 665.

Número de serie \_\_\_\_\_

Fecha de compra \_\_\_\_\_

Guarde estas instrucciones y su comprobante de compra para referencia futura.

# SEGURIDAD DE LA SUPERFICIE DE COCCIÓN

## Su seguridad y la seguridad de los demás es muy importante.

Hemos incluido muchos mensajes importantes de seguridad en este manual y en su electrodoméstico. Lea y obedezca siempre todos los mensajes de seguridad.



Este es el símbolo de advertencia de seguridad.

Este símbolo le llama la atención sobre peligros potenciales que pueden ocasionar la muerte o una lesión a usted y a los demás.

Todos los mensajes de seguridad irán a continuación del símbolo de advertencia de seguridad y de la palabra "PELIGRO" o "ADVERTENCIA". Estas palabras significan:

**⚠ PELIGRO**

Si no sigue las instrucciones de inmediato, usted puede morir o sufrir una lesión grave.

**⚠ ADVERTENCIA**

Si no sigue las instrucciones, usted puede morir o sufrir una lesión grave.

Todos los mensajes de seguridad le dirán el peligro potencial, le dirán cómo reducir las posibilidades de sufrir una lesión y lo que puede suceder si no se siguen las instrucciones.

# INSTRUCCIONES IMPORTANTES DE SEGURIDAD

**ADVERTENCIA:** Para reducir el riesgo de incendio, electrocución, lesiones a personas o daños al usar la superficie de cocción, siga precauciones básicas, incluyendo las siguientes:

- **AVISO:** No almacene artículos que interesen a los niños en los armarios que están encima de una superficie de cocción - al trepar los niños encima de la superficie de cocción para alcanzar algún objeto, podrían lastimarse seriamente.
  - **Instalación Apropiaada** - Cerciórese de que la instalación y puesta a tierra de la superficie de cocción sean efectuadas adecuadamente por un técnico competente.
  - **Nunca use la superficie de cocción como calefacción del cuarto.**
  - **No deje a los niños solos** - No se debe dejar a los niños sin supervisión en el área donde la superficie de cocción esté en uso. Jamás se les debe permitir que se sienten o se paren en parte alguna de la superficie de cocción.
  - **Use ropa apropiada** - Nunca debe ponerse ropa holgada o que se esté colgando mientras esté usando la superficie de cocción.
  - **Servicio del usuario** - No repare ni reemplace pieza alguna de la superficie de cocción a menos que se recomiende específicamente en el manual. Cualquier otro servicio se debe dejar en las manos de un técnico competente.
  - **Almacenaje encima de la superficie de cocción** - No se debe guardar materiales inflamables cerca de las unidades exteriores.
  - **No use agua en incendios provocados por grasa** - Extinga el incendio o la llama o use un extinguidor de tipo espuma o químico seco.
  - **Use sólo agarradores de ollas secos** - Los agarradores de ollas húmedos o mojados en las superficies calientes pueden ocasionar quemaduras por vapor. No deje que el agarrador de ollas toque los elementos calefactores calientes. No use toallas ni otros paños voluminosos.
  - **NO TOQUE LAS UNIDADES EXTERIORES O ÁREAS CERCA DE LAS UNIDADES** - Las unidades exteriores podrían estar calientes no obstante su color sea oscuro. Las áreas cercanas a las unidades exteriores se pueden calentar lo suficiente para ocasionar quemaduras. Durante y después del uso, no toque ni deje que la ropa u otros materiales inflamables toquen las superficies exteriores o las áreas cercanas a las unidades hasta que haya transcurrido tiempo suficiente para que se enfríen. Entre esas áreas están la superficie de cocción y las superficies que están frente a la superficie de cocción.
  - **Use cacerolas de tamaño apropiado** - La superficie de cocción está equipada con una o más unidades exteriores de tamaño distinto. Seleccione utensilios que tengan el asiento liso lo suficientemente grande para cubrir el elemento calefactor de la unidad exterior. El uso de utensilios de menor tamaño expondrá una porción del elemento calefactor a contacto directo y puede ocasionar que la ropa se incendie. La relación apropiada entre el utensilio y el quemador también mejorará el rendimiento energético.
  - **Nunca deje sin supervisión las unidades exteriores a fuego alto.** Los derrames por ebullición ocasionan salpicaduras grasosas y humeantes que pueden incendiarse.
  - **Utensilios de cocina vidriados** - Sólo algunos tipos de utensilios de vidrio, cerámica vitrificada, cerámica, loza de barro u otros utensilios vidriados son adecuados para uso en la superficie de cocción sin que se rompan debido a cambios repentinos de temperatura.
  - **Los mangos de los utensilios deben colocarse hacia adentro y no deben extenderse hasta las unidades exteriores adyacentes** - Para reducir riesgos de quemaduras, incendio de materiales inflamables y salpicaduras debido a contacto accidental con el utensilio, el mango del utensilio debe colocarse hacia adentro y no debe extenderse hasta las unidades exteriores adyacentes.
  - **No cocine en una superficie de cocción quebrada** - Si la superficie de cocción se quiebra, las soluciones de limpieza y derrames pueden penetrar en la superficie de cocción y dar lugar a un riesgo de electrocución. Póngase en contacto con un técnico competente de inmediato.
  - **Limpie la superficie de cocción con cuidado** - Si usa una esponja o un paño mojado para limpiar los derrames en el área de cocción caliente, tenga cuidado para evitar quemaduras por vapor. Algunos productos de limpieza pueden producir gases nocivos al ser aplicados en una superficie caliente.
- Para unidades con campana de ventilación -**
- **Limpie las campanas de ventilación con frecuencia** - No se debe dejar que la grasa se acumule en la campana o en el filtro.
  - **Al flamear los alimentos debajo de la campana, encienda el ventilador.**
- Para unidades con elementos de serpentines -**
- **Cerciórese de que las charolas reflectoras o platillos para goteo estén en su lugar** - La ausencia de éstos durante la cocción puede ocasionar daños al alambrado o componentes que están debajo.
  - **Forros protectores** - No use papel de aluminio para forrar los platillos para goteo de las unidades exteriores, excepto como lo sugiera el manual. La instalación inapropiada de estos forros puede dar lugar a riesgos de electrocución o incendio.
  - **No remoje los elementos calefactores desmontables** - Nunca se deben sumergir los elementos calefactores en el agua.

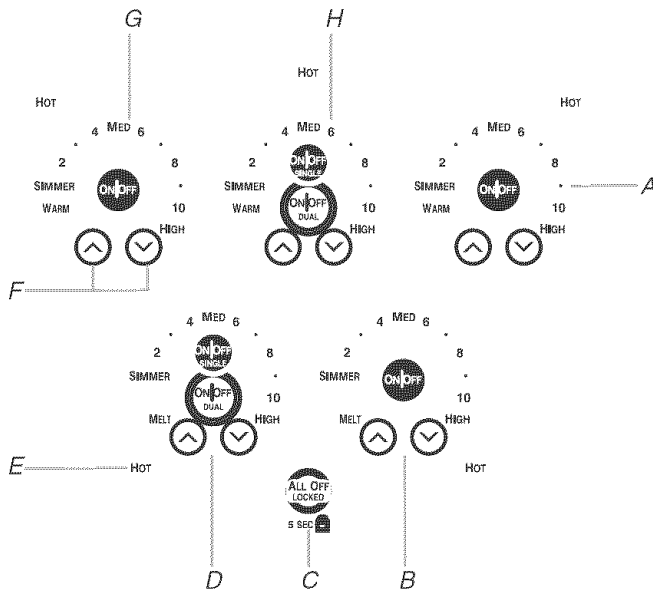
**CONSERVAR ESTAS INSTRUCCIONES**

# PIEZAS Y CARACTERÍSTICAS

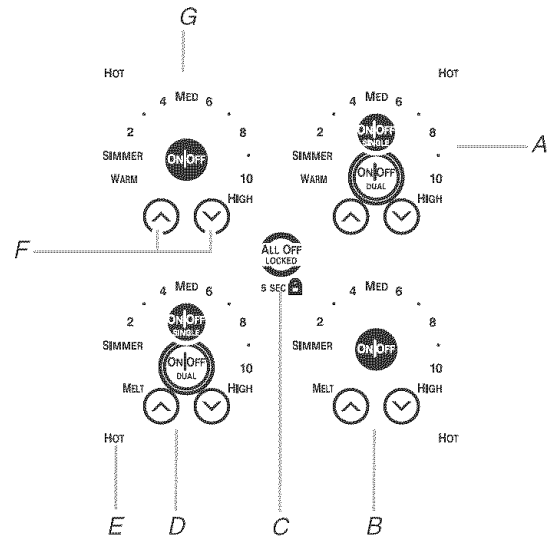
Este manual cubre varios modelos diferentes. La superficie de cocción que usted adquirió puede tener algunas o todas las características que aparecen a continuación. Es posible que la ubicación y la apariencia de las características que se muestran aquí no coincidan con su modelo.

## Paneles de control

### Modelos de 36"



### Modelos de 30"

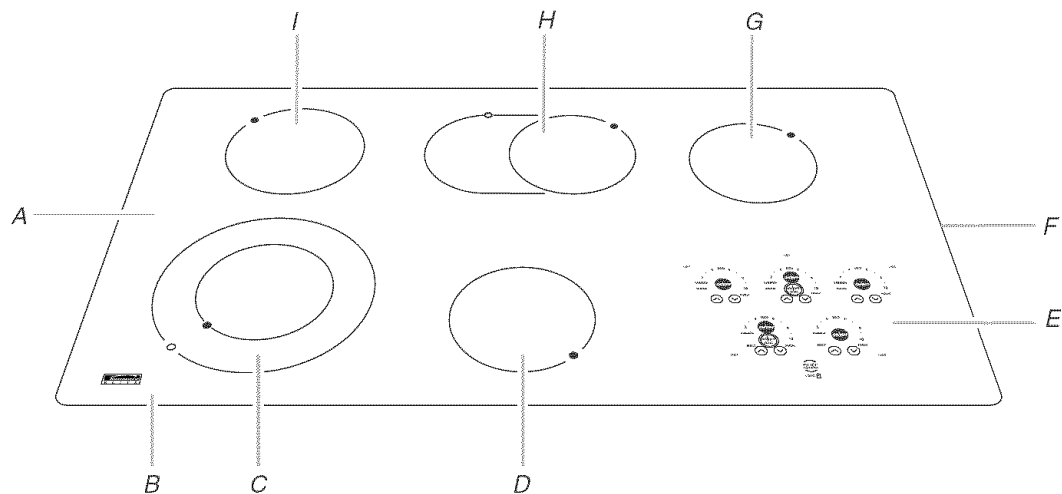


- A. Control táctil de la superficie de cocción trasera derecha (Función de mantener tibio)
- B. Control táctil de la superficie de cocción delantera derecha
- C. Bloqueo de control ALL/OFF (Todo/Apagado)

- D. Control táctil de la superficie de cocción delantera izquierda (Zona de cocción dual y función para derretir)
- E. Luces indicadoras de superficie caliente
- F. Control táctil para aumentar/disminuir la temperatura

- G. Control táctil de la superficie de cocción trasera izquierda (Función de mantener tibio)
- H. Control táctil de la superficie de cocción trasera derecha (Zona de cocción dual en los modelos de 36", Función de mantener tibio)

## Superficie de cocción (se muestra el modelo de 36")



- A. Superficie de cocción en vidrio de cerámica
- B. Placa del número de modelo y de serie (ubicada debajo de la superficie de cocción sobre el gabinete de metal)
- C. Área de cocción de la superficie delantera izquierda (con la zona de cocción dual)

- D. Área de cocción de la superficie delantera derecha
- E. Panel de control
- F. Ribete de acero inoxidable (en algunos modelos)
- G. Área de cocción de la superficie trasera derecha (con la zona de cocción dual en los modelos de 30")

- H. Área de cocción de la superficie trasera central (con la zona de cocción dual en los modelos de 36")
- I. Área de cocción de la superficie trasera izquierda



# USO DE LA SUPERFICIE DE COCCIÓN

## Controles táctiles de la superficie de cocción

### ⚠ ADVERTENCIA



#### Peligro de incendio

**Apague todos los controles cuando no esté cocinando.**

**No seguir esta instrucción puede ocasionar la muerte o incendio.**

Los controles táctiles de la superficie de cocción ofrecen una variedad de ajustes de calor para obtener óptimos resultados. Para el funcionamiento normal del elemento de la superficie de cocción, se pueden fijar los controles táctiles de la misma en cualquier posición entre SIMMER (Hervir a fuego lento) y HIGH (Alto).

Cuando esté derritiendo alimentos tales como chocolate o mantequilla, o cuando esté haciendo esponjar el pan, las áreas frontales derecha e izquierda de la superficie de cocción pueden fijarse en MELT (Derretir) para un funcionamiento mínimo del elemento.

Cuando desee que los líquidos hiervan rápido, para obtener un funcionamiento máximo del elemento todos los controles táctiles pueden fijarse en HIGH. Presione la flecha hacia “abajo” para alcanzar el ajuste HIGH de inmediato.

#### Cómo usar:

1. Presione ON/OFF (Encendido/apagado).
2. Presione la flecha hacia “arriba” o hacia “abajo” para aumentar o disminuir la intensidad.
3. Para elegir un nivel de intensidad entre HIGH y SIMMER, toque y sostenga cualquiera de las dos flechas hasta que alcance el nivel deseado.
4. Cuando haya terminado la cocción, presione ON/OFF para apagar individualmente el(las) área(s) de la superficie de cocción o toque ALL OFF para apagar todos los elementos a la vez.

Utilice la tabla siguiente como guía cuando fije los niveles de calor.

#### AJUSTE

#### USO RECOMENDADO

##### HIGH (Alto)

- Para comenzar a cocinar los alimentos.
- Para hacer hervir líquidos.

##### Medium High (Medio - alto) 10-6

- Para mantener un hervor rápido.
- Para dorar rápidamente o chamuscar los alimentos.

##### MED

##### Medium (Mediano) 6-4

- Para mantener un hervor lento.
- Para freír o sofreír los alimentos.
- Para cocer sopas y salsas.

##### Medium Low (Mediano baja) 4-2

- Para guisar o pasar los alimentos por vapor.
- Para hervir a fuego lento.

##### SIMMER (Hervir a fuego lento)

- Para proporcionar el ajuste de calor/hervor a fuego lento más bajo.

##### DUAL COOKING ZONE(S) (Zona(s) de cocción dual)

- Enlatado de alimentos caseros.
- Utensilio de cocina de diámetro grande.
- Grandes cantidades de alimentos.

##### MELT FUNCTION (Función para derretir los alimentos)

- Para derretir chocolate o mantequilla.

##### WARM FUNCTION (Función de mantener tibio)

- Para mantener los alimentos tibios.

**RECUERDE:** Cuando se esté usando la superficie de cocción, es posible que se caliente toda el área de la misma.

#### Luces indicadoras de superficie caliente

Las luces indicadoras de superficie caliente están ubicadas próximas a los controles táctiles de la superficie de cocción. Vea “Piezas y características”. Las luces indicadoras de superficie caliente se iluminarán durante todo el tiempo que cualquier área de la superficie de cocción esté muy caliente al tacto, aún después de que se apague el área(s) de la superficie de cocción. Si la superficie de cocción está encendida cuando haya un corte de corriente, y el corte de corriente es de menos de una hora, las luces indicadoras de la superficie caliente permanecerán encendidas después de que se haya reestablecido la corriente en la superficie de cocción. Permanecerán encendidas hasta que se haya enfriado completamente la superficie de cocción.

---

## ALL OFF (Todo apagado)

Los controles táctiles ALL OFF de la superficie de cocción apagan de una vez todas las áreas de la superficie de cocción que estén en uso.

---

## LOCKED (Bloqueado)

El control táctil LOCKED de la superficie de cocción evita el uso no intencional de las áreas de la superficie de cocción. Cuando la superficie de cocción esté bloqueada, las áreas de la superficie de cocción no podrán encenderse con los controles táctiles.

**Para bloquear la superficie de cocción:** Presione y sostenga el botón LOCKED por 5 segundos. Después de 5 segundos, se iluminará una luz roja encima del indicador de "ALL OFF LOCKED" (Todo apagado y bloqueado), lo cual indica que los controles están en la posición de bloqueo.

**Para desbloquear la superficie de cocción:** Presione y sostenga el botón LOCKED por 5 segundos.

---

## Vidrio radiante

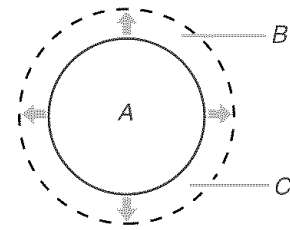
El área de la superficie de cocción se iluminará de rojo cuando esté encendido un elemento. Tendrá ciclos de encendido y apagado en todos los ajustes para mantener el nivel de calor seleccionado.

Es normal que parezca que la superficie de vidrio de cerámica blanco cambia de color cuando estén calientes las áreas de la superficie de cocción. El vidrio volverá a su color original a medida que se enfríe.

Para mantener la superficie de cocción sin manchas y proporcionar un calor uniforme, límpiela antes y después de cada uso. Para obtener mayor información, vea la sección "Limpieza general".

- No coloque tarros ni latas sobre la superficie de cocción. Si un objeto pesado o duro se cae sobre la superficie de cocción podría rajarla.
- No deje una tapa caliente sobre la superficie de cocción. A medida que se enfríe la superficie de cocción, el aire puede quedar atrapado entre la tapa y la superficie de cocción, y el vidrio de cerámica puede romperse cuando se quite la tapa.
- Limpie los derrames de azúcar y las manchas tan pronto como se apague la luz indicadora de superficie caliente. Si no se limpia mientras está tibia, puede picarse la superficie.
- No deslice utensilios de cocina o del horno sobre la superficie de cocción. Los fondos de aluminio o de cobre, así como los acabados ásperos de los utensilios de cocina o del horno podrían dejar rayas o marcas en la superficie de cocción.
- No cocine en la superficie de cocción las palomitas de maíz que vienen en recipientes previamente empaquetados en papel de aluminio. Esto podría dejar marcas de aluminio que no podrán ser quitadas por completo.

- No deje que los objetos que pueden derretirse, tales como plástico o papel de aluminio, toquen ninguna parte de toda la superficie de cocción.
- No use la superficie de cocción como una tabla de cortar.
- Utilice utensilios de cocina que tengan más o menos el mismo tamaño que el área de la superficie de cocción. Los utensilios de cocina no deberán extenderse más de 1" (2,5 cm) fuera del área.



A. Área de la superficie de cocción  
B. Utensilio de cocina/Instrumento para enlatado  
C. Saliente máxima de 1" (2,5 cm)

- Use utensilios de cocina con fondo plano para lograr la mejor conducción de calor y un uso eficiente de energía. Los utensilios de cocina con fondos redondeados, combados, con relieve o abollados pueden causar un calor no uniforme y resultados de cocción poco satisfactorios.
  - Determine lo plano colocando el borde derecho de una regla a lo largo del fondo del utensilio de cocina. Mientras rota la regla, no debe verse espacio ni luz entre la regla y el utensilio de cocina.
  - Pueden usarse utensilios de cocina con fondos ligeramente acanalados o estriados.
  - Asegúrese de que los fondos de las ollas y las cacerolas estén limpios y secos antes de usarlos. El agua y los residuos pueden dejar marcas cuando se calientan.
  - No cocine alimentos directamente sobre la superficie de cocción.
- 

## Zona(s) de cocción dual

La zona(s) de cocción dual le ofrece(n) flexibilidad según el tamaño del utensilio de cocción. El tamaño simple puede usarse de la misma manera que un elemento común. El tamaño dual combina los elementos simples y exteriores, así como también se recomienda para los utensilios de cocina de tamaño más grande.

Cuando use el elemento de tamaño simple, puede encender el elemento de tamaño dual y si lo necesita también puede cambiar nuevamente al elemento de tamaño simple.

### Para usar SINGLE (Simple):

1. Presione ON/OFF SINGLE (Simple encendido/apagado).
2. Presione la flecha hacia "arriba" o hacia "abajo" para aumentar o disminuir la intensidad.
3. Para elegir un nivel de intensidad entre HIGH y SIMMER, toque y sostenga cualquiera de las dos flechas hasta que alcance el nivel deseado.
4. Cuando haya terminado la cocción, presione ON/OFF SINGLE para apagar individualmente el(las) área(s) de la superficie de cocción o toque ALL OFF para apagar todos los elementos a la vez.

### Para usar DUAL:

1. Presione ON/OFF DUAL (Dual encendido/apagado).
2. Presione la flecha hacia “arriba” o hacia “abajo” para aumentar o disminuir la intensidad.
3. Para elegir un nivel de intensidad entre HIGH y SIMMER, toque y sostenga cualquiera de las dos flechas hasta que alcance el nivel deseado.
4. Cuando haya terminado la cocción, presione ON/OFF DUAL para apagar individualmente el(las) área(s) de la superficie de cocción o toque ALL OFF para apagar todos los elementos a la vez.

### Función para derretir

La función para derretir está disponible en los elementos frontales delanteros derecho e izquierdo y es ideal para derretir chocolate o mantequilla.

#### Cómo usar:

1. Presione ON/OFF.
2. Presione la flecha hacia “arriba” una vez para MELT (Derretir).
3. Cuando haya terminado la cocción presione ON/OFF para apagar el área de la superficie de cocción.

### Función para mantener tibio

## ⚠ ADVERTENCIA

#### Peligro de Intoxicación Alimentaria

**No deje sus alimentos en el horno por más de una hora antes o después de su cocción.**

**No seguir esta instrucción puede ocasionar intoxicación alimentaria o enfermedad.**

La función para mantener tibio está disponible en los elementos traseros y puede usarse para mantener los alimentos cocidos calientes. Puede usarse sin importar que las otras zonas de cocción de la superficie estén o no encendidas.

No se recomienda para calentar alimentos fríos. Cuando la función para mantener tibio se esté usando, no se iluminará de rojo como las zonas de cocción pero se iluminará la luz indicadora en el panel de control.

Use solamente utensilios de cocina y platos recomendados para usarse en el horno y en la superficie de cocción, que tengan fondos planos para hacer contacto directo con la superficie de cocción. Use agarraderas para ollas o guantes para horno para remover el utensilio de cocina.

Cubra todos los alimentos con una tapa o con papel de aluminio. No use envoltorio de plástico para cubrir los alimentos, ya que puede derretirse sobre la superficie de cocción. Cuando caliente alimentos horneados, deje una abertura en la tapa para que salga la humedad.

Si los alimentos permanecen en la función para mantener tibio por largos períodos de tiempo, es posible que se deteriore la calidad de los mismos. Para obtener los mejores resultados, mantenga los alimentos tibios por no más de 30 a 45 minutos.

#### Cómo usar:

1. Presione ON/OFF.
2. Presione la flecha hacia “arriba” una vez para WARM (Tibio).
3. Cuando haya terminado la cocción presione ON/OFF para apagar el área de la superficie de cocción.

### Preparación de alimentos caseros enlatados

Cuando esté haciendo enlatados por largos períodos, alterne y use las áreas, los elementos o los quemadores de la superficie de cocción entre una tanda y otra. Esto le da tiempo a que se enfrién las áreas que se han usado recientemente.

- Centre el enlatador sobre la rejilla o sobre el área o el elemento más grande de la superficie de cocción. Los enlatadores no deberán extenderse más de 1" (2,5 cm) por fuera del área de cocción.
- No coloque el enlatador sobre dos áreas, elementos o quemadores de la superficie de cocción al mismo tiempo.
- Use solamente enlatadores con fondo plano.
- Para obtener mayor información, póngase en contacto con U.S. Government Agricultural Department Extension Office (Oficina de extensión del departamento de agricultura del gobierno de los Estados Unidos) más cercana a su localidad. También pueden ofrecer ayuda las compañías que fabrican productos para enlatado casero.

### Utensilios de cocina

**IMPORTANTE:** No deje un utensilio de cocina vacío sobre un área, elemento o quemador caliente de la superficie de cocción.

El utensilio de cocina ideal deberá tener un fondo plano, lados rectos, una tapa que encaje bien y el material debe ser de un grosor mediano a pesado.

Los acabados ásperos pueden rayar la superficie de cocción. El aluminio y el cobre pueden usarse como centro o base en el utensilio de cocina. Sin embargo, cuando se use como base puede dejar marcas permanentes en la superficie de cocción.

El material de los utensilios de cocina es un factor que influye en la rapidez y la uniformidad como se transmite el calor, lo que afecta los resultados de cocción. Un acabado no adherente tiene las mismas características que su material de base. Por ejemplo, un utensilio de cocina de aluminio con un acabado no adherente tendrá las mismas propiedades que el aluminio.

Utilice la siguiente tabla como guía para ver las características de los materiales de los utensilios de cocina.

UTENSILIO DE COCINA	CARACTERÍSTICAS
<b>Aluminio</b>	<ul style="list-style-type: none"> <li>■ Se calienta de manera rápida y uniforme.</li> <li>■ Sirve para todos los tipos de cocción.</li> <li>■ Es mejor que sea de espesor mediano o pesado para cumplir mejor con las funciones de cocción.</li> </ul>
<b>Hierro fundido</b>	<ul style="list-style-type: none"> <li>■ Se calienta de manera lenta y uniforme.</li> <li>■ Es bueno para dorar y freír.</li> <li>■ Mantiene el calor para una cocción lenta.</li> </ul>
<b>Cerámica o vidrio de cerámica</b>	<ul style="list-style-type: none"> <li>■ Siga las instrucciones del fabricante.</li> <li>■ Calienta de manera lenta pero no uniforme.</li> <li>■ Da los mejores resultados en los ajustes de calor bajo a medio.</li> </ul>
<b>Cobre</b>	<ul style="list-style-type: none"> <li>■ Se calienta de manera rápida y uniforme.</li> </ul>
<b>Barro cocido</b>	<ul style="list-style-type: none"> <li>■ Siga las instrucciones del fabricante.</li> <li>■ Use en los ajustes de calor bajo.</li> </ul>
<b>Hierro fundido o esmalte de porcelana en acero fundido</b>	<ul style="list-style-type: none"> <li>■ Vea acero inoxidable o hierro fundido.</li> </ul>
<b>Acero inoxidable</b>	<ul style="list-style-type: none"> <li>■ Se calienta de manera rápida pero no uniforme.</li> <li>■ Un centro o base de aluminio o cobre sobre acero inoxidable proporciona un calor uniforme.</li> </ul>

## CUIDADO DE LA SUPERFICIE DE COCCIÓN

### Limpieza general

**IMPORTANTE:** Antes de la limpieza, asegúrese de que todos los controles estén apagados, y que el horno y la superficie de cocción estén fríos. Siempre siga las instrucciones que vienen en las etiquetas de los productos de limpieza.

En primer lugar se sugiere el empleo de jabón, agua y una esponja o paño suave, a menos que se indique lo contrario.

### ACERO INOXIDABLE (en algunos modelos)

No use estropajos que vienen con jabón, productos de limpieza abrasivos, crema para pulir la superficie de cocción, estropajos de metal, paños ásperos o ciertas toallas de papel. Pueden ocurrir daños.

Frote en la dirección del hilo para evitar que se dañe.

- Limpiador de Acero Inoxidable (no incluido): Vea la contraportada para información sobre pedidos.
- Detergente líquido o producto de limpieza general: Enjuague con agua limpia y seque con un paño suave sin pelusas.
- Vinagre para manchas de agua dura.

### VIDRIO RADIANTE

No use productos de limpieza de fibra metálica, limpiadores abrasivos en polvo, blanqueador con cloro, disolvente de óxido o amoníaco ya que pueden dañar el vidrio.

Limpie siempre con un paño limpio y húmedo y seque meticulosamente para evitar el veteado o las manchas.

La crema para limpiar la superficie de cocción provista con su superficie de cocción deberá usarse regularmente para prevenir las rayaduras, el picado y las abrasiones y también para acondicionar la superficie de cocción. Puede comprarse como un juego junto con la espátula de la superficie de cocción. Cuando vuelva a encargarla, pida el número de reserva 22-364-WX10X117.

Se recomienda también el uso de la esponja de fregar azul 3M SCOTCH-BRITE® que no raye, suministrada con su superficie de cocción, para suciedad rebelde. Esta almohadilla está especialmente diseñada para mantener su vidrio radiante limpio. No use esta almohadilla para limpiar otras superficies.

Para suciedad rebelde también se recomienda un raspador para superficies de cocción, y se puede pedir como accesorio. Cuando ordene, pida el número de reserva 22-364-WX10X302. El raspador para superficies de cocción tiene cuchillas filosas.

**Guarde las cuchillas filosas fuera del alcance de los niños.**

### Suciedad entre ligera y moderada

- Toallas de papel o esponja de fregar azul 3M SCOTCH-BRITE® que no raye: Limpie mientras la superficie de cocción aún esté caliente. Sería aconsejable que use guantes de hornear mientras realiza la limpieza.

### Derrames azucarados (jaleas, caramelos, almíbar)

- Esponja de fregar azul 3M SCOTCH-BRITE® que no raye: Limpie mientras la superficie de cocción aún esté caliente. Sería aconsejable que use guantes de hornear mientras realiza la limpieza.
- Raspador para superficies de cocción, crema de limpieza para superficies de cocción y toalla de papel limpia y húmeda: Limpie tan pronto como la superficie de cocción se haya enfriado. Frote la crema sobre la superficie con una toalla de papel húmeda o un paño suave. Continúe frotando hasta que la película blanca desaparezca.

### Suciedad profunda, vetas oscuras, manchitas y decoloración

- Raspador para superficies de cocción, crema de limpieza para superficies de cocción o producto de limpieza no abrasivo: Frote el producto sobre la suciedad con una toalla de papel húmeda o un paño suave. Continúe frotando hasta que la película blanca desaparezca.

### Suciedad quemada

- Crema de limpieza para superficies de cocción y esponja de fregar azul 3M SCOTCH-BRITE® que no raye: Frote la crema sobre la suciedad con una toalla de papel húmeda. Repita el procedimiento en las manchas rebeldes. Sáquele brillo a toda la superficie de cocción con la crema y la toalla de papel.

### Marcas metálicas de aluminio y cobre

- Crema de limpieza para superficies de cocción: Limpie tan pronto como la superficie de cocción se haya enfriado. Frote la crema sobre la superficie con una toalla de papel húmeda o un paño suave. Continúe frotando hasta que la película blanca desaparezca. Las marcas no desaparecerán por completo, pero luego de muchas limpiezas se harán menos notorias.

### Rayones y raspaduras diminutos

- Crema de limpieza para superficies de cocción: Frote la crema sobre la superficie con una toalla de papel húmeda o un paño suave. Continúe frotando hasta que la película blanca desaparezca. Los rayones y las raspaduras no afectan el rendimiento de cocción y luego de muchas limpiezas se hacen menos notorios.

## SOLUCIÓN DE PROBLEMAS

Primero pruebe las soluciones sugeridas aquí para evitar el costo innecesario del servicio.

### Nada funciona

- **¿Se ha cableado debidamente la superficie de cocción?** Para obtener más información vea las Instrucciones de instalación.
- **¿Se ha quemado el fusible de la casa o se ha disparado el disyuntor?** Reemplace el fusible o arregle el cortacircuito.

### La superficie de cocción no funciona

- **¿Se ha ajustado correctamente el control de la superficie de cocción?** Presione ON/OFF (Encendido/Apagado) antes de seleccionar un ajuste.
- **En modelos con vidrio de cerámica, ¿se ha fijado el bloqueo de la superficie de cocción "ALL OFF LOCKED" (Todo apagado y bloqueado)?** Vea las secciones "ALL OFF" (Todo apagado) o "LOCKED" (Bloqueado).

### Hay demasiado calor alrededor de los utensilios de cocina sobre la superficie de cocción

- **¿Son los utensilios de cocina del tamaño correcto?** Use utensilios de cocina que sean más o menos del mismo tamaño que el área, el elemento o el quemador de la superficie de cocción. Los utensilios no deben extenderse más de 1" (2,5 cm) por fuera del área de la superficie de cocción.

### Hay luces que destellan en la superficie de cocción

- **¿Hay luces que se encienden y se apagan sobre la superficie de cocción?**
  1. Asegúrese de que los controles de la superficie de cocción estén en OFF (Apagado).
  2. Limpie profundamente el panel táctil de control de la superficie de cocción. Vea la sección "Limpieza general".
  3. Si continúan destellando las luces de la superficie de cocción, desconecte el suministro eléctrico o desenchufe la superficie de cocción.
  4. Reconecte el suministro de energía o enchufe la superficie de cocción después de unos segundos.
  5. Si las luces continúan encendiéndose y apagándose, llame para solicitar servicio.

### Los resultados de cocción de la superficie de cocción no son los que se esperaban

- **¿Se ha usado el utensilio de cocina adecuado?** Vea la sección "Utensilios de cocina".
- **¿Se ha fijado el control táctil de la superficie de cocción en el nivel de calor adecuado?** Consulte la sección "Controles táctiles de la superficie de cocción".
- **¿Está nivelado el electrodoméstico?** Nivele el electrodoméstico. Consulte las Instrucciones de instalación.



# CONTRATS DE PROTECTION

## Aux États-Unis

### Contrats principaux de protection

Nous vous félicitons d'avoir fait un achat judicieux. Votre nouveau produit Kenmore® est conçu et fabriqué pour vous procurer des années de fonctionnement fiable. Mais comme pour tous les produits, il pourra à l'occasion nécessiter un entretien préventif ou une réparation. Le cas échéant, un Contrat principal de protection peut vous épargner de l'argent et des soucis.

*Souscrivez dès maintenant un Contrat principal de protection et protégez-vous contre les dépenses et ennuis inattendus.*

Le Contrat principal de protection contribue aussi à prolonger la vie utile de votre nouveau produit. Voici ce qui est inclus dans le contrat :

- ✓ **Service expert** par nos 12 000 réparateurs professionnels
- ✓ **Service illimité et sans frais** pour les pièces et la main-d'œuvre pour toutes les réparations couvertes
- ✓ **Garantie "Anti-citron"** - remplacement de votre produit couvert si quatre pannes ou plus se produisent en deçà de douze mois
- ✓ **Remplacement du produit** si votre produit couvert ne peut être réparé
- ✓ **Vérification annuelle d'entretien préventif** sur demande - sans frais supplémentaires
- ✓ **Aide rapide au téléphone** - assistance téléphonique fournie par un technicien de Sears pour les produits réparables à domicile, plus un horaire de réparation commode
- ✓ **Protection contre les sautes de puissance** pour prévenir les dommages attribuables aux fluctuations de courant
- ✓ **Remboursement de location** si la réparation prend plus de temps que promis

Dès que vous souscrivez le Contrat, il suffit d'un simple appel téléphonique pour obtenir un rendez-vous de service. Vous pouvez appeler en tout temps jour et nuit ou prendre un rendez-vous de service en ligne.

Sears compte plus de 12 000 réparateurs professionnels qui ont accès à plus de 4,5 millions de pièces et accessoires de qualité. C'est le genre de professionnalisme sur lequel vous pouvez compter pour aider à prolonger la vie de votre nouvel achat pendant des années. Achetez votre Contrat principal de protection aujourd'hui même!

**Certaines limitations et exclusions s'appliquent. Pour des prix et renseignements supplémentaires, composer le 1-800-827-6655.**

### Service d'installation Sears

Pour l'installation professionnelle par Sears d'appareils ménagers, d'ouvre-portes de garage, de chauffe-eau et d'autres articles importants de la maison, aux É.-U. composer le **1-800-4-MY-HOME®**.

## Au Canada

### Contrats d'entretien

Votre achat a plus de valeur parce que vous pouvez compter sur Sears HomeCentral® pour le service. Avec plus de 2400 spécialistes formés et l'accès à plus d'un million de pièces et accessoires, nous avons les outils et les pièces ainsi que les connaissances et compétences pour remplir cette promesse que nous vous faisons : Nous assurons le service de nos produits.

Votre produit Kenmore® est conçu, fabriqué et vérifié pour qu'il puisse vous fournir de nombreuses années de service en toute confiance. Cependant, tout produit peut nécessiter des interventions de service de temps à autre. Le contrat d'entretien Sears vous offre un programme de service remarquable à un prix abordable.

### Le contrat d'entretien Sears

- Constitue une manière d'acheter un service pour demain au prix d'aujourd'hui
- Élimine les factures pour les réparations imputables à l'usure normale
- Fournit un support téléphonique assuré par un technicien de chez Sears pour les produits nécessitant une réparation à domicile
- Même si vous n'avez pas besoin de réparations, comprend une inspection annuelle d'entretien préventif (sur votre demande) pour maintenir votre appareil en bon état de fonctionnement

**Certaines limitations s'appliquent. Pour plus de renseignements concernant les contrats d'entretien de Sears Canada, composer le 1-800-361-6665.**

# GARANTIE

## GARANTIE COMPLÈTE DE UN AN SUR LES PIÈCES DE LA TABLE DE CUISSON

Pendant un an à compter de la date d'achat, lorsque cette table de cuisson est installée et utilisée conformément aux Instructions d'installation et au Guide d'utilisation et d'entretien, Sears réparera ou remplacera sans frais les pièces de cette table de cuisson, à sa discrétion, s'il existe des défauts de matériaux ou de fabrication.

## GARANTIE ADDITIONNELLE LIMITÉE DE QUATRE ANS SUR LES PIÈCES DE LA TABLE DE CUISSON

De la deuxième à la cinquième année inclusivement à compter de la date d'achat, lorsque la table de cuisson est installée et utilisée conformément aux Instructions d'installation et au Guide d'utilisation et d'entretien, Sears fournira sans frais les pièces pour la table de cuisson si elles sont défectueuses pour les raisons indiquées ci-dessous. Les frais de main-d'oeuvre pour l'installation sont à la charge du client.

- Défectuosité de la table de cuisson en vitrocéramique due à un choc thermique.
- Défectuosité d'un des éléments de cuisson.

Sears ne prendra pas en charge :

- Les défauts du produit s'il fait l'objet d'abus, de mésusage ou d'utilisation autre que celle pour laquelle il est destiné.
- La table de cuisson en vitrocéramique endommagée par l'utilisation de produits de nettoyage ou d'ustensiles autres que la crème nettoyante et les outils recommandés.
- La table de cuisson en vitrocéramique endommagée par des renversements durcis de produits à base de sucre (y compris l'amidon des légumes et des pâtes) ou du plastique fondu nettoyés autrement que selon les directives du Guide d'utilisation et d'entretien. - Les réparations aux pièces ou systèmes résultant d'une modification non autorisée faite à l'appareil.

## RESTRICTION DES GARANTIES

Si la table de cuisson est soumise à une utilisation autre que pour une famille privée, la garantie ci-dessus est en vigueur pendant 90 jours seulement.

## SERVICE AU TITRE DE LA GARANTIE

LE SERVICE DE GARANTIE EST DISPONIBLE DU CENTRE DE SERVICE SEARS LE PLUS PROCHE AUX ÉTATS-UNIS OU AU CANADA.

LE SERVICE DE GARANTIE EST DISPONIBLE EN COMMUNIQUANT AVEC SEARS AU **1-800-4-MY-HOME**®.

Cette garantie vous confère des droits juridiques spécifiques et vous pouvez également jouir d'autres droits qui peuvent varier d'un État ou d'une province à l'autre.

**Sears, Roebuck and Co.**  
**D/817WA, Hoffman Estates, IL 60179**  
**Sears Canada Inc.**  
**Toronto, Ontario Canada M5B 2B8**

## ENREGISTREMENT DU PRODUIT

Dans l'espace ci-dessous, inscrire les numéros de modèle et de série complets et la date d'achat. Cette information se trouve sur la plaque signalétique des numéros de modèle et de série située à l'endroit indiqué dans la section Pièces et caractéristiques de ce manuel. Ayez cette information à portée de la main pour obtenir rapidement assistance ou service lorsque vous contactez Sears au sujet de votre appareil ménager.

Numéro de modèle 665.

Numéro de série \_\_\_\_\_

Date d'achat \_\_\_\_\_  
Conservez ces instructions et votre reçu de vente pour référence ultérieure.

# SÉCURITÉ DE LA TABLE DE CUISSON

## Votre sécurité et celle des autres est très importante.

Nous donnons de nombreux messages de sécurité importants dans ce manuel et sur votre appareil ménager. Assurez-vous de toujours lire tous les messages de sécurité et de vous y conformer.



Voici le symbole d'alerte de sécurité.

Ce symbole d'alerte de sécurité vous signale les dangers potentiels de décès et de blessures graves à vous et à d'autres.

Tous les messages de sécurité suivront le symbole d'alerte de sécurité et le mot "DANGER" ou "AVERTISSEMENT". Ces mots signifient :

**! DANGER**

**Risque possible de décès ou de blessure grave si vous ne suivez pas immédiatement les instructions.**

**! AVERTISSEMENT**

**Risque possible de décès ou de blessure grave si vous ne suivez pas les instructions.**

Tous les messages de sécurité vous diront quel est le danger potentiel et vous disent comment réduire le risque de blessure et ce qui peut se produire en cas de non-respect des instructions.



# IMPORTANTES INSTRUCTIONS DE SÉCURITÉ

**AVERTISSEMENT** : Pour réduire le risque d'incendie, de choc électrique, de blessures ou de dommages lors de l'utilisation de la table de cuisson, observer les précautions élémentaires suivantes, y compris ce qui suit :

- **MISE EN GARDE** : Ne pas remiser dans les armoires au-dessus d'une table de cuisson, des articles que des enfants pourraient vouloir atteindre. Les enfants pourraient se brûler ou se blesser en grim pant sur la table de cuisson.
  - Installation appropriée – S'assurer que la table de cuisson est correctement installée et reliée à la terre par un technicien qualifié.
  - Ne jamais utiliser la table de cuisson pour réchauffer ou chauffer la pièce.
  - Ne pas laisser les enfants seuls – Les enfants ne doivent pas être laissés seuls ou sans surveillance dans la pièce où la table de cuisson est en service. Ne jamais laisser les enfants s'asseoir ou se tenir sur une partie quelconque de la table de cuisson.
  - Porter des vêtements appropriés – Des vêtements amples ou détachés ne doivent jamais être portés pendant l'utilisation de la table de cuisson.
  - Entretien par l'utilisateur – Ne pas réparer ou remplacer toute pièce de la table de cuisson si ce n'est pas spécifiquement recommandé dans le manuel. Toute autre opération d'entretien ou de réparation doit être confiée à un technicien qualifié.
  - Remisage sur la table de cuisson – Des matériaux inflammables ne doivent pas être remisés près des éléments à la surface.
  - Ne pas utiliser d'eau sur un feu de graisse – Éteindre le feu ou la flamme ou utiliser un extincteur à produits chimiques secs ou à mousse.
  - N'utiliser que des mitaines de four sèches – Des mitaines de four mouillées ou humides sur des surfaces chaudes peuvent provoquer des brûlures provenant de la vapeur. Ne pas laisser les mitaines de four toucher les éléments chauffants. Ne pas utiliser une serviette ou autre tissu épais.
  - **NE PAS TOUCHER LES ÉLÉMENTS À LA SURFACE OU L'ESPACE PRÈS DES ÉLÉMENTS** – Les éléments de surface peuvent être chauds même lorsqu'ils ont une teinte foncée. Les endroits près des éléments à la surface peuvent devenir assez chauds pour provoquer des brûlures. Pendant et après l'utilisation, ne pas toucher les éléments chauffants et ne pas laisser les vêtements ou autres matériaux inflammables entrer en contact avec ces éléments de surface ou les endroits près des éléments, avant qu'ils soient suffisamment refroidis. Ces endroits comprennent la table de cuisson et les surfaces près de la table de la cuisson.
  - Utiliser des ustensiles de format approprié – La table de cuisson est munie d'un ou de plusieurs éléments chauffants de différentes grandeurs. Choisir les ustensiles qui ont un fond plat assez grand pour couvrir l'élément chauffant de la surface de cuisson. L'utilisation d'ustensiles trop petits exposera une partie de l'élément chauffant, ce qui peut provoquer l'inflammation des vêtements. L'utilisation d'un récipient de format correct améliore l'efficacité de la cuisson.
  - Ne jamais laisser les éléments de la table de cuisson sans surveillance alors qu'ils chauffent à la puissance maximale – Il pourrait en résulter une ébullition qui cause de la fumée et des renversements de corps gras qui peuvent s'enflammer.
  - Ustensiles de cuisson vitrifiés – Seulement certains types d'ustensiles de verre, vitrocéramique, céramique, faïence ou autres surfaces vitrifiées conviennent pour le service sur une table de cuisson, sans bris attribuables aux changements soudains de température.
  - Les poignées des ustensiles doivent être tournées vers l'intérieur et non vers le dessus des éléments adjacents – Pour réduire les risques de brûlures, d'inflammation de produits combustibles et de renversements dus à l'entrechoquement non intentionnel des ustensiles, la poignée d'un ustensile doit être positionnée de sorte qu'elle est tournée vers l'intérieur et non au-dessus des éléments de surface adjacents.
  - Ne pas faire cuire sur une table de cuisson endommagée – Si la table de cuisson est brisée, les solutions de nettoyage et les renversements peuvent pénétrer dans la table brisée et créer le risque d'un choc électrique. Contacter immédiatement un technicien qualifié.
  - Nettoyer la table de cuisson avec prudence – Si une éponge ou un chiffon mouillé est utilisé pour essuyer les renversements sur une surface de cuisson chaude, éviter les brûlures causées par la vapeur chaude. Certains nettoyants peuvent produire des émanations désagréables lorsqu'ils sont utilisés sur une surface chaude.
- Pour les appareils avec hotte de ventilation –**
- Nettoyer les hottes de ventilation fréquemment – La graisse ne doit pas s'accumuler sur la hotte ou le filtre.
  - Lorsque vous flambez des aliments sous la hotte, mettre le ventilateur en marche.
- Pour les appareils à éléments en spirale –**
- S'assurer que les cuvettes de propreté sont en place – L'absence de ces cuvettes au cours de la cuisson peut causer des dommages aux fils ou aux composants en dessous des éléments.
  - Garnissages protecteurs – Ne pas recouvrir les cuvettes de papier d'aluminium sauf tel que suggéré dans le manuel. L'installation incorrecte de papier d'aluminium ou autre matériau peut causer un risque de choc électrique ou d'incendie.
  - Ne pas tremper les éléments de chauffage amovibles – Les éléments de chauffage ne doivent jamais être immergés dans l'eau.

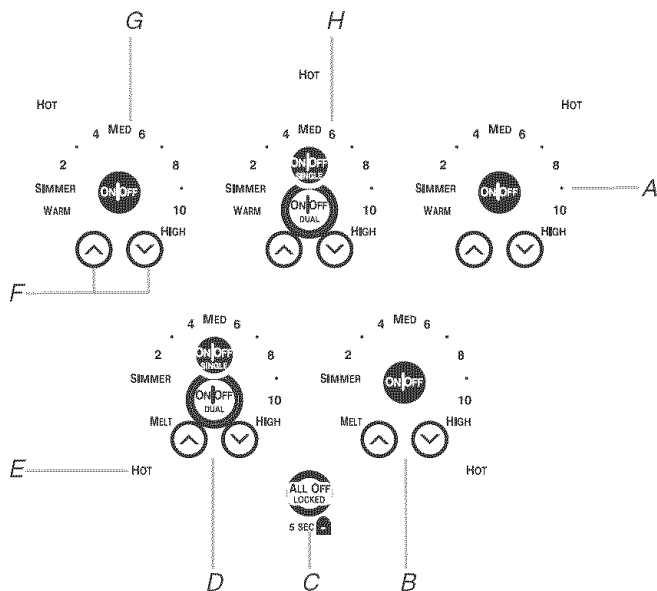
**CONSERVEZ CES INSTRUCTIONS**

# PIÈCES ET CARACTÉRISTIQUES

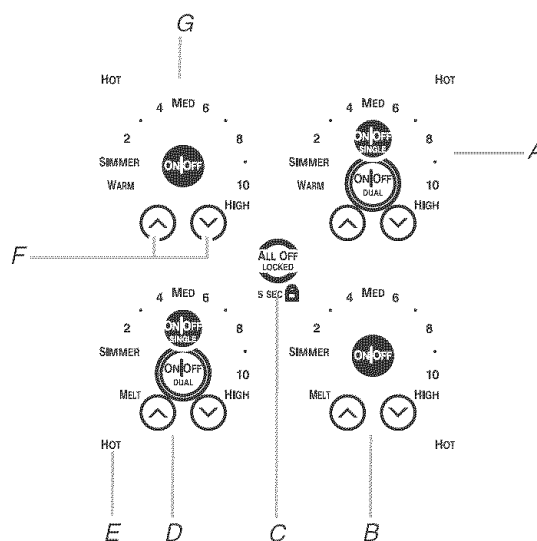
Ce manuel couvre différents modèles. La table de cuisson que vous avez achetée peut comporter quelques-uns ou tous les articles énumérés. L'emplacement et l'apparence des caractéristiques illustrées peuvent être différents de ceux de votre modèle.

## Tableaux de commande

### Modèles de 36"



### Modèles de 30"

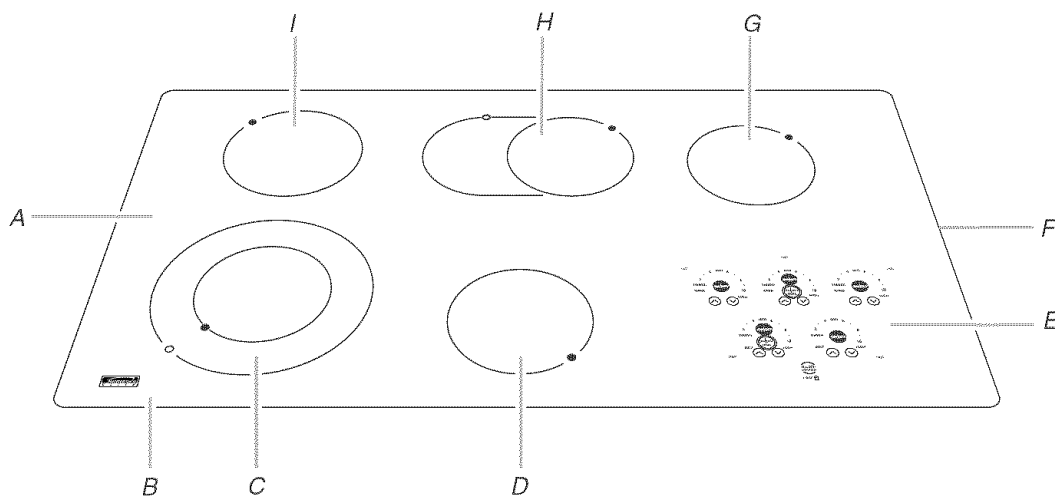


- A. Commande tactile arrière droite de la table de cuisson (Fonction Warm/maintien au chaud)
- B. Commande tactile avant droite de la table de cuisson
- C. Verrouillage des commandes ALL/OFF

- D. Commande tactile avant gauche de la table de cuisson (Zone double de cuisson, Fonction Melt/fondre)
- E. Témoins lumineux de surface chaude
- F. Commande tactile d'augmentation/diminution de la température

- G. Commande tactile arrière gauche de la table de cuisson (Fonction Warm)
- H. Commande tactile arrière droite de la table de cuisson (Zone double de cuisson sur les modèles de 36", Fonction Warm)

## Table de cuisson (illustration : modèle de 36")



- A. Table de cuisson en vitrocéramique
- B. Plaque signalétique de numéro de modèle et de série (située sous la table de cuisson sur la caisse en métal)
- C. Zone de cuisson à la surface avant gauche (avec zone double de cuisson)

- D. Zone de cuisson à la surface avant droite
- E. Tableau de commande
- F. Garniture en acier inoxydable (sur certains modèles)
- G. Zone de cuisson à la surface arrière droite (avec zone double de cuisson sur les modèles de 30")

- H. Zone de cuisson à la surface arrière centrale (avec zone double de cuisson sur les modèles de 36")
- I. Zone de cuisson à la surface arrière gauche

# UTILISATION DE LA TABLE DE CUISSON

## Commandes tactiles de la table de cuisson

**⚠ AVERTISSEMENT**



**Risque d'incendie**

**Fermer tous les réglages lorsque la cuisson est terminée.**

**Le non-respect de cette instruction peut causer un décès ou un incendie.**

Les commandes tactiles de la table de cuisson offrent une grande variété de réglages de chaleur pour des résultats de cuisson optimaux. Pour un fonctionnement normal de l'élément de cuisson à la surface, les commandes tactiles de la table de cuisson peuvent être réglées n'importe où entre SIMMER (mijotage) et HIGH (élevé).

Lorsqu'on fait fondre des aliments comme du chocolat ou du beurre, ou lorsqu'on fait lever du pain, les zones de cuisson à la surface avant droite et gauche peuvent être réglées à MELT (fondre) pour un fonctionnement minimal de l'élément.

Pour un fonctionnement maximal de l'élément, toutes les commandes tactiles de la table de cuisson peuvent être réglées à HIGH (élevé) lorsqu'on porte un liquide à ébullition rapidement. Appuyer sur la flèche "vers le bas" pour atteindre immédiatement le réglage HIGH (élevé).

### Utilisation :

1. Appuyer sur ON/OFF (marche/arrêt).
2. Appuyer sur la flèche "vers le haut" ou "vers le bas" pour augmenter ou diminuer la puissance.
3. Pour sélectionner un niveau de puissance entre HIGH et SIMMER, appuyer sur une des flèches jusqu'à ce que le niveau désiré soit atteint.
4. À la fin de la cuisson, appuyer sur ON/OFF pour éteindre la ou les zone(s) de cuisson à la surface individuellement, ou appuyer sur ALL OFF (toutes commandes éteintes) pour éteindre tous les éléments en même temps.

Utiliser le tableau suivant comme guide lors du réglage des niveaux de chaleur.

RÉGLAGE	UTILISATION RECOMMANDÉE
<b>HIGH (élevé)</b>	<ul style="list-style-type: none"><li>■ Pour commencer la cuisson des aliments.</li><li>■ Pour porter un liquide à ébullition.</li></ul>
<b>Medium High (moyen - élevé)</b> 10-6	<ul style="list-style-type: none"><li>■ Pour maintenir une ébullition rapide.</li><li>■ Pour brunir ou saisir rapidement les aliments.</li></ul>
<b>MED</b> <b>Medium (moyen)</b> 6-4	<ul style="list-style-type: none"><li>■ Pour maintenir une ébullition lente.</li><li>■ Pour frire ou sauter les aliments.</li><li>■ Pour cuire les soupes et les sauces.</li></ul>
<b>Medium Low (moyen - mijotage)</b> 4-2	<ul style="list-style-type: none"><li>■ Pour faire mijoter ou étuver les aliments.</li><li>■ Mijotage</li></ul>
<b>SIMMER (mijotage)</b>	<ul style="list-style-type: none"><li>■ Fournit le réglage le plus bas de mijotage/chaleur.</li></ul>
<b>ZONE(S) DE CUISSON DOUBLE</b>	<ul style="list-style-type: none"><li>■ Préparation de conserves à la maison.</li><li>■ Ustensile de cuisson à grand diamètre.</li><li>■ Grandes quantités de nourriture.</li></ul>
<b>FONCTION MELT (fondre)</b>	<ul style="list-style-type: none"><li>■ Pour faire fondre le chocolat ou le beurre.</li></ul>
<b>FONCTION WARM (maintien au chaud)</b>	<ul style="list-style-type: none"><li>■ Pour maintenir au chaud les aliments cuits.</li></ul>

**N'OUBLIEZ PAS :** Quand l'appareil est utilisé, toute la surface de la table de cuisson peut devenir chaude.

### Témoins lumineux de surface chaude

Les témoins lumineux de surface chaude sont situés près de chaque commande tactile de la table de cuisson. Voir la section "Pièces et caractéristiques". Les témoins de surface chaude restent allumés tant qu'une surface de cuisson est trop chaude pour être touchée, même après que la ou les surfaces de cuisson sont éteintes.

Si la table de cuisson est en marche lors d'une panne de courant, et si la panne de courant dure moins d'une heure, les témoins lumineux de surface chaude restent allumés une fois que le courant est restauré. Ils resteront allumés jusqu'à ce que la table de cuisson refroidisse complètement.

---

## ALL OFF (toutes commandes éteintes)

Les commandes tactiles ALL OFF de la table de cuisson éteignent toutes les zones de cuisson à la surface qui sont utilisées en même temps.

---

## LOCKED (verrouillage)

La commande à tactile LOCKED de la table de cuisson prévient l'utilisation non intentionnelle des zones de cuisson à la surface. Lorsque la table de cuisson est verrouillée, les zones de cuisson à la surface ne peuvent pas être allumées grâce aux commandes tactiles de la table de cuisson.

**Pour verrouiller la table de cuisson :** Appuyer sur la touche LOCKED (verrouillage) pendant 5 secondes. Au bout de 5 secondes, un témoin lumineux s'affichera en rouge au-dessus du témoin "ALL OFF LOCKED" (toutes commandes éteintes - verrouillage), indiquant que les commandes tactiles de la table de cuisson sont en position verrouillée.

**Pour déverrouiller la table de cuisson :** Appuyer sur la touche LOCKED (verrouillage) pendant 5 secondes.

---

## Verre radiant

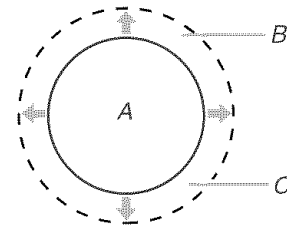
La zone de cuisson à la surface est rouge lorsqu'un élément est allumé. Elle fonctionnera par intermittence, à tous les réglages, pour maintenir le niveau de chaleur sélectionné.

Il est normal que la surface de vitrocéramique blanche semble changer de couleur lorsque les zones de cuisson à la surface sont chaudes. Lorsque le verre refroidit, il revient à sa couleur d'origine.

Essuyer la table de cuisson avant et après chaque utilisation aidera à la conserver sans taches et fournira un chauffage homogène. Voir la section "Nettoyage général" pour plus de renseignements.

- Ne pas ranger de bocaux ou de boîtes de conserve au-dessus de la table de cuisson. La chute d'un objet lourd ou dur sur la table de cuisson pourrait la fissurer.
- Ne pas laisser un couvercle chaud sur la table de cuisson. Lorsque la table de cuisson refroidit, de l'air peut s'accumuler entre le couvercle et la table de cuisson, et la vitrocéramique pourrait se casser lorsqu'on enlève le couvercle.
- Nettoyer les taches et renversements de substances sucrées dès que le témoin lumineux de surface chaude s'éteint. Si l'on n'essuie pas la surface pendant qu'elle est encore chaude, des piqûres de corrosion peuvent survenir.
- Ne pas faire glisser des ustensiles de cuisson sur la table de cuisson. Les fonds en aluminium ou en cuivre et les finis rugueux des ustensiles de cuisson pourraient laisser des égratignures ou des marques sur la table de cuisson.
- Ne pas faire cuire sur la table de cuisson du maïs soufflé dans des récipients préemballés en aluminium. Cela pourrait laisser des marques d'aluminium qui ne peuvent être complètement enlevées.

- Ne pas laisser des objets qui pourraient fondre, comme du plastique ou du papier aluminium, toucher une partie quelconque de la table de cuisson.
- Ne pas utiliser la table de cuisson comme planche à découper.
- Utiliser des ustensiles de cuisson de la même taille environ que la zone de cuisson à la surface. L'ustensile de cuisson ne doit pas dépasser de plus de 1" (2,5 cm) de la zone de cuisson.



A. Zone de cuisson à la surface  
B. Ustensiles de cuisson/autoclave  
C. Dépassement maximum de 1" (2,5 cm)

- Utiliser des ustensiles de cuisson à fond plat pour une meilleure conduction de la chaleur et une meilleure utilisation de l'énergie. Les ustensiles de cuisson à fond arrondi, déformé, cannelé ou bosselé pourraient causer un chauffage inégal et de mauvais résultats de cuisson.
  - Vérifier que le récipient est plat en plaçant le bord plat d'une règle en travers du fond du récipient. Lorsque l'on fait tourner la règle, aucun espace ni aucune lumière ne devrait être visible entre celle-ci et le récipient.
  - Les ustensiles de cuisson à fond légèrement cannelé ou à petites stries permettant l'expansion peuvent être utilisés.
  - S'assurer que les fonds des casseroles et poêles sont propres et secs avant de les utiliser. Les résidus et l'eau peuvent laisser des dépôts quand ils sont chauffés.
  - Ne pas faire cuire d'aliments directement sur la table de cuisson.
- 

## Zone(s) double(s) de cuisson

La ou les zone(s) double(s) de cuisson offre(nt) une souplesse d'utilisation en fonction de la taille de l'ustensile de cuisson. La dimension simple peut être utilisée de la même manière qu'un élément ordinaire. La dimension double combine l'élément simple et l'élément externe; elle est recommandée pour les ustensiles de cuisson de plus grande dimension.

Lorsqu'on utilise l'élément de dimension simple, l'élément de dimension double peut être allumé n'importe quand, et il est possible de retourner à l'élément de dimension simple si besoin est.

### Utilisation de l'élément SIMPLE :

1. Appuyer sur ON/OFF SINGLE (simple marche/arrêt).
2. Appuyer sur la flèche "vers le haut" ou "vers le bas" pour augmenter ou diminuer la puissance.
3. Pour sélectionner un niveau de puissance entre HIGH et SIMMER, appuyer sur une des flèches jusqu'à ce que le niveau désiré soit atteint.
4. À la fin de la cuisson, appuyer sur ON/OFF SINGLE pour éteindre la ou les zone(s) de cuisson à la surface individuellement, ou appuyer sur ALL OFF (toutes commandes éteintes) pour éteindre tous les éléments en même temps.

### Utilisation de l'élément DOUBLE :

1. Appuyer sur ON/OFF DUAL (double marche/arrêt).
2. Appuyer sur la flèche "vers le haut" ou "vers le bas" pour augmenter ou diminuer la puissance.
3. Pour sélectionner un niveau de puissance entre HIGH et SIMMER, appuyer sur une des flèches jusqu'à ce que le niveau désiré soit atteint.
4. À la fin de la cuisson, appuyer sur ON/OFF DUAL pour éteindre la ou les zone(s) de cuisson à la surface individuellement, ou appuyer sur ALL OFF (toutes commandes éteintes) pour éteindre tous les éléments en même temps.

### Fonction Melt (fondre)

La fonction Melt est disponible sur les éléments avant droit et gauche, et est idéale pour faire fondre du chocolat ou du beurre.

#### Utilisation :

1. Appuyer sur ON/OFF (marche/arrêt).
2. Appuyer sur la flèche "vers le haut" une fois pour obtenir la fonction MELT (fondre).
3. À la fin de la cuisson, appuyer sur ON/OFF (marche/arrêt) pour éteindre la zone de cuisson à la surface.

### Fonction Warm (maintien au chaud)

## AVERTISSEMENT

#### Risque d'empoisonnement alimentaire

**Ne pas laisser des aliments dans un four plus d'une heure avant ou après la cuisson.**

**Le non-respect de cette instruction peut causer un empoisonnement alimentaire ou une maladie.**

La fonction Warm est disponible sur les éléments arrière, et peut être utilisée pour maintenir des aliments cuits au chaud; elle peut être utilisée à tout moment, que les zones de cuisson à la surface soient utilisées ou non.

Cette caractéristique n'est pas recommandée pour faire chauffer des aliments froids. Lorsqu'on utilise la fonction Warm, le témoin lumineux ne sera pas rouge comme les zones de cuisson, mais il s'allumera sur le tableau de commande.

Utiliser seulement les ustensiles et plats recommandés pour l'utilisation au four et sur la table de cuisson, et qui ont un fond plat pour être directement en contact avec la surface de la table de cuisson. Utiliser des mitaines de four ou des poignées pour retirer les ustensiles.

Couvrir tous les aliments avec un couvercle ou du papier d'aluminium. Ne pas utiliser de pellicule de plastique pour couvrir les aliments car elle pourrait fondre sur la surface de la table de cuisson. Lors du réchauffage de produits de boulangerie, prévoir une petite ouverture pour laisser l'humidité s'échapper.

La qualité des aliments peut se détériorer si on les laisse sur la fonction Keep Warm (maintien au chaud) pendant une longue période. Pour obtenir les meilleurs résultats, ne pas garder les aliments au chaud plus de 30 à 45 minutes.

#### Utilisation :

1. Appuyer sur ON/OFF (marche/arrêt).
2. Appuyer sur la flèche "vers le haut" une fois pour obtenir la fonction WARM (maintien au chaud).
3. À la fin de la cuisson, appuyer sur ON/OFF (marche/arrêt) pour éteindre la zone de cuisson à la surface.

### Préparation de conserves à la maison

Lors de la préparation de conserves pendant de longues périodes, alterner l'utilisation des surfaces de cuisson, des éléments ou des brûleurs de surface entre les quantités préparées. Cette alternance permet aux dernières surfaces utilisées de refroidir.

- Centrer l'autoclave sur la grille ou la plus grande surface de cuisson ou sur le plus grand élément. L'autoclave ne doit pas dépasser de plus de 1" (2,5 cm) de la surface de cuisson.
- Ne pas placer l'autoclave sur deux surfaces de cuisson, deux éléments ou deux brûleurs de surface à la fois.
- N'utiliser que des autoclaves à fond plat.
- Pour plus de renseignements, aux É.-U., contacter le bureau local du Département de l'Agriculture. Au Canada, contacter Agriculture Canada. Les compagnies qui fabriquent des produits pour la préparation de conserves peuvent aussi offrir de l'aide.

### Ustensiles de cuisson

**IMPORTANT :** Ne pas laisser d'ustensile de cuisson vide sur une surface de cuisson, un élément ou un brûleur de surface chauds.

Les ustensiles de cuisson idéals doivent avoir un fond plat, des parois droites, un couvercle qui ferme bien et le matériau doit être d'épaisseur moyenne à forte.

Les finis rugueux peuvent égratigner la table de cuisson. L'aluminium et le cuivre peuvent être utilisés comme fond ou base d'un ustensile de cuisson. Toutefois, lorsqu'ils sont utilisés comme base, ils peuvent laisser des marques permanentes sur la surface de cuisson.

Le matériau d'un ustensile a une influence sur la rapidité et l'uniformité de la transmission de la chaleur, lesquelles contribuent aux résultats de cuisson. Un fini antiadhésif a les mêmes caractéristiques que son matériau de base. Par exemple, un ustensile de cuisson en aluminium avec un fini antiadhésif aura les propriétés de l'aluminium.

Utiliser le tableau suivant comme guide pour les caractéristiques du matériau d'ustensile de cuisson.

USTENSILE	CARACTÉRISTIQUES
Aluminium	<ul style="list-style-type: none"><li>■ Chauffe rapidement et uniformément.</li><li>■ Convient à tous les genres de cuisson.</li><li>■ L'épaisseur moyenne ou forte convient le mieux pour la plupart des tâches de cuisson.</li></ul>
Fonte	<ul style="list-style-type: none"><li>■ Chauffe lentement et uniformément.</li><li>■ Convient pour le brunissage et la friture.</li><li>■ Maintient la chaleur pour une cuisson lente.</li></ul>
Céramique ou vitrocéramique	<ul style="list-style-type: none"><li>■ Suivre les instructions du fabricant.</li><li>■ Chauffe lentement, mais inégalement.</li><li>■ Les meilleurs résultats sont obtenus avec les réglages de chaleur basse à moyenne.</li></ul>
Cuivre	<ul style="list-style-type: none"><li>■ Chauffe très rapidement et uniformément.</li></ul>
Terre cuite	<ul style="list-style-type: none"><li>■ Suivre les instructions du fabricant.</li><li>■ Utiliser des réglages de température basse.</li></ul>
Acier émaillé en porcelaine ou fonte émaillée	<ul style="list-style-type: none"><li>■ Voir acier inoxydable ou fonte.</li></ul>
Acier inoxydable	<ul style="list-style-type: none"><li>■ Chauffe rapidement, mais inégalement.</li><li>■ Un fond ou une base d'aluminium ou de cuivre sur l'acier inoxydable procure un chauffage uniforme.</li></ul>

## ENTRETIEN DE LA TABLE DE CUISSON

### Nettoyage général

**IMPORTANT :** Avant le nettoyage, s'assurer que toutes les commandes sont éteintes et que le four et la table de cuisson sont froids. Toujours suivre les instructions sur les étiquettes des produits de nettoyage.

Du savon, de l'eau et un chiffon doux ou une éponge sont recommandés à moins d'indication contraire.

### ACIER INOXYDABLE (sur certains modèles)

Ne pas utiliser de tampons de récurage savonneux, nettoyeurs abrasifs, crème à polir pour table de cuisson, tampons en laine d'acier, chiffons de lavage rudes ou certains essuie-tout. Des dommages peuvent survenir.

Frotter dans la direction du grain pour éviter les dommages.

- Nettoyant et poli pour acier inoxydable (non compris) : Voir la couverture arrière pour obtenir des informations relatives à la commande.
- Détergent liquide ou nettoyant tout-usage : Rincer à l'eau propre et sécher avec un chiffon doux sans charpie.
- Vinaigre pour les taches d'eau dure.

### VERRE RADIANT

Ne pas utiliser de laine d'acier, de poudre à récurer abrasive, d'eau de Javel, de produit de décapage de la rouille ou d'ammoniaque. Des dommages peuvent survenir.

Toujours essuyer avec un linge propre mouillé et sécher à fond pour prévenir les rayures et les taches.

La crème de nettoyage pour table de cuisson fournie avec votre table de cuisson devrait être utilisée régulièrement pour aider à prévenir les égratignures, les piqûres et les abrasions, et à entretenir la table de cuisson. On peut se la procurer en trousse avec le grattoir pour table de cuisson. Demander le numéro de stock 22-364-WX10X117 lorsqu'on passe une commande à nouveau.

Une éponge à gratter douce bleue SCOTCH-BRITE® 3M fournie avec votre table de cuisson est également recommandée pour traiter les taches tenaces. Ce tampon est spécialement conçu pour garder le verre radiant propre. Ne pas utiliser ce tampon pour nettoyer toute autre surface.

Un grattoir pour table de cuisson est aussi recommandé pour les taches tenaces et peut être commandé comme accessoire. Demander le numéro de stock 22-364-WX10X302 lorsqu'on passe une commande. Le grattoir pour table de cuisson utilise des lames de rasoir. **Ranger les lames de rasoir hors de portée des enfants.**

### Souillure légère à modérée

- Essuie-tout ou éponge à gratter douce bleue SCOTCH-BRITE® 3M : Nettoyer pendant que la table de cuisson est encore tiède. Vous devriez porter des mitaines de four pour ce nettoyage.

### Renversements de matières sucrées (gelées, confiseries, sirop)

- Éponge à gratter douce bleue SCOTCH-BRITE® 3M : Nettoyer pendant que la table de cuisson est encore tiède. Vous devrez porter des mitaines de four pour ce nettoyage.
- Grattoir pour table de cuisson, crème de nettoyage pour table à cuisson et essuie-tout propre et humide : Nettoyer dès que la table de cuisson a refroidi. Frotter la crème sur la surface avec un essuie-tout ou un linge doux humide. Continuer de frotter jusqu'à ce que la pellicule blanche disparaisse.

### Souillure épaisse, rayures foncées, piqûres et décoloration

- Grattoir pour table de cuisson, crème de nettoyage pour table de cuisson ou produit de nettoyage non abrasif : Frotter le produit dans la souillure avec un essuie-tout ou un linge doux humide. Continuer de frotter jusqu'à ce que la pellicule blanche disparaisse.

### Souillure cuite

- Crème de nettoyage pour table de cuisson et éponge à gratter douce bleue SCOTCH-BRITE® 3M : Frotter la crème sur la souillure avec un essuie-tout humide. Répéter pour les taches tenaces. Polir toute la table de cuisson avec la crème et un essuie-tout.

### Marques métalliques provenant de l'aluminium et du cuivre

- Crème à polir pour table de cuisson : Nettoyer dès que la table de cuisson a refroidi. Frotter la crème sur la surface avec un essuie-tout ou un linge doux humide. Continuer de frotter jusqu'à ce que la pellicule blanche disparaisse. Les marques ne disparaîtront pas totalement, mais après plusieurs nettoyages, elles deviendront moins apparentes.

### Petites éraflures et abrasions

- Crème à polir pour table de cuisson : Frotter la crème sur la surface avec un essuie-tout ou un linge doux humide. Continuer de frotter jusqu'à ce que la pellicule blanche disparaisse. Les éraflures et les abrasions n'affectent pas le rendement et après plusieurs nettoyages, elles deviendront moins apparentes.

## DÉPANNAGE

Essayer d'abord les solutions suggérées ici afin d'éviter le coût d'une visite de service non nécessaire.

### Rien ne fonctionne

- **La table de cuisson est-elle convenablement raccordée?** Voir les Instructions d'installation pour plus de renseignements.
- **Un fusible est-il grillé ou le disjoncteur s'est-il ouvert?** Remplacer le fusible ou remettre le disjoncteur en fonction.

### La table de cuisson ne fonctionne pas

- **La commande de la table de cuisson est-elle bien réglée?** Appuyer sur ON/OFF (marche/arrêt) avant de sélectionner un réglage.
- **Sur les modèles à vitrocéramique, le verrouillage de la table de cuisson "ALL OFF LOCKED" est-il réglé?** Voir les sections "ALL OFF" (toutes commandes éteintes) ou "LOCKED" (verrouillage).

### Chaleur excessive autour des ustensiles de cuisson sur la table de cuisson

- **L'ustensile de cuisson est-il de dimension appropriée?** Utiliser un ustensile de cuisson à peu près de la même dimension que la surface de cuisson, l'élément ou le brûleur de surface. L'ustensile de cuisson ne doit pas dépasser de plus de 1" (2,5 cm) hors de la surface de cuisson.

### La table de cuisson comporte des témoins lumineux clignotants

- **Y a-t-il des témoins lumineux sur la table de cuisson qui s'allument et s'éteignent par intermittence?**
  1. S'assurer que les commandes de la table de cuisson sont sur OFF (arrêt).
  2. Bien nettoyer le tableau de commande tactile de la table de cuisson. Voir la section "Nettoyage général".
  3. Si les témoins lumineux de la table de cuisson continuent de clignoter, déconnecter la source de courant électrique ou débrancher la table de cuisson.
  4. Au bout de quelques secondes, reconnecter la source de courant électrique ou brancher la table de cuisson.
  5. Si les témoins lumineux continuent de clignoter, faire un appel de service.

### Les résultats de cuisson de la table de cuisson ne sont pas les résultats prévus

- **Utilise-t-on les ustensiles de cuisson appropriés?** Voir la section "Ustensiles de cuisson".
- **La commande tactile de la table de cuisson est-elle réglée au niveau approprié de chaleur?** Voir la section "Commandes tactiles de la table de cuisson".
- **L'appareil est-il d'aplomb?** Mettre l'appareil d'aplomb. Voir les instructions d'installation.

# Get it fixed, at your home or ours!

## Your Home

For repair – **in your home** – of **all** major brand appliances, lawn and garden equipment, or heating and cooling systems, **no matter who made it, no matter who sold it!**

For the replacement parts, accessories and owner's manuals that you need to do-it-yourself.

For Sears professional installation of home appliances and items like garage door openers and water heaters.

**1-800-4-MY-HOME®** (1-800-469-4663)

Call anytime, day or night (U.S.A. and Canada)

[www.sears.com](http://www.sears.com)    [www.sears.ca](http://www.sears.ca)

## Our Home

For repair of carry-in items like vacuums, lawn equipment, and electronics, call or go on-line for the location of your nearest **Sears Parts & Repair Center.**

**1-800-488-1222**

Call anytime, day or night (U.S.A. only)

[www.sears.com](http://www.sears.com)

To purchase a protection agreement (U.S.A.) or maintenance agreement (Canada) on a product serviced by Sears:

**1-800-827-6655** (U.S.A.)

**1-800-361-6665** (Canada)

Para pedir servicio de reparación a domicilio, y para ordenar piezas:

**1-888-SU-HOGAR<sup>SM</sup>**

(1-888-784-6427)

Au Canada pour service en français:

**1-800-LE-FOYER<sup>MC</sup>**

(1-800-533-6937)

[www.sears.ca](http://www.sears.ca)

