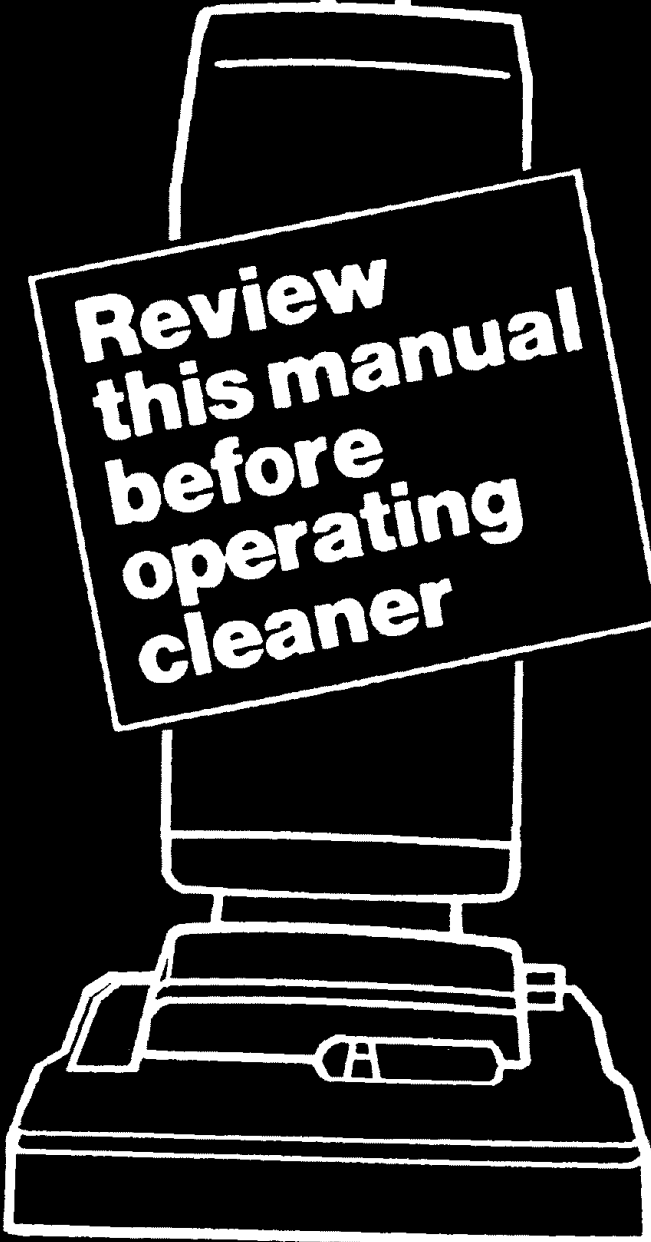


HOOVER®
Innovation™
Vacuum
Cleaner

U4231/33
R2



**Review
this manual
before
operating
cleaner**



Fill in and retain!

The vacuum cleaner you have just purchased is a combination cleaner. It is used for carpet and rug cleaning and may be used with cleaning tools for other tasks.

The model and serial number appear on the back of the cleaner hood,

For your personal records, please enter the COMPLETE model and serial number in the spaces provided below and retain in a safe place.

Your cleaner is model _____

and has serial number _____

It is suggested that you attach your sales receipt to this owner's manual. Verification of date of purchase may be required for warranty service of your Hoover product.

Save!

Index

Assembling Cleaner. 5
Cleaner Description and Unpacking 3,4
Energy Saving Tips 18
How to Use	
Cleaning Tools. 9-10
Special Features 7-9
Upright Cleaner. 5-7
If You Have a Problem 19
Important Safeguards 2
Lubrication 18
Maintenance	
Authorized Service 19
Clearing Obstructions 13
Replacing Belts 15-17
Replacing Agitator Brush Roll 17
Replacing Headlight. 13-14
Replacing Throw Away Bag 11-12



Important Safeguards!

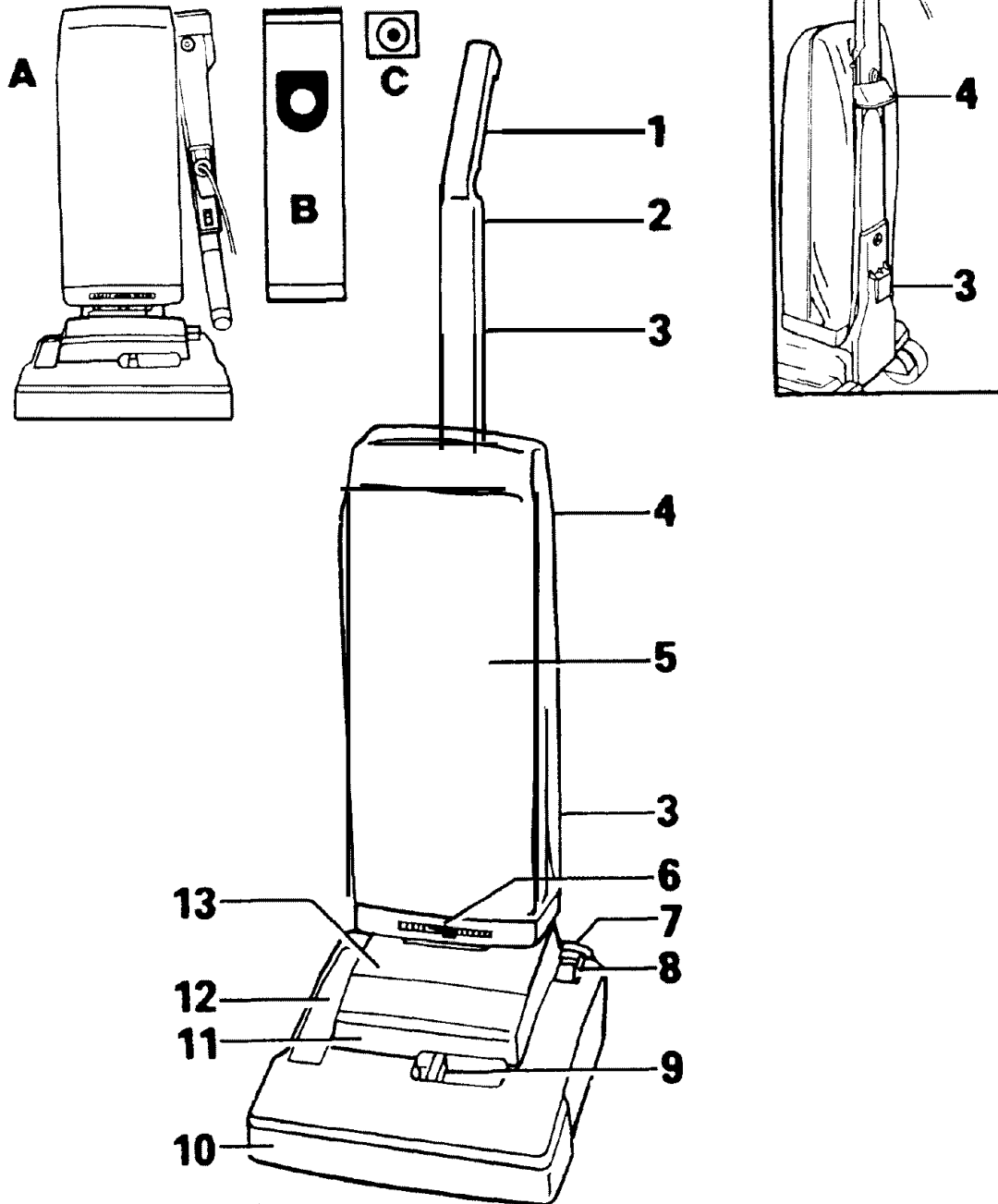
- Read all instructions before using this appliance,
- **Warning:** Electric shock could occur if used outdoors or on wet surfaces.
- Close supervision is necessary when any appliance is used by or near children. Do not allow vacuum cleaner to be used as a toy or to run unattended at any time.
- Keep hands, feet, loose clothing, and hair away from rotating agitator. Do not operate cleaner in bare feet or when wearing open toe shoes or sandals.
- Do not pull or carry by cord, use cord as a handle, close a door on cord or pull cord around sharp edges or corners. Do not run appliance over cord. Keep cord away from heated surfaces.
- Do not use cleaner to pick up matches, or live ashes and cigarette butts.
- Never vacuum in the presence of flammable or combustible liquids or fumes.
- Avoid picking up hard, sharp objects with the cleaner. They may damage the cleaner and the bag.
- Unplug cleaner when not in use. Turn off all controls before unplugging.
- Always disconnect cord from electrical outlet before servicing the cleaner.
- Change bag frequently when picking up very fine materials such as powder. Do not use without dust bag and/or filters in place.
- Use extra care when cleaning on stairs.
- Grasp the plug to disconnect from wall outlet to avoid damage to cord, plug, prongs. or receptacle. Never handle plug or appliance with wet hands.
- The use of an extension cord is not recommended.
- Do not use with damaged cord or plug. If appliance is not working as it should, has been dropped, damaged, left outdoors, or dropped into water, take it to a Hoover Factory Service Center or Authorized Hoover Warranty Service Dealer.
- Use vacuum cleaner only for its intended use as described in this owner's manual. Use only attachments recommended by The Hoover Company; others may cause hazards.

Save these instructions!

Unpacking

Unpack the cleaner from the carton and identify the parts shown. Remove and dispose of the cardboard packing.

- A. Cleaner assembly
- B. Throw away bag
- C. Air freshener disc



The cleaner assembled will look like the drawing below.

After identifying each part, begin assembling cleaner.

1. **Handle**
 2. **ON-OFF-POWER SURGE™ switch**
 3. **Cord storage hooks:** wrap cord around hooks for storage. The top cord storage hook can be rotated right or left for easy cord release.
 4. **Carrying handle:** located on back of handle section.
 5. **Cloth outer bag**
 6. **Air freshener control:** move control to the left to increase fragrance or to the right to decrease fragrance.
 7. **Handle release lever:** step on lever to lower handle to Operating and Low position. Whenever handle is placed in upright position, agitator will automatically shut off.
 8. **Agitator drive pedal:** push pedal forward to turn agitator off for “Hard Floor” setting; push pedal forward a second time to turn agitator on for “Carpet”.
- NOTE: The cleaner is shipped with pedal on “Hard Floor” setting. Change setting to clean carpet.
9. **Carpet height adjustment:** slide nozzle control knob to correct setting for height of carpet pile being cleaned.
 10. **Furniture guard:** helps prevent cleaner from marking furniture.
 11. **Headlight**
 12. **Tool converter door:** press down on rear section to open for attaching tool converter.
 13. **Hood**

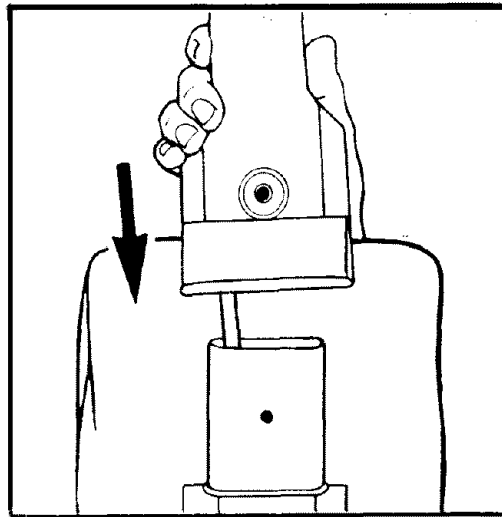
Operate cleaner only at voltage specified on data plate on back of cleaner hood.

Assembling cleaner

Attach handle

Remove screw from lower handle section. Lift attached handle section and align with lower handle section. Push upper handle section firmly onto lower section.

Insert screw into handle sections and **tighten securely**.



Insert air freshener disc

For instructions on inserting air-freshener disc, see "Special features" section.

How to use

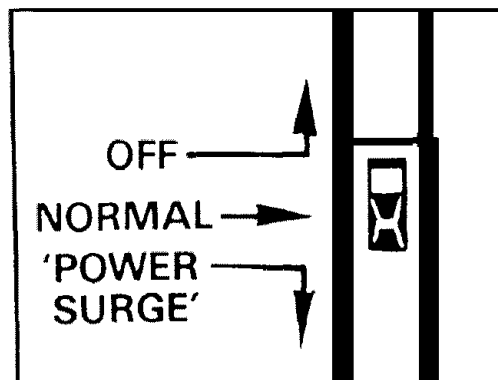
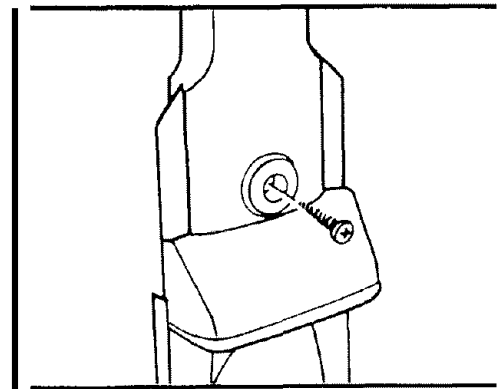
ON-OFF 'POWER SURGE' switch

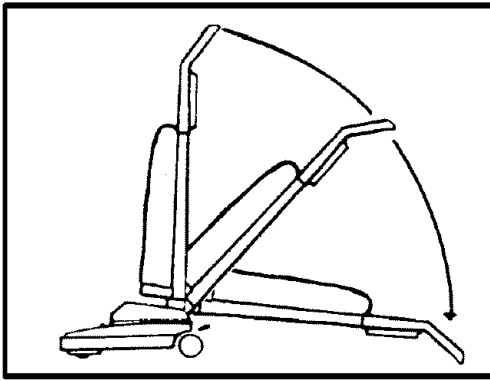
Operate your cleaner at normal speed by pushing the switch down one position. To turn cleaner off, push switch up.

Normal Speed is to be used for regular cleaning of carpet and rugs and when using cleaning tools.

Your cleaner is also equipped with a 'Power Surge' switch. When the switch is pushed down as far as possible it is in the 'Power Surge' speed.

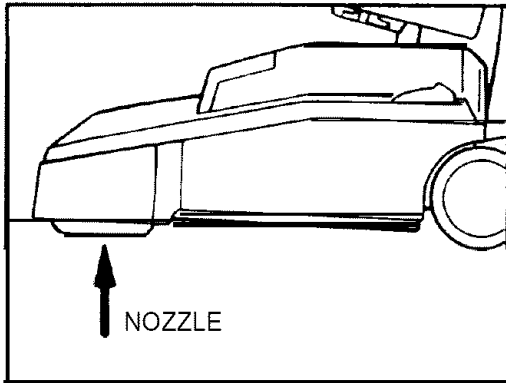
'Power Surge' Speed is to be used for extra cleaning power on a heavily soiled area of carpet. Slide the switch down as far as possible and hold it in that position to engage the 'Power Surge' speed. When the switch is released, it will return to the **NORMAL** speed position.





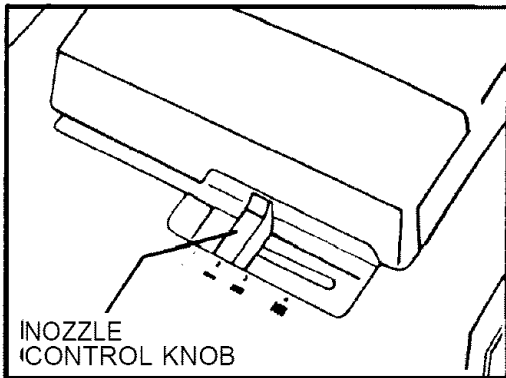
Handle positions

The handle of your cleaner has three positions: **upright** for storage and when using tools (agitator is automatically turned off); **operating** for general operation on carpet and floors; low for reaching under low furniture. Press handle release lever to lower the handle.



Carpet height adjustment

The cleaning of carpet and rugs takes place at the nozzle.



It is necessary to raise and lower the nozzle for various carpet pile heights, by sliding the nozzle control knob to the correct setting for the carpet being cleaned. For ease in sliding knob tilt the cleaner forward.

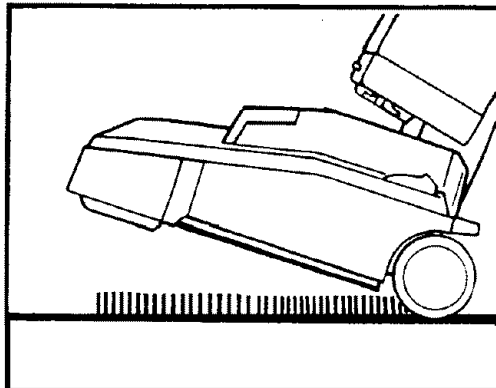
1 —	for low pile and kitchen carpet
2 uuuu	for carpet with normal pile height and for removing loose dirt from hard surface floors
3 UUUU	for carpet with normal pile height but thicker density
4 UUUU	for very long or shag pile carpet

Select the correct setting for the carpet pile height according to this chart.

Note: If the cleaner is difficult to push, move the nozzle control knob to a higher setting.

Cleaning lightweight flexible rugs

Stand on one end of rug and move cleaner toward other end or edge. Before reaching edge, push down on the handle. This will lift up the nozzle (front of cleaner) and will prevent rug from clinging to cleaner. Continue to lift up nozzle so that when you have reached the edge, it is completely off the rug. Move cleaner back to start again, lower the nozzle, and use only forward strokes.

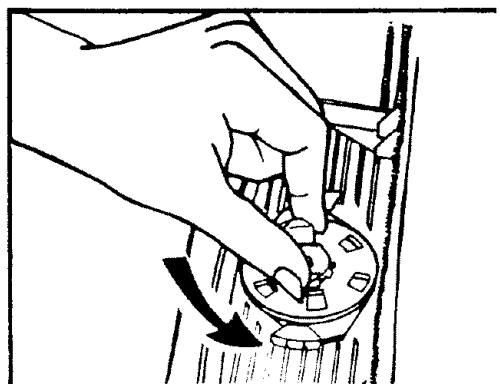


Special features

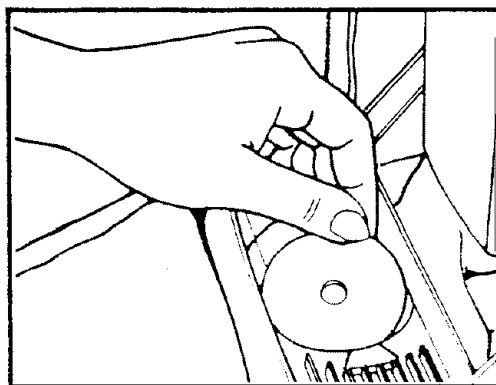
Air freshener dispenser

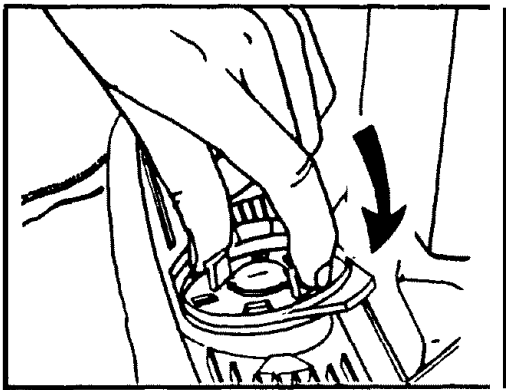
The air freshener dispenser on your cleaner is designed to release a pleasant fragrance as you clean. A HOOVER air freshener disc has been packed with your cleaner. To insert the disc, unzip the outer bag and lift up lower part of throw away bag.

Remove cover of disc holder at bottom of bag cavity by grasping tabs on holder, turning counter-clockwise and lifting up.

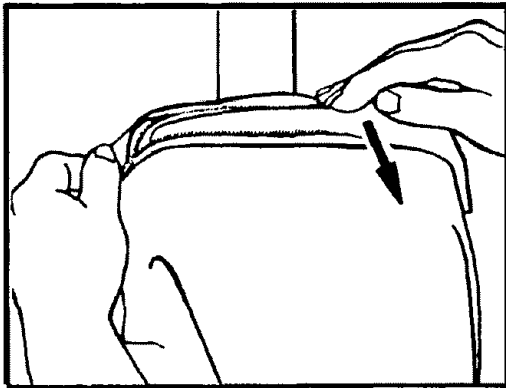


Remove disc from the package and place it in the recessed area.

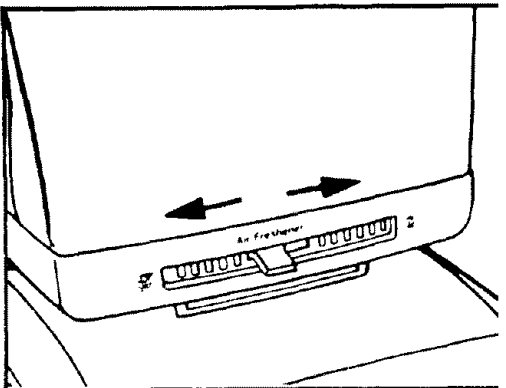






Replace cover, aligning center opening with shaft and lock by turning clockwise.



Zip outer bag, depressing spring loaded cap.



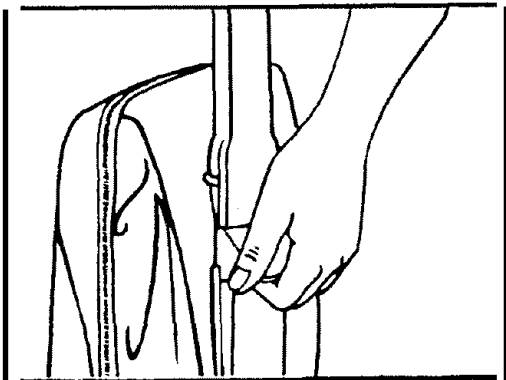
The amount of fragrance released is regulated by the air freshener control on the front of the cleaner. Move the control to the left  to increase the fragrance or to the right  to decrease it.

Use only HOOVER disc refills to be assured of proper fit, compatibility and performance of your Hoover cleaner.

Air freshener discs may be obtained from your local authorized Hoover dealer, a Hoover Factory Service Center, or by using the mail order form packed with your cleaner.

Carrying handle

Your cleaner has a convenient carrying handle located on the back of the lower handle.

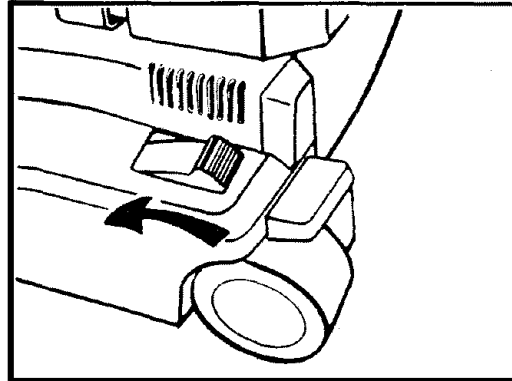


Edge cleaning

Brushed edge cleaning is provided on both sides of the nozzle to remove imbedded dirt in carpet near baseboards and furniture. Guide either side of the nozzle **parallel** to the edge of the carpet or furniture.

Agitator drive control

When cleaning hard surface floors, press forward on agitator drive pedal to stop agitator from rotating, and move carpet height adjustment indicator to lowest setting. When returning to carpet cleaning, press pedal forward a second time to start agitator rotating, and move adjustment indicator to the correct setting.

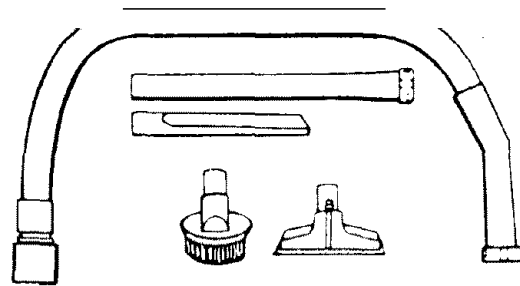


Cleaning tools

(Available at additional cost)

The cleaning tools allow you to do specific cleaning tasks and to clean hard to reach areas.

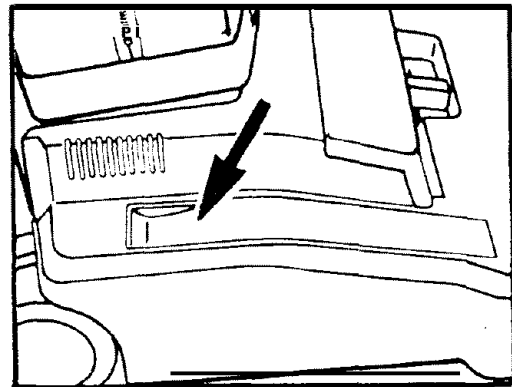
The tool set includes a hose, wand, crevice tool, furniture nozzle and dusting brush.



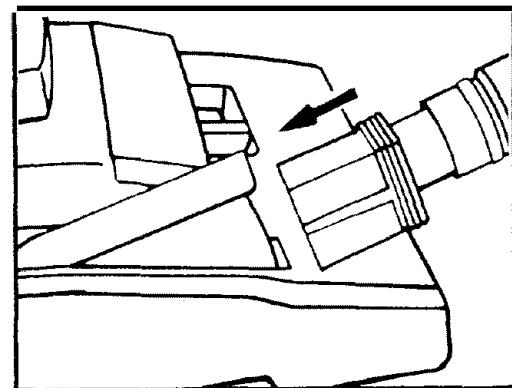
A. Attach hose to cleaner

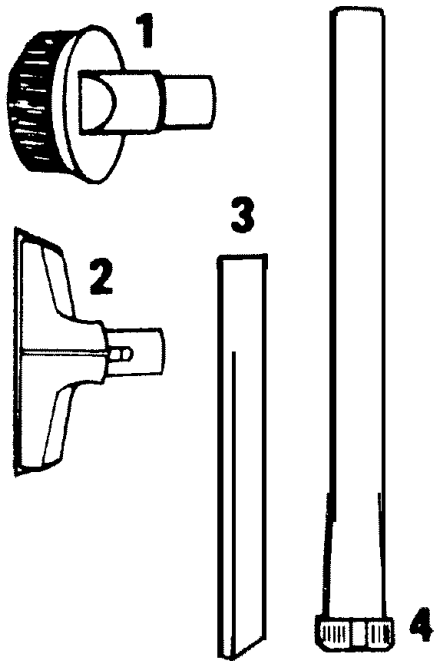
Place cleaner handle in upright position, and press down on rear section of tool converter door as indicated.

Note: The door will not open unless cleaner handle is in upright position.



Push converter (rectangular) end of hose firmly into opening. Suction is now channeled from the nozzle to the hose and cleaning tools.





B. Select the proper cleaning tool

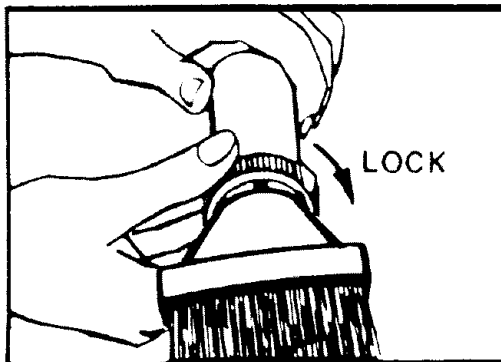
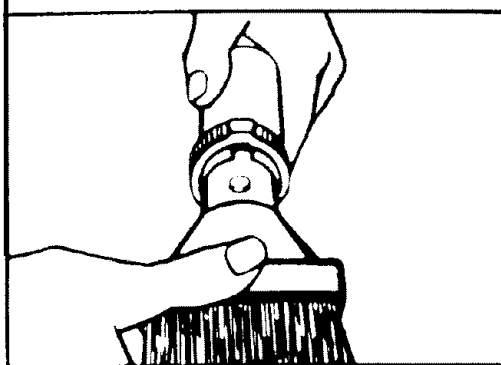
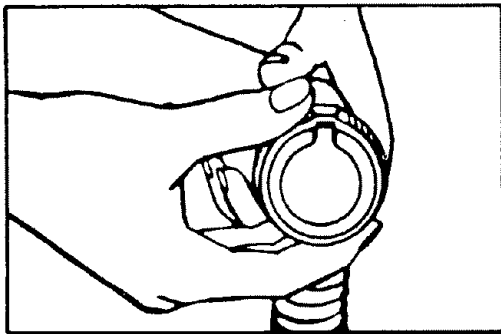
The cleaning tools have many uses. Select the tool best suited for the cleaning task from the descriptions below.

1. Dusting brush may be used for carved furniture, table tops, books, lamps, lighting fixtures, Venetian blinds, baseboards, shutters and registers.

2. Furniture nozzle may be used for upholstered furniture, draperies, tapestries, mattresses, clothing, automobile interiors and carpeted stairs.

3. Crevice tool may be used in tight spaces, corners and along edges in such places as dresser drawers, upholstered furniture, stairs and baseboards.

4. Wand used to give extra length to your hose. Use it with any of the above tools.



C. Attach wand and tools

The tools may be attached to the hose or the wand in the same manner.

Turn plastic latch ring on hose grip until outer slot aligns with inner slot.

Insert tool so that button on tool fits into slot in hose grip.

Turn plastic ring as shown to lock tool in place. To remove tool, reverse the procedure.

For additional length, attach wand to hose as described above.

For added stability, the carpet height adjustment should be set at the lowest position.

To clean tools

To clean the hose wipe off dirt with a cloth dampened in a liquid detergent. Rinse with a damp cloth. Cleaning tools may be washed in warm water with a detergent. Rinse and allow to dry before using.

Maintenance

The following sections are concerned with proper maintenance of the cleaner. Familiarize yourself with these home maintenance tasks and keep this owner's manual in a convenient place where you can refer to it when needed. Proper use and care of your cleaner will ensure continued cleaning effectiveness.

The bag

Your cleaner has a durable outer bag which covers the throw away bag. A light wiping with a damp cloth will keep this outer bag clean.

When to replace throw away bag

Check bag from time to time. It is recommended that you change the bag when dirt reaches the dotted line on the bag. If you let more dirt than this accumulate, your cleaner may not operate effectively.

CAUTION: Very fine materials, such as face powder, cornstarch, fireplace ashes or fireplace soot, may seal the throw away bag and may cause it to burst even though it is only partially full of dirt. When cleaner is used to remove material of this nature, change bag often.

Where to buy bags

Throw away bags may be purchased from your local Authorized Hoover Dealer or from a Hoover Factory Service Center. **When ordering bags, be sure to give the model number of your cleaner.**

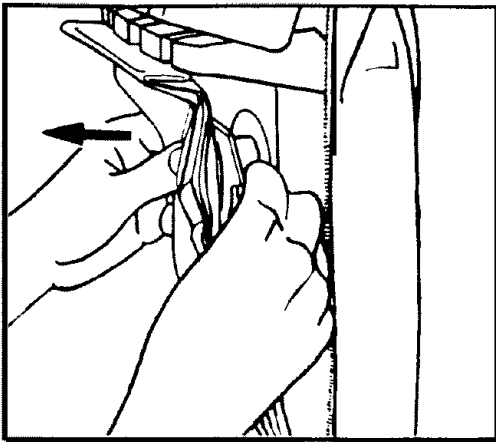
What bags to buy

Use HOOVER bag **type B** with this cleaner.

To assure that your cleaner operates at peak performance, it is imperative that you use only genuine HOOVER throw away bags distributed by The Hoover Company. HOOVER bags can be identified by these trademarks — —

Hoover®



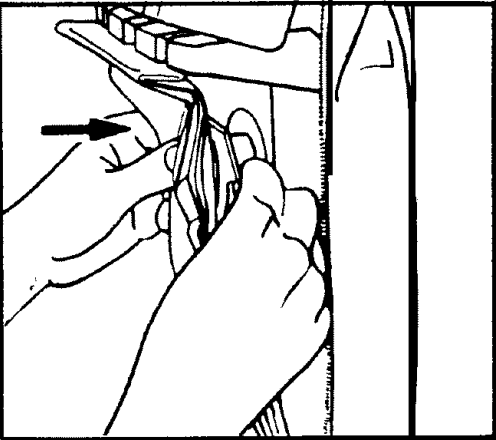


How to change bag

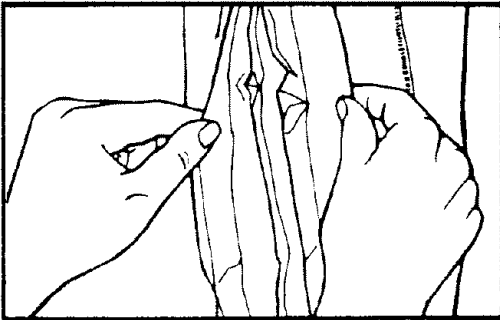
Disconnect cleaner from electrical outlet.

To change throw away bag, unzip outer bag, grasp sides of bag collar and pull collar from tube.

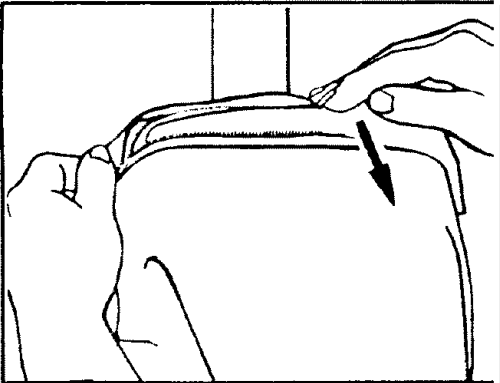
Note: Do not clean out old bag and re-use. Discard used bag.



Install new bag by pushing bottom of bag collar and then top firmly onto tube. **Push collar past the raised portion on both top and bottom of tube.**



Pull out pleats on edges of bag.



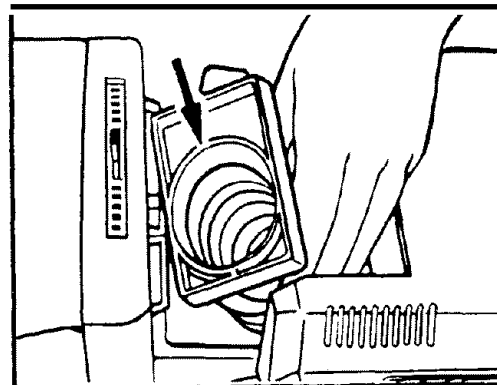
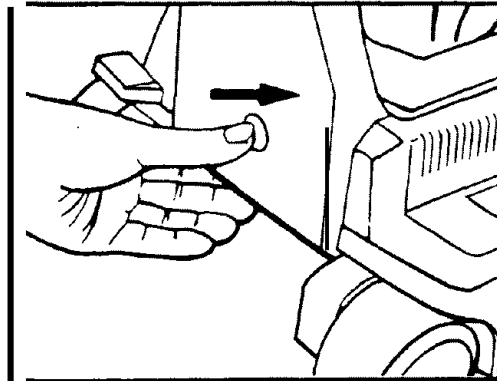
Zip outer bag, pressing down on cap as you reach top of bag.

Clearing obstructions

To maintain the strong suction and cleaning effectiveness of your cleaner, remove any large items from the carpet surface before vacuuming. However, if your cleaner picks up a larger object than can be exhausted in the bag, it can be caught in the bellows.

To remove an obstruction, first **disconnect cleaner from electrical outlet**. Depress button at lower back of handle to disconnect the bellows.

Lower handle to lowest position and pull bellows from lower bag area. Remove any obstruction. Reposition bellows in lower bag area. Return handle to upright position, making sure button on lower back handle returns to original position.



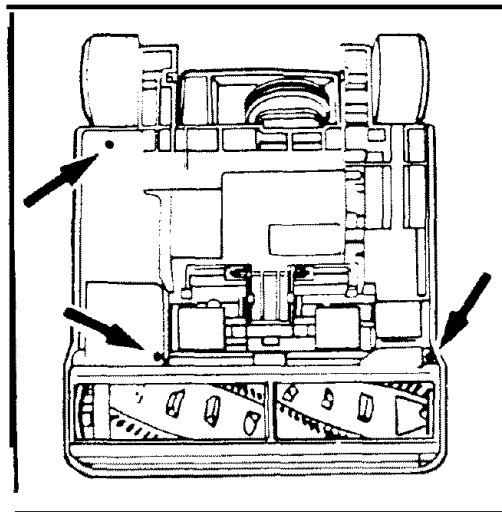
The headlight

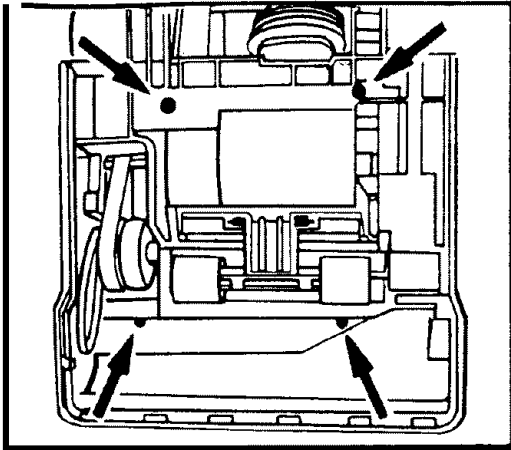
How to replace headlight

Disconnect cleaner from electrical outlet.

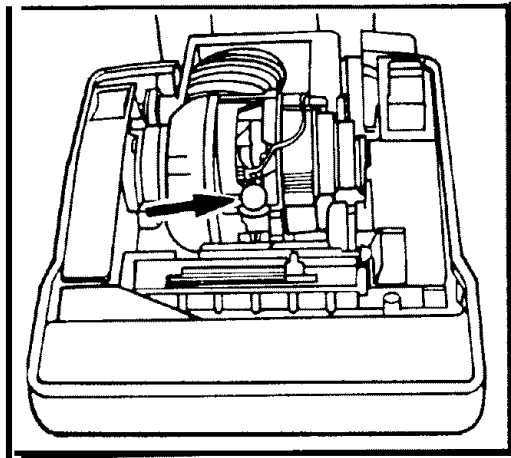
This cleaner uses a 12 volt, wedge base type bulb, part No. 48122-501.

Depress the handle release lever and lower handle to lowest position. Turn cleaner over and remove the three bottom plate screws. Lift off bottom plate.



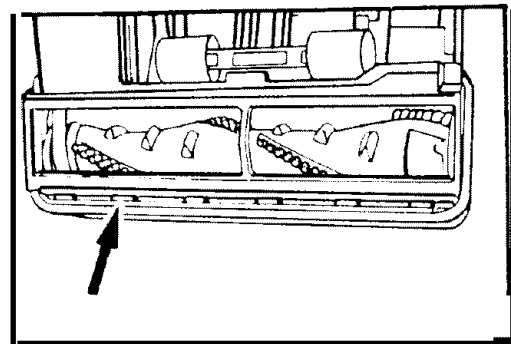


Remove the four hood mounting screws, as shown.



Turn cleaner over, pull up on nozzle control knob to disengage; and lift up hood. Pull out old bulb and push in a new one.

With agitator drive pedal set for "HARD FLOOR" replace hood, carefully fitting edges inside furniture guard. Reposition nozzle control knob and press down into place. Turn cleaner over and secure hood with screws.



Replace bottom plate by fitting front edge under tabs on front of nozzle. Insert screws and tighten.

The belts

The belts on your HOOVER cleaner cause the agitator to rotate and are important for the effective operation of the cleaner. The belts are located under the bottom plate of the cleaner and should be checked from time to time to be sure they are in good condition.

When to replace belts

To check belts, remove bottom plate as shown below. Replace either belt if it is stretched, cut or broken.

Which belts to buy

To assure effective operation, use only genuine HOOVER belts with your cleaner. When purchasing new belts, ask for these part numbers: **Flat Belt - Hoover part no. 38528-517; V-Belt - Hoover part No. 38528-523.**

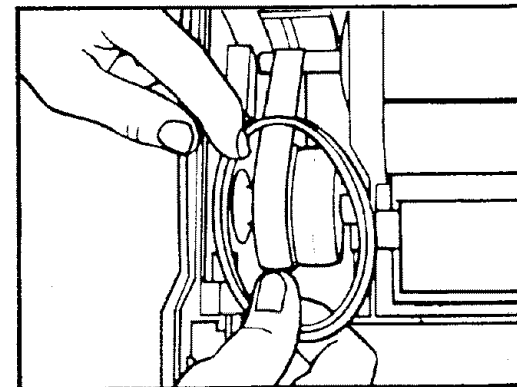
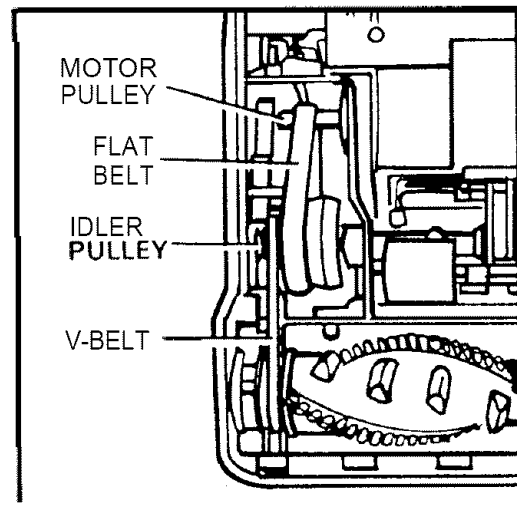
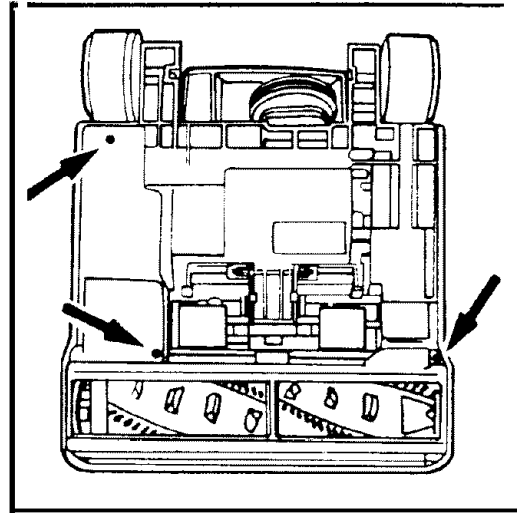
How to replace belts

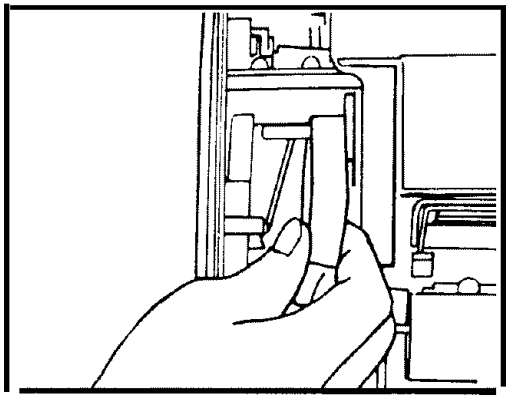
Disconnect cleaner from electrical outlet.

1. Set agitator drive control on "CARPET" and place handle in lowest position.
2. Turn cleaner over and remove the three bottom plate screws. Lift off bottom plate. Refer to the following instructions for the belt you are replacing.

V-BELT

3. Lift up end of agitator and remove old V-belt from agitator and idler pulley.
4. Place new belt on outer end of idler pulley and into belt groove on agitator. Proceed to step 8.



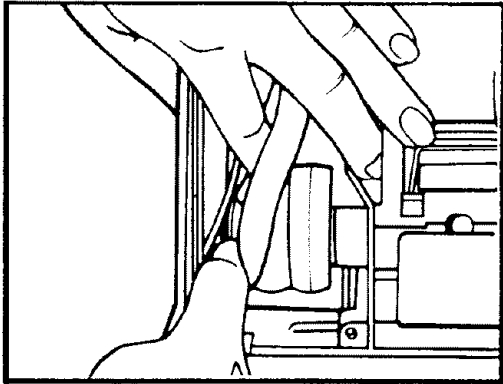


FLAT BELT

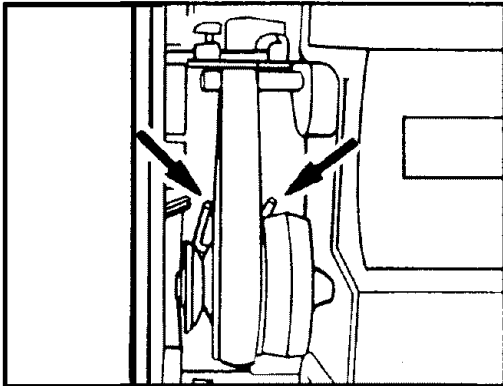
3. Remove agitator and V-belt as directed in replacing V-belt.

4. Work old flat belt off motor and idler pulleys.

5. Slide new flat belt as far as possible onto motor pulley.

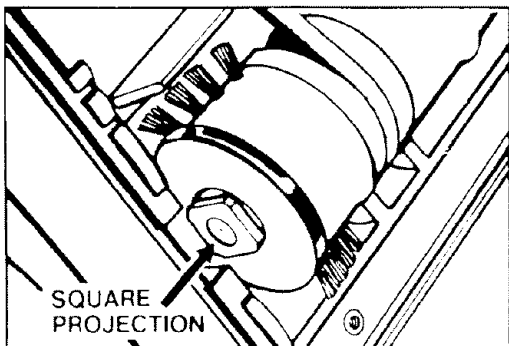


6. Stretch belt and roll outer surface onto idler pulley.



Be sure lower edges of belt are positioned between sides of wire guide.

7. Replace V-belt on outer end of idler pulley and into belt groove on agitator.

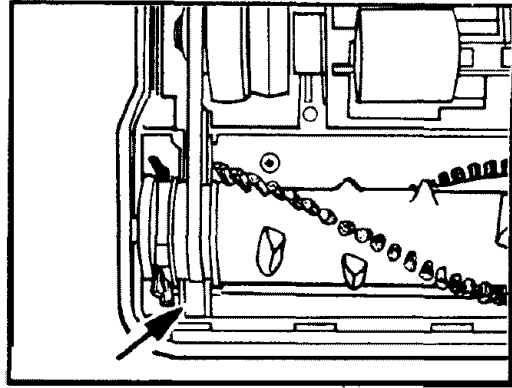


8. Reposition agitator by sliding square projection on belt end of agitator into square slot on side of nozzle. Then slide round projection on other end of agitator into round slot.

Note: Be sure ribs on agitator fit outside ribs in cleaner as shown.

9. Roll idler pulley to make sure flat belt and V-belt are positioned properly.

10. **Replace bottom plate by fitting front edge under tabs on front of nozzle.** Insert screws and tighten.



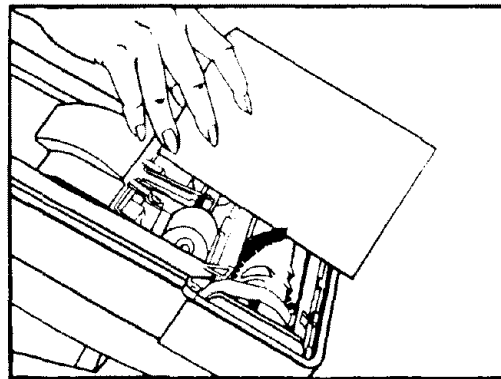
Agitator roll

When to replace agitator roll sleeve

Disconnect cleaner from electrical outlet.

When agitator brushes are worn, sleeve should be replaced.

To check condition of brushes, move edge of card across agitator opening while rotating agitator. To maintain cleaning effectiveness, replace agitator roll sleeve if brushes do not touch edge of card.



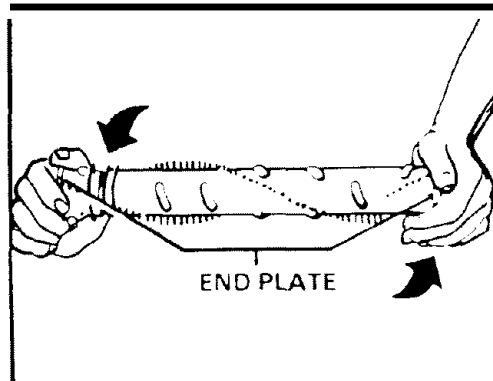
How to replace agitator roll sleeve

Hoover part No. **48414-513**

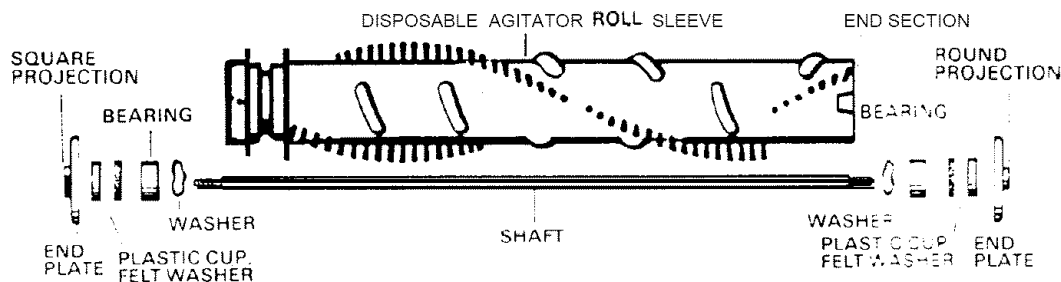
1. Remove bottom plate, as shown in "How to replace belt". Pull out agitator and slip off V-belt.

2. Turn end plates of agitator in opposite directions until one end plate comes off.

3. On the belt groove end, remove the bearing and wave washer.



4. On the opposite end, pry off end section of agitator roll, using a screwdriver.



5. Replace parts onto new agitator roll sleeve.

Note: Be sure that end plate with flat-sided projection is screwed onto belt end of agitator roll.

6. Reinstall agitator into cleaner.

7. Replace bottom plate (see step 10 and drawing at top of preceding page).

Lubrication

The motor is equipped with two ball bearings which contain sufficient lubrication for the life of the motor. The addition of lubricant could cause damage. **Therefore, do not add lubricant to either motor bearing.**

The agitator is equipped with two ball bearings that should be lubricated periodically by a Hoover Factory Service Center or an Authorized Hoover Warranty Service Dealer.

Energy saving tips

1. Replace throw away bag promptly, before overfilled. Use a genuine HOOVER bag made for your model cleaner.
2. To maintain effective cleaning, replace agitator roll sleeve and belts when necessary.
3. Turn off cleaner when not in use, such as when moving furniture.
4. Keep your cleaner operating at peak performance level - have inspection and service performed **by a Hoover Factory Service Center or Authorized Hoover Warranty Service Dealer.**

If you have a problem

This appliance was inspected thoroughly and was in good operating condition when it was shipped from the factory. If a minor problem occurs, it usually can be solved quite easily when the cause is found. Therefore, this check list is provided for your convenience.

Problem	Possible cause	Possible solution
Cleaner won't run	<ol style="list-style-type: none">1. Not firmly plugged in.2. No voltage in wall plug,3. Blown fuse/tripped breaker.	<ol style="list-style-type: none">1. Plug unit in firmly.2. Check fuse or breaker.3. Replace fuse/reset breaker.
Cleaner won't pick up	<ol style="list-style-type: none">1. Broken or worn belt.2. Agitator brushes worn.3. Bag full.4. Incorrect carpet height setting.5. Agitator drive pedal set for "HARD FLOOR".	<ol style="list-style-type: none">1. Replace belt.2. Replace brushes.3. Change throw away bag.4. Move nozzle control knob to type of carpet being cleaned.5. Change setting to "CARPET".
Cleaner hard to push	<ol style="list-style-type: none">1. Incorrect carpet height setting.	<ol style="list-style-type: none">1. Move nozzle control knob to a higher setting.

Service

If the problem persists, check the Yellow Pages of your telephone book under "Vacuum Cleaners - Household" for your nearest **Hoover Factory Service Center or Authorized Warranty Service Dealer** where approved HOOVER service and genuine HOOVER replacement parts may be obtained. The warranty provided with this product has a listing of the Hoover Factory Service Centers. If you are unable to obtain the information you need from the Yellow Pages, contact a Hoover Factory Service Center to find your nearest Authorized Warranty Service Dealer. For service under warranty, follow the instructions in the warranty provided with this product.

Do not send your cleaner to The Hoover Company in North Canton for service as this will only result in delay.

Always identify your cleaner by the **complete** model number when requesting information or ordering replacement parts. (The model number appears on the back of the cleaner hood.)

If further assistance is needed, contact **The Hoover Company Consumer Affairs Department, North Canton, Ohio 44720, 216-499-9200.**



HOOVER and  are registered trademarks of

THE HOOVER COMPANY, NORTH CANTON, OHIO 44720