

READ AND SAVE THESE INSTRUCTIONS

Operator's Manual

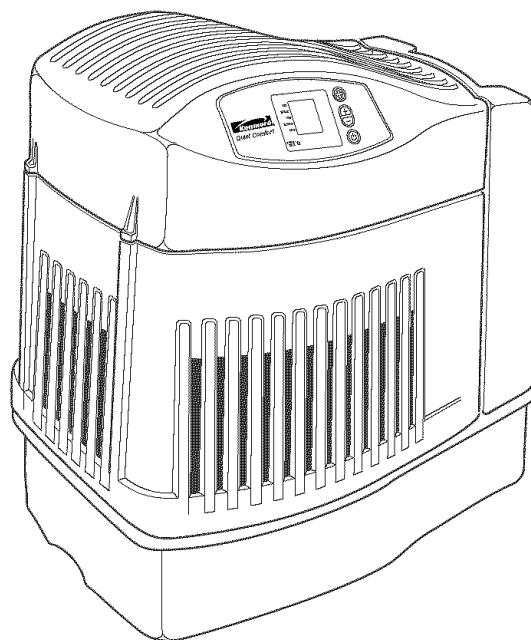


WHOLE HOUSE HUMIDIFIER

45.4 Litre Output with

Digital Readout

Model 758.299825C



CAUTION: Before using this product, read this manual and follow all its Safety Rules and Operating Instructions.

- Safety
- Assembly
- Operation
- Maintenance
- Parts
- Français, page 17

Sears Canada Inc., Toronto, Ontario, Canada M5B 2B8
www.sears.ca

FULL ONE YEAR WARRANTY ON HUMIDIFIER

If within one (1) year from the date of purchase, this humidifier fails due to a defect in material or workmanship, Sears will repair it, free of charge. If within two (2) years from the date of purchase, the motor fails due to defect in material or workmanship, Sears will repair it free of charge.

This warranty service is available by simply returning the humidifier to the nearest Sears Service Centre/Department throughout Canada.

This warranty applies only while this product is used in Canada.

This warranty gives you specific legal rights, and you may also have other rights which vary from province to province.

Sears Canada Inc., Toronto Canada M5B 2B8

GENERAL SAFETY INSTRUCTIONS

Safety Signal Words

DANGER: means if the safety information is not followed someone **will** be seriously injured or killed.

WARNING: means if the safety information is not followed someone **could** be seriously injured or killed.

CAUTION: means if the safety information is not followed someone **may** be injured.

1. To reduce the risk of fire or shock hazard, plug humidifier directly into a 120V, A.C. electrical outlet. Do not use extension cords.
2. Keep the electric cord out of traffic areas. To reduce the risk of fire hazard, never put the electric cord under rugs, near heat registers, radiators, stoves or heaters.
3. Always unplug the humidifier before moving it, before cleaning, or whenever the humidifier is not in service.

4. Keep the humidifier clean.
5. Do not put foreign objects inside the humidifier.
6. Do not allow to be used as a toy. Close attention is necessary when used by or near children.
7. Never use your humidifier while any part is missing or damaged in any manner.
8. To reduce the risk of electrical hazard or damage to humidifier, do not tilt, jolt or tip humidifier while unit is running.
9. To reduce the risk of damage to humidifier, unplug when not in use.
10. To reduce the risk of accidental electrical shock, do not touch the cord or controls with wet hands.
11. Note the warning label shown below.

WARNING: To reduce risk of fire, electric shock, or injury always unplug before servicing or cleaning.

Table of Contents

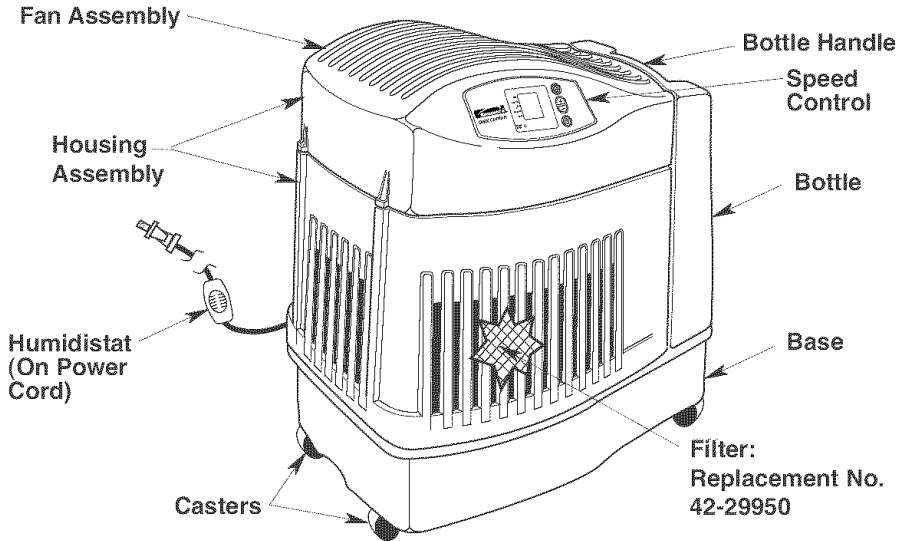
Warranty Information.....	2	Electrical Hook-Up	5
General Safety Instructions	2	Step 3. Water Fill	6
To Save A Service Call	3	Step 4. Operating the Controls	7-8
Know Your Humidifier	3	Using Your Humidifier	9-10
How Your Humidifier Works	4	Replacement and Care of Filters	11
Step 1. Getting Your Humidifier Up and Running	4	Cleaning and Maintenance	12
Step 2. Location Instructions	5	Troubleshooting	13
		Repair Parts.....	14-15

To Save A Service Call

Check the following if your humidifier is not operating.

1. Is power cord attached to outlet?
2. Is there electrical power to outlet?
3. Is fan control on?
4. Is humidity control set high enough?
5. Is the cabinet sitting on a level surface?

Know Your Humidifier



Description	758.299825C
* Litre Output/24 hrs.	45.4
Capacity of Bottle	7.2 Litres
Capacity of Base	7.5 Litres
* Sq. Ft. Coverage	2500
Fan Speeds	4
Auto Fan Speed	Yes
Replacement Filter	42-29950
Power Light	Yes
Fill Light	Yes
Auto Humidistat	Yes
Auto Shut Off	Yes
Controls	Electronic (Push Button)
Casters	Yes (4)
CUL Listed	Yes
Volts	120 A.C.
Hertz	60
Amps (High Speed)	0.80
Watts (High Speed)	80

* Based on an area with average insulation and an 8 foot ceiling height

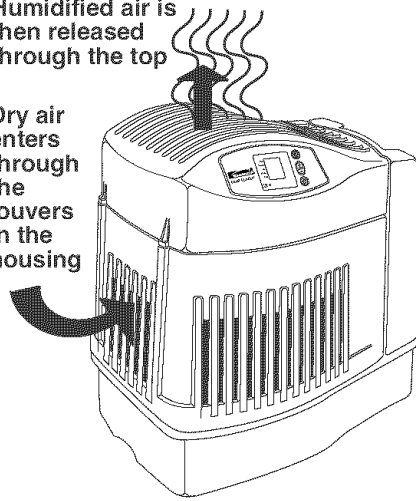
How Your Humidifier Works

Your new Kenmore humidifier is designed to satisfy home humidity requirements through the principle of evaporation of water in the air. Once the filter becomes saturated, air is drawn in, passes through the filter and moisture is absorbed into the air. All evaporation occurs in the humidifier so any residue remains in the filter. This natural process of evaporation virtually eliminates white dust.

CAUTION: To reduce the risk of injury, fire or damage to humidifier, use only cleaners specifically recommended for humidifiers. Never use flammable, combustible or poisonous materials to clean your humidifier. To reduce the risk of scalds and damage to humidifier, never put hot water in humidifier.

Humidified air is then released through the top

Dry air enters through the louvers in the housing

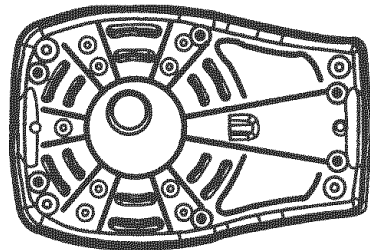


Step 1. Getting Your Humidifier Up and Running

Assembly

Remove casters, water bottle, housing assembly, and filter from the box and reverse the base. Press casters into the bottom of the base manually. **Do not use tools.** Set the base upright.

Replace the filter, housing assembly and bottle (See "Replacement and Care of Filters", page 11 for reference).



Step 2. Location and Electrical Hook-Up

WARNING: For your own safety, do not use humidifier if any parts are damaged or missing.

Selecting A Location

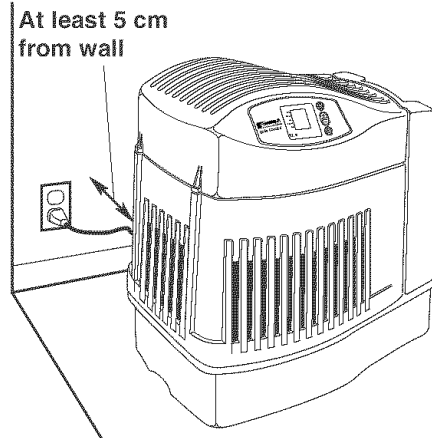
Place humidifier on a flat level surface, take extra care in leveling when placing the unit on carpet. Position the humidifier where the most humidity is needed or where the most air will be circulated throughout the house such as near a cold air return.

Moist air (humidity) produced will disperse into the whole house, but the area closest to the unit will have the highest humidity. If the unit is positioned close to a window, condensation may form on the window pane. If this occurs the unit should be repositioned in another location.

NOTE: Due to release of cool, moist air from humidifier, it is best to direct air away from thermostat and hot air registers and to position humidifier next to an inside wall. Unit should not be placed where cold air from outside walls or warm air from a hot air register blows directly on it.

Positioning The Unit

The humidifier should be positioned with the back (cord exit side) and left side, at least 5 centimetres away from the wall. Air needs to enter through all of the louvers in the housing assembly in order for the humidifier to operate at peak efficiency.



NOTE: Be sure humidistat, which is located on power cord, is free from obstruction and away from any hot air source.

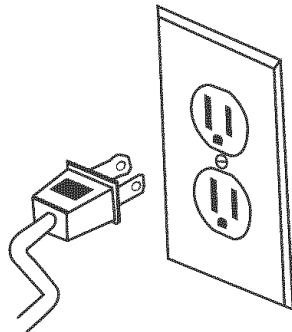
Electrical Hook-Up

Locate nearest 120V A.C. wall socket in the location desired, preferably on inside wall. With the humidifier in the desired location, route the electrical cord safely so no one will trip or upset the humidifier. Plug in the electrical cord.

WARNING: To reduce the risk of fire or shock hazard, humidifier should be plugged into a 120V A.C. outlet. Do not use extension cords.

To reduce the risk of electrical shock, this humidifier has a polarized plug (one blade is wider than the other). This plug will fit in a polarized outlet only one way.

If the plug does not fit fully in the outlet, reverse plug. If it still does not fit, contact a qualified electrician to install the proper outlet. Do not change the plug in any way.



Step 3. Water Fill

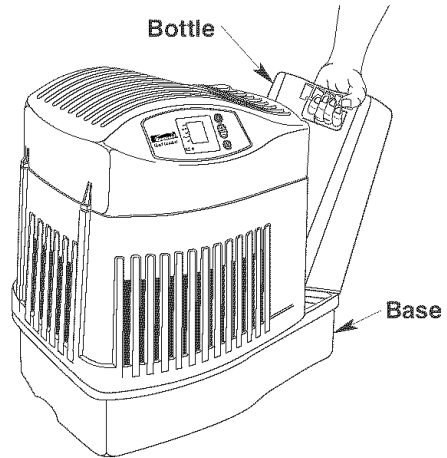
WARNING: To reduce the risk of fire or shock hazard, do not pour or spill water into control or motor area. If controls get wet, let them dry completely and have unit checked by authorized service personnel before plugging in.

After the humidifier is positioned where it will be operating you are ready to fill the humidifier. The bottle lifts straight up and away from the base. Take care not to bump or damage fill valve assembly on the bottom of the bottle.

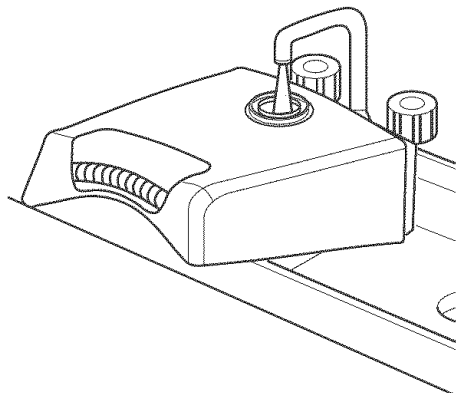
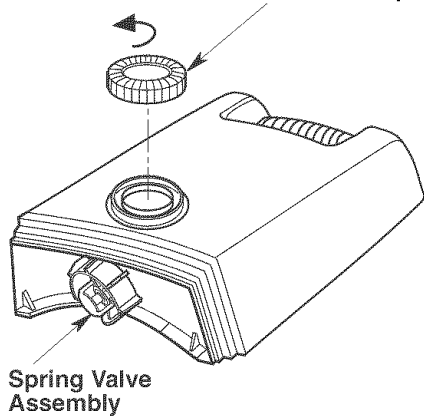
Remove the "E-Z Fill Side Cap" and fill with water. Replace cap and twist by hand until secure. Hold the bottle upright over the sink. Press up on the valve plunger for one second to release a small amount of water. If you hear air bubbles or see leaks around the "E-Z Fill Side Cap" or Spring Valve Assembly, retighten and recheck.

CAUTION: Use only EPA Registered Bacteriostat. Under no circumstances should you use water treatment products designed for Roto belt or Ultrasonic humidifiers.

Place the water bottle back into the humidifier base. When positioned properly, the plunger will open and the water will flow into the base. The base will hold the entire contents of the water bottle. Once the bottle is empty, remove it and repeat the filling process. The humidifier is now filled to capacity. To benefit from less frequent filling let the humidifier exhaust both the water from the bottle and the base before filling.



Turn Counterclockwise to Remove "E-Z Fill Side Cap"



Step 4. Operating the Controls

Where you set your desired humidity levels depends on your personal comfort level, outside temperature and inside temperature. A starting set point of 30% - 40% **ROOM** humidity is recommended but there may be conditions that require a different setting.


When Outdoor Temperature is:		Recommended Indoor Relative Humidity (RH) is:
-10° F	-24° C	20%
2° F	-18° C	25%
10° F	-12° C	30%
20° F*	-6° C*	35%

* and above

IMPORTANT: Water damage may result if condensation starts to form on windows or walls. Humidity **SET** point should be lowered until condensation no longer forms. We recommend room humidity levels do not exceed 50%.

To Operate the Controls

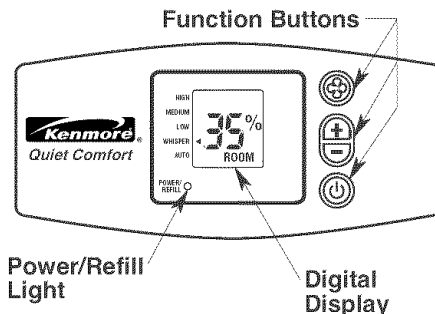
Digital Display

Press the power button  once to display the digital readout*. Initially there is a slight delay while the electronics calibrate.

Two bars (- -) flash during this time. Once calibration is complete a **ROOM** humidity reading between 25% - 95% will be displayed. A flashing 20 display indicates that the room humidity is less than 20%.

NOTE: The default settings at initial startup are **WHISPER** fan speed and **65% SET** humidity. After desired settings are selected by the user, they remain as long as the unit remains plugged in and there is no power interruption. If the unit is unplugged the **original** default settings are employed.

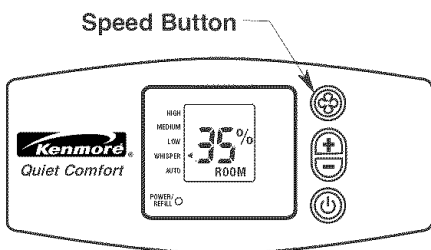
* Humidifier fan should operate at initial start up. If it does not, refer to, "Fan not operating (digital display is illuminated)" in the "Trouble Shooting" section on page 13 of this manual.



Operating the Controls (cont'd.)

Speed Button

This humidifier is equipped with a 4-speed fan control. Each push of the speed button advances the mode through the settings of **HIGH, MEDIUM, LOW, WHISPER, and AUTO**. The selected setting is displayed on the digital readout. The higher the setting, the faster water is evaporated and released into the air. **WHISPER** is the quietest setting and is provided for conditions that do not require a rapid evaporation rate.



How Auto Control Works


The **AUTO** setting allows the humidifier to manage its speed range to maintain your desired humidity setting. It will automatically cycle to the most efficient speed to achieve the desired humidity. Here is how the fan will operate:

- **HIGH** speed if room humidity is 15% or greater RH (Relative Humidity) below the **SET** point.
- **MEDIUM** speed if room humidity is 15 - 10% RH below the **SET** point.
- **LOW** speed if room humidity is 10 - 5% RH below the **SET** point.
- **WHISPER** speed if room humidity is 5% RH or less below the **SET** point.

If the room humidity is not increasing at the current fan speed during a 15 minute period, the fan speed increases to the next higher speed until the humidity **SET** point is reached.

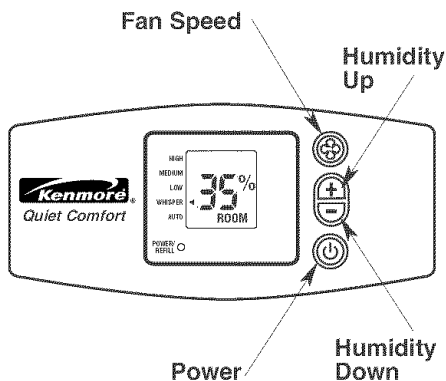
NOTE: The humidifier may run on **HIGH** for an extended period of time if the actual room humidity is extremely low.

Humidity Control

These buttons allow you to adjust the humidity to suit your needs. This humidifier will automatically cycle on and off as required to maintain the selected setting. Press the humidity buttons  to cycle the **SET** humidity readout in 5% increments between 25% and 65%.RH. Once you have set the desired humidity, after 5 seconds the readout will change to the actual room humidity.

NOTE: When the **ROOM** humidity is displayed, pressing the set humidity buttons once will display the current **SET** point. To increase or decrease the current **SET** point, press either the "+" or "-" button until the desired **SET** point is reached.

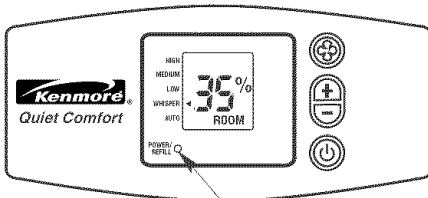
A **SET** point of 65% RH operates the humidifier continuously regardless of the **ROOM** reading. The humidistat that senses the readings is located on the power cord. Insure that it is free from obstruction.



Using Your Humidifier

Power/Refill Light

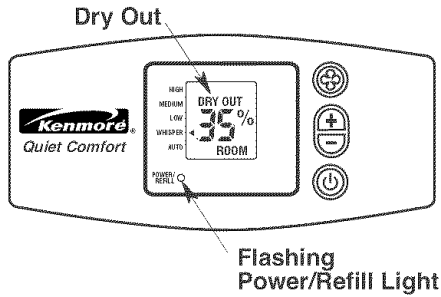
For maximum run time both the bottle and the base should be filled. When both the bottle and the base are empty the red **POWER/REFILL** light will flash, informing additional water is required. Also at this time the unit will automatically switch into **DRY OUT** and continue to run on **WHISPER** speed for a 2 hour period. The message **DRY OUT** will appear on the digital display and the fan speed will switch to **WHISPER** speed.



Power/Refill Light

NOTE: During this time the room humidity level will continue to be monitored and the humidifier will cycle the fan on and off until the filter is completely dry. The fan will shut off leaving you with a dry humidifier that is less prone to mold and mildew growth. If **DRY OUT** is not desired, refill the humidifier with water.

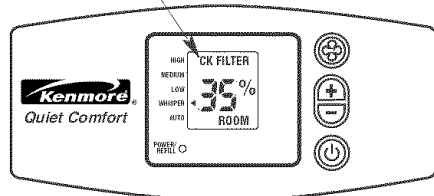
NOTE: Once the dry out cycle is complete, the fan will shut off and the **POWER/REFILL** light will stay illuminated. The humidifier will automatically start again when it is refilled.



Check Filter Indicator

The ability of any humidifier to efficiently supply humidity output relies heavily on the condition of the filter. As the filter loads with impurities it gradually loses its wicking capability. When this happens, moisture output is reduced and the humidifier has to work longer to satisfy the selected setting. This humidifier has a check filter reminder timed to appear after 720 hours of operation. When the **CK FILTER** message is displayed, disconnect the power cord and check the condition of the filter. If a build-up of deposits or severe discoloration is evident replace the filter to restore maximum efficiency. The **CK FILTER** message is reset when the humidifier is plugged back in.

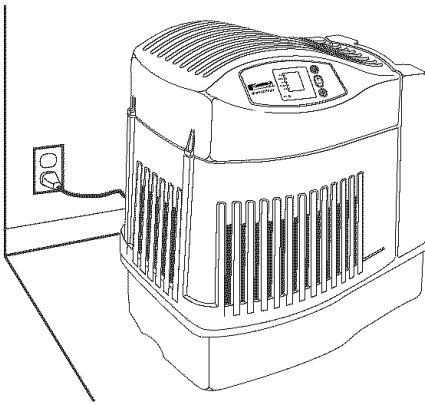
Check Filter



Using Your Humidifier (cont'd.)

Humidistat

The humidistat located on the power cord senses the percentage of humidity in the air. It causes the humidifier to cycle on and off to maintain the selected humidity **SET** point. The fan will turn on if the **ROOM** reading falls 3% below the **SET** point and will continue to run the humidifier until a reading of 1% above the **SET** point is achieved. The fan will turn off until the **ROOM** reading falls 3% below the **SET** point again.




NOTE: Be sure humidistat, which is located on power cord, is free from obstruction and away from any hot air source.


Control Lock Out

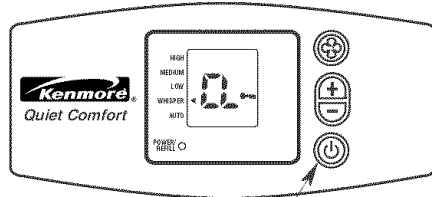
This feature allows the controls to be locked to avoid unwanted tampering.

Activation Procedure

After the desired humidifier settings have been set, press and hold the power button down for 5 seconds. The key icon  will be displayed indicating the control lock is active. If any buttons on the control are pressed while lock out is active, **CL** will be displayed on the LCD screen for 3 seconds and then return to normal and standard LCD display screen and humidifier operation resumes.

Deactivation Procedure

To deactivate, press and hold the power button for 5 seconds. The key icon  will disappear. Humidifier settings may now be changed as desired.



Power Button

Replacement and Care of Filter

WARNING: To reduce the risk of shock or injury from moving parts, always unplug humidifier before removing or replacing any parts.

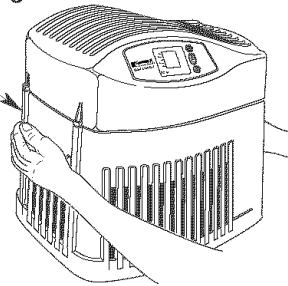
CAUTION: To help retard bacteria growth and keep maximum efficiency, the filter should be replaced at least once per season, or more often under hard water conditions. Use Kenmore 42-29950 recommended replacement filter.

Replace the evaporative wicking filter at least once per humidification season or more depending on water conditions in your area.

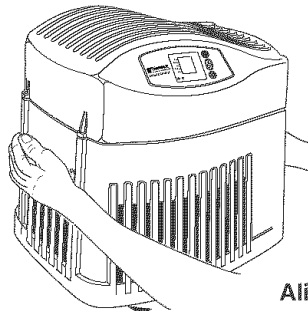
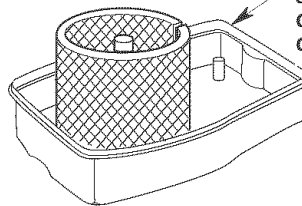
Filter Replacement

1. Unplug humidifier. Before removing the filter, we recommend moving the humidifier to an area where floor coverings are not susceptible to water damage. (i.e. kitchen or bath areas.)
2. Remove the water bottle and set aside. Be sure not to bump or damage the fill valve.
3. Grasp the housing assembly and lift straight up and away from the base and set aside. The filter is now accessible.
4. Take note of the filter position. Remove the filter. You may want to clean the base at this time. See the "Cleaning and Maintenance" section of this manual.
5. Install a new filter (42-29950) into the base. Coil the filter and position it between the uprights in the bottom of the base. The start and finish of the coil should be captured at the centre of the base (see diagram) and the filter should be resting on the floor of the base.
6. Return the housing assembly to the top of the base. Reposition the humidifier to its operating position.
7. The humidifier is now ready to be filled for operation.

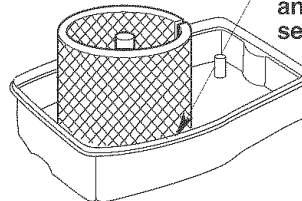
Grasp housing assembly securely and lift off



Position start and finish of coiled filter at centre of base



Align housing assembly bottom with top of base and reposition securely



Cleaning and Maintenance

WARNING: To reduce the risk of injury, fire or damage to humidifier, use only cleaners specifically recommended for humidifiers. Never use flammable, combustible or poisonous materials to clean your humidifier. To reduce the risk of scalds and damage to humidifier, never put hot water in humidifier.

CAUTION: Local water purity varies from area to area and under certain conditions water impurities and airborne bacteria may promote the growth of microorganisms in the reservoir of the humidifier. To retard bacteria growth that may cause odors and be harmful to your health, use only Kenmore replacement filters. We also recommend using EPA approved bacteriostat, and humidifier cleaner.

Step 1

To make cleaning easier, the humidifier base should be empty and completely dried out. To accomplish this, use the following method:

- a. Allow the humidifier to run until the **POWER/REFILL** light flashes and the **DRY OUT** mode has stopped the humidifier fan.
- b. Unplug humidifier.

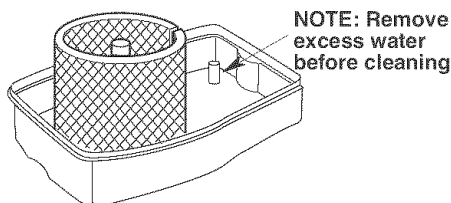
WARNING: To reduce the risk of shock, always unplug humidifier before cleaning or servicing. If humidifier is not un-plugged, fan could start after housing is removed.

Step 2

To Remove Parts

See "Replacement and Care of Filter" page 11.

NOTE: There may be a little water still in the base. Carefully dump the water out or remove with a sponge.



Step 3

Bi-Weekly Maintenance

Removing Scale

1. Fill the humidifier base with 236 millilitres of undiluted white vinegar. Let solution stay 20 minutes.
2. Clean all interior surfaces with a soft brush. Dampen a soft cloth with undiluted white vinegar and wipe out the base to remove scale.
3. Rinse thoroughly with clean warm water to remove scale and cleaning solution.

Disinfecting Base

1. Pour 1.89 litres of water and 2.5 millilitres chlorine bleach into the base. Let solution stay for 20 minutes, carefully swishing every few minutes. Wet all surfaces normally exposed to water.
2. Empty base after 20 minutes. Rinse with water until bleach smell is gone. Allow unit to dry out completely.

NOTE: The water bottle should be cleaned in the same manner as the base. Rinse thoroughly with clean water after all steps are complete.

End of Season Maintenance

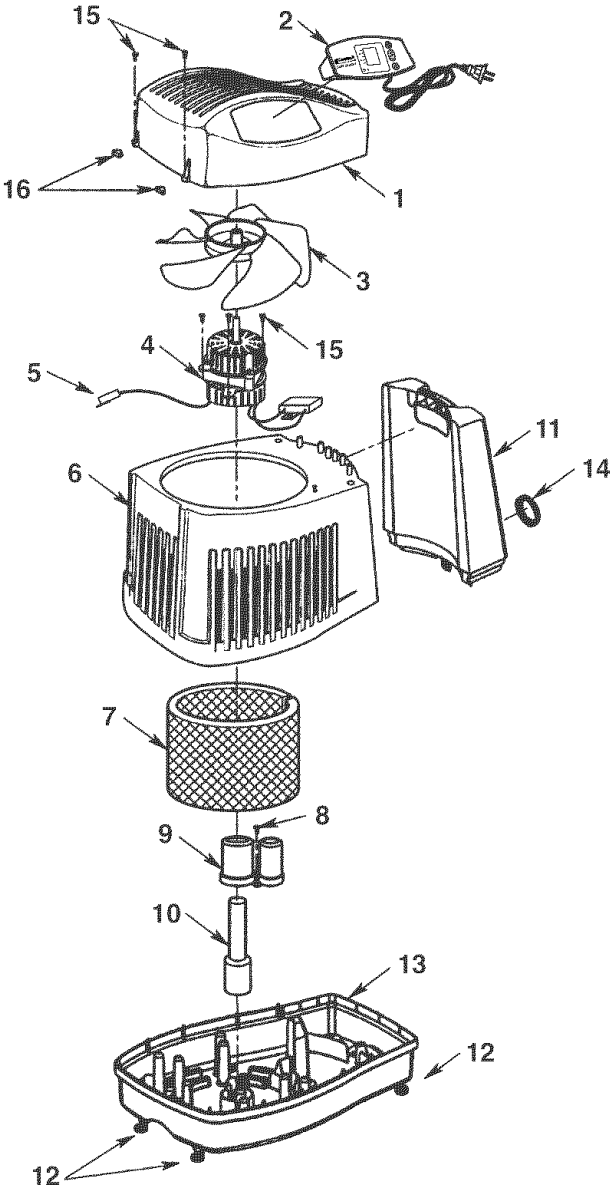
1. Follow "Bi-Weekly Maintenance" instructions at end of humidification season.
 2. Remove filter.
 3. Let humidifier dry completely before storing.
 4. Store in cool, dry location.
 5. Install a new filter in clean humidifier before next season begins.
- NOTE:** "Bi-Weekly Maintenance" procedure is also recommended if you do not plan to run the humidifier for one week or more.

Troubleshooting

Trouble	Probable Cause	Remedy
Red power light and digital display not illuminated.	<ul style="list-style-type: none"> No Power. Power button has not been depressed. 	<ul style="list-style-type: none"> Check 120 volt power source. Press power button once to turn on.
Fan not operating (Red power light and digital display is illuminated).	<ul style="list-style-type: none"> ROOM humidity level is not 3% or more below SET humidity level. 	<ul style="list-style-type: none"> Raise SET humidity level if desired.
Fan running continuously.	<ul style="list-style-type: none"> SET humidity level is 65%. ROOM humidity level has not reached 1% or more above SET humidity level. 	<ul style="list-style-type: none"> A SET humidity percentage of 65% operates fan continuously. Adjust SET level between 25% - 60%. Continue to run until desired humidity level is achieved. This may take up to 48 hours initially.
Poor evaporation of water.	<ul style="list-style-type: none"> CK FILTER message flashing. 	<ul style="list-style-type: none"> Change to a fresh new filter. NOTE: Local water varies from are to area and under certain conditions mineral will build up more rapidly in the filter.
Bottle empties completely.	<ul style="list-style-type: none"> This is normal for initial filling. 	<ul style="list-style-type: none"> Refill bottle for maximum run time.
Bottle continues to empty after complete filling.	<ul style="list-style-type: none"> Air is entering water bottle. 	<ul style="list-style-type: none"> Ensure fill cap is tight with no interfering debris. Check for leak in water bottle.
Bottle not emptying.	<ul style="list-style-type: none"> Base full of water. 	<ul style="list-style-type: none"> The base will hold the contents of water bottle (7.2 litres). Continue to run humidifier to deplete water from base.
CK FILTER message does not appear even when filter is dirty or humidifier performance is clearly reduced.	<ul style="list-style-type: none"> A loss of power has caused the CK FILTER message to prematurely reset. 	<ul style="list-style-type: none"> Replace filter.
Fan operating slower than speed registered on digital display.	<ul style="list-style-type: none"> Humidifier is in DRY OUT mode. 	<ul style="list-style-type: none"> Humidifier automatically switches fan speed to WHISPER when DRY OUT mode message is displayed.
Humidifier not shutting off during DRY OUT mode.	<ul style="list-style-type: none"> Filter not dry. 	<ul style="list-style-type: none"> During DRY OUT mode the humidifier will continue to run on WHISPER speed as required for a 2 hour period.

Repair Parts

Parts List for Kenmore Humidifier Model No. 758.299825C



Parts List for Kenmore Humidifier
Model No. 758.299825C
 Always order by part number - Not by key number

Key No	Part No.	Description
1	830487	Housing, Upper
2	831341	• Assembly, Control
3	829821	• Blade, Fan
4	830778	• Motor
5	828854	Switch, Micro
6	830489	Housing, Lower
7	42-29950	† Filter
8	829815	* Screw, Pan Hd. Ty. AB #6 x 1/2 SS
9	830496-2	Support, Float
10	829816	Float, Reservoir
11	830537	Bottle, Includes Key #15
12	829812	Casters (Includes 4)
13	830484	Base
14	824690-2	Cap, Fill
15	829805	Screw, Pan Hd. Trx. Hi-Lo #6 x 3/4
16	830587	Cap, Screw
17	SP6614	Owner's Manual (not shown)

* Standard Hardware Item - May be purchased locally

† Stock item - May be secured through the Hardware Department of most Sears retail stores.

- Any attempt to repair the control assembly or motor may create a hazard unless repair is done by a qualified service technician. Repair service is available at your nearest Sears store.

Get it fixed, at your home or ours!

Your Home

For repair – **in your home** – of **all** major brand appliances, lawn and garden equipment, or heating and cooling systems, **no matter who made it, no matter who sold it!**

For the replacement parts, accessories and owner's manuals that you need to do-it-yourself.

For Sears professional installation of home appliances and items like garage door openers and water heaters.

1-800-4-MY-HOME®
(1-800-469-4663)
www.sears.com

Anytime, day or night
(U.S.A. and Canada)
www.sears.ca

Our Home

For repair of carry-in products like vacuums, lawn equipment, and electronics, call or go on-line for the nearest **Sears Parts and Repair Centre.**

1-800-533-6937

www.sears.ca

To purchase a protection agreement (U.S.A.) or maintenance agreement (Canada) on a product serviced by Sears:

1-800-827-6655 (U.S.A.)

1-800-361-6665 (Canada)

Para pedir servicio de reparación a domicilio, y para ordenar piezas:

1-888-SU-HOGARSM
(1-888-784-6427)

Au Canada pour service en français:

1-800-LE-FOYER^{MC}
(1-800-533-6937)
www.sears.ca



© Sears, Roebuck and Co.

® Registered Trademark / ™ Trademark / ™ Service Mark of Sears, Roebuck and Co.

® Marca Registrada / ™ Marca de Fábrica / ™ Marca de Servicio de Sears, Roebuck and Co.

^{MC} Marque de commerce / ^{MD} Marque déposée de Sears, Roebuck and Co.

Sold by: Sears Canada Inc., Toronto, Ontario, Canada M5B 2B8

Part No. SP6614

Form No. SP6614

Printed in Canada 08/05

LIRE ET CONSERVER CES INSTRUCTIONS

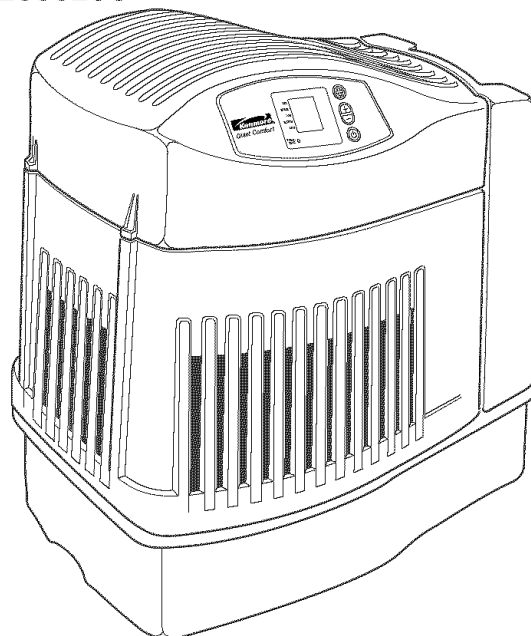
Mode d'emploi



HUMIDIFICATEUR D'AIR CENTRAL POUR TOUTE LA MAISON

Débit de 45,4 litres avec affichage numérique

Modèle 758.299825C



MISE EN GARDE : avant d'utiliser ce produit, veuillez lire le présent mode d'emploi et suivre toutes les consignes de sécurité et d'utilisation.

- Sécurité
- Assemblage
- Fonctionnement
- Entretien
- Pièces

Sears Canada Inc., Toronto, Ontario, Canada M5B 2B8
www.sears.ca

N° de pièce : SP6614

Imprimé au Canada

GARANTIE COMPLÈTE D'UN AN SUR L'HUMIDIFICATEUR D'AIR

Si, pendant une période d'un (1) an après son achat, cet humidificateur d'air cesse de fonctionner à cause d'un défaut de matériel ou de fabrication, Sears le réparera à titre gratuit. Si, pendant une période de deux (2) ans après son achat, le moteur cesse de fonctionner à cause d'un défaut de matériau ou de fabrication, Sears le réparera à titre gratuit.

Vous pouvez bénéficier de ce service sous garantie en renvoyant simplement l'humidificateur d'air au Centre/Département de service après-vente de Sears le plus proche, où que vous soyez au Canada.

Cette garantie ne s'applique que lorsque ce produit est utilisé au Canada.

Cette garantie vous confère des droits légaux précis, et vous pouvez également avoir d'autres droits selon la province où vous résidez.

Sears Canada Inc., Toronto, Canada M5B 2B8

CONSIGNES DE SÉCURITÉ GÉNÉRALES

Termes relatifs à la sécurité

DANGER : si les informations relatives à la sécurité ne sont pas respectées, quelqu'un sera gravement blessé ou tué.

AVERTISSEMENT : si les informations relatives à la sécurité ne sont pas respectées, quelqu'un risque d'être gravement blessé ou tué.

MISE EN GARDE : si les informations relatives à la sécurité ne sont pas respectées, quelqu'un sera peut-être blessé.

1. Pour réduire le risque d'incendie ou de choc électrique, branchez l'humidificateur d'air directement dans une prise de courant alternatif de 120 V c.a. N'utilisez pas de rallonges.
2. Ne laissez pas le cordon électrique traîner dans des passages très fréquentés. Pour réduire le risque d'incendie, ne placez jamais le cordon électrique sous un tapis, ou à proximité d'un registre de chaleur, d'un radiateur, d'un four ou d'un appareil de chauffage.
3. Débranchez toujours l'humidificateur d'air avant de le nettoyer ou de le déplacer, ou à chaque fois qu'il n'est pas en service.
4. Veillez à ce que l'humidificateur reste propre.
5. Ne placez pas de corps étrangers à l'intérieur de l'humidificateur.
6. Ne laissez pas des enfants se servir de cet appareil comme d'un jouet. Il faut faire très attention quand cet appareil est utilisé par des enfants ou à proximité d'enfants.
7. N'utilisez jamais votre humidificateur quand une pièce est absente ou endommagée de quelque façon que ce soit.
8. Pour réduire le risque de danger électrique ou d'endommagement de l'humidificateur d'air, n'inclinez pas, ne heurtez pas et ne faites pas basculer l'humidificateur d'air quand il est en marche.
9. Pour réduire le risque d'endommager l'humidificateur d'air, débranchez-le quand il n'est pas utilisé.
10. Pour réduire le risque de choc électrique accidentel, ne touchez pas le cordon ou les commandes si vos mains sont mouillées.
11. Tenez compte de l'étiquette d'avertissement ci-dessous.

AVERTISSEMENT : Pour réduire le risque d'incendie, de choc électrique ou de blessure, débranchez toujours l'appareil avant d'effectuer une réparation ou un nettoyage.

Table des matières

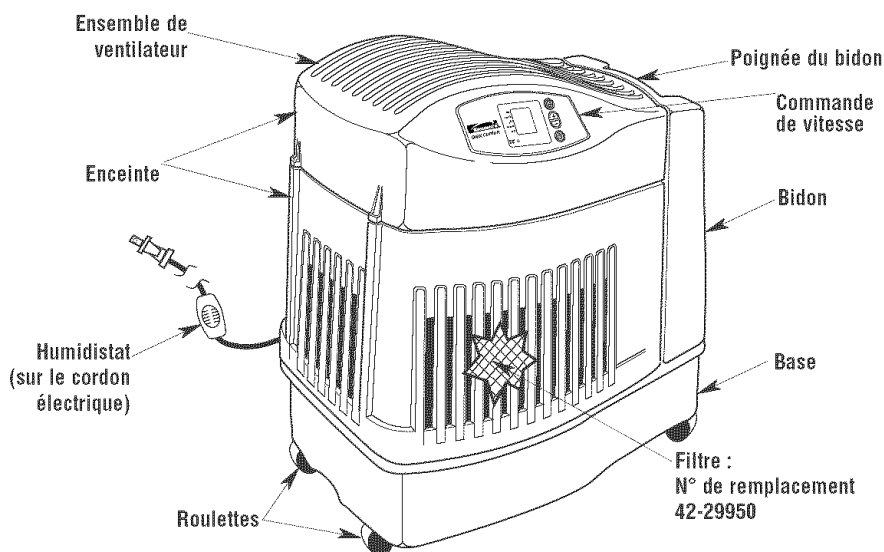
Informations relatives à la garantie.....	18	Troisième étape : remplissage d'eau.....	22
Consignes de sécurité générales	18	Quatrième étape : fonctionnement	
Comment éviter la visite d'un réparateur.....	19	des commandes	23-24
Familiarisez-vous avec votre humidificateur d'air.....	19	Utilisation de votre humidificateur d'air.....	25-26
Comment fonctionne votre humidificateur d'air.....	20	Remplacement et entretien des filtres	27
Première étape : mise en état de marche	20	Nettoyage et maintenance	28
Deuxième étape : positionnement de		Dépannage.....	29
l'humidificateur et raccordement électrique	21	Pièces de rechange.....	30-31

Comment éviter la visite d'un réparateur

Si votre humidificateur ne fonctionne pas, faites les vérifications suivantes :

1. Le cordon électrique est-il branché dans la prise de courant ?
2. La prise de courant est-elle sous tension ?
3. La commande du ventilateur est-elle activée ?
4. Le réglage du niveau de contrôle de l'humidité est-il assez élevé ?
5. L'appareil est-il posé sur une surface plate ?

Familiarisez-vous avec votre humidificateur d'air



Description	758.299825C
* Débit en litres/24 h	45,4
Capacité du bidon	7,2 litres
Capacité de la base	7,5 litres
* Couverture en m ²	2500
Vitesses de ventilation	4
Vitesse de ventilation automatique	Oui
Filtere de rechange	42-29950
Voyant de remplissage	Oui
Voyant d'alimentation	Oui
Humidostat automatique	Oui
Fermeture automatique	Oui
Commandes	Électroniques (bouton-poussoirs)
Roulettes	Oui (4)
Classification CUL	Oui
Volts	120 (c.a.)
Hertz	60
Ampères (haute vitesse)	0,80
Watts (haute vitesse)	80

* Chiffres basés sur une aire avec isolation standard et un plafond de 8 pieds de hauteur

Comment fonctionne votre humidificateur d'air

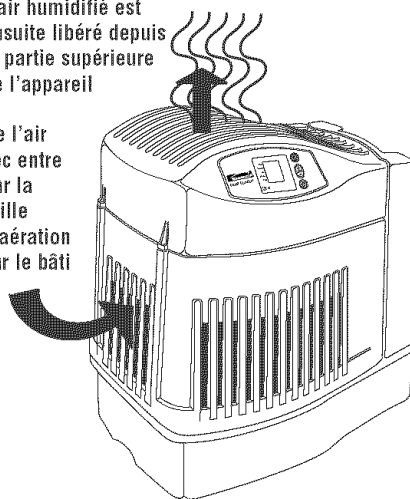
Votre nouvel humidificateur d'air Kenmore a été conçu pour répondre aux besoins d'humidité de votre domicile au moyen du principe d'évaporation de l'eau dans l'air.

Une fois que le filtre est saturé d'eau, de l'air est attiré dans l'appareil, il passe à travers le filtre et l'humidité est absorbée dans l'air. Toute évaporation se produit à l'intérieur de l'humidificateur, c'est pourquoi tous les résidus restent dans le filtre. Ce processus naturel d'évaporation élimine virtuellement la poussière blanche.

MISE EN GARDE : pour réduire le risque de vous blesser, de causer des incendies ou d'endommager l'humidificateur, n'utilisez que des détergents spécialement recommandés pour les humidificateurs. N'utilisez jamais de produits inflammables, combustibles ou toxiques pour nettoyer votre humidificateur. Pour réduire le risque de vous ébouillanter et d'endommager l'humidificateur, ne mettez jamais d'eau chaude dans l'humidificateur.

L'air humidifié est ensuite libéré depuis la partie supérieure de l'appareil

De l'air sec entre par la grille d'aération sur le bâti

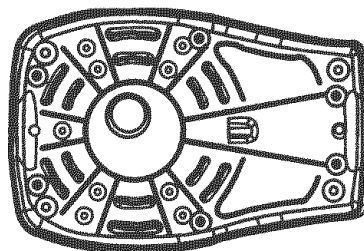


Première étape : mise en état de marche

Assemblage

Retirez les roulettes, la bouteille, l'enceinte et le filtre de la boîte et posez la base à l'envers. Enfoncez les roulettes dans la partie inférieure de la base, à la main – **sans utiliser d'outils**. Remettez la base à l'endroit.

Remettez le filtre, l'enceinte et la bouteille en place, en vous référant à la section « Remplacement et entretien des filtres » de la page 27.



Deuxième étape : positionnement de l'humidificateur et raccordement électrique

AVERTISSEMENT : pour votre propre sécurité, n'utilisez pas l'humidificateur si certains éléments sont endommagés ou absents.

Choix d'un emplacement pour l'humidificateur

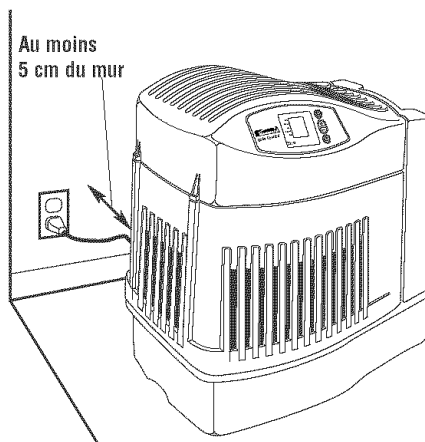
Placez l'humidificateur sur une surface plate et de niveau. Si vous le placez sur un tapis, prenez bien soin de mettre l'appareil de niveau. Positionnez l'humidificateur à l'endroit où l'humidité est le plus nécessaire ou à l'endroit où le plus d'air circulera dans toute la maison, à proximité d'une reprise d'air froid, par exemple.

La plupart de l'air humidifié produit se dispersera dans toute la maison, mais la zone la plus proche de l'appareil aura le plus haut niveau d'humidité. Si l'humidificateur est positionné près d'une fenêtre, il se peut que de la condensation se forme sur la vitre. Si c'est le cas, il faudra déplacer l'appareil.

REMARQUE : du fait que de l'air humide et frais est libéré de l'appareil, il est préférable de placer l'humidificateur à proximité d'un mur de division et de ne pas diriger l'air vers un thermostat ou vers des registres d'air chaud. L'appareil ne doit pas être placé à un endroit où de l'air froid venant de murs extérieurs, ou de l'air chaud venant d'un registre d'air chaud, souffle directement sur l'appareil.

Positionnement de l'appareil

L'humidificateur doit être positionné de la façon suivante : sa surface arrière (côté d'où sort le cordon électrique) et son côté gauche doivent être à au moins cinq centimètres du mur. De l'air doit pouvoir entrer par toutes les lames de la grille d'aération sur le bâti pour que la performance de l'humidificateur soit maximale.



REMARQUE : assurez-vous que l'humidificateur se trouvant sur le cordon d'alimentation n'est pas obstrué et qu'il est situé loin de toute source d'air chaud.

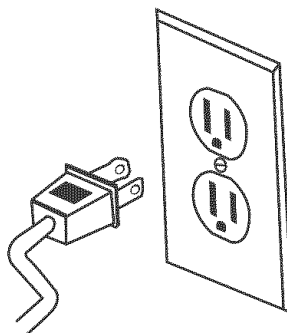
Raccordement électrique

Localisez la prise murale (120 V, c.a.) la plus proche de l'emplacement souhaité, de préférence sur un mur de division. Une fois l'humidificateur positionné à l'endroit voulu, placez le cordon électrique de façon à ce que personne ne trébuche dessus ou n'abîme l'humidificateur. Branchez l'appareil dans la prise de courant.

AVERTISSEMENT : pour réduire le risque d'incendie ou de choc électrique, branchez l'humidificateur d'air directement dans une prise de courant alternatif de 120 V. N'utilisez pas de rallonges.

Pour réduire le risque de choc électrique, cet humidificateur est muni d'une fiche polarisée (une lame est plus large que l'autre). Cette fiche ne pourra être insérée dans une prise polarisée que dans un sens.

Si la fiche n'entre pas complètement dans la prise, inversez-la. Si elle ne peut toujours pas être insérée, faites appel à un électricien qualifié et demandez-lui d'installer une prise appropriée. Ne modifiez pas la prise vous-même de quelque façon que ce soit.



Troisième étape : remplissage d'eau

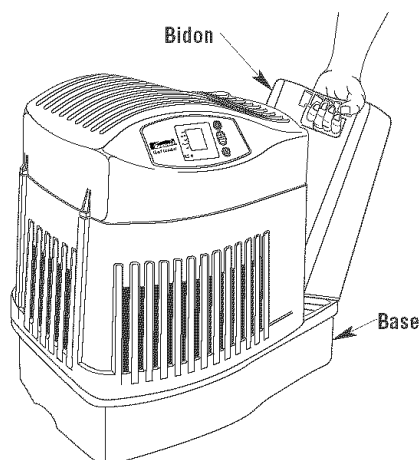
AVERTISSEMENT : pour réduire le risque d'incendie ou de choc électrique, ne versez pas (et ne renversez pas) d'eau sur les commandes ou sur le moteur. Si les commandes sont mouillées, laissez-les sécher complètement et faites inspecter l'appareil par un réparateur agréé avant de le rebrancher.

Une fois que l'humidificateur aura été positionné à l'emplacement où il sera utilisé, vous devrez alors le remplir. Le bidon doit être soulevé tout droit pour être retiré de la base. Prenez soin de ne pas heurter ou endommager le capuchon de remplissage à valve situé sur le dessous du bidon.

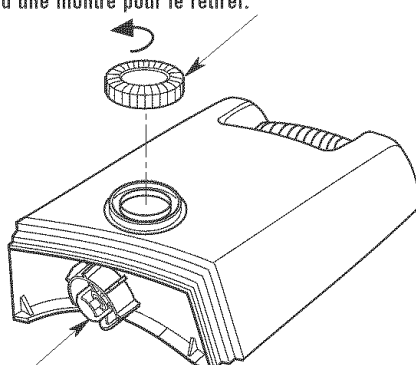
Retirez le bouchon de remplissage latéral facile « E-Z » et remplissez la bouteille d'eau. Remettez le bouchon en place et vissez-le à la main jusqu'à ce qu'il soit bien serré. Tenez la bouteille en position verticale au-dessus de l'évier. Appuyez pendant une seconde sur le pressoir de soupape pour libérer un faible volume d'eau. Si vous entendez le bruit de bulles d'eau ou si vous remarquez des fuites autour du bouchon de remplissage latéral facile « E-Z » ou de la valve à ressort, serrez un peu plus fort et effectuez une nouvelle vérification.

MISE EN GARDE : utilisez uniquement un bactériostatique agréé par l'EPA. Vous ne devez en aucun cas utiliser des produits de traitement de l'eau conçus pour des humidificateurs d'air ultrasoniques ou de type « Roto Belt ».

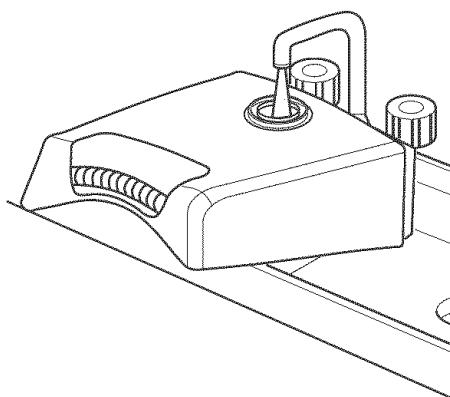
Placez le bidon rempli d'eau sur la base. Quand le bidon est bien positionné, le plongeur s'ouvre et l'eau coule dans la base. La base est assez grande pour contenir toute l'eau du bidon. Une fois que le bidon est vide, retirez-le et remplissez-le encore une fois. L'humidificateur est maintenant rempli au maximum. Pour avoir à remplir le bidon le moins fréquemment possible, laissez l'humidificateur vider l'eau du bidon et celle de la base avant de le remplir à nouveau.



Faites tourner le bouchon de remplissage latéral facile « E-Z » dans le sens inverse des aiguilles d'une montre pour le retirer.



Ensemble de valve à ressort



Quatrième étape : fonctionnement des commandes —

Vous pouvez régler le niveau d'humidité en fonction de vos préférences personnelles, de la température extérieure et de la température intérieure. Il est recommandé de commencer avec un point de réglage de 30 % - 40 % d'humidité pour la pièce (**ROOM**), mais les réglages devront être modifiés selon les conditions.


IMPORTANT : des dégâts causés par l'eau peuvent se produire si de la condensation commence à se former sur les fenêtres ou sur les murs. Le point de réglage (**SET**) de l'humidité doit être réduit jusqu'à ce que la condensation cesse de se former. Nous recommandons que les niveaux d'humidité d'une pièce ne dépassent pas 50 %.

Quand la température extérieure est :		L'humidité relative intérieure recommandée est :
-10° F	-24° C	20%
2° F	-18° C	25%
10° F	-12° C	30%
20° F*	-6° C*	35%

* et températures supérieures

Faire fonctionner les commandes

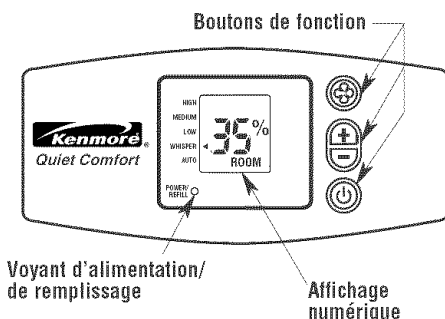
Afficheur numérique

Appuyez une fois sur la touche d'alimentation  pour faire apparaître l'affichage numérique*. Il y a un court délai au début pour permettre un ajustement électronique.

Durant ce délai, deux barres (--) s'affichent. Une fois le calibrage terminé, une lecture de l'humidité de la pièce s'affiche, entre 25 et 95 %. Si le chiffre 20 clignote, cela signifie qu'il y a moins de 20 % d'humidité dans la pièce.

REMARQUE : lors de la mise en marche de l'appareil, la vitesse de ventilateur est réglée par défaut sur **WHISPER** [murmure] et le taux d'humidité est réglé (**SET**) sur **65 %**. Une fois que les réglages sont établis par l'utilisateur, ils restent tant que l'appareil reste branché et qu'il n'y a pas de panne de courant. Si l'appareil est débranché, les réglages par **défaut** sont utilisés.

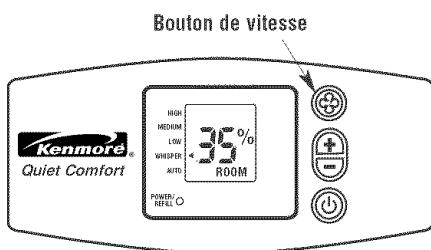
* Le ventilateur de l'humidificateur devrait fonctionner dès la mise en marche initiale. Si ce n'est pas le cas, veuillez vous reporter à la page 29, rubrique « Le ventilateur ne marche pas (l'affichage numérique est illuminé) » de la section de ce mode d'emploi intitulée « Dépannage ».



Fonctionnement des commandes (suite)

Bouton de vitesse

Cet humidificateur est muni d'une commande de ventilateur à quatre vitesses. Chaque fois que l'on enfonce le bouton, le ventilateur passe d'une vitesse à une autre, la séquence des vitesses étant la suivante : **HIGH** [haute vitesse]; **MEDIUM** [vitesse moyenne]; **LOW** [basse vitesse] **WHISPER** [murmure] et **AUTO** [automatique]. Le réglage sélectionné est indiqué sur l'afficheur numérique. Plus la vitesse de réglage est haute, plus l'eau est évaporée et évacuée dans l'air rapidement. **WHISPER** [murmure] est la vitesse la plus silencieuse, et ce réglage est surtout utilisé quand un taux d'évaporation rapide n'est pas nécessaire.



Explication de la fonction automatique

La fonction **AUTO** permet à l'humidificateur de gérer sa propre vitesse afin de maintenir la plage d'humidité qui vous convient. L'appareil adoptera automatiquement la vitesse la plus efficace pour obtenir l'humidité souhaitée. Voici comment le ventilateur fonctionne :

- **HIGH** [haute vitesse] quand l'humidité relative de la pièce est inférieure d'au moins 15 % au niveau d'humidité voulu (**SET**).
- **MEDIUM** [vitesse moyenne] quand l'humidité relative de la pièce est inférieure de 15 à 10 % au niveau d'humidité voulu (**SET**).
- **LOW** [basse vitesse] quand l'humidité relative de la pièce est inférieure de 5 à 10 % au niveau d'humidité voulu (**SET**).
- **WHISPER** [murmure] quand l'humidité relative de la pièce est inférieure d'au plus 5 % au niveau d'humidité voulu (**SET**).

Si l'humidité de la pièce n'augmente pas après un quart d'heure de fonctionnement de l'appareil à une vitesse donnée, l'appareil passe à la vitesse supérieure jusqu'à ce que le niveau d'humidité voulu (**SET**) soit atteint.

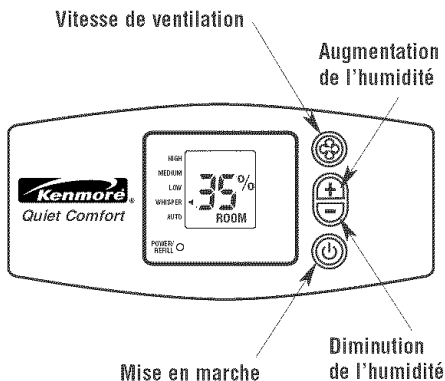
REMARQUE : il se peut que l'humidificateur fonctionne à la vitesse maximale (**HIGH**) pendant longtemps si l'humidité de la pièce est extrêmement basse.

Contrôle de l'humidité

Ces boutons vous permettent de régler le niveau d'humidité selon vos besoins. L'humidificateur se met automatiquement sous ou hors tension selon le réglage choisi. Le chiffre qui indique le niveau d'humidité voulu (**SET**) varie de 25 % à 65 % et est réglé en paliers de 5 % en appuyant sur les boutons de contrôle de l'humidité (+/-). Cinq secondes après que vous aurez établi l'humidité voulue, l'affichage indiquera l'humidité réelle de la pièce.

REMARQUE : quand le chiffre qui indique le niveau courant d'humidité (**ROOM**) est affiché, vous pouvez afficher le niveau d'humidité voulu (**SET**) en appuyant une fois sur les boutons de contrôle de l'humidité. Appuyez sur « + » pour augmenter le niveau d'humidité voulu, et sur « - » pour le diminuer.

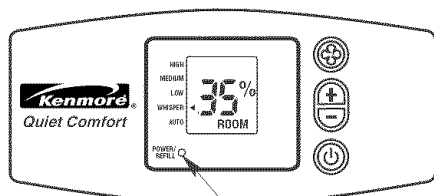
Un niveau de réglage de 65 % fera en sorte que l'humidificateur fonctionnera de façon constante quel que soit le niveau d'humidité de la pièce. L'humidistat, qui permet de lire le niveau d'humidité de la pièce, est situé sur le cordon d'alimentation. Assurez-vous qu'il n'est pas obstrué.



Utilisation de l'humidificateur

Voyant d'alimentation/de remplissage

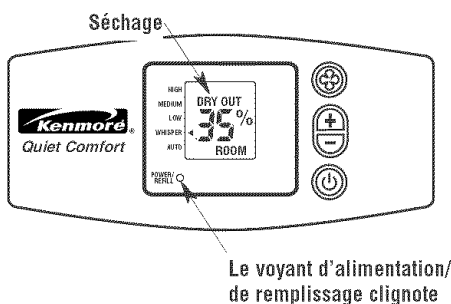
Pour une durée d'utilisation maximum, vous devez remplir la bouteille et la base. Quand ils seront vides, le voyant rouge d'alimentation/de remplissage **POWER/REFILL** clignotera pour vous informer qu'il est temps de rajouter de l'eau. De plus, l'appareil se mettra automatiquement en mode **DRY OUT** [séchage] et continuera à fonctionner sur vitesse **WHISPER** [murmure] pendant deux heures. Le message **DRY OUT** apparaîtra sur l'affichage numérique ainsi que l'indication de vitesse **WHISPER**.



Voyant d'alimentation/
de remplissage

REMARQUE : Pendant cette période, le niveau d'humidité de la pièce sera toujours mesuré et l'humidificateur passera par plusieurs cycles d'allumage et d'éteinte de son ventilateur jusqu'à ce que le filtre soit complètement sec. Ensuite, le ventilateur s'éteindra, laissant l'humidificateur sec et moins susceptible à la moisissure et au mildiou. Si vous ne souhaitez pas que l'appareil passe en mode de séchage, remplissez l'humidificateur d'eau.

REMARQUE : une fois que le cycle de séchage sera terminé, le ventilateur s'arrêtera et le voyant d'alimentation / de remplissage **POWER/REFILL** restera allumé. L'humidificateur se remettra automatiquement en marche quand il sera rempli.

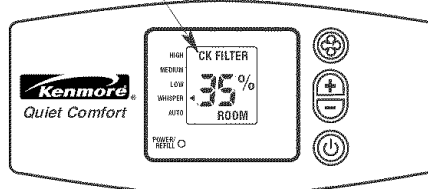


Le voyant d'alimentation/
de remplissage clignote

Indicateur CHECK FILTER (vérifier filtre)

La capacité de tout humidificateur à générer de l'humidité de façon efficace dépend dans une large mesure de l'état du filtre. Les impuretés s'accumulent à l'intérieur du filtre et réduisent graduellement sa capacité d'imbibition. Lorsque cela se produit, l'humidification est réduite et l'humidificateur doit fonctionner plus longtemps pour atteindre le niveau d'humidité voulu. Cet humidificateur est pourvu d'un dispositif de rappel de vérification du filtre qui s'affiche après 720 heures d'utilisation. Lorsque le message **CK FILTER** est affiché, débranchez le cordon d'alimentation et vérifiez la condition du filtre. Si vous constatez une accumulation de dépôts ou une décoloration importante, remplacez le filtre pour rétablir une efficacité maximum. Le message **CK FILTER** disparaît quand l'humidificateur est rebranché.

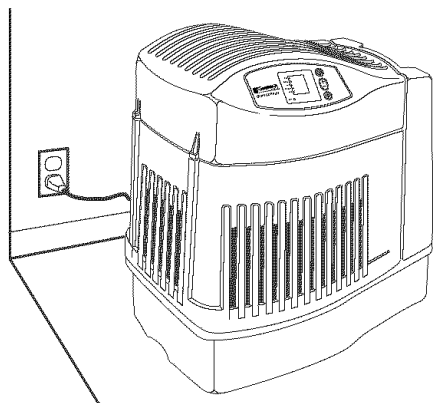
Indicateur de vérification du filtre



Utilisation de l'humidificateur (suite)

Humidistat

L'humidistat situé sur le cordon d'alimentation détecte le pourcentage d'humidité dans l'air. Il entraîne des cycles de mise en marche et d'arrêt de l'humidificateur afin de maintenir le point d'humidité programmé (**SET**). Le ventilateur se mettra en marche si l'humidité réelle de la pièce (**ROOM**) tombe de 3 % au-dessous du point de réglage (**SET**) et continuera à faire fonctionner l'humidificateur jusqu'à ce qu'une humidité de 1 % au-dessus de l'humidité programmée (**SET**) soit atteinte. Le ventilateur s'éteindra jusqu'à ce que l'humidité réelle de la pièce (**ROOM**) tombe à nouveau de 3 % en dessous du point de réglage (**SET**).




REMARQUE : assurez-vous que l'humidistat, situé sur le cordon d'alimentation, n'est pas obstrué et se trouve loin de toute source d'air chaud.


Verrouillage des commandes

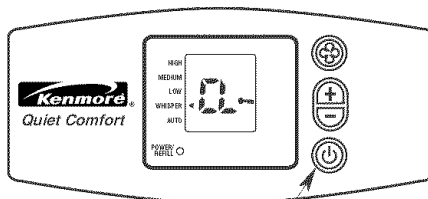
Cette fonction permet de verrouiller les commandes pour éviter une utilisation non autorisée de l'appareil.

Procédure d'activation

Une fois que les réglages souhaités de l'humidificateur auront été établis, appuyez pendant cinq secondes sur le bouton de mise en marche. L'affichage d'une icône de clé  indiquera que le verrouillage des commandes a été activé. Si vous appuyez sur n'importe quel bouton du tableau de commande pendant que la fonction de verrouillage est activée, les lettres CL seront affichées pendant trois secondes sur l'écran à cristaux liquides (LCD) avant le rétablissement de l'affichage LCD normal et la reprise du fonctionnement de l'humidificateur.

Procédure de désactivation

Pour désactiver cette fonction, appuyez pendant cinq secondes sur le bouton de mise en marche. L'icône de clé  disparaîtra. Les réglages de l'humidificateur peuvent maintenant être modifiés selon vos besoins.



Bouton de mise en marche

Remplacement et entretien des filtres

AVERTISSEMENT : pour réduire le risque de choc électrique ou de blessure causé par des pièces en mouvement, débranchez toujours l'humidificateur avant de retirer ou de remplacer des pièces.

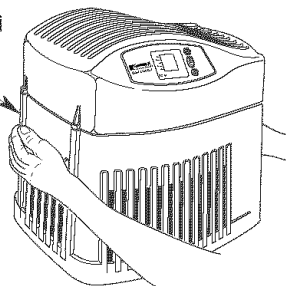
MISE EN GARDE : pour aider à ralentir la croissance de bactéries et préserver l'efficacité maximale du filtre, ce dernier doit être remplacé au moins une fois par saison, ou plus souvent dans les régions où l'eau est particulièrement dure. Utilisez le filtre de remplacement Kenmore 42-29950 recommandé.

Remplacez le filtre capillaire évaporatif au moins une fois par saison, ou plus souvent selon la qualité de l'eau dans votre région.

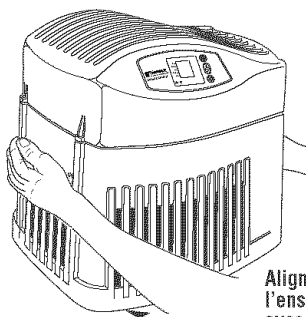
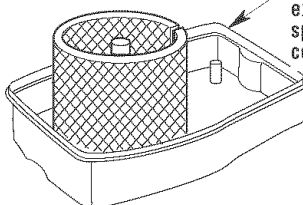
Remplacement du filtre

1. Débranchez l'humidificateur. Avant de retirer le filtre, nous recommandons de déplacer l'humidificateur jusqu'à un endroit où le revêtement de sol n'est pas susceptible aux dommages causés par l'eau (par exemple jusqu'à la cuisine ou à la salle de bain).
2. Retirez le bidon d'eau et mettez-le de côté. Veillez à ne pas heurter ou endommager le capuchon de remplissage.
3. Saisissez le bâti et soulevez-le tout droit pour le séparer de la base, puis mettez-le de côté. Le filtre est maintenant accessible.
4. Remarquez bien la position du filtre avant de le retirer. Ceci est un moment opportun pour nettoyer la base. Veuillez vous reporter à la section de ce mode d'emploi intitulée « Nettoyage et maintenance ».
5. Installez un filtre neuf (42-29950) dans la base. Comprimez le filtre et positionnez-le entre les montants au fond de la base. Les deux extrémités des spires du filtre doivent être capturées au centre de la base (cf. diagramme) et le filtre doit reposer sur le fond de la base.
6. Remettez l'ensemble de bâti sur le dessus de la base. Placez à nouveau l'humidificateur dans sa position de fonctionnement.
7. L'humidificateur est maintenant prêt à être rempli.

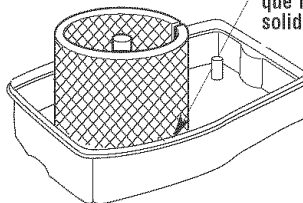
Saisissez fermement le bâti et soulevez-le tout droit



Positionnez chaque extrémité des spires du filtre au centre de la base



Alignez le fond de l'ensemble de bâti avec le dessus de la base et repositionnez en vous assurant que l'appareil est solidement réinstallé.



Nettoyage et maintenance

AVERTISSEMENT : pour réduire le risque de vous blesser, de causer des incendies ou d'endommager l'humidificateur, n'utilisez que des détergents spécialement recommandés pour les humidificateurs. N'utilisez jamais de matériaux combustibles, inflammables ou toxiques pour nettoyer l'humidificateur. Pour réduire le risque de vous ébouillanter et d'endommager l'humidificateur, ne mettez jamais d'eau chaude dans l'humidificateur.

MISE EN GARDE : la pureté de l'eau varie d'une région à une autre et dans certaines conditions les impuretés dans l'eau et les bactéries en suspension dans l'air peuvent promouvoir la croissance de microorganismes dans le réservoir de l'humidificateur.

Pour ralentir la croissance de bactéries qui susceptibles de causer des odeurs et de nuire à votre santé, utilisez uniquement des filtres de rechange Kenmore. Nous recommandons également l'utilisation d'un bactériostatique homologué par l'EPA et d'un détergent pour humidificateur.

Étape 1

Afin de faciliter le nettoyage, la base doit être vide et complètement sèche. Pour cela, adoptez la méthode suivante :

- Laissez fonctionner l'humidificateur jusqu'à ce que le voyant d'alimentation / de remplissage (**POWER/REFILL**) clignote et le passage en mode de séchage (**DRY OUT**) arrête le ventilateur de l'humidificateur.
- Débranchez l'humidificateur.

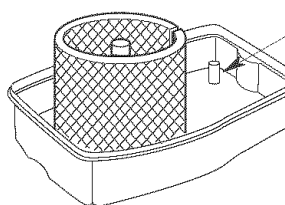
AVERTISSEMENT : pour réduire le risque de choc électrique débranchez toujours l'humidificateur avant de le nettoyer ou de le réparer. Quand l'humidificateur est toujours branché, le ventilateur risque de se mettre en marche après le retrait du bâti.

Deuxième étape

Retrait des éléments

Cf. la section « Remplacement et entretien du filtre » à la page 27.

REMARQUE : il restera peut-être un peu d'eau dans la base. Videz soigneusement cette eau ou retirez-la à l'aide d'une éponge.



REMARQUE : retirez l'eau excédentaire avant de nettoyer l'appareil

Troisième étape

Maintenance bihebdomadaire

Retrait du tartre

- Remplissez la base de l'humidificateur à l'aide de 236 ml de vinaigre blanc non dilué. Laissez la solution reposer pendant 20 minutes.
- Nettoyez toutes les surfaces intérieures à l'aide d'une brosse souple. Humectez un chiffon doux de vinaigre blanc non dilué et essuyez la base pour en retirer le tartre.
- Rincez abondamment avec de l'eau chaude et propre pour retirer le tartre et la solution de nettoyage.

Désinfection de la base

- Versez 1,89 litres d'eau et 2,5 ml de produit à blanchir au chlore dans la base. Laissez la solution pendant 20 minutes en prenant soin de remuer toutes les deux minutes. Mouillez toutes les surfaces normalement exposées à l'eau.
- Videz la base après 20 minutes. Rincez à l'eau jusqu'à ce que l'odeur du chlore ait disparu. Laissez l'appareil sécher complètement.

REMARQUE : le bidon d'eau doit être nettoyé de la même façon que la base. Rincez abondamment avec de l'eau propre une fois que toutes les étapes auront été complétées.

Maintenance de fin de saison

- À la fin de la saison d'utilisation de l'humidificateur, réalisez la maintenance bihebdomadaire.
- Retirez le filtre.
- Laissez l'humidificateur sécher complètement avant de le ranger.
- Rangez-le dans un endroit frais et sec.
- Installez un filtre neuf dans l'humidificateur propre avant que la saison suivante ne commence.

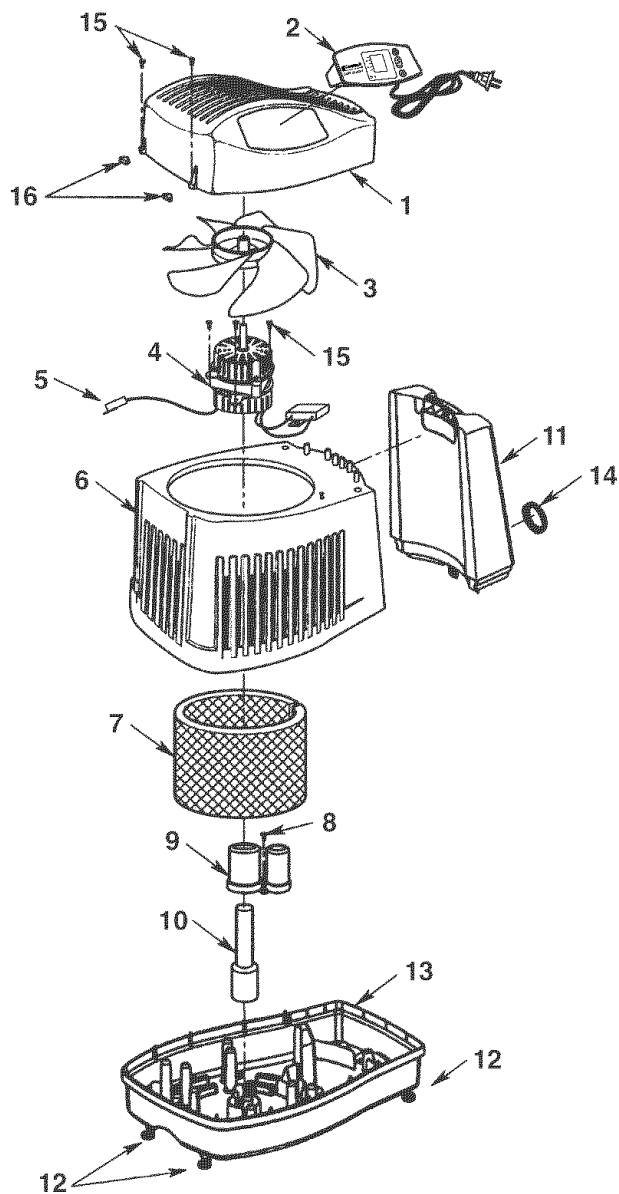
REMARQUE : il est aussi recommandé de suivre la procédure de maintenance bihebdomadaire si vous n'avez pas l'intention de faire fonctionner l'humidificateur pendant une semaine ou plus.

Dépannage

Anomalie	Cause probable	Solution
Voyant rouge de mise en marche et afficheur numérique pas allumés.	<ul style="list-style-type: none"> Pas de tension. Vous n'avez pas appuyé sur le bouton de mise en marche. 	<ul style="list-style-type: none"> Inspectez la source d'alimentation 120 V. Appuyez une fois sur le bouton de mise en marche.
Le ventilateur ne fonctionne pas (le voyant d'alimentation rouge et l'affichage numérique sont illuminés).	<ul style="list-style-type: none"> Le niveau d'humidité réel de la pièce (ROOM) n'est pas de 3 % inférieur au niveau d'humidité programmé. 	<ul style="list-style-type: none"> Augmentez le niveau d'humidité programmé (SET) si vous le souhaitez.
Le ventilateur fonctionne sans arrêt.	<ul style="list-style-type: none"> Le niveau d'humidité programmé (SET) est de 65 %. L'humidité réelle de la pièce (ROOM) n'a pas atteint un niveau supérieur de 1 % ou plus au niveau d'humidité programmé (SET). 	<ul style="list-style-type: none"> Un pourcentage d'humidité programmé (SET) de 65 % force le ventilateur à fonctionner en continu. Choisissez un niveau de réglage entre 25 % et 60 %. Laissez le ventilateur fonctionner jusqu'à ce que le niveau d'humidité souhaité soit atteint. Cela peut prendre jusqu'à 48 heures initialement.
Mauvaise évaporation de l'eau.	<ul style="list-style-type: none"> Le message indiquant qu'il faut vérifier le filtre (CK FILTER) clignote. 	<ul style="list-style-type: none"> Mettez un filtre neuf. REMARQUE : dans certaines régions l'eau a une forte teneur en minéraux qui entraîne le besoin de changer le filtre plus fréquemment.
Le bidon se vide complètement.	<ul style="list-style-type: none"> Ceci est normal pendant le premier remplissage. 	<ul style="list-style-type: none"> Remplissez le bidon pour un temps de fonctionnement maximal.
Le bidon continue à se vider même après avoir été complètement rempli.	<ul style="list-style-type: none"> De l'air pénètre dans le bidon. 	<ul style="list-style-type: none"> Vérifiez que le bouchon de remplissage est bien vissé et que des débris n'empêchent pas une fermeture complète. Vérifiez qu'il n'y a pas de fuites dans le bidon.
Le bidon ne se vide pas.	<ul style="list-style-type: none"> La base est remplie d'eau. 	<ul style="list-style-type: none"> La base contiendra l'eau du bidon (7,2 litres). Continuez à faire fonctionner l'humidificateur pour vider l'eau de la base.
Le message « CK FILTER » (vérifier filtre) ne s'affiche pas, même quand le filtre est sale ou que le rendement de l'humidificateur est nettement réduit.	<ul style="list-style-type: none"> Une perte de puissance ou une panne de courant a entraîné une annulation prématurée du message « CK FILTER ». 	<ul style="list-style-type: none"> Remplacez le filtre.
Le ventilateur fonctionne plus lentement que la vitesse indiquée sur l'affichage numérique.	<ul style="list-style-type: none"> L'humidificateur est dans le mode de dessèchement (DRY OUT). 	<ul style="list-style-type: none"> L'humidificateur fait automatiquement passer le ventilateur à la vitesse WHISPER [murmure] quand le message indiquant le passage en mode de dessèchement (DRY OUT) est affiché.
L'humidificateur ne s'éteint pas pendant le mode de dessèchement (DRY OUT).	<ul style="list-style-type: none"> Le filtre n'est pas sec. 	<ul style="list-style-type: none"> En mode de séchage DRY OUT, l'humidificateur continuera à fonctionner à la vitesse WHISPER pendant deux heures.

Pièces de rechange

Liste des pièces de rechange pour l'humidificateur d'air Kenmore
Modèle N° 758.299825C



**Liste des pièces de rechange pour l'humidificateur d'air Kenmore
Modèle N° 758.299825C**

Commandez toujours par numéro de pièce et non pas par numéro de légende

N° légende	N° pièce	Désignation
1	830487	Enceinte, partie supérieure
2	831341	• Ensemble des commandes
3	829821	• Pale de ventilateur
4	830778	• Moteur
5	828854	Micro-interrupteur
6	830489	Enceinte, partie inférieure
7	42-29950	† Filtre
8	829815	* Vis à tête cylindrique bombée de type AB N° 6 x 1/2 SS
9	830496-2	Support de flotteur
10	829816	Flotteur du réservoir
11	830537	Bouteille (comprend l'élément N° 15)
12	829812	Roulettes (4)
13	830484	Base
14	824690-2	Bouchon de remplissage
15	829805	Vis à tête cylindrique bombée de type Trx Hi-Lo N° 6 x 3/4
16	830587	Bouchon de vis
17	SP6614	Mode d'emploi (n'apparaît pas sur le schéma)

* Article de quincaillerie standard qu'il est possible de se procurer localement.

† Article en stock qu'il est possible de se procurer dans le rayon Quincaillerie de la plupart des magasins Sears.

- Toute tentative de réparation de l'ensemble de commande ou du moteur par une personne autre qu'un technicien agréé peut créer un danger. Vous pouvez obtenir des services de réparation à votre magasin Sears le plus proche.

Pour une réparation chez vous ou chez nous!

Chez vous

Réparation – **chez vous** – de **tout** équipement de marque réputée, comme les électroménagers, les équipements de pelouse et de jardin ou les appareils de chauffage et de climatisation, **peu importe qui l'a fabriqué et qui vous l'a vendu!**

Pièces de rechange, accessoires et modes d'emploi pour réparer soi-même.

Installation par des professionnels de Sears des électroménagers et d'articles tels que les ouvre-portes de garage et les chauffe-eau.

1-800-469-4663

Appeler en tout temps, de nuit comme de jour (États-Unis et Canada)

www.sears.com

www.sears.ca

Chez nous

Réparation d'appareils portables, comme les aspirateurs, l'équipement de pelouse et les appareils électroniques : appeler ou rechercher dans Internet pour connaître le **centre de pièces et réparation Sears** le plus proche.

1-800-533-6937

www.sears.ca

Achat d'une entente de protection (États-Unis)
ou d'un contrat d'entretien (Canada)
touchant un produit révisé par Sears :

1-800-827-6655 (ÉTATS-UNIS)

1-800-361-6665 (Canada)

Para pedir servicio de reparación a domicilio, y para ordenar piezas:

1-888-SU-HOGARSM
(1-888-784-6427)

Au Canada pour service en français :

1-800-LE-FOYER^{MC}
(1-800-533-6937)
www.sears.ca



© Sears, Roebuck and Co.

® Registered Trademark / TM Trademark / SM Service Mark of Sears, Roebuck and Co.

® Marca Registrada / TM Marca de Fábrica / SM Marca de Servicio de Sears, Roebuck and Co.

^{MC} Marque de commerce / ^{MD} Marque déposée de Sears, Roebuck and Co.

Vendu par : Sears Canada Inc., Toronto, Ontario, Canada M5B 2B8

N° de pièce : SP6614

Document n° SP6614

Imprimé en Canada 08/05