

YARD-MAN

by MTD

Operator's Manual

English

Electric
Snow Thrower



IMPORTANT: Read safety rules and instructions carefully before operating equipment.

INTRODUCTION

THANK YOU

Thank you for buying this quality product. This modern outdoor power tool will provide many hours of useful service. You will find it to be a great labor-saving device. This operator's manual provides you with easy-to-understand operating instructions. Read the whole manual and follow all the instructions to keep your new outdoor power tool in top operating condition.

PRODUCT REFERENCES, ILLUSTRATIONS AND SPECIFICATIONS

All information, illustrations, and specifications in this manual are based on the latest product information available at the time of printing. We reserve the right to make changes at any time without notice.

Copyright© 2003 MTD SOUTHWEST INC, All Rights Reserved.

SERVICE INFORMATION

Service on this unit both within and after the warranty period should be performed only by an authorized and approved service dealer.

For service call **1-800-345-8746**, or **1-800-668-1238** in Canada to obtain a list of authorized service dealers near you. For more details about your unit, visit our website at www.yardman.com.

If you have difficulty assembling this product or have any questions regarding the controls, operation or maintenance of this unit, please call the Customer Support Department.

DO NOT RETURN THE UNIT TO THE RETAILER. PROOF OF PURCHASE WILL BE REQUIRED FOR WARRANTY SERVICE.

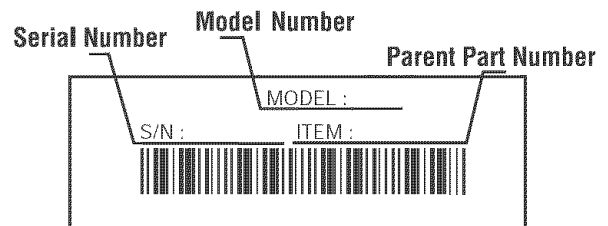
Make sure you carefully read and understand this manual before starting or operating this equipment.

THIS PRODUCT IS COVERED BY ONE OR MORE U.S. PATENTS. OTHER PATENTS PENDING.

TABLE OF CONTENTS

Service Information	2
Rules for Safe Operation	3
Know Your Unit	7
Assembly Instructions	8
Operating Instructions	9
Maintenance and Repair Instructions	11
Cleaning and Storage	12
Troubleshooting Chart	13
Specifications	13
Warranty Information	14
Parts List	Inside Back Cover

Before beginning, locate the unit's model plate. It lists the model and serial numbers of your unit. Refer to the sample plate below and copy the information for future reference.



Copy the model and parent part number here: _____

Copy the serial number here: _____

RULES FOR SAFE OPERATION

The purpose of safety symbols is to attract your attention to possible dangers. The safety symbols, and their explanations, deserve your careful attention and understanding. The safety warnings do not by themselves eliminate any danger. The instructions or warnings they give are not substitutes for proper accident prevention measures.

SYMBOL	MEANING
--------	---------


	<p>SAFETY ALERT: Indicates danger, warning or caution. Attention is required in order to avoid serious personal injury. May be used in conjunction with other symbols or pictographs.</p>
---	--

NOTE: Advises you of information or instructions vital to the operation or maintenance of the equipment.

SYMBOL	MEANING
--------	---------

	<p>DANGER: Failure to obey a safety warning will result in serious injury to yourself or to others. Always follow the safety precautions to reduce the risk of fire, electric shock and personal injury.</p>
---	---

	<p>WARNING: Failure to obey a safety warning can result in injury to yourself and others. Always follow the safety precautions to reduce the risk of fire, electric shock and personal injury.</p>
---	---


	<p>CAUTION: Failure to obey a safety warning may result in property damage or personal injury to yourself or to others. Always follow the safety precautions to reduce the risk of fire, electric shock and personal injury.</p>
---	---

Read the Operator's Manual and follow all warnings and safety instructions. Failure to do so can result in serious injury to the operator and/or bystanders.

FOR QUESTIONS, CALL 1-800-345-8746 IN U.S. OR 1-800-668-1238 in CANADA

• IMPORTANT SAFETY INSTRUCTIONS •

READ ALL INSTRUCTIONS

	<p>WARNING: When using the unit, you must follow the safety rules. Please read these instructions before operating the unit in order to ensure the safety of the operator and any bystanders. Please keep these instructions for later use.</p>
---	--

Before Operating

- Read the instructions carefully. Be familiar with the controls and proper use of the unit.
- Do not operate this unit when tired, ill or under the influence of alcohol, drugs or medication.
- Children under the age of 15 must not use the unit; teens may operate the unit with adult guidance.
- Inspect the unit before use. Replace damaged parts. Make sure all fasteners are in place and secure. Replace snow thrower parts that are cracked, chipped, or damaged in any way.
- Exercise caution to avoid slipping or falling.

- Thoroughly inspect the area where the snow thrower is to be used. Remove all doormats, sleds, boards, wires, debris, and other foreign objects which may be thrown by the snow thrower.
- Make sure the rotor will spin freely before using the unit.
- Dress properly. Wear adequate winter outer garments. Wear heavy, long pants, boots, gloves and a long sleeve shirt. Do not wear loose clothing, jewelry, short pants, sandals or go barefoot. Secure hair above shoulder level.
- Wear footwear that doesn't leak when operating the snow thrower and that will improve footing on slippery surfaces. Wear rubber boots.
- Never attempt to make adjustments while the motor is running.
- Let the motor and unit adjust to outdoor temperatures before starting to clear snow.
- Always wear safety glasses/shields or goggles at all times during operation or while performing an adjustment or repair to protect eyes from foreign objects that may be thrown from the machine.

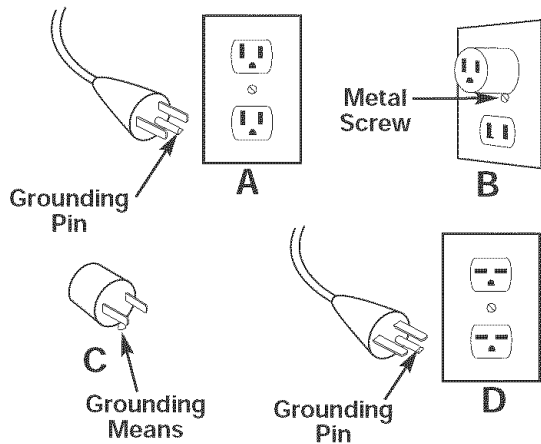
RULES FOR SAFE OPERATION

SAFETY WARNINGS FOR ELECTRIC UNITS



DANGER: When using electric machines, basic safety precautions should always be followed to reduce the risk of fire, electric shock and personal injury. Carefully read and understand the entire operator's manual before using your unit. Pay close attention to the operating instructions and safety warnings.

- This snow mover should be grounded while in use to protect the operator from electric shock. The snow mover is equipped with an approved 3-conductor cord and 3-prong grounding-type plug to fit the proper grounding-type receptacle. The green or green/yellow conductor in the cord is the grounding wire. Never connect this wire to a live terminal. If your unit is for use on less than 150 volts, it has a plug that looks like A in the figure below. If it is for use on 150 to 250 volts, it has a plug that looks like D in the figure.



- An adapter (shown in B and C in the above figure) is available for connecting 3-prong grounding-type plugs to 2-prong receptacles. The grounding means extending from the adapter must be connected to a permanent ground such as a properly-grounded outlet box. No adapter is available for the plug shown in D.
- Use only 3-wire outdoor extension cords that have 3-prong grounding-type plugs and 3-pole receptacles that accept the snow mover's plug. Replace or repair damaged cords.

MINIMUM WIRE SIZE FOR EXTENSION CORDS FOR 120 VOLT APPLIANCES USING 0-12 AMPS

Cord length (ft.)	25	50	100	150
Wire size (AWG)	16	16	14	14

CORD SETS: Please see your dealer for the appropriate extension cord to use with this product. Make sure your cord set is in good condition, with a cord that is heavy enough to carry the current that your unit will draw. An undersized cord set will cause a drop in line voltage resulting in a loss of power, as well as overheating. The table shown above illustrates the correct size to use depending on the cord length and nameplate amperage rating. If in doubt, use the next heavier size line gauge. The smaller the gauge number, the heavier the cord. To prevent the cord from disconnecting from the unit, use the cord hook shown in the *Operating Instructions*.



WARNING: To reduce the risk of electrical shock, use only SW-A, SOW-A, STOW-A, SJW-A, SJOW-A, SJTW-A or SJTOW-A cord types.

- Ground Fault Circuit Interrupter (GFCI) protection should be provided on the circuit(s) or outlet(s) that will be used for the unit. Use receptacles with built-in GFCI protection for an extra measure of safety.
- A data plate on your unit indicates the voltage used. Never connect the unit to an AC voltage that differs from this voltage.



WARNING: To prevent electric shock, use only with an extension cord suitable for outdoor use.

- Inspect all extension cords and the unit power connection periodically. Look closely for deterioration, cuts or cracks in the insulation. Also inspect the connections for damage. Repair or replace the cords if any defects appear.
- When cleaning, inspecting or repairing the unit, make certain the rotor and all moving parts have stopped. Disconnect the extension cord to prevent accidental starting.
- Do not abuse the extension cord. Never carry the snow thrower by the cord or yank on the cord to disconnect it from the receptacle.
- Keep the extension cord away from heat, oil, and sharp edges to prevent damage.
- If the extension cord is damaged in any manner while it is plugged in, pull the extension cord from the wall receptacle.
- Prevent any possible disconnection of the cord receptacle from the extension cord during operation by using the cord retainer and guide bar. Refer to the section *Using the Cord Retainer*.
- Avoid accidental starting. Don't carry a plugged-in snow thrower with your finger on the switch. Be sure the switch is off when plugging in the unit.
- Always unplug the unit and allow it to cool before putting it into storage. Store indoors.
- Always unplug the unit when not in use, and before performing any maintenance or repairs.

WHILE OPERATING

- Walk, never run.
- Be sure the snow thrower is not in contact with anything before starting the unit.
- Stay away from the discharge opening at all times. Keep face, hands, and feet away from concealed moving or rotating parts.
- Be attentive when using the snow thrower, and stay alert for holes in the terrain and other hidden hazards or traffic.

RULES FOR SAFE OPERATION

- Do not use on a gravel surface or crushed rock surfaces. Use extreme caution when crossing gravel/crushed rock drives, walks, or roads.
- Clear snow from slopes by going up and down. Never go across the slope. Use caution when changing directions. Never clear snow from steep slopes.
- Never attempt to use the snow thrower on a roof or any steep, inclined, slippery surfaces.
- Never operate snow thrower without proper guards, plates or other safety protective devices in place.
- Never operate the snow thrower near glass enclosures, automobiles, trucks, window wells, dropoffs, etc. without proper adjustment of the snow discharge angle. Keep children and pets away.
- Don't force or overload the snow thrower. The snow thrower will perform at its best and safest when it is run at the rate for which it was designed.
- Never operate the machine at high speeds on slippery surfaces. Look behind and use care when backing up.
- Never direct discharge towards people or allow anyone in front of the unit while operating.
- Wear safety glasses or goggles that are marked as meeting ANSI Z87.1 standards, and ear/hearing protection when operating this unit.
- Use the unit only in daylight or good artificial light.
- Avoid accidental starting. Remain in the starting position whenever starting the unit. The operator and unit must be in a stable position while starting. See *Starting/Stopping Instructions*.
- Use the right tool. Only use this tool for the purpose intended.
- Do not overreach. Always keep proper footing and balance.
- Always hold the unit with both hands when operating. Keep a firm grip on handles or grips.
- Keep hands, face, and feet at a distance from all moving parts. Do not touch or try to stop the rotor when it is rotating.
- If the rotor will not rotate freely due to frozen ice, thaw the unit thoroughly before attempting to operate it under power.
- Keep the rotor clear of debris.
- Never attempt to clear the rotor with the motor running. Turn the motor off first and unplug the extension cord.
- Keep clothing and body parts away from the rotor.
- Do not operate the motor faster than the speed needed. Do not run the motor at high speed when not clearing snow.
- Always stop the motor when clearing snow is delayed or when walking from one location to another.
- Disengage power to the rotor when snow thrower is transported or not in use.
- After striking a foreign object, turn the unit off and inspect the snow thrower for damage. Unplug the unit. Repair damage before restarting and operating the unit.
- If the unit should start to vibrate abnormally, stop the unit and check immediately for the cause. Vibration is generally a warning of trouble.
- Stop the motor and unplug the unit whenever you leave the operating position, before unclogging the rotor or discharge vanes, and when making any repairs, adjustments, or inspections.
- Never discharge snow onto public roads or near moving traffic.
- Let the snow thrower run for a few minutes after clearing snow so moving parts do not freeze.
- Use only original equipment manufacturer replacement parts and accessories for this unit. These are available from your authorized service dealer. Use of any unauthorized parts or accessories could lead to serious injury to the user or damage to the unit, and void your warranty.
- Do not use the unit in the hand held position. Do not pick up the unit when it is powered and running. The unit is designed to travel along the ground.

OTHER SAFETY WARNINGS

- Be sure to secure the unit while transporting.
- Store the unit in a dry area, locked up or up high to prevent unauthorized use or damage, out of the reach of children.
- Never douse or squirt the unit with water or any other liquid. Keep handles dry, clean and free from debris. Clean after each use, see *Cleaning and Storage* instructions.
- If the labels on the unit become defaced or start lifting off, contact your authorized service dealer.
- Keep these instructions. Refer to them often and use them to instruct other users. If you loan someone this unit, also loan them these instructions.
- Maintain snow movers with care. Follow instructions for lubricating and changing accessories.

**SAVE THESE
INSTRUCTIONS**

RULES FOR SAFE OPERATION

This operator's manual describes safety and international symbols and pictographs that may appear on this product. Read the operator's manual for complete safety, assembly, operating and maintenance and repair information.

SYMBOL

MEANING



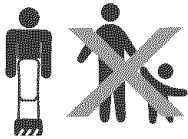
• SAFETY ALERT SYMBOL

Indicates danger, warning or caution. May be used in conjunction with other symbols or pictographs.



• WARNING - READ OPERATOR'S MANUAL

Read the operator's manual(s) and follow all warnings and safety instructions. Failure to do so can result in serious injury to the operator and/or bystanders.



• KEEP BYSTANDERS AWAY

WARNING: Keep all bystanders, especially children and pets, at least 50 feet (15 m) from the operating area.

SYMBOL

MEANING



• THROWN OBJECTS AND ROTATING CUTTER CAN CAUSE SEVERE INJURY

WARNING: Small objects can be propelled at high speed, causing injury. Keep away from the rotating rotor.



• SPINNING ROTOR CAN CAUSE SEVERE INJURY

WARNING: Keep hands, feet, and clothing away from the discharge area. Do not step in front of the unit, or use hands to clean the rotor area.



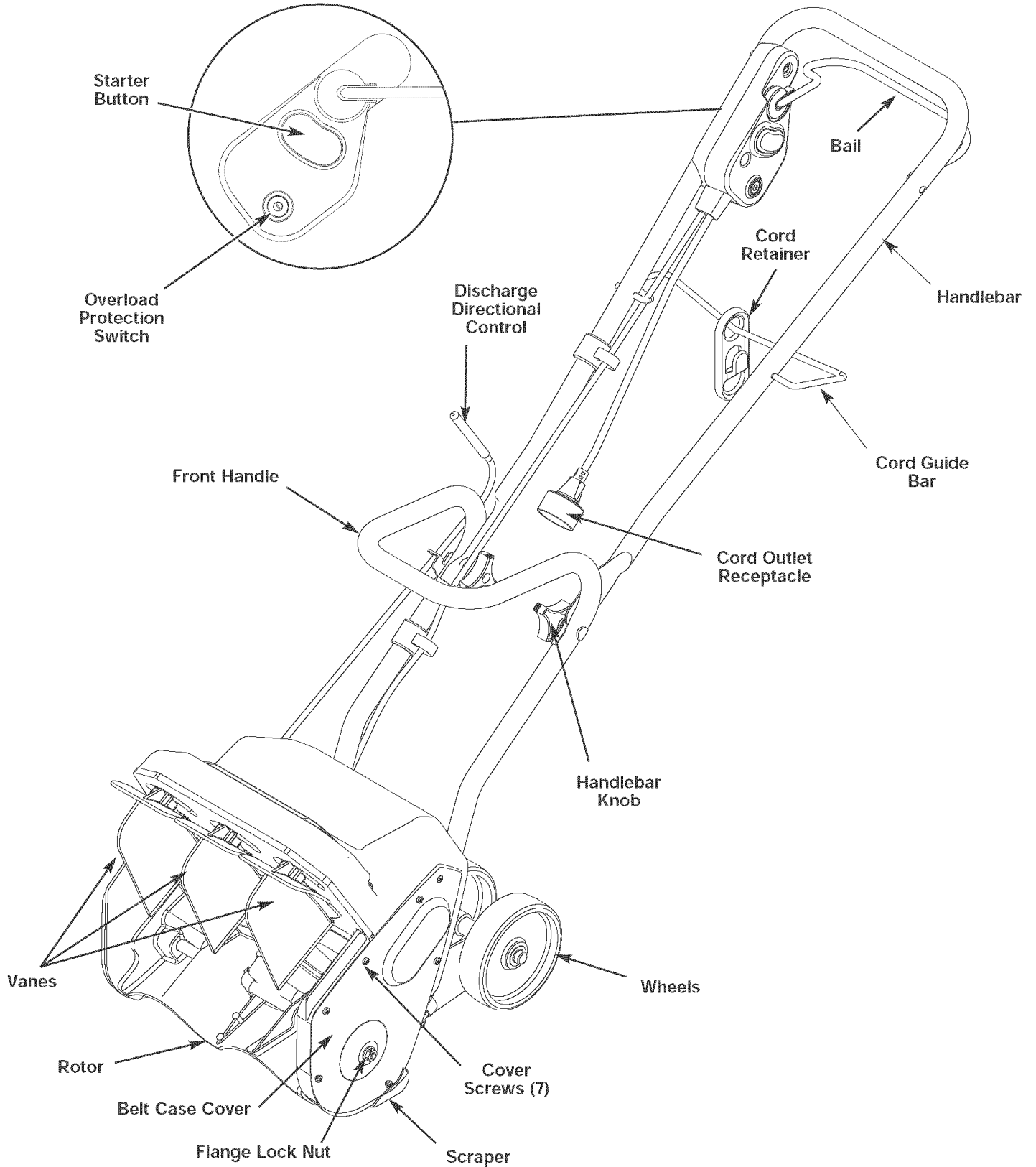
• KEEP HANDS AND FEET AWAY

RULES FOR SAFE OPERATION

APPLICATIONS

As a snow thrower:

- Clears snow from walkways, driveways, sidewalks, pathways and more



ASSEMBLY INSTRUCTIONS

ASSEMBLING THE HANDLEBARS

Before you can operate the unit, you must adjust the handlebars.

1. When you unpack the unit, loosen the two knobs on the inside of the handlebars (Fig. 1).
2. With the unit upright, swing the handlebars up into the operating position.

NOTE: Take care not to pinch the switch wires when positioning the handlebars.

3. Tighten the knobs to secure the handlebars in place.

NOTE: Do not over-tighten the knobs.

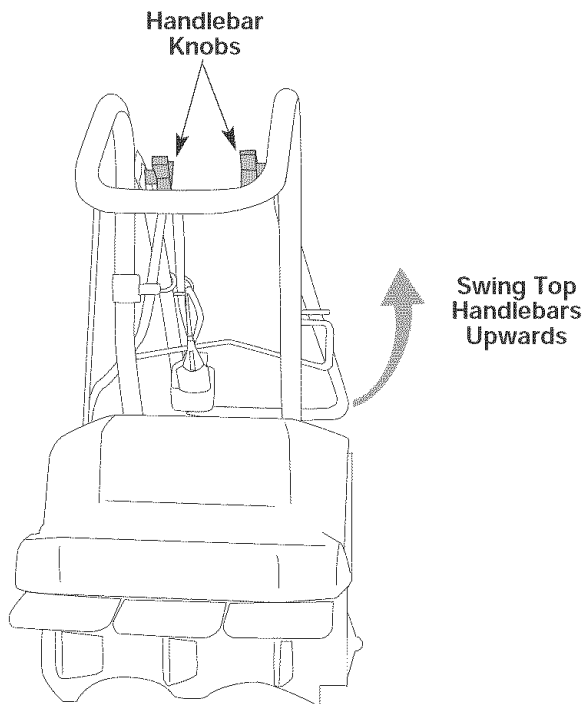


Fig. 1

USING THE CORD RETAINER

There is an extension cord retainer to prevent the extension cord from disconnecting during use. The retainer hangs from the cord guide bar.

NOTE: Do not plug the extension cord into the power source receptacle until the cord is connected to the cord retainer and plugged into the unit.

To use the cord retainer:

1. Fold the extension cord in half, forming a tight loop near the receptacle.
2. Push the loop through the bottom hole in the retainer (Fig. 2).
3. Slide the loop over the retaining clip and pull down until the cord fits snugly (Fig. 2).

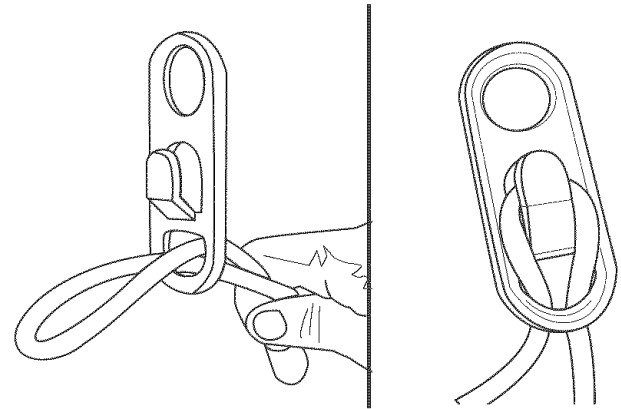


Fig. 2

NOTE: Use a UL-approved extension cord. A 100-foot, 14-gauge cord is recommended. A 50-foot, 16-gauge cord is acceptable.

Both the cord retainer and guide bar restrain the extension cord and keep it out of the way at all times, safely to the side of the operator.

The extension cord and retainer will slide on the guide bar as the unit is moved to the left and right. Connect your extension cord to the unit as shown in Figure 3.

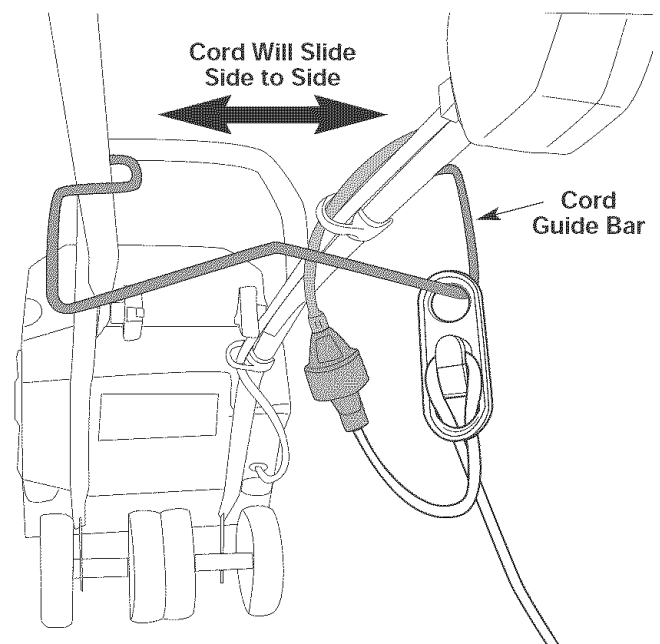


Fig. 3

OPERATING INSTRUCTIONS

STARTING INSTRUCTIONS



WARNING: Avoid accidental starting. Make sure you are in the starting position when using the snow thrower. To avoid serious injury, the operator and unit must be in a stable position while starting.

You must follow this sequence correctly to start the unit.

1. Make sure you have plugged in the unit.
2. Press in and hold the red starter button (Fig. 4).
3. While holding the starter button, lift and hold the bail.

NOTE: The unit will NOT start if you fail to press and hold the starter button until you lift the bail.

4. Hold the bail and begin operating the unit (Fig. 5).

STOPPING INSTRUCTIONS

1. Release your hand from the bail.
2. The starter button will pop out and the unit will stop.

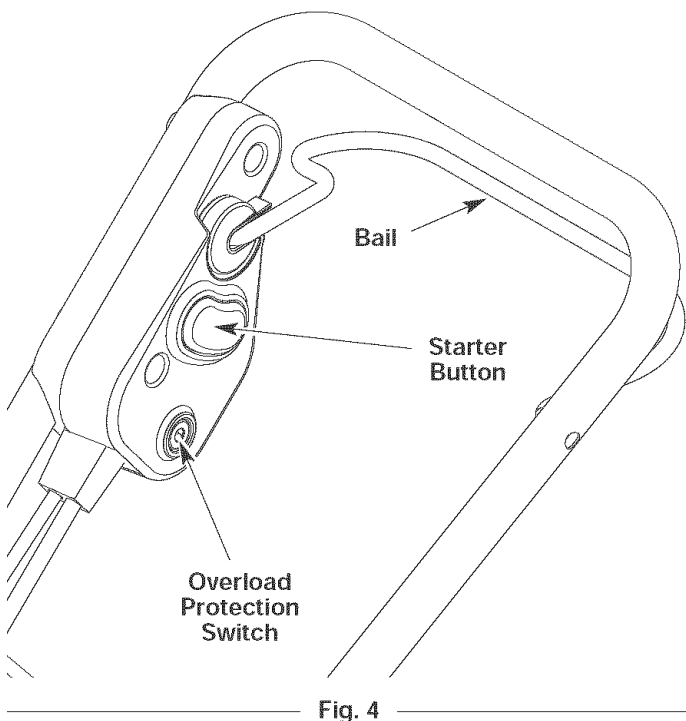


Fig. 4

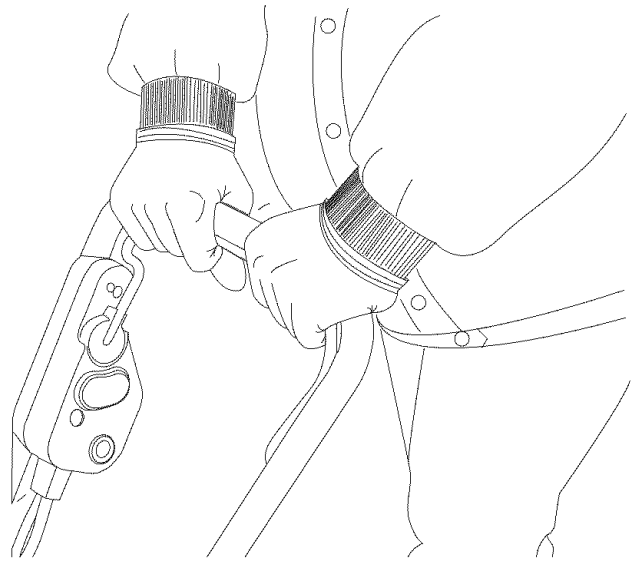


Fig. 5

OVERLOAD PROTECTION SWITCH

This unit is equipped with an overload protection switch to protect the circuit (that the unit is plugged into) from short circuit overloads.

If the switch pops out:

1. Release the bail and allow the unit to stop and cool for a minute.
2. Press the overload switch to reset. Resume operation (Fig. 4).

If the switch pops again shortly after the first time:

1. Allow the unit to cool for 15 to 30 minutes.
2. After the unit has cooled, press the overload switch to reset. Resume operation.

If the switch does not stay in, or if it continues to pop out during operation, take the unit to an authorized service dealer for repair.

OPERATING THE UNIT

1. Start the unit according to the *Starting Instructions*. The depth and weight of the snow governs the forward speed.
2. Push the unit so that it rides on the wheels and scraper.
3. Make sure the power cord is attached to the cord retainer and rests on the guide bar. The power cord should trail to the side of the operator.

OPERATING INSTRUCTIONS

Discharge Direction Adjustment

Snow may be discharged to the left, straight forward, or to the right of the operator.

To change the direction, use the following instructions:

1. Release the bail to stop the rotor.
2. Firmly grasp the discharge directional control handle and pull it up. This releases the spring-loaded rod from the discharge direction slot and allows free movement (Fig. 6)
3. Turn the discharge directional control to the left, the center or the right, depending on which direction you want to throw the snow (Fig. 7).

NOTE: From the center position, the discharge directional control turns approximately 45 degrees in either direction (left or right). Do not force it.

4. Release the discharge directional control so it fits into the slot to secure the desired position.

NOTE: Make sure the discharge directional control is securely positioned in direction slot and cannot rotate freely.

5. Restart the unit according to the *Starting Instructions*.

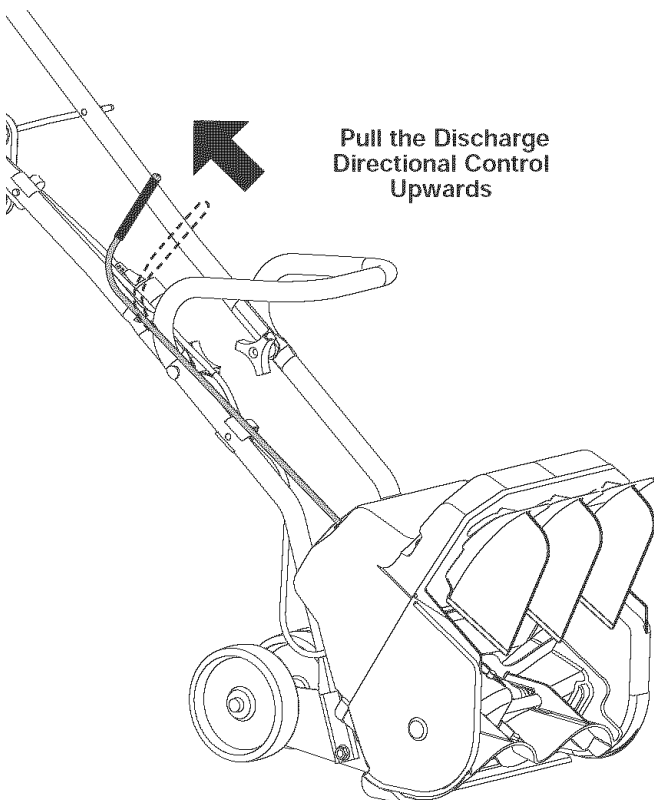


Fig. 6

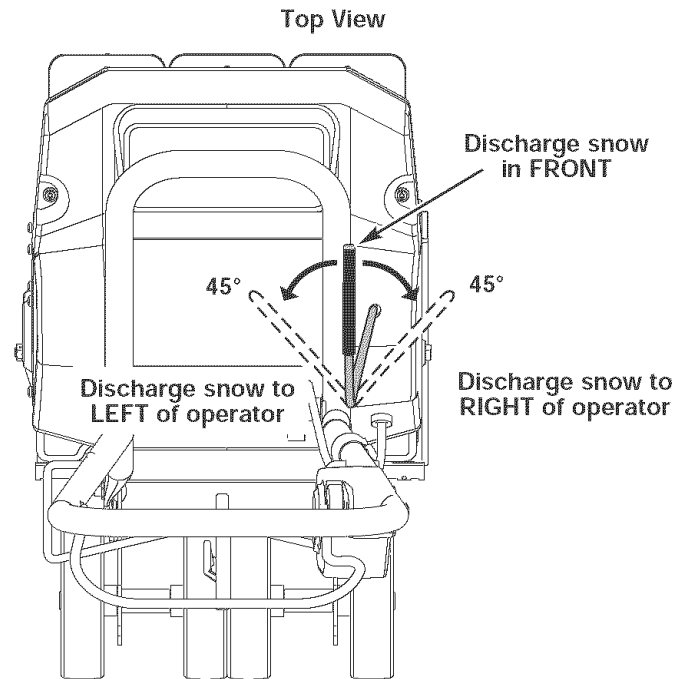


Fig. 7

Tips for Best Snow Throwing Results

- For the most efficient snow throwing, keep the vanes parallel and throw snow downwind.
- Slightly overlap each swath you make (Fig. 8).



Fig. 8

MAINTENANCE AND REPAIR INSTRUCTIONS

SERVICING THE UNIT

Extreme care and knowledge of the system is required when servicing this unit. Service should be performed by qualified service personnel only. Replacement parts for this unit must be identical to the parts they replace. Refer any repair to an authorized service dealer.

INSPECTING/REPLACING THE DRIVE BELT

When servicing the unit, use only original equipment manufacturer replacement parts. Inspect the drive belt once a year or every 50 hours of operation, whichever comes first, for wear. If the drive belt needs to be replaced, use the following instructions.



WARNING: To avoid serious personal injury, turn off the unit and allow it to cool. Unplug the unit before you perform any maintenance.

1. Remove the flange lock nut from the belt case cover with a wrench or nut driver (Fig. 9).
2. Remove the seven (7) screws from the belt case cover using a #T20 Torx bit or flat blade screwdriver (Fig. 9).



WARNING: To reduce the risk of electrical shock, replace the cover before connecting the unit to a power source.

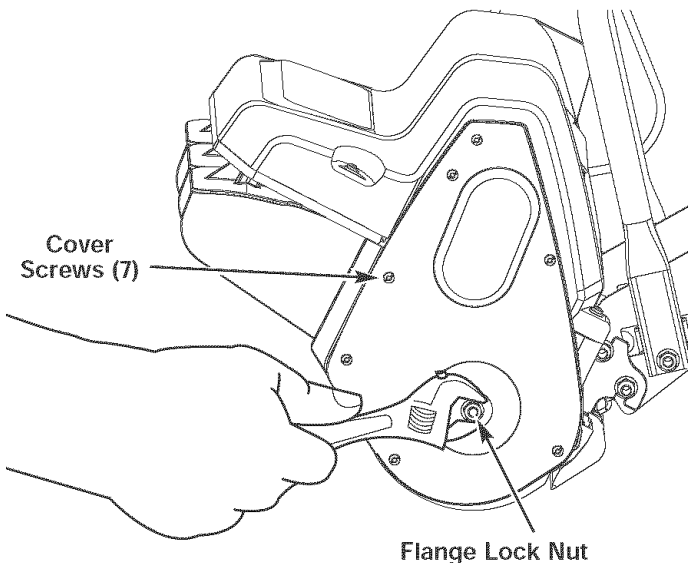


Fig. 9

3. Pull the belt tensioner (idler arm) away from the drive pulley. Remove the damaged or broken belt from the driven pulley and drive pulley inside of the housing. Discard appropriately (Fig. 10).
4. Loop the new belt around the drive pulley and driven pulley (Fig. 10). Pull the belt tensioner (idler arm) away from the drive pulley to install the belt around the drive pulley.

NOTE: Make sure the washer is still in place on the driven pulley shaft prior to reinstalling the belt case cover.

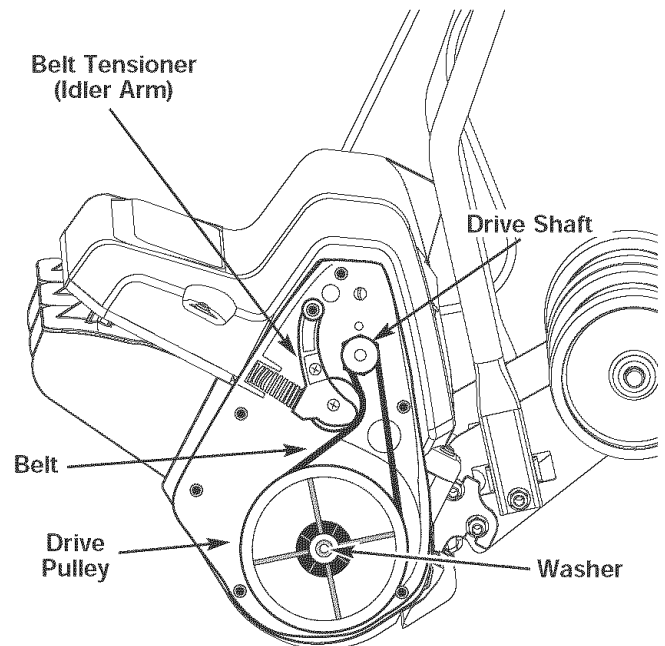


Fig. 10

5. Reinstall the cover with the seven (7) screws. To make installation easier, place the narrow part of the cover into the recess of the housing. Install the top two screws, then push the rest of the cover down into the recess and over the rotor shaft. Torque all seven (7) screws to **18-23 in•lb (2.0-2.5 N•m)**.
6. Reinstall the flange lock nut. Torque the nut to **80-100 in•lb (9.0-11.2 N•m)**.

NOTE: If the flange lock nut is damaged, do not replace it with a standard nut. Replace only with an original equipment manufacturer replacement part.

MAINTENANCE AND REPAIR INSTRUCTIONS

REPLACING THE SCRAPER

Use only original equipment manufacturer replacement parts.



WARNING: To avoid serious personal injury, always turn your unit off and unplug it before you perform maintenance.

1. Place the unit on the ground or on a work bench. Position the unit so the vanes and rotor are facing up.
2. Beneath the rotor, locate the three (3) screws securing the scraper to the housing. Remove them using a #T20 Torx bit or flat blade screwdriver (Fig. 11).
3. Remove the scraper and discard it appropriately.
4. The new scraper will snap into place. Once in place, attach it to the unit by reinstalling the three (3) screws.

Torque the screws to:

25-30 in•lb (2.8-3.3 N•m).

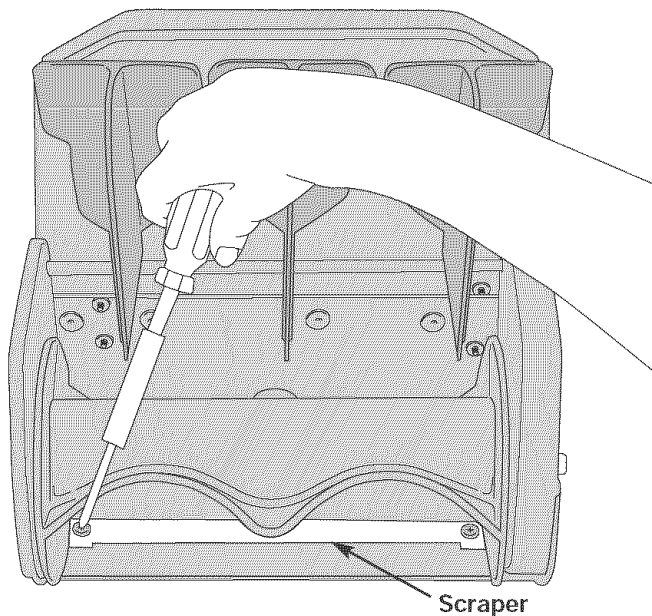


Fig. 11

STORAGE

- Allow the motor to cool before storing.
- Store the unit locked up to prevent unauthorized use or damage.
- Store the unit in a dry, well-ventilated area.
- Store the unit out of the reach of children.

CLEANING



WARNING: To avoid serious personal injury, always turn your unit off and unplug it before you clean or service it.

Use a small brush to clean off the outside of the unit. Do not use strong detergents. Household cleaners that contain aromatic oils such as pine and lemon, and solvents such as kerosene, can damage plastic housing or handle. Wipe off any moisture with a soft cloth.

TRANSPORTING

- Secure the unit while transporting.
- To move the unit, grasp it by the top and middle front handles (Fig. 12).
- If you are transporting the unit with the handles folded, be careful not to make contact and accidentally bend the discharge directional control (Fig. 6). If you bend or damage the control, you can no longer adjust the vanes.



Fig. 12

TROUBLESHOOTING

UNIT WILL NOT START

CAUSE

Unit is unplugged
 Starter button or bail were improperly used
 Overload protection switch has popped out

ACTION

Check cord to make sure it is plugged into an electrical outlet
 Press in starter button, hold it, and hold bail
 Push it in and follow the *Starting Instructions*

MOTOR IS ON, BUT ROTOR WILL NOT TURN

CAUSE

Belt is damaged

ACTION

Replace the belt, according to *Inspecting/Replacing the Driver Belt*

UNIT LEAVES A THIN LAYER OF SNOW ON PLOWED SURFACES

CAUSE

Scraper is worn

ACTION

Replace the scraper

If further assistance is required, contact your authorized service dealer

SPECIFICATIONS

MOTOR*

Motor type A.C., 120 Volts Electric
 Operating RPM..... up to 14,000 rpm
 Ignition Switch..... Bail Lock Safety Button
 Amperage..... 8.5 amps
 Overload Protection 120V, 15 amp Breaker

DRIVE SHAFT ASSEMBLY AND SNOW THROWER UNIT*

Handles Steel Tube
 Approximate Unit Weight 20 lbs. (9 kg.)
 Snow Depth (maximum) 6 inches (0.152 meters)
 Cleared Path Width..... 12.5 inches (0.318 meters)

*All specifications are based on the latest product information available at the time of printing. We reserve the right to make changes at any time without notice.

MANUFACTURER'S LIMITED WARRANTY FOR:



The limited warranty set forth below is given by MTD LLC ("MTD") with respect to new merchandise purchased and used in the United States, its possessions and territories.

MTD warrants this product against defects in material and workmanship for a period of two (2) years commencing on the date of original purchase and will, at its option, repair or replace, free of charge, any part found to be defective in material or workmanship. This limited warranty shall only apply if this product has been operated and maintained in accordance with the Operator's Manual furnished with the product, and has not been subject to misuse, abuse, commercial use, neglect, accident, improper maintenance, alteration, vandalism, theft, fire, water or damage because of other peril or natural disaster. Damage resulting from the installation or use of any accessory or attachment not approved by MTD for use with the product(s) covered by this manual will void your warranty as to any resulting damage. This warranty is limited to ninety (90) days from the date of original retail purchase for any MTD product that is used for rental or commercial purposes, or any other income-producing purpose.

HOW TO OBTAIN SERVICE: Warranty service is available, WITH PROOF OF PURCHASE THROUGH YOUR LOCAL AUTHORIZED SERVICE DEALER. To locate the dealer in your area, please check for a listing in the Yellow Pages or contact the Customer Service Department of MTD LLC by calling 1-800-345-8746 or writing to P.O. Box 361131, Cleveland OH 44136-0019 or if in Canada call 1-800-668-1238. No product returned directly to the factory will be accepted unless prior written permission has been extended by the Customer Service Department of MTD LLC.

This limited warranty does not provide coverage in the following cases:

- A. Tune-ups - Spark Plugs, Carburetor Adjustments, Filters.
- B. Wear items - Bump Knobs, Outer Spools, Cutting Line, Inner Reels, Starter Pulley, Starter Ropes, Drive Belts.
- C. MTD does not extend any warranty for products sold or exported outside of the United States of America, its possessions and territories, except those sold through MTD's authorized channels of export distribution.

MTD reserves the right to change or improve the design of any MTD Product without assuming any obligation to modify any product previously manufactured.

No implied warranty, including any implied warranty of merchantability or fitness for a particular purpose, applies after the applicable period of express written warranty above as to the parts as identified. No other express warranty or guaranty, whether written or oral, except as mentioned above, given by any person or entity, including a dealer or retailer, with respect to any product shall bind MTD. During the period of the Warranty, the exclusive remedy is repair or replacement of the product as set forth above. (Some states do not allow limitations on how long an implied warranty lasts, so the above limitation may not apply to you.)

The provisions as set forth in this Warranty provide the sole and exclusive remedy arising from the sales. MTD shall not be liable for incidental or consequential loss or damages including, without limitation, expenses incurred for substitute or replacement lawn care services, for transportation or for related expenses, or for rental expenses to temporarily replace a warranted product. (Some states do not allow limitations on how long an implied warranty lasts, so the above limitation may not apply to you.)

In no event shall recovery of any kind be greater than the amount of the purchase price of the product sold. Alteration of the safety features of the product shall void this Warranty. You assume the risk and liability for loss, damage, or injury to you and your property and/or to others and their property arising out of the use or misuse or inability to use the product.

This limited warranty shall not extend to anyone other than the original purchaser, original lessee or the person for whom it was purchased as a gift.

How State Law Relates to this Warranty: This warranty gives you specific legal rights, and you may also have other rights which vary from state to state.

To locate your nearest service dealer dial 1-800-345-8746 in the United States or 1-800-668-1238 in Canada.

MTD LLC
P.O. Box 361131
Cleveland, OH 44136-0019

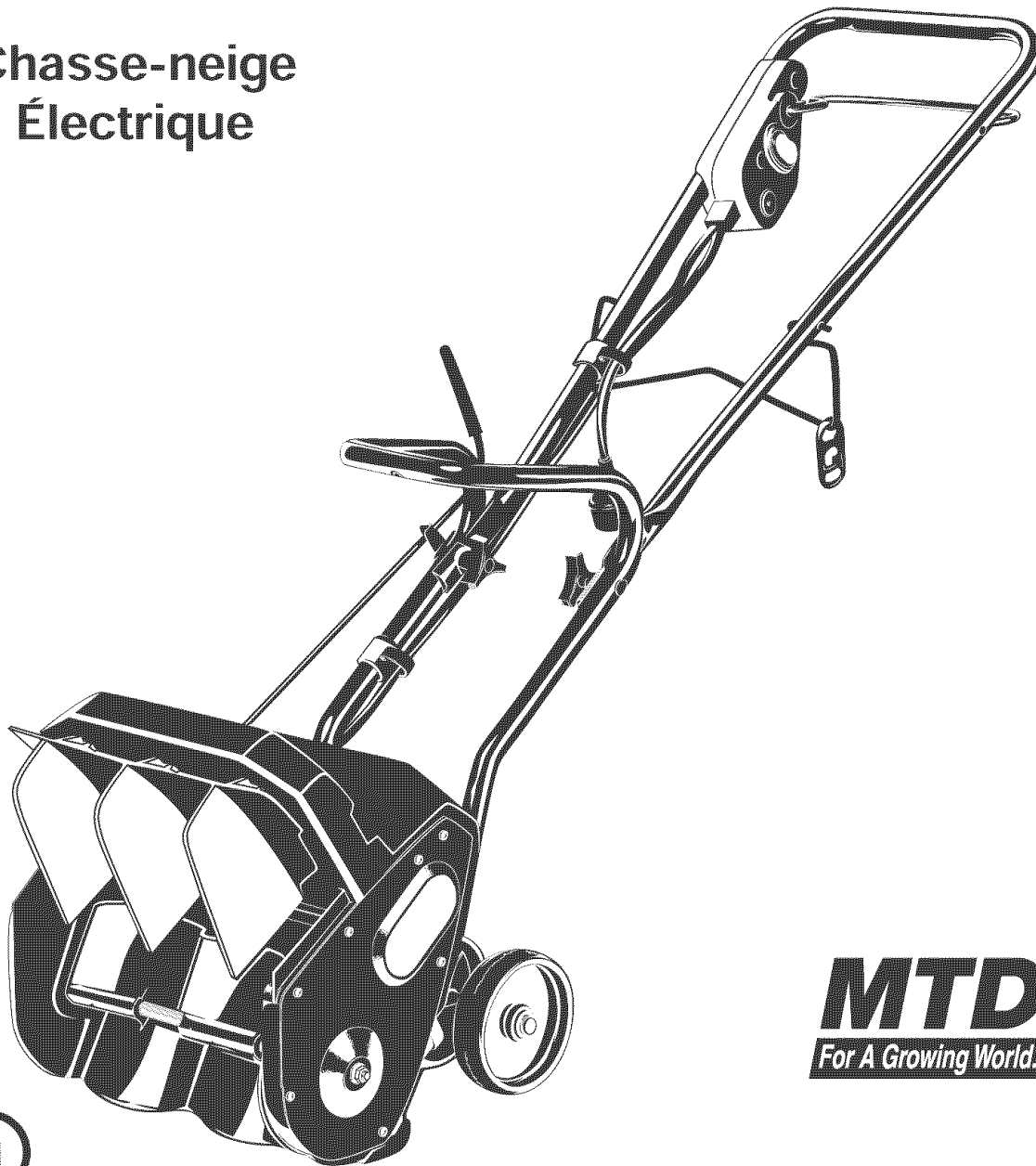
YARD-MAN

by MTD

Manuel de l'utilisateur

Chasse-neige
Électrique

Français



IMPORTANT : lisez soigneusement les règles et consignes de sécurité avant de faire fonctionner cet équipement.

INTRODUCTION

TOUS NOS REMERCIEMENTS

Nous vous remercions d'avoir acheté ce produit de qualité. Cet outil mécanique de plein air moderne est conçu pour vous rendre service pendant longtemps. Il vous sauvera beaucoup de temps comme vous pourrez vous en rendre compte. Ce manuel de l'utilisateur comporte un mode d'emploi facile à comprendre. Prenez soin de lire le manuel au complet et suivez toutes ses instructions à la lettre afin de conserver votre nouvel outil mécanique de plein air en excellent état de fonctionnement.

RÉFÉRENCES, ILLUSTRATIONS ET SPÉCIFICATIONS RELATIVES AU PRODUIT

Toutes les informations, illustrations et spécifications contenues dans ce manuel tiennent compte des dernières informations techniques disponibles au moment de mettre sous presse. Nous nous réservons le droit d'y apporter des modifications à tout moment, sans préavis.

Copyright© 2003 MTD SOUTHWEST INC., Tous droits réservés.

INFORMATIONS D'ENTRETIEN

Tout entretien effectué sur cet appareil pendant et après la période de garantie doit être fait par un concessionnaire agréé uniquement. Obtenez la liste des concessionnaires agréés appelez le **1-800-345-8746**, ou le **1-800-668-1238** au Canada. Pour de plus amples informations à propos de votre appareil, visitez www.yardman.com.

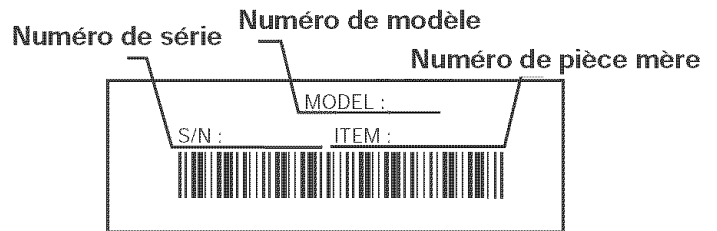
NE RETOURNEZ PAS L'APPAREIL AU DÉTAILLANT CHEZ QUI VOUS L'AVEZ ACHETÉ. TOUT SERVICE SOUS GARANTIE NÉCESSITE UNE PREUVE D'ACHAT.

Avant d'assembler votre nouvel équipement, repérez la plaque signalétique de l'appareil et copiez ses informations dans l'espace ci-dessous. Ces informations sont essentielles si vous désirez obtenir de l'aide auprès de notre service technique ou d'un distributeur agréé. Un exemple de plaque signalétique est présenté ci-dessous.

TABLE DES MATIÈRES

Service technique	2
Consignes de sécurité	3
Familiarisez-vous avec votre appareil	7
Instructions de montage	8
Mode d'emploi	10
Entretien et réparations	11
Nettoyage et entreposage	12
Tableau de dépannage	13
Caractéristiques	13
Garantie	14
Liste des pièces . . . Intérieure de la Couverture Arrière	

Si vous éprouvez des difficultés à assembler ce produit ou si vous avez des questions concernant les commandes, le fonctionnement ou l'entretien de cet appareil, veuillez communiquer avec notre service technique.



Copiez le numéro de modèle / pièce mère ici : _____

Copiez le numéro de série ici : _____

Prenez soin de lire et de bien comprendre ce manuel avant de démarrer ou de faire fonctionner cet équipement.

CE PRODUIT EST COUVERT PAR UN OU PLUSIEURS BREVETS AMÉRICAINS, ET D'AUTRES SONT EN INSTANCE.

CONSIGNES DE SÉCURITÉ

Les symboles de sécurité attirent votre attention sur des dangers potentiels. Ces symboles et leurs détails explicatifs méritent que vous les lisiez et compreniez bien. Les avertissements de sécurité ne peuvent éviter les dangers de par eux-mêmes. Les consignes ou mises en garde qu'ils donnent ne remplacent pas des mesures préventives appropriées contre les accidents.

SYMBOLE SIGNIFICATION



ALERTE DE SÉCURITÉ:

indique un danger, un avertissement ou une mise en garde. Soyez vigilant afin d'éviter toute blessure grave. Ce symbole peut être combiné à d'autres symboles ou pictogrammes.

REMARQUE: donne des informations ou des instructions vitales pour le fonctionnement ou l'entretien de l'équipement.

Lisez le(s) manuel(s) de l'utilisateur et suivez tous les avertissements et consignes de sécurité. Vous pourriez à défaut entraîner des blessures graves pour vous ou d'autres personnes.

SI VOUS AVEZ DES QUESTIONS, APPELEZ LE 1-800-345-8746 AUX ÉTATS-UNIS, OU LE 1-800-668-1238 AU CANADA

SYMBOLE SIGNIFICATION



DANGER: le non-respect d'un avertissement peut causer dommages matériels ou blessures graves pour tous. Respectez les consignes de sécurité afin de réduire les risques d'incendie, d'électrocution et de blessures.



AVERTISSEMENT: le non-respect d'un avertissement peut causer dommages matériels ou blessures graves pour tous. Respectez les consignes de sécurité afin de réduire les risques d'incendie, d'électrocution et de blessures.



MISE EN GARDE: le non-respect d'un avertissement peut causer dommages matériels ou blessures graves pour tous. Respectez toujours les consignes de sécurité afin de réduire les risques d'incendie, d'électrocution et de blessures.

• IMPORTANTES CONSIGNES DE SÉCURITÉ •

LIRE TOUTES LES INSTRUCTIONS



AVERTISSEMENT: suivez soigneusement les consignes de sécurité lorsque vous utilisez cet appareil. Dans l'intérêt de votre sécurité et de celle des personnes à proximité, prenez soin de lire ces instructions avant de faire fonctionner la machine. Veuillez garder les instructions en lieu sûr pour un usage ultérieur

Avant L'utilisation

- Veuillez lire le manuel de l'utilisateur attentivement. Familiarisez-vous avec les commandes et l'utilisation correcte de l'appareil. Sachez comment arrêter l'appareil et désactiver les commandes rapidement.
- N'utilisez pas l'appareil si vous êtes fatigué, malade ou sous l'effet de l'alcool, de drogues ou de médicaments.
- Les enfants et adolescents de moins de 15 ans ne doivent pas utiliser l'appareil exceptés les adolescents assistés d'un adulte.
- Inspectez l'appareil avant utilisation. Remplacez les pièces endommagées. Assurez-vous que les fixations sont solidement en place. Remplacez les pièces du souffleur à neige qui sont fendillées, ébréchées ou endommagées.
- Faites preuve de prudence pour éviter de glisser ou tomber.

- Inspectez soigneusement la zone où vous comptez utiliser la souffleur à neige. Retirez tous les paillassons, traîneaux, planches, fils, débris et autres corps étrangers qui pourraient être projetés par la souffleur à neige.
- Assurez-vous que le rotor peut tourner librement avant de utiliser cet appareil.
- Habillez-vous correctement. Portez des vêtements d'hiver appropriés pour le travail à l'extérieur. Portez des pantalons épais et longs, des bottes, des gants et une chemise à manches longues. Ne marchez pas pieds nus et évitez vêtements lâches, bijoux, pantalons courts et sandales. Relevez les cheveux au-dessus des épaules.
- Portez des chaussures étanches qui assurent une bonne prise sur les surfaces glissantes. Portez des bottes en caoutchouc.
- N'effectuez jamais de réglages pendant que le moteur est en marche.
- Laissez le moteur et la machine s'adapter à la température extérieure avant de déblayer la neige.
- Portez toujours des lunettes de sécurité en tout temps durant l'utilisation de l'appareil, ou lorsque vous effectuez des opérations de réglage ou de réparation, afin de protéger les yeux des corps étrangers pouvant être projetés par la machine.

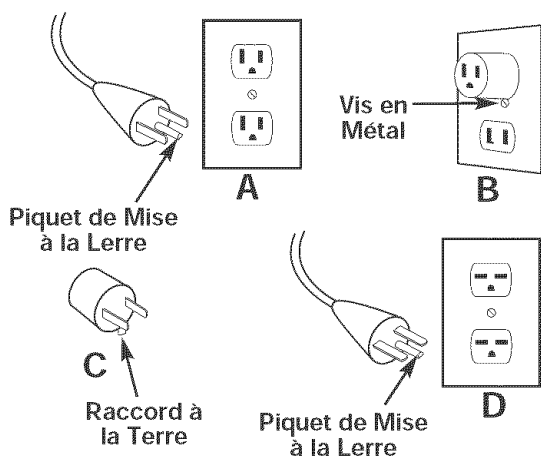
CONSIGNES DE SÉCURITÉ

AVERTISSEMENTS DE SÉCURITÉ ÉLECTRIQUE



AVERTISSEMENT: respectez toujours les consignes de sécurité durant l'utilisation d'appareils de électriques afin de réduire les risques d'incendie, d'électrocution et de blessures. Prenez soin de bien lire et comprendre tout le manuel de l'utilisateur avant d'utiliser la souffeuse/aspirateur. Faites particulièrement attention au mode d'emploi et aux avertissements de sécurité.

- Ce chasse-neige devrait être raccordé à la terre lors de son utilisation pour éviter l'électrocution de l'opérateur. Le chasse-neige est équipé d'un cordon à 3 conducteurs agréé et d'une fiche de type terre à trois ergots pour être branchée dans la prise terre approprié. Le conducteur vert ou vert/jaune dans le cordon est le fil de terre. Ne branchez jamais ce fil à un terminal sous tension. Si votre machine est utilisée avec du courant de moins de 150 volts, il possède une fiche qui ressemble à A dans la figure ci-dessous. Si elle est prévue pour être utilisée avec du courant 150 à 250, elle possède une fiche qui ressemble à D dans la figure.



- Un adaptateur (montré dans B et C sur la figure ci-dessus) est disponible pour connecter les fiches de terre à 3 ergots à des prises à 2 ergots. Le raccord à la terre de l'adaptateur doit être branché à une prise de terre permanente comme un boîtier de sortie convenablement mis à la terre. Aucun adaptateur n'est disponible pour la fiche montrée dans D.
- N'utilisez que des rallonges à 3 fils qui ont des fiches de type terre à 3 ergots et des prises à 3 pôles qui acceptent la fiche du chasse-neige. Remplacez ou réparez les cordons endommagés.
- N'utilisez pas de rallonges ayant souffert d'abus. Netirez jamais la souffeuse à neige par son cordon et ne la débranchez pas de la prise en tirant sur le cordon.



AVERTISSEMENT: Pour réduire le risque de choc électrique, utilisez cordons de type SW-A, SOW-A, STW-A, STOW-A, SJW-A, SJOW-A, SJTW-W ou SJTOW.

CALIBRE MINIMUM DES RALLONGES ALIMENTANT DES APPAREILS 120V, A COURANT DE CHARGE DE 0-12 AMPS

Long. de cordon (pieds)	25	50	100	150
Calibre du cordon (AWG)	16	16	14	14

- **JEUX DE CORDONS:** Veuillez vous adresser à votre concessionnaire pour voir quelle rallonge utiliser avec ce produit. Vérifiez que votre jeu de cordons est en bon état de fonctionnement. Si vous utilisez un jeu de cordons, assurez vous de bien utiliser un cordon de calibre suffisant pour laisser passer le courant de charge de votre appareil. Un jeu de cordons à section trop faible risque de provoquer des chutes de tension de ligne, qui entraînent une perte de puissance et une surchauffe. Le tableau ci-dessous donne les calibres corrects à utiliser, en fonction de la longueur du cordon et de la valeur de l'intensité nominale. En cas de doute, utilisez la section de câble immédiatement supérieure. Un numéro de calibre faible correspond à une forte section de câble. Référez vous à la *Mode D'emploi* pour réduire le risque de débranchement du cordon de l'appareil pendant le fonctionnement, du jeu de cordons.
- Le(s) circuit(s) électrique(s) ou la(les) prise(s) d'alimentation de cet outil de jardinage doit(doivent) comporter une protection de type GFCI (qui coupe le circuit en cas de défaut de terre). Il existe des prises qui comportent une protection GFCI, et que l'on peut utiliser dans ce cas de figure.
- Votre appareil est pourvu d'une plaquette du constructeur, qui indique le type de tension à utiliser. N'alimentez jamais cet appareil avec une tension alternative différente de celle affichée.



AVERTISSEMENT: Utilisez avec une rallonge prévue pour être utilisée à l'extérieur pour éviter toute électrocution.

- Procédez à une inspection périodique de vos rallonges électriques et de la fiche de raccord de votre appareil. Examinez plus particulièrement l'isolation qui ne doit pas présenter de traces de détérioration, de coupures ou de mise à nu. Inspectez également les raccords qui doivent être en bon état. Si les cordons paraissent endommagés, remplacez les ou réparez les.
- Durant un nettoyage, une inspection ou une réparation, assurez-vous que le rotor et les pièces mobiles sont arrêtés. Débranchez la rallonge pour empêcher l'appareil de démarrer accidentellement.
- Protégez la rallonge de la chaleur, de l'huile et des bords tranchants pour éviter de l'endommager.
- Si la rallonge est endommagée de quelque manière que ce soit alors qu'elle est branchée, déconnectez-la de la prise.
- Évitez que la tête d'entraînement de la souffeuse à neige ne se déconnecte de la rallonge en utilisant un connecteur de retenue. Voir *Retenue de Cordon Prolongateur*.
- Évitez tout démarrage accidentel. Ne transportez pas l'appareil branché avec le doigt sur l'interrupteur. Veillez à ce que l'interrupteur soit en position off lorsque vous branchez la machine.
- Débranchez toujours l'appareil et laissez-le se refroidir avant de le ranger. Rangez-le à l'intérieur.
- Débranchez toujours l'appareil lorsqu'il n'est pas utilisé et avant de faire tout entretien ou réparation.

CONSIGNES DE SÉCURITÉ

PENDANT L'UTILISATION DE L'APPAREIL

- Marchez, ne courez jamais.
- Avant de démarrer l'appareil, assurez-vous que le Snow Buster ne touche aucun objet.
- Éloignez-vous toujours de l'ouverture de la décharge. Gardez le visage, les mains et les pieds éloignés des pièces mobiles ou rotatives dissimulées.
- Soyez attentif lorsque vous utilisez la souffleuse à neige, et faites attention aux trous sur le terrain ainsi qu'aux dangers dissimulés ou pouvant provenir de la circulation.
- N'utilisez pas l'appareil sur des surfaces recouvertes de gravier ou de pierres concassées. Faites extrêmement attention lorsque vous traversez des allées, chemins ou routes de gravier ou pierres concassées.
- Sur les pentes, débroyez la neige en vous déplaçant vers le haut et vers le bas. Ne débroyez jamais les pentes en diagonale. Faites attention lorsque vous changez de direction. Ne débroyez jamais la neige sur des pentes raides.
- N'essayez jamais d'utiliser la souffleuse à neige sur un toit ou des surfaces raides, inclinées ou glissantes.
- Ne faites jamais fonctionner la souffleuse à neige sans écrans, plaques ou autres dispositifs de protection en place.
- Ne faites jamais fonctionner la souffleuse à neige à proximité d'enceintes en verre, d'automobiles, de camions, de murettes d'encadrement de soupirail, de lieux de débarquement, etc. sans avoir ajusté au préalable l'angle de la décharge de neige. Tenez les enfants et les animaux à l'écart.
- Ne forcez pas ni ne surchargez la souffleuse à neige. Elle accomplira un travail de meilleure qualité, en présentant moins de dangers, si vous respectez la cadence nominale pour laquelle elle a été conçue.
- Ne faites jamais fonctionner la machine à vitesse rapide sur des surfaces glissantes. Regardez derrière vous et faites attention lorsque vous faites marche arrière.
- Ne débroyez jamais en direction des gens et écarter-les de votre chemin pendant l'utilisation de l'appareil.
- Portez des lunettes de sécurité conformes aux normes ANSI Z87.1 ainsi que des protège-oreilles durant l'utilisation de l'appareil. Portez un masque facial ou antipoussières si vous travaillez dans un lieu poussiéreux.
- N'utilisez l'appareil qu'en plein jour ou avec un bon éclairage artificiel.
- Évitez tout démarrage accidentel. Mettez-vous en position de démarrage chaque fois que vous tirez sur la corde de démarrage. L'opérateur et l'appareil doivent tous deux être en position stable à ce moment-là. Voir les *Instructions de démarrage et d'arrêt*.
- Servez-vous des outils appropriés. N'utilisez cet outil que pour son usage prévu.
- Ne vous étirez pas. Tenez-vous toujours bien sur vos pieds en position d'équilibre.
- Tenez toujours l'appareil des deux mains lorsque vous le faites marcher. Agrippez fermement les poignées avant et arrière.
- Gardez les mains, le visage et les pieds éloignés des pièces mobiles. Ne touchez pas l'hélice en rotation et n'essayez pas de l'arrêter.
- Si le rotor ne tourne pas librement parce qu'il est pris par la glace, dégelez soigneusement l'appareil avant d'essayer de le faire fonctionner avec le moteur.

- Veillez à maintenir le rotor exempt de débris.
- N'essayez jamais de nettoyer le rotor alors que le moteur est en marche. Éteignez d'abord le moteur.
- Tenez les vêtements et les parties du corps à l'écart du rotor.
- Ne faites pas tourner le moteur à un régime excessif. Ne faites pas tourner le moteur à haut régime si vous ne débroyez pas la neige.
- Arrêtez toujours le moteur si le travail est retardé ou si vous vous déplacez d'un lieu à l'autre.
- Coupez le moteur du rotor lorsque la souffleuse à neige est transportée ou non utilisée.
- Si vous heurtez un corps étranger, éteignez la tête d'entraînement et vérifiez que la souffleuse à neige n'est pas endommagée. Débranchez l'appareil. Réparez tout dommage avant de redémarrer et utiliser l'appareil.
- Si l'appareil se met à vibrer de manière anormale, arrêtez la tête d'entraînement et procédez immédiatement à une vérification. Les vibrations indiquent généralement la présence d'un problème.
- Arrêtez le moteur et débranchez l'appareil chaque fois que vous n'êtes plus en position de fonctionnement, avant de déboucher le rotor ou les aubes de décharge, et lorsque vous procédez à des réparations, réglages ou inspections.
- Ne soufflez jamais la neige en direction d'une route publique ou près de circulation routière.
- Laissez la souffleuse à neige tourner pendant quelques minutes après avoir débroyé la neige pour éviter que les pièces mobiles ne gèlent pas.
- N'utilisez que des pièces de équipement original rechange et accessoires d'origine pour cet appareil. Elles sont disponibles auprès de votre concessionnaire agréé. L'utilisation de pièces ou accessoires autres que ceux de équipement original peut causer des blessures graves, endommager l'appareil et annuler sa garantie.
- N'utilisez pas l'appareil lorsque vous le tenez à la main. Ne ramassez pas l'appareil lorsqu'il fonctionne. La machine est conçue pour se déplacer sur le sol.

AUTRES AVERTISSEMENTS DE SÉCURITÉ

- Laissez le moteur se refroidir avant de l'entreposer ou de le transporter. Attachez bien l'appareil pendant le transport.
- Rangez l'appareil dans un endroit verrouillé et sec, ou élevé et sec, hors de portée des enfants, pour éviter une utilisation indésirable ou un accident.
- Si les étiquettes sur la machine deviennent illisibles ou commencent à se décoller, veuillez contacter votre concessionnaire agréé.
- Ne trempez et n'arrosez jamais l'appareil avec de l'eau ou tout autre liquide. Gardez les poignées sèches, propres et exemptes de débris. Nettoyez après chaque usage. Voir la section *Nettoyage et Entreposage*.
- Conservez ces instructions. Consultez-les souvent et servez-vous en pour instruire d'autres usagers. Si vous prêtez l'appareil à quelqu'un, prêtez-lui également ces instructions.

**CONSERVEZ CES
INSTRUCTIONS**

CONSIGNES DE SÉCURITÉ

Ce manuel de l'utilisateur décrit les symboles et pictogrammes de sécurité et internationaux pouvant apparaître sur ce produit. Consultez le manuel de l'utilisateur pour les informations concernant la sécurité, le montage, le fonctionnement, l'entretien et les réparations.

SYMBOLE

SIGNIFICATION



• SYMBOLE ALERTE DE SÉCURITÉ

Indique un danger, un avertissement ou une mise en garde. Ce symbole peut être combiné à d'autres symboles ou pictogrammes.



• AVERTISSEMENT - LISEZ LE MANUEL DE L'UTILISATEUR

Lisez le manuel de l'utilisateur et suivez tous les avertissements et consignes de sécurité. Vous pourriez à défaut entraîner des blessures graves pour vous ou d'autres personnes.



• ÉLOIGNEZ LES SPECTATEURS

AVERTISSEMENT:

éloignez tout spectateur, les enfants et les animaux domestiques en particulier, d'au moins 15 m (50 pi) de la zone de coupe.

SYMBOLE

SIGNIFICATION



• LES OBJETS PROJETÉS PEUVENT PROVOQUER DES BLESSURES GRAVES

AVERTISSEMENT:

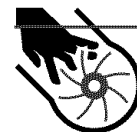
les petits objets peuvent être projetés à grande vitesse, ce qui peut causer des blessures.



• LE ROTOR EN ROTATION PEUT PROVOQUER DES BLESSURES GRAVES

AVERTISSEMENT:

gardez les mains, les pieds et les vêtements éloignés de la décharge de la souffleuse. Ne vous tenez pas devant l'appareil et ne nettoyez pas le rotor à la main.



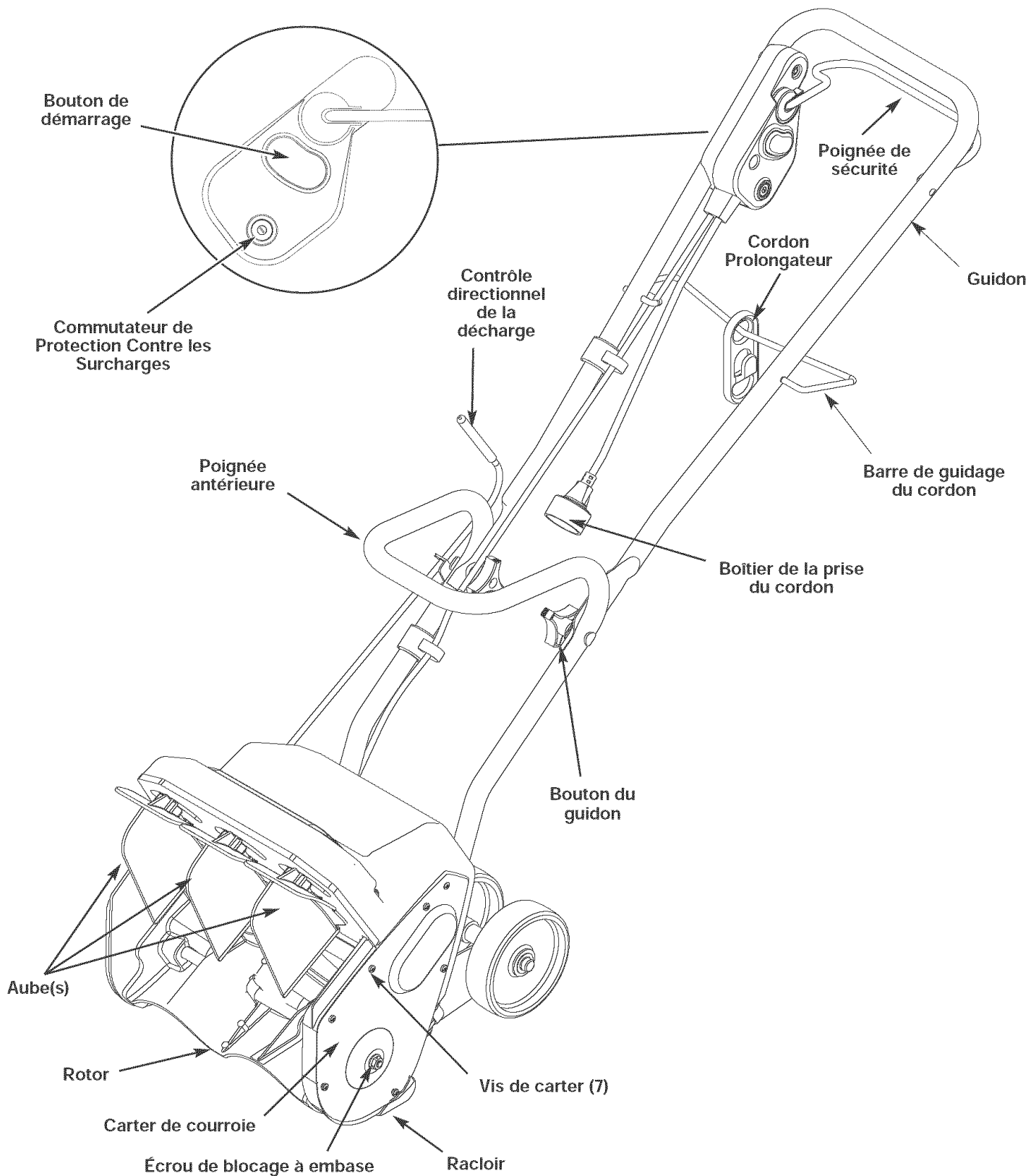
• GARDER MAINS ET PIEDS À DISTANCE

CONSIGNES DE SÉCURITÉ

APPLICATIONS

Utilisation en tant que souffleuse à neige :

- Déblaie la neige des chemins, passages, trottoirs, voies, etc.



INSTRUCTIONS DE MONTAGE

POSITIONNEMENT DES POIGNÉES

Vous devez régler les poignées avant de vous servir de la machine.

1. Lorsque vous déballez l'appareil, desserrez les deux boutons à l'intérieur des poignées (Fig. 1).
2. Tenez l'appareil droit et placez les poignées en position de fonctionnement

REMARQUE : Prenez soin de ne pas pincer le câble de la manette ni les fils du contact d'allumage lorsque vous positionnez les poignées.

3. Vissez les boutons pour maintenir les poignées en place.

NOTE : Évitez de trop serrer les boutons.

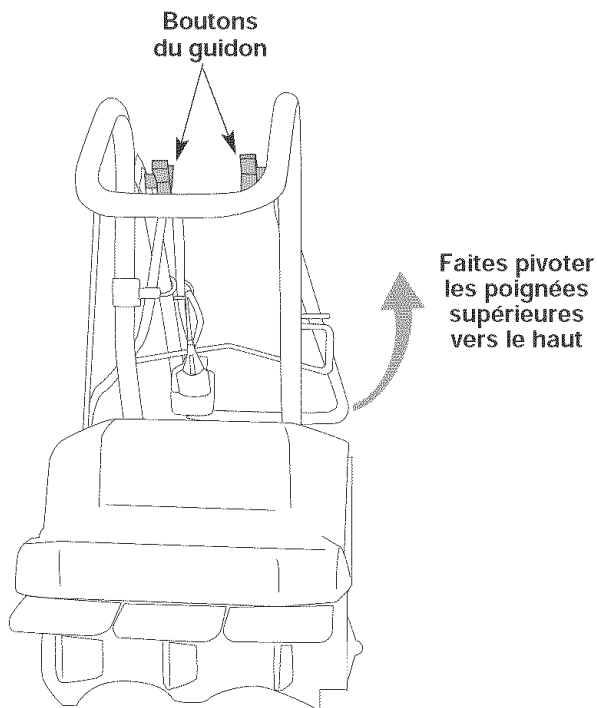


Fig. 1

RETENUE DE CORDON PROLONGATEUR

Il y a un arrêt pour la rallonge pour empêcher qu'elle se débranche pendant l'utilisation. La retenue pend de la barre de guidage du cordon.

REMARQUE: ne mettez pas la rallonge dans la prise d'alimentation avant que le cordon soit raccordé à la retenue du cordon et raccordé sur la machine.

Pour utiliser la retenue du cordon:

1. Pliez la rallonge en deux et formez une boucle serrée près de la prise.
2. Poussez la boucle dans le trou inférieur dans l'arrêt (Fig. 2).
3. Faites glisser la boucle par-dessus l'étrier et tirez vers le bas jusqu'à ce que le cordon soit bien rentré (Fig. 2)

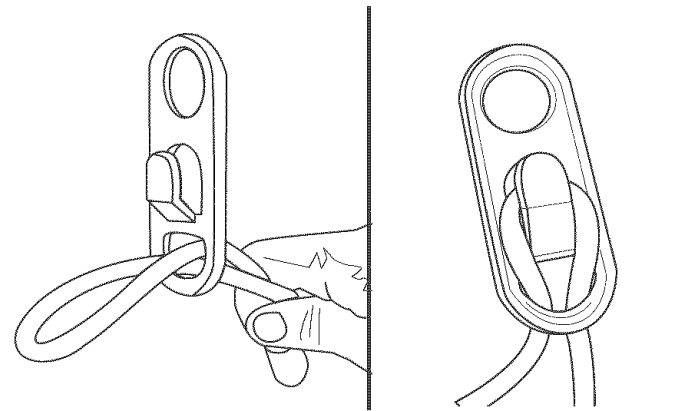


Fig. 2

REMARQUE: Utilisez une rallonge agréée UL. Nous recommandons un câble de 100 pieds (31 m), calibre 14. Un câble de 50 pieds (15 m), calibre 16 est acceptable.

La retenue du cordon et la barre de guidage retiennent la rallonge et la maintiennent toujours en dehors du chemin, en toute sécurité du côté de l'opérateur.

La rallonge et la retenue se glissent dans la barre de guidage lorsque l'appareil se déplace vers la gauche et la droite. Raccordez votre rallonge sur l'appareil comme indiqué dans la Figure 3.

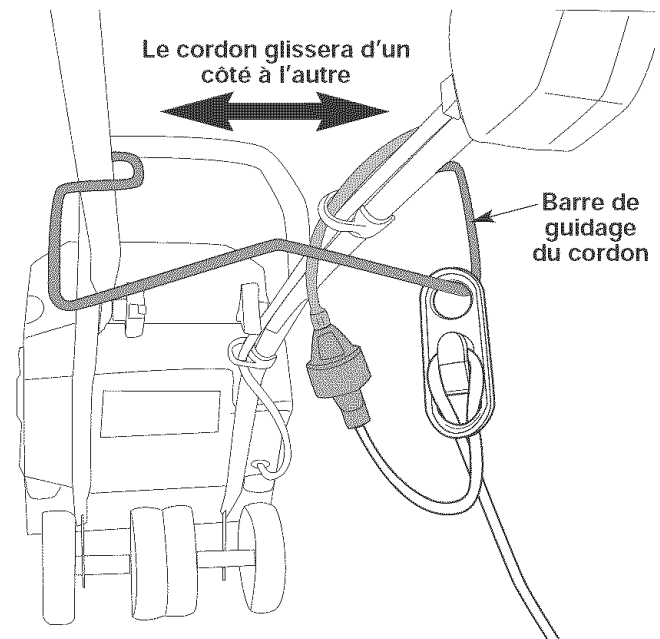


Fig. 3

MODE D'EMPLOI

INSTRUCTIONS DE DÉMARRAGE



AVERTISSEMENT: Éviter le démarrage accidentel. Se tenir en position de démarrage pour lancer le moteur. Lors du démarrage, l'opérateur et l'outil doivent être en position d'équilibre afin d'éviter le risque de blessures graves.

Vous devez suivre ces étapes dans l'ordre pour démarrer la machine.

1. Assurez-vous que vous avez raccordé la machine.
2. Appuyez sur le bouton de démarrage rouge et maintenez-le enfoncé (Fig. 4)
3. Tandis que vous tenez le bouton de démarrage, levez et tenez la poignée de sécurité.

REMARQUE: La machine NE démarrera PAS si vous ne poussez pas le bouton de démarrage enfoncé jusqu'à ce que vous levez la poignée de sécurité.

4. Tenez la poignée de sécurité et utilisez la machine (Fig. 5).

INSTRUCTIONS D'ARRÊT

1. Relâchez la prise de votre main sur la poignée de sécurité.
2. Le bouton du démarreur sortira et la machine s'arrêtera.

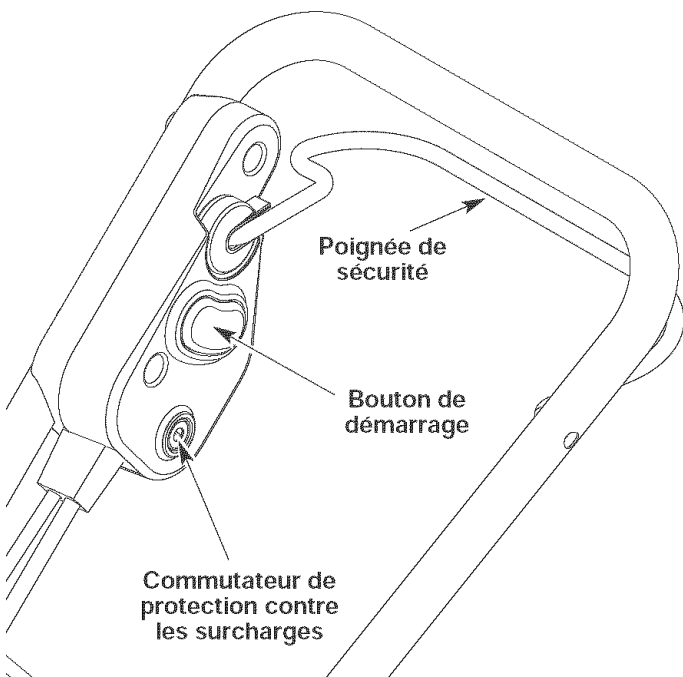


Fig. 4

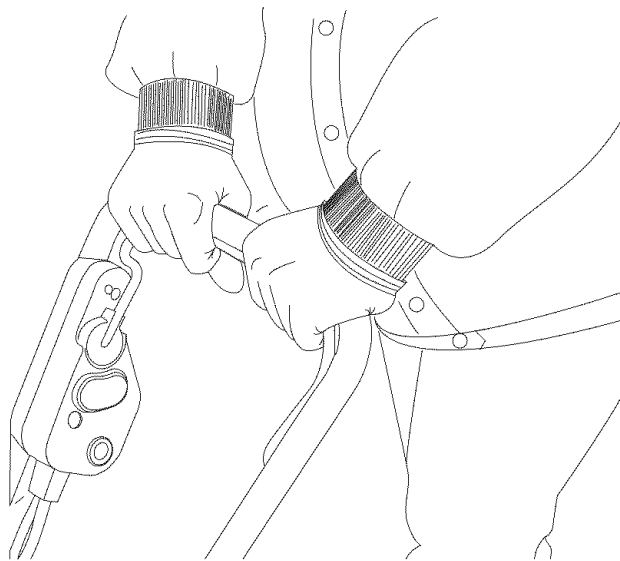


Fig. 5

COMMUTATEUR DE PROTECTION CONTRE LES SURCHARGES

Cette machine est équipée d'un disjoncteur de surcharge pour protéger le circuit (auquel la machine est branchée) contre les courts-circuits.

Si le commutateur se déclenche.

1. Relâchez la poignée de sécurité et laissez l'appareil refroidir pendant une minute.
2. Appuyez sur le commutateur de surcharge pour le réarmer et reprenez le travail (Fig. 7).

Si le commutateur se déclenche de nouveau juste après la première fois.

1. Laissez l'appareil refroidir pendant 15 à 30 minutes.
2. Après cela, appuyez sur le commutateur de surcharge pour le réarmer et reprenez le travail.

Si le commutateur ne reste pas en place et continue de sauter, faites réparer l'appareil par un concessionnaire agréé.

UTILISATION L'APPAREIL

1. Démarrez l'appareil selon les *Instructions de démarrage*. La profondeur et le poids de la neige déterminent la vitesse de marche avant.
2. Poussez l'appareil de manière à ce que l'unité roule sur le racloir.
3. Assurez-vous que le cordon d'alimentation est bien attaché à la retenue du cordon et repose sur la barre de guidage. Il devrait traîner derrière l'opérateur.

MODE D'EMPLOI

Réglage de la direction de soufflage

La neige peut être soufflée vers la gauche, le centre ou la droite.

Pour changer la direction, suivez les instructions ci-dessous:

1. Relâchez la poignée de sécurité pour arrêter le rotor.
2. Saisissez fermement la poignée du contrôle directionnel de décharge et tirez vers le haut. Ceci dégage la tige, sous tension de ressort, de la fente de direction de décharge actuelle, et libère son mouvement (Fig. 6).
3. Tournez le contrôle directionnel de décharge vers la gauche, le centre ou la droite, selon la direction vers laquelle vous voulez projeter la neige (Fig. 7).

REMARQUE : à partir de la position centrale, le contrôle directionnel de décharge tourne d'environ 45 degrés dans chaque direction (gauche ou droite). Ne forcez pas.

4. Dégagez le contrôle directionnel de décharge, de la fente de direction de décharge, afin d'établir le sens de projection de la neige voulu.

REMARQUE : assurez-vous que le contrôle directionnel de décharge est bien positionné dans la fente de direction et qu'il ne peut bouger.

5. Redémarrez la machine selon les *Instructions de démarrage*.

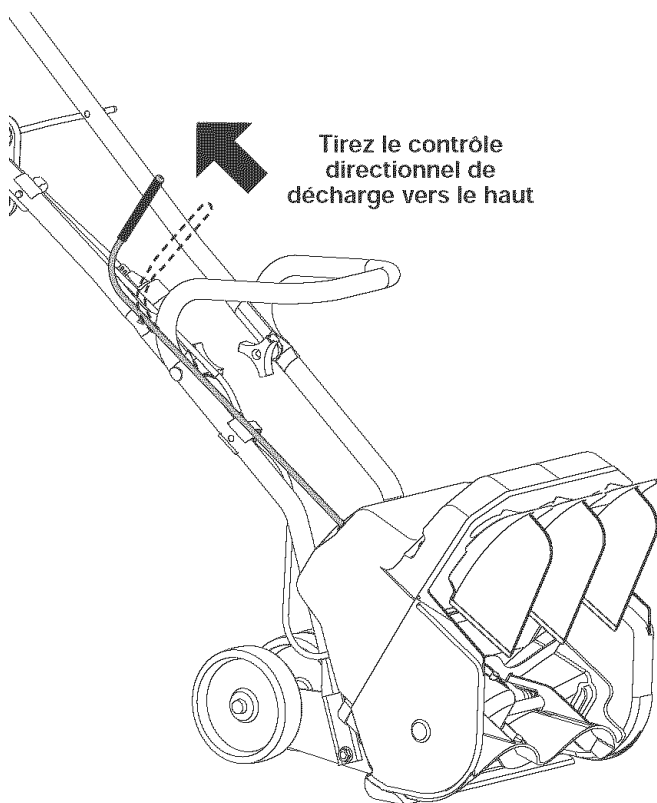


Fig. 6

Vue du dessus

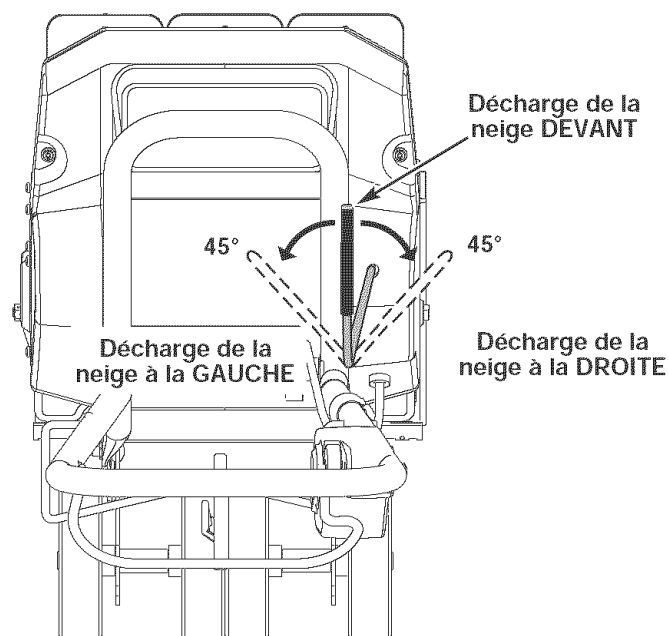


Fig. 7

Conseils pour bien utiliser l'appareil

- Pour obtenir un soufflage efficace de la neige, les aube(s) doivent être parallèles, la neige doit être dirigée dans le même sens que le vent.
- Chaque passage doit légèrement déborder sur le précédent. (Fig. 8).



Fig. 8

ENTRETIEN ET RÉPARATIONS

ENTRETIEN D'APPAREILS

L'entretien de ces appareils exige soins minutieux et compétence technique, et doit être effectué par un personnel qualifié uniquement. Les pièces de rechange doivent être identiques aux pièces remplacées. Confiez toute réparation à un concessionnaire agréé.

INSPECTION/REPLACEMENT DE LA COURROIE D'ENTRAÎNEMENT

Pour toute réparation du Snow Buster, utilisez seulement des pièces de rechange fabricant d'origine. Inspectez la courroie d'entraînement une fois par an ou toutes les 50 heures d'utilisation, suivant la première échéance, au cas où elle serait usée. Si elle doit être remplacée, suivez les instructions ci-dessous.



AVERTISSEMENT: pour éviter des blessures graves, éteignez toujours l'appareil et débranchez l'appareil avant tout nettoyage ou entretien.

1. Enlevez l'écrou de blocage à embase du carter de courroie à l'aide d'une clé ou d'un tourne-écrou (Fig. 9).
2. Retirez les sept (7) vis, qui retiennent le couvercle du boîtier de la courroie, à l'aide d'un tournevis à lame plate ou d'une mèche no. T20 Torx (Fig. 9).



ADVERTENCIA: Pour réduire le risque d'électrocution, remettez le couvercle avant de raccorder le produit à une source d'alimentation.

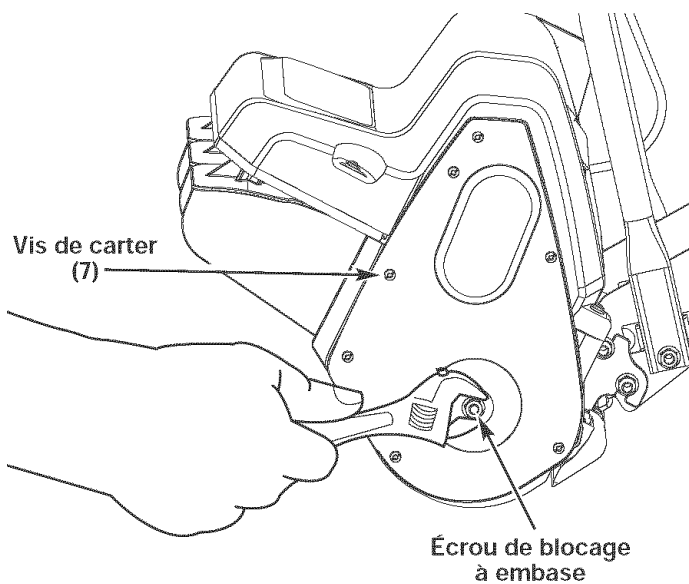


Fig. 9

3. Tirez le tendeur de courroie (bras de renvoi) pour l'écartier de la poulie motrice. Retirez la courroie endommagée ou cassée des poulies conduite et motrice qui se trouve à l'intérieur du boîtier. Mettez-la au rebut de manière responsable (Fig. 10).
4. Mettez en place la nouvelle courroie autour de la poulie motrice et de la poulie conduite (Fig. 10). Tirez le tendeur de courroie (bras de renvoi) en arrière pour enrouler la courroie autour de la poulie motrice.

REMARQUE : assurez-vous que la rondelle est toujours en place sur l'arbre de poulie conduite avant de replacer le couvercle du boîtier de la courroie.

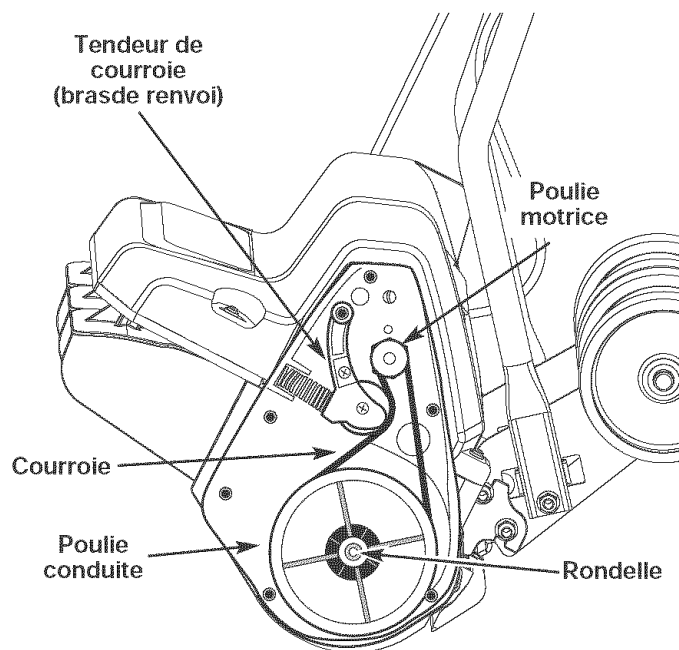


Fig. 10

5. Remplacez le couvercle à l'aide des sept vis. Pour faciliter l'installation, placez la partie étroite du couvercle dans le renforcement du boîtier. Posez les deux vis supérieures, puis enfoncez le reste du couvercle dans le renforcement et par dessus l'arbre du rotor. Serrez les sept vis avec un couple de serrage de **2,0 à 2,5 N•m (18 à 23 po•lb)**.
6. Remplacez l'écrou de blocage à embase. Serrez l'écrou avec un couple de serrage de **9,0 à 11,2 N•m (80 à 100 po•lb)**.

REMARQUE : si l'écrou de blocage à embase est endommagé, ne le remplacez pas par un écrou standard. Utilisez uniquement une pièce de rechange fabricant d'origine.

ENTRETIEN ET RÉPARATIONS

REPLACEMENT DU RACLOIR

Utilisez seulement des pièces de rechange fabricant d'origine.



AVERTISSEMENT: pour éviter des blessures graves, éteignez toujours l'appareil et débranchez l'appareil avant tout nettoyage ou entretien.

1. Place l'appareil sur le sol ou un établi. Positionnez l'appareil de façon à ce que les aubes et le rotor soient tournés vers le haut.
2. Sous le rotor, repérez puis retirez les trois (3) vis, qui retiennent le racloir au boîtier, à l'aide d'un tournevis à lame plate ou d'une mèche no. T20 Torx (Fig. 11).
3. Retirez le racloir et mettez-le au rebut de manière responsable.
4. Fixez le racloir neuf à l'appareil à l'aide des trois vis. Serrez les vis avec un couple de serrage de: **2,8 à 3,3 N•m (25 à 30 po•lb).**

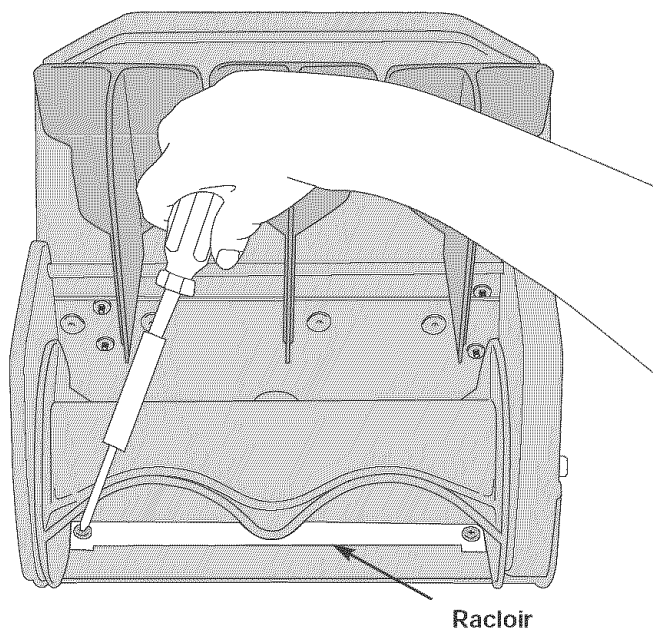


Fig. 11

ENTREPOSAGE

- Laissez le moteur se refroidir avant de l'entreposer.
- Rangez l'appareil dans un lieu verrouillé pour éviter toute utilisation ou accident indésirable.
- Rangez l'appareil dans un lieu sec et bien aéré.
- Rangez l'appareil hors de la portée des enfants.
- Store the unit out of the reach of children.

NETTOYAGE



AVERTISSEMENT: pour éviter des blessures graves, éteignez toujours l'appareil et débranchez l'appareil avant tout nettoyage ou entretien.

Nettoyez l'extérieur de l'appareil à l'aide d'une petite brosse. N'utilisez pas de détergents concentrés. Les nettoyants ménagers contenant des huiles aromatiques tel que le pin et le citron, et les solvants tel que le kérosène peuvent endommager le boîtier ou la poignée en plastique. Essuyez toute trace d'humidité à l'aide d'un tissu doux.

TRANSPORT

- Attachez bien l'appareil lors du transport.
- Saisissez la machine par les poignées du haut et du milieu (Fig. 12).
- Si vous transportez la machine avec les poignées pliées, veillez à ne pas toucher ou plier accidentellement la commande directionnelle de décharge (Fig. 6). Si vous pliez ou endommagez la commande, vous ne pourrez plus régler les vannes.



Fig. 12

DÉPANNAGE

LE MOTEUR REFUSE DE DÉMARRER

CAUSE

Moteur s'arrête ou le cordon électrique

Le bouton de démarrage ou la poignée de sécurité ont été mal utilisés

SOLUTION

Vérifier le cordon électrique et s'assurer qu'il est branché dans une prise électrique

Maintenez le bouton de démarrage enfoncé et tenez la poignée de sécurité

LE MOTEUR ACCÉLÈRE, MAIS LE ROTOR NE TOURNE PAS

CAUSE

Courroie endommagée

SOLUTION

Remplacez la courroie dans la Section *Inspection/ Remplacement de la courroie d'entraînement*

LA MACHINE LAISSE UNE FINE COUCHE DE NEIGE SUR LES SURFACES DÉBLAYÉES

CAUSE

Le grattoir est usé

SOLUTION

Remplacez le grattoir

Si vous avez besoin d'aide, contactez votre concessionnaire agréé

CARACTÉRISTIQUES

MOTEUR*

Type de moteur..... électrique, 120 volts c.a.
Vitesse nominale (tours minute)9.500 - 14.000 tours / mn
Commutateur de démarrage..... Bouton de sécurité de la poignée de sécurité
Intensité..... 8,5 amps
Protection Contre les Surcharges Disjoncteur de 120 V, 15 amp

ARBRE D'ENTRAÎNEMENT ET SOUFFLEUSE A NEIGE*

Guidonst Tube acier
Poids de l'appareil..... 9 kg (20 lb)
Profondeur de la neige (maximum)..... 0,152 mètres (6 inches)
Largeur du chemin dégagé 0,3175 mètres (12,5 inches)

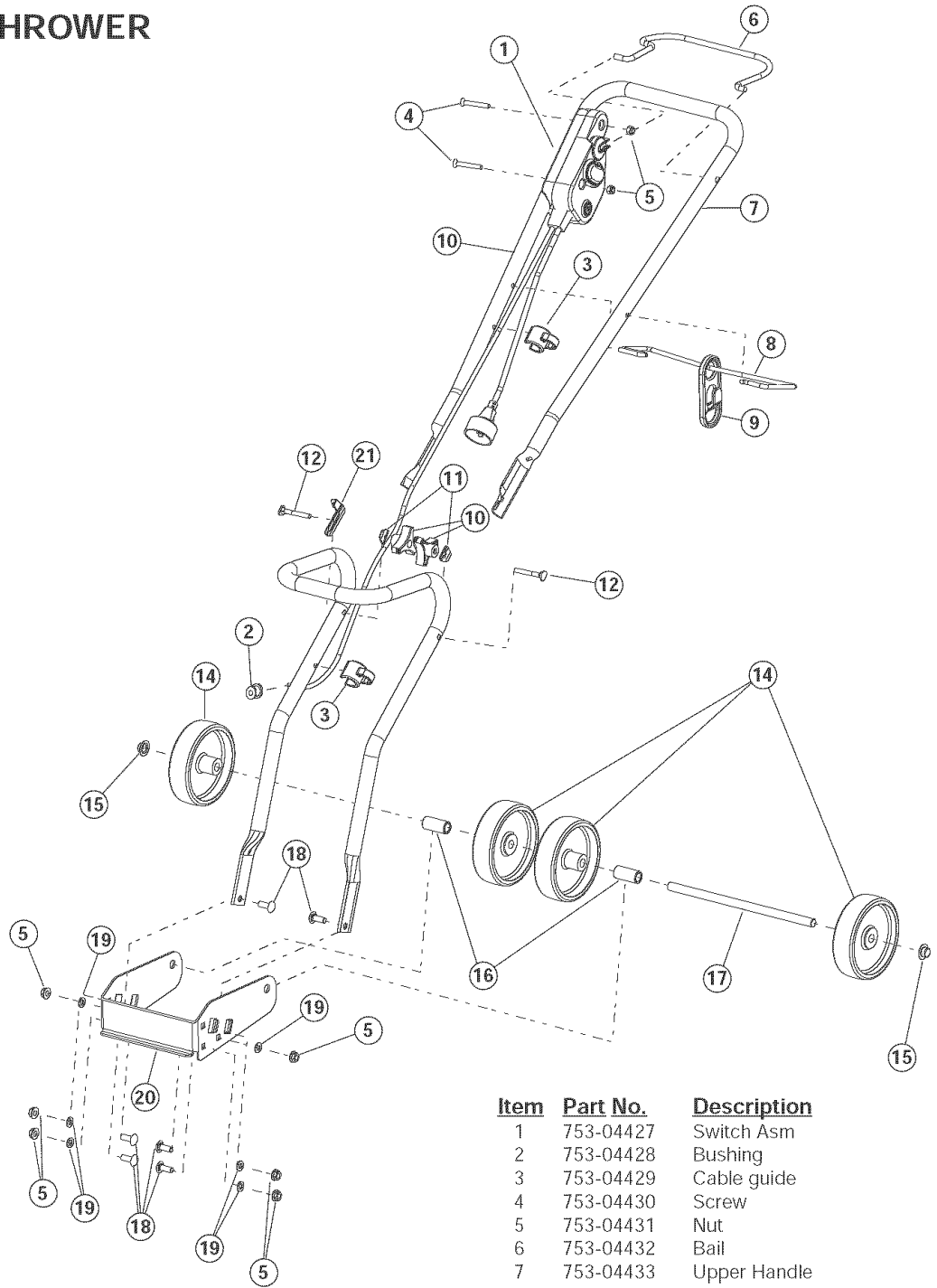
*Toutes les spécifications contenues dans ce manuel tiennent compte des dernières informations techniques disponibles au moment de mettre sous presse. Nous nous réservons le droit d'y apporter des modifications à tout moment, sans préavis.

REMARQUE

REMARQUE

PARTS LIST

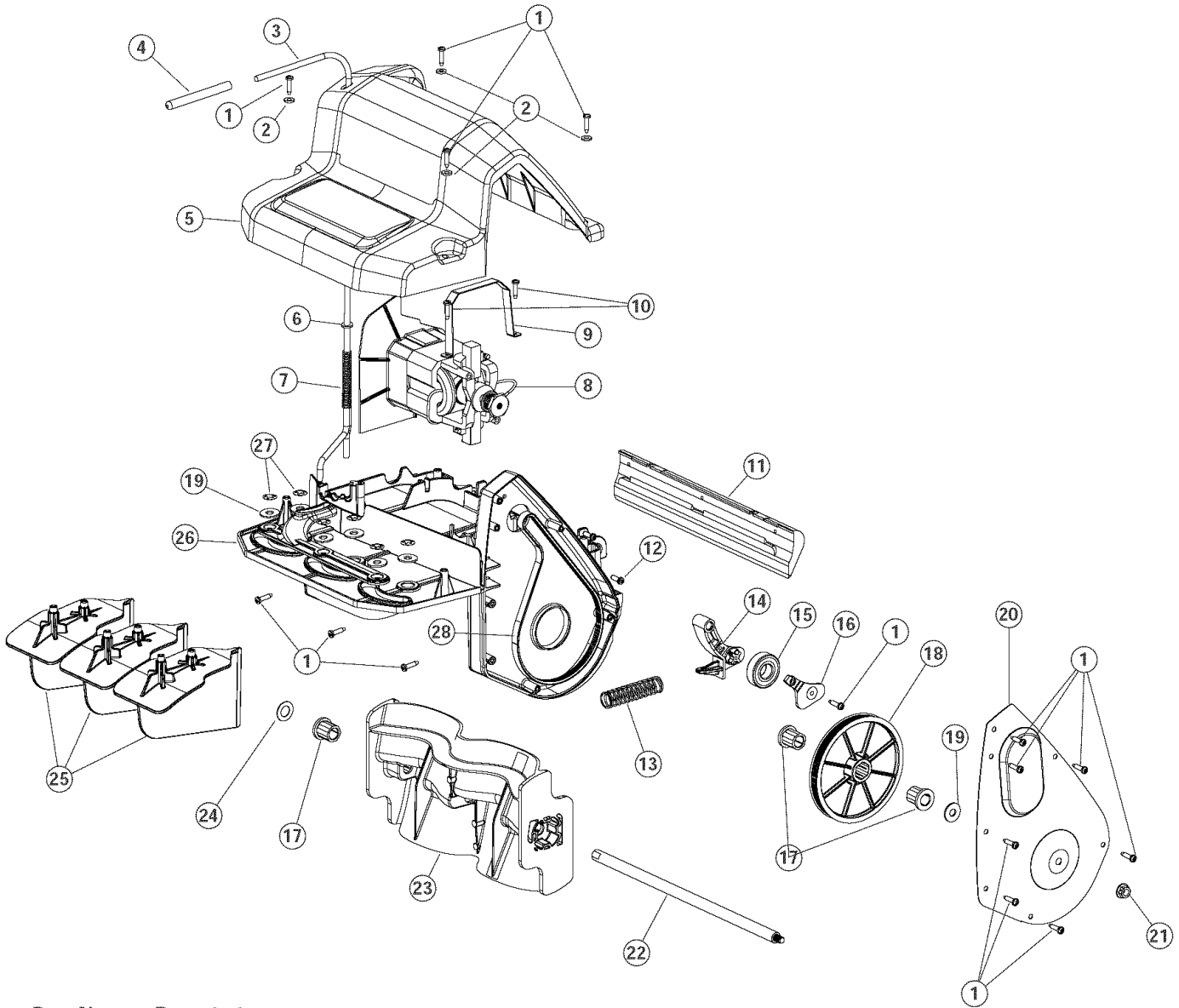
HANDLE PARTS ELECTRIC SNOW THROWER



Item	Part No.	Description
1	753-04427	Switch Asm
2	753-04428	Bushing
3	753-04429	Cable guide
4	753-04430	Screw
5	753-04431	Nut
6	753-04432	Bail
7	753-04433	Upper Handle
8	753-04434	Guide Bar
9	753-04435	Cord Restraint
10	791-182677	Knob
11	753-04052	Washer
12	791-182899	Bolt
13	753-04436	Lower Handle
14	753-04437	Wheel
15	753-04062	Push Cap
16	753-04438	Spacer
17	753-04439	Axel
18	791-182213	Bolt
19	791-182678	Washer
20	753-04440	Wheel Bracket
21	753-04441	Control Rod Bracket

PARTS LIST

MOTOR/TROWER PARTS ELECTRIC SNOW THROWER



Item	Part No.	Description
------	----------	-------------

1	791-181345	Screw
2	791-182409	Washer
3	791-000012	Vane Control Handle (includes 4)
4	791-000001	Grip
5	753-04416	Cover
6	753-04079	Washer
7	791-000002	Spring
8	753-04421	Motor Assm w/Baffle, Fan & Pulley
9	753-04422	Motor Strap
10	791-181862	Screw
11	791-00010	Scraper
12	791-181858	Screw
13	791-00015	Spring
14	791-00016	Idler Arm
15	753-04081	Ball Bearing
16	791-00017	Keeper
17	753-04082	Flange Bearing

Item	Part No.	Description
------	----------	-------------

18	791-00018	Driven Pulley
19	753-04080	Washer
20	753-04443	Belt Case Cover
21	753-04056	Flange Lock Nut
22	791-00022	Axle Auger
23	753-04423	Auger
24	791-182910	Washer
25	791-00020	Vane
26	753-04425	Snow Thrower Housing
27	791-00013	Push Nut
28	791-00014	Drive Belt

GARANTIE LIMITÉE DU FABRICANT POUR:



La garantie limitée énoncée ci-après est accordée par MTD LLC (« MTD ») et concerne les marchandises neuves achetées et utilisées aux États-Unis, ainsi que dans leurs possessions et territoires.

MTD garantit ce produit contre tout vice de matière ou de façon pendant une période de deux (2) ans à compter de la date d'achat initiale et elle se réserve le choix de réparer ou de remplacer, à titre gratuit, toute pièce présentant un vice de matière ou de façon. Cette garantie limitée ne s'appliquera que dans la mesure où le produit aura été utilisé et entretenu conformément au Guide de l'utilisateur fourni avec le produit et n'aura pas fait l'objet d'un usage inadéquat, abusif, commercial ou négligent, d'un accident, d'un entretien inadéquat, d'une modification, de vandalisme, d'un vol, d'un incendie, de dégâts d'eau ou d'un endommagement résultant d'un autre péril ou d'un désastre naturel. Les dommages résultants de l'installation ou de l'utilisation de tout accessoire ou équipement non approuvé par MTD pour une utilisation avec le(s) produit(s) couvert(s) par le présent guide annuleront la garantie et ce qui concerne les dommages qui en résulteraient éventuellement. La présente garantie est limitée à quatre-vingt-dix (90) jours à compter de la date d'achat au détail initiale pour tout produit MTD utilisé à des fins locatives ou commerciales, ou toute utilisation produisant des revenus.

POUR L'ENTRETIEN-DÉPANNAGE : L'entretien-dépannage au titre de la garantie est disponible, SUR PRÉSENTATION DE PREUVE D'ACHAT, AUPRÈS DU DISTRIBUTEUR AGRÉÉ LOCAL. Pour obtenir le nom du distributeur agréé local, consulter les Pages Jaunes ou se mettre en rapport avec le Service après-vente de MTD LLC. en appelant le 1-800-345-8746 ou en écrivant au P.O. Box 361131, Cleveland OH 44136-0019 ou en appelant le 1-800-668-1238 au Canada. Aucun produit retourné à l'usine sans permission écrite préalable du service après-vente de MTD LLC ne sera accepté.

La garantie limitée n'offre aucune couverture dans les cas suivants :

- A. Mises au point – Bougies, réglages de carburateur, filtres.
- B. Articles d'usure – Bouton de butée, bobines extérieures, fil de coupe, bobines intérieures, poulie de démarrage, cordes de démarrage, courroies d'entraînement.
- C. MTD n'accorde aucune garantie pour les produits vendus ou exportés des États-Unis, de leurs possessions et territoires, exception faite en ce qui concerne les produits vendus par l'intermédiaire de ses canaux agréés de distribution à l'exportation.

MTD se réserve le droit de modifier ou d'améliorer la conception de tout produit MTD sans assumer l'obligation de modifier tout produit d'une fabrication plus ancienne.

Aucune garantie implicite, y compris toute garantie de valeur marchande ou d'adaptation à une fin particulière, ne s'applique après la période applicable de garantie expresse écrite ci-dessus concernant les pièces qui sont identifiées. Aucune autre garantie ou caution expresse, écrite ou orale, à l'exception de celle mentionnée ci-dessus, accordée par toute personne ou entité, y compris tout distributeur ou détaillant, concernant tout produit n'engagera la responsabilité de MTD. Pendant la période de garantie, le remède exclusif est la réparation ou le remplacement du produit dans les conditions énoncées ci-dessus. (Certains états ne permettent pas la limitation de la garantie implicite, il est donc possible que la limitation ci-dessus ne s'applique pas à vous.)

Les clauses énoncées dans la présente Garantie constituent le recours unique et exclusif inhérent aux ventes. MTD ne sera en aucun cas tenue pour responsable de tout dommage indirect ou consécutif ou de dommages comprenant, entre autres mais pas seulement, les dépenses encourues du fait du recours à des services de remplacement ou de substitution pour l'entretien des pelouses, le transport ou des frais connexes, ou les frais entraînés par une location destinée à remplacer provisoirement un produit sous garantie. (Certains états ne permettent pas la limitation de la garantie implicite, il est donc possible que la limitation ci-dessus ne s'applique pas à vous.)

Aucun recouvrement, quel qu'il soit, ne sera d'un montant supérieur au prix du produit vendu. Toute modification des dispositifs de sécurité du produit annulera la présente Garantie. Vous assumez tout risque et toute responsabilité résultant de la perte, de l'endommagement ou du préjudice que vous et votre propriété et/ou d'autres et leur propriété pourront encourir du fait de l'utilisation normale, de la mauvaise utilisation ou de l'empêchement d'utiliser le produit.

La présente garantie limitée n'est accordée qu'à l'acheteur initial, au preneur initial ou à la personne à laquelle le produit a été offert.

Le Droit des États vis à vis de la présente garantie : la présente garantie vous confère certains droits juridiques, et vous pouvez bénéficier d'autres droits, lesquels varient d'une juridiction à l'autre.

Pour obtenir l'adresse du distributeur agréé le plus proche, composer le : 1-800-345-8746 aux États-Unis ou le 1-800-668-1238 au Canada.

MTD LLC
P.O. Box 361131
Cleveland, OH 44136-0019