

MODEL 2200

5.5 HP Generator

Item # 56200
Owner's Manual
Manual del Propietario



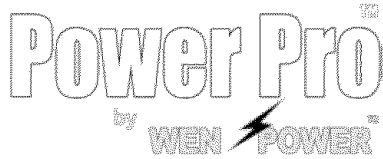
DO NOT RETURN TO STORE

**Questions? Problems?
Please call our customer help line:**

(888) 315-3080 M-F 8-5 CT

Thank you for purchasing a model 2200 generator. This manual provides information regarding the operation and maintenance of this product. We have made every effort to ensure the accuracy of the information in this manual. Wen Products reserves the right to change this product at any time without prior notice.

Please keep this manual available to all users during the entire life of the generator.



MODEL 2200 5.5 HP Generator

FEATURES

- *2200 Surge Watt Output*
- *1800 Rated Watt Output*
- *Powerful Enough to Run Essential Appliances During Power Outages*
- *120 and 240 Volt AC Outputs*
- *DC Output for Automotive Battery Charging*
- *Low Oil Automatic Shutoff*
- *Circuit Breaker for Overload Protection*
- *4 Gallon Fuel Tank Capacity*
- *Easily Portable- less than 100 lbs*
- *Meets EPA and CARB emissions standards*

TABLE OF CONTENTS


GENERAL SAFETY PROCEDURES.....	4
PACKAGE CONTENTS.....	8
GENERATOR COMPONENTS.....	9
PREPARING THE GENERATOR FOR USE.....	10
Using the Generator for the First Time.....	10
Step 1- Add Oil.....	10
Step 2- Add Gasoline.....	11
Step 3- Ground the Generator.....	11
Subsequent Use of the Generator.....	12
Step 1- Check the Oil.....	12
Step 2- Check the Gas Level.....	13
Step 3- Ground the Generator.....	13
STARTING THE GENERATOR.....	14
USING THE GENERATOR.....	15
AC Usage.....	15
DC Usage.....	17
STOPPING THE GENERATOR.....	18
MAINTENANCE / CARE.....	19
Cleaning the Generator.....	19
Changing the Oil.....	19
Changing/ Adding Oil.....	20
Air Cleaner Maintenance.....	21
Fuel Filter Cup Cleaning.....	22
Spark Plug Maintenance.....	22
Emptying the Gas Tank.....	23
STORAGE / TRANSPORT PROCEDURES.....	23
SPECIFICATIONS.....	24
TROUBLESHOOTING.....	25
EXPLODED VIEW AND PARTS LIST.....	26
WIRING DIAGRAM.....	28

Notice Regarding Emissions

Engines that are certified to comply with California and U.S. EPA emission regulations for SORE (Small Off Road Equipment), are certified to operate on regular unleaded gasoline, and may include the following emission control systems: (EM) Engine Modifications and (TWC) Three-Way Catalyst (if so equipped).

GENERAL SAFETY PROCEDURES

Please familiarize yourself with the following safety symbols and words:

The safety alert symbol  is used with one of the safety words (**DANGER**, **CAUTION**, or **WARNING**) to alert you to hazards. Please pay attention to these hazard notices both in this manual and on the generator.


DANGER: Indicates a hazard that will result in serious injury or death if instructions are not followed.

WARNING: Indicates a strong possibility of causing serious injury or death if instructions are not followed.


CAUTION: Indicates a possibility of personal injury or equipment damage if instructions are not followed.




If you have any questions regarding the hazard and safety notices listed in this manual or on the product, please call (888) 315-3080 M-F 8-5CT before using the generator.

 DANGER: This generator produces poisonous carbon monoxide gas when running. This gas is both odorless and colorless. Even if you do not see or smell gas, carbon monoxide may still be present. Breathing this poison can lead to headaches, dizziness, drowsiness, and eventually death.

- Use outdoors ONLY in non-confined areas.
- Keep several feet of clearance on all sides to allow proper ventilation of the generator.

 WARNING: The exhaust from this product contains chemicals known to the State of California to cause cancer, birth defects, or other reproductive harm.

 WARNING: This generator may emit highly flammable and explosive gasoline vapors, which can cause severe burns or even death. A nearby open flame can lead to explosion even if not directly in contact with gas.

- Do not operate near open flame.
- Do not smoke near generator.
- Always operate on a firm, level surface.
- Always turn generator off before refueling. Allow generator to cool for at least 2 minutes before removing fuel cap. Loosen cap slowly to relieve pressure in tank.
- Do not overfill gas tank. Gas may expand during operation. Do not fill to the top of the tank.
- Always check for spilled gas before operating.
- Empty gasoline tank before storing or transporting the generator..
- Before transporting, turn fuel valve to off and disconnect spark plug.

⚠ WARNING: This generator produces powerful voltage, which can result in electrocution.

- ALWAYS ground the generator before using it (see the “Grounding the Generator” portion of the “PREPARING THE GENERATOR FOR USE” section).
- Generator should only be plugged into electrical devices, either directly or with an extension cord. NEVER connect to a building electrical system without a qualified electrician. Such connections must comply with local electrical laws and codes. Failure to comply can create a backfeed, which may result in serious injury or death to utility workers.
- Use a ground fault circuit interrupter (GFCI) in highly conductive areas such as metal decking or steel work. GFCIs are available in-line with some extension cords.
- Do not use in rainy or wet conditions.
- Do not touch bare wires or receptacles (outlets).
- Do not allow children or non-qualified persons to operate.

⚠ WARNING: This generator produces heat when running. Temperatures near exhaust can exceed 150° F (65° C).

- Do not touch hot surfaces. Pay attention to warning labels on the generator denoting hot parts of the machine.
- Allow generator to cool several minutes after use before touching engine or areas which heat during use.

CAUTION: Misuse of this generator can damage it or shorten its life.

- Use generator only for its intended purposes.
- Operate only on dry, level surfaces.
- Allow generator to run for several minutes before connecting electrical devices.
- Shut off and disconnect any malfunctioning devices from generator.
- Do not exceed the Wattage capacity of the generator by plugging in more electrical devices than the unit can handle (see “PRECAUTIONS-OVERLOADING THE GENERATOR”).
- Do not turn on electrical devices until *after* they are connected to the generator.
- Turn off all connected electrical devices before stopping the generator.

In addition to the above safety notices, please familiarize yourself with the safety and hazard markings on the generator.

WARNING! RISK OF EXPLOSION

- Stop generator before refueling.
- Check for spilled fuel.
- Do not operate near open flame.

WARNING! RISK OF ELECTRIC SHOCK

This generator produces high voltage

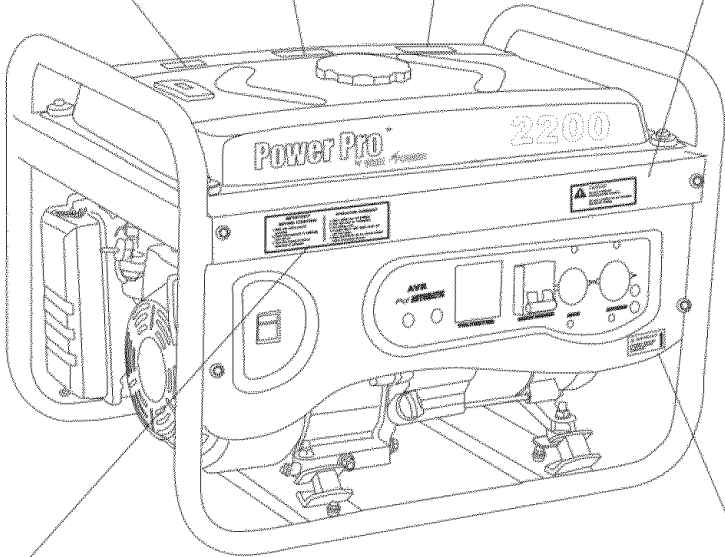
- Always ground properly before use.
- Do not connect to any building electrical system.
- Never use in rainy or wet conditions.
- Never touch bare wires or receptacles.
- Never allow children or non-qualified persons to operate.

CAUTION! POISONOUS GAS

Generator exhaust contains toxic carbon monoxide gas. **NEVER** operate indoors or in poorly ventilated areas.

CAUTION!

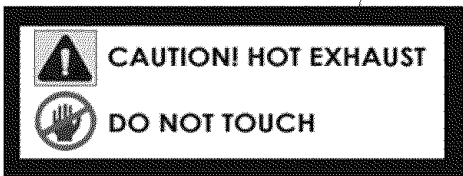
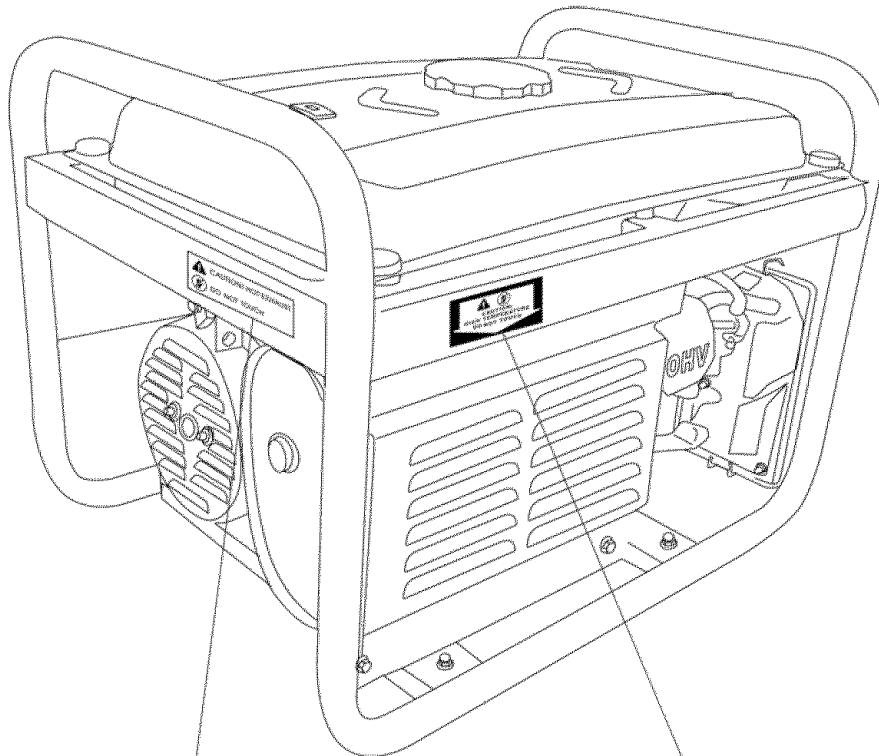
DO NOT OVERLOAD GENERATOR (SEE MANUAL).
DO NOT CONNECT TO ANY BUILDING ELECTRICAL SYSTEM.



IMPORTANT! BEFORE STARTING:	OPERATION SUMMARY
<ol style="list-style-type: none"> 1. Make sure unit is properly grounded. 2. Check that crankcase is sufficiently filled with oil. 3. Turn off or unplug all devices connected to generator. 	<ol style="list-style-type: none"> 1. Place switch into "on" position. 2. Turn fuel valve to "on" position. 3. Pull starting cord. 4. If engine fails to start, adjust choke and pull cord again. 5. Allow generator to run for several minutes before connecting devices.

IMPORTANT!

CONNECT GROUND TO EARTH BEFORE OPERATING.



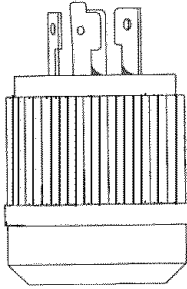
PACKAGE CONTENTS

Your generator comes with the items listed below. Please check to see that all of the following items are included with your generator.

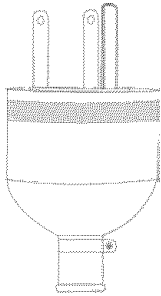


If you are missing components DO NOT RETURN TO STORE, please call (888) 315-3080 M-F 8-5 CT for customer service.

ITEM LIST



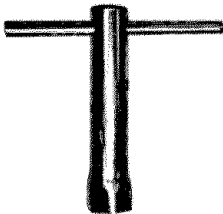
NEMA L14-30 plug for connecting 240 Volt electrical devices



Three-prong plug for connecting 120 Volt electrical devices



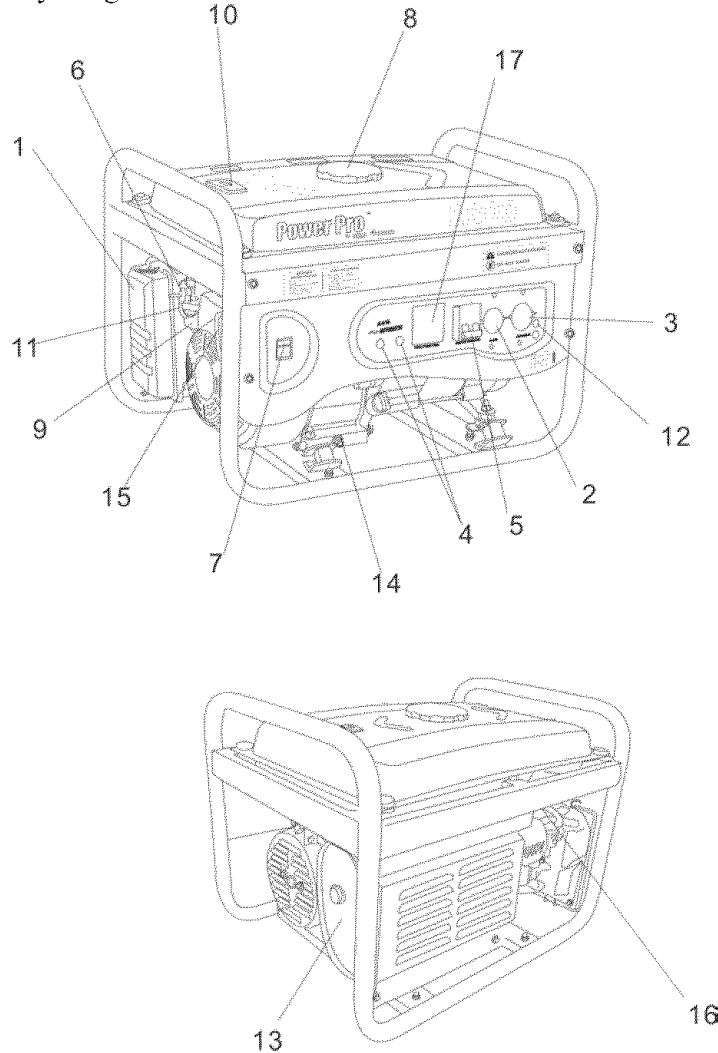
Set of 2 DC connector wires for connecting 12 Volt automotive-type batteries



Spark plug wrench

GENERATOR COMPONENTS

Please familiarize yourself with the locations and functions of the various components and controls of your generator.



(1) Air cleaner- a removable, cleanable, sponge-like element that limits the amount of dirt pulled into the engine.

(2) 120 Volt AC Receptacle- Use to connect electrical devices that run 120 Volt, 60 Hz, single phase, AC current.

(3) 120/240 Volt AC Receptacle- Use to connect electrical devices that run 120 and/or 240 Volt, 60 Hz, single phase, AC current.

(4) 12 Volt DC Receptacle- Use for charging 12 Volt automotive-type batteries only.

(5) Circuit Breaker- Reset switch that protects the generator from electrical overload.

(6) Choke lever- Adjusts the amount of air let into the engine.

(7) Engine Switch- Used to start/stop engine.

(8) Fuel Cap- Access to the fuel tank for adding fuel.

(9) Fuel Filter Cup- Traps dirt and water from fuel before it enters the engine.

(10) Fuel Gauge- Indicates the amount of fuel in the tank.

(11) Fuel valve- Allows fuel to enter engine.

(12) Ground Terminal- Connect grounding wires here to properly ground unit.

(13) Muffler- Reduces engine noise.

(14) Oil Fill and Dipstick- Location for checking and filling engine oil.

(15) Recoil Starter- Pull-cord for starting engine.

(16) Spark plug- Provides proper engine ignition.

(17) Volt Meter- Provides reading of voltage output.

PREPARING THE GENERATOR FOR USE

Using the Generator for the First Time

STOP *The following section describes steps you must follow to prepare your generator for first-time use. If after reading this section, you are unsure about how to perform any of the steps please call (888) 315-3080 M-F 8-5 CT for customer service. Failure to perform these steps properly can damage your generator or shorten its life.*

If you are using the generator for the first time, there are a few steps you must take to prepare it for operation:

Step 1- Add oil

The generator requires engine oil to operate properly. The generator, when new from the package, contains *no* oil in the crankcase. You must add the proper amount of oil before operating the generator for the first time. This amount, which is equal to the oil capacity of the engine crankcase, can be found on the chart in figure 1. When filling the engine with oil in the future, please refer to this chart.

Figure 1- Generator Oil Capacity

Model number	2200	3500	5500
Engine oil capacity	20 fluid oz.	20 fluid oz.	37 fluid oz.

To add oil, follow these steps:

1. Make sure the generator is on a level surface.
2. Unscrew the oil filler/dipstick cap from the engine as shown in figure 2.
3. Using a funnel, add the appropriate amount of oil, as found in figure 1, into the crankcase. You will know the crankcase is full when the oil level has reached the lower lip of the opening you have just poured the oil into (see figure 3).
4. Replace oil filler cap.

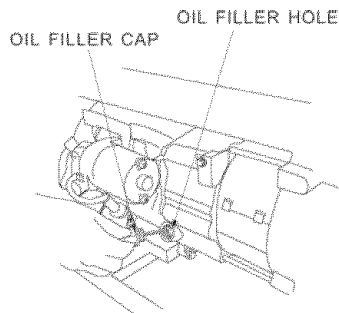


Figure 2- Unscrewing the oil cap

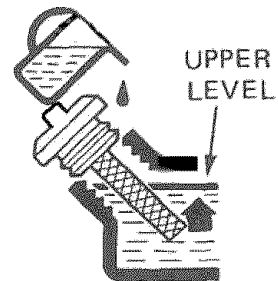


Figure 3- Adding oil

Step 2- Add Gasoline

▲ WARNING: Gasoline and gas fumes are highly flammable.

- **Do not fill tank near an open flame.**
- **Do not overfill. Always check for fuel spills.**

To ensure that the generator runs smoothly use only FRESH, UNLEADED GAS WITH AN OCTANE RATING OF 87 OR HIGHER. To add gasoline:

1. Make sure the generator is on a level surface.
2. Unscrew gas cap and set aside (NOTE: the gas cap may be tight and hard to unscrew).
3. Slowly add unleaded gasoline to the fuel tank. Be careful not to overfill. Please refer to the chart in figure 4 to find the gas capacity of your generator model. The fuel gauge on the top of the generator indicates how much gasoline is in the generator gas tank. NOTE: Gas can expand. Do not fill the gas tank to the very top.
4. Replace fuel cap and wipe up any spilled gasoline with a dry cloth.

IMPORTANT:

- Never use an oil/gasoline mixture.
- Never use old gas.
- Avoid getting dirt or water in the fuel tank.
- Gas can age in the tank and make it hard to start up the generator in the future. Never store generator for extended periods of time with fuel in the tank.

Figure 4- Gas Tank Capacity

Model number	2200	3500	5500
Gas tank capacity	15 L (3.96 gallons)	15 L (3.96 gallons)	25 L (6.60 gallons)

Step 3- Ground the Generator

▲ WARNING: Failure to properly ground the generator can result in electrocution.

Ground the generator by tightening the grounding nut against a grounding wire (see figure 5). A generally acceptable grounding wire is a No. 12 AWG (American Wire Gauge) stranded copper wire. This grounding wire should be connected at the other end to a copper or brass grounding rod that is driven into the earth.

Grounding codes can vary by location. Please contact a local electrician to check the grounding regulations for your area.

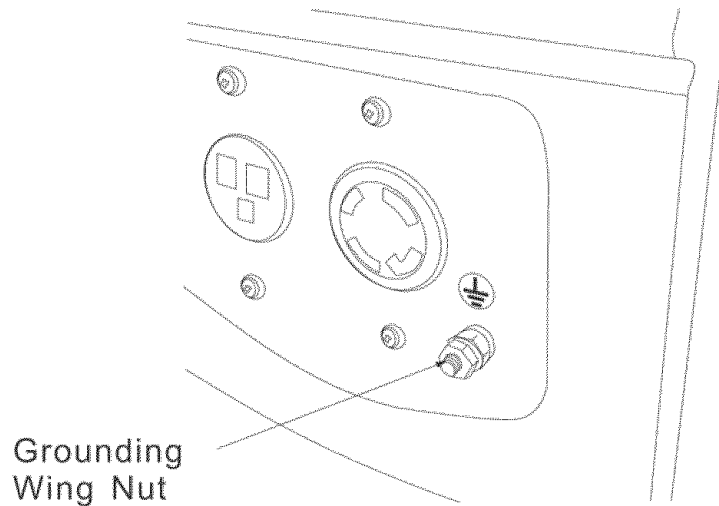


Figure 5- Attaching the Grounding Wire to the Generator

Subsequent Use of the Generator

If this is not your first time using the generator there are still steps you should take to prepare it for operation.

IMPORTANT: At this point you should be familiar with the procedures described in the first portion of this section entitled “Using the Generator for the First Time.” If you have not yet read this section, go back and read it now.

Step 1- Check the Oil

The generator is equipped with an automatic shutoff to protect it from damage due to low oil. Nonetheless, you should check the oil level of the engine before each use to ensure that the engine crankcase has a sufficient amount. To check the oil level:

1. Make sure the generator is on a level surface.
2. Unscrew the oil filler/dipstick cap.
3. With a dry cloth, wipe the oil off of the stick on the inside of the cap.
4. Insert the dipstick as if you were replacing the cap and then remove again. There should now be oil on the stick. If there is no oil on the stick, or oil only at the very end of the stick, you should add oil until the engine crankcase is filled (see “Adding Oil” portion of the “Maintenance” section).
5. Be sure to replace cap when finished checking oil.

NOTE: The oil capacity for your generator can be found in the “Specifications” section of this manual

Step 2 – Check the Gas Level

Before starting the generator, check to see that there is sufficient gasoline in the gas tank. The fuel gauge on top of the generator will indicate the gas level in the tank. Add gas if necessary according to the steps in the “Adding Gasoline” portion of the “Maintenance” section.

▲ WARNING: Gasoline and gasoline fumes are highly flammable.

- **Do not fill tank near an open flame.**
- **Always allow engine to cool for several minutes before refueling.**
- **Do not overfill (check the “Specifications” section for the tank capacity of your generator). Always check for fuel spills.**

IMPORTANT:

- Use only UNLEADED gasoline with an octane rating of 87 or higher.
- Do not use old gas.
- Never use an oil/gasoline mixture.
- Avoid getting dirt or water in the fuel tank.
- Never store generator for extended periods of time with fuel in the tank.


Step 3- Ground the Generator

▲ WARNING: Failure to properly ground the generator can result in electrocution.

Ground the generator by tightening the grounding nut against a grounding wire (see figure 5). A generally acceptable grounding wire is a No. 12 AWG (American Wire Gauge) stranded copper wire. This grounding wire should be connected at the other end to a copper or brass grounding rod that is driven into the earth.

Grounding codes can vary by location. Please contact a local electrician to check the grounding regulations for your area.

STARTING THE GENERATOR

 **Before starting the generator, make sure you have read and performed the steps in the “Preparing the Generator for Use” section of this manual. If you are unsure about how to perform any of the steps in this manual please call (888) 315-3080 M-F 8-5 CT for customer service.**

▲ CAUTION: Disconnect all electrical loads from the generator before attempting to start.

To start your generator, perform the following steps:

1. Make sure no electrical devices are connected to the generator. Such devices can make it difficult for the engine to start.
2. Check that the generator is properly grounded (see page 13, “Ground the Generator”).
3. Turn the fuel valve to the “on” position (see figure 6).
4. Move the choke lever to the “closed” position (see figure 7).
5. Set the engine switch to the “on” position.
6. Pull on the recoil starter handle slowly until a slight resistance is felt (see figure 8). Then pull quickly to start the engine. Return cord gently into the machine. Never allow the cord to snap back.
7. If engine fails to start, repeat step 4. **NOTE: After repeated attempts to start the engine, please consult the troubleshooting guide before attempting again. If problems persist please call (888) 315-3080 M-F 8-5 CT.**
8. Once the engine has started and run for about a minute, move the choke lever about half way towards the “open” position. Wait another 30 seconds and then move the choke lever all the way to the “open” position.
9. Allow the generator to run for several minutes before attempting to connect any electrical devices.

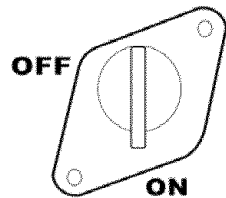


Figure 6- Fuel Valve in the “on” position

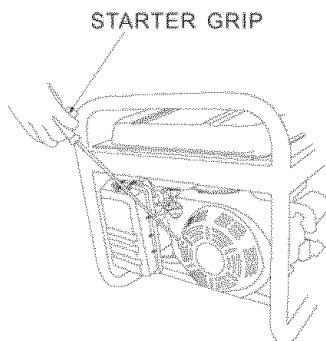


Figure 8- Pulling the start cord

Models 2200 and 3500

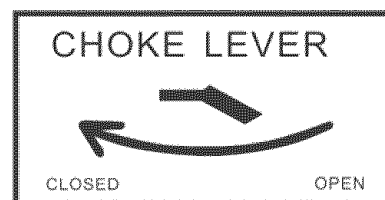


Figure 7- Choke in the “closed” position (refer to page 9 for choke location)

USING THE GENERATOR

Once you have allowed the engine to run for several minutes, you may connect electrical devices to the generator.

AC Usage

You may connect electrical devices running on AC current according to their wattage requirements. The chart in figure 9 shows the rated and surge wattage of your generator according to its model number.

The *rated wattage* corresponds to the maximum wattage the generator can output on a continuous basis.

The *surge wattage* corresponds to the maximum amount of power the generator can output for a short period of time. Many electrical devices such as refrigerators require short bursts of extra power, in addition the rated wattage listed by the device, to stop and start their motors. The surge wattage ability of the generator covers this extra power requirement.

Model Number	Rated(Running) Wattage	Surge Wattage
2200	1800	2200
3500	3000	3500
5500	5000	5500

Figure 9- generator wattage by model number.

The total running wattage requirement of the electrical devices connected to the generator should not exceed the rated wattage of the generator itself. To calculate the total wattage requirement of the electrical devices you wish to connect, find the rated (or running) wattage of each device. This number should be listed somewhere on the device or in its instruction manual. If you cannot find this wattage, you may calculate it by multiplying the Voltage requirement by the Amperage drawn:

$$\text{Watts} = \text{Volts} \times \text{Amperes}$$

If these specifications are not available you may estimate the Watts required by your device by using the chart in figure 10.

Once you have found the rated wattage requirement of each electrical device, add these numbers to find the total rated wattage you wish to draw from the generator. If this number exceeds the rated wattage of the generator, DO NOT connect all these devices. Select a combination of electrical devices, which has a total rated wattage lower than or equal to the rated wattage of the generator.

CAUTION- The generator can run at its surge wattage capacity for only a short time. Connect electrical devices requiring a rated (running) wattage equal to or less

than the rated wattage of the generator. Never connect devices requiring a rated wattage equal to the surge wattage of the generator.

tool or appliance	rated (running) Watts	additional surge Watts
electric water heater (40 gal)	4000	0
hot plate	2500	0
saw- radial arm	2000	2000
electric stove	1500	0
saw- circular	1500	1500
air compressor (1 HP)	1500	3000
window air conditioner	1200	1800
saw- miter	1200	1200
microwave	1000	0
well water pump	1000	1000
reciprocating saw	960	1040
sump pump	800	1200
refrigerator freezer	800	1200
furnace blower	800	1300
computer	800	0
electric drill	600	900
television	500	0
deep freezer	500	500
garage door opener	480	0
stereo	400	0
box fan	300	600
clock radio	300	0
security system	180	0
dvd player/ vcr	100	0
common light bulb	75	0

NOTE: The above wattage figures are estimates. Try to check the wattage listed on your electrical device before consulting this chart.

Figure 10- Estimated wattage requirements of common electrical devices.

Once you have determined what electrical devices you will be powering with the generator, connect these devices according to the following procedure:

1. Plug in each electrical device with the device turned off.
NOTE: Be sure to attach appliances to the correct receptacle (outlet). Connect standard 120 Volt, single phase, 60 Hz loads **only** to the 120 Volt receptacle. Connect 120/240 Volt, single phase, 60Hz loads with a NEMA L14-30 plug **only** to the 120/240 Volt receptacle See Figure 11 for a depiction of each of these receptacles.
2. Switch the circuit breaker to the “on” position.
3. Turn on the connected electrical devices in the order of the amount of power they require beginning with the device with the highest rated wattage requirement.

CAUTION: Do not connect 50Hz or 3-phase loads to the generator.

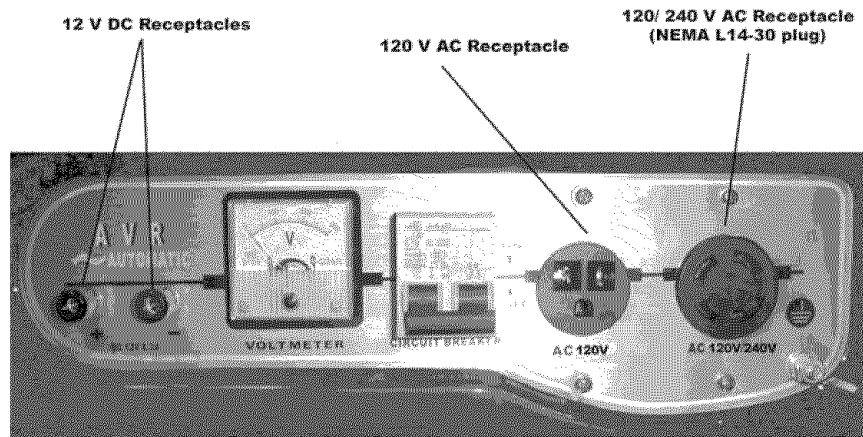


Figure 11- Receptacles available on the generator

SOME NOTES ABOUT POWER CORDS

Long or thin cords can drain the power provided to an electrical device by the generator. When using such cords, allow for a slightly higher rated wattage requirement by the electrical device. See Figure 12 for recommended cords based on the power requirement of the electrical device.

Device Requirements			Max. Cord Length (ft) by Wire Gauge				
Amps	Watts (120V)	Watts (240 V)	#8 wire	#10 wire	#12 wire	#14 wire	#16 wire
2.5	300	600	NR	1000	600	375	250
5	600	1200	NR	500	300	200	125
7.5	900	1800	NR	350	200	125	100
10	1200	2400	NR	250	150	100	50
15	1800	3600	NR	150	100	65	NR
20	2400	4800	175	125	75	50	NR
25	3000	6000	150	100	60	NR	NR
30	3600	7200	125	65	NR	NR	NR
40	4800	9600	90	NR	NR	NR	NR

*NR= not recommended

Figure 12- Maximum Extension Cord Lengths by Power Requirement

DC Usage

CAUTION: The DC receptacle is for recharging 12 Volt automotive-type batteries only. Do not connect any other device to this receptacle.

CAUTION: Use the generator only to *recharge* 12 Volt batteries. Never try to jumpstart a car with your generator.

To connect 12 Volt batteries to the DC receptacle:

1. Connect one charging wire to the positive terminal on the battery and the other charging wire to the negative terminal.
2. Connect the free end of the positive wire to the positive receptacle (outlet) on the generator.
3. Start the generator.
4. Carefully connect the free end of the negative wire to the negative receptacle on the generator.
5. When disconnecting, always disconnect the wires from the generator first to avoid a spark.

▲ DANGER: Storage batteries emit highly explosive hydrogen gas when charged. Batteries also contain acid, which can cause severe chemical burns.

- Do not allow open flames or cigarettes nearby for several minutes after charging a battery.
- Always wear protective goggles and rubber gloves when charging a battery.
 - If battery acid gets on your skin, flush with water.
 - If battery acid gets in your eyes, flush with water and call a physician immediately.
 - If battery acid is swallowed, drink large quantities of milk and call a physician immediately.

STOPPING THE GENERATOR

To stop the generator:

1. Turn off, then unplug all connected electrical devices.
2. Switch the circuit breaker to the “off” position.
3. Allow the generator to run for several more minutes with no electrical devices connected. This helps stabilize the temperature of the generator.
4. Set the engine switch to the “off” position.
5. Turn the fuel valve to the “off” position.

▲ WARNING: Allow the generator to cool for several minutes before touching areas that become hot during use.

CAUTION: Allowing gas to sit in the generator tank for long periods of time without use can make it difficult to start the generator in the future. Never store generator for extended periods of time with fuel in the tank.

MAINTENANCE / CARE

Proper routine maintenance of your generator will help prolong the life of your machine. Please perform maintenance checks and operations according the schedule in figure 13.



If you have questions about any of the maintenance procedures listed in this manual, please call (888) 315-3080 M-F 8-5CT.

CAUTION: Never perform maintenance operations while the generator is running.

Recommended Maintenance Schedule

		each use	every month or 20 hrs	every 3 months or 50 hrs	every 6 months or 100 hrs	every year or 300 hrs
Engine oil	check level	x				
	replace		x			
Air cleaner	check	x				
	clean			x		
fuel filter cup	clean				x	
spark plug	check/ clean				x	
gas tank	check gas level	x				
	clean					x

Figure 13- Recommended maintenance schedule

Cleaning the Generator

Always try to use your generator in a cool dry place. However, in the event your generator becomes dirty you may clean the exterior with one or more of the following:

- a damp cloth
- a soft brush
- a vacuum
- pressurized air

Never clean your generator with a bucket of water or a hose. Water can get inside the working parts of the generator and cause a short circuit or corrosion.

Checking the Oil

The generator is equipped with an automatic shutoff to protect it from running on low oil. Nonetheless, you should check the oil level of the generator before each use to ensure that the generator crankcase has a sufficient amount. To check the oil level:

1. Make sure the generator is on a level surface.
2. Unscrew the oil filler/dipstick cap (see figure 14).
3. With a dry cloth, wipe the oil off of the stick on the inside of the cap.
4. Insert the dipstick as if you were replacing the cap and then remove again. There should now be oil on the stick. If there is no oil on the stick, or oil only at the

very end of the stick, you should add oil until the engine crankcase is filled. See “Changing/ Adding Oil” in this section.

5. Be sure to replace cap when finished checking oil.

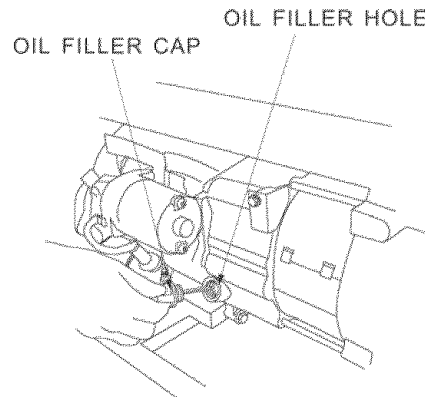


Figure 14- Checking the oil

Changing/ Adding Oil

You should check the oil level of your generator according to the maintenance schedule in figure 13. When the oil level is low you will need to add oil until the level is sufficient to run the generator.

The oil capacity of your generator engine is listed in figure 15.

Model number	2200	3500	5500
Engine oil capacity	20 fluid oz.	20 fluid oz.	37 fluid oz.

Figure 15- Engine Oil Capacity.

It is only necessary to drain the oil from the crankcase if it has become contaminated with water or dirt. In this case, you can drain the oil from the generator according to the following steps:

1. Place a bucket underneath the generator to catch oil as it drains.
2. Using a 10 mm hex wrench, unscrew the oil drain plug, which is located on the crankcase underneath the oil filler/dipstick cap (see figure 16). Allow all the oil to drain from the generator.
3. Replace the oil drain plug and tighten with a 10 mm hex wrench.

To add oil to the crankcase, follow these steps:

1. Make sure the generator is on a level surface.
2. Unscrew the oil filler/dipstick cap from the engine as shown in figure 15 above.
3. Using a funnel, add high detergent motor oil to the crankcase. We recommend SAE 10W/30 motor oil for general use. When full, the oil level should come close to the top of the oil fill opening (see figure 17).

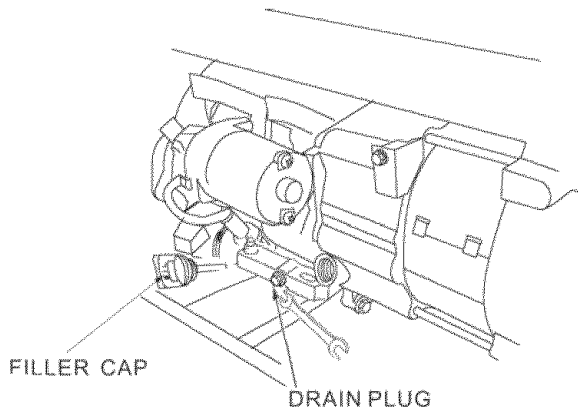


Figure 16- Draining oil

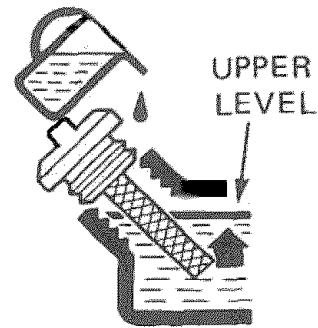


Figure 17- Adding oil

NOTE: Never dispose of used motor oil in the trash or down a drain. Please call your local recycling center or auto garage to arrange oil disposal.

Air Cleaner Maintenance

Routine maintenance of the air cleaner helps maintain proper air flow to the carburetor. Occasionally check that the air cleaner is free of excessive dirt.

1. Unhinge the clasps at the top and bottom of the air cleaner cover (see figure 18).
2. Remove the sponge-like elements from the casing.
3. Wipe the dirt from inside the empty air cleaner casing
4. Wash the sponge-like elements in household detergent and warm water. Allow to dry.
5. Soak the dry elements in engine oil. Squeeze out any excess oil.
6. Replace the sponge-like elements in the air cleaner casing and replace the cover.

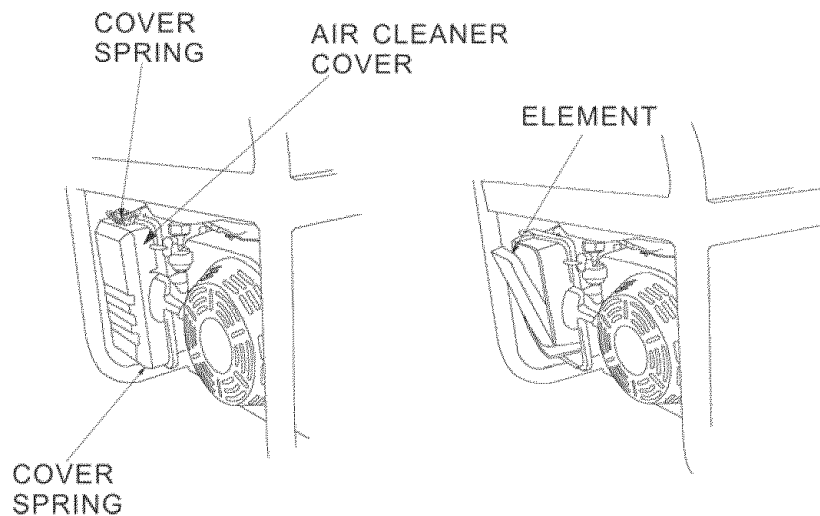


Figure 18- Removing the air cleaner casing.

Fuel Filter Cup Cleaning

The fuel filter cup is a small well underneath the fuel valve. It helps to trap dirt and water that may be in your fuel tank before it can enter the engine. To clean the fuel filter cup:

1. Turn the fuel valve to the “off” position.
2. Unscrew the fuel filter cup from the fuel valve using a wrench. Turn the valve toward you to unscrew (see figure 19).
3. Clean the cup of all sediment. Using a rag or brush.
4. Reinstall the fuel filter cup.

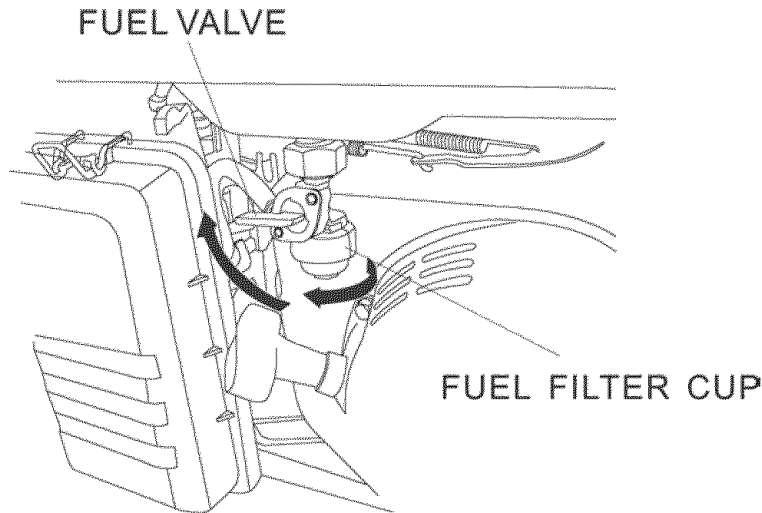


Figure 19- Removing the Fuel Filter Cup

Spark Plug Maintenance

The spark plug is important for proper engine operation. A good spark plug should be intact, free of deposits, and properly gapped. To inspect your spark plug:

1. Pull on the spark plug cap to remove it.
2. Unscrew the spark plug from the generator using the spark plug wrench included with this product (see figure 20).
3. Visually inspect the spark plug. If it is cracked or chipped, discard and replace with a new spark plug. We recommend using a F6RTC spark plug such as NGK BPR5ES.
4. Measure the plug gap with a gauge (see figure 21). The gap should be 0.7-0.8mm (0.028-0.031in).
5. If you are re-using the spark plug, use a wire brush to clean any dirt from around the spark plug base and then re-gap the spark plug.
6. Screw the spark plug back into its place on the generator using the spark plug wrench. Replace the spark plug cap.

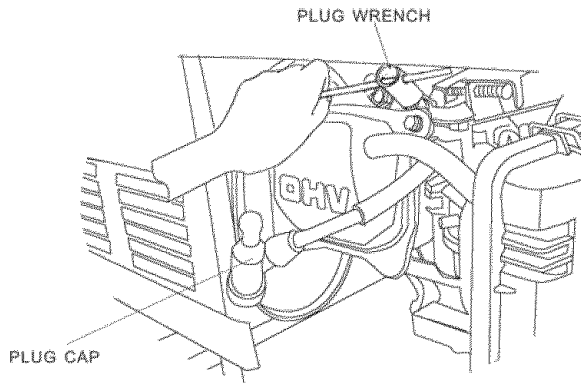


Figure 20- Removing the spark plug

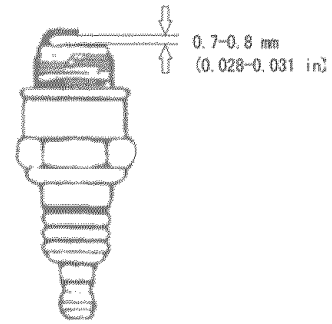


Figure 21- Measuring the spark plug gap

Emptying the Gas Tank

Before storing your generator for extended periods of time, you should drain your generator of gasoline. To drain the generator of gas:

1. Turn the fuel valve to the “off” position.
2. Remove the fuel filter cup (see “Removing the Fuel Filter Cup” earlier in this section).
3. Empty the fuel filter cup of any fuel.
4. With a receptacle underneath the generator to catch the gas, turn the fuel valve to the “on” position. Drain all the gas from the generator.
5. Turn the fuel valve to the “off” position.
6. Replace the fuel filter cup.
7. Store the emptied gasoline in a suitable place.

▲ CAUTION: Do not store fuel from one season to another.

STORAGE / TRANSPORT PROCEDURES

▲ CAUTION: Never place any type of storage cover on the generator while it is still hot.

When transporting or storing your generator for extended periods of time:

- Empty the gas tank (see “Emptying the Gas Tank” in the “Maintenance” section).
- Disconnect the spark plug.
- Do not obstruct any ventilation openings.
- Keep the generator in a cool dry area.

SPECIFICATIONS

Generator

AC Output

	model 2200	model 3500	model 5500
Rated Wattage	1800 W	3000 W	5000W
Surge Wattage	2200 W	3500 W	5500 W
Rated Voltage	120/240 V	120/240 V	120/240 V
Rated Amperage	15 A/7.5A	25 A/12.5A	41A/20.5A
Rated Frequency	60 Hz	60 Hz	60 Hz
Phase	Single	Single	Single

DC Output

	model 2200	model 3500	model 5500
Voltage	12V	12V	12V
Amperage	8.3 A	8.3 A	8.3 A

Dimensions(in):	length= 23.25 width= 17 height= 17	length= 23.25 width= 17 height= 17	length= 27 width=20 height= 21
Dry mass	99 lbs	99 lbs	168 lbs

Engine

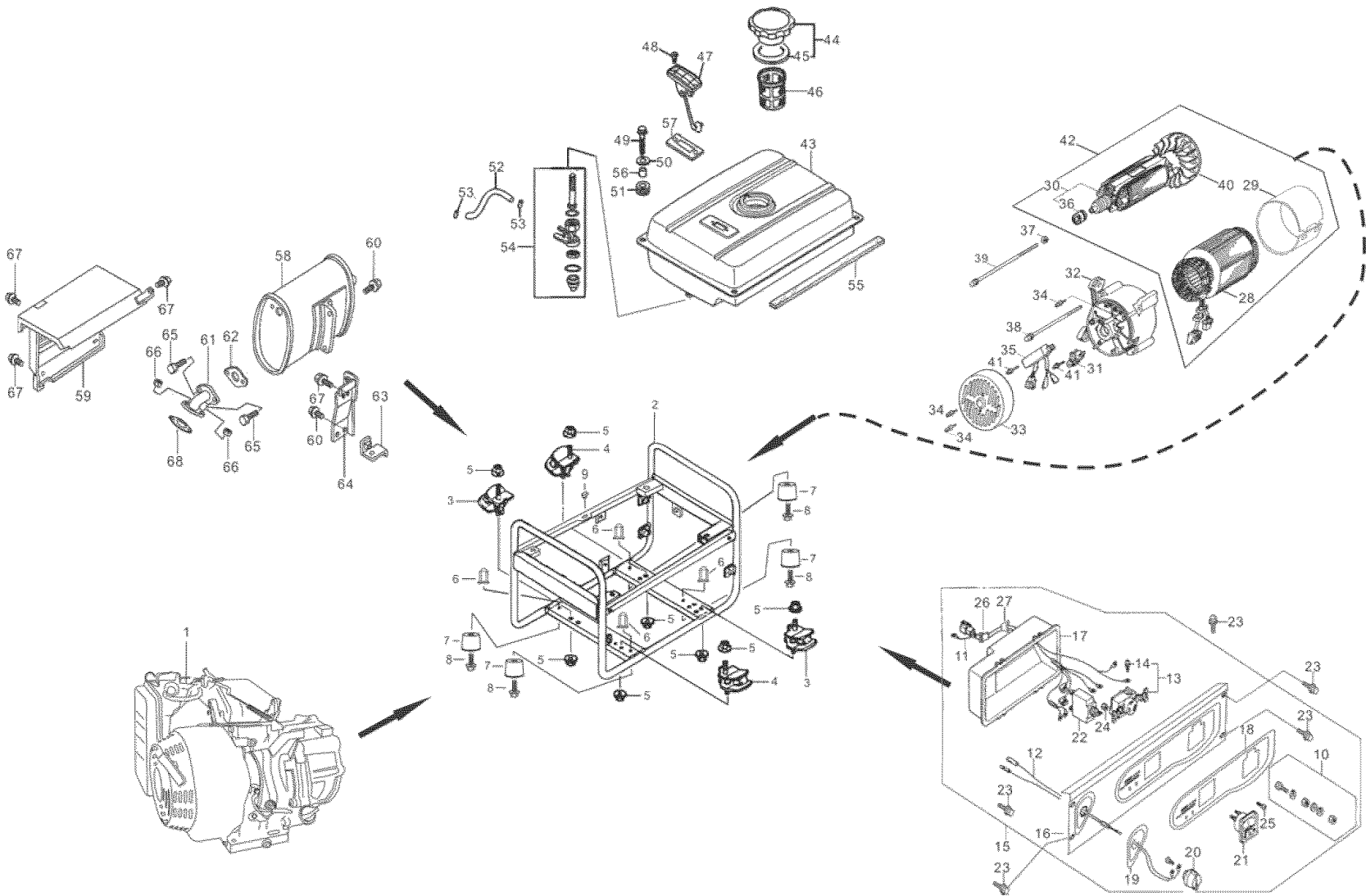
	model 2200	model 3500	model 5500
Engine type	4-stroke OHVsingle cylinder with forced air cooling system	4-stroke OHVsingle cylinder with forced air cooling system	4-stroke OHVsingle cylinder with forced air cooling system
Ignition system	non-contact transistor	non-contact transistor	non-contact transistor
Displacement	163 cm ³	196cm ³	337cm ³
Fuel tank capacity:	15 L (3.96 US gal.)	15 L (3.96 US gal.)	25 L (6.60 US gal.)
Oil capacity	0.6 L (20 fl oz.)	0.6 L (20 fl oz.)	1.1 L (37 fl oz.)
Run time on 50% load	21 hrs	15 hrs	15 hrs

TROUBLESHOOTING

IMPORTANT: If trouble persists please call our customer help line at (888) 315-3080 M-F 8-5.

Problem	Cause	Solution
Engine will not start	Engine switch is set to "off".	Set engine switch to "on".
	Fuel valve is turned to "closed".	Turn fuel valve to "open" position.
	Choke is open.	Close the choke
	Engine is out of gas.	Add gas.
	Engine is filled with contaminated or old gas	Change the gas in the engine.
	Spark plug is dirty.	Clean spark plug.
	Spark plug is broken.	Replace spark plug.
	Generator is not on level surface.	Move generator to a level surface to prevent low oil shutdown from triggering.
	Oil is low	Add or replace oil.
	Engine runs but there is no electrical output	Circuit breaker is off.
Bad connecting wires/cables.		If you are using an extension cord, try a different one.
Bad electrical device connected to generator.		Try connecting a different device.
Generator runs but does not support all electrical devices connected.	Generator is overloaded	Try connecting fewer electrical loads to the generator.
	Short in one of the connected devices.	Try disconnecting any faulty or short-circuited electrical loads.
	Air cleaner is dirty.	Clean or replace air cleaner.

EXPLODED VIEW AND PARTS LIST



Item	Part	Qty	Description	Item	Part	Qty	Description
1			Gasoline engine	35	31600	1	Voltage regulator
2	41100	1	Frame comp	36	GB276-89	1	Bearing 6202-2RS
3	41310	2	Bottom rubber A	37	31134	1	Plain washer
4	41320	2	Bottom rubber B	38	31931	4	Flange bolt M6×125
5	GB6177-86	8	Flange nut M8	39	31933	1	Bolt M8×180
6	GB802-88	4	Nut M6	40	31141	1	Generator fan
7	41350	4	Cushion, frame	41	31996	3	Bolt M5×14
8	GB5787-86	4	Bolt M6×12	42	30100	1	Stator & rotor Assy
9	41116	1	Rubber pad, frame	43	16610	1	Fuel tank
10	32520	1	Earth terminal set	44	16500	1	Fuel filler cap comp.
11	32100	1	Wire harness Assy	45	16521	1	Packing ring
12	32310	1	Switch wire	46	16916	1	Fuel filter
13	35510	1	Consent (30A)	47	37820	1	Fuel sensor
14	GB5787-86	3	Bolt M4×10	48	GB819-85	2	Screw M5×10
15	37300	1	Control panel Assy	49	GB5787-86	4	Flange bolt M6×22
16	37310	1	Control panel	50	16821	4	Washer
17	37321	1	Control panel case	51	16811	4	Cushion
18	68511	1	Panel switch mark,RH	52	16931	1	Outlet pipe φ9×φ4.5×130
19	68512	1	Panel switch mark,LH	53	16937/168F	2	Tube clip
20	35410	1	Ignition switch	54	16930	1	Fuel cock
21	37420	1	Voltmeter	55	16812	1	Stripe, fuel tank
22	31710	1	Circuit protector (10A)	56	16824	4	Fitting brush, fuel tank
23	GB5787-86	4	Flange bolt M6×12	57	37825	1	Gasket, fuel sensor
24	GB6187-86	2	Nut M4	58	18300/168F-BV	1	Muffler
25	GB819-85	2	Pan screw M4×10	59	18611	1	Muffler guard
26	32115	1	Boot, AC output wire	60	GB5787-86	3	Flange bolt M8×16
27	32116	1	Boot, main wire harness	61	18110/168F-BV	1	Exhaust pipe comp.
28	31200	1	Stator Assy	62	18221/168F-BV	1	Muffler gasket
29	31936	1	Stator cover	63	18720	1	Supporting plate
30	31100	1	Rotor comp.	64	18710	1	Muffler stay
31	31370	1	Brush Assy	65	GB5787-86	2	Bolt M8×25
32	31411	1	Generator stay	66	GB6187-86	2	Nut M8
33	31938	1	Generator end cover	67	GB5787-86	6	Flange bolt M6×12
34	31995	3	Bolt M5×12	68	12255/168F	1	Exhaust pipe gasket

