

KitchenAid®

REFRIGERATOR

Use & Care Guide

For questions about features, operation/performance, parts accessories or service, call: **1-800-422-1230**
In Canada, call for assistance **1-800-461-5681**, for installation and service, call: **1-800-807-6777** or visit our website at...
www.kitchenaid.com or www.KitchenAid.ca

RÉFRIGÉRATEUR

Guide d'utilisation et d'entretien

Au Canada, pour assistance composez le **1-800-461-5681**, pour installation ou service composez le **1-800-807-6777** ou visitez notre site web à...
www.KitchenAid.ca

Table of Contents/Table des matières..... 2

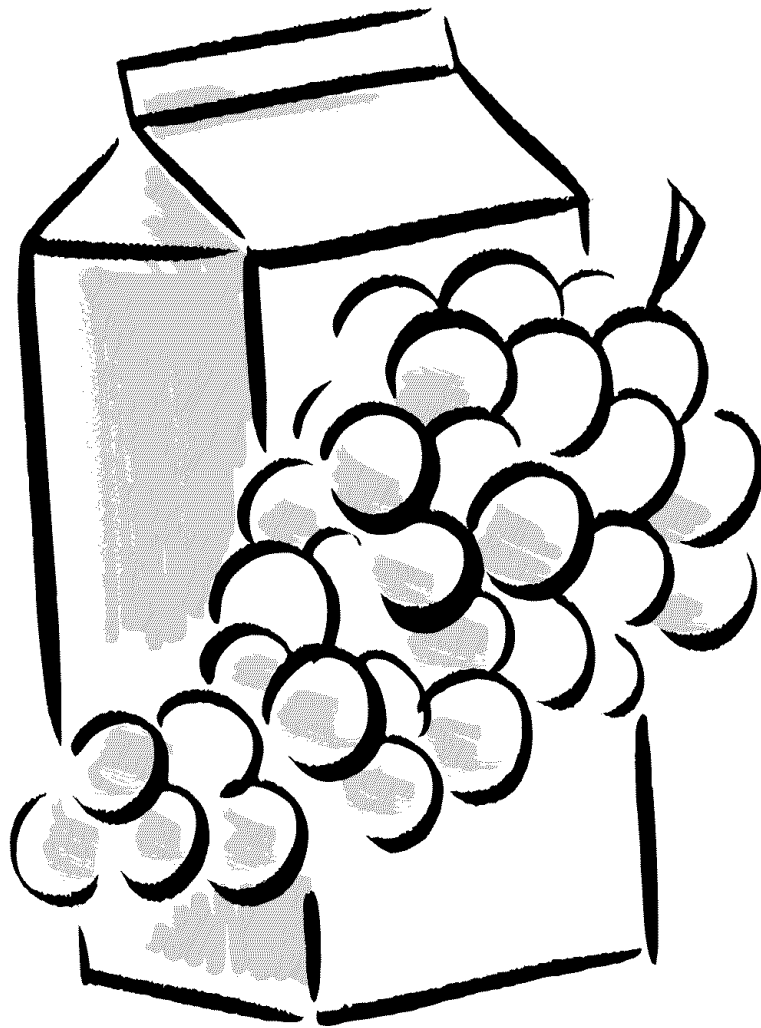


TABLE OF CONTENTS

REFRIGERATOR SAFETY	3
Proper Disposal of Your Old Refrigerator	3
INSTALLATION REQUIREMENTS	4
Location Requirements	4
Electrical Requirements	4
INSTALLATION INSTRUCTIONS	5
Unpacking	5
Install the Leveling Legs (optional)	5
Door Closing	5
Caster Installation (optional)	6
REFRIGERATOR USE	7
Normal Sounds	7
Using the Control	7
REFRIGERATOR FEATURES	7
Refrigerator Shelves	7
REFRIGERATOR CARE	8
Cleaning	8
Changing the Light Bulb	8
Vacation and Moving Care	8
Winterizing	8
TROUBLESHOOTING	9
ASSISTANCE OR SERVICE	10
In the U.S.A.	10
In Canada	10
Accessories	10
WARRANTY	11

TABLE DES MATIÈRES

SÉCURITÉ DU RÉFRIGÉRATEUR	12
Mise au rebut de votre vieux réfrigérateur	12
EXIGENCES D'INSTALLATION	13
Exigences d'emplacement	13
Spécifications électriques	13
INSTRUCTIONS D'INSTALLATION	14
Déballage	14
Installation des pieds de nivellement	14
Fermeture de la porte	14
Installation des roulettes (facultatif)	15
UTILISATION DU RÉFRIGÉRATEUR	16
Sons normaux	16
Utilisation de la commande	16
CARACTÉRISTIQUES DU RÉFRIGÉRATEUR	16
Tablettes du réfrigérateur	16
ENTRETIEN DU RÉFRIGÉRATEUR	17
Nettoyage	17
Changement de l'ampoule d'éclairage	17
Précautions à prendre pour les vacances et avant un déménagement	17
Préparation pour l'hiver	18
DÉPANNAGE	18
ASSISTANCE OU SERVICE	19
Accessoires	19
GARANTIE	20

REFRIGERATOR SAFETY

Your safety and the safety of others are very important.

We have provided many important safety messages in this manual and on your appliance. Always read and obey all safety messages.



This is the safety alert symbol.

This symbol alerts you to potential hazards that can kill or hurt you and others.

All safety messages will follow the safety alert symbol and either the word "DANGER" or "WARNING."

These words mean:

⚠ DANGER

You can be killed or seriously injured if you don't immediately follow instructions.

⚠ WARNING

You can be killed or seriously injured if you don't follow instructions.

All safety messages will tell you what the potential hazard is, tell you how to reduce the chance of injury, and tell you what can happen if the instructions are not followed.

IMPORTANT SAFETY INSTRUCTIONS

WARNING: To reduce the risk of fire, electric shock, or injury when using your refrigerator, follow these basic precautions:

- Plug into a grounded 3 prong outlet.
- Do not remove ground prong.
- Do not use an adapter.
- Do not use an extension cord.
- Disconnect power before servicing.
- Replace all panels before operating.
- Remove doors from your old refrigerator.
- Use nonflammable cleaner.
- Keep flammable materials and vapors, such as gasoline, away from refrigerator.
- Use two or more people to move and install refrigerator.

SAVE THESE INSTRUCTIONS

Proper Disposal of Your Old Refrigerator

⚠ WARNING

Suffocation Hazard

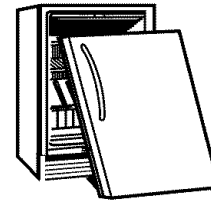
Remove doors from your old refrigerator.

Failure to do so can result in death or brain damage.

IMPORTANT: Child entrapment and suffocation are not problems of the past. Junked or abandoned refrigerators are still dangerous – even if they will sit for “just a few days.” If you are getting rid of your old refrigerator, please follow these instructions to help prevent accidents.

Before you throw away your old refrigerator or freezer:


- Take off the doors.
- Leave the shelves in place so that children may not easily climb inside.



INSTALLATION REQUIREMENTS

Location Requirements

⚠ WARNING



Explosion Hazard

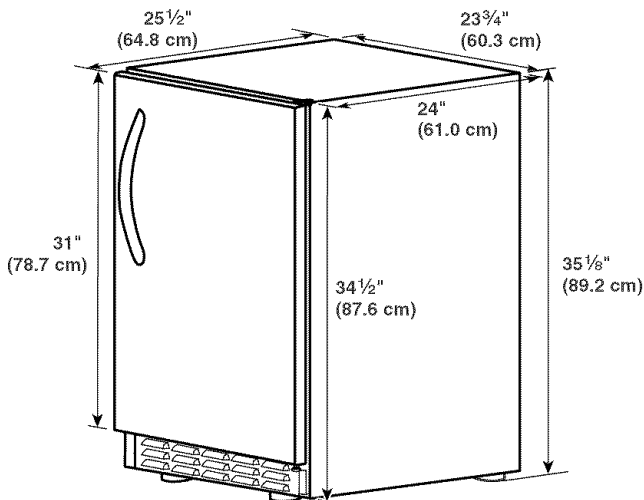
Keep flammable materials and vapors, such as gasoline, away from refrigerator.

Failure to do so can result in death, explosion, or fire.

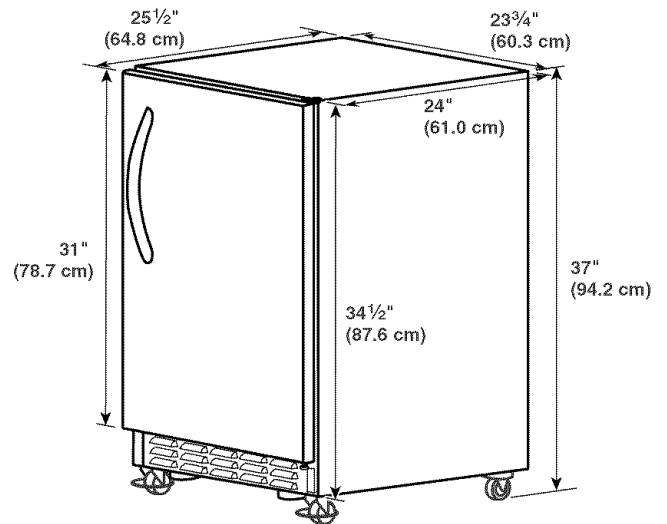
Your refrigerator operates most efficiently when located in an area where the temperature is normally between 15°F (-9°C) and 120°F (49°C).

The refrigerator is equipped with a heater to keep contents from freezing in cold outside temperatures below 32°F (0°C) and above 15°F (-9°C). If the temperature falls below 15°F (-9°C) remove contents from refrigerator. See "Winterizing."

Dimensions with Leveling Legs Installed




Dimensions with Casters Installed



Electrical Requirements

⚠ WARNING



Electrical Shock Hazard

Plug into a grounded 3 prong outlet.

Do not remove ground prong.

Do not use an adapter.

Do not use an extension cord.

Failure to follow these instructions can result in death, fire, or electrical shock.

Before you move your refrigerator into its final location, it is important to make sure you have the proper electrical connection.

Recommended grounding method

A 115 Volt, 60 Hz., AC only 15 ampere electrical supply, properly grounded in accordance with the National Electrical Code and local codes and ordinances, is required. Use an outlet that cannot be turned off by a switch. Do not use an extension cord.

NOTE: Before performing any type of installation, cleaning, or removing a light bulb, turn the control to the off position and then disconnect the refrigerator from the electrical source.

When you are finished, reconnect the refrigerator to the electrical source and reset the control to the desired setting. See "Using the Control."

INSTALLATION INSTRUCTIONS

Unpacking

! WARNING

Excessive Weight Hazard

Use two or more people to move and install refrigerator.

Failure to do so can result in back or other injury.

Removing packaging materials

- Using a 3/8" wrench, remove skids from the bottom of the refrigerator and properly discard the attachment bolts.
- Remove tape and glue residue from surfaces before turning on the refrigerator. Rub a small amount of liquid dish soap over the adhesive with your fingers. Wipe with warm water and dry.
- Do not use sharp instruments, rubbing alcohol, flammable fluids, or abrasive cleaners to remove tape or glue. These products can damage the surface of your refrigerator. For more information, see the "Refrigerator Safety" section.
- Dispose of all packaging materials properly.

When Moving Your Refrigerator:

Your refrigerator is heavy. When moving the refrigerator for cleaning or service, be sure to protect the floor. Always pull the refrigerator straight out when moving it. Do not wiggle or "walk" the refrigerator when trying to move it, as floor damage could occur.

Clean Before Using

After you remove all of the packaging materials, clean the inside of your refrigerator before using it. See the cleaning instructions in the "Refrigerator Care" section.

Install the Leveling Legs (optional)

! WARNING

Excessive Weight Hazard

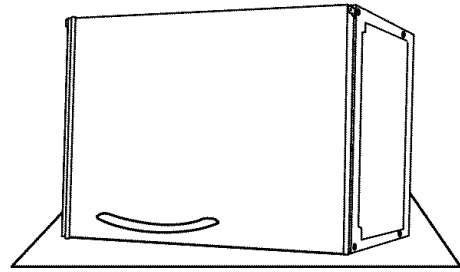
Use two or more people to move and install refrigerator.

Failure to do so can result in back or other injury.

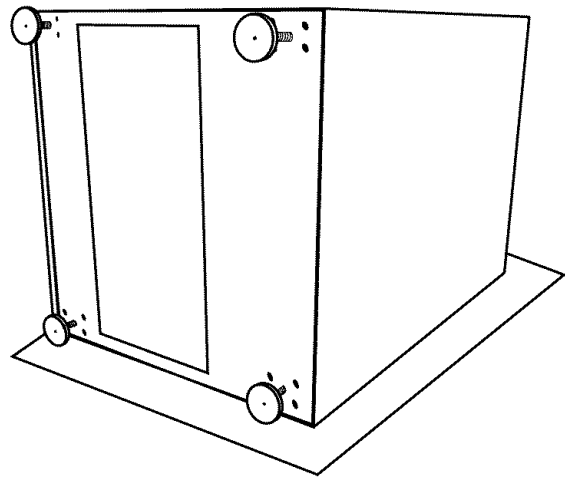
IMPORTANT:

- Always lay the refrigerator on its left side during the leveling leg installation. If you lay the refrigerator on its back, you can damage the refrigerator.
- Never place refrigerator on its top. It may damage the compressor.

- Allow the refrigerator to sit upright for 4 hours before plugging into an electrical outlet.
1. Using 2 or more people, lay the refrigerator on its side.



2. Screw two leveling legs into the bottom of the refrigerator at the front.
3. Screw two leveling legs into the bottom of the refrigerator at the rear.



4. Move the refrigerator to its final location.
5. Lower the front legs just enough to lift the cabinet up off of the floor.
6. Adjust the legs to level the refrigerator:
 - Turn the leveling leg to the right to lower that side of the refrigerator.
 - Turn the leveling leg to the left to raise that side of the refrigerator.

Door Closing

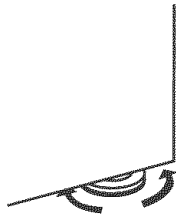
NOTE: You can install either the leveling legs or the casters on your refrigerator. Shims can be placed under the casters to level a refrigerator that has casters installed.

Door Closing

Your refrigerator has four leveling legs. If your refrigerator seems unsteady or you want the door to close more easily, adjust the refrigerator tilt using the instructions below:

1. Plug into a grounded 3 prong outlet.
2. Move the refrigerator into its final location.
3. Turn the leveling leg to the right to lower that side of the refrigerator or turn the leveling leg to the left to raise that side. It may take several turns of the leveling leg to adjust the tilt of the refrigerator.

NOTE: Having someone push against the top of the refrigerator takes some weight off the leveling legs. This makes it easier to adjust the screws.



- Open the door again and check to make sure that it closes as easily as you like. If not, tilt the refrigerator slightly more to the rear by turning both leveling screws to the right. It may take several more turns, and you should turn both leveling screws the same amount.

Caster Installation (optional)

WARNING

Excessive Weight Hazard

Use two or more people to move and install refrigerator.

Failure to do so can result in back or other injury.

Check that you have everything necessary for correct installation. Proper installation is your responsibility.

NOTE: Casters are an optional accessory. To order, call 1-800-442-9991 or contact your authorized KitchenAid dealer. In Canada, call, 1-800-807-6777.

Tools Needed:

- $\frac{5}{16}$ " Socket wrench or nut driver
- Cardboard or other protective material

Parts Supplied:

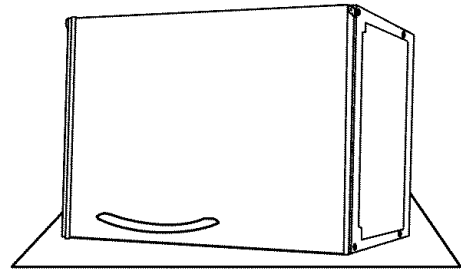
- Swivel Casters with Brakes (2)
- #10 – 24 x $\frac{3}{8}$ " Hex-head screws (16)
- Swivel Casters (2)

IMPORTANT:

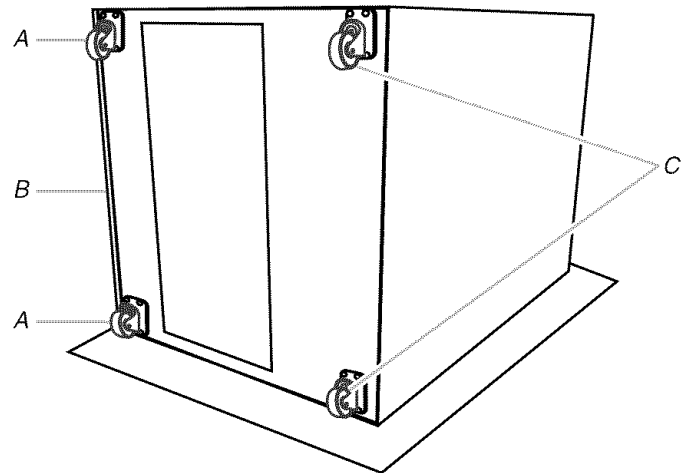
- Always lay the refrigerator on its left side during the caster installation. If you lay the refrigerator on its back, you can damage the refrigerator.
 - Never place refrigerator on its top. It may damage the compressor.
 - Allow the refrigerator to sit upright for 4 hours before plugging into an electrical outlet.
- Unplug refrigerator or disconnect power.
 - Remove food and any adjustable shelves from refrigerator.
 - Lay a piece of cardboard or other protective material on the floor. This will protect the refrigerator from scratches.

- Using two or more people, place the refrigerator on its side on top of the cardboard or protective material. Make sure the door hinge is facing upward.

IMPORTANT: It is important that the door hinge face upward during the caster installation.



- Remove the casters and screws from the box.
- Using #10 – 24 x $\frac{3}{8}$ " hex-head screws, attach both locking casters to the refrigerator front.
- Insert the hex-head screws from the bottom and screw through the caster into the bottom of the refrigerator.
- Using #10 – 24 x $\frac{3}{8}$ " hex-head screws, attach both swivel casters to the refrigerator back.
- Insert the hex-head screws from the bottom and screw through the caster into the bottom of the product.



A. Locking casters
B. Refrigerator front
C. Swivel casters

Complete the Assembly

- Lock the front caster wheels.
NOTE: Locking the casters will help prevent the refrigerator from moving while being lifted.
- Using two or more people, stand the refrigerator upright.
- Unlock the wheels and move the refrigerator into its desired location.
- After the refrigerator is in location, relock the wheels.
- Plug in refrigerator or reconnect power.

REFRIGERATOR USE

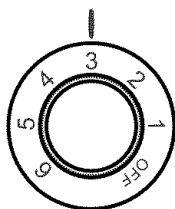
Normal Sounds

Your new refrigerator may make sounds that your old one didn't make. Because the sounds are new to you, you might be concerned about them. Most of the new sounds are normal. Hard surfaces, such as the flooring and surrounding structures, can make the sounds seem louder. The following describes the kinds of sounds and what may be making them.

- Your refrigerator is designed to run more efficiently to keep your food items at the desired temperatures and to minimize energy usage. The high efficiency compressor and fans may cause your refrigerator to run longer than your old one. You may also hear a pulsating or high-pitched sound from the compressor or fans adjusting to optimize performance.
- The evaporator fan runs continuously. This defrosts the evaporator, keeps a constant temperature inside the refrigerator and make the refrigerator more energy efficient.
- Rattling noises may come from the flow of refrigerant or items stored inside the refrigerator.
- As each cycle ends, you may hear a gurgling sound due to the refrigerant flowing in your refrigerator.
- You may hear water running into the drain pan when the refrigerator is defrosting.
- You may hear clicking sounds when the refrigerator starts or stops running.

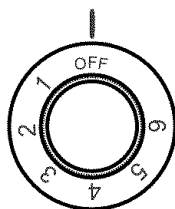
Using the Control

For your convenience, your refrigerator control is preset at the factory. When you first install your refrigerator, make sure that the control is still preset to the mid-setting.



To turn your refrigerator off, turn the refrigerator control to the off position.

NOTE: Your product will not cool when the refrigerator control is in the off position.



Adjusting Controls

The mid-setting indicated in the previous section should be correct for normal usage. The control is set correctly when beverages are as cold as you like.

If you need to adjust the temperature, wait at least 24 hours between adjustments and then recheck the temperature.

To make the refrigerator colder, adjust the control to the next higher setting. To make the refrigerator less cold, adjust the control to the next lower setting.

REFRIGERATOR FEATURES

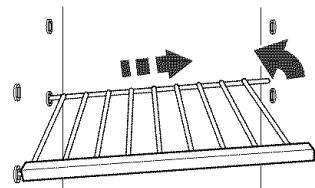
Refrigerator Shelves

Your outdoor refrigerator has two adjustable shelves. The upper shelf will fit in either of the two upper positions in the refrigerator. The lower shelf will fit in either of the two lower positions in the refrigerator.

To install shelves:

1. Remove the shelf by lifting the entire shelf slightly and move it all the way to one side. Tilt the other side up and out of the shelf supports.
2. Replace the shelf by inserting one end all the way into the center of the shelf supports. Then, lower the other end of the shelf and insert it into the shelf supports.

NOTE: The shelf should lower slightly and lock into place. If the shelf does not appear stable, make sure both ends of the shelf are inserted into the shelf supports.



REFRIGERATOR CARE

Cleaning



Clean the refrigerator about once a month to prevent odors from building up. Wipe up spills immediately.

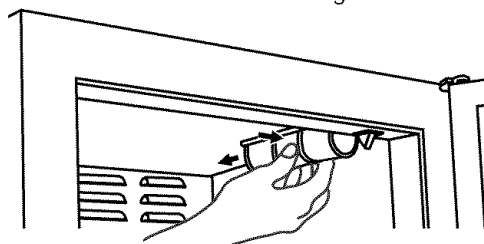
To clean your refrigerator:

1. Unplug refrigerator or disconnect power.
 2. Remove all removable parts from inside, such as shelves, etc.
 3. Hand wash, rinse, and dry removable parts and interior surfaces thoroughly. Use a clean sponge or soft cloth and a mild detergent in warm water.
 - Do not use abrasive or harsh cleaners such as window sprays, scouring cleansers, flammable fluids, cleaning waxes, concentrated detergents, bleaches or cleansers containing petroleum products on plastic parts, interior and door liners or gaskets. Do not use paper towels, scouring pads, or other harsh cleaning tools. These can scratch or damage materials.
 - To help remove odors, you can wash interior walls with a mixture of warm water and baking soda (2 tbs. to 1 qt. [26 g to 0.95 L] of water).
 4. Wash exterior with a clean sponge or soft cloth and a mild detergent in warm water. Do not use abrasive or harsh cleaners. Dry thoroughly with a soft cloth.
 - To keep your stainless steel refrigerator looking like new and to remove minor scuffs or marks, it is suggested that you use the manufacturer's approved Stainless Steel Cleaner & Polish.
- IMPORTANT:** This cleaner is for stainless steel parts only!
- Do not allow the Stainless Steel Cleaner & Polish to come into contact with any plastic parts such as the trim pieces or door gaskets. If accidental contact does occur, clean plastic part with a sponge and mild detergent in warm water. Dry thoroughly with a soft cloth. To order the cleaner, see the "Accessories" section.
5. Replace the removable parts.
 6. Clean the condenser coils regularly. They are located at the back of the cabinet. Coils may need to be cleaned as often as every other month. This may help save energy.
 - Use a vacuum with an extended attachment to clean the condenser coils when they are dusty or dirty.
 7. Plug in refrigerator or reconnect power.

Changing the Light Bulb

NOTE: Not all bulbs will fit your refrigerator. Be sure to replace the bulb with one of the same size, shape and wattage.

1. Unplug refrigerator or disconnect power.
2. Remove the light shield by squeezing the sides and sliding the shield toward the rear of the refrigerator.



3. Replace the light bulb with an appliance bulb of the same wattage.
4. Squeeze the sides of the light shield and slide it back into place.
5. Plug in refrigerator or reconnect power.

Vacation and Moving Care

Vacations

If you choose to leave the refrigerator on while you're away, use up any perishables and freeze other items.

If you choose to turn the refrigerator off before you leave, follow these steps.

1. Remove all food from the refrigerator.
2. Turn the refrigerator control to the off position. See "Using the Control."
3. Unplug the refrigerator.
4. Clean the refrigerator. See "Cleaning."
5. Tape a rubber or wood block to the top of the door to prop it open far enough for air to get in. This stops odor and mold from building up.

Moving

When you are moving your refrigerator to a new home, follow these steps to prepare it for the move.

1. Remove all food from the refrigerator.
2. Turn the refrigerator control to the off position. See "Using the Control."
3. Unplug the refrigerator.
4. Clean, wipe, and dry it thoroughly.
5. Take out all removable parts, wrap them well, and tape them together so they don't shift and rattle during the move.
6. Tape the doors shut and tape the power cord to the refrigerator cabinet.

When you get to your new home, put everything back and refer to the "Installation Instructions" section for preparation instructions.

Winterizing

Your refrigerator is equipped with a heater to keep it functioning normally in temperatures as low as 15°F (-9°C). If the temperature drops below 15°F (-9°C), remove all items from the refrigerator to prevent them from freezing.

TROUBLESHOOTING

Try the solutions suggested here first in order to avoid the cost of an unnecessary service call.

Your refrigerator will not operate

- **Is the power supply cord unplugged?** Plug into a grounded 3 prong outlet.
 - **Has a household fuse blown or circuit breaker tripped?** Replace the fuse or reset the circuit.
 - **Is the Refrigerator Control turned to the OFF position?** See “Using the Control.”
-

The lights do not work

- **Is the power supply cord unplugged?** Plug into a grounded 3 prong outlet.
 - **Is a light bulb loose in the socket?** Turn the refrigerator control to the off position. Disconnect the refrigerator from the electrical supply. Gently remove the bulb and reinsert. Then reconnect the refrigerator to the electrical supply and reset the refrigerator control.
 - **Has a light bulb burned out?** Replace with an appliance bulb of the same wattage, size, and shape. See “Changing the Light Bulb.”
-

There is water in the defrost drain pan

- **Is the refrigerator defrosting?** The water will evaporate. It is normal for water to drip into the defrost pan.
 - **Is it more humid than normal?** Expect that the water in the defrost pan will take longer to evaporate. This is normal when it is hot or humid.
-

The motor seems to run too much

- **Is the temperature outside hotter than normal?** Expect the motor to run longer under warm conditions. At normal outdoor temperatures, expect your motor to run about 40% to 80% of the time. Under warmer conditions, expect it to run even more of the time.
 - **Has a large amount of food just been added to the refrigerator?** Adding a large amount of food warms the refrigerator. It is normal for the motor to run longer in order to cool the refrigerator back down.
 - **Is the door opened often?** Expect the motor to run longer when this occurs. In order to conserve energy, try to get everything you need out of the refrigerator at once, keep food organized so it is easy to find, and close the door as soon as the food is removed.
 - **Is the control set correctly for the surrounding conditions?** See “Using the Control.”
 - **Is the door closed completely?** Push the doors firmly shut. If they will not shut all the way, see “The door will not close completely” later in this section.
 - **Are the condenser coils dirty?** This prevents air transfer and makes the motor work harder. Clean the condenser coils. See “Cleaning.”
 - **Is the evaporator fan running?** The evaporator fan is designed to run continuously. See “Normal Sounds.”
-

Temperature is too warm

- **Is the door opened often?** Be aware that the refrigerator will warm when this occurs. In order to keep the refrigerator cool, try to get everything you need out of the refrigerator at once, keep food organized so it is easy to find, and close the door as soon as the food is removed.
 - **Has a large amount of food just been added to the refrigerator?** Adding a large amount of food warms the refrigerator. It can take several hours for the refrigerator to return to the normal temperature.
 - **Is the control set correctly for the surrounding conditions?** See “Using the Control.”
-

There is interior moisture buildup

- **Is the door opened often?** To avoid humidity buildup, try to get everything you need out of the refrigerator at once, keep food organized so it is easy to find, and close the door as soon as the food is removed. When the door is opened, humidity from the room air enters the refrigerator. The more often the door is opened, the faster humidity builds up, especially when the room itself is very humid.
 - **Is it humid?** It is normal for moisture to build up inside the refrigerator when the air is humid.
 - **Is the food packaged correctly?** Check that all food is securely wrapped. Wipe off damp food containers before placing in the refrigerator.
 - **Is the control set correctly for the surrounding conditions?** See “Using the Control.”
-

The door is difficult to open

- **Is the gasket dirty or sticky?** Clean the gasket and the surface that it touches. Rub a thin coat of paraffin wax on the gasket following cleaning.
-

The door will not close completely

- **Are food packages blocking the door open?** Rearrange containers so that they fit more tightly and take up less space.
 - **Are the shelves out of position?** Put the shelves back into their correct positions. See “Refrigerator Use” for more information.
 - **Is the gasket sticking?** Clean the gasket and the surface that it touches. Rub a thin coat of paraffin wax on the gasket following cleaning.
-

ASSISTANCE OR SERVICE

Before calling for assistance or service, please check "Troubleshooting." It may save you the cost of a service call. If you still need help, follow the instructions below.

When calling, please know the purchase date and the complete model and serial number of your appliance. This information will help us to better respond to your request.

If you need replacement parts

If you need to order replacement parts, we recommend that you only use factory specified replacement parts. Factory specified replacement parts will fit right and work right because they are made with the same precision used to build every new KITCHENAID® appliance.

To locate factory specified replacement parts in your area, call our Customer Interaction Center telephone number or your nearest designated service center.

In the U.S.A.

Call the KitchenAid Customer Interaction Center toll free: **1-800-422-1230**.

Our consultants provide assistance with:

- Features and specifications on our full line of appliances.
- Installation information.
- Use and maintenance procedures.
- Accessory and repair parts sales.
- Specialized customer assistance (Spanish speaking, hearing impaired, limited vision, etc.).
- Referrals to local dealers, repair parts distributors, and service companies. KitchenAid designated service technicians are trained to fulfill the product warranty and provide after-warranty service, anywhere in the United States.

To locate the KitchenAid designated service company in your area, you can also look in your telephone directory Yellow Pages.

For further assistance

If you need further assistance, you can write to KitchenAid with any questions or concerns at:

KitchenAid Brand Home Appliances
Customer Interaction Center
553 Benson Road
Benton Harbor, MI 49022-2692

Please include a daytime phone number in your correspondence.

In Canada

Call the KitchenAid Canada Customer Interaction Center toll free: **1-800-461-5681** Monday to Friday 8:00 a.m. - 6:00 p.m. (EST). Saturday 8:30 a.m. - 4:30 p.m. (EST).

Our consultants provide assistance with:

- Features and specifications on our full line of appliances.
- Referrals to local dealers.

For service in Canada

Call **1-800-807-6777**. KitchenAid Canada designated service technicians are trained to fulfill the product warranty and provide after-warranty service, anywhere in Canada.

For further assistance

If you need further assistance, you can write to KitchenAid Canada with any questions or concerns at:

KitchenAid Canada
Customer Interaction Center
1901 Minnesota Court
Mississauga, Ontario L5N 3A7

Please include a daytime phone number in your correspondence.

Accessories

To order accessories, call **1-800-442-9991** and ask for the appropriate part number listed below or contact your authorized KitchenAid dealer. In Canada, call **1-800-807-6777**.

Stainless Steel Cleaner & Polish

Order Part #4396095

Replacement Light Bulb

Order Part #8206651

Casters

Order Part #4396337

Vinyl Cover

Order Part #4396334

KITCHENAID® REFRIGERATOR WARRANTY

ONE-YEAR FULL WARRANTY ON REFRIGERATOR

For one year from the date of purchase, when this refrigerator is operated and maintained according to instructions attached to or furnished with the product, KitchenAid will pay for factory specified replacement parts and repair labor costs to correct defects in materials or workmanship. Service must be provided by a KitchenAid designated service company.

SECOND THROUGH FIFTH YEAR FULL WARRANTY ON CAVITY LINER AND SEALED REFRIGERATION SYSTEM PARTS AS LISTED

In the second through fifth years from the date of purchase, when this refrigerator is operated and maintained according to instructions attached to or furnished with the product, KitchenAid will pay for replacement or repair of the refrigerator/freezer cavity liner (including labor costs) if the part cracks due to defective materials or workmanship. Service must be provided by a KitchenAid designated service company.

Also, in the second through fifth years from the date of purchase, KitchenAid will pay for factory specified replacement parts and repair labor costs to correct defects in materials or workmanship in the sealed refrigeration system. These parts are: compressor, evaporator, condenser, dryer, and connecting tubing. Service must be performed by a KitchenAid designated service company.

KitchenAid will not pay for:

1. Service calls to correct the installation of your refrigerator, to instruct you how to use your refrigerator, to replace house fuses or correct house wiring or plumbing, to replace light bulbs, or replacement water filters other than as noted above.
 2. Repairs when your refrigerator is used in other than normal, single-family household use.
 3. Pickup and delivery. Your refrigerator is designed to be repaired in the home.
 4. Damage resulting from accident, alteration, misuse, abuse, fire, flood, improper installation, acts of God, or use of products not approved by KitchenAid or KitchenAid Canada.
 5. Any food loss due to product failure.
 6. Repairs to parts or systems resulting from unauthorized modifications made to the appliance.
 7. Replacement parts or repair labor costs for units operated outside the United States or Canada.
 8. In Canada, travel or transportation expenses for customers who reside in remote areas.
-

KITCHENAID AND KITCHENAID CANADA SHALL NOT BE LIABLE FOR INCIDENTAL OR CONSEQUENTIAL DAMAGES.

Some states or provinces do not allow the exclusion or limitation of incidental or consequential damages, so this exclusion or limitation may not apply to you. This warranty gives you specific legal rights, and you may also have other rights which vary from state to state or province to province.

Outside the 50 United States and Canada, this warranty does not apply. Contact your authorized KitchenAid dealer to determine if another warranty applies.

If you need service, first see the "Troubleshooting" section of this book. After checking "Troubleshooting," additional help can be found by checking the "Assistance or Service" section or by calling the KitchenAid Customer Interaction Center, **1-800-422-1230** (toll-free), from anywhere in the U.S.A. In Canada, contact your designated KitchenAid Canada service company or call **1-800-807-6777**. 3/04

Keep this book and your sales slip together for future reference. You must provide proof of purchase or installation date for in-warranty service.

Write down the following information about your refrigerator to better help you obtain assistance or service if you ever need it. You will need to know your complete model number and serial number. You can find this information on the model and serial number label located on the inside wall of the refrigerator compartment.

Dealer name _____
Address _____
Phone number _____
Model number _____
Serial number _____
Purchase date _____

SÉCURITÉ DU RÉFRIGÉRATEUR

Votre sécurité et celle des autres est très importante.

Nous donnons de nombreux messages de sécurité importants dans ce manuel et sur votre appareil ménager. Assurez-vous de toujours lire tous les messages de sécurité et de vous y conformer.



Voici le symbole d'alerte de sécurité.

Ce symbole d'alerte de sécurité vous signale les dangers potentiels de décès et de blessures graves à vous et à d'autres.

Tous les messages de sécurité suivront le symbole d'alerte de sécurité et le mot "DANGER" ou "AVERTISSEMENT". Ces mots signifient :

▲ DANGER

Risque possible de décès ou de blessure grave si vous ne suivez pas immédiatement les instructions.

▲ AVERTISSEMENT

Risque possible de décès ou de blessure grave si vous ne suivez pas les instructions.

Tous les messages de sécurité vous diront quel est le danger potentiel et vous disent comment réduire le risque de blessure et ce qui peut se produire en cas de non-respect des instructions.

IMPORTANTES INSTRUCTIONS DE SÉCURITÉ

AVERTISSEMENT : Pour réduire les risques d'incendie, de choc électrique ou des blessures lors de l'utilisation du réfrigérateur, prendre quelques précautions fondamentales, y compris les suivantes :

- Brancher l'appareil sur une prise à 3 alvéoles reliée à la terre.
- Ne pas enlever la broche de liaison à la terre.
- Ne pas utiliser un adaptateur.
- Ne pas utiliser un câble de rallonge.
- Utiliser deux ou plus de personnes pour déplacer et installer le réfrigérateur.
- Débrancher la source de courant électrique avant l'entretien.
- Replacer tous les panneaux avant de faire la remise en marche.
- Utiliser un produit de nettoyage ininflammable.
- Garder les matériaux et les vapeurs inflammables, telle que l'essence, loin du réfrigérateur.
- Enlever les portes de votre vieux réfrigérateur.

CONSERVEZ CES INSTRUCTIONS

Mise au rebut de votre vieux réfrigérateur

▲ AVERTISSEMENT

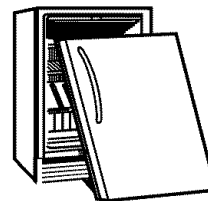
Risque de suffoquer

Enlever les portes de votre vieux réfrigérateur.

Le non-respect de cette instruction peut causer un décès ou des lésions cérébrales.

Avant de jeter votre vieux réfrigérateur ou congélateur :

- Enlever les portes.
- Laisser les tablettes en place de sorte que les enfants ne peuvent pas y pénétrer facilement.



IMPORTANT : L'emprisonnement et l'étouffement des enfants ne sont pas un problème du passé. Les réfrigérateurs jetés ou abandonnés sont encore dangereux, même s'ils sont laissés abandonnés pendant "quelques jours seulement". Si vous vous débarrassez de votre vieux réfrigérateur, veuillez suivre les instructions suivantes pour aider à éviter les accidents.

EXIGENCES D'INSTALLATION

Exigences d'emplacement

⚠ AVERTISSEMENT



Risque d'explosion

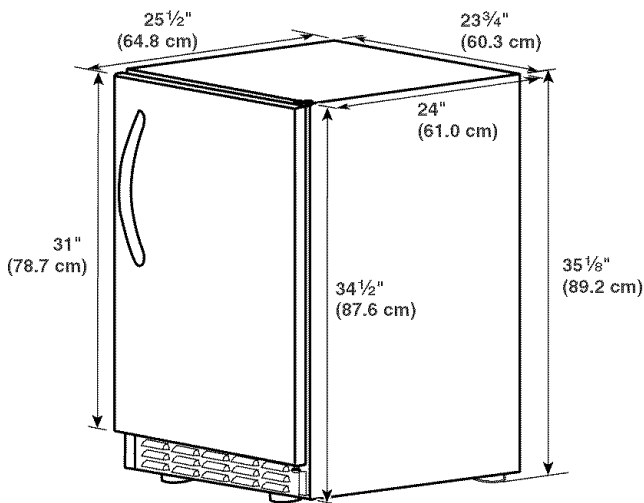
Garder les matériaux et les vapeurs inflammables, telle que l'essence, loin du réfrigérateur.

Le non-respect de cette instruction peut causer un décès, une explosion ou un incendie.

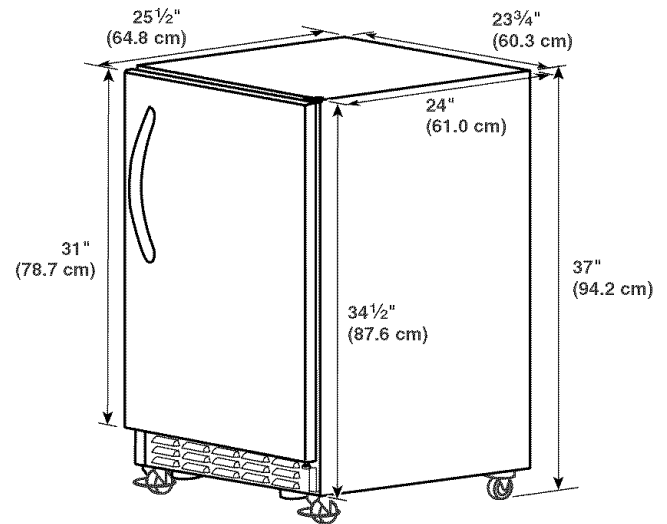
Votre réfrigérateur fonctionne à son efficacité maximale lorsqu'il se trouve dans un endroit où la température est normalement entre 15°F (-9°C) et 120°F (49°C).

Le réfrigérateur est équipé d'un chauffage afin d'éviter que le contenu gèle à des températures extérieures en-dessous de 32°F (0°C) et au-dessus de 15°F (-9°C). Si la température descend en dessous de 15°F (-9°C), vider le réfrigérateur de son contenu. Voir "Préparation pour l'hiver".

Dimensions avec pieds de nivellement installés



Dimensions avec roulettes installées



Spécifications électriques

⚠ AVERTISSEMENT



Risque de choc électrique

Brancher sur une prise à 3 alvéoles reliée à la terre.

Ne pas enlever la broche de liaison à la terre.

Ne pas utiliser un adaptateur.

Ne pas utiliser un câble de rallonge.

Le non-respect de ces instructions peut causer un décès, un incendie ou un choc électrique.

Avant de placer le réfrigérateur à son emplacement final, il est important de vous assurer d'avoir la connexion électrique appropriée :

Méthode recommandée de mise à la terre

Il faut un circuit d'alimentation électrique CA de 115 volts, 60 Hz, de seulement 15 ampères mis à la terre conformément aux instructions du Code national de l'électricité et des codes et règlements locaux. Il est recommandé d'utiliser un circuit distinct pour alimenter uniquement votre réfrigérateur. Utiliser une prise murale qui ne peut pas être mise hors circuit à l'aide d'un commutateur. Ne pas utiliser de rallonge.

REMARQUE : Avant de procéder à tout type d'installation, de nettoyage ou de changement d'une ampoule, tourner la commande sur la position d'arrêt (off) puis déconnecter le réfrigérateur de la source de courant électrique.

Une fois l'opération terminée, reconnecter le réfrigérateur à la source de courant électrique et remettre la commande au réglage désiré. Voir "Réglage des commandes".

INSTRUCTIONS D'INSTALLATION

Déballage

⚠ AVERTISSEMENT

Risque du poids excessif

Utiliser deux ou plus de personnes pour déplacer et installer le réfrigérateur.

Le non-respect de cette instruction peut causer une blessure au dos ou d'autre blessure.

Enlever les matériaux d'emballage

- En utilisant une clé de 3/8", enlever les cales se trouvant en bas du réfrigérateur et jeter les boulons de fixation.
- Enlever tout résidu de ruban adhésif et de colle des surfaces du réfrigérateur avant de le mettre en marche. Frotter une petite quantité de savon liquide à vaisselle sur l'adhésif avec les doigts. Rincer à l'eau tiède et sécher.
- Ne pas utiliser d'instruments coupants, d'alcool à friction, de liquides inflammables ou de nettoyants abrasifs pour enlever le ruban adhésif ou la colle. Ces produits peuvent endommager la surface de votre réfrigérateur. Pour plus de renseignements, voir la section "Sécurité du réfrigérateur".
- Jeter tout le matériel d'emballage.

Déplacement de votre réfrigérateur :

Votre réfrigérateur est lourd. Lors du déplacement du réfrigérateur pour le nettoyage ou le service, veiller à protéger le plancher. Toujours tirer le réfrigérateur tout droit lors du déplacement. Ne pas incliner le réfrigérateur d'un côté ou de l'autre ni le "faire marcher" en essayant de le déplacer car le plancher pourrait être endommagé.

Nettoyage avant utilisation

Après avoir enlevé tout le matériel d'emballage, nettoyer l'intérieur du réfrigérateur avant de l'utiliser. Voir les instructions de nettoyage dans la section "Entretien du réfrigérateur".

Installation des pieds de nivellement (facultatif)

⚠ AVERTISSEMENT

Risque du poids excessif

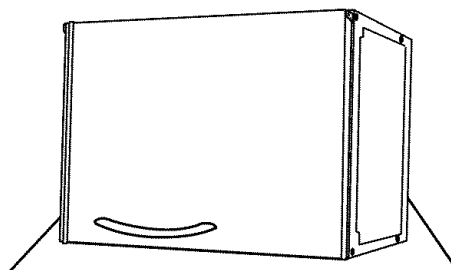
Utiliser deux ou plus de personnes pour déplacer et installer le réfrigérateur.

Le non-respect de cette instruction peut causer une blessure au dos ou d'autre blessure.

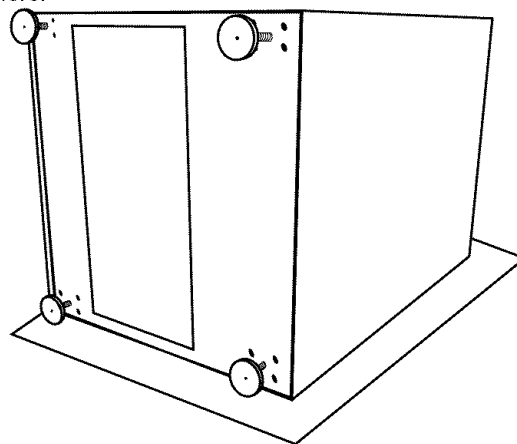
IMPORTANT :

- Toujours faire reposer le réfrigérateur sur le côté gauche pendant l'installation des pieds de nivellement. Le réfrigérateur peut être endommagé s'il repose sur l'arrière.

- Ne jamais faire reposer le réfrigérateur sur sa partie supérieure. Le compresseur pourrait être endommagé.
 - Laisser le réfrigérateur à la position verticale pendant 4 heures avant de le connecter à la source de courant électrique.
1. À deux personnes ou plus, faire reposer le réfrigérateur sur le côté.



2. Visser deux pieds de nivellement en bas du réfrigérateur à l'avant.
3. Visser deux pieds de nivellement en bas du réfrigérateur à l'arrière.



4. Déplacer le réfrigérateur jusqu'à son emplacement final.
5. Abaisser les pieds avant juste assez pour soulever la caisse au-dessus du sol.
6. Ajuster les pieds pour niveler le réfrigérateur.
 - Tourner le pied de nivellement vers la droite pour abaisser ce côté du réfrigérateur.
 - Tourner le pied de nivellement vers la gauche pour soulever ce côté du réfrigérateur.

Fermeture de la porte

REMARQUE : On peut installer soit les pieds de nivellement soit les roulettes sur le réfrigérateur. Il est possible de placer des cales sous les roulettes pour niveler le réfrigérateur/congélateur convertible.

Fermeture de la porte

Le réfrigérateur a quatre pieds de nivellement. Si votre réfrigérateur semble instable ou si vous désirez que la porte se ferme plus facilement, ajuster l'inclinaison du réfrigérateur en observant les instructions ci-dessous :

1. Brancher sur une prise à 3 alvéoles reliée à la terre.
2. Déplacer le réfrigérateur à son emplacement final.

3. Tourner le boulon de nivellement vers la droite pour abaisser ce côté du réfrigérateur ou vers la gauche pour soulever ce côté. Il peut être nécessaire de tourner les boulons plusieurs tours pour ajuster l'inclinaison du réfrigérateur.

REMARQUE : Si une autre personne pousse le haut du réfrigérateur, le poids devient moins lourd sur les pieds de nivellement, ce qui rend plus facile l'ajustement des vis.



4. Ouvrir la porte de nouveau et vérifier pour s'assurer qu'elle ferme comme vous le désirez. Sinon, incliner le réfrigérateur un peu plus vers l'arrière en tournant les deux vis de nivellement vers la droite. Plusieurs tours peuvent être nécessaires et vous devez tourner les deux vis de nivellement de façon égale.

Installation des roulettes (facultatif)

⚠ AVERTISSEMENT

Risque du poids excessif

Utiliser deux ou plus de personnes pour déplacer et installer le réfrigérateur.

Le non-respect de cette instruction peut causer une blessure au dos ou d'autre blessure.

S'assurer d'avoir tout le nécessaire pour une installation convenable. C'est à l'utilisateur qu'incombe la responsabilité de réaliser une installation correcte.

REMARQUE : Les roulettes sont un accessoire optionnel. Pour commander, appeler le **1-800-442-9991** ou contacter votre revendeur agréé KitchenAid. Au Canada, composer le **1-800-807-6777**.

Outillage nécessaire :

- Clé à douille de $\frac{5}{16}$ " ou tourne-écrou
- Carton ou autre matériel de protection

Pièces fournies :

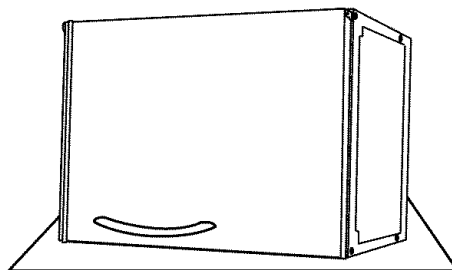
- Roulettes pivotantes avec freins (2)
- Vis à tête hexagonale de #10 – 24 x $\frac{3}{8}$ " (16)
- Roulettes pivotantes (2)

IMPORTANT :

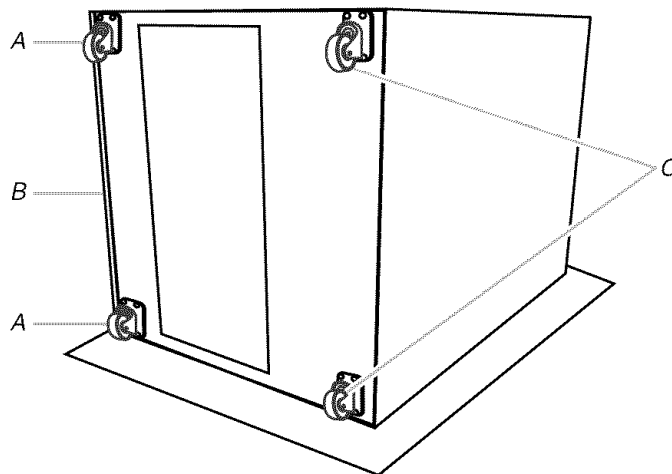
- Toujours faire reposer le réfrigérateur sur le côté gauche pendant l'installation des pieds de nivellement. Le réfrigérateur peut être endommagé s'il repose sur l'arrière.
 - Ne jamais faire reposer le réfrigérateur sur sa partie supérieure. Le compresseur pourrait être endommagé.
 - Laisser le réfrigérateur à la position verticale pendant 4 heures avant de le connecter à la source de courant électrique.
1. Débrancher le réfrigérateur ou déconnecter la source de courant électrique.

2. Enlever la nourriture et toutes les tablettes ajustables du réfrigérateur.
3. Placer un morceau de carton ou de matériel de protection sur le plancher. Ceci protégera votre réfrigérateur des égratignures.
4. À deux personnes ou plus, placer le réfrigérateur sur le côté en haut du carton ou du matériel de protection. S'assurer que la charnière de la porte est face vers le haut.

IMPORTANT : Il est important de placer la charnière de la porte face vers le haut pendant toute la durée de l'installation des roulettes.



5. Enlever les roulettes et les vis de la boîte.
6. En utilisant les vis à tête hexagonale de #10 – 24 x $\frac{3}{8}$ ", fixer les deux roulettes bloquantes à l'avant du réfrigérateur.
7. Insérer les vis à tête hexagonale du bas et visser à travers les roulettes dans la partie inférieure du réfrigérateur.
8. En utilisant les vis à tête hexagonale de #10 – 24 x $\frac{3}{8}$ ", fixer les deux roulettes pivotantes à l'arrière du réfrigérateur.
9. Insérer les vis à tête hexagonale du bas et visser à travers les roulettes dans la partie inférieure de l'appareil.



A. Roulettes bloquantes
B. Avant du réfrigérateur
C. Roulettes pivotantes

Fin de l'assemblage

1. Bloquer les roulettes à l'avant.
REMARQUE : Bloquer les roulettes aidera à empêcher le réfrigérateur de se déplacer au moment d'être soulevé.
2. À deux personnes ou plus, remettre le réfrigérateur en position verticale.
3. Débloquer les roues et déplacer le réfrigérateur à l'emplacement désiré.
4. Une fois le réfrigérateur en place, rebloquer les roues.
5. Brancher le réfrigérateur ou reconnecter la source de courant électrique.

UTILISATION DU RÉFRIGÉRATEUR

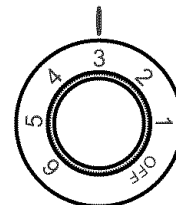
Sons normaux

Il est possible que le réfrigérateur neuf émette des sons que l'appareil précédent ne produisait pas. Comme ces sons sont nouveaux, ils peuvent vous inquiéter. La plupart de ces nouveaux sons sont normaux. Les sons peuvent vous sembler plus forts avec des surfaces dures telles que le plancher et les structures adjacentes. Les descriptions suivantes indiquent les genres de sons et leur cause possible.

- Le réfrigérateur est conçu pour fonctionner plus efficacement afin de conserver les aliments aux températures désirées et de minimiser l'utilisation d'énergie. Le compresseur très efficace peut faire fonctionner votre réfrigérateur neuf plus longtemps que l'ancien. Il se peut également que vous entendiez un bruit saccadé ou aigu en réglant le compresseur ou les ventilateurs pour optimiser la performance.
- Le ventilateur d'évaporation fonctionne de manière continue. Ceci dégivre l'évaporateur, maintient une température constante à l'intérieur du réfrigérateur et rend le réfrigérateur plus efficace.
- Des vibrations sonores peuvent provenir de l'écoulement du réfrigérant ou d'articles placés dans le réfrigérateur.
- À la fin de chaque programme, vous pouvez entendre un gargouillement attribuable au réfrigérant qui se trouve dans votre réfrigérateur.
- Vous pouvez entendre l'écoulement de l'eau dans le plat de récupération d'eau de dégivrage lorsque le réfrigérateur dégivre.
- Vous pouvez entendre des déclics lorsque le réfrigérateur se met en marche ou s'arrête.

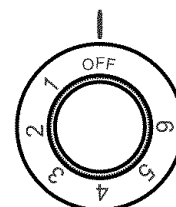
Utilisation de la commande

Pour votre commodité, la commande du réfrigérateur est pré-réglée à l'usine. Lors de l'installation initiale du réfrigérateur, s'assurer que la commande est encore pré-réglée au réglage moyen.



Pour éteindre le réfrigérateur, tourner la commande du réfrigérateur sur la position d'arrêt (off).

REMARQUE : Votre produit ne se refroidira pas si la commande du réfrigérateur est sur la position d'arrêt (off).



Ajustement des commandes

Les réglages moyens indiqués à la section précédente doivent convenir à l'utilisation normale du réfrigérateur. La commande est réglée correctement lorsque les boissons sont à la température idéale.

S'il est nécessaire d'ajuster la température, attendre au moins 24 heures entre chaque ajustement puis revérifier la température.

Pour rendre le réfrigérateur plus froid, ajuster la commande au réglage plus élevé suivant. Pour rendre le réfrigérateur moins froid, ajuster la commande au réglage plus bas suivant.

CARACTÉRISTIQUES DU RÉFRIGÉRATEUR

Tablettes du réfrigérateur

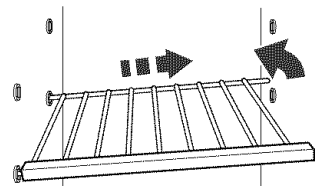
Le réfrigérateur d'extérieur a deux tablettes ajustables. La tablette supérieure convient aux deux positions en haut du réfrigérateur. La tablette inférieure convient aux deux positions en bas du réfrigérateur.

Installation des tablettes :

1. Enlever la tablette en la soulevant complètement et en la déplaçant entièrement sur un côté. Incliner l'autre côté vers le haut et la sortir des supports de tablette.

2. Réinstaller la tablette en insérant une extrémité complètement au centre des supports de tablette. Puis abaisser l'extrémité inférieure de la tablette et l'insérer dans les supports.

REMARQUE : La tablette doit s'abaisser légèrement et se verrouiller en place. Si la tablette ne semble pas stable, s'assurer que les deux extrémités sont insérées dans les supports.



ENTRETIEN DU RÉFRIGÉRATEUR

Nettoyage

AVERTISSEMENT



Risque d'explosion

Utiliser un produit de nettoyage ininflammable.

Le non-respect de cette instruction peut causer un décès, une explosion ou un incendie.

Nettoyer le réfrigérateur environ une fois par mois pour empêcher une accumulation d'odeurs. Essuyer les renversements immédiatement.

Nettoyage du réfrigérateur :

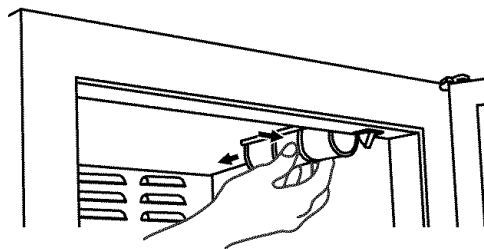
1. Débrancher le réfrigérateur ou déconnecter la source de courant électrique.
 2. Retirer toutes les pièces amovibles de l'intérieur, telles que les tablettes, etc.
 3. Laver à la main, rincer et sécher les pièces amovibles et les surfaces internes à fond. Utiliser une éponge propre ou un linge doux et un détergent doux dans de l'eau tiède.
 - Ne pas utiliser de nettoyants abrasifs tels que les nettoyants à vitre en atomiseurs, nettoyants à récurer, liquides inflammables, cires nettoyantes, détergents concentrés, eaux de Javel ou nettoyants contenant du pétrole sur les pièces en plastique, les garnitures intérieures et de portes ou les joints de portes. Ne pas utiliser d'essuie-tout, tampons à récurer ou autres outils de nettoyage abrasifs. Ces produits risquent d'égratigner ou d'endommager les matériaux.
 - Pour aider à éliminer les odeurs, on peut laver les parois intérieures avec un mélange d'eau tiède et de bicarbonate de soude (2 c. à soupe pour 1 pinte [26 g pour 0,95 L] d'eau).
 4. Laver les surfaces extérieures avec une éponge propre ou un linge doux et un détergent doux dans de l'eau tiède. Ne pas utiliser de nettoyants abrasifs. Sécher à fond avec un linge doux.
 - Pour que votre réfrigérateur en acier inoxydable conserve son aspect neuf et pour enlever les petites égratignures ou marques, il est suggéré d'utiliser le Nettoyant et poli pour acier inoxydable approuvé par le fabricant.
- IMPORTANT :** Ce nettoyant doit être utilisé sur les pièces en acier inoxydable uniquement!
- Veiller à ce que le nettoyant et poli pour acier inoxydable n'entre pas en contact avec les pièces de plastique telles que garnitures ou joints de porte. En cas de contact accidentel, nettoyer la pièce de plastique avec une éponge et un détergent doux et de l'eau tiède. Sécher à fond avec un linge doux. Pour commander le nettoyant, voir la section "Accessoires".
5. Remplacer les parties amovibles.

6. Nettoyer régulièrement les serpentins du condenseur. Ils sont situés à l'arrière de la caisse. Il se peut que les serpentins aient besoin d'être nettoyés chaque mois. Ce nettoyage peut aider à économiser de l'énergie.
 - Employer un aspirateur avec un accessoire long pour nettoyer les serpentins du condenseur lorsqu'ils sont sales ou poussiéreux.
7. Brancher le réfrigérateur ou reconnecter la source de courant électrique.

Changement de l'ampoule d'éclairage

REMARQUE : Toutes les ampoules ne conviennent pas à votre réfrigérateur. S'assurer de faire le remplacement par une ampoule de grosseur, de forme et de puissance semblables.

1. Débrancher le réfrigérateur ou déconnecter la source de courant électrique.
2. Enlever le protège-ampoules en appuyant sur les côtés et en le faisant glisser vers l'arrière du réfrigérateur.



3. Remplacer l'ampoule par une ampoule pour appareils ménagers de même puissance.
4. Appuyer sur les côtés du protège-ampoules et le glisser en place.
5. Brancher le réfrigérateur ou reconnecter la source de courant électrique.

Précautions à prendre pour les vacances et avant un déménagement

Vacances

Si vous laissez votre réfrigérateur allumé pendant votre absence, consommer tous les denrées périssables et congeler les autres aliments avant de partir.

Si vous choisissez d'arrêter le réfrigérateur avant de partir, suivre ces étapes.

1. Enlever tous les aliments du réfrigérateur.
2. Tourner la commande du réfrigérateur sur la position d'arrêt. Voir "Réglage de température".
3. Débrancher le réfrigérateur.
4. Nettoyer le réfrigérateur. Voir "Nettoyage".
5. À l'aide d'un ruban adhésif, placer un bloc de caoutchouc ou de bois dans la partie supérieure de la porte de façon à ce qu'elle soit suffisamment ouverte pour permettre l'entrée de l'air à l'intérieur, afin d'éviter l'accumulation d'odeur ou de moisissure.

Déménagement

Lorsque vous déménagez et déplacez votre réfrigérateur dans une nouvelle habitation, suivre ces étapes pour préparer le déménagement.

1. Enlever tous les aliments du réfrigérateur.
2. Tourner la commande du réfrigérateur sur la position d'arrêt. Voir "Réglage de température".
3. Débrancher le réfrigérateur.
4. Bien nettoyer, essuyer et sécher.
5. Retirer toutes les pièces amovibles, bien les envelopper et les attacher ensemble avec du ruban adhésif pour qu'elles ne bougent ni ne s'entrechoquent durant le déménagement.

6. Fermer les portes à l'aide de ruban adhésif et fixer le cordon d'alimentation à la caisse du réfrigérateur.

Lorsque vous arriverez à votre nouvelle habitation, remettre tout en place et consulter la section "Instructions d'installation" pour les instructions de préparation.

Préparation pour l'hiver

Le réfrigérateur est équipé d'un élément chauffant lui permettant de continuer à fonctionner normalement à des températures pouvant descendre jusqu'à 15°F (-9°C). Si la température descend au-dessous de 15°F (-9°C), enlever tous les articles du réfrigérateur pour les empêcher de geler.

DÉPANNAGE

Essayer les solutions suggérées ici d'abord afin d'éviter le coût d'une visite de service non nécessaire.

Votre réfrigérateur ne fonctionne pas

- **Est-ce que le cordon d'alimentation est débranché?** Brancher sur une prise reliée à la terre (à trois alvéoles).
- **Un fusible est-il grillé ou un disjoncteur s'est-il ouvert?** Remplacer le fusible ou remettre le disjoncteur en fonction.
- **La commande du réfrigérateur est-elle réglée à la position OFF (arrêt)?** Voir "Réglage de température".

Les lumières ne fonctionnent pas

- **Est-ce que le cordon d'alimentation est débranché?** Brancher sur une prise reliée à la terre (à trois alvéoles).
- **Une ampoule est-elle desserrée dans la douille?** Tourner la commande du réfrigérateur sur la position d'arrêt. Déconnecter le réfrigérateur de la source de courant électrique. Enlever délicatement l'ampoule et la réinsérer. Reconnecter ensuite le réfrigérateur à la source de courant électrique et régler de nouveau la commande.
- **Une ampoule est-elle grillée?** La remplacer par une ampoule pour appareils ménagers de la même taille, forme et puissance. Voir "Remplacement de la lampe".

Il y a de l'eau dans le bac de dégivrage

- **Le réfrigérateur est-il en train de se dégivrer?** L'eau s'évaporera. C'est normal que l'eau dégoutte dans le bac de dégivrage.
- **Y-a-t-il plus d'humidité que d'habitude?** Prévoir que l'eau dans le plat de dégivrage prenne plus de temps à s'évaporer. Ceci est normal quand il fait chaud ou humide.

Le moteur semble tourner trop

- **La température est-elle extérieur plus chaud que la normale ?** Prévoir que le moteur fonctionne plus longtemps dans des conditions de chaleur. Aux températures extérieures normales, prévoir que le moteur fonctionne à peu près 40 % à 80 % du temps. Dans des conditions plus chaudes, prévoir un fonctionnement encore plus fréquent.
- **Vient-on d'ajouter une grande quantité d'aliments au réfrigérateur?** Ajouter une grande quantité d'aliments fait réchauffer le réfrigérateur. Il est normal que le moteur fonctionne plus longtemps pour refroidir le réfrigérateur.

- **La porte est-elle ouverte fréquemment?** Prévoir que le moteur fonctionne plus longtemps dans ce cas. Afin de conserver l'énergie, essayer de sortir tout ce dont vous avez besoin du réfrigérateur à la fois, garder les aliments organisés de sorte qu'ils sont faciles à trouver et fermer la porte dès que les aliments sont retirés.
- **Le réglage est-il correct pour les conditions existantes?** Voir "Réglage de température".
- **La porte est-elle bien fermée?** Bien fermer les portes. Si elles ne ferment pas complètement, voir "Les portes ne ferment pas complètement" plus loin dans cette section.
- **Les serpentins du condenseur sont-ils sales?** Cette situation empêche le transfert de l'air et fait travailler davantage le moteur. Nettoyer les serpentins du condenseur. Voir "Nettoyage".

La température est trop élevée

- **La porte est-elle ouverte fréquemment?** Prévoir que le réfrigérateur deviendra tiède dans ce cas. Pour garder le réfrigérateur froid, essayer de sortir tout ce dont vous avez besoin du réfrigérateur à la fois, garder les aliments bien rangés de sorte qu'il soit facile de les trouver et fermer la porte dès que les aliments sont retirés.
- **Vient-on d'ajouter une grande quantité d'aliments au réfrigérateur?** Ajouter une grande quantité d'aliments fait réchauffer le réfrigérateur. Plusieurs heures peuvent être nécessaires pour que le réfrigérateur revienne à la température normale.
- **Le réglage est-il correct pour les conditions existantes?** Voir "Réglage de température".

Il y a une accumulation d'humidité à l'intérieur

- **La porte est-elle ouverte fréquemment?** Pour éviter l'accumulation d'humidité, essayer de sortir tout ce dont vous avez besoin du réfrigérateur à la fois, garder les aliments bien rangés de sorte qu'il soit facile de les trouver et fermer la porte dès que les aliments sont retirés. Lorsque la porte est ouverte, l'humidité de l'air extérieur pénètre dans le réfrigérateur. Plus la porte est ouverte, plus rapidement l'humidité s'accumule, surtout lorsque la pièce est très humide.
- **La pièce est-elle humide?** Il est normal que de l'humidité s'accumule à l'intérieur du réfrigérateur lorsque l'air dans la pièce est humide.

- **Les aliments sont-ils bien emballés?** Vérifier que tous les aliments sont bien emballés. Essayer les contenants humides d'aliments avant de les placer dans le réfrigérateur.
- **Le réglage est-il correct pour les conditions existantes?** Voir "Réglage de température".

La porte est difficile à ouvrir

- **Le joint colle-t-il ou est-il sale?** Nettoyer le joint et la surface qu'il touche. Frotter une fine couche de paraffine sur le joint après le nettoyage.

La porte ne ferme pas complètement

- **Les aliments emballés empêchent-ils la porte de fermer?** Réorganiser les contenants de sorte qu'ils soient plus rapprochés et prennent moins d'espace.
- **Les étagères sont-elles bien en place?** Remettre les étagères en bonne position. Voir "Utilisation du réfrigérateur" pour plus de renseignements.
- **Le joint colle-t-il?** Nettoyer le joint et la surface qu'il touche. Frotter une fine couche de paraffine sur le joint après le nettoyage.

ASSISTANCE OU SERVICE

Avant de demander une assistance ou un service, veuillez vérifier la section "Dépannage". Cette vérification peut vous faire économiser le coût d'une visite de réparation. Si vous avez encore besoin d'aide, suivre les instructions ci-dessous.

Lors d'un appel, veuillez connaître la date d'achat et les numéros au complet de modèle et de série de votre appareil. Ces renseignements nous aideront à mieux répondre à votre demande.

Si vous avez besoin de pièces de rechange

Si vous avez besoin de commander des pièces de rechange, nous vous recommandons d'utiliser seulement des pièces de rechange d'origine. Les pièces de rechange d'origine conviendront et fonctionneront bien parce qu'elles sont fabriquées selon les mêmes spécifications précises utilisées pour construire chaque nouvel appareil KITCHENAID®.

Pour localiser des pièces de rechange d'origine dans votre région, téléphoner à notre Centre d'interaction avec la clientèle ou au centre de service désigné le plus proche.

Téléphoner sans frais au Centre d'interaction avec la clientèle de KitchenAid Canada au :

1-800-461-5681 Du lundi au vendredi - de 8 h 00 à 18 h 00 (HNE). Samedi - de 8 h 30 à 16 h 30 (HNE).

Nos consultants fournissent l'assistance pour :

- Caractéristiques et spécifications à notre gamme complète d'appareils électroménagers.
- Les références aux concessionnaires locaux.

Pour service au Canada

Composer le **1-800-807-6777**. Les techniciens de service désignés par KitchenAid Canada sont formés pour remplir la garantie des produits et fournir un service après la garantie partout au Canada.

Pour plus d'assistance

Si vous avez besoin de plus d'assistance, vous pouvez écrire à KitchenAid Canada en soumettant toute question ou tout problème à :

KitchenAid Canada
Customer Interaction Center
1901 Minnesota Court
Mississauga, Ontario L5N 3A7

Dans votre correspondance, veuillez indiquer un numéro de téléphone où on peut vous joindre dans la journée.

Accessoires

Pour commander des accessoires, composer le **1-800-442-9991** et demander le numéro de pièce approprié ci-dessous ou contacter votre marchand KitchenAid autorisé. Au Canada, composer le **1-800-807-6777**.

Nettoyant et poli pour acier inoxydable

Commander le n° de pièce 4396095

Remplacement Light Bulb

Commander le n° de pièce 8206651

Roulettes

Commander le n° de pièce 4396337

Revêtement en vinyle

Commander le n° de pièce 4396334

GARANTIE DU RÉFRIGÉRATEUR KITCHENAID®

GARANTIE COMPLÈTE DE UN AN SUR LE RÉFRIGÉRATEUR

Pour une période de un an à partir de la date d'achat, lorsque ce réfrigérateur (à l'exclusion du filtre à eau) est utilisé et entretenu conformément aux instructions fournies avec le produit, KitchenAid paiera pour les pièces de rechange spécifiées par l'usine les frais de main-d'oeuvre pour corriger les vices de matériaux ou de fabrication. Les travaux doivent être effectués par une compagnie de service désignée par KitchenAid.

Sur les modèles avec filtre à eau : garantie limitée de 30 jours du filtre à eau. Pour une période de 30 jours à partir de la date d'achat, lorsque ce filtre est utilisé et entretenu conformément aux instructions fournies avec le produit, KitchenAid paiera pour les pièces de rechange pour corriger les vices de matériaux ou de fabrication.

GARANTIE COMPLÈTE DE LA DEUXIÈME À LA CINQUIÈME ANNÉE INCLUSIVEMENT SUR LA GARNITURE DE LA CAVITÉ INTÉRIEURE ET SUR LES PIÈCES DU SYSTÈME DE RÉFRIGÉRATION SCÉLÉ TEL QU'INDIQUÉ

De la deuxième à la cinquième année inclusivement à partir de la date d'achat, lorsque ce réfrigérateur est utilisé et entretenu conformément aux instructions fournies avec le produit, KitchenAid paiera pour le remplacement et la réparation de la garniture de la cavité intérieure du réfrigérateur/congélateur (y compris les frais de réparation) si la cavité intérieure se fend par suite de vices de matériaux ou de fabrication. Les travaux doivent être effectués par une compagnie de service désignée par KitchenAid.

Aussi, de la deuxième à la cinquième année inclusivement à partir de la date d'achat, KitchenAid paiera pour les pièces de rechange spécifiées par l'usine et les frais de réparation pour corriger les vices de matériaux ou de fabrication dans le système de réfrigération scellé. Ces pièces sont : le compresseur, l'évaporateur, le condenseur, le dispositif de séchage et les tubes de raccord. Les travaux doivent être effectués par une compagnie de service désignée par KitchenAid.

GARANTIE LIMITÉE DE LA SIXIÈME À LA DIXIÈME ANNÉE INCLUSIVEMENT SUR LES PIÈCES ÉNUMÉRÉES DU SYSTÈME DE RÉFRIGÉRATION SCÉLÉ

De la sixième à la dixième année inclusivement à partir de la date d'achat, lorsque ce réfrigérateur est utilisé et entretenu conformément aux instructions fournies avec le produit, KitchenAid paiera pour les pièces de rechange spécifiées par l'usine pour corriger les vices de matériaux ou de fabrication dans le système de réfrigération scellé. Ces pièces sont : le compresseur, l'évaporateur, le condenseur, le dispositif de séchage et les tubes de raccord.

KitchenAid ne paiera pas pour :

1. Les visites de service pour rectifier l'installation du réfrigérateur, montrer à l'utilisateur comment utiliser le réfrigérateur ou remplacer des fusibles, rectifier le câblage électrique ou la plomberie du domicile, remplacer des ampoules électriques, ou les filtres à eau de rechange sauf ce qui est indiqué ci-dessus.
2. Les réparations lorsque le réfrigérateur est utilisé à des fins autres qu'un usage unifamilial normal.
3. La prise en charge et la livraison du réfrigérateur. Le réfrigérateur est conçu pour être réparé à domicile.
4. Les dommages causés par : accident, modification, mésusage, abus, incendie, inondation, mauvaise installation, actes de Dieu, ou l'utilisation de produits non approuvés par KitchenAid ou KitchenAid Canada.
5. Toute perte d'aliments attribuable à une malfonction du produit.
6. Les réparations de pièces ou systèmes attribuables à des modifications non autorisées de l'appareil ménager.
7. Les pièces de rechange ou les frais de réparation des appareils utilisés à l'extérieur du Canada ou des États-Unis.
8. Au Canada, les frais de déplacement ou de transport pour les clients qui habitent dans des régions éloignées.
9. Les frais de main-d'oeuvre durant les périodes des garanties limitées.

KITCHENAID ET KITCHENAID CANADA DÉCLINENT TOUTE RESPONSABILITÉ AU TITRE DE DOMMAGES SECONDAIRES OU INDIRECTS.

Certains États ou certaines provinces peuvent ne pas admettre l'exclusion ou la limitation des dommages secondaires ou indirects; par conséquent, l'exclusion ou la limitation mentionnée ci-dessus peut ne pas s'appliquer dans votre cas. Cette garantie vous confère des droits juridiques spécifiques; vous pouvez également jouir d'autres droits, variables d'un État à un autre ou d'une province à une autre.

À l'extérieur du Canada et des 50 États des États-Unis, cette garantie ne s'applique pas. Contacter votre marchand KitchenAid autorisé pour déterminer si une autre garantie s'applique.

Si vous avez besoin de service, consulter d'abord la section "Dépannage" dans ce manuel. Après avoir vérifié la section "Dépannage", une aide additionnelle peut être trouvée en vérifiant la section "Assistance ou Service" ou en téléphonant au Centre d'interaction avec la clientèle KitchenAid au **1-800-422-1230** (sans frais), de n'importe où aux É.-U. Au Canada, contacter votre compagnie de service autorisée par KitchenAid Canada ou téléphoner au **1-800-807-6777**. 2/02

Conserver ce manuel et le reçu de vente ensemble pour référence ultérieure. Il faut fournir une preuve d'achat ou de date d'installation pour le service au titre de la garantie.

Veillez noter les renseignements suivants à propos du réfrigérateur pour mieux obtenir assistance ou service en cas de besoin. Vous devriez connaître les numéros de modèle et de série complets. Vous pouvez trouver cette information sur la plaque signalétique sur la paroi interne du compartiment de réfrigération.

Nom du marchand _____

Adresse _____

Numéro de téléphone _____

Numéro de modèle _____

Numéro de série _____

Date d'achat _____