

GE Monogram<sup>®</sup>

Installation

Instructions

24" Outdoor  
Cooking Center

*Model*  
ZGG24L

Before you begin— Read these instructions completely and carefully.

**IMPORTANT:** Save these instructions for local inspector's use.

**IMPORTANT: OBSERVE ALL GOVERNING CODES AND ORDINANCES.**

**NOTE TO INSTALLER:** Be sure to leave these instructions with the Consumer.

**NOTE TO CONSUMER:** Keep these instructions with your Use and Care Book for future reference.

If you received a damaged cooking center, you should contact your dealer.

Installation of this cooking center requires basic mechanical skills. Proper installation is the responsibility of the installer.

**For Monogram local service in your area,  
1-800-444-1845.**

**For Monogram service in Canada, 1-888-880-3030.**

**For Monogram Parts and Accessories, call  
1-800-626-2002.**

**In the Commonwealth of Massachusetts:**

- This product must be installed by a licensed plumber or gas fitter.
- When using ball type gas shut off valves, they shall be T-handle type.
- A flexible gas connector, when used, must not exceed 3 feet.

**FOR YOUR SAFETY:**

Do not use cooking center in a space where gasoline or other liquids having flammable vapors are stored or used.

**IF YOU SMELL GAS:**

- Shut off gas to appliance.
- Extinguish any open flame.
- Open lid.
- If odor continues, immediately call your gas supplier.

**CAUTION:**

- For outdoor use only. Use this cooking center only in the manner intended by the manufacturer.
- This outdoor cooking gas appliance is not intended to be installed in or on recreational vehicles and/or boats.
- Do not use the grill in an explosive atmosphere. Keep the grill away from areas where gasoline or other flammable liquids and vapors are stored or being used.
- Observe proper clearances to combustible materials at all times.
- Do not use a rusty or damaged LP tank.
- Never substitute gases (natural for LP or LP for natural).
- This grill is factory set for liquid propane gas. A natural gas conversion kit must be installed before using natural gas.
- When storing the grill indoors, disconnect the LP tank. Store the tank outdoors in a well ventilated area.
- Do not store additional LP tanks in or near the gas grill.
- Follow the guidelines on the LP tank for proper storage, transport and handling.
- Tested in accordance with ANSI Z21.58 latest edition standard for outdoor cooking gas appliances. This grill

is for outdoor use only. Check local building codes for the proper method of installation in the absence of local codes, this unit should be installed in accordance with the National Fuel Gas Code No. Z223 latest edition and the National Electrical Code ANSI/NFPA No. 70-1990.

**CALIFORNIA PROPOSITION 65 - WARNING**

The burning of gas cooking fuel generates some by products that are on the list of substances which are known by the State of California to cause cancer or reproductive harm. California law requires businesses to warn customers of potential exposure to such substances. To minimize exposure to these substances, always operate this unit according to the use and care manual, ensuring you provide good ventilation when cooking with gas.

**INSECT WARNING!**

Spiders and insects can nest in the burners of this and any other grill, and cause the gas to flow from the front of the burner. This is a very dangerous condition which can cause a fire to occur behind the valve panel, thereby damaging the grill and making it unsafe to operate. Inspect the grill twice a year or immediately if any symptoms appear.

*Contents*

**Design Information**

Model .....	3
Product Dimensions & Clearances .....	3
Accessories .....	3
Advance Planning .....	3
Choosing the Location .....	4
Tools & Materials Required .....	4
Step 1: Remove the Packaging .....	4
Step 2: Provide Support, Installation on a Cart .....	4

**Installation**

Step 2: Provide Support, Built-In Installations .....	5
Step 3: Provide Gas & Electrical Supply .....	6
Step 4: Test for Leaks .....	7
Step 5: Lighting the Grill .....	7
Step 6: Adjusting the Burners .....	8
Finalize Installation .....	9
Install Rotisserie .....	9
ZXADYSS, ZXSDBSS, Optional Access Doors .....	9
ZX24NGB, Natural Gas Conversion Kit .....	10

## Design Information

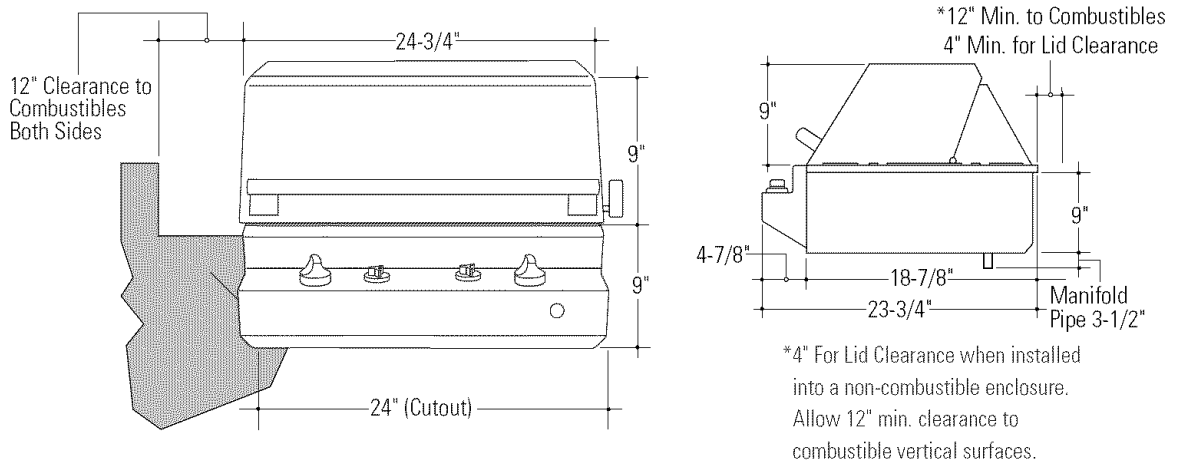
24" Outdoor Cooking Center

### Model

ZGG24L20 SS

The Monogram 24" Outdoor Cooking Center is factory set for LP gas and can be converted to natural gas. Order ZX24NGB Natural gas conversion kit when natural gas is available.

### Product Dimensions & Clearances



### Accessories

This grill may be installed on a portable grill cart or built into an enclosure. Enclosures can be constructed of non-combustible (masonry) material or of combustible material such as wood. Insulated jackets are required for installation into combustible enclosures.

- ZX24CTBSS, grill cart
- ZX24JBSS, Insulated jacket for a combustible enclosure.

- ZX24TKBSS is available to conceal the gap between the cooking center and the enclosure.
- ZX24CVC, tough vinyl on the outside, felt lined inside with elastic to hold the cover in place. Fits grill installed on a cart or when built-in.
- ZXSDBSS - Stainless Steel Single Access Door
- ZXADYSS - Stainless Steel Double Access Doors – Optional accessories to cover the access opening under the grill in a built-in installation.
- ZXLPY, LP gas tank.

### Advance Planning

- This Monogram Outdoor Cooking Center is designed to be installed on a grill cart or into an enclosure.
- In a non-combustible (masonry) enclosure, the grill drops into the opening. A ledge on each side is required for support.
- An Insulated jacket is available to allow the grill to be installed in a combustible enclosure. The insulated jacket must be supported by a ledge on each side.
- If using a backsplash or rear wall, locate the electrical service for the rotisserie on the right side.
- Trim kit ZX24TKBSS is available to conceal the gap between cooking center and the back and sides of an enclosure.

#### Clearances

- Allow 4" at the rear for lid clearance.
- Allow at least 12" clearance at the back of the grill when exhaust is directed to a window or a surface that is difficult to clean.
- Allow at least 6" clearance on each side to any non-combustible material located above the cooking surface for counterspace. This 6" clearance will allow for placement and handling of the rotisserie motor and skewer.
- Allow at least 12" clearance on each side and 12" min. clearance at rear to combustible vertical materials.

## Design Information

24" Outdoor Cooking Center

### Choosing the Location

- This cooking center is designed for outdoor use only. Do not locate the grill in a building, garage or other enclosed area.
- Ensure that fresh air ventilation is adequate.
- Consider exposure to wind and proximity to traffic paths.
- The minimum clearances to combustibles must be maintained at all times.
- Do not install a grill below overhead unprotected combustible construction.
- The installation must conform to local codes or in the absence of local codes, with the national fuel gas code, ANSI Z223 latest edition.

### Tools & Materials Required

(Not supplied)

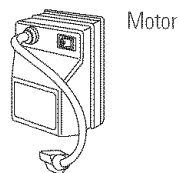
- Phillips head screwdriver
- Pipe wrench
- Level
- Flat blade screwdriver (3/32" blade)
- Pliers

**CAUTION** This Cooking Center is extremely heavy. 2 people are required for lifting and placing the product onto a cart or into an enclosure.

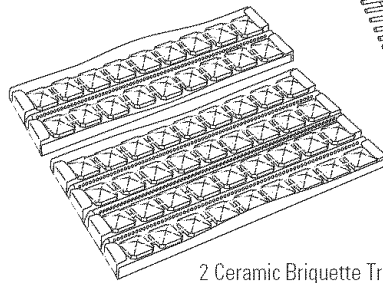
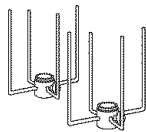
**PRUDENCE** Ce centre de cuisson est extrêmement lourd. Il faut deux personnes pour le soulever et le mettre sur un chariot ou dans une enceinte.

### Step 1 Remove the Packaging

- Open the box and remove packaging.
- Open the grill lid and remove hardware accessory carton. Check contents.

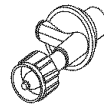


Spit Forks

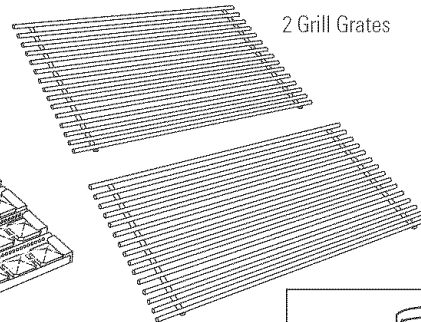


2 Ceramic Briquette Trays

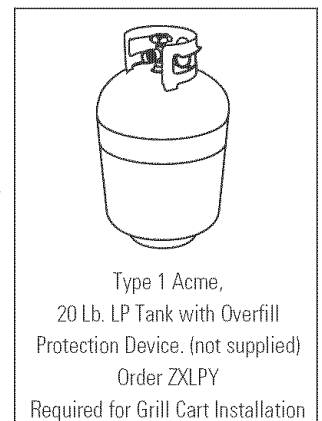
Rotisserie Rod and Handle



LP Regulator



2 Grill Grates



### Step 2 Provide Support

### Installation On a Cart

The Outdoor Cooking Center can be installed on a ZX24CTBSS cart which is designed specifically for this model. Follow the installation instructions provided with the cart to install. Proceed to Gas supply, Step 3, to complete the installation.

- Allow at least 12" clearance at the back of the grill when exhaust is directed to a window or a surface that is difficult to clean.

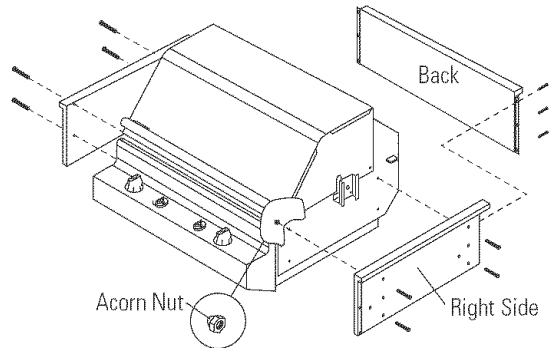
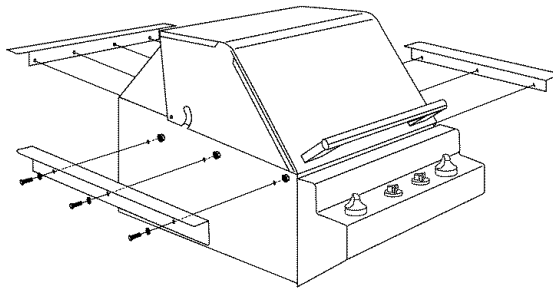
# Installation

24" Outdoor Cooking Center

## Built-In Installations

- This grill may be installed into a combustible or non-combustible enclosure.
- Combustible enclosures require the use of an insulated jacket.
- Allow 4" at the rear for lid clearance.
- Allow at least 6" clearance on each side to any non-combustible material located above the cooking surface for counterspace. The 6" clearance allows for placing and handling the rotisserie motor and skewer.
- Allow at least 12" clearance on each side and rear to combustible vertical materials.

## Built-In Installations



### ZX24TKBSS Trim Kit

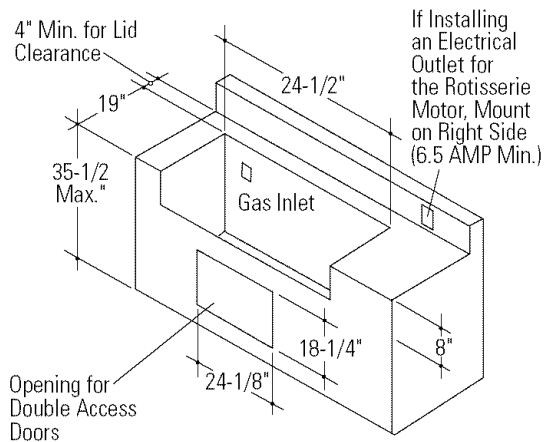
This kit is available for non-combustible enclosures. The trim will conceal the gap at the rear and both sides of the opening.

- Secure trim to the sides and back with screws provided.
- Place the grill into the enclosure.

### ZX24JBSS Insulated Jacket

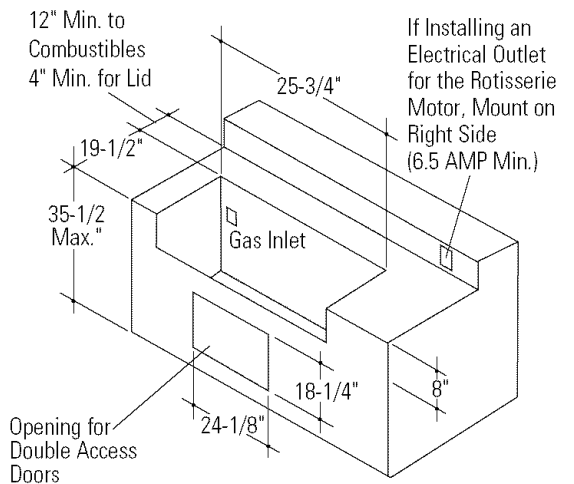
The insulated jacket is required for combustible enclosures.

- Install left and right side pieces with bolts provided.
- Secure bolts inside the grill with acorn nuts.
- Install back panel to side panels. Place the grill into the enclosure.



### Installation in a non-combustible enclosure.

- In a non-combustible (masonry) enclosure, the grill drops into the opening. A ledge on each side is required for support.



### Installation in a combustible enclosure, ZX24JBSS insulated jacket is required

- Combustible enclosures require ZX24JBSS insulated jacket. The insulated jacket must be supported by a ledge on each side.
- Construct the enclosure as shown. Install the insulated jacket onto the grill. Place the cooking center into the opening. No installation hardware is required.

## Step 3 Provide Gas & Electrical Supply

*NOTE: Skip this step if you wish to connect to natural gas supply. Order ZX24NGB kit. Refer to Natural Gas Conversion Instructions, page 10.*

### **! WARNING**

#### PRODUCT STORAGE

When storing LP models indoors, disconnect the LP tank. Store the tank outdoors in a well ventilated area.

Do not store spare LP tanks in or near the Outdoor Cooking Center enclosure.

### **! ATTENTION**

#### RANGEMENT DU PRODUIT

Lors du rangement des modèles à gaz à l'intérieur, il faut débrancher la bouteille de gaz. Il faut remiser la bouteille de gaz à l'extérieur, dans un endroit bien ventilé.

Il ne faut pas remiser les bouteilles de gaz à proximité de l'enceinte du centre de cuisson en plein air.

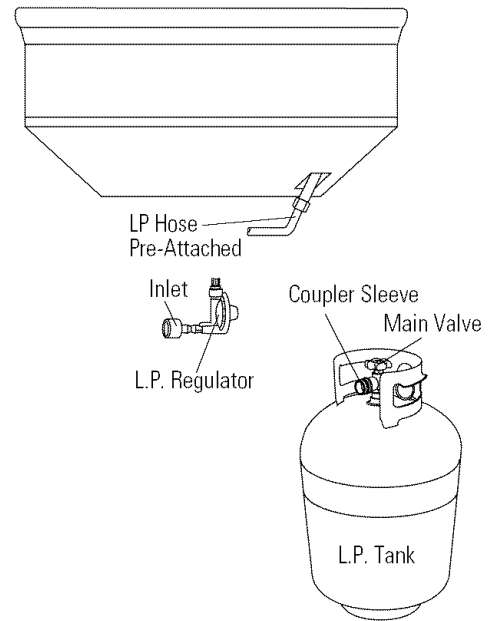
- Connect the regulator to the quick disconnect hose assembly.
- Check to be sure the main valve on the LP tank is completely closed.

#### To connect the tank:

- Insert the coupler sleeve over the tank inlet, turn clockwise to tighten.

#### To disconnect the tank:

- Turn off the main tank valve.
- Grasp the coupler sleeve and turn counter-clockwise. Remove the inlet from the opening.



LP operating pressure is 10" W.C.

**IMPORTANT:** The LP tank must be a Type 1 Acme. Do not attempt to change or alter these supplied parts. Do not attempt to use the regulator/hose assembly with a standard 510 POL tank/valve assembly.

#### ELECTRICAL SUPPLY

The rotisserie requires 120V, 60Hz., and connected to an individual properly grounded branch circuit protected by a 15 amp circuit breaker or time delay fuse. The power cord on the rotisserie is equipped with a three-prong (grounding plug which mates with a standard three-prong grounding wall receptacle to minimize the possibility of shock hazard from this appliance. If the electrical service provided does not meet the above specifications, it is recommended that a licensed electrician install an approved outlet.

**DO NOT UNDER ANY CIRCUMSTANCES, CUT OR REMOVE THE THIRD (GROUND) PRONG FROM THE POWER CORD.**

- For built-in grill installations, locate the electrical outlet on the right hand side.

## Installation

24" Outdoor Cooking Center

### Step 4 Test for Leaks

**! WARNING** TEST FOR LEAKS

A complete gas tightness check must be performed at the installation site.

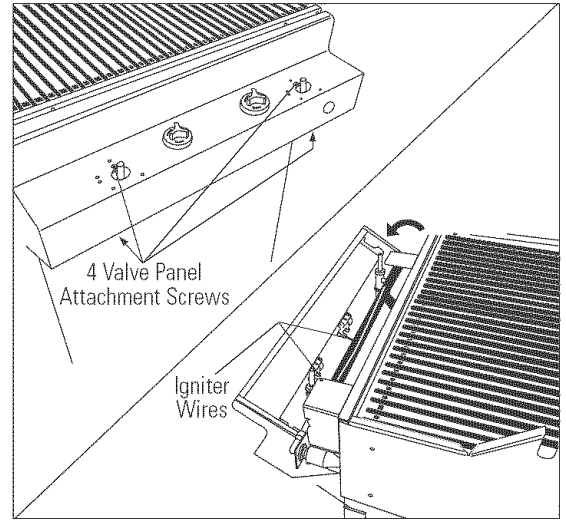
**! ATTENTION** VÉRIFICATION DES FUITES

Il faut vérifier que l'installation n'a aucune fuite de gaz.

- Do not use the grill until all connections have been leak tested.
- Repeat leak test after each LP tank change.
- Check to be sure the main valve on the LP tank or the shut-off valve is in the "OFF" position.
- Make a soap solution of one part liquid detergent and one part water.

The valve panel must be removed to check the valves and fittings.

- All control valves should be in the "OFF" position.
- Remove the knobs.
- Remove the 4 screws holding the valve panel to the grill (2 behind burner knobs and two below valve panel).
- Pull the panel outwards and unplug the wires from the back of the rotary igniters.



**TO TEST:**

- Apply the soap solution around the connections, valve and tubing.
- Turn the gas supply on.
- Check all connections from the supply line or LP tank up to and including the manifold pipe assembly.
- If a leak is detected, turn gas supply to off and tighten fittings. Turn the gas on and check again.

### Step 5 Lighting the Grill

**! WARNING** Do not attempt to light the grill if the odor of gas is present.

**! ATTENTION** Il ne faut pas essayer d'allumer le gril s'il y a une odeur de gaz.

**! CAUTION** Keep hands and face as far away from the grill as possible when lighting.

**! PRUDENCE** Pendant l'allumage, il faut maintenir les mains et le visage aussi loin que possible du gril.

- Open the lid.
- Turn all knobs to "OFF" position.
- Turn gas supply on at the LP tank or shut-off valve.

NOTE: When lighting the burner for the first time or after a LP tank change, allow up to 20 seconds to purge air from the lines.

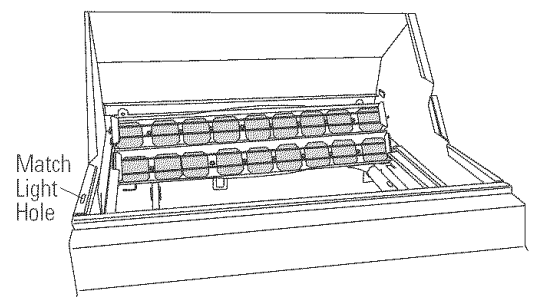
- Push and turn control knob to "LITE" position, immediately turn the rotary igniter knob next to the burner knob.

NOTE: The spark will produce a snapping sound. This is normal.

- If the burner does not light within 4 seconds, turn knobs to "OFF" and wait 5 minutes for the gas to dissipate before trying again.
- If the burner does not light after several attempts, the burner can be lit with a match.

**TO MATCH LIGHT:**

- Strike a match and hold over the match light hole at the top left side. See illustration.
- Push and turn the control knob to "LITE".



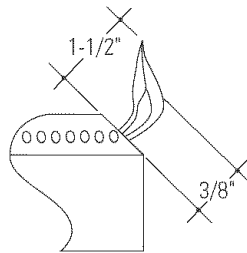
**WAIT 5 MINUTES BEFORE RELIGHTING A HOT GRILL.**

## Step 6 Adjusting the Burners

Adjustments should not be required, unless vibration during transit or variations in local gas supply make minor adjustments necessary.

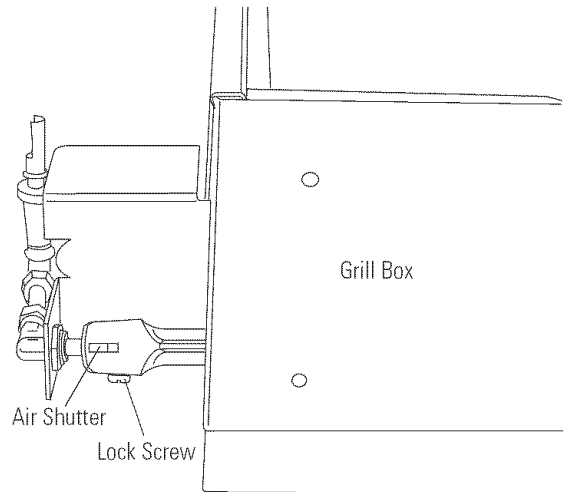
Adjustments must be made by a qualified technician at the time of installation. Extreme care should be used if adjustments are made after installation.

- Turn gas supply on.
- Push and turn the burner control knobs to the "LITE" position. Up to 20 seconds may be required to purge air from the lines.
- Flames should be blue and stable with no yellow tips, excessive noise or lifting from the burner. If any of these conditions exist turn control to off and check air shutter and burner ports for debris or spider webs.



### TO ADJUST:

- The valve panel cover must be removed to access the the air shutter. Follow the instructions in *Step 4, Test for Leaks.*



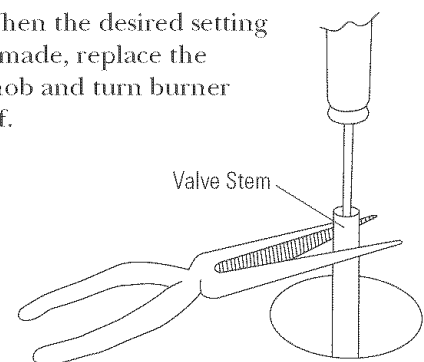
- Locate and loosen the lock screw on the face of the air shutter with a screwdriver.
- Turn burner to the "LITE" position.
- If the flame is yellow, indicating insufficient air, open the air shutter to allow more air to the burner.
- If the flame is noisy and tends to lift away from the burner, there is too much air. Turn the air shutter to reduce the opening.
- Once adjusted, turn the burner off and reverse steps to re-install the valve panel cover.

### Low setting Adjustment:

Minor adjustments may be required due to fluctuations in local gas pressure. Adjustments to increase or decrease gas flow may be necessary.

- Turn burner knob to "LITE" position.
- Turn the control knob to the lowest setting, all the way counter-clockwise.
- Remove the knob by pulling straight out.
- Insert a thin-blade flat screwdriver into the valve shaft and hold. (3/32" blade width recommended.)
- Grip the shaft with pliers and turn counter-clockwise to lower the flame, or clockwise to increase the flame.

- When the desired setting is made, replace the knob and turn burner off.



### **! WARNING**

Always check the low flame size for stability. A burner flame which is too small may go out or be extinguished easily. This can cause unburned gas to escape and cause a hazardous condition.

### **! ATTENTION**

Il faut toujours vérifier la stabilité de la flamme au ralenti. Une flamme trop petite peut s'éteindre facilement. Ceci cause l'émission de gaz non brûlé, ce qui est dangereux.

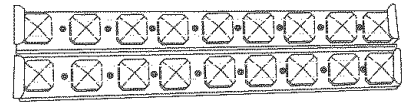


# Installation

## 24" Outdoor Cooking Center

### Finalize Installation

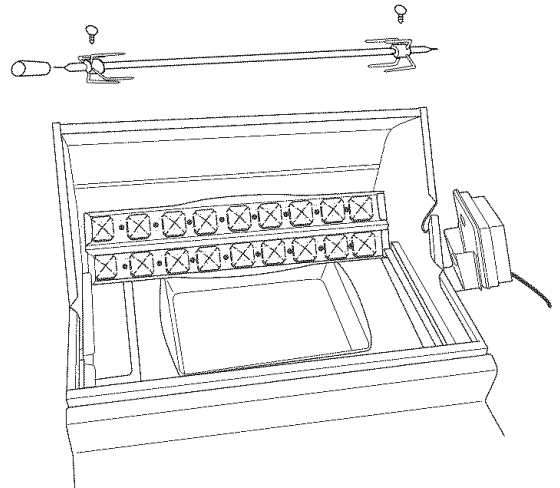
- Place the small ceramic briquette tray at the rear and larger tray towards the front.
- Place the grill grates over the opening.



**Note:** The ceramic briquettes may move during shipping or when repositioning for rotisserie use. For best cooking performance, slide briquettes on the tray so they are evenly spaced and do not block vent holes.

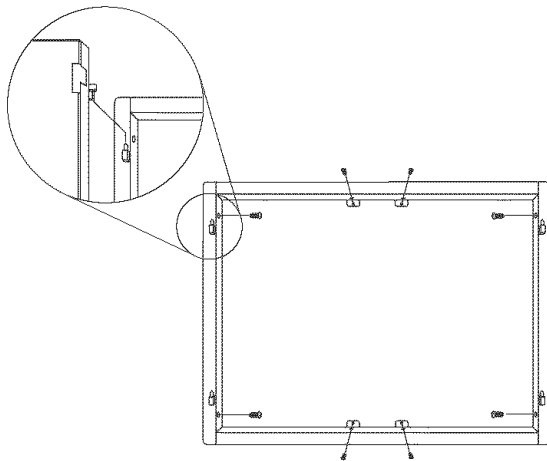
### Install Rotisserie

- Remove burner grates.
- Remove front (large) ceramic briquette tray.
- Place small ceramic briquette tray in the rear slots as shown.
- Place drip pan on the grill floor and against the briquette tray.
- Slide the motor down into the channel on the right side.
- To use, place pointed end of the skewer into the motor, and the threaded end resting on the left side support.
- Screw handle onto the threaded end of the skewer.



**Note:** Remove motor when not in use. Store motor in dry place.

### Install Optional Access Doors ZXADYSS and ZXSDBSS (For Built-In Installations Only)



#### ZXADYSS - Double Doors

The opening should be 24-1/8" wide and 18-1/4" high.

#### ZXSDBSS - Single Doors

The opening should be 22" wide and 20" high.

- Place the frame into the opening and secure with screws on all sides.
- Hang the doors on the hinges as shown.

# ZX24NGB

## Natural Gas Conversion Kit

### Parts supplied:

- Natural gas regulator
- Natural gas orifices
- Adapter 1/2" to 3/8" flare fitting
- Two, 1/2" NPT close nipple

### Materials Required: (not supplied)

- 12 ft. to 15 ft. max. flexible hose with 3/8" flare end (corrugated stainless steel preferred).
- Pipe wrench
- Pipe threading compound
- Manual gas shut-off valve
- Appropriate length of gas line to reach the permanent installation location with a 3/8" flare end.
- Flat blade screwdriver

**Note:** Optional ZX144HKY quick disconnect hose for natural gas is available to reach a 144" connection.

The grill and its individual shut-off valve must be disconnected from the gas supply during any pressure testing of the system at test pressures in excess of 1/2 PSIG.

The grill must be isolated from the gas supply system by closing its individual shut-off valve during any pressure testing of the system at test pressures equal to or less than 1/2 PSIG.

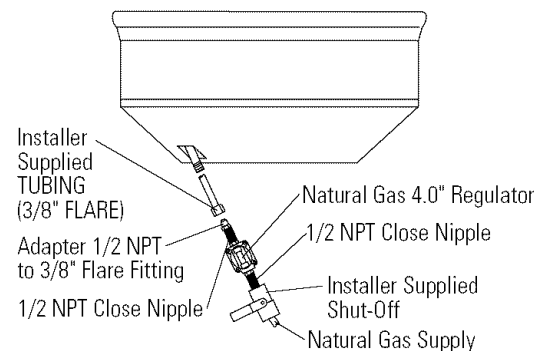
The installation of this grill must conform with local codes or, in the absence of local codes, with the National fuel gas code, ANSI Z223 latest edition. Installation in Canada must be in accordance with the Standard CAN 1-b149-1 and/or .2 (installation code for gas burning appliances and equipment) and local codes.

Operating pressure is 4" W.C.  
Supply pressure should be 5" to 14" W.C. If pressure is more than 14" W.C. a step down regulator is required.

## Step 1 Install Fittings & Regulator

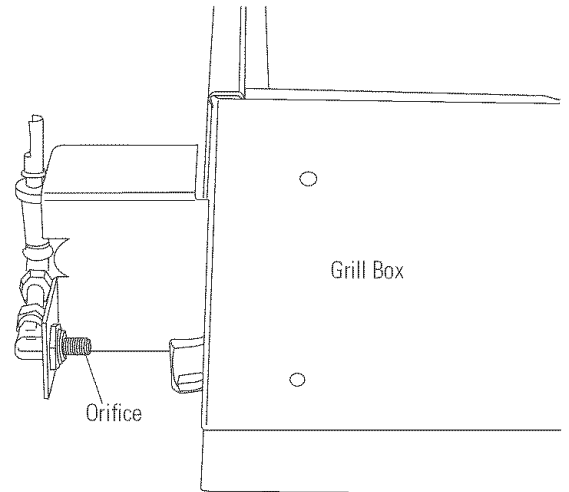
Check with local gas utility or with local codes for instructions on installing gas supply lines. Be sure to check on type and size of run and how deep to bury the line. If the gas line is too small, the grill will not function properly.

- Install a manual gas shut-off valve in an easily accessible location.
- Use threading compound on non-flare fittings only. Do not use threading compound on the male end of the 1/2 NPT to 3/8 flare adapter.
- Make connections as shown.
- Remove quick disconnect hose assembly from manifold pipe.
- Leave flare fitting in the manifold pipe (1/2" to 3/8" flare).
- Attach installer supplied gas line to end of flare fitting on the manifold.
- Install regulator to gas line.
- Install 1/2" NPT close nipple to supplier installed shut-off valve.
- Check to be sure the regulator arrow points in the direction of gas flow, towards the grill and away from the gas supply.



*Step 2  
Install  
Orifices*

- Open the lid.
- Remove racks and briquette trays.
- Remove tie-downs on burners.
- Remove burner knobs and 4 screws on the valve panel (2 screws behind knobs and 2 screws below valve panel).
- Lift the control panel up and tilt back away from the grill.
- Disconnect 2 ignitor wires.
- Remove control panel.
- Pull burners back and away from the orifices.
- Remove original orifices, one on each side.
- Apply threading compound to new orifices, install and tighten.
- Re-position burner inside the grill and with air shutter ends covering the orifices.
- Check air shutter, the shutter should be open approximately 5/16”.



*Step 3  
Test for  
Leaks*

**⚠ WARNING** TEST FOR LEAKS  
A complete gas tightness check must be performed at the installation site.

**⚠ ATTENTION** VÉRIFICATION DES FUITES  
Il faut vérifier que l'installation n'a aucune fuite de gaz.

- Do not use the grill until all connections have been leak tested.

- Check to be sure that the shut-off valve is in the “OFF” position.
  - In a spray bottle, make a soap solution of one part liquid detergent and one part water.
- TO TEST:**

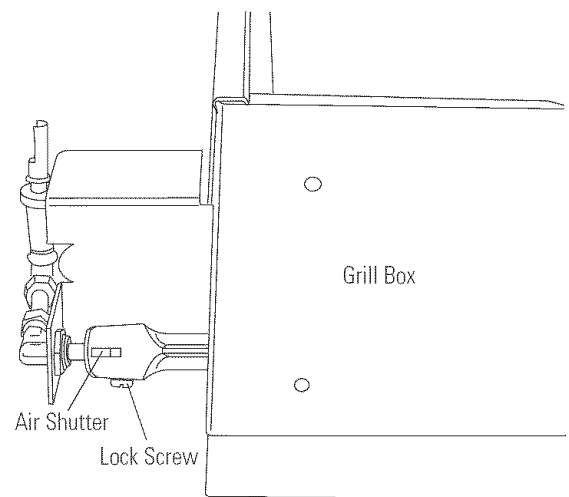
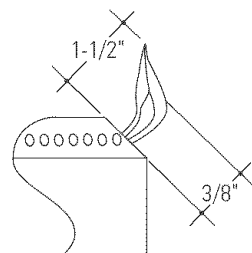
- Spray the soap solution around the connections, valve and tubing.
- Turn the gas supply on.
- Check all connections from the gas supply line up to and including the manifold.
- If a leak is detected, turn gas supply off and tighten fittings. Turn the gas on and check again.

*Step 4  
Adjust the  
Burners*

- Turn gas supply on.
- Flames should be blue and stable with some yellow tips and no excessive noise or lifting from the burner. If any of these conditions exist, check air shutter and burner ports for debris or spider webs.

**To Adjust:**

- If the flame is yellow, indicating insufficient air, open the air shutter to allow more air to the burner.
- If the flame is noisy and tends to lift away from the burner, there is too much air. Turn the air shutter to reduce the opening.



**Note:** While performing installations described in this book, safety glasses or goggles should be worn.

*For Monogram® local service in your area, call 1-800-444-1845.*

**Note:** Product improvement is a continuing endeavor at General Electric. Therefore, materials, appearance and specifications are subject to change without notice.



**Monogram.®**  
*We bring good things to life.*

GE Consumer Products  
General Electric Company  
Louisville, KY 40225  
© 2003 General Electric Company

Pub. No. 49-8966-2
Dwg. No. 164D3333P193

Printed in USA  
(N.D. 728) 3/03

10905-Rev. 2