

Installation Instructions

If you have questions, call 800-GE-CARES or visit our website at: www.monogram.com

30" Convection Built-In Ovens

Models:
ZET1038
ZET1058



Monogram.[®]

Installation Instructions



BEFORE YOU BEGIN

Read these instructions completely and carefully.

IMPORTANT – Save these instructions for local inspector's use.

IMPORTANT – Observe all governing codes and ordinances.

Note to Installer – Be sure to leave these instructions with the Consumer.

Note to Consumer – Keep these instructions for future reference.

Skill Level – Installation of these wall ovens requires basic mechanical and electrical skills.

Completion Time – 1 to 3 hours.

- Proper installation is the responsibility of the installer. Product failure due to improper installation is not covered under the Warranty.

If you received a damaged oven, you should immediately contact your dealer or builder.

For Monogram local service in your area, 1.800.444.1845.

For Monogram service in Canada, 1.888.880.3030.

For Monogram Parts and Accessories, call 1.800.626.2002.



WARNING

This appliance must be properly grounded.



AVERTISSEMENT

Cet appareil doit être correctement mis à la terre.



CAUTION:

Due to the weight and size of these wall ovens and to reduce the risk of personal injury or damage to the product, **TWO PEOPLE ARE REQUIRED FOR PROPER INSTALLATION.**



PRUDENCE

À cause du poids et des dimensions de ces fours muraux et pour réduire les risques de blessures et de dommages du produit, **L'INSTALLATION DOIT ÊTRE FAITE PAR DEUX PERSONNES.**

ATTENTION INSTALLER

All electric wall ovens must be hard wired (direct wired) into an approved junction box. A plug and receptacle is NOT permitted on these products.

FOR YOUR SAFETY

- The oven must be installed by a qualified installer or service technician.
- Be sure the oven is securely installed in a cabinet that is firmly attached to the house structure. Weight on the oven door could cause the oven to tip and result in injury. Never allow anyone to climb, sit, stand or hang on the oven door.
- Make sure the cabinets and wall coverings around the oven can withstand the temperatures (up to 200°F) generated by the oven.



WARNING

The electrical power supply line to the oven must be shut off while line connections are being made. Failure to do so could result in serious injury or death.



AVERTISSEMENT

Le circuit d'alimentation électrique du four doit être hors tension pendant le branchement. Il faut suivre cette directive pour éviter des blessures graves ou la mort.

Installation Instructions

CONTENTS

Product Information

Product Dimensions	3
Advance Planning	3

Cabinetry

Framed Cabinet, Single Oven	4
Framed Cabinet, Double Oven	4
Installation Below a Countertop	4
Installation Over Warming Drawer	5
Frameless Cabinets	5
Installation Below Advantium	6
Installation Between Advantium and a Warming Drawer	6

Installation Preparation

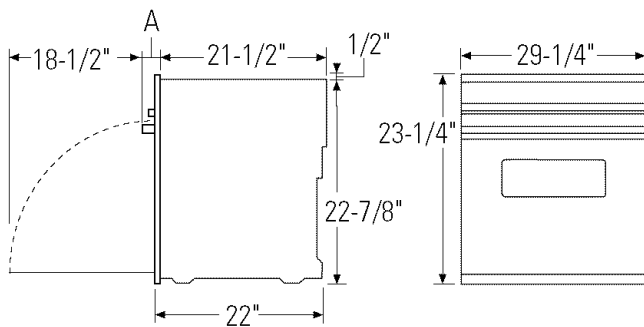
Electrical Requirements	7
Tools and Materials	7
Provide Oven Supports	8
Step 1, Remove Packaging	8

Installation Instructions

Step 2, Install Junction Box	9
Step 3, 208V Electrical Supply	10
Step 4, Remove Oven Door(s)	11
Step 5, Route Cable Through Cutout	11
Step 6, Secure oven to Cabinet	12
Step 7, Replace oven Door	12
Step 8, Connect Electrical	13
Installation Checklist	14

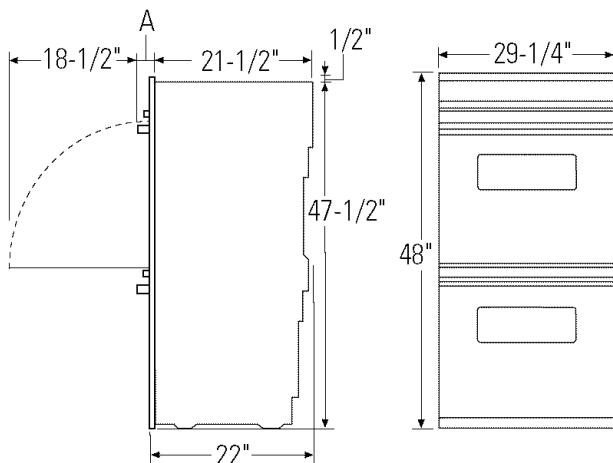
PRODUCT DIMENSIONS

Single Ovens



Models	Dim. A
ZET1038, ZET1058	2-7/8"
ZET1038P, ZET1058P	4-5/16"

Double Ovens



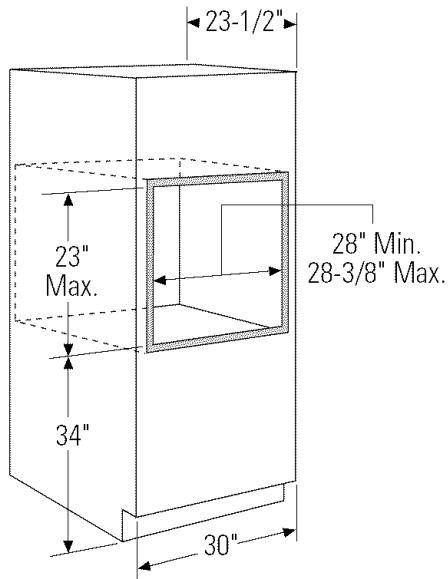
ADVANCE PLANNING

Both single and double built-in ovens are available in a European Style or Professional Style designs.

- These ovens are designed to fit in standard 30" wide wall oven cabinets. The front face of the oven will be nearly flush with cabinet doors. Professional style oven doors are slightly thicker.
- Single ovens can be installed below a countertop or below specific cooktop models listed on the label that is located on the top of the oven case.
- Ovens are not approved for side-by-side or stackable installations.

Cabinetry

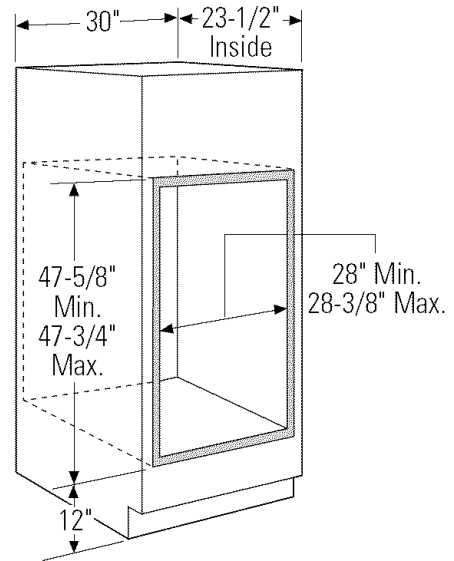
Framed Cabinet, Single oven



Order a 30" oven cabinet with the cutout sized to fit the single oven.

- These ovens require 3/4" overlap on both sides. Allow 1" Min. for top overlap and clearance to upper doors. Allow 1/4" clearance at the bottom.
- For single ovens, 34" installation height from the floor is recommended. 34" will bring the oven floor to countertop height when opened.

Framed Cabinet, Double Oven



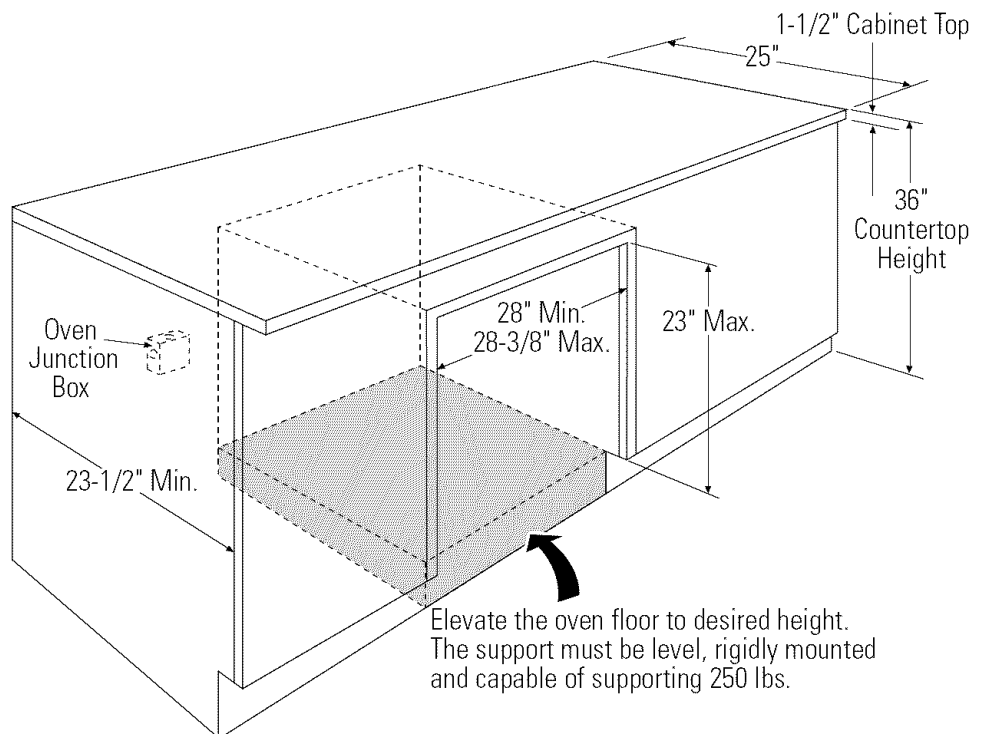
Order a 30" oven cabinet with the cutout sized to fit the double oven.

- These ovens require 3/4" overlap on both sides. Allow 1" Min. for top overlap and clearance to upper doors. Allow 1/4" clearance at the bottom.
- Installing a double oven 12" from the floor will place the base of the upper oven at countertop level. The oven may be installed more than 12" above the floor, depending on user preference.

Installation Below A Countertop

The single oven may be installed beneath a countertop.

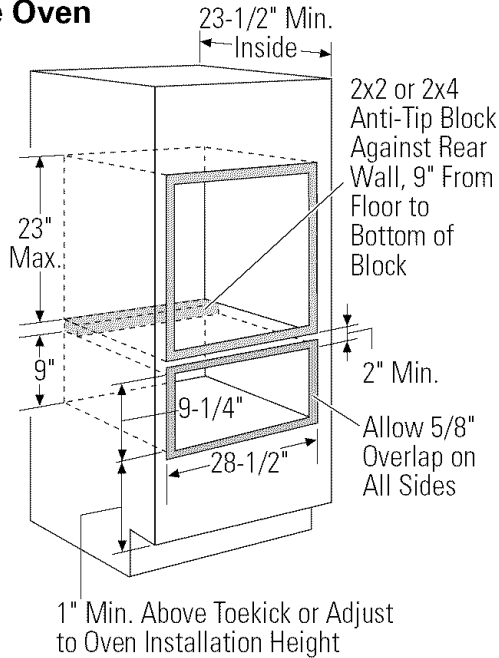
- The oven may be installed below specific cooktop models listed on the label on top of the oven.
- Refer to cooktop installation instructions for electrical requirements and clearances.



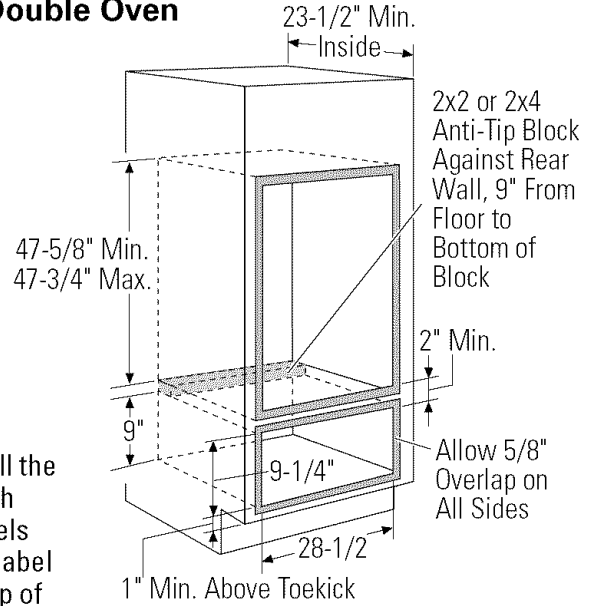
Cabinetry

Installation Over a Monogram Warming Drawer

Single Oven



Double Oven



NOTE: Install the oven only with specific models listed on the label located on top of the oven.

NOTE: Additional clearances between cutouts may be required. Check to be sure the oven supports above the Warming drawer location does not obstruct the required interior 23-1/2" depth and 9-1/4" height.

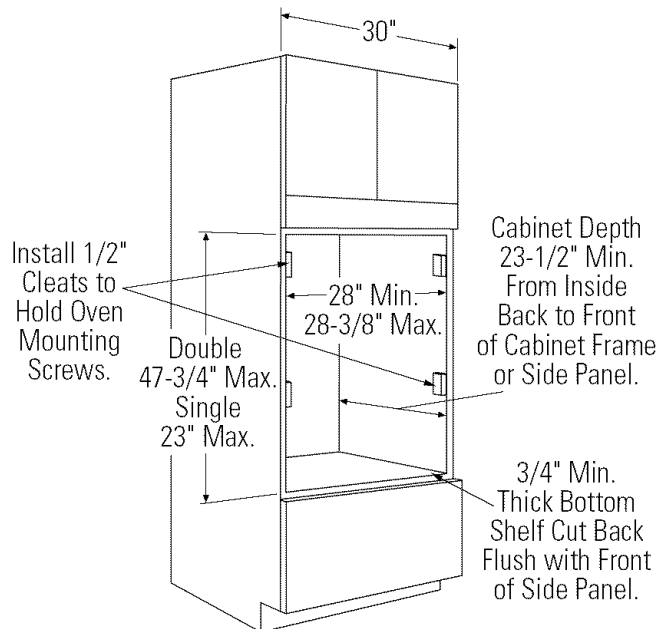
- These Monogram Ovens require 3/4" overlap on both sides. Allow 1" Min. for top overlap and clearance to upper doors.

- The Monogram Warming Drawers require 5/8" overlap on all sides.
- When installing a Monogram Warming Drawer below a single or double oven, a separate 120V, 60 Hz, properly grounded receptacle must be installed. Refer to installation instructions packed with the warming drawer for specific installation requirements.

Frameless Cabinets

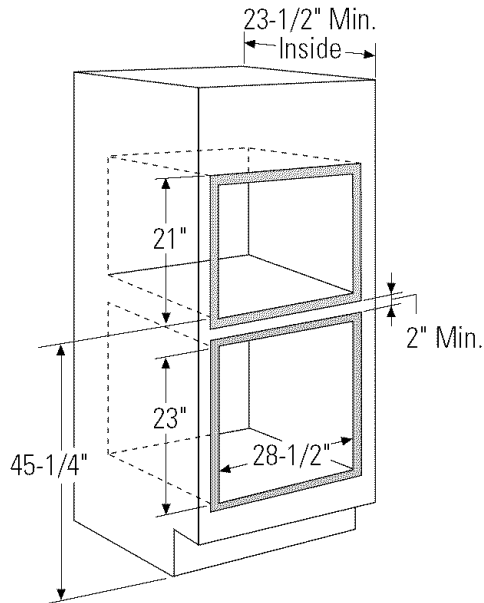
Whenever possible, order 30" frameless cabinet with the cutout sided to fit the oven. If using stock cabinets, additional finished filler pieces may be required to cover the opening.

- A stock frameless cabinet cutout width may be up to 28-3/4". If necessary, add 1/2" cleats to the sides, flush with the front edge of the side panels to accept mounting screws.



Cabinetry

Installation Below a Monogram Advantium Oven



Note: Install the oven only with specific models listed on the label located on top of the oven.

NOTE: The middle rail separating the two openings may need to be larger than the 2" minimum shown. Always refer to the individual installation instructions packed with each product for specific requirements.

Combined Advantium and Wall Oven

Installation:

When installed in combination with a Monogram single wall oven, use separate electrical junction boxes, OR,

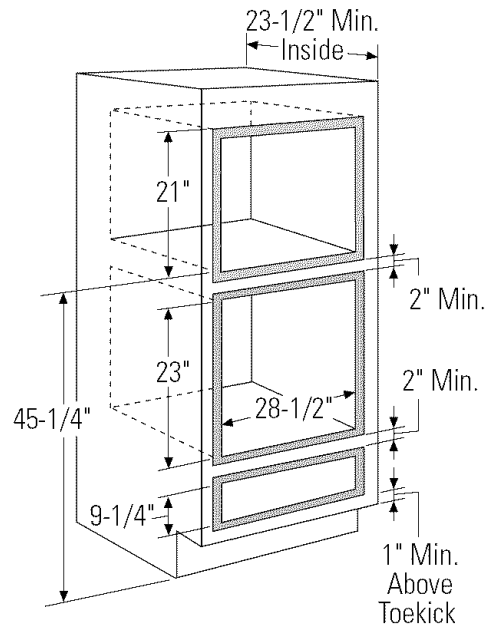
Install a single junction box connected to 50 amp supply circuit or properly rated supply circuit.

- Refer to the Advantium oven installation instructions for electrical requirements of that product.
- These connections must be made by a qualified electrician. All electrical connections must meet National Electrical code or prevailing local codes.

Warming Drawer Combined with Advantium and Single Oven:

Install a separate 120V, 60Hz, properly grounded receptacle. See installation Instructions packed with the Warming Drawer.

Installation Between a Monogram Advantium Oven and a Warming Drawer



NOTE: Additional clearances may be required. Check to be sure the oven supports above the Warming Drawer does not obstruct the required interior 23-1/2" depth and 9-1/4" height. The middle rail separating the openings may need to be larger than the 2" minimum shown. Always refer to the individual installation instructions packed with each product for specific requirements.

Installation Preparation

ELECTRICAL REQUIREMENTS

These Monogram built-in ovens require a separate properly grounded 3-wire 120/208 or 120/240 volt, 60 Hz power supply, protected by a time delay fuse or circuit breaker.

- Double ovens are rated at 6.5 KW at 240 volt and 6.5 KW at 208 volt.
- Single ovens are rated at 3.3 KW at 240 volt and 2.8 KW at 208 volt.
- Ovens are supplied with a flexible power cable which must be attached to a junction box. The cable length is 53" for both single and double convection ovens.
- DO NOT use an extension cord with these appliances.
- DO NOT shorten the flexible power cable.

We recommend that the electrical wiring and hookup of your oven be performed by a qualified electrician. After installation, have the electrician show you where your main oven disconnect is located.

Check with local utilities for electrical codes which apply in your area. Failure to wire the oven according to governing codes could result in a hazardous condition. If there are no local codes, the oven must be wired and fused in accordance with Nation Electrical Code, ANSI/NFPA No. 70-latest edition.

You can get a copy by writing:
National Fire Protection Association
Batterymarch Park
Quincy MA 02269

The National Electrical Code requires that new, but not existing construction utilize a four-conductor connection to an electric oven. When installing an electric oven in new construction, a mobile home, recreational vehicle or an area where local codes prohibit grounding through the neutral conductor, follow instructions in the section on NEW CONSTRUCTION AND FOUR-CONDUCTOR BRANCH CIRCUIT CONNECTION.

TOOLS AND MATERIALS YOU WILL NEED

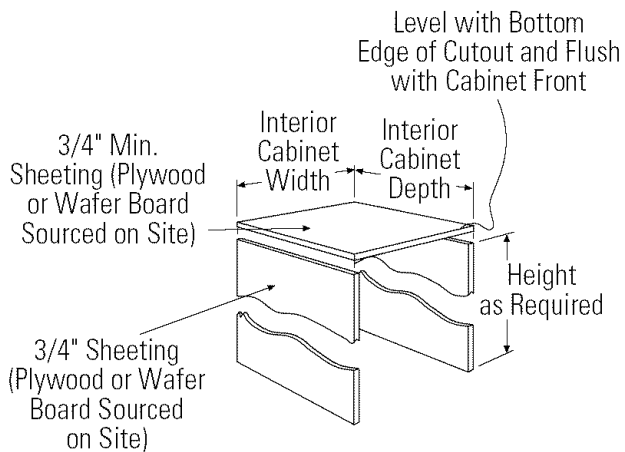
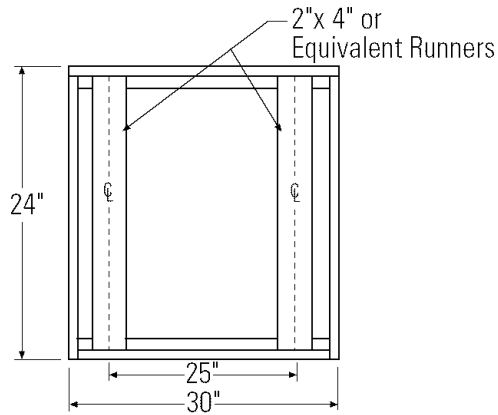
- 2 X 4 Lumber for runners or 3/4" thick shelving
- Saw
- Level
- Phillips screwdriver, wood screws and adhesive or other hardware for installing runners or shelf to support the oven.
- Wire cutters and wire stripper
- Junction box
- Electrical cable - 3-conductor or 4-conductor wire, as required by local codes.
- UL listed conduit connector

Installation Preparation

PROVIDE OVEN SUPPORTS

Ovens may be supported by either a solid bottom or by 2 x 4 runners.

- The support must be level and rigidly mounted, flush with the bottom edge of the cutout.

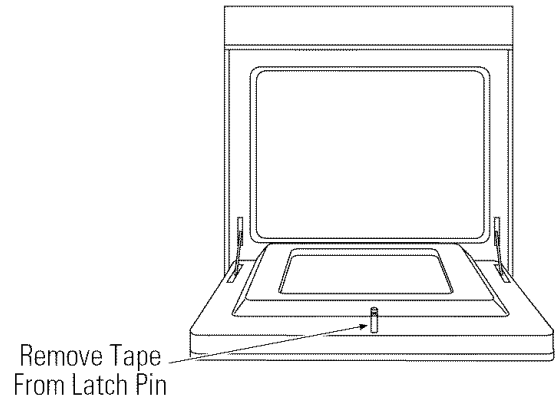


If a solid bottom is used:

- Cut two pieces of 3/4" thick sheeting to fit inside cabinet depth and available inside cabinet height. If there is no interference below the cutout, such as drawer runners, the sheeting can rest on the floor. Secure the sheeting strips or pieces to the cabinet walls with screws. Lay 2 x 4 or solid bottom on top of the sheeting and drive screws through the top and into the sheeting.
- The entire weight of the oven is supported by 2 x 4 runners or solid floor and must be capable of supporting 350 lbs. For double ovens and 250 lbs. For single ovens.

STEP 1 REMOVE PACKAGING

- Remove the carton, plastic coverings and styrofoam side/corner posts.
- To prevent damage to the floor, do not remove the styrofoam base until the oven is ready to be installed.
- Remove oven contents, shelves and packaging.
- Be sure to remove protective tape from the door latch pin.



Installation Preparation



WARNING

ELECTRICAL SHOCK HAZARD

- The electrical power to the oven branch circuit must be shut-off while line connections are being made.
- Use copper wiring only.

- Electrical ground is required on this appliance. The free end of the green wire (the ground wire) must be connected to a suitable ground. This wire must remain grounded to the oven.

- If a cold water pipe is interrupted by plastic, non-metallic gaskets, union connections or other insulating materials, DO NOT use for grounding.
- DO NOT ground to a gas pipe.
- DO NOT have a fuse in the NEUTRAL or GROUNDING circuit. A fuse in the NEUTRAL or GROUNDING circuit could result in an electrical shock.
- Check with a qualified electrician if you are in doubt as to whether the appliance is properly grounded. Failure to follow these instructions could result in serious injury or death.



ADVERTISSEMENT

RISQUE DE CHOC ÉLECTRIQUE

- Le circuit d'alimentation du four doit être hors tension pendant le branchement.
- Utiliser uniquement des fils en cuivre.

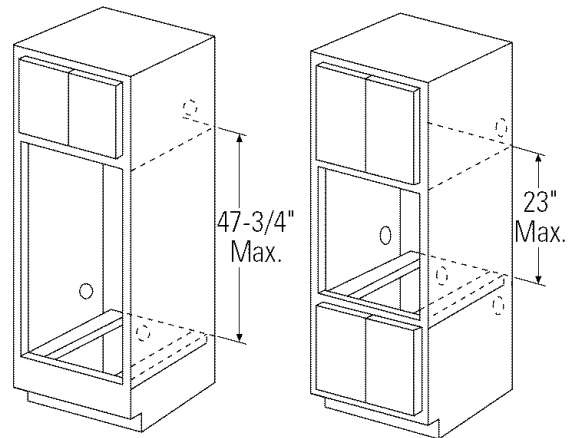
- Cet appareil doit être mis à la terre. L'extrémité du fil vert (le fil de mise à la terre) doit être branchée à une terre appropriée. Ce fil doit rester branché au four.

- NE PAS utiliser pour la mise à la terre un tuyau d'eau froide interrompu par du plastique, des joints ou des raccords non-métalliques, ou autre matériel isolant.
- NE PAS mettre à la terre sur un tuyau de gaz.
- NE PAS utiliser de fusible sur le circuit de NEUTRE ou de MISE À LA TERRE. Un fusible dans le circuit de NEUTRE ou de MISE À LA TERRE peut causer un choc électrique.
- En cas de doute, faire vérifier la mise à la terre de l'appareil par un électricien qualifié. Il faut suivre ces instructions pour éviter des blessures graves ou la mort.

STEP 2 INSTALL JUNCTION BOX

The conduit is located in the center at the top rear of the oven.

- Locate and install the junction box within reach of the power cable.
- Install the junction box in an adjacent left or right cabinet, below the cutout floor, or in the top cabinet above the cutout.



Installation Instructions

STEP 3 208V ELECTRICAL SUPPLY



WARNING

These ovens are pre-wired for connection to 240 volt, 60 HZ, supply. If connecting to a 208 volt supply, modifications must be made.



AVERTISSEMENT

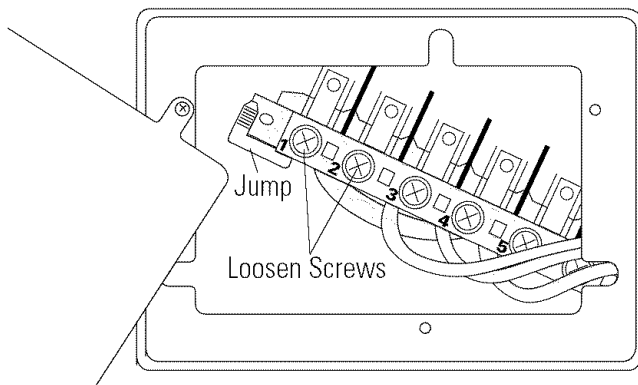
Ces fours sont câblés pour branchement sur une alimentation en 240 V, 60 Hz. Il faut faire des modifications en cas de branchement sur une alimentation en 208 V.

SKIP THIS STEP IF YOU ARE CONNECTING TO 240 VOLT POWER SUPPLY.

If connecting to a 208 volt, 60 HZ supply, a jumper must be used across two terminals.

- For double ovens, there are two jumpers, one for the upper oven, one for the lower oven.
- For single ovens there is one jumper.

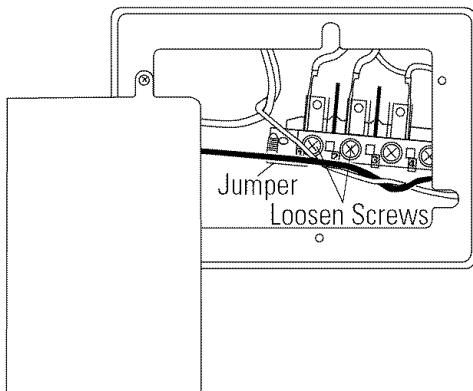
FOR SINGLE OVENS, UPPER OVEN ON DOUBLE OVENS



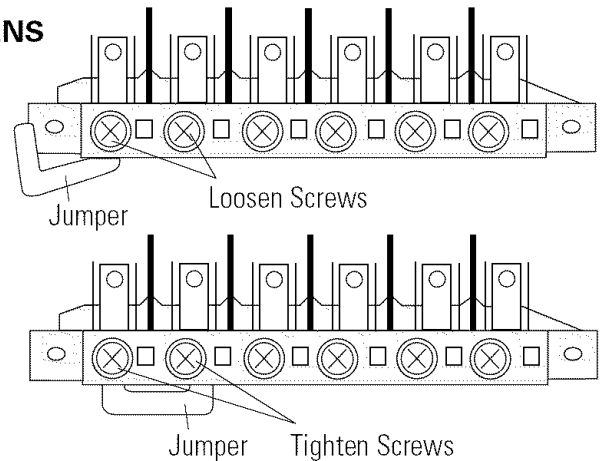
To connect to 208V circuit:

- Remove the access panel(s) located on the back of the ovens.
- Loosen the first and second screws in the terminal block as shown.

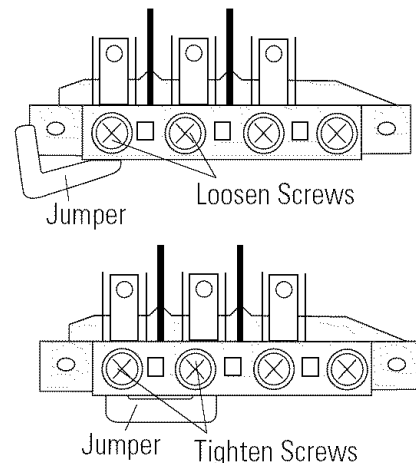
FOR LOWER OVEN ON DOUBLE OVENS



- Loosen the first and second screws in the terminal block as shown.



- Remove the jumper and place between the first and second screws, tighten the screws to hold the jumper.
- Replace the access panel(s).

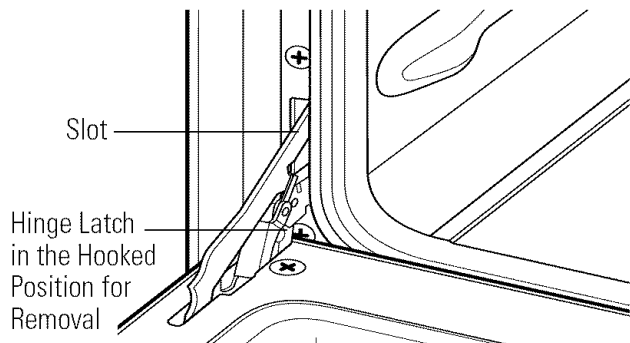


- Remove the jumper and place between the first and second screws, tighten the screws to hold the jumper.

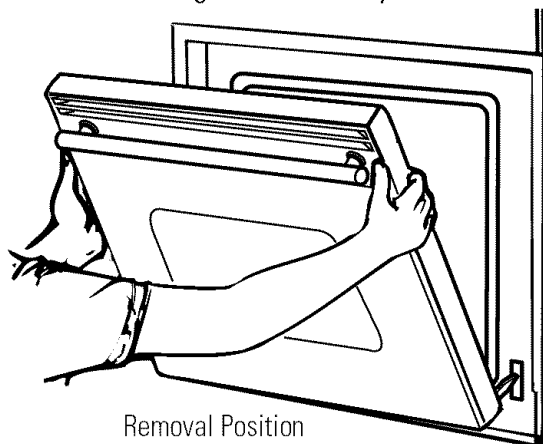
Installation Instructions

STEP 4 REMOVE OVEN DOOR(S)

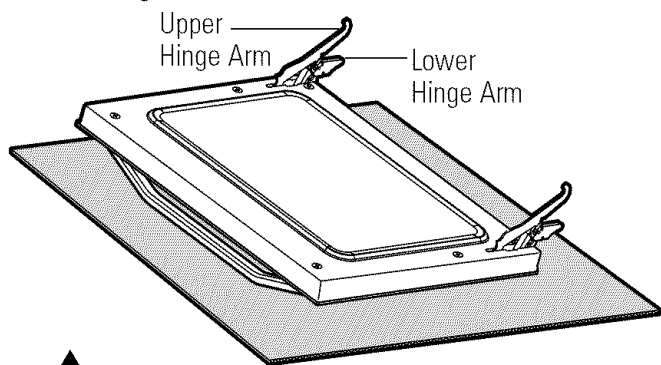
- Open the door fully.
- Pull the hinge latches up and hook them onto the hinge hooks on both sides.



- Close the door about half way, or to a 45° opening. Pull the door straight off and away from the oven.



- Lay the oven door on packaging to prevent scratching.



CAUTION

Do not lift the oven or oven door with handle.



PRUDENCE

Ne pas lever le four ou la porte du four par la poignée.

STEP 5 ROUTE CABLE THROUGH CUTOUT



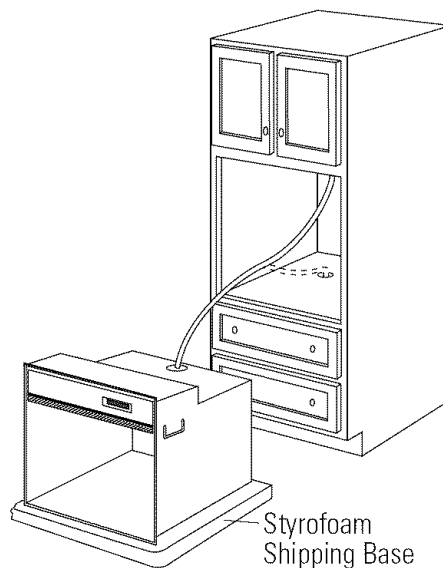
CAUTION

Oven(s) are very heavy. 2 people are required to lift oven(s) into the opening. Ovens have side handles. Grasp side handle with one hand and put other hand into the oven opening. Carefully, lift the oven to the cabinet opening.



PRUDENCE

Le four est lourd. Il faut deux personnes pour soulever et mettre le four dans l'ouverture. Le four est équipé de poignées latérales. Prendre la poignée latérale d'une main et mettre l'autre main dans l'ouverture du four. Soulever le four avec précaution et le mettre dans l'ouverture de l'armoire de cuisine.



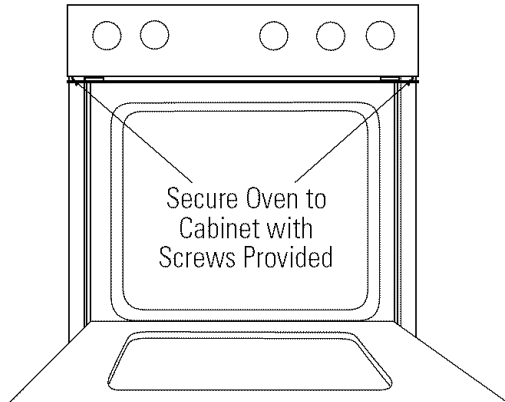
With oven in front of cabinet opening:

- Insert power cable into cabinet opening.
- Lift the oven into the opening while continuing to feed the cable in the direction of the installed junction box. Be sure the cable does not get pinched between the back of the oven and cabinet wall.

Installation Instructions

STEP 6 SECURE OVEN TO CABINET

- Slide oven into cabinet opening.
- Drill 3/32" pilot holes through the oven front frame and into the cabinet frame.



- Secure oven to cabinet with screws provided. Single ovens use 2 screws, one on each side. Double ovens use 4 screws, 2 on each side.



WARNING

Securely fasten oven to cabinet using the screws provided. Failure to do so could cause the oven to move or tip during use and result in personal injury.

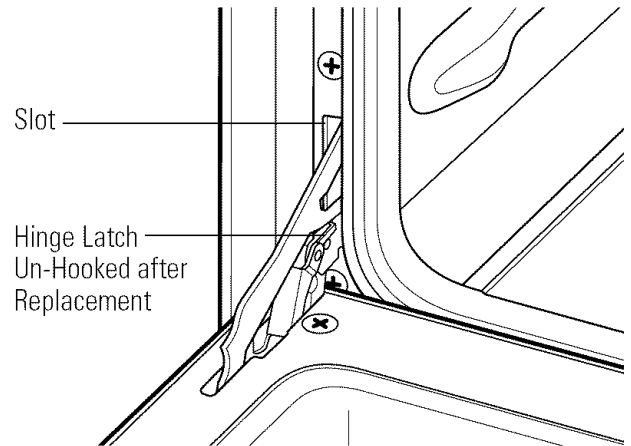


AVERTISSEMENT

Monter fermement le four sur l'armoire de cuisine avec les vis fournies. Si le four n'est pas monté fermement, il peut se déplacer ou basculer pendant l'usage et causer des blessures.

STEP 7 REPLACE OVEN DOOR

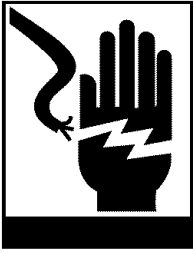
- Grasp door firmly on both sides.
- Insert and seat the upper and lower hinge arms into the oven slots.
- Align the groove on the lower hinge arm with the bottom of the oven slot.



- Open the door fully and push hinge latches down, as illustrated, on both sides to release the lower hinge arm.
- Close the door and open slowly to be sure it moves smoothly.

Installation Instructions

STEP 8 CONNECT ELECTRICAL



WARNING

ELECTRICAL SHOCK HAZARD

- Electrical ground is required on this appliance.
- DO NOT connect to the electrical supply until appliance is permanently grounded.

- Disconnect power to the junction box before making the electrical connection.
 - This appliance must be connected to a grounded, metallic, permanent wiring system or a grounding connector should be connected to the grounding terminal or wire lead on the appliance.
- Failure to do so could result in fire, personal injury or electrical shock.



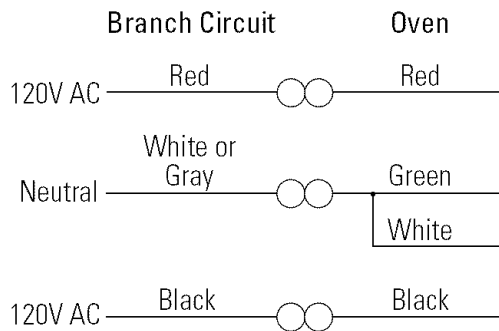
AVERTISSEMENT

RISQUE DE CHOC ÉLECTRIQUE

- Cet appareil doit être mis à la terre.
- NE PAS brancher l'alimentation électrique si l'appareil n'est pas mis à la terre de façon permanente.

- Débrancher l'alimentation au boîtier de raccordement avant de faire le branchement électrique.
 - Cet appareil doit être branché sur un circuit permanent métallique à la terre ou un connecteur de mise à la terre doit être branché à la borne de mise à la terre ou un fil de l'appareil.
- Il faut suivre ces instructions pour éviter des incendies, des blessures graves ou la mort.

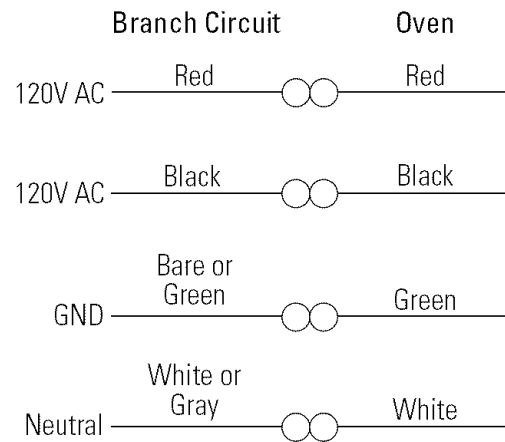
3-Conductor Branch Circuit



When connecting to a 3-conductor branch circuit:

- Connect oven red lead to branch circuit red lead.
- Connect oven black lead to branch circuit black lead.
- Connect oven bare copper conductor and white lead to branch circuit neutral lead (white or gray).

4-Conductor Branch Circuit



When connecting to a 4-conductor branch circuit:

- Connect oven red lead to branch circuit red lead.
- Connect oven black lead to branch circuit black lead.
- Break connection between oven white lead and oven bare copper conductor.
- Connect oven white lead to branch circuit neutral lead (white or gray).
- Connect oven bare copper conductor to branch circuit ground lead (green or bare copper).

NOTE: Use copper wire only.

Installation Instructions

INSTALLATION CHECKLIST

1. Turn all knobs to OFF or Normal.
2. Turn on power at the circuit breaker.
3. Set the clock for current time of day. Refer to the Owner's Manual for instructions.
4. Check oven door for full opening and closing.
Oven lights should be on when the door is opened and off when the door is closed.

Notes

NOTE: While performing installations described in this book, safety glasses or goggles should be worn.

For Monogram® local service in your area, call 1.800.444.1845.

NOTE: Product improvement is a continuing endeavor at General Electric. Therefore, materials, appearance and specifications are subject to change without notice.

Pub. No. 49-80295

01-05 JR

Printed in Italy



Monogram.®

GE Consumer & Industrial
Louisville, KY 40225

©2005 GE Company