

Bosch Installation Manual: NGT/NGP



BOSCH

Invented for life

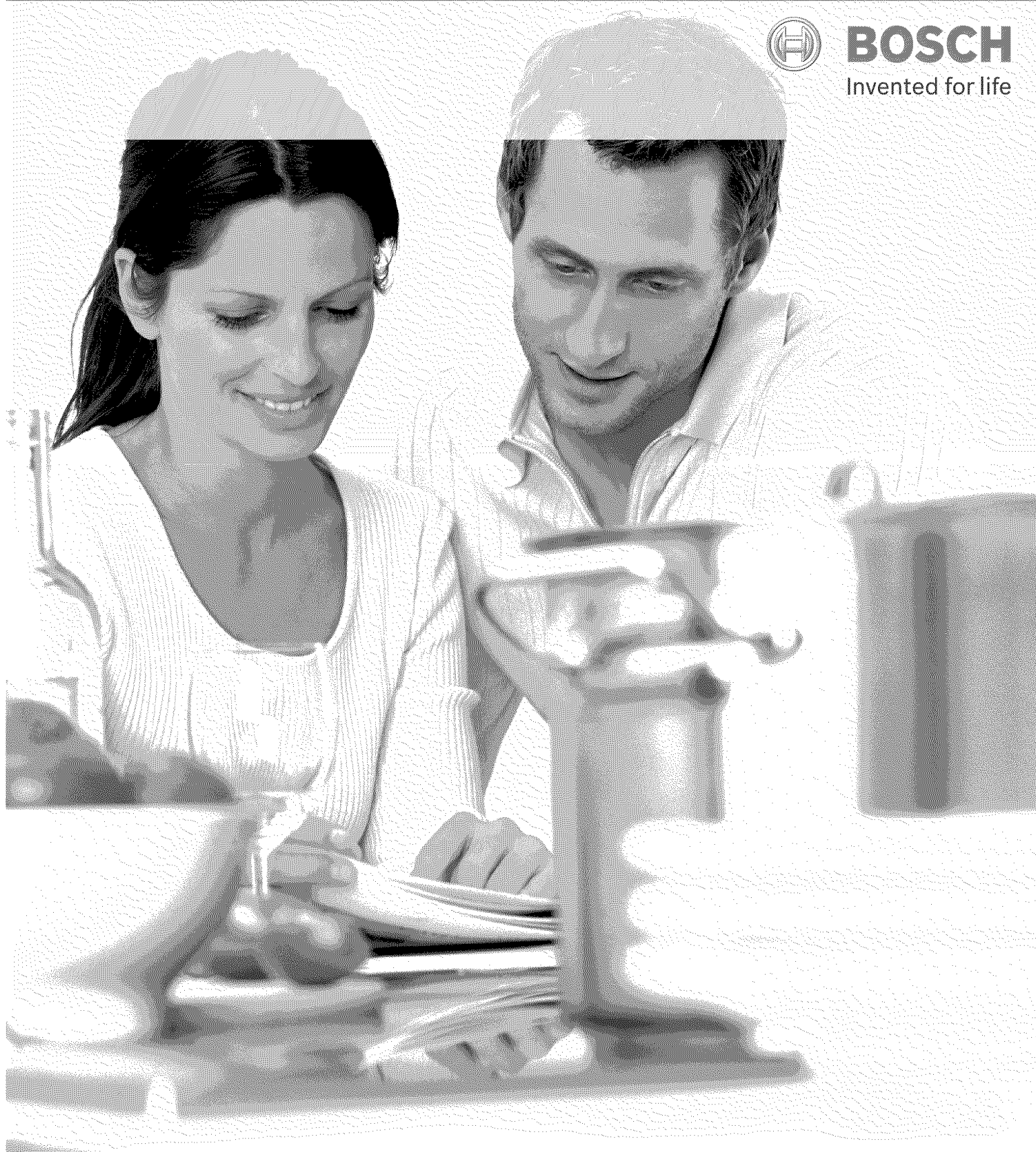


Table of Contents

| | |
|--|---|
| Important Safety Instructions | 1 |
| Installation | 3 |
| Before You Begin | 3 |
| Tools and Parts Needed | 3 |
| Parts Included | 3 |
| Cabinet Requirements | 3 |
| Countertop Requirements | 4 |
| Gas Requirements Supply Pressure | 4 |
| Propane Gas Installation (NGT Models only) | 4 |
| Installation Procedure | 5 |
| Seal the Cooktop with Foam Tape | 5 |
| Prepare the Countertop | 5 |
| Attach Brackets to the Cooktop | 5 |
| Install the Cooktop | 5 |
| Connect Gas Supply | 5 |
| Connect Electrical Supply | 7 |
| Final Check | 7 |
| Before Calling Service | 7 |
| Product Data Plate | 7 |

Questions?

1-800-944-2904

www.boschappliances.com

5551 McFadden Ave.
Huntington Beach, CA 92649

We look forward to hearing from you!



IMPORTANT SAFETY INSTRUCTIONS

READ AND SAVE THESE INSTRUCTIONS

INSTALLER: LEAVE THESE INSTRUCTIONS WITH THE APPLIANCE AFTER INSTALLATION IS COMPLETE.
IMPORTANT: SAVE FOR THE LOCAL INSPECTOR'S USE.

Important Safety Instructions



WARNING: Improper installation, adjustment, alteration, service or maintenance can cause injury or property damage. Refer to this manual. For assistance or additional information consult a qualified installer, service agency, manufacturer or the gas supplier.

- Have the installer show you the location of the circuit breaker or fuse. Mark it for easy reference.
- Be sure your appliance is properly installed and grounded by a qualified technician.

Safety Codes and Specifications

- Installation must conform with local codes or, in the absence of local codes with the National Fuel Gas Code, ANSI Z223.1.
- The appliance must be electrically grounded in accordance with local codes or, in the absence of local codes, with the National Electrical Code ANSI/NFPA 70, latest edition. (In Canada, installation must be in accordance with the CAN 1-B149.1 and .2 Installation Codes for Gas Burning Appliances and/or local codes.)
- This appliance has been tested in accordance with ANS Z21.1, Standard for Household Cooking Appliances (USA) and in accordance with CAN1-I-M81 Interim Reqt #58 Domestic Gas Cooktops (CANADA).
- Additional requirements and standards may apply in specific installations.

Equipment and Usage Safety Requirements

- The cooktop must be used in conjunction with a suitable ventilation system.
- Before plugging in an electrical cord, be sure all controls are in OFF position.

Power Requirements and Electrical Grounding Instructions

- Power Supply: 120 Volts, 15 Ampere, 60 Hz. This appliance is factory equipped with a 5-foot power supply cord with a 3-prong grounding plug (with polarized parallel blades).
- To prevent electrical shock, the third ground prong should not under any circumstances, be cut or removed. It must be plugged into a matching grounding type receptacle, connected to a correctly polarized 120-volt circuit.
- A separate circuit is recommended which is in compliance with the NEC. If there is any doubt as to whether the wall receptacle is properly grounded, the customer should have it checked by a qualified electrician.

Gas Requirements

- A manual valve must be installed in an accessible location in the gas line external to the appliance for the purpose of turning on and shutting off the gas to the appliance.
- Leak testing of the appliance shall be conducted according to manufacturer's instructions.

Gas Supply Pressure

- **Natural Gas** - 6 inches water column (14.9 Millibars) minimum.
- **Propane Gas** -11 inches water column (27.4 Millibars) minimum.

The maximum supply pressure to this appliance shall not exceed 14.0 inches water column (34.9Millibars).

Gas Appliance Safety



WARNING: If the information in this manual is not followed exactly, a fire or explosion may result causing property damage, personal injury or death.

Do not store or use combustible materials, gasoline or other flammable vapors and liquids in the vicinity of this or any other appliance.

• WHAT TO DO IF YOU SMELL GAS:

- Do not try to light any appliance.
- Do not touch any electrical switch.
- Do not use any phone in your building.
- Immediately call your gas supplier from a neighbor's phone. Follow the gas supplier's instructions.
- If you cannot reach your gas supplier, call the fire department.

Installation and service must be performed by a qualified installer, authorized service agency or the gas supplier.

Propane Gas Installation (NGT Models only)

NOTE: NGP models cannot be converted for propane use.

The propane gas tank must be equipped with its own high pressure regulator in addition to the pressure regulator supplied with this unit. The cooktop is shipped from the factory for use with natural gas. For use with LP, a conversion kit is required and must be purchased separately. Contact BSH or your retailer to obtain kit # NEZ1065. A qualified technician or installer must do the conversion.

High Altitude Installation

This cooktop has been CSA certified for safe operation up to a height of 10,000 ft. (3,048 m) without any modifications to components for natural gas or after LP conversion.

For Massachusetts Installations

- Installation must be performed by a qualified or licensed contractor, plumber or gas fitter qualified or licensed by the state, province or region where this appliance is being installed.
- Shut-off valve must be a "T" handle gas cock.
- Flexible gas connector must not be longer than 36 inches (91cm).

Installation

Before You Begin

Tools and Parts Needed

- 1) Phillips Head Screwdriver
- 2) Drill with 1/4" (6.35mm) bit
- 3) Tape Measure

Parts Included

- 1) Foam tape
- 2) Hold down brackets (4)
- 3) Screws, #10-32 x 2 1/2" (63.8mm) (4)
- 4) Sheet Metal Screws, #8 x 3/8" (9.5mm) (4)
- 5) Washers (4)
- 6) Rubber Grate Foot (1 extra foot is included for future use if required)

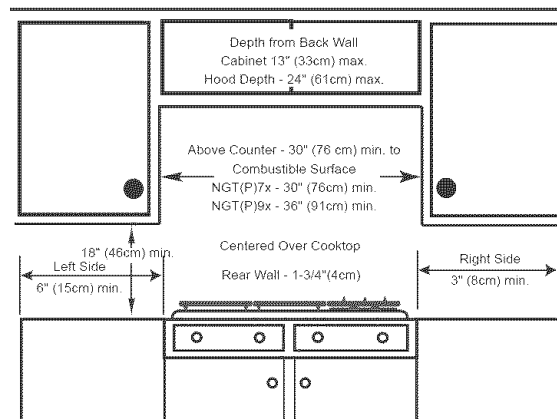
If parts are missing or damaged, call the number or write to the address listed inside the back cover.

Cabinet Requirements

Dimension requirements in Figs. 1 & 2 are for combustible surfaces. When the surface is protected by a material listed by UL as a Floor Protector and Wall Shield covered with not less than No. 28 MSG sheet metal 0.015 inch (0.38mm) stainless steel, 0.024 inch (0.6mm) aluminum or copper, it is considered noncombustible and some dimensions may be reduced. For a noncombustible surface over the cooktop, the minimum clearance is 24" (61cm) rather than 30" (76cm) .

- Instructions are based on standard American cabinets 36" high (91cm) x 24" deep (61cm) with a 25" (63cm) countertop.
- Provide approximately a 10 square inch opening (65cm²) in the toe kick area or other cabinet area for adequate air inlet to the cabinet.

Figure 1 - Installed Dimensions (from cooktop edges)



NOTE: All measurements given have to be precisely followed. If nonstandard cabinets are used, make sure they are installed with minimum dimensions shown in fig. 1 and fig. 2.

Plan the installation of the unit so that the power cord, gas shut-off valve and gas pressure regulator are accessible from the front of cabinet. If a drawer is installed directly under the cooktop, its depth (front to back) should be no greater than 15" (38cm).

Countertop Requirements

Figure 2 - Cutout Dimensions

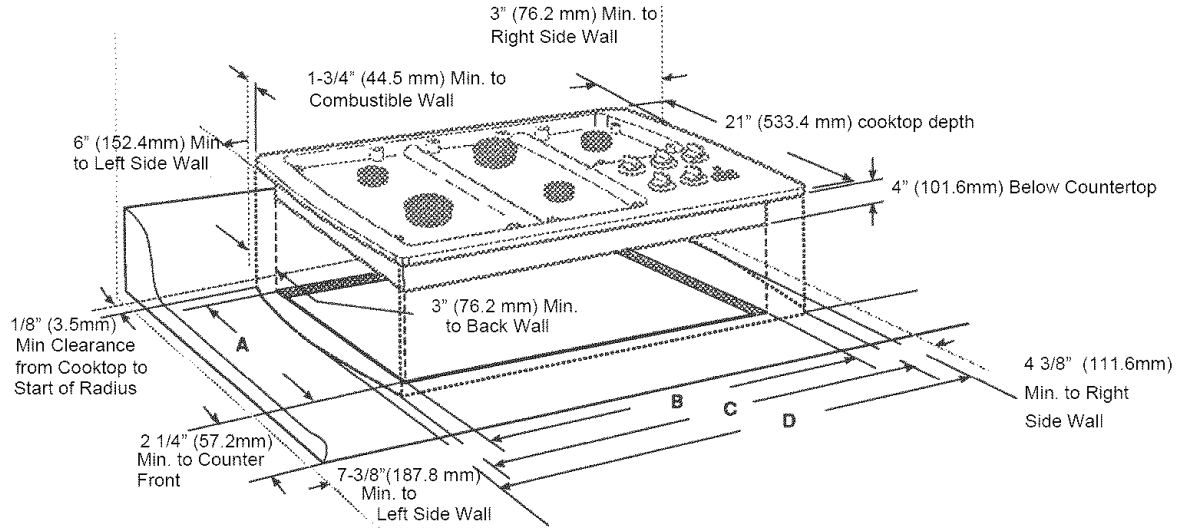


Table 1: Cutout Dimensions

| Fig. 2 | 30" Models | 36" Models |
|-------------|---|--|
| A - Cutout | 19-1/8" to 19-7/8" (486.1mm) to (505.6mm) | 19-1/8 to 19-7/8" (486.1mm) to (505.6mm) |
| B - Cutout | 28-5/8" to 29-3/8" (727.2mm) to (746.6mm) | 34-5/8" to 35-5/8" (879.6mm) to (899mm) |
| C - Corner | 30" (762mm) | 36" (914.4mm) |
| D - Overall | 31" (787.4mm) | 37" (939.8mm) |

Gas Requirements - Supply Pressure

- **Natural Gas** - 6 inches water column (14.9 Millibars) minimum.
- **Propane Gas** - 11 inches water column (27.4 Millibars) minimum.

Propane Gas Installation (NGT Models only)

NOTE: NGP models cannot be converted for propane use.

The propane gas tank must be equipped with its own high pressure regulator in addition to the pressure regulator supplied with this unit. The cooktop is shipped from the factory for use with natural gas. For use with LP, a conversion kit is required and must be purchased separately. Contact BSH or your retailer to obtain kit # NEZ1065. A qualified technician or installer must do the conversion.

Leak testing of the appliance shall be conducted according to manufacturer's instructions.

Installation Procedure



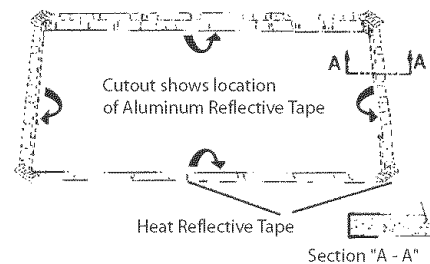
WARNING: To avoid electrical shock hazard, before installing the cooktop, switch power off at the service panel and lock the panel to prevent the power from being switched on accidentally.

- 1) Seal the Cooktop with Foam Tape
- 2) Prepare the Countertop

Apply the foam tape packaged with the cooktop to underside of the cooktop along the perimeter before installing.

Cut out the countertop per the dimensions shown in section **Countertop Cutout Dimensions** above. For solid surface material installations such as Surell™ and Corian®, consult with solid surface manufacturer. Apply heat reflective tape such as Scotch Aluminum Foil Tape #425 or #427 around the cutout so that it folds over on the top and sides. Do not wrap the tape underneath the cooktop. Be sure the tape extends beyond the outermost flange of the cooktop. All corners should be covered with tape.

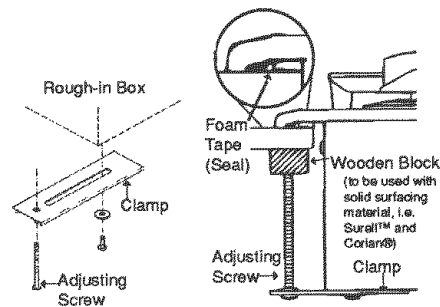
Figure 3 - Counter Cutout – Solid Surface Countertops



- 3) Attach Brackets to the Cooktop

Attach clamps of the hold-down brackets packaged with the cooktop to the rough-in box. Use the washer and screws provided.

Figure 4 - Attaching Hold-Down Brackets



- 4) Install the Cooktop

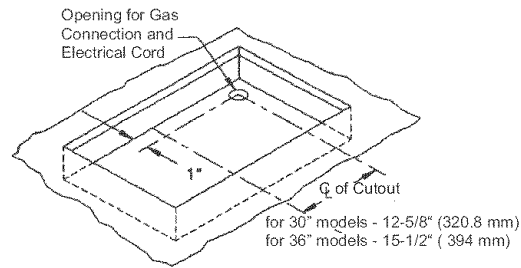
Insert cooktop into the cutout. Adjust hold-down brackets to desired position and tighten screws to rough-in box. Insert adjusting screw into clamp and secure cooktop to countertop.

For solid surface material installations: Insert a wooden block between the end of the screw and the bottom of the countertop. Do not overtighten adjusting screw. Trim excess aluminum tape around cooktop flange.

- 5) Connect Gas Supply

The gas inlet to the unit is located at the right rear of rough-in box. After installing a gas shut-off valve in an easily accessible location under the unit, install the pressure regulator (supplied) to manifold pipe using Teflon tape on threads of manifold pipe. To prevent possible damage to the gas pressure regulator, install it after the rough-in box is in its permanent position.

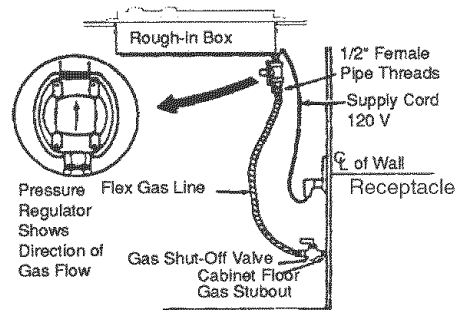
Figure 5 - Rough-in Box Area



CAUTION: Do not attempt any adjustment of the pressure regulator, except conversion to propane.

Connect the gas supply line to the unit pressure regulator using a 1/2" flex gas line connector between wall shut-off valve and pressure regulator (see complete procedure in Figure 6.)

Figure 6 - Gas and Electrical Location



Secure regulator to cooktop gas inlet using approved Teflon tape. Turn to hand tighten plus 1/4 turn, not exceeding 1 turn for alignment.

Check supply line connections for leaks using a soap solution. Do not use a flame of any sort.

1. Turn on gas.
2. Apply a non-corrosive leak detection fluid to all joints and fittings in the gas connection between the shut-off valve and the range. Include gas fittings and joints in the range if connections may have been disturbed during installation. Bubbles appearing around fittings and connections indicate a leak.
3. If a leak appears, turn off supply line gas shut-off valve and tighten connections.
4. Retest for leaks by turning on the supply line gas shut-off valve. When leak check is complete (no bubbles appear), test is complete.
5. Wipe off all detection fluid residue.

Important Notes for Gas Connection:

- The appliance and its individual gas shutoff valve must be disconnected from the gas supply piping system during any pressure testing of that system at test pressures in excess of 1/2 psig (3.5kPa).

- The appliance must be isolated from the gas supply piping system by closing its individual manual shut-off valve during any pressure testing of the gas supply piping system at test pressures equal to or less than 1/2 psi (3.5kPa).

6) Connect Electrical Supply

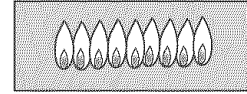
Before connecting 5-foot (1.5 m) supply cord to wall receptacle, make certain that gas shutoff valve and all burner controls are in OFF position.

7) Final Check

After electrical connection is complete, place each burner cap in correct sized notched position and check operation of electric igniters. Check flame characteristics. Flame should be blue with no yellow tip.

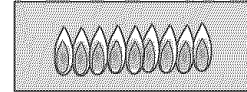
Yellow Flames:

Further adjustment is required.



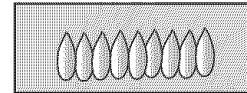
Yellow Tips on Outer Cones:

Normal for LP Gas.



Soft Blue Flames:

Normal for Natural Gas.



If the flame is completely or mostly yellow, verify that the regulator is set for the correct fuel. After adjustment, retest.

Some yellow streaking is normal during the initial start-up. Allow unit to oper-

Before Calling Service

If the elements do not heat or if the indicator "on" light does not glow, check the power source to see if a fuse has blown or if the circuit breaker has tripped.

Refer to the Warranty in the Use and Care Manual. See Use and Care manual for troubleshooting information.

Product Data Plate

The data plate shows the model and serial number of your cooktop. It is located in the center front area of the rough-in box, underneath the cooktop.

Keep your invoice or escrow papers for warranty validation if service is needed.

For technical service questions contact Customer Relations at 1 (800) 944-2904.

For the most up to date critical dimensions by fax, use your fax handset and call 775-833-3600. Use code # 8317.

We reserve the right to change specifications or design without notice. Some models are certified for use in Canada. BSH Home Appliances Corp. is not responsible for products which are transported from the U.S. for use in Canada. Check with your local Canadian distributor or dealer

Note: The Bosch cooktop referred to throughout this manual is manufactured by BSH Home Appliances Corp.

BOSCH

YOUR LIFE. OUR INSPIRATION

5551 McFadden Avenue, Huntington Beach, CA 92649 • 800/944-2904 • www.boschappliances.com
• 9000065787 (ECO# 5V03NQ) • 10037 Rev A • 04/05 © BSH Home Appliances Corporation 2005 • Litho in USA