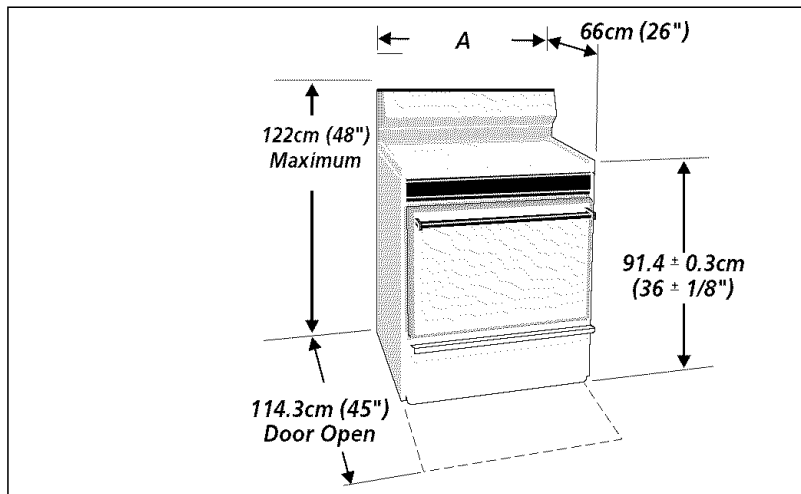
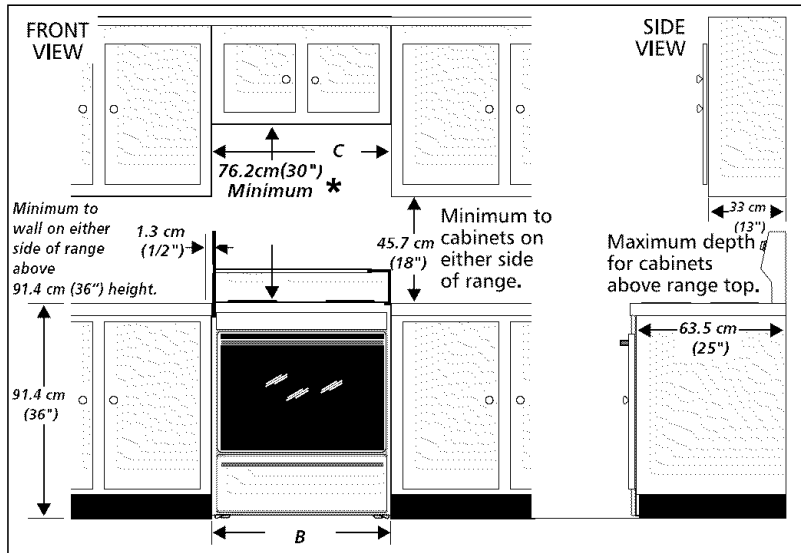


ELECTRIC RANGE INSTALLATION INSTRUCTIONS

**INSTALLATION AND SERVICE MUST BE PERFORMED BY A QUALIFIED TECHNICIAN.
IMPORTANT: SAVE FOR THE LOCAL ELECTRICAL INSPECTOR'S USE.
READ AND SAVE THESE INSTRUCTIONS FOR FUTURE REFERENCE.**

1. Clearances and Dimensions

- Provide adequate clearances between the range and adjacent combustible surface (1.3cm (1/2")) to the cabinet side walls and the rear wall).
- Location—Check location where the range will be installed. Check for proper electrical supply and the stability of floor.
- Dimensions that are shown must be used. Given dimensions provide minimum clearance. Contact surface must be solid and level.



RANGE	DIMENSIONS		
	A	B	C
24"	61cm 24"	63.5cm 25"	61cm 24"
30"	76.2cm 30"	78.7cm 31"	76.2cm 30"

* 76.2cm (30") MINIMUM CLEARANCE BETWEEN THE TOP OF THE COOKING SURFACE AND THE BOTTOM OF AN UNPROTECTED WOOD OR METAL CABINET; OR 61cm (24") MINIMUM WHEN BOTTOM OF WOOD OR METAL CABINET IS PROTECTED BY NOT LESS THAN .64cm (1/4") FLAME RETARDANT MILLBOARD COVERED WITH NOT LESS THAN NO. 28 MSG SHEET STEEL, 0.038cm (0.015") STAINLESS STEEL, 0.061cm (0.024") ALUMINUM OR 0.051cm (0.020") COPPER. 1.3cm (1/2") CLEARANCE IS THE MINIMUM FOR THE REAR AND SIDES OF THE RANGE. FOLLOW ALL DIMENSION REQUIREMENTS PROVIDED ABOVE TO PREVENT PROPERTY DAMAGE, POTENTIAL FIRE HAZARD, AND INCORRECT COUNTERTOP AND CABINET CUTS.

TO ELIMINATE THE RISK OF BURNS OR FIRE BY REACHING OVER HEATED SURFACE UNITS, CABINET STORAGE SPACE LOCATED ABOVE THE SURFACE UNITS SHOULD BE AVOIDED. IF CABINET STORAGE IS TO BE PROVIDED, THE RISK CAN BE REDUCED BY INSTALLING A RANGE HOOD THAT PROJECTS HORIZONTALLY A MINIMUM OF 12.7cm (5") BEYOND THE BOTTOM OF THE CABINETS.

ELECTRIC RANGE INSTALLATION INSTRUCTIONS

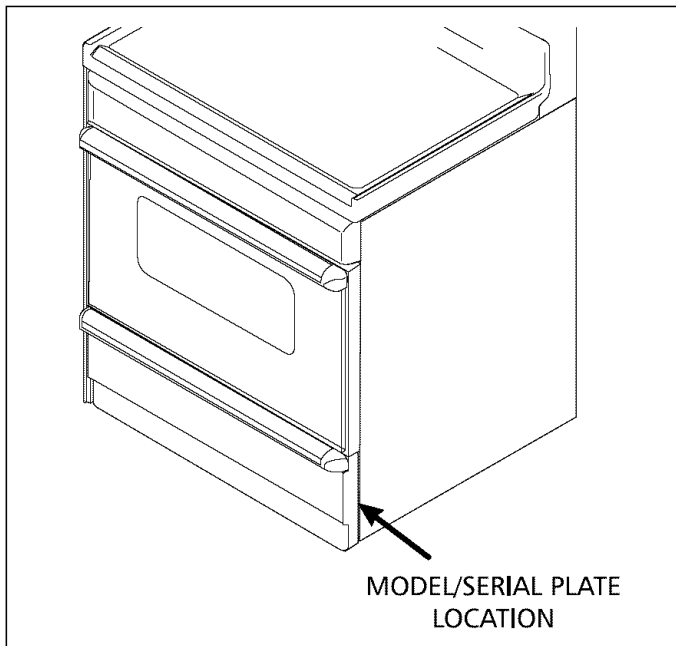
2. Serial Plate Information

See the serial plate for the following information:

1. Model and serial number of the range.
2. Kilowatt rating (power requirements).
3. Voltage ratings.

Serial plate location is as shown below.

When inquiring about your range, be sure to include the model, brand, product type, approximate date of purchase and serial number along with your inquiry.

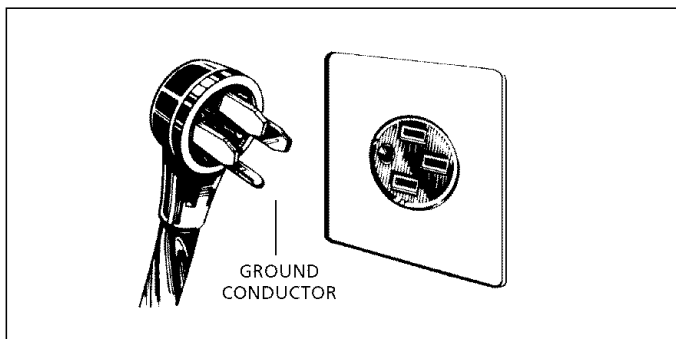


3. Electrical Connection Requirements

This appliance must be properly installed and grounded by a qualified technician in accordance with the Canadian Electrical Code (CSA Standard C22.1 Part 1--latest edition)--and local electrical code requirements.

This appliance must be connected to a grounded 120/240 volt or 120/208 volt range outlet.

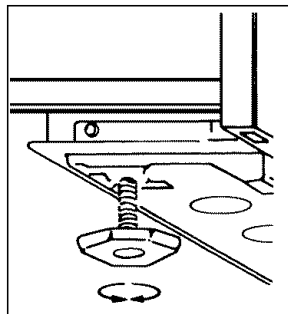
If no outlet is available, have one installed by a qualified electrician.



4. Location

Set your new range against the rear wall and line it up with the kitchen counters. Make sure there is at least 13 mm (1/2") of clearance between each side of the range and the kitchen counters. Allow 76 mm min. to 130 mm max. (3" min. to 5" max.) clearance between your range and refrigerator, if they are side by side.

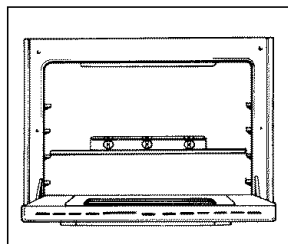
5. Levelling



For good baking results, your range should be level and rest firmly on a level floor. Screw type levelling legs are provided at each corner of the range at the base. Remove the storage drawer to adjust the leveling legs.

The drawer may be removed by pulling it forward as far as it

will go, lifting up the front edge up and pulling it forward again.



To level the range:

1. Use a 1-1/4" open end key or an adjustable wrench to equally back out the four levelling legs two to three turns each.
2. Install an oven rack in the

center of the oven.

3. Move the range in its final location, then put a spirit level on the rack to check for levelness. Take two readings, one with the level placed diagonally first in one direction, and then the other.

4. Use a 1 1/4" the key or wrench to adjust the levelling legs. Turn each one until the range stands firm without wobbling.

5. Some models are supported by smooth glide rollers to facilitate moving. If floor is flat and level, open the drawer and lower the front roller locking levers to prevent the range from moving. If floor is not flat or level, use the 4 leveling legs to level, support and prevent the range from moving when the drawer is opened.

