

Kenmore

Owner's Manual

MODEL NO.

Natural Gas

229.965520

229.965530

229.965540

229.965550

229.965560

229.965570

Propane Gas

229.965320

229.965330

229.965340

229.965350

229.965360

229.965370

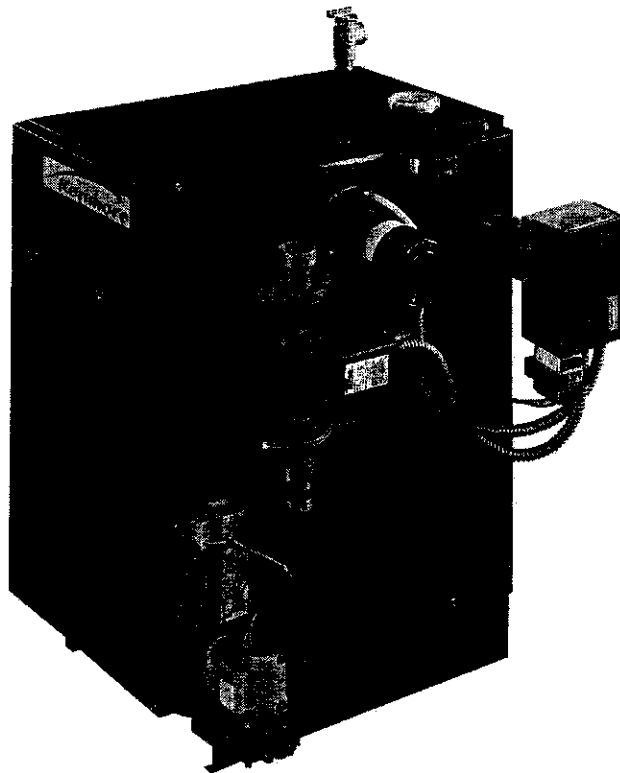
CAUTION

This boiler cannot be used with all types of chimneys.

Read all instructions carefully before starting the installation.

Save this manual for reference.

These instructions must be affixed on or adjacent to the boiler.



Electronic Ignition

Gas-Fired Hot Water Induced Draft Boiler

- **Installation**
- **Operation**
- **Repair Parts**

WARNING: Improper installation, adjustment, alteration, service or maintenance can cause injury or property damage. Refer to this manual. For assistance or information consult a qualified installer, service agency or the gas supplier. Natural gas boilers are not to be converted to Propanr gas.

Sears, Roebuck and Co., Hoffman Estates, IL 60179 U.S.A.

Contents

Warranty	2	Gas Supply Piping	20
Rules for Safe Installation and Operation	3	Electrical Wiring/Sequence of Operation	21
Boiler Ratings and Capacities	4	Wiring Diagram	22
Before You Start	5	Equipment and Optional Accessories - What They Do	23
Locating the boiler	6	Checking and Adjusting	27
Fresh Air for Combustion	7	Maintaining Your Boiler	28
Installation-System Piping	9	Service Hints	30
Chimney and Vent Pipe Connection	11	Repair Parts	31
Horizontal Venting	14		

Warranty

SEARS

KENMORE CAST IRON BOILERS

FULL ONE YEAR WARRANTY ON HOT WATER AND GAS STEAM CAST IRON BOILERS

For one (1) year from the date of installation, when this boiler is installed and maintained in accordance with our instructions. Sears will repair defects in material or workmanship in the boiler, free of charge.

LIMITED 12 YEAR WARRANTY ON STEAM CAST IRON BOILERS

After one (1) year and through twelve (12) year from the date of installation, Sears will furnish a replacement heat exchange, if the heat exchanger in the boiler is defective. **YOU PAY FOR LABOR.**

LIMITED 20 YEAR WARRANTY ON HOT WATER CAST IRON BOILERS

After one (1) year and through twenty (20) years from the date of installation, Sears will furnish a replacement heat exchanger in the boiler is defected. **YOU PAY FOR LABOR.**

SEARS INSTALLATION WARRANTY

In addition to any warranty extended to you on the Sears merchandise involved, which warranty becomes effective the date the merchandise is installed, should the workmanship of any Sears arranged installation prove faulty with one year, Sears will, upon notice from you, cause such faults to be corrected at no additional cost to you.

FOR WARRANTY SERVICE, SIMPLY CONTACT THE NEAREST SEARS STORE OR SERVICE CENTER THROUGHOUT THE UNITED STATES. This warranty gives you specific legal rights, and you may also have other rights which vary from state to state.

IMPORTANT

The following are the responsibilities of the user and are cover by the Warranty.

1. Filter clearing or replacement.
2. Damage to unit or unsatisfactory operation due to improper cleaning or use of unit in corrosive atmosphere.
3. Damage to unit or unsatisfactory operation due to blown fuses or inadequate or interrupted electrical protective devices.
4. Damage to unit caused by the use of components or other accessories not compatible with the unit.
5. If the unit is removed from the place it was originally installed, this Warranty becomes void.
6. Damage to the unit caused by accident, abuse, negligence, misuse, riot, fire, flood, or acts of God.

SEARS ROEBUCK AND COMPANY
D/817WA
Hoffman Estates, IL 60179

Rules for safe Installation and Operation

1. Read the Owner's Manual for Safe Operation carefully. Failure to follow the rules for safe operation and the instructions can cause a malfunction of the boiler and result in death, serious bodily injury, and/or property damage.
2. Check your local codes and utility requirements before installation. The installation must be in accordance with their directives.
3. Before servicing, allow boiler to cool. Always shut off any electricity and gas to boiler when working on it. This will prevent any electrical shocks or burns.
4. Never test for gas leaks with an open flame. Use soap and check all connections. This will avoid any possibility of fire or explosion.
5. Be certain your boiler will be using the correct gas. Overfiring will result in premature failure of the boiler sections and cause dangerous operation.
6. Never vent this boiler into an enclosed space. Always vent to the outside. Never vent to another room or inside a building.
7. Be sure there is adequate air supply for complete combustion.
8. Follow a regular service and maintenance schedule for efficient and safe operation.

Basic Tools and Materials Needed

TOOLS

Pipe Wrench
Screwdriver
Tin Snips
6 foot tape or folding rule
Hack Saw
LP Torch, if you have copper piping
Pipe cutter and threading tools
(for iron pipe systems)

MATERIALS

Pipe joint compound suitable for natural and propane gas.
Iron or copper pipe for the water lines.
Black pipe for the gas lines.
Miscellaneous fittings.
Solder and flux if you have copper piping.

Helpful Information

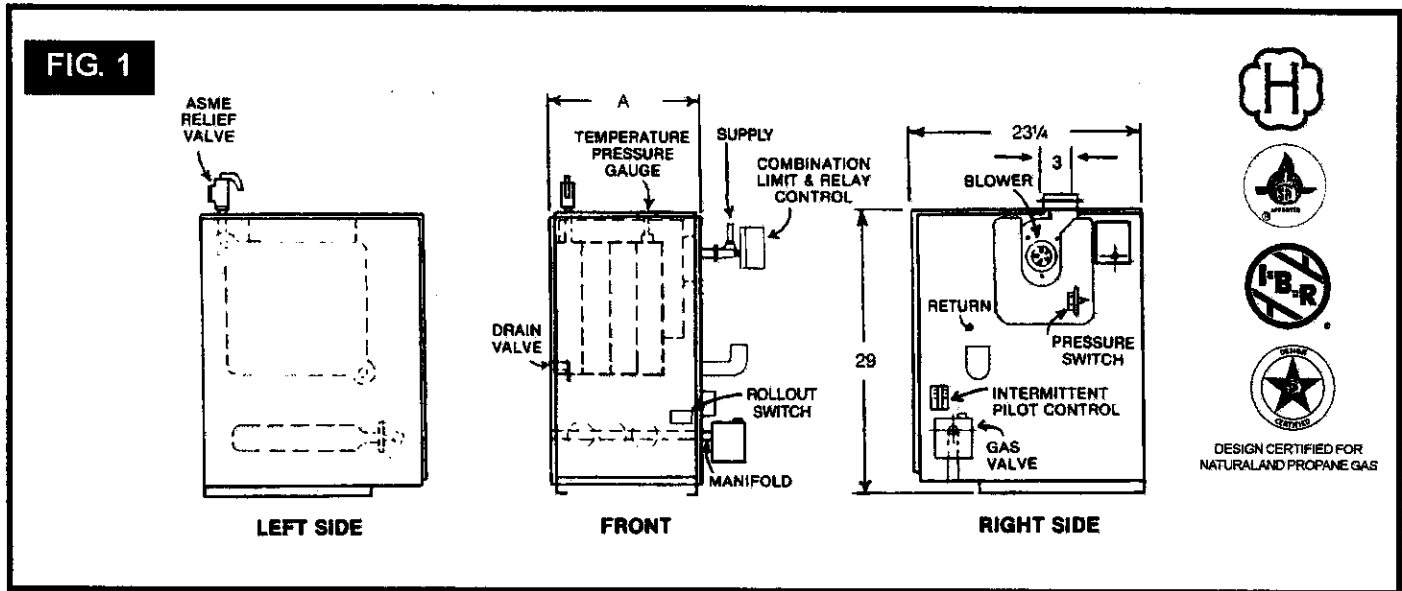
The following booklets will help you in making the installation:

Electrical Wiring - Available at Sears from the Plumbing, Heating or Electrical Departments at nominal cost.

American National Standards, Installation of Gas Appliance and Gas Piping, National Fuel Gas Code ANSI Z223.1 - latest revision.

Obtain from American Gas Association, 1515 Wilson Boulevard, Arlington (Roslyn), VA 22209

Boiler Ratings and Capacities



NATURAL AND PROPANE GASES

MODEL		No. Sec.	AGA Input *MBH	Heating Capacity +MGB	Net IBR Rating *MBH	Width A	Vent Diameter(INCHES)	
Natural Gas	Propane Gas						To Chimney (Category I)	Horizontal Vent (Category III)
229.965520	229.965320	2	42.5	36	31	11	4	3
229.965530	229.965330	3	75.0	63	55	14 1/4	4	3
229.965540	229.965340	4	112.5	94	82	17 1/2	4	3
229.965550	229.965350	5	150.0	125	109	20 3/4	4	3
229.965560	229.965360	6	187.5	155	135	24	4	4
229.965570	229.965370	7	225.0	186	162	27 1/4	4	4

* MBH = 1,000 Btuh = British Thermal Unit Per Hour

Boilers are equipped for altitudes up to 2,000 feet only.

U.S.A. Only - For altitudes above 2,000 feet, ratings should be reduced at the rate of 4% for each 1,000 feet above sea level.

Canada Only - Boilers may be used at high altitude by using a certified field conversion, kit, resulting in a 10% derate.

+ Heating Capacity based on D.O.E. (Department of Energy) test procedure.

The Ratings marked "Net 1=B=R Ratings" indicate the amount of remaining heat input that can be used to heat the radiation or terminal units. The Net 1=B=R Ratings shown are based on an allowance of 1.15 in accordance with the factors shown on the 1=B=R Standard as published by The Hydronics Institute.

Selection of boiler size should be based upon "Net 1=B=R Rating" being equal to or greater than the calculated heat loss of the building.

The manufacturer should be consulted before selecting a boiler for installations having unusual piping and pickup requirements. These boilers must stand on a noncombustible floor. If installed on a combustible floor, use Combustible Floor Base.

These Gas-Fired Hot Water Boilers are low pressure, sectional cast iron boilers Design Certified by CSA (Canadian Standards Association) for use with Natural and Propane Gases. They are constructed and hydrostatically tested for a maximum working pressure of 50psi (pounds per square inch) in accordance with A.S.M.E. (American Society of Mechanical Engineers) Boiler and Pressure Vessel Code Section IV Standards for cast iron heating boilers.

BOILERS FOR USE AT HIGH ALTITUDE

This boiler is factory equipped for use at altitudes of 0-2,000 feet above sea level. For use at altitudes above 2,000 feet above sea level, the input ratings are reduced by a change in main burner orifice size.

Before You Start

Check to be sure you have the right size boiler before starting the installation. See rating and capacity table on previous page. Also be sure the new boiler is for the type of gas you are using. Check the rating plate on the right side of the boiler.

You must see that the boiler is supplied with the correct type of gas, fresh air for combustion, and a suitable electrical supply. Also, the boiler must be connected to a suitable chimney or horizontal venting system and an adequate piping system. Finally, a thermostat, properly located, is needed for control of the heating system. If you have any doubts as to the various requirements, check with local authorities and obtain professional help where needed. Take the time to complete all of the steps for SAFE and PROPER operation of the heating system.

Were required by the authority having jurisdiction, the installation must conform to American Society of Mechanical Engineers Safety Code for Controls and Safety Devices for Automatically Fired Boilers, No. CSD-1*

The installation must conform to the requirements of the authority having jurisdiction or, in the absence of such requirements, to the National Fuel Gas Code, ANSI Z223.1-latest revision.

The following steps are all necessary for proper installation and safe operation of your boiler.

1. LOCATING THE BOILER
2. FRESH AIR FOR COMBUSTION
3. SYSTEM PIPING
4. CHIMNEY & VENT PIPE CONNECTION
5. GAS SUPPLY PIPING
6. ELECTRICAL WIRING
7. CHECKING & ADJUSTING

KEEP BOILER AREA CLEAN AND FREE FROM COMBUSTIBLE MATERIALS, GASOLINE AND OTHER FLAMMABLE VAPORS AND LIQUIDS

Locating the Boiler

If your boiler is part of a planned heating system, locate it where shown on your plan. If boiler is to be part of an existing system, it is usually best to put it where the old one was. If you plan to change location, you will need additional materials as well as an adequate base. The following rules apply:

1. The boiler must be level. Metal shims may be used under base legs for final leveling.
2. Use a raised base if floor can become wet or damp.
3. The vent pipe connection should be as short as possible.
4. Additional clearances for service may exceed clearances for fire protection. Always comply with the minimum fire protection clearances shown on the boiler. An 18 inch clearance should be maintained on any side where passage is required to access another side for cleaning, servicing, inspection or replacement of any part that may need attention. An 18 inch clearance is recommended on the control side for servicing.

Figure 2 shows minimum clearances to combustible construction. Rooms that are large in comparison with the size of the boiler are defined as rooms having a volume equal to or greater than 16 times the volume of the boiler. Where the actual ceiling height of a room is greater than 8', the volume of a room shall be figured on the basis of a ceiling height of 8'. Determination of room size should be based on the total volume of all gas fired equipment installed in the room. Consult section 6.3.1 of the National Fuel Gas Code for further information, including approved methods for reducing clearances in large room.

5. Equipment shall be installed in a location in which the facilities for ventilation permit satisfactory combustion of gas, proper venting, and maintenance of ambient temperature at safe limits under normal conditions of use. Equipment shall be located so as not to interfere with proper circulation of air. When normal infiltration does not provide the necessary air, outside air shall be introduced (See Page 4 - "Fresh Air for Combustion").
6. Advise owner to keep air passages free of obstructions. Ventilating and combustion air must enter boiler room without restrictions.
7. The floor supporting the boiler must be noncombustible. If it is combustible, place the

boiler on Combustible Floor Base No 14614031 for 2-5 section boilers, or No. 14614032 for 6-7 section boilers. We use a 2" cloudlet pad as a combustible floor base. These are available from your local supplier. Use 24" x 30" pad for 2-5 section boilers, and a minimum 30" x 30" pad for 6-7 sections boilers. The boiler must be centered on the combustible floor base.

8. The boiler shall be installed such that the automatic gas ignition system components are protected from water (dripping, spraying, rain, etc.) during appliance operation and service (circulator replacement, control replacement, etc..)

FIG. 2 - MINIMUM CLEARANCE DIMENSIONS

	Alcove, or Room Not Large In Comparison With Boiler	Room Large In Comparison With Boiler
Top	6"	6"
Rear	6"	6"
Control Side	8"	8"
Opposite Side	6"	6"
Front	18"	18"
Flue/Vent Connector	6"	6"
Near Boiler Piping	1"	1"

Boiler Size	Boiler Volume (Cu. Ft.)	Minimum Room Volume Required To Be Large Room (Cu. Ft.)*
2 sect.	4.3	68.7
3 sect.	5.6	89
4 sect.	6.8	109.3
5 sect.	8.1	129.5
6 sect.	9.4	149.8
7 sect.	10.6	170.1

THIS UNIT MUST BE SET ON A CONCRETE OR OTHER NONCOMBUSTIBLE MATERIAL BASE OR FLOOR. IT MUST NOT BE INSTALLED ON CARPETING.

Fresh Air for Combustion

Provision for combustion and ventilation air must be in accordance with Section 5.3, Air for Combustion and Ventilation, of the National Fuel Gas Code, ANSI Z223.1-latest revision, or applicable provisions of the local building codes.

WARNING

Be sure provide enough fresh air for combustion. Enough air insures proper combustion and **assures that hazard will develop due to the lack oxygen.**

NOTE

If you use a fireplace or a kitchen or bathroom exhaust fan, you should install an outside air intake. These devices will rob the boiler and water heater of combustion air.

You must provide for enough fresh air to assure proper combustion. The fire in the boiler uses oxygen. It must have a continuous supply. The air in a house contains only enough oxygen to supply the burner for a short time. Outside air must enter the house to replace that used by the burner. Study following examples 1 and 2 to determine your fresh air requirements.

EXAMPLE 1: Boiler Located in Unconfined Space

An unconfined space is defined as a space whose volume is not less than 50 cubic feet per 1,000 Btu per hour of the total input rating of all appliances installed in that space.

If your boiler is in an open area (unpartitioned basement) in a conventional house, the air that leaks through the cracks around doors and windows will usually be adequate to provide air for combustion. The doors should not fit tightly. Do not caulk the cracks around the windows. Equipment located in buildings of unusually tight construction shall be provided with air for combustion, ventilation, and dilution of flue gases using the methods described in example 2B or shall be specially engineered. The authority having jurisdiction must approve specially engineered installations.

EXAMPLE 2: Boiler Located in Confined Space

A. All Air from Inside the Building: The confined space shall be provided with two permanent openings communicating directly with an additional room(s) of sufficient volume so that the combined volume of all spaces meets the criteria for an unconfined space. The total input of all gas utilization equipment installed in the

combined space shall be considered in making this determination. Each opening shall have a minimum free area of one square inch per 1,000 Btu per hour of the total input rating of all gas utilization equipment in the confined space, but not less than 100 square inches. One opening shall be within 12 inches of the top and one within 12 inches of the bottom of the enclosure. The minimum dimension of air openings shall not be less than 3 inches.

B. All Air from Outdoors: The confined space shall communicate with the outdoors in accordance with methods 1 or 2. The minimum dimension of air openings shall not be less than 3 in. Where ducts are used, they shall be of the same cross-sectional area as the free area of the openings to which they connect.

1. Two permanent openings, one commencing within 12 inches of the top, and one commencing within 12 inches of the bottom, of the enclosure shall be provided. The openings shall communicate directly, or by the ducts, with the outdoors or spaces (crawl or attic) that freely communicate with the outdoors.

a) Where directly communicating with the outdoors or where communicating to the outdoors through vertical ducts, each opening shall have a minimum free area of 1 sq. in. per 4000 Btu per hour of total input rating of all equipment in the enclosure. (See Figure 3A.)

b) Where communicating with the outdoors through horizontal ducts, each opening shall have a minimum free area of 1 area of sq. in. per 2000 Btu per hour of total rating of all equipment in the enclosure. (See Fig. 3B.)

2. One permanent opening commencing with 12 inches of the top of the enclosure, shall be permitted where the equipment has clearance of at least 1 inch from the sides and back and 6 inches from the front of the appliance. The opening shall directly communicate with the outdoors or shall communicate through a vertical or horizontal duct to the outdoors or spaces (crawl or attic) that freely communicate with the outdoors, and shall have a minimum free area of:

- a) 1 sq. inch per 3000 Btu per hour of the total input of all equipment located in the enclosure (See Fig. 4), and the front of the appliance
- b) Not less than the sum of the areas of all vent connectors in the confined space.

FIG. 3B - FRESH AIR DUCT CAPACITIES (Btuh)

1 Square Inch per 2,000 Btuh

	100% Free Area	75% Free Area	25% Free Area
Fresh Air Duct Size	1/4" Wire Mesh	Metal Louvers	Wood Louvers
3" x 12"	72,000	54,000	18,000
8" x 8"	128,000	96,000	32,000
8" x 12"	192,000	144,000	48,000
8 1/2" x 16"	256,000	192,000	64,000

FIG. 4 - FRESH AIR DUCT CAPACITIES (Btuh)

1 Square Inch per 3,000 Btuh

	100% Free Area	75% Free Area	25% Free Area
Fresh Air Duct Size	1/4" Wire Mesh	Metal Louvers	Wood Louvers
3" x 12"	108,000	81,000	27,000
8" x 8"	192,000	144,000	48,000
8" x 12"	288,000	216,000	72,000
8 1/2" x 16"	384,000	288,000	96,000

FIG. 3A - FRESH AIR DUCT CAPACITIES (Btuh)

1 Square Inch per 4,000 Btuh

	100% Free Area	75% Free Area	25% Free Area
Fresh Air Duct Size	1/4" Wire Mesh	Metal Louvers	Wood Louvers
3" x 12"	144,000	108,000	36,000
8" x 8"	256,000	192,000	64,000
8" x 12"	384,000	288,000	96,000
8 1/2" x 16"	512,000	384,000	128,000

Installation-System Piping

1. Place boiler in the selected location (as near chimney as possible). Your boiler is shipped assembled. You need only to install the circulator, ball valves the relief valve with a drain line to carry any water to a drain, and the drain valve.
2. Install Relief Valve on 3/4" pipe nipple in tapped opening in the left end section. Connect a drain line of the same pipe size (3/4" to carry any water away to a drain. No shutoff of any description shall be placed between the safety relief valve and the boiler, or on discharge pipes between such safety valves and the atmosphere. Installation of the safety relief valve shall conform to the requirements of the ANSI/ ASME Boiler and Pressure Vessel Code, Section IV.
3. Install Drain Valve on lower left side of boiler as marked.
4. Connect Supply and Return Lines to boiler. The connections may require certain additional fittings and parts, as shown on diagram (Figs. 5 and 6).

If you are installing an entire new heating system, first install all of your radiation units (panels, radiators or cabinets) and the Supply and Return Mains - then make the connections at the boiler.

In connecting the cold water supply to the water valve, make sure that a clean water supply is available. When the water supply is from a well or pump, a sand strainer should be installed at the pump.

A hot water boiler installed above radiation level must be equipped with a low water cutoff device. A periodic inspection is necessary, as is flushing of float type devices, per manufacturers specific instructions.

When boiler is used in connection with refrigeration systems it shall be installed so that the chilled medium is piped in parallel with the heating boiler with appropriate valves to prevent the chilled medium from entering the heating boiler (Fig. 7).

When this boiler is connected to heating coils located in air handling units where they may be exposed to refrigerated air circulation, the piping system shall be equipped with flow control valves or other automatic means to prevent gravity circulation of the boiler water during the cooling cycle.

LOW DESIGN WATER TEMPERATURE SYSTEMS (BELOW 140° F)

If the boiler is to be used in a heating system where design water temperatures below 140° F are desired (e.g. radiant floor heating), a 3-way or 4-way mixing valve or suitable alternative is required to prevent low temperature return water from entering the boiler. Follow the mixing valve manufacturers installation instructions. The minimum design return water temperature to the boiler to prevent condensation in the boiler and venting is 120° F The minimum high limit setting is 140° F.

FIG. 5 - FORCED HOT WATER TYPICAL PIPING

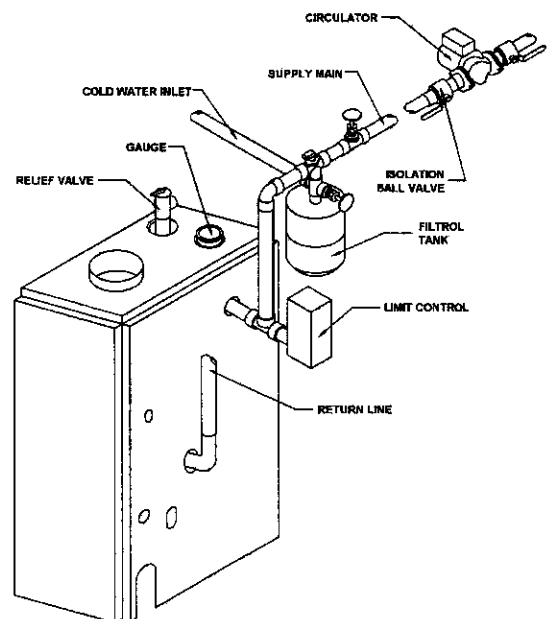


FIG. 6 - FORCED HOT WATER TYPICAL PIPING WITH ZONE CONTROL VALVE

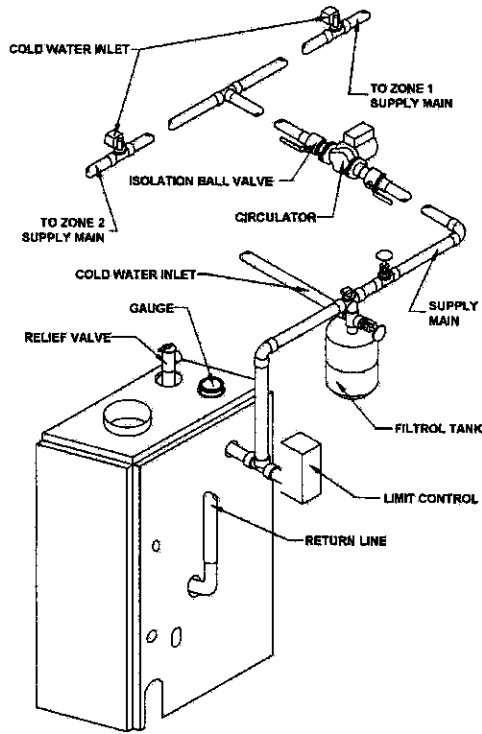
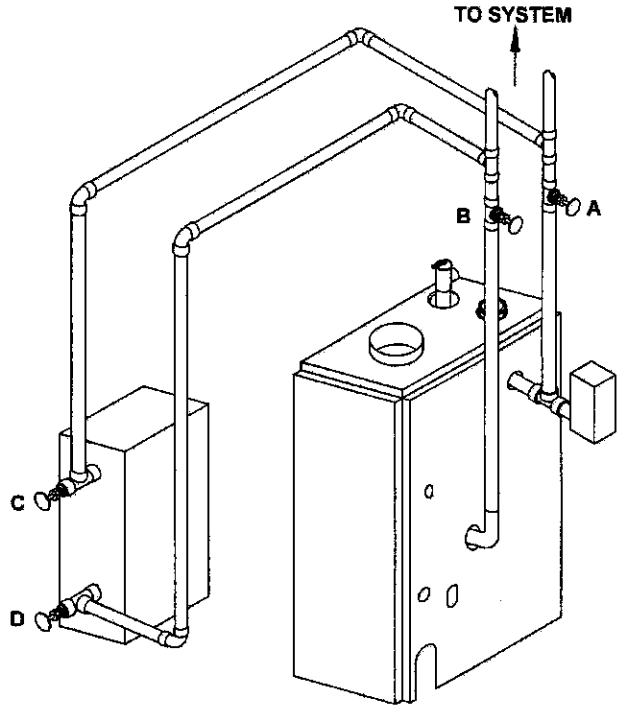


FIG. 7 - PIPING ARRANGEMENTS FOR BOILER WHEN USED IN CONNECTION WITH REFRIGERATION SYSTEM

**VALVES A & B - OPEN FOR HEATING; CLOSED FOR COOLING
VALVES C & D - CLOSED FOR HEATING; OPEN FOR COOLING**



Chimney and Vent Pipe Connection

For boilers for connection to gas vents or chimneys, vent installations shall be in accordance with Part 7, Venting of Equipment, of the National Fuel Gas Code, ANSI Z223.1-latest issue and applicable provisions of the local building codes.

CHECK YOUR CHIMNEY

This is a very important part of your heating system. It must be clean, the right size, properly constructed and in GOOD CONDITION. No boiler can function properly with a bad chimney.

1. Use local codes for installation or National Fuel Gas Code Z223.1-latest issue. In Canada, follow CSA 13149.1 or .2 Installation Codes. It is very important to properly size the venting system for induced draft appliances. **Consult the Vent Sizing Tables, in the National Fuel Gas Code ANSI Z223.1-latest revision for correct sizing information** In Canada, consult the Vent Sizing Tables, Amendment #1 to CSA-13149.1 and .2 Installation Codes.
2. The boiler's induced draft blower has a 3" outlet. A 3" X 4" increaser fitting is included in the parts bag. Locate the increaser fitting on the outlet of the induced draft blower, and secure gastight with a bead of the furnished silicone sealant. The increaser fitting is required on this boiler for Category I venting, and 4" is the minimum permissible vent diameter. This does not imply that the vent connector is intended to be 4" diameter pipe. The vent connector shall be sized according to the appropriate venting tables in the National Fuel Gas Code or the Canadian Installation Codes, and may be required to be larger than 4" diameter.

The boiler installation for chimney venting is not complete unless the 3" x 4" increaser fitting is located and secured.
3. These are high efficiency boilers with a low stack or exhaust temperature.
4. If venting into a masonry chimney without a liner, line the chimney from top to bottom with either:
 - a. listed Type B vent pipe
 - b. listed flexible vent liner
 - c. poured ceramic liner.
5. Outside chimneys should not be used unless they are either:
 - a. enclosed in a chase, or
 - b. lined with Type B vent pipe, or listed flexible vent liner, or other certified chimney lining system.
6. The vent connector from the boiler to the chimney should run as directly as possible with as few elbows as possible.
7. Where possible, it is recommended to common vent the water heater and boiler. Consult the appropriate Vent Sizing Tables in either the National Fuel Gas Code, or the Canadian Installation Codes for specific requirements of multiple appliance venting.
8. If the boiler is the only appliance connected to the vent, Type B vent pipe is recommended for the vent connector.
9. Slope pipe up from boiler to chimney not less than 1/4" per foot.
10. End of vent pipe must be flush with the inside face of the chimney flue. Use a sealed-in thimble for the chimney connection.
11. The sections of vent pipe should be fastened with sheet metal screws to make the piping rigid. Use stovepipe wires to support the pipe from above.
12. Do not connect to fireplace flue.
13. Do not install a damper on this boiler.

MINIMUM VENT PIPE CLEARANCE

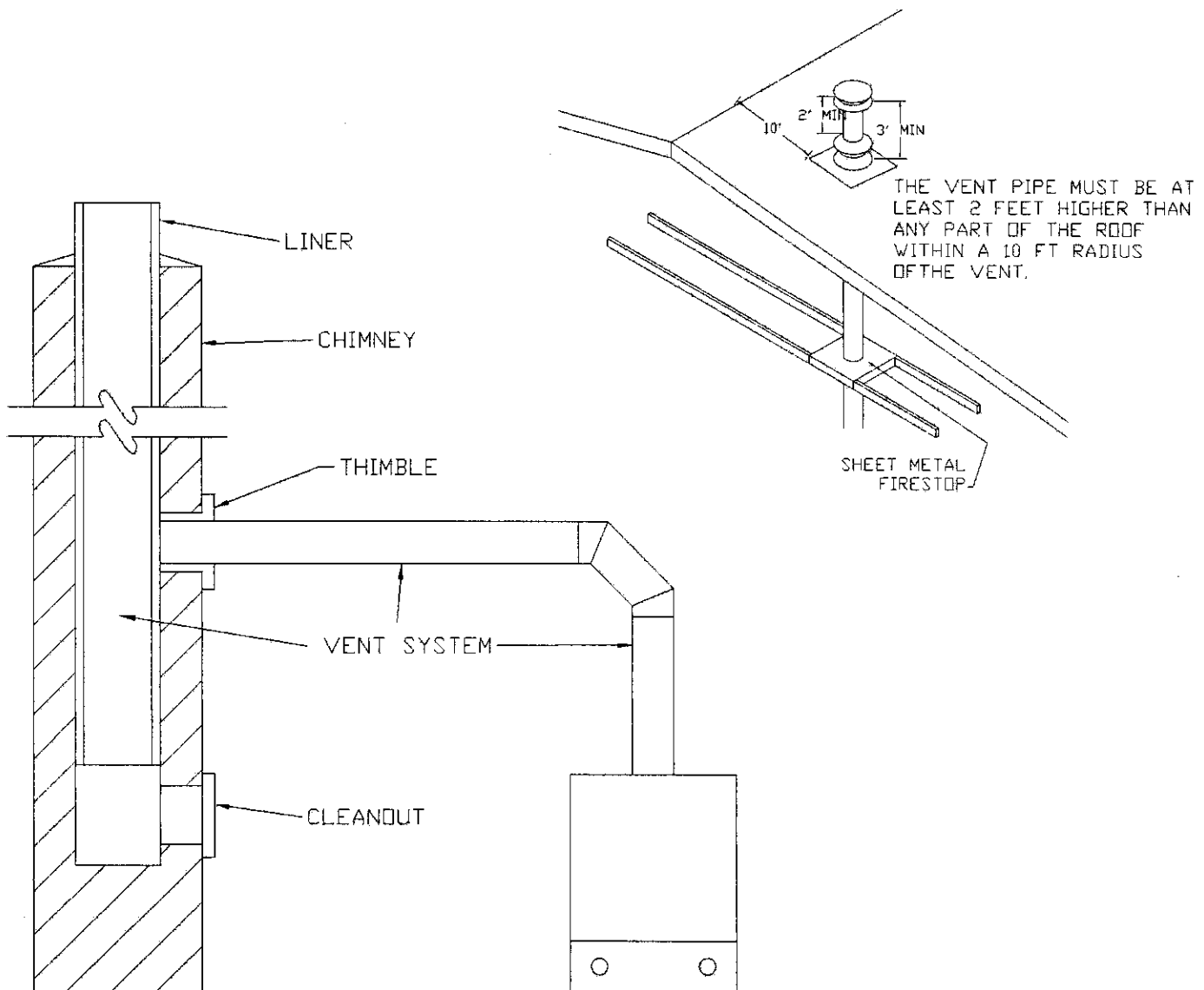
If the vent pipe must go through a crawl space, Type B vent pipe should be used. Where vent pipe passes through a combustible wall or partition, use a ventilated metal thimble. The thimble should be 4 inches larger in diameter than the vent pipe.

If boiler is installed with single wall vent, it must have a 6" clearance between its surface and any combustible material. A new Type B gas vent or flexible liner must be installed in accordance with the instructions furnished with the vent. Maintain clearances as specified for the vent pipe. Check the vent pipe to see if it is firestopped where it goes through the floor or ceiling. It should have an approved vent cap with clearances from the roof as shown in Fig. 8. If clearances are less than shown in Fig. 8, have the vent checked by local authorities.

For boilers for connection to gas vents or chimneys, vent installations shall be in accordance with Part 7, Venting Equipment, of the national Fuel Gas Code, ANSI Z223.1-latest issue and applicable provisions of the local building codes. In Canada, follow CSA 13149.1 or .2 Installation Codes.

Vent connectors serving appliances vented by natural draft shall not be connected into any portion of mechanical draft systems operating under positive pressure.

FIG. 8 - TYPE B GAS VENT



REMOVING EXISTING BOILER FROM COMMON VENTING SYSTEM

When an existing boiler is removed from a common venting system, the common venting system is likely to be too large for proper venting of the appliances remaining connected to it.

At the time of removal of an existing boiler, the following steps shall be followed with each appliance remaining connected to the common venting system placed in operation, while the other appliance remaining connected to the common venting system are not in operation.

1. Seal any unused openings in the common venting system.
2. Visually inspect the venting system for proper size and horizontal pitch and determine there is no blockage or restriction, leakage, corrosion and other deficiencies which could cause an unsafe condition.
3. Insofar as is practical, close all building doors and windows and all doors between the space in which the appliances remaining connected to the common venting system are located and other spaces of the building. Turn on clothes dryers and any appliance not connected to the common venting system. Turn on any exhaust fans, such as range hoods and bathroom exhausts, so they will operate at maximum speed. Do not operate a summer exhaust fan, Close fireplace dampers.

4. Place in operation the appliance being inspected. Follow the lighting instructions. Adjust thermostat so appliance will operate continuously.
5. Test for spillage at the hood relief opening after 5 minutes of main burner operation. Use the flame of a match or candle, or smoke from a cigarette, cigar or pipe.
6. After it has been determined that each appliance remaining connected to the common venting system properly vents when tested as outlined above, return doors, windows, exhaust fans, fireplace dampers and any other gas-burning appliance to their previous conditions of use.
7. Any improper operation of the common venting system should be corrected so the installation conforms with the National Fuel Gas Code, ANSI Z223.1-latest issue. When resizing any portion of the common venting system, the common venting system should be resized to approach the minimum size as determined using the appropriate tables in Part 11 in the National Fuel Gas Code, ANSI Z223.1-latest issue. In Canada, follow CSA B149.1 or.2 Installation Codes.

NOTE

It is recommended that existing gas vents be checked to be sure they meet local codes.

FIG. 9 - HORIZONTAL VENTING

INDUCED DRAFT HIGH EFFICIENCY BOILERS

Maximum Horizontal Vent Length For Stainless Steel Vent Pipe - 30' Plus One 90° Elbow Plus Vent Terminal

Minimum Horizontal Vent Length - 2' Plus One 90° Elbow Vent Termination

Additional elbows are equivalent to 6 feet of straight pipe for 4" diameter 90° elbow or 3 feet of straight pipe for 3" diameter 90° elbow

2, 3, 4, 5, Section Boilers use 3" vent pipe.

6, 7 Section Boilers use 4" vent pipe.

CHOICE OF VENT PIPE MATERIAL

- a) U.L. Listed Z-Flex Z-Vent Stainless Steel Vent Pipe.
- b) U.L. Listed Heat-Fab Sat-T-Vent Stainless Steel Vent Pipe.
- c) U.L. Listed Flex-L Star-34 Stainless Steel Vent Pipe.
- d) U.L. Listed ProTech Systems FasNSeal Stainless Steel Vent Pipe.

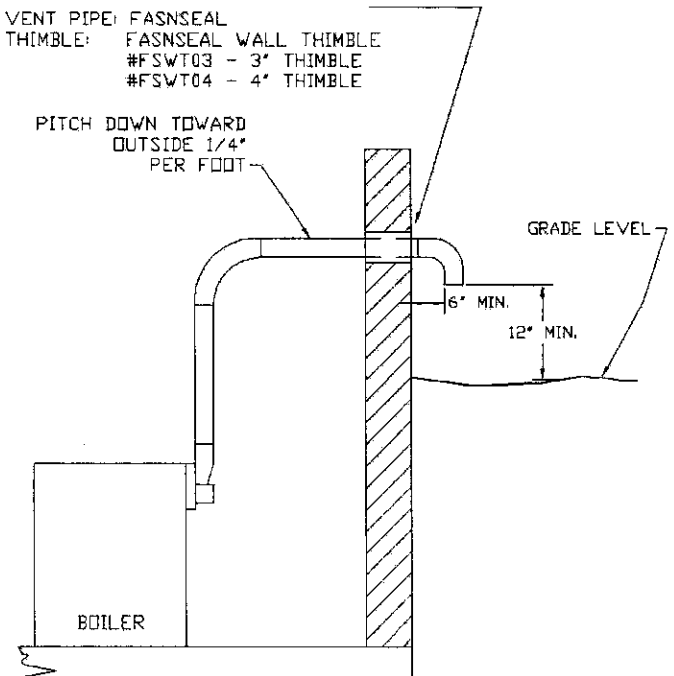
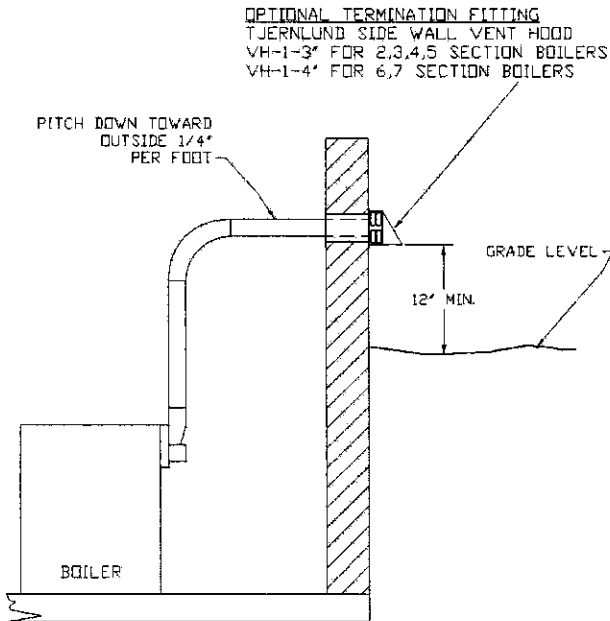
TERMINATION FITTING

90° ELBOW, POINTING DOWN, SAME MATERIAL AND PIPE SIZE AS VENTING SYSTEM. EQUIP WITH SCREEN (MIN. 1/4" MESH) TO KEEP OUT BIRDS AND RODENTS.

FOR A COMBUSTIBLE WALL, USE A THIMBLE. SELECT AS FOLLOWS:

VENT PIPE: Z-VENT, SAF-T-VENT, STAR-34
 THIMBLE: SIMPSON DURAVENT THIMBLE
 #905295 - 3" THIMBLE
 #915295 - 4" THIMBLE

VENT PIPE: FASNSEAL
 THIMBLE: FASNSEAL WALL THIMBLE
 #FSWT03 - 3" THIMBLE
 #FSWT04 - 4" THIMBLE



HORIZONTAL VENTING ACCESSORIES PART NUMBERS

DESCRIPTION	PART NUMBER
3" side Wall Vent Hood (Tjernlund VH-1-3")	146-29-010
4" side Wall Vent Hood (Tjernlund VH-1-4")	146-29-011
3" Thimble (Simpson 905295)	146-29-013
4" Thimble (Simpson 915295)	146-29-014

Horizontal Venting Instructions

1. These boilers may be vented horizontally as shown in Fig. 9. The vent pipe is pitched **down** from the boiler to the vent termination. **Do not** connect other appliances to this vent.
2. Vent Pipe Material:
 - a) UL Listed Z-Flex Z-Vent stainless steel vent pipe from boiler to vent termination,
-or-
 - b) UL Listed Heat-FabSaf-T-Vent stainless steel vent pipe from boiler to vent termination,
-or-
 - c) UL Listed Flex-L StaR-34 stainless steel vent pipe from boiler to vent termination,
-or-
 - d) UL Listed ProTech FasNSeal stainless steel vent pipe from boiler to vent termination.
3. Clearance to Combustible Materials:

For stainless steel vent pipe maintain 6" minimum air space clearance to combustible materials.
4. Vent Pipe Size:
 - a) 2, 3, 4 and 5 section boilers use 3" vent pipe connected directly to the outlet of the induced draft blower.
 - b) 6 and 7 section boilers use 4" vent pipe, starting with a 3" to 4" stainless steel vent pipe transition that is connected directly to the outlet of the induced draft blower. **Do not use 3" vent pipe on 6 or 7 section boilers.**
5. Vent Pipe Length:
 - a) For stainless steel vent pipe, the maximum horizontal vent length is 30 feet plus one 90° elbow plus termination fitting.
 - b) Minimum horizontal vent length for all vent materials is 2 feet plus one 90° elbow plus termination fitting.
 - c) For additional elbows reduce the maximum vent length as shown:
3" - 90° elbow - reduce vent length 3 feet per each 3" elbow,
4" - 90° elbow - reduce vent length 6 feet per each 4" elbow.
Example: 6 section boiler requires 3 elbows plus the termination fitting. This means 2 additional 4" elbows will be used, at 6 feet per elbow. This is equivalent to 12 feet of pipe (2 x 6 = 12), therefore maximum vent length is now 18 feet (30 - 12 = 18).
6. Vent Termination Fitting:

For all vent pipe materials, you may use either:

 - a) a 90° elbow pointing down, fitted with a minimum 1/4" mesh screen to keep out rodents and birds. The elbow shall be of the same material and size as vent pipe. The elbow exit should be at least 6" away from exterior wall as shown in Figure 9.
-or-
 - b) Tjernlund VH-1 Series side wall vent hood. For 2, 3, 4, 5 section boilers use VH-1-3", For 6, 7 section boilers use VH-1-4".
7. Vent Pipe Termination Location:
 - a) When venting through combustible walls, combustible clearances must be considered. The **VH-1 Side wall vent hood** provides both the outside vent termination and a double wall pipe for passing through a combustible wall up to 8" thick (VH-1-4") or 9" thick (VH-1-3"). The hole in the wall must be 6 7/8" square for 3" vent pipe and 7 1/2" square for 4" vent pipe, in order to insert the VH-1 side wall vent hood. The VH-1 may also be used in noncombustible walls.
 - b) If the **90° elbow** is the termination fitting of choice, then the single wall pipe will be passing through the side wall. For combustible walls, a UL listed thimble shall be used where the single wall pipe passes through the wall. For combustible walls using Z-Vent, Sat-T-Vent, or StaR-34 vent pipe, use the following:
3" vent pipe - use Simpson's Duravent #905295 3" thimble or equivalent
4" vent pipe - use Simpson's Duravent #915295 4" thimble or equivalent
Maximum wall thickness with this thimble is 7 inches.
For combustible walls using ProTech FasNSeal where the single wall vent pipe must pass through the side wall, a UL Listed FasNSeal wall thimble shall be used as follows:
3" FasNSeal vent pipe - use 3" FasNSeal Wall Thimble #FSWT03
4" FasNSeal vent pipe - use 4" FasNSeal Wall Thimble #FSWT04
The thimble is adjustable for different wall thickness, with a maximum wall thickness of 7 inches. Seal the thimble along the outside edge of the plate with caulk or silicone and fasten to the wall with screws or nails.

- c) For single wall pipe through non-combustible walls, the hole through the wall need only be large enough to maintain the pitch of the vent pipe, and provide proper sealing. A thimble is not required for single wall pipe passing through noncombustible walls.
- d) The venting system shall terminate at least 3 feet above any forced air inlet located within 10 feet. The venting system shall terminate at least 4 feet below, 4 feet horizontally from, or 1 foot above any door, window, or gravity air inlet into any building. The bottom of the vent shall be located at least 12 inches above grade. Termination of the vent shall be not less than 7 feet above an adjacent public walkway. The vent terminal shall not be installed closer than 3 feet from the inside corner of an L shaped structure. Termination of the vent should be kept at least 3 feet away from vegetation. The venting system shall terminate at least 4 feet horizontally from, and in no case above or below, unless a 4 foot horizontal distance is maintained, from electric meters, gas meters, regulators, and relief equipment.
- e) The venting system shall terminate at least 4 feet below any eave, soffit, or roof overhang.
- f) The venting system shall not terminate underneath any deck, patio, or similar structure.
- g) Put vent on a wall away from the prevailing winter wind. Locate or guard the vent to prevent accidental contact with people or pets.
- h) Terminate the vent above normal snowline. Avoid locations where snow may drift and block the vent. Ice or snow may cause the boiler to shut down if the vent becomes obstructed.
- i) Under certain conditions, flue gas will condense, forming moisture. In such cases, steps should be taken to prevent building materials at the vent terminal from being damaged by exhaust of flue gas.

8. Joining and Sealing the Vent Pipe:

The vent pipe needs to be both watertight and gastight. Seal all joints and seams as follows:

A. For Z-Flex Z-Vent stainless steel vent pipe use a high temperature red silicone sealant rated for 500°F. The outside of the male end and inside of the female end of the pipe must be cleaned with brake cleaner before applying silicone bead.

For 3" vent pipe runs begin with the male end of the vent pipe over the boilers induced draft blower outlet. For 4" vent pipe runs begin with a 6" length of 3" Z-Vent (#02SVEPxx0306) over the boiler's induced draft blower outlet, to which an even bead of high temperature silicone sealant should be applied. Then connect the 3" Z-Vent to a Z-Vent 3" to 4" reducer (#02SVEXxx0403). Then continue the 4" Z-Vent pipe run by connecting the 4" male end of the Z-Vent to the reducer. (A locking band may be used around this joint for additional support.) Then following the sealing instructions, push the 4" male end of the Z-Vent over the 4" increaser fitting. When using the Tjernlund VH-1 vent hood, the female end (flared end) of the vent pipe will be connected to the termination hood. The male end of the vent hood must be crimped before pushing the Z-Vent over the vent hood's connecting pipe. Before the pipes are joined, apply a 1/4" bead of silicone one inch from the end of the male end. Then push the pipes together as far as they will go making sure any seams are aligned and oriented upward. Now apply another bead of silicone around this joint and smooth out. Then use a Z-Flex locking band around the center of the joint.

<u>Z-Flex Z-Vent Size</u>	<u>Locking Band Part #</u>
3"	#02SVSLBX03
4"	#02SVSLBX04

- 1) Apply the high temperature silicone approximately one inch from the end, around the male end of the pipe in an even 1/4" bead.
- 2) Pipes can now be pushed together as far as they will go. The seams on pipe should be aligned and oriented upward in all horizontal appliances. Apply another bead of silicone around this joint and smooth out.
- 3) Slide locking band over center of joint and tighten gear clamps. Make sure locking band is centered on joint.
- 4) Check all joints and seams for gas tightness.
- 5) Horizontal venting shall have a slope not less than 1/4" (6.4mm) every 12 inches (305mm) downward away from the boiler to prevent collection of condensate throughout the assembly.
- 6) Allow the sealant to cure for 24 hours before operating the appliance.

B. For Heat-Fab Saf-T-Vent stainless steel vent pipe use a high temperature red silicone sealant rated for 500°F. The outside of the male end and inside of the female end of the pipe must be cleaned before applying the silicone bead. For 3" vent pipe runs, the male end of the vent pipe which goes over the outlet of the boiler's induced draft blower must be crimped. The vent pipe should be crimped as minimal as possible to provide a tight fit over the outlet. After crimping is completed follow the instructions for applying silicone sealant. For 4" vent pipe runs, begin with a Saf-T-Vent 3" to 4" increaser fitting (#7374GC) over the boiler's induced draft blower outlet, to which an even bead of high temperature silicone sealant should be applied. Then continue the 4" Saf-T-Vent pipe run by connecting the 4" male end of the Saf-T-Vent to the increaser. (A locking band may be used around this joint for additional support.) The vent flow must be in the direction indicated on the vent pipe. When using the Tjernlund VH-1 vent hood, the female end (flared end) of the vent pipe will be connected to the termination hood. Apply high temperature silicone in an even 1/4" bead approximately 1/4" to 3/8" from the end of the vent hood's connecting vent pipe. Also, run a similar size bead of silicone sealant down the seam weld of the vent pipe. Then push the female end over the vent hood's connecting vent pipe.

- 1) Apply the high temperature silicone around the male end of the pipe (without the tabs) in an even W' bead. Silicone bead should be approximately 1/4" to 3/8" from the end of the male end. Also, run a similar size bead of silicone sealant down the seam weld at the end of each joint.
- 2) Pipes can now be pushed together as far as they will go. The seams on the vent pipe should be aligned and oriented upward in all horizontal appliances. With a moistened finger or flat tool, spread any sealant that squeezes out around the circumference of the joint.
- 3) Attach the sections together with the locking rings and tabs (except at the blower outlet where no locking ring exists.)

Inspect the joint to ensure that flue gases will not leak. If necessary apply additional sealant around the joint.

- 4) Horizontal venting shall have a slope not less than 1/4" (6.4mm) every 12 inches (305mm) downward away from the boiler to prevent collection of condensate throughout the assembly.
- 5) Allow the sealant to cure for 24 hours before operating the appliance.

C. For Flex-L StaR-34 stainless steel vent pipe use a high temperature red silicone sealant rated for 500°F. Before applying silicone, the outside of the male end and inside of the female end of the pipe must be cleaned using a cleaner, such as methyl ethyl ketone (MEK) or naphtha. For 3" vent pipe runs, begin with the male end of the vent pipe over the boiler's induced draft blower outlet. For 4" vent pipe runs begin with a StaR-34 3" to 4" increaser fitting (#SR10304) over the boiler's induced draft blower outlet. For both 3" and 4" vent pipe runs, apply a bead of silicone sealant around the blower outlet and around the inside of the male end of vent pipe going over the blower's outlet. When using the Tjernlund VH-1 vent hood, the female end (flared end) of the vent pipe will be connected to the termination hood. Apply high temperature silicone in an even 1/4" bead approximately 1/4" from the end of the vent hood's connecting vent pipe. Also, run a similar size bead of silicone sealant down the seam weld of the vent pipe. Then push the female end over the vent hood's connecting vent pipe. Now fill in the channel inlet with silicone sealant. Do not try to insert the joiner band, instead fasten the vent pipe to the vent hood's pipe with a steel gear clamp.

- 1) Apply the high temperature silicone around the male end of the pipe in an even 1/4" bead. Silicone bead should be approximately 1/4" from the end of the male end. Also, run a similar size bead of silicone sealant down the seam weld at the end of each joint.
- 2) The seams on the vent pipe should be aligned and oriented upward in all horizontal vent pipe runs.

- 3) Insert the male end of one into the female end of the other. Push the pipe together so the female end rests up against the stop bead of the male end.
- 4) Insert a StaR-Joiner Band into the inlet of the beaded channel. Feed the Joiner Band in so it makes its way around the pipe, back to the channel inlet and it overlaps itself by about 1/2".
- 5) Cut the excess Joiner Band so it lays flat in the beaded channel. Fill the inlet of the beaded channel with high temperature silicone. Smooth out the silicone over the channel inlet and the silicone between the female end and the stop bead of the male end.
- 6) Horizontal venting shall have a slope not less than 1/4" (6.4mm) every 12 inches (305mm) downward away from the boiler to prevent collection of condensate throughout the assembly.
- 7) Allow the sealant to cure for 24 hours before operating the appliance.

D. For ProTech Systems FasNSeal stainless steel vent pipe no cleaning fluid is required. For 3" vent pipe runs on 2, 3, 4 and 5 section boilers begin by locating the FasNSeal Ametek Adapter (part #FSAMETEK) over the boiler's induced draft blower. Continue the vent pipe run with 3" FasNSeal vent pipe. For 6 and 7 section boilers begin by locating the FasNSeal Ametek Adapter (part #FSAMETEK) over the boiler's induced draft blower. Then connect a FasNSeal 3" to 4" increaser (part #FS341) to the 3" adapter outlet. Continue the vent pipe run with 4" FasNSeal vent pipe. Other than the Ametek Adapter and increaser fitting, **DO NOT** use 3" vent pipe on 6 or 7 section boilers. FasNSeal vent pipe is joined and sealed by the use of an internal sealing gasket and a locking band on the female end of each vent pipe. All components should be examined for possible shipping damage prior to installation. Align all vent pipe seams and orient upward in all horizontal applications. Adjustable vent lengths are available for 4" diameter vent piping. For 3" diameter vent piping, square cut male end at the desired length. For 2, 3, 4 and 5 section boilers using the VH-1-3" vent hood, connect the FasNSeal Vent to the VH-1-3" vent hood using FasNSeal Adapter #FSC-DUN-3. This adapter has no internal sealing gasket.

To attach the adapter to the vent hood, crimp the 3" vent hood pipe, apply a 1/4" bead of high temperature red silicone sealant around the outside of the vent hood's crimped connecting pipe and a similar bead of high temperature silicone around the inside of the FasNSeal adapter. After pressing the two pipes together and tightening the locking band, finish creating a complete seal by filling the FasNSeal adapter's notched hole with high temperature silicone.

For 6 and 7 section boilers using the VH-1 -4" vent hood, an adapter is not required. The 4" FasNSeal vent pipe connects directly to the VH-1-4" vent hood, and is joined and sealed by the internal gasket and locking band.

To join and seal the FasNSeal vent pipe:

- 1) Insert male end into female section.
- 2) Push the units together as far as possible.
- 3) Firmly tighten locking band with a nut driver.
- 4) **DO NOT** penetrate the FasNSeal vent pipe with fasteners.
- 5) Horizontal venting shall have a slope of not less than 1/4" (6.4mm).every 12 inches (305mm) downward away from the boiler to prevent the collection of condensate throughout the assembly.

9. Support Spacing:

Do not restrict thermal expansion movement of the vent. The vent pipe must expand and contract freely with temperature change. Each run of vent piping shall be supported as follows:

- a) Z-Flex stainless steel vent piping requires a loose fitting metal strap or similar support at each joint at a maximum of 4 feet between supports.
- b) Heat-Fab stainless steel vent piping requires a support for every 6 feet of horizontal piping run. The support must be secured using at least #10 fasteners to a solid material (solid masonry or woodframing or blocking.) Do not fasten to drywall sheathing using hollow wall anchors. Each support will be 1 1/2 inch lower than the previous support when spaced 6 feet apart.
- c) Flex-L stainless steel vent piping requires a loose fitting metal strap or similar support at each joint at a maximum of 4 feet between supports.

- d) ProTech stainless steel vent piping requires one loose fitting FasNSeal support strap (#FSSH) for every 6' of horizontal vent.
10. If the horizontal vent must go through a crawl space or other unheated space, the cool temperatures will likely cause the flue gases to continuously condense inside the vent pipe. Do not insulate the vent pipe. It must be visible for monthly inspection. Insure that the vent pipe is properly pitched away from the boiler, with no low spots, so that condensate in the

vent will drain away from the boiler. An insulated enclosure or chase, with access for inspection and servicing of the vent, may be required to prevent freezing of liquid condensate. Consult the vent pipe manufacturer's instructions for specific guidelines.

11. At the beginning of each heating season and monthly during the heating season, check all vent pipes and the vent terminal to make sure there are no obstructions. Periodically clean the screen in the vent terminal.

Optional Horizontal Venting Instruction

Horizontal venting with a power venter is an alternate method of sidewall venting. This boilers CSA listed for sidewall venting with standard single wall galvanized or Type B vent pipe when using the following power venter kits, which were specifically sized for these boilers:

<u>Number of Boiler Sections Kit</u>	<u>Field Controls Power Venter</u>
2, 3, 4, 5	SWG-4D
6, 7	SWG-5D

Some possible reasons for using a power venter for sidewall venting:

1. May be preferred by local codes.
2. Need a vent piping run beyond 30' (but not more than 50').
3. The boiler installation site experiences gusting or high winds. A power venter can help prevent the boiler from short cycling due to gusting or high winds by providing vent exhaust pressures greater than the boiler's induced draft blower alone.
4. When installers or homeowner's prefer a negative pressure vent system instead of a positive pressure vent system.
5. May be more cost effective than stainless steel venting, particularly at longer vent lengths.

The Field Controls power vent kit includes either a SWG-II-4HD or SWG-II-5 power venter, a MG-1 4" barometric draft controller, and the CK-43D controls kit.

Confirm that installing a power venter is an option allowed by local codes. Follow the specific power venter installation instructions issued with the power venter kits. Although the power venter is equipped with its own fan, the fan on the boiler remains in place and is unaltered when a power venter is used. When sidewall venting, flue gases must be vented to a point in relation to the prevailing wind so that they may freely disperse without being blown back at the building causing discoloration, or into the building through doors or windows causing odors. Also, under certain conditions flue gases will condense, forming moisture. In such cases, steps should be taken to prevent building materials at the vent terminal from being damaged by the exhausted flue gas. When installing single wall galvanized vent pipe for power venting follow the specific power venter installation instructions for layout, location of the barometric draft control and termination connections. When joining and sealing the single wall galvanized or Type B vent piping, use RTV silicone sealant with a minimum temperature rating of 400°F. For 3" vent pipe runs, begin with the female end of the vent pipe over the boiler's induced draft blower outlet. For 4" vent pipe runs begin with the galvanized 3" to 4" increaser fitting (included in the boiler's parts bag) over the induced draft blower outlet. Then follow by placing the female end of the 4" vent pipe over the increaser fitting. When joining pieces of single wall galvanized vent pipe, a substantial bead of silicone should be used at the joint to insure a leakproof connection.

Gas Supply Piping

CHECK GAS SUPPLY

The gas pipe to your boiler must be the correct size for the length of the run and for the total BTU per hour input of all gas utilization equipment connected to it. See Fig. 10 for the proper size. Be sure your gas line complies with local codes and gas company requirements.

The boiler and its individual shutoff valve must be disconnected from the gas supply piping system during any pressure testing of that system at test pressures in excess of 1/2 psig (3.5 kPa).

The boiler must be isolated from the gas supply piping system by closing its individual manual shutoff valve during any pressure testing of the gas supply piping system at test pressures equal to or less than 1/2 psig (3.5 kPa).

CONNECTING THE GAS PIPING

Refer to Fig. 11 for the general layout at the boiler. It shows the basic fittings you will need. The gas line enters the boiler from the right side.

The following rules apply:

1. Use only those piping materials and joining methods listed as acceptable by the authority having jurisdiction, or in the absence of such requirements, by the National Fuel Gas Code, ANSI ZY223.1-latest revision. In Canada, follow the CSA B149.1 and .2 Installation Codes for Gas Burning Appliances and Equipment.
2. All pipe compound must be resistant to liquefied petroleum gas.
3. Install ground joint union in gas supply line between shut-off valve and boiler controls.
4. Install a sediment trap upstream of gas controls.
5. Use two pipe wrenches when making the connection to the gas valve to keep it from turning.
6. Install manual shut-off valve in vertical pipe about 5 feet above floor.
7. Tighten all joints securely.
8. Propane gas connections should only be made by a licensed propane installer.
9. Two-stage regulation should be used by the propane installer.
10. Propane gas piping should be checked out by the propane installer.

CHECKING THE GAS PIPING

Upon completion of piping, check right away for gas leaks. Open the manual shut-off valve. Test for leaks by applying soap suds (or a liquid detergent) to each joint. Bubbles forming indicate a leak. **CORRECT EVEN THE SMALLEST LEAK AT ONCE.**

WARNING

Never use a match or open flame to test for leaks.

FIG. 10 - GAS PIPE SIZES

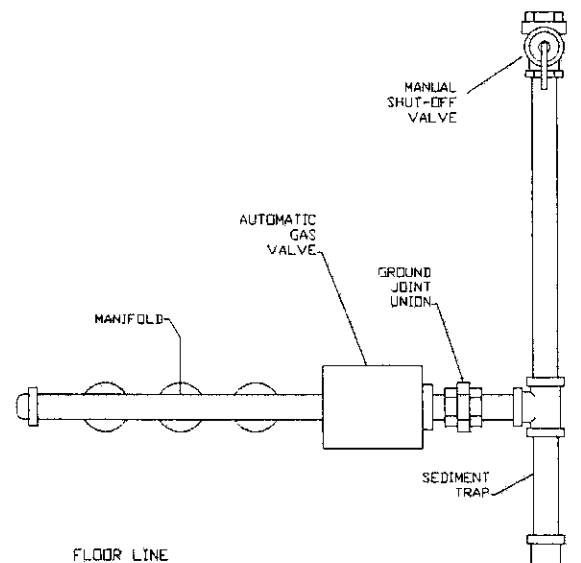
NATURAL GAS				
Length of Pipe - Ft.	Pipe Capacity - BTU Per Hour Input Includes Fittings			
	1/2"	3/4"	1"	1 1/4"
20	92,000	190,000	350,000	625,000
40	63,000	130,000	245,000	445,000
60	50,000	105,000	195,000	365,000

PROPANE GAS				
Length of Pipe - Ft.	Pipe Capacity - BTU Per Hour Input Includes Fittings			
	Copper Tubing*		Iron Pipe	
	5/8"	3/4"	1/2"	3/4"
20	131,000	216,000	189,000	393,000
40	90,000	145,000	129,000	267,000
60	72,000	121,000	103,000	217,000

*Outside diameter

The length of pipe or tubing should be measured from the gas meter or propane second stage regulator.

FIG. 11 - GAS PIPING AT BOILER



Electrical Wiring

All electrical work must conform to local codes as well as the National Electrical Code, ANSI/NFPA-70, latest revision. In Canada, electrical wiring shall comply with the Canadian Electrical Code, CSA-C22.1.

ELECTRIC POWER SUPPLY

Run a separate 120 volt circuit from a separate overcurrent protective device in the electrical service entrance panel. This should be a 15 ampere circuit. Locate a shut-off switch at the boiler. It must be turned off during any maintenance. Connect 120 volt power supply to aquastat terminals L1 (HOT) and L2.

The boiler, when installed, must be electrically grounded in accordance with the requirements of the authority having jurisdiction or, in the absence of such requirements, with the National Electrical Code, ANSI/NFPA No. 70-latest revision. Run a 14 gauge or heavier copper wire from the boiler to a grounded connection in the service panel or a properly driven and electrically grounded ground rod.

WARNING

Turn off electric power at fuse box before making any line voltage connections. Follow local electrical codes.

INSTALL YOUR THERMOSTAT

The thermostat location has an important effect on the operation of your boiler system. BE SURE TO FOLLOW THE INSTRUCTIONS INCLUDED WITH YOUR THERMOSTAT. Locate the thermostat about five feet above the floor on an inside wall. It may be mounted directly on the wall or on a vertically mounted outlet box. It should be sensing average room temperature, so avoid the following:

DEAD SPOTS:

- Behind doors
- Corners and alcoves

HOT SPOTS:

- Concealed pipes
- Fireplace
- TV sets
- Radios
- Lamps
- Direct sunlight
- Kitchens

COLD SPOTS:

- Concealed pipes or ducts
- Stairwells - drafts
- Doors - drafts
- Unheated room on other side of wall

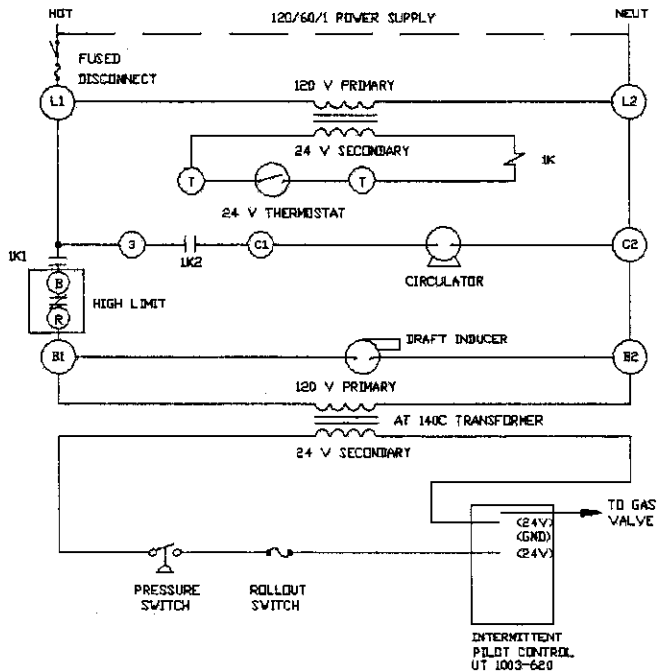
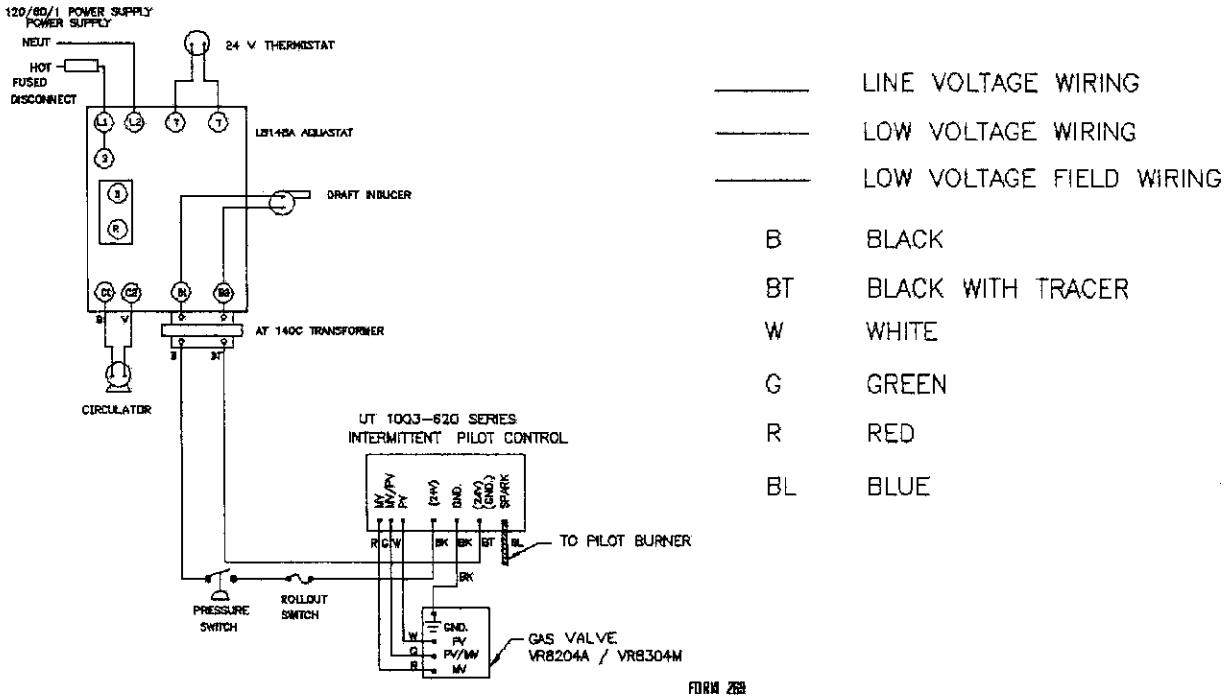
Set heat anticipator at .2 amps. 24 volt thermostat connects to aquastat terminals T and T

Sequence of Operation

1. Thermostat calls for heat, powering the 1K relay coil and closing contacts 1 K1 and 1 K2.
2. Circulator pump is powered through terminals C1 and C2. 3. Induced draft blower and AT140C transformer primary are powered through terminals B1 and B2.
4. When blower gets up to speed and blower suction pressure reaches pressure switch setpoint, pressure switch contacts close sending 24 volts to S8600 intermittent pilot control from AT140C transformer secondary.
5. Pilot gas valve opens and spark initiates to light pilot burner. 6. When pilot flame is proven, spark drops out.
7. Main gas valve opens and pilot burner ignites main burners.
8. If boiler water temperature reaches high limit setpoint, high limit contacts B-R open, cutting power to blower and S8600 intermittent pilot control.
9. Burners extinguish and blower stops. Circulator pump continues to run as long as the thermostat continues to call for heat. When boiler water temperature drops past the high limit setpoint and through the differential, high limit contacts B-R close, repeating steps 3-7.
9. If venting system becomes blocked, blower suction pressure will drop below the pressure switch setpoint, opening the pressure switch contacts and cutting power to the S8600 intermittent pilot control. Burners will extinguish, but blower will remain powered as long as the thermostat continues to call for heat. If venting system clears, steps 4-7 will repeat.
10. Thermostat is satisfied, ending call for heat. Relay coil 1 K is de-energized, opening 1K1 and 1K2 contacts. Burners extinguish. Blower and circulator pump stop.

FIG. 12 - WIRING DIAGRAMS FOR HOT WATER BOILERS

INTERMITTENT IGNITION



IF ANY OF THE ORIGINAL WIRE AS SUPPLIED WITH THIS APPLIANCE MUST BE REPLACED, IT MUST BE REPLACED WITH TYPE 105° C THERMOPLASTIC WIRE OR ITS EQUIVALENT.

NOTE: The circulator harness is factory wired to the aquastat. This harness needs to be connected to the circulator in the field.

Equipment and Optional Accessories - What They Do

RELIEF VALVE

You must have a relief valve on your boiler. Water expands as it is heated. If there is no place for the water to expand into, water pressure will build up inside the boiler and system. Should this happen, the Relief Valve will automatically open at a pre-determined pressure. This will relieve the strain on the boiler and system. Run a pipe from the relief valve outlet (pipe must be same size as outlet and the open end must not be threaded) to an open drain, tub or sink, or other suitable drainage point not subject to freezing. Failure to do so may cause water damage or injury should relief valve release.

EXPANSION TANK (Optional)

In a properly assembled system, the expanding water flows into an Expansion Tank. This tank should be of the correct size.

The tank is filled with air. As the water expands it compresses the air in the tank to form an air pressure cushion. This "spring-like" cushion serves to maintain correct operating water pressure regardless of water temperature. This assures a "full measure" of water, even in the highest radiation unit of the system. It also prevents blowing off of the relief valve.

The air in the tank in the beginning (with system filled with cold water) is sufficient for proper operation. The tank also serves as a trap for excess air in the system. The air would cause gurgling in the pipes and inefficient circulation in the radiators if left in the system.

It is possible for a tank to become "waterlogged" (filled with water). It can also become overfilled with air. This can happen after filling the system with new water. Fittings provided on the tank and in the line to the tank are for bleeding off excess water or air.

When installing this tank, it is important: 1) That the tank be higher than the boiler top. 2) That the pipe to the tank continuously rises up to the tank (so that air can "bubble" up to it).

DIAPHRAGM TYPE EXPANSION TANK (Optional)

The Diaphragm Type Expansion Tank (EX-TROL) takes the place of the conventional expansion tank. Carefully read the instructions packed with your EX-TROL Tank Assembly.

The EX-TROL Tank comes to you with a 10-12 pounds per square inch air charge. This is the same as the pressure produced in the system by the automatic fill valve. When the system is first filled, the EX-TROL Tank will contain little or no water.

As the water is heated its pressure increases. It expands into the EX-TROL Tank, compressing the air in the tank. This compressed air cushion permits the water in the system to expand as the temperature changes.

AIR ELIMINATING FITTING (AIR PURGER) (Optional)

An Air Purger is used to remove excess air from the system. It is installed in the supply line. It will help to eliminate air from the water before it reaches the radiators and bleed off this air.

MAIN AIR VENT FOR DOWN FLOW SYSTEMS OR DIAPHRAGM TYPE EXPANSION TANK (Optional)

Before a system is filled with water, there is air in the pipes and radiation units. Some of it will be trapped as the system is filled. It is possible to eliminate most of this air through the air vents on the radiation units. A Main Air Vent will speed and simplify this. It should be installed on the highest point in the main when all radiation is below top of boiler.

AUTOMATIC FILL VALVE (Optional)

For safe, efficient operation, a hot water system must be filled with water. Adding new water, when needed can be done manually (by use of a hand valve in the water supply line). This requires regular attention to the system's needs. An Automatic Fill Valve accomplishes this without attention. It is installed in the Supply Line on hot water boilers only. The Valve operates through water pressure differentials. It does not require an electrical connection.

DRAIN VALVE

This manual valve provides a means of draining all water from the boiler and system. It is often installed in the $\frac{3}{4}$ " tapping at the bottom of the left boiler section. Or it can be installed in a tee where the return line enters the boiler.

WATER TEMPERATURE CONTROL

The water temperature limit control in the relay is adjustable and may be set as necessary. It may be set as low as 140° F, or as high as 240° F This depends on the type and amount of radiation involved and weather conditions.

CIRCULATING PUMP

Every Forced Hot-Water System requires a Circulating Pump. A separate pump or zone valve is required for each Zone, if you have a two or more Zone System. This pump must have the capacity to provide the circulation required by your system.

The pump does not come pre-installed on the boiler. It must be connected to the circulator harness in the field according to the pump manufacturer's instructions and the wiring diagrams in this manual.

BLOWER (DRAFT INDUCER)

The blower provides a means for pulling air through the boiler and exhausting the flue gasses into the vent system. The blower shuts off when the burners are not firing. This keeps heat in the house rather than having it go up the chimney.

PRESSURE SWITCH

The air pressure switch works on a negative pressure. When the blower comes on the air

pressure switch operates the intermittent pilot and gas valve. The air pressure switch is factory set and will only work when the blower operates properly. It will not allow the boiler to come on if the blower does not generate enough pressure or if the venting system is blocked.

FACTORY PRESSURE SWITCH SETPOINT:

-0.4" wc. for 2-5 section boilers.

-0.5" w.c. for 6-7 section boilers.

ROLLOUT SWITCH

(FLAME ROLLOUT SAFETY SHUTOFF)

The rollout switch is a temperature-sensitive fuse link device. It is located on the boiler base just outside the fire box. In the event of heat exchanger flueway blockage causing flame to roll out of the fire box, the fuse will blow, shutting down the flow of gas to the main burners. The fuse does not change in appearance when blown,

If the rollout switch blows, it must be replaced with an exact replacement. Check heat exchanger flueways for blockage when restoring system to operating condition. Do not operate system without a rollout switch.

Starting Your Boiler

HOW A HOT -WATER SYSTEM OPERATES

Your entire heating system (boiler, piping and radiation units) is filled with water. As the water in the boiler is heated, it is pumped from the top of the boiler through the supply main to the radiation units. The cooler water in them flows back through the return main to the boiler. This provides positive and rapid response to the thermostat.

FILLING SYSTEM WITH WATER

Close the Air Vents on all radiation units. Open the Valves to these units. Make sure the boiler and Expansion Tank Drain Cocks are closed. The Air Bleed Screw on the tank Drain Fitting should be closed. Open the valve in the line from the boiler to the expansion tank (see page 15 for additional information). Open the water inlet to your boiler and leave it open. Start with the **lowest** radiation unit. Open the air vent on this unit. When all the air has escaped and water starts to flow from the vent, close it. Go to the next radiation unit, and repeat this process. Repeat until you have covered every radiation unit in the system (ending up at the highest unit in the system). If your units have automatic vents, this manual venting is unnecessary but it will speed up the proper filling of your system.

If your system is a closed expansion tank system, you may have an Automatic Fill Valve. You may leave it open to refill the system automatically as needed. Check the temperature-pressure gauge. Note the position of the hand indicating pressure. This should be between 10 and 15 lbs. Any lowering of this movable hand below 10 lbs. will indicate loss of water due to leakage. The automatic fill valve should compensate for this. Instructions are packaged with the valve.

WARNING-Never run water into a hot empty boiler.

FOR YOUR SAFETY READ THIS BEFORE OPERATING

1. This appliance is equipped with an ignition device which automatically lights the burner. Do not attempt to light the burner by hand.

WARNING: If you do not follow these instructions exactly, fire or explosion may result with property damage, personal injury, or loss of life.

2. BEFORE OPERATING smell all around the appliance area for gas. Be sure to smell next to the floor because some gas is heavier than air and will settle on the floor.

WARNING: IF YOU SMELL GAS:

Do not attempt to operate any appliance, do not touch any electrical switch, do not use the phone.

Leave the building immediately and call your gas supplier.

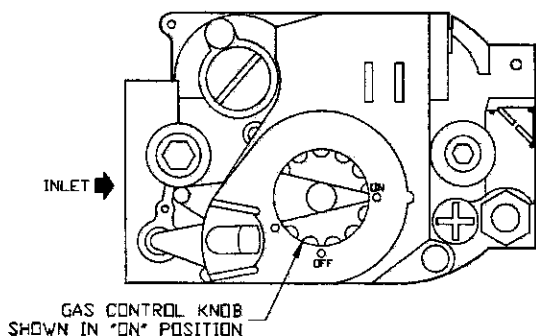
If your gas supplier cannot be reached, call the fire department.

3. **WARNING: When turning or depressing the gas control knob, use only your hand to push down or turn the knob. Never use tools. If the knob will not operate by hand, the control must be replaced by a qualified service technician. Force or attempted repair may result in a fire or explosion.**
4. **WARNING: If any part of this appliance has been under water, do not operate. Immediately call a qualified service technician to inspect the appliance and to replace any part of the gas control system which has been under water.**


OPERATING INSTRUCTIONS

1. Set the thermostat to lowest setting.
2. Turn off all electric power to the appliance.
3. This appliance is equipped with an ignition device which automatically lights the burner. Do not attempt to light the burner by hand.
4. Remove burner access panel.
5. Depress gas control knob slightly and turn clockwise to "OFF" position.


FIG. 13



NOTE: Knob cannot be turned to "OFF" unless knob is depressed slightly. Do not force.

6. **WARNING:** Wait five (5) minutes to allow any gas in the combustion chamber to vent. If you then smell gas in the appliance area or near the floor, do not touch any electrical switch, do not use the phone. Leave the building immediately and call your gas supplier. If your gas supplier cannot be reached, call the fire department. Failure to do so may result in a fire or explosion. If you don't smell gas, go to next step. 
7. Turn gas control knob counterclockwise to "ON."
8. Turn on all electric power to the appliance.
9. Set thermostat to desired setting.
10. After visually inspecting the flame, replace the lower front panel.
11. **WARNING:** if the appliance will not operate after several tries, turn the gas control knob to "OFF" and call your service technician or gas supplier.

TO TURN OFF APPLIANCE

1. Set the thermostat to lowest setting.
2. Turn off all electric power to the appliance if servicing is to be performed.
3. Depress gas control knob slightly and turn clockwise  to "OFF" position. Do not force.

Checking and Adjusting

GAS VALVE SAFETY SHUTDOWN TEST

With main burners firing, disconnect the ignition cable from the intermittent pilot control box. The gas valve should shut off the main burners. **TURN OFF ELECTRIC POWER** to boiler before reconnecting ignition cable, to prevent electric shock.

ADJUST PILOT BURNER

1. Remove screw cover over pilot adjusting screw.
2. Insert small screwdriver and adjust flame as needed. (Fig. 14). Turn screw counterclockwise to increase flame, clockwise to decrease (Fig. 15).
3. Replace screw cover over pilot adjusting screw.

MAIN BURNER(S)

The main burners do not require primary air adjustment and are not equipped with primary air shutters. Main burner flames should form sharp blue inner cones in a softer blue outer mantel, with no yellow. Puffs of air from blowing on the flame or stamping on the floor will cause the flames to turn orange momentarily. This is not unusual. Remain still when observing the main burner flames. If the flame appearance is not correct, check main burner orifices and the burner throat and flame ports for dust and lint obstruction. It may be necessary to remove the rollout shield to observe the main burner flames. Replace rollout shield after observation. Refer to Figure 16.

ADJUST LIMIT CONTROLS

Instructions for each control are included with the controls

RECOMMENDED BOILER WATER TEMPERATURES	
Type of Heating Unit	Limit Control Setting
Standing Radiators.....	180°F
Baseboard and Convector Radiators.....	200° F.

These settings can be changed after you have had some idea how the system works. Example: If your system does not give quite enough heat in very cold weather, you can raise the limit setting to 220° F.

ADJUST THERMOSTAT HEAT ANTICIPATOR

INSTRUCTIONS FOR THE FINAL ADJUSTMENT OF THE THERMOSTAT ARE PACKAGED WITH THE THERMOSTAT. Set Heat anticipator at .2. Check thermostat operation. When set above temperature indicated on the thermometer, boiler burners should ignite. Make certain the thermostat turns off the boiler when room temperature reaches the selected setting and starts the boiler operating when room temperature falls a few degrees. After setting limit control to desired setting, check

to see if it shuts off the gas supply to the burners. Turn your thermostat up to call for heat and let your boiler run until the temperature of the water reaches the limit setting. The gas valve should shut off and the circulator keep running until the thermostat is satisfied, or the water cools enough to restart the burners through the limit control.

To check the operation of the contacts in the pressure switch, disconnect the rubber tubing (located between the blower and the pressure switch) from the pressure switch, while the boiler is operating. The burners should extinguish and the blower should keep running. When the tubing is reconnected to the pressure switch, the ignition sequence should begin, resulting in ignition of the main burners.

Finally, set the thermostat for the desired temperature. Special conditions in your home and the location of the thermostat will govern this setting.

Safe lighting and other performance criteria were met with the gas manifold and control assembly provided on the boiler when the boiler underwent tests specified in ANSI Z21.13-latest revision.

FIG. 14 - PILOT FLAME ADJUSTMENT

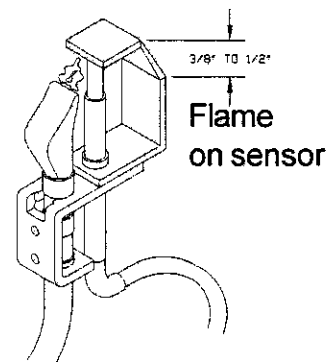
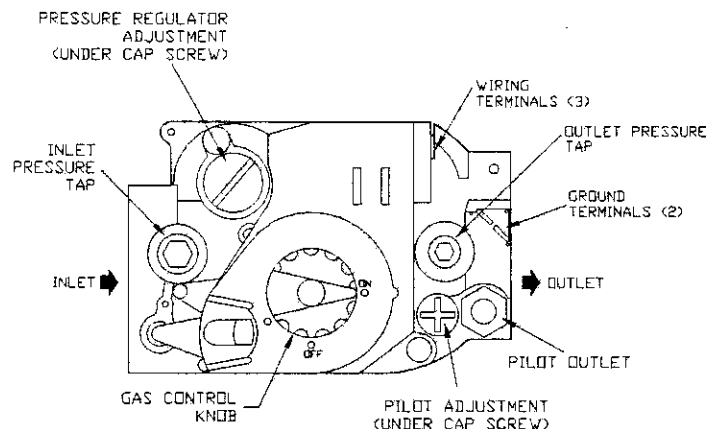


FIG. 15 - AUTOMATIC GAS VALVE



Maintaining Your Boiler

BURNERS

A visual check of the pilot and main burner flames should be made at least once each year, preferably at the beginning of the heating season. See page 17 and Figures 14, 15 and 16.

RELIEF VALVE

This valve should open automatically if the system pressure exceeds the pressure rating (usually 30 psi) of the relief valve. Should it ever fail to open under this condition, shut down your system. Drain the system until system pressure is reduced below the relief valve pressure rating. If valve discharge occurs, or if valve fails to open as described above, contact an authorized contractor or qualified service technician to replace the relief valve and inspect the heating system to determine the cause, as this may indicate an equipment malfunction.

This valve should be tested every month during periods of boiler operation, and at the beginning and end of any extended non-service period. Prior to testing, make certain discharge pipe is properly connected to valve outlet and arranged so as to contain and safely dispose of boiler discharge. Test at normal system operating pressure. Hold the trip lever fully open for at least five seconds in order to flush free any sediment that may lodge on the valve seat. Then permit the valve to snap shut.

EXPANSION TANK

As previously noted, this tank may become waterlogged, or may receive an excess of air. Frequent automatic opening of the relief valve indicates water logging. A high boiler temperature accompanied by unusually low radiation unit temperature (and "knocking") indicates excess air in tank. To correct either condition, close the valve

between the boiler and the tank. Drain the tank until it is empty. Check all the tank plugs and fittings. Tighten as necessary. Open the valve between the boiler and tank. Water will rise to the normal height in the tank if you have an automatic fill valve (otherwise, manually refill the system).

BOILER FLUE PASSAGES

Under normal operating conditions, with the burners properly adjusted, it should not be necessary to clean the boiler flue gas passages. However, to assure trouble-free operation, we recommend that you have the flue passages, burner adjustment, and operation of the controls checked once each year by a competent Service Technician.

Before the start of each season

(or whenever system has been shut down for some time) recheck the whole system for leaks . . . and recheck the boiler and vent pipe for leaks. Replace or patch any boiler seals that are faulty.

VENT PIPE

The venting of this unit is very important and the piping should be checked at least once a month. If the vent piping shows any sign of leaking, replace it immediately.

WATER SYSTEM

If system is to remain out of service during freezing weather, always drain it completely (water left in to freeze will crack the pipes and/or boiler).

CLEANING YOUR BOILER AND BURNERS

Flue passages between sections should be examined yearly and cleaned if necessary. To clean, remove burners, pilot and vent pipe. Remove top and front jacket panels. Split the silicone seal on the flue collector and the clean out plates with a razor knife. Remove flue collector. Remove clean out plates by tapping upwards on the bottom of the plate with a hammer. Remove loose silicone sealant from sections, flue collector, and clean out plates. Clean passageways between sections with a flexible handle wire brush and a straightened out wire coat hanger. Remove dirt from the bottom of the boiler and from between sections by vacuuming. Make sure all flame ports in burners are open and clear. Shake out or blow out all loose dirt in burners. Reassemble all parts. Seal flue collector and clean out plates to sections with silicone sealant (400° F RTV silicone

sealant or equivalent). Reseal seams between adjacent sections where necessary. All joints must be airtight. Be sure to check tightness of pilot connections and condition of burner flames after reassembly (see Figure 16). Be sure vent pipe connections to chimney are secure and no obstructions are present.

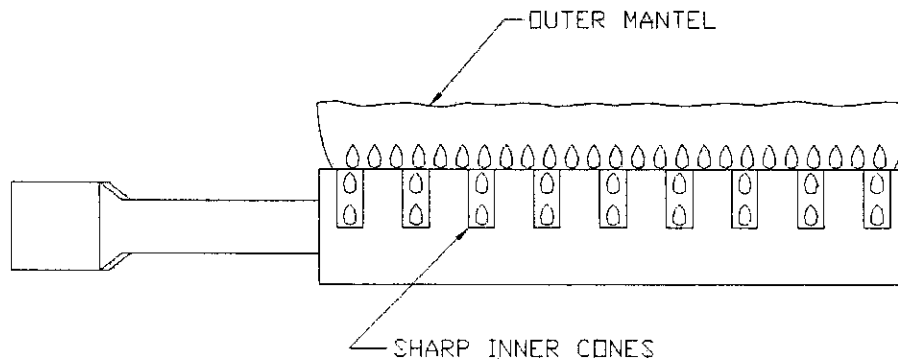
BLOWER

The blower motor features a permanently lubricated ball bearing construction. Lubrication is not required.

CIRCULATOR PUMP ISOLATION VALVES

The isolation valves in the circulator pump flanges should be operated manually once or twice per year to prevent the valves from becoming stuck in the open position. Rotate the valves from the open position to the closed position and back to the open position.

FIG. 16



Service Hints

You may avoid inconvenience and service calls by checking these points before you call for service.

FOR YOUR SAFETY

WHAT TO DO IF YOU SMELL GAS

1. Do Not try to light any appliance.
2. Do not touch any electric switch, do not use the phone.
3. Leave the building immediately, then call your gas supplier.
4. If you cannot reach the gas supplier, call the fire department.

IF YOUR SYSTEM IS NOT HEATING OR NOT GIVING ENOUGH HEAT . . .

Possible Cause	What to do
Thermostat is not set correctly Burner is not operating properly	Reset thermostat check flame. If it is yellow, the burner is not getting enough air. Or, if flame is blue and noisy and seems to lift off the burner, the burner is getting too much air. Contact your service technician.
No electric power to boiler	Check overcurrent protection. Check to be sure electric power supply circuit is "ON".
Controls out of adjustment Radiators not heating	Reset according to instructions. Open radiator vents to excess air. Check flow control valve (if used). It may be in closed position.
Circulating pump not running Poor electrical contact Chimney flue is blocked	Check overcurrent protection. Check relay operation. Check all control terminals and wire joints. Pressure switch will not close and pilot spark will not operate to start pilot. Have your service technician check and correct, if necessary.
Rollout switch blown	Have your service technician check heat exchanger for blockage. Replace rollout switch with exact replacement.

IF BURNER IS NOISY . . .

Possible Cause	What to do
Gas input amount is incorrect	Contact your service technician.

RELIEF VALVE LEAKING . . .

Possible Cause	What to do
Dirt on seat Water logged expansion tank	Open valve manually. Allow water to run and clear valve seat. Drain tank, see instructions.

HAVE YOUR SERVICE TECHNICIAN CHECK ANY PROBLEM YOU ARE UNABLE TO CORRECT.

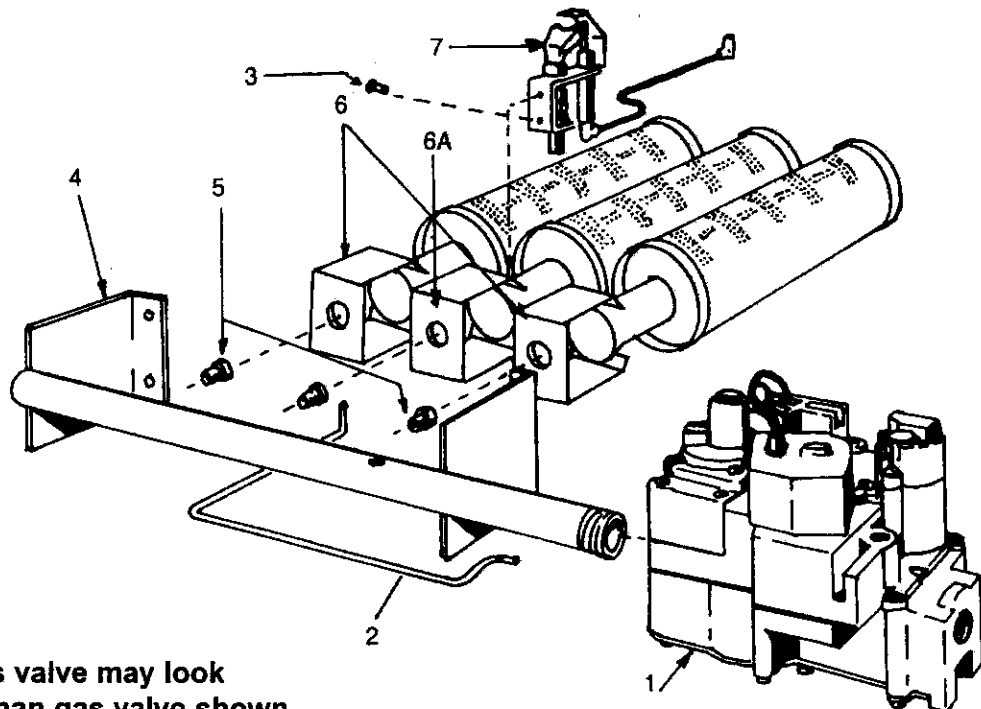
Repair Parts

IMPORTANT - READ THESE INSTRUCTIONS BEFORE ORDERING

All parts listed in the following Parts List may be ordered through your nearest supplier. When ordering parts, first obtain the Model Number from the data plate on your boiler, then determine the Part No. (not the Key No.) and the Description of each part from the following illustrations and list. Be sure to give us all this information: The Part No. - The Part Description - The Boiler Model No.

FOR USE WITH NATURAL GAS ONLY NARTUAL GAS MODEL NOS.

229.965520, 229.965530, 229.965540, 229.965550, 229.965560, 229.965570



NOTE: Actual gas valve may look different than gas valve shown

NATURAL GAS BURNER & MANIFOLD PARTS THIS IS A REPAIR PARTS LIST - NOT A PACKING LIST

KEY NO.	DESCRIPTION	PART NUMBERS FOR NATURAL GAS MODELS					
		229.965520 2 Section	229.965530 3 Section	229.965540 4 Section	229.965550 5 Section	229.965560 6 Section	229.965570 7 Section
1	24 Volt Gas Valve, Natural Gas	146-62-052	146-62-052	146-62-052	146-62-052	146-62-058	146-62-058
2	Pilot Tube	146-15-005	146-15-005	146-15-005	146-15-005	146-15-006	146-15-006
3	10-32 x 3/16" Slotted Hex Head Screws	146-95-301	146-95-301	146-95-301	146-95-301	146-95-301	146-95-301
4	Gas Manifold	146-16-042	146-16-043	146-16-044	146-16-045	146-16-024	146-16-025
5	Orifice - Natural Gas*	146-15-030	146-15-031	146-15-031	146-15-031	146-15-035	146-15-035
6	Main Burner Less Pilot Bracket**	146-15-529	146-15-529	146-15-529	146-15-529	146-15-529	146-15-529
6A	Main Burner with Pilot Bracket	146-15-528	146-15-528	146-15-528	146-15-528	146-15-528	146-15-528
7	Pilot Burner with Orifice, Natural Gas	146-62-091	146-62-092	146-62-092	146-62-092	146-62-092	146-62-092
‡	Rollout Shield	425-00-932	425-00-933	425-00-934	425-00-935	425-00-936	425-00-937

‡ Not illustrated.

Quantity is 1 unless otherwise noted.

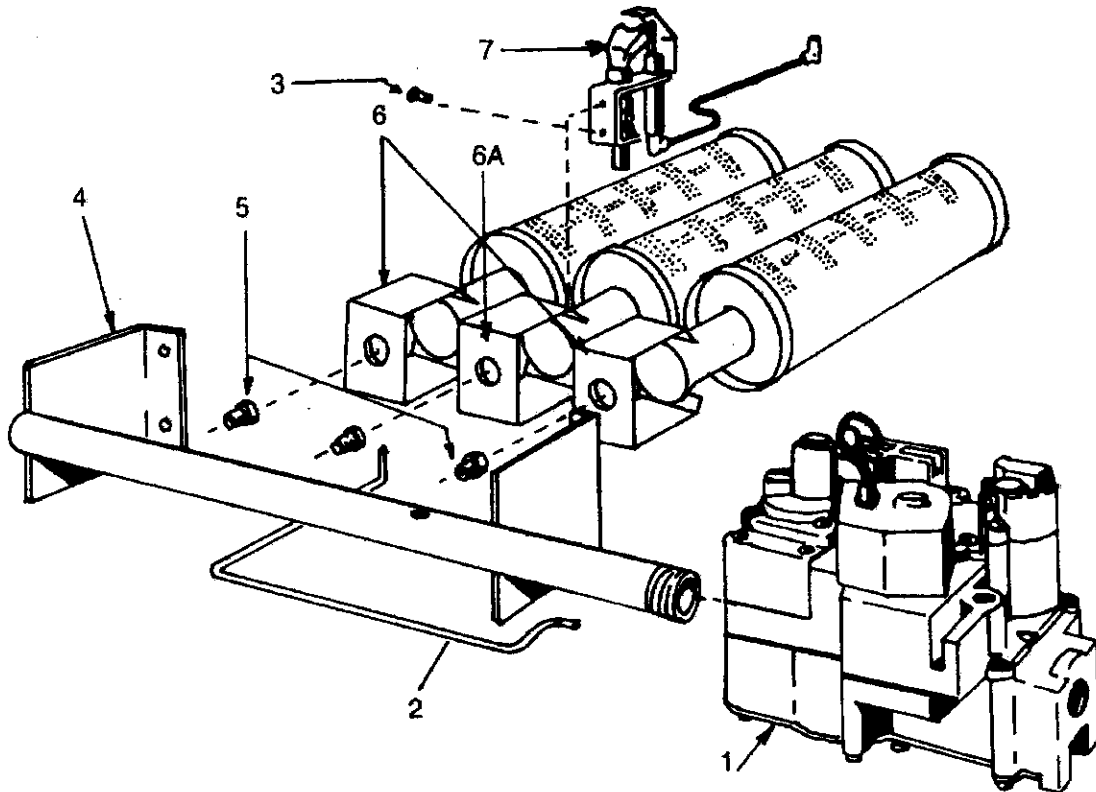
*Requires 1 less than the number of sections.

**Requires 2 less than the number of sections.

Repair Parts

FOR USE WITH PROPANE GAS ONLY
PROPANE GAS MODEL NOS.

229.965320, 229.965330, 229.965340, 229.965350, 229.965360, 229.965370



NOTE: Actual gas valve may look different than gas valve shown

PROPANE GAS BURNER & MANIFOLD PARTS THIS IS A REPAIR PARTS LIST - NOT A PACKING LIST

KEY NO.	DESCRIPTION	PART NUMBERS FOR PROPANE GAS MODELS					
		229.965320 2 Section	229.965330 3 Section	229.965340 4 Section	229.965350 5 Section	229.965360 6 Section	229.965370 7 Section
1	24 Volt Gas Valve, Natural Gas	146-62-062	146-62-062	146-62-062	146-62-062	146-62-059	146-62-059
2	Pilot Tube	146-15-005	146-15-005	146-15-005	146-15-005	146-15-006	146-15-006
3	10-32 x 3/16" Slotted Hex Head Screws	146-95-301	146-95-301	146-95-301	146-95-301	146-95-301	146-95-301
4	Gas Manifold	146-16-020	146-16-021	146-16-022	146-16-023	146-16-024	146-16-025
5	Orifice - Natural Gas*	146-15-044	146-15-036	146-15-036	146-15-036	146-15-036	146-15-036
6	Main Burner Less Pilot Bracket**	146-15-529	146-15-029	146-15-029	146-15-029	146-15-029	146-15-029
6A	Main Burner with Pilot Bracket	146-15-528	146-15-528	146-15-528	146-15-528	146-15-528	146-15-528
7	Pilot Burner with Orifice, Natural Gas	146-62-093	146-62-094	146-62-094	146-62-094	146-62-094	146-62-094
‡	Rollout Shield	425-00-932	425-00-933	425-00-934	425-00-935	425-00-936	425-00-937

‡ Not illustrated.

Quantity is 1 unless otherwise noted.

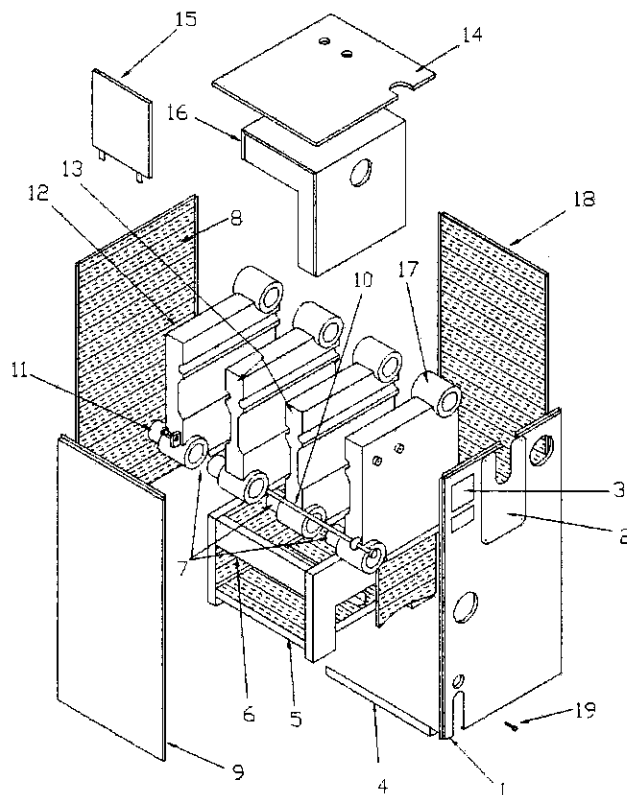
*Requires 1 less than the number of sections.

**Requires 2 less than the number of sections.

Repair Parts

SEARS INDUCED DRAFT BOILERS

229.965520, 229.965530, 229.965540, 229.965550, 229.965560, 229.965570
 229.965320, 229.965330, 229.965340, 229.965350, 229.965360, 229.965370



KEY	DESCRIPTION	PART NUMBERS FOR					
		2 SECTION	3 SECTION	4 SECTION	5 SECTION	6 SECTION	7 SECTION
1	Jacket, Right Side Panel	730-00-1050	730-00-1050	730-00-1050	730-00-1050	730-00-1050	730-00-1050
2	Blower Cover Plate	730-00-1170	730-00-1170	730-00-1170	730-00-1170	730-00-1170	730-00-1170
3	Rating Plate	146-80-005	146-80-005	146-80-005	146-80-005	146-80-005	146-80-005
4	Jacket Tie Bar	425-01-494	425-01-495	425-01-496	425-01-497	425-01-498	425-01-499
5	Boiler Base	425-01-733	425-01-734	425-01-735	425-01-736	425-01-737	425-01-738
6	Insulation, Base Side (2 Required)	146-14-020	146-14-020	146-14-020	146-14-020	146-14-020	146-14-020
6	Insulation, Base Front	146-14-112	146-14-113	146-14-114	146-14-115	146-14-116	146-14-117
6	Insulation, Base Rear	146-14-122	146-14-123	146-14-124	146-14-125	146-14-126	146-14-127
7	Nipple, Boiler	433-01-976	433-01-976	433-01-976	433-01-976	433-01-976	433-01-976
8	Jacket, Left Side Panel	730-00-1040	730-00-1040	730-00-1040	730-00-1040	730-00-1040	730-00-1040
9	Jacket, Front Panel	730-00-1032	730-00-1033	730-00-1034	730-00-1035	730-00-1036	730-00-1037
10	1/4" Tie Rod, (2 Required)	146-05-008	146-05-002	146-05-002	146-05-051	146-05-053	146-05-005
11	Nut & Washer	146-95-041	146-95-041	146-95-041	146-95-041	146-95-041	146-95-041
12	Section, Left End	410-01-019	410-01-019	410-01-019	410-01-019	410-01-019	410-01-019
13	Section, Intermediate	-----	410-01-018	410-01-018	410-01-018	410-01-018	410-01-018
14	Jacket, Top Panel	730-00-1012	730-00-1013	730-00-1014	730-00-1015	730-00-1016	730-00-1017
15	Cleanout Plate(s)	425-01-539	425-01-540	425-01-541	425-01-542	425-01-540	425-01-541
16	Flue Collector	730-00-3002	730-00-3003	730-00-3004	730-00-3005	730-00-3006	730-00-3007
17	Section, Right End	410-01-017	410-01-017	410-01-017	410-01-017	410-01-017	410-01-017
18	Jacket, Back Panel	730-00-1022	730-00-1023	730-00-1024	730-00-1025	730-00-1026	730-00-1027
‡	Jacket, Complete	730-00-1002	730-00-1003	730-00-1004	730-00-1005	730-00-1006	730-00-1007
19	#10 x 1/2 Sheet Metal Screw	146-95-074	146-95-074	146-95-074	146-95-074	146-95-074	146-95-074
‡	Block Assembly (7,10,11,12,13,17))	410-01-212	410-01-312	410-01-42	410-01-512	410-01-612	410-01-712
‡	Combustible Floor Plate	146-14-031	146-14-031	146-14-031	146-14-031	146-14-032	146-14-032

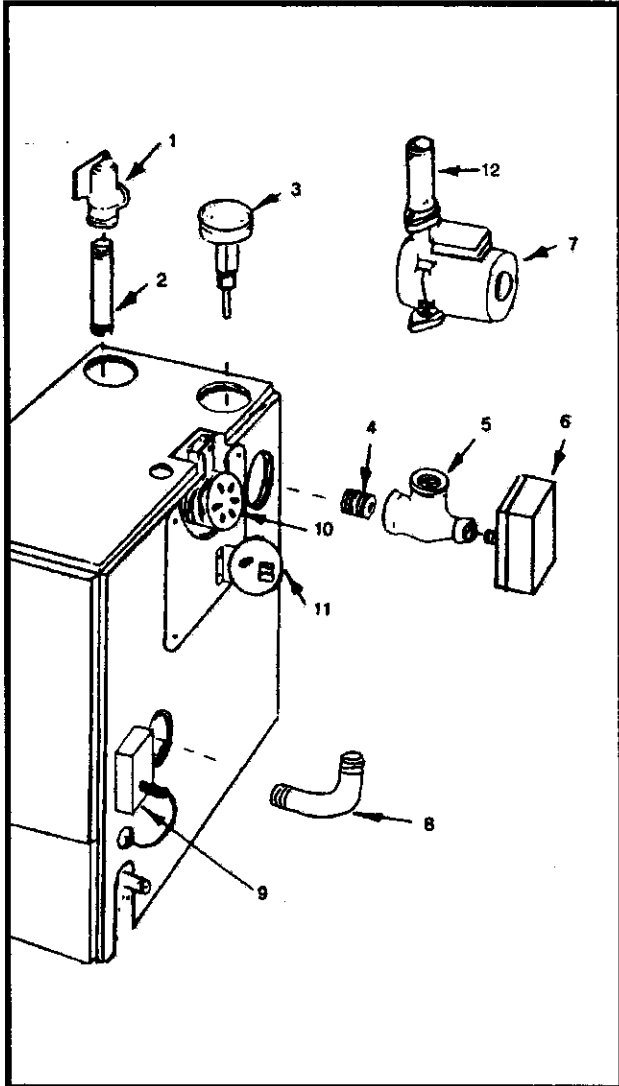
‡ Not illustrated

Repair Parts

SEARS INDUCED DRAFT BOILERS

229.965520, 229.965530, 229.965540, 229.965550, 229.965560, 229.965570
 229.965320, 229.965330, 229.965340, 229.965350, 229.965360, 229.965370

BOILERS CONTROL AND PIPING



Key No.	Description	Part No.
1	3/4" ASME Relief Valve	146-22-011
2	3/4" x 5 1/2" Nipple	146-07-040
3	Temperature Pessure Gauge - (3 1/2" Stem)	146-23-007
4	1 1/4" x 5 1/2" Nipple	146-07-019
5	1 1/4" x 3/4" x 1 1/4" Tee	146-93-049
6	L8148A Comb Hi Limit & Relay Control	433-00-521
7A	Grundfos Pump UP15-42F	CI-006.01
7B	Taco Pump 007	CI-001.03
8	1 1/4" Return Nipple	146-07-004
9	Intermittent Pilot Control	146-62-070
10	Induced Draft Blower and Gasket	433-00-511
11	Pressure Switch - 2,3,4,5, Section	146-55-006
	Pressure Switch - 6,7, Section	146-55-005
12	Isolation Ball Valve	146-26-043
‡	Rubber Tube (Blower to Pressure Switch)	146-29-003
‡	Rollout Switch	146-29-002
‡	1 1/4" x 3/4" Bushing	146-93-006
‡	AT 140C 24 V. Transformer	146-62-080
‡	1/4" Close Nipple	146-07-031
‡	1/4" Coupling	146-93-054
‡	3" x 4" Increaser Fitting - Galvanized	146-28-012
‡	400° F Black Silicone Rubber Adhesive Sealant (10.3 oz. Cartridge)	146-06-020
‡	500° F Black Silicone Rubber Adhesive Sealant (10.3 oz. Cartridge)	146-06-023

‡ Not illustrated

NOTE: The circulator and ball valves do not come pre-installed.



Owner's Manual

MODEL NO.

Natural Gas

229.965520

229.965530

229.965540

229.965550

229.965560

229.965570

Propane Gas

229.965320

229.965330

229.965340

229.965350

229.965360

229.965370

HOW TO ORDER SPARE PARTS

**TELL SEARS YOU
WANT IT INSTALLED
THEN RELAX**

Electronic Ignition

Gas-Fired Hot Water Induced Draft Boiler

Now that you have purchased your Boiler, should a need ever exist for repair parts or service, simply contact any Sears service Center. Be sure to provide all pertinent facts when you call or visit.

The model number of your Boiler will be found on the model plate on the side of the Boiler.

WHEN ORDERING REPAIR PARTS, ALWAYS GIVE THE FOLLOWING INFORMATION:

- PART NUMBER
- PART DESCRIPTION
- MODEL NUMBER
- NAME OF ITEM

All parts listed may be order from any Sears Service Center.

If the parts you need are not stocked locally, your order will be electronically transmitted to a Sears Repair Parts Distribution Center for handling.

When Sears arranges the installation, you can be sure the job is done right. We will arrange for professional workmanship.... and we'll take care of the entire project. What's more, during installation you get insured protection.... against property damage and also against accidents to workmen. All you have to do is talk to your nearest Sears store today for detailed information.

Sears, Roebuck and Co., Hoffman Estates, IL 60179 U.S.A.