

Installation Instructions

If you have questions, call 800-GE-CARES or visit our website at: www.monogram.com

Professional Ranges

48" Natural Gas Models

ZDP48N4G

ZDP48N6R

ZDP48N6D

48" LP Gas Models

ZDP48L4G

ZDP48L6R

ZDP48L6D

36" Natural Gas Models

ZDP36N6

ZDP36N4R

ZDP36N4D

36" LP Gas Models

ZDP36L6

ZDP36L4R

ZDP36L4D

30" Natural Gas Model

ZDP30N4

30" LP Gas Model

ZDP30L4



Monogram®

Installation Instructions



BEFORE YOU BEGIN

Read these instructions completely and carefully.

- **IMPORTANT** – Save these instructions for local inspector's use.
- **IMPORTANT** – Observe all governing codes and ordinances.
- **Note to Installer** – Be sure to leave these instructions with the Consumer.
- **Note to Consumer** – Keep these instructions for future reference.
- **Skill Level** – Installation of this range requires basic mechanical and electrical skills.
- **Completion time** – 1 to 3 hours.
- Proper installation is the responsibility of the installer.
- Product failure due to improper installation is not covered under the Warranty.



WARNING:

This appliance must be properly grounded. See "Electric Supply", page 7.



AVERTISSEMENT :

Cet appareil doit être mis à la terre adéquatement. Voir la section « Alimentation électrique » à la page 7.

For Monogram local service in your area, 1.800.444.1845.

For Monogram Service in Canada, call 1.888.880.3030.

For Monogram Parts and Accessories, call 1.800.626.2002.

If you received a damaged range, you should contact your dealer.

In the Commonwealth of Massachusetts:

- This product must be installed by a licensed plumber or gas fitter.
- When using ball type gas shut off valves, they shall be T-handle type.
- A flexible gas connector, when used, must not exceed 3 feet.



CAUTION:

THESE RANGES SHOULD BE INSTALLED IN CONJUNCTION WITH A SUITABLE OVERHEAD VENT HOOD. Due to the high heat capacity of this unit, particular attention should be paid to the hood and duct work installation to assure it meets local building codes.



MISE EN GARDE :

CES CUISINIÈRES DOIVENT ÊTRE MONTÉES CONJOINTEMENT AVEC UNE HOTTE À ÉVACUATION DE PLAFOND APPROPRIÉE. Étant donné la grande capacité thermique de cet appareil, une attention particulière doit être portée au montage de la hotte et du système de gaines pour s'assurer qu'il est conforme aux codes du bâtiment locaux.

Standard countertop and island installations:

A 1200 CFM hood is recommended for 48" ranges. A 600 CFM hood is recommended for 30" and 36" Ranges.

Hoods should be 24" min. deep and the same width as the cooktop.

Check local building codes for the proper method of gas range installation. Local codes vary. Installation, electrical connections and grounding must comply with applicable codes. In the absence of local codes, the gas range should be installed in accordance with the National Fuel Gas Code ANSI 223.1, latest edition and National Electrical Code ANSI/NFPA 70, latest edition.



CAUTION:

These ranges weigh up to 600 pounds. Some disassembly will reduce the weight considerably. Due to the weight and size of the range and to reduce the risk of personal injury or damage to the product, TWO PEOPLE ARE REQUIRED FOR PROPER INSTALLATION.



MISE EN GARDE :

Ces cuisinières pèsent jusqu'à 272 kg (600 lb). Tout démontage réduira considérablement leur poids. En raison du poids et de la taille de la cuisinière, dont la manipulation risque d'entraîner des lésions corporelles ou des dommages au produit, DEUX PERSONNES SONT NÉCESSAIRES POUR PROCÉDER À UN MONTAGE ADÉQUAT.

Design Information

CONTENTS

Design Information

Models Available	3
Accessory Requirements	3
Product Dimensions and Clearances	4, 5
Advance Planning	6
Tools and Materials Required	6

Installation Preparation

Power Supply Locations	7
------------------------------	---

Installation Instructions

Step 1, Remove Packaging	8
Step 2, Level the Range	9
Step 3, Install Anti-Tip Device	9, 10
Step 4, Connect Range to Gas	11
Step 5, Connect Electrical	12
Step 6, Slide Range into Position	12
Step 7, Replace Oven Doors	12
Step 8, Assemble and Adjust Burners	13
Finalize Installation	13
Installation Checklist	14
Install Backsplash Accessory	15

MODELS AVAILABLE

These ranges are factory set for either natural gas or liquid propane gas. Order the model for your installation situation.

48" Natural Gas Models:

- ZDP48N4G – 4 gas burners, grill and griddle
- ZDP48N6R – 6 gas burners and grill
- ZDP48N6D – 6 gas burners and griddle

48" Liquid Propane Gas Models:

- ZDP48L4G – 4 gas burners, grill and griddle
- ZDP48L6R – 6 gas burners and grill
- ZDP48L6D – 6 gas burners and griddle

36" Natural Gas Models:

- ZDP36N6 – 6 gas burners
- ZDP36N4R – 4 gas burners and grill
- ZDP36N4D – 4 gas burners and griddle

36" Liquid Propane Gas Models:

- ZDP36L6 – 6 gas burners
- ZDP36L4R – 4 gas burners and grill
- ZDP36L4D – 4 gas burners and griddle

30" Natural Gas Model:

- ZDP30N4

30" Liquid Propane Gas Model:

- ZDP30L4

BACKSPLASH ACCESSORIES

All models require 12" min. clearance to a vertical combustible surface at the rear. A backsplash accessory is available for installations with less than 12" clearance to the back wall. Order a 12" high backsplash or 22" high backsplash with warming shelf.

Backsplash for 48" Models:

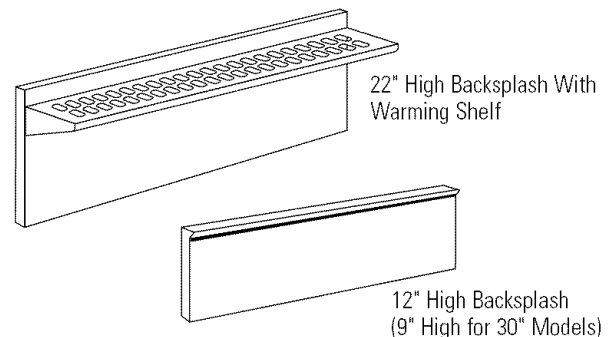
- ZX12B48HSS – 12" high backsplash
- ZX22B48HSS – 22" high backsplash with warming shelf (2 piece)

Backsplash for 36" Models:

- ZX12B36HSS – 12" high backsplash
- ZX22B36HSS – 22" high backsplash with warming shelf (2 piece)

Backsplash for 30" Models:

- ZX9B30HSS – 9" high backsplash
- ZX22B30HSS – 22" high backsplash with warming shelf (2 piece)



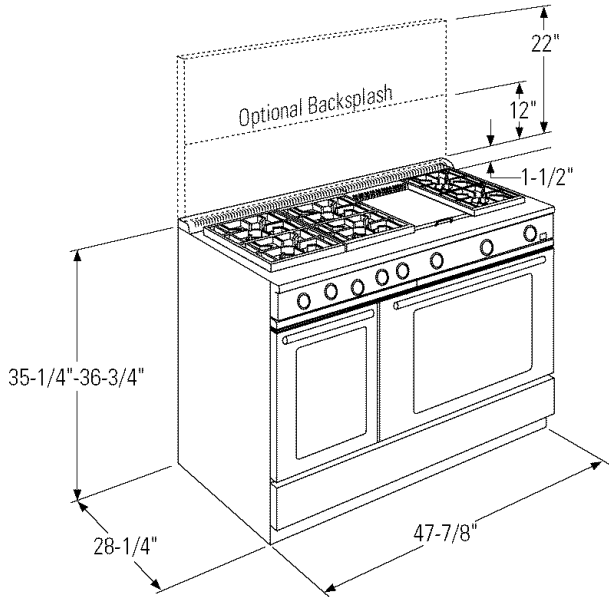
INSTALLATION NOTE:

A custom backsplash may be constructed of non-combustible back wall materials such as ceramic tile, brick, marble or other stone.

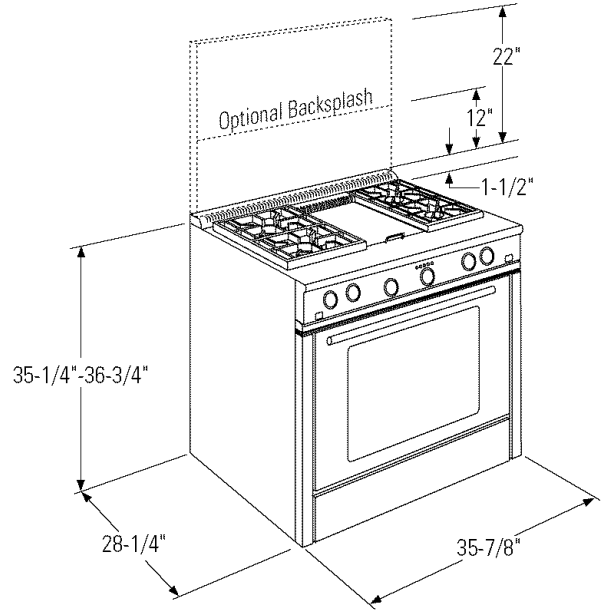
Design Information

PRODUCT DIMENSIONS AND CLEARANCES

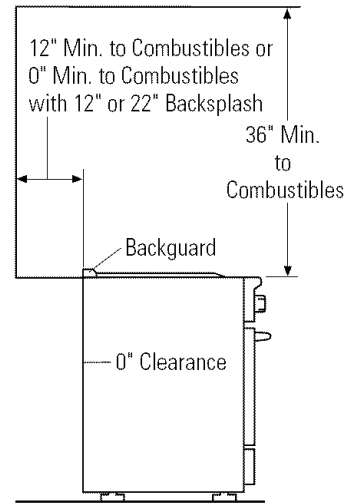
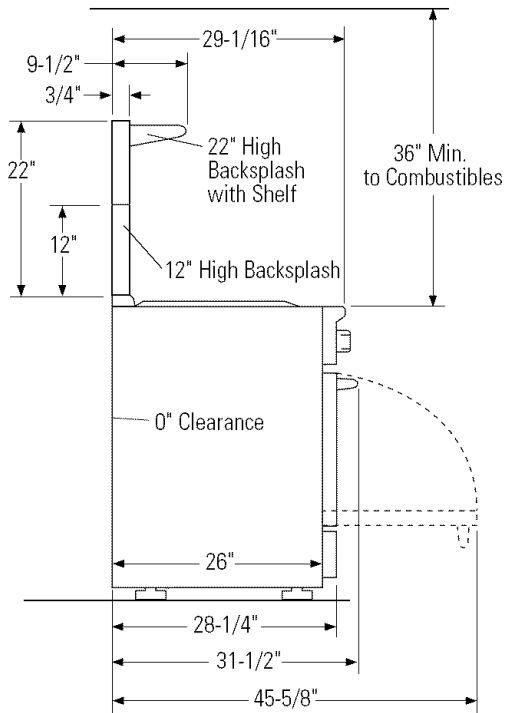
48" Wide Range Models



36" Wide Range Models



48" and 36" Range Models

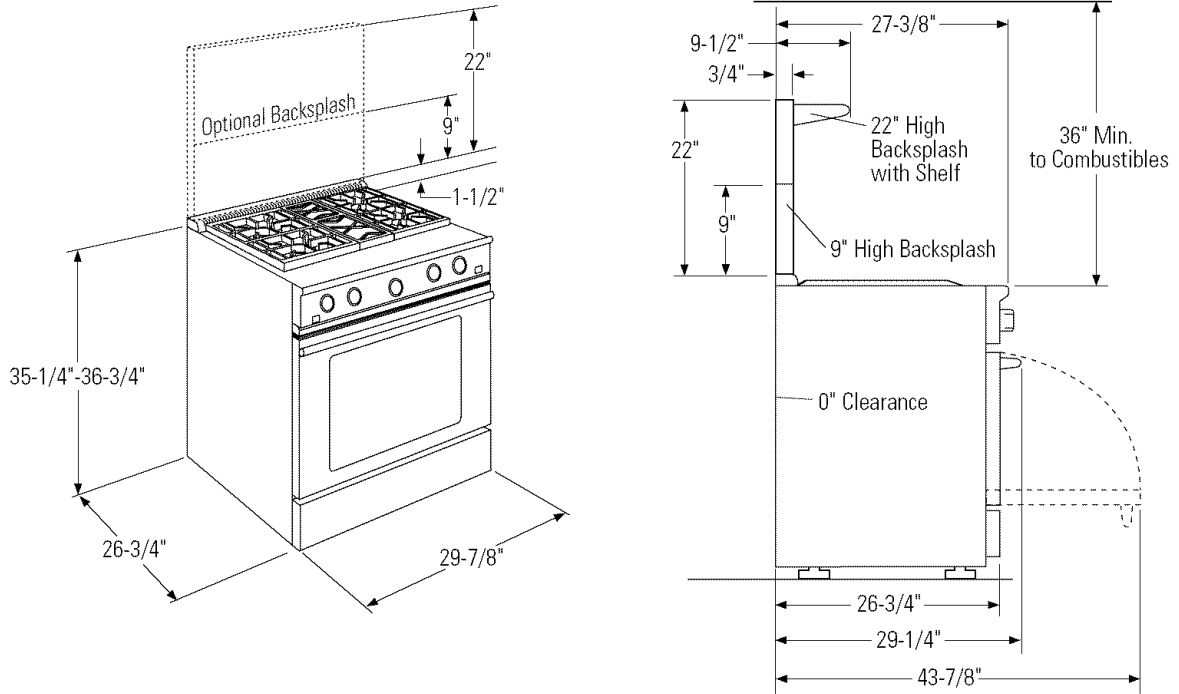


NOTE: 12" Min. to Combustibles or 0" Min. to Combustibles with any backsplash accessory or custom non-combustible back wall.

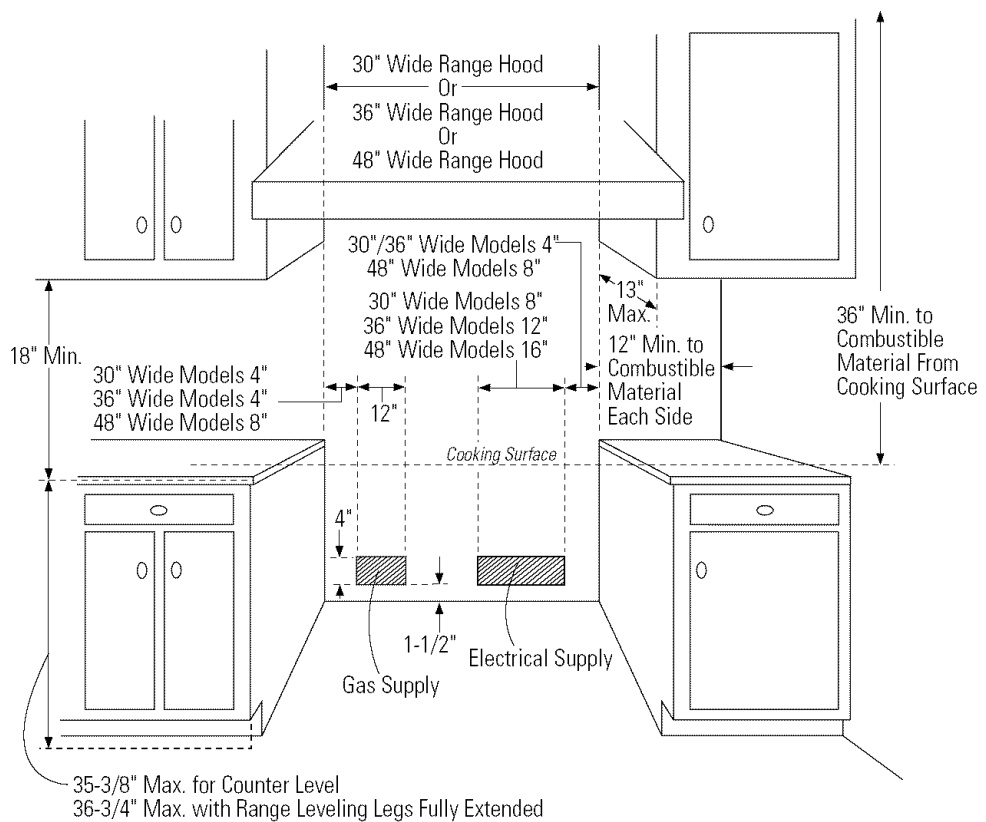
Design Information

PRODUCT DIMENSIONS AND CLEARANCES

30" Wide Range Models



NOTE: Refer to Vent Hood Installation Instructions for hood height above the range.



Design Information

ADVANCE PLANNING

Refer to "Dimensions and Clearances" for appropriate placement and necessary clearances when planning the installation.

- Cabinetry can not be installed directly above the range.
- We recommend the installation of a vent hood above the surface.
 - The vent hood must be at least 24" deep.
 - The vent hood must be at least the same width as the range.
 - For 48" models, we recommend the vent hood blower be 1200 CFM.
 - For 30" and 36" models, we recommend the vent hood blower be 600 CFM.
- Working areas adjacent to the range should have 18" minimum clearance between countertop and cabinet bottom.
- Clearance between range and side wall or combustible material must be at least 12" on each side.
- Allow 12" min. clearance at the back to combustible materials.
- Allow 36" min. above the cooking surface to combustible materials.
- Installation must conform with local codes. In the absence of local codes, the range must comply with the National Fuel Gas Code, ANSI Z223.1/NFPA.54, latest edition. In Canada, installation must conform with the current Natural Gas Installation Code, CAN/CGA-B149.1 or the current Propane Installation Code, CAN/CGA-B149.2, and with local codes where applicable. This range has been design-certified by CSA International according to ANSI Z21.1, latest edition and Canadian Gas Association according to CAN/CGA-1.1 latest edition.

TOOLS REQUIRED

- Saw
- Measuring tape
- Carpenter's square
- Pipe wrench
- Large flat-blade screwdriver
- Safety glasses
- Drill and appropriate bits

MATERIALS REQUIRED (not supplied)

- Pipe and fittings as required
- Manual gas line shut-off valve
- Gas pressure regulator (supplied)
- Gas-resistant pipe joint sealant
- 5 foot, 5/8" AGA-certified flexible metal gas supply line
 - If required by local codes, use solid pipe fittings.

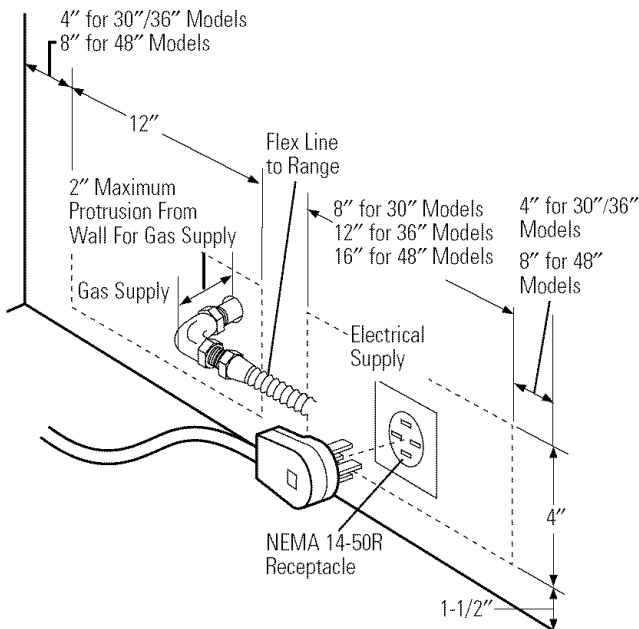
NOTE: Purchase new flexible line. DO NOT USE OLD, PREVIOUSLY USED FLEXIBLE LINE.

Installation Preparation

POWER SUPPLY LOCATIONS

Gas Supply:

- The natural gas models are designed to operate at 5" water column pressure. A regulator is required at the natural gas source to provide a maximum of 7" water pressure to the cooktop regulator.
- The liquid propane models are designed to operate at 10" water column pressure. A regulator is required at the LP source to provide a maximum of 14" water pressure to the cooktop regulator.
- These gas ranges are supplied with 1/2" NPT female gas connection located at the left rear corner.
- A minimum 5/8" dia. metal flexible line is required.
- Locate pipe stub on the back wall as illustrated.
 - Use 5-foot, 5/8" long flexible gas supply line.
- Install a manual shut-off valve in the gas line, in an easily accessible location.



Electric Supply:

These ranges must be supplied with 208/240 volt, 60 Hz., and connected to an individual, properly grounded branch circuit protected by a circuit breaker or time delay fuse (50 amp for 48" ranges, 30 amp for 36" ranges and 25 amps for 30" ranges). The receptacle must be a NEMA 14-50R device to accept the 4-prong plug supplied with the range.

If the electrical service provided does not meet the above specifications, it is recommended that a licensed electrician install an approved outlet.

- Locate the electric supply as illustrated.



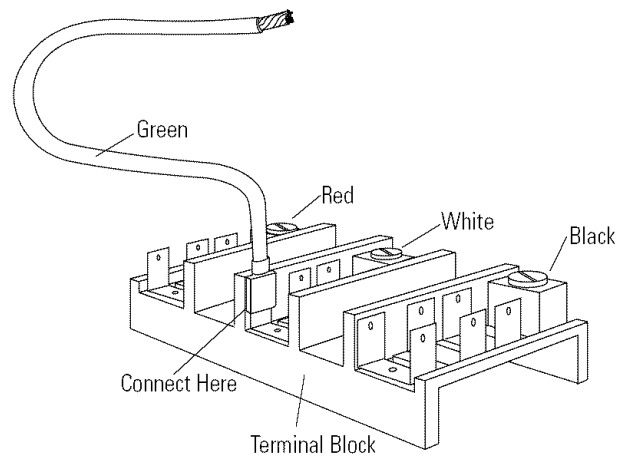
WARNING: The range is equipped for use with an electrical supply which uses a separate grounding conductor (4 wire system).

If this range must be connected to an electrical system which utilizes a single conductor for ground and neutral (3 wire system), the grounding jumper at the terminal block must be connected. The grounding jumper is located behind the front kick panel.



AVERTISSEMENT : Étant donné sa conception, la cuisinière exige que l'alimentation électrique soit dotée d'un conducteur de terre distinct (système à 4 fils).

Si cette cuisinière doit être connectée à un système électrique qui utilise un conducteur simple pour la mise à la terre et le conducteur neutre (système à 3 fils), il faut alors connecter le cavalier de terre sur la plaque à bornes. Le cavalier de terre est situé derrière le panneau de protection frontal.



To connect grounding jumper:

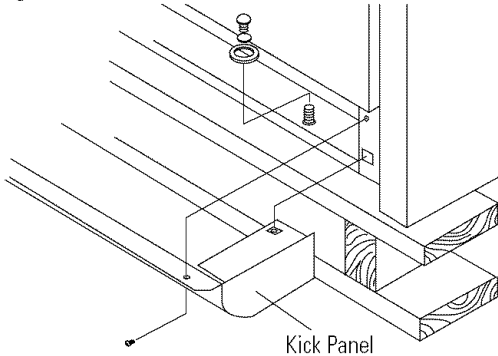
- Disconnect restraining clip holding jumper.
- Connect green jumper to open terminal on neutral (white) portion of the terminal block.

Installation

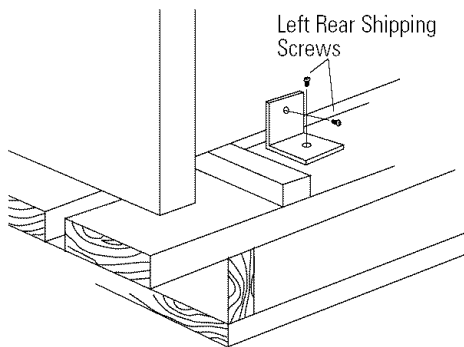
STEP 1 REMOVE PACKAGING

Before moving the range indoors:

- Remove outer carton and packing material from the shipping base.



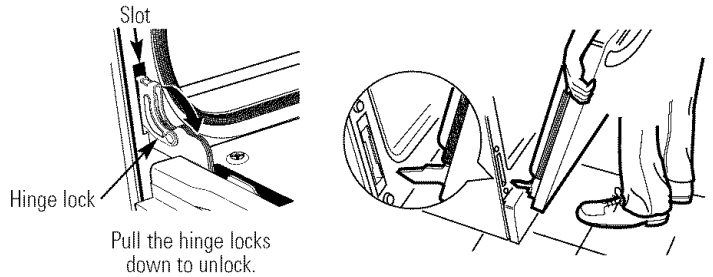
- Remove the kick panel by removing 2 screws at the top and pulling forward.



The range is secured to the skid with 2 bolts in the front and 2 "L" brackets on the bottom flange of the range back. Remove bolts and "L" brackets.

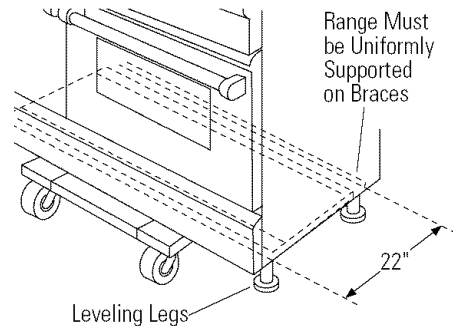
To simplify handling and to reduce the weight of the range:

- Remove the grates and the drawers below the knobs (on grille and griddle models).
- Remove grill and griddle covers. **DO NOT ATTEMPT TO REMOVE A GRILL OR GRIDDLE ASSEMBLY.**
- Remove the broiler pans/literature package from inside oven(s).



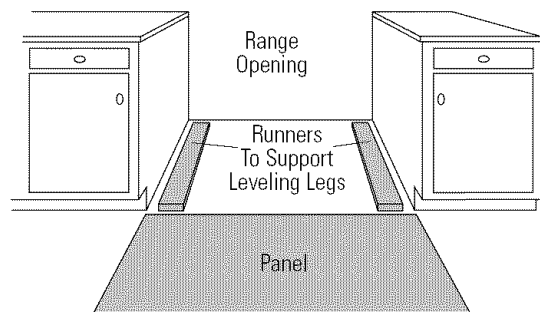
Remove oven doors:

- Fully open the door.
- Each hinge has a hinge lock. Close the hinge latch down against the door frame.
- Firmly grasp the door **at the top sides**.
- Close the door to the near-vertical position.
- Lift the door up and pull straight out.



Due to the weight of these ranges, use a dolly with soft wheels to move this range.

- Lift the range onto the dolly and move indoors.
- Remove the panel from the rear of the shipping pack. Lay the panel on the floor directly in front of the installation location. The range should be placed on this panel to prevent damage to the floor.
- Remove the two strips from the oven interior. Place the strips on the floor at the left and right sides of the installation location. These strips provide a surface for sliding the range into the final position and will prevent damage to the floor. The leveling legs must rest permanently on these runner strips.



Installation

STEP 2 LEVEL THE RANGE

NOTE: Rear range leveling legs are not accessible after installation.

- Check to be sure the adjoining cabinets/countertops are level, front to back and left to right across the opening of the range.
- Measure the distance from the floor to the top of the countertop in the left and right rear corners.

- Adjust the height of the range to countertop height or higher.

IMPORTANT: The range should always be installed at countertop height or higher. **DO NOT INSTALL THE RANGE LOWER THAN ADJACENT COUNTERTOP HEIGHT.**

STEP 3 INSTALL ANTI-TIP DEVICE



WARNING:

- All Ranges Can Tip
- Injury Could Result
- Install Anti-Tip Bracket Provided
- See Instructions



AVERTISSEMENT:

- Toutes les cuisinières peuvent basculer
- Des blessures peuvent en résulter
- Montez le support antibasculement fourni
- Consultez les instructions

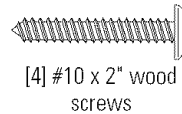


The anti-tip bracket is designed to be installed on top of the slide (runners) provided with the range. Any other type of construction may require special installation techniques to insure adequate fastening of the anti-tip bracket to the floor or wall.

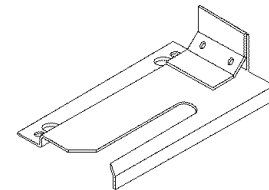
- The bracket must be properly installed to prevent tipping of the range.
- Read the AHAM Anti-Tip Safety brochure packed with the product.

All Ranges must have an anti-tip device correctly installed according to these instructions.

- If the range is pulled out from the wall for any reason, make sure that the device is properly engaged when pushed back against the wall or installation position.
- If the anti-tip device is not engaged, there is a possible risk that the range can tip over and cause injury if you or a child stand, sit or lean on an open door.



[4] #10 x 2" wood screws



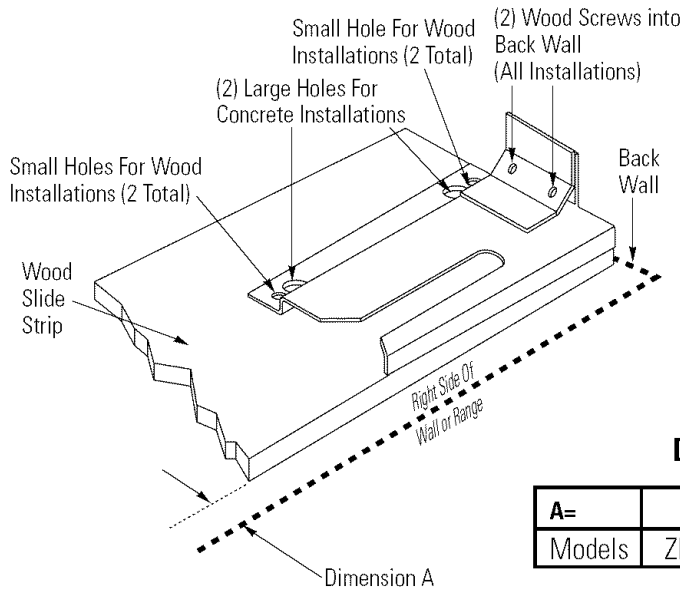
Anti-Tip Bracket

AHAM Anti-Tip Safety Brochure



Installation

STEP 3 INSTALL ANTI-TIP DEVICE (CONTINUED)



Dimension A

A=	1/2"	5/8"	1/4"
Models	ZDP48	ZDP36	ZDP30

Wood Construction:

- Place the bracket against the back wall, into the right rear corner of the installation location.
- See Dimension A, position the bracket the correct distance from the right side. Mark the 2 small screw holes for fastening the bracket to the floor and remove the bracket.
- Drill two, 1/8" diameter pilot holes.
- Fasten the bracket securely to the floor and wall using all 4 screws provided.

Concrete or Cement Construction:

Hardware Required (not supplied):

[2] sleeve anchors, lag bolts and washers.

- Place the bracket against the back wall, into the right rear corner of the installation location.
- See Dimension A, position the bracket the correct distance from the right side. Mark the 2 large holes for fastening the bracket to the floor and remove the bracket.
- Drill recommended size holes for the hardware.
- Install the sleeve anchors into the holes and then install the lag bolts through the bracket. The bolts must be properly tightened as recommended for the hardware.
- Fasten the bracket securely to the floor.
- Drive wood screws into the back wall.

Installation

STEP 4 CONNECT RANGE TO GAS

Assure that gas supply is turned off at the shut-off valve:

- Connect flexible metal connector to incoming gas line pipe stub located on the left side on the bottom back of the range.
- Turn on gas and check for leaks:
 - Use a liquid leak detector at all joints and connections in the system.



CAUTION:

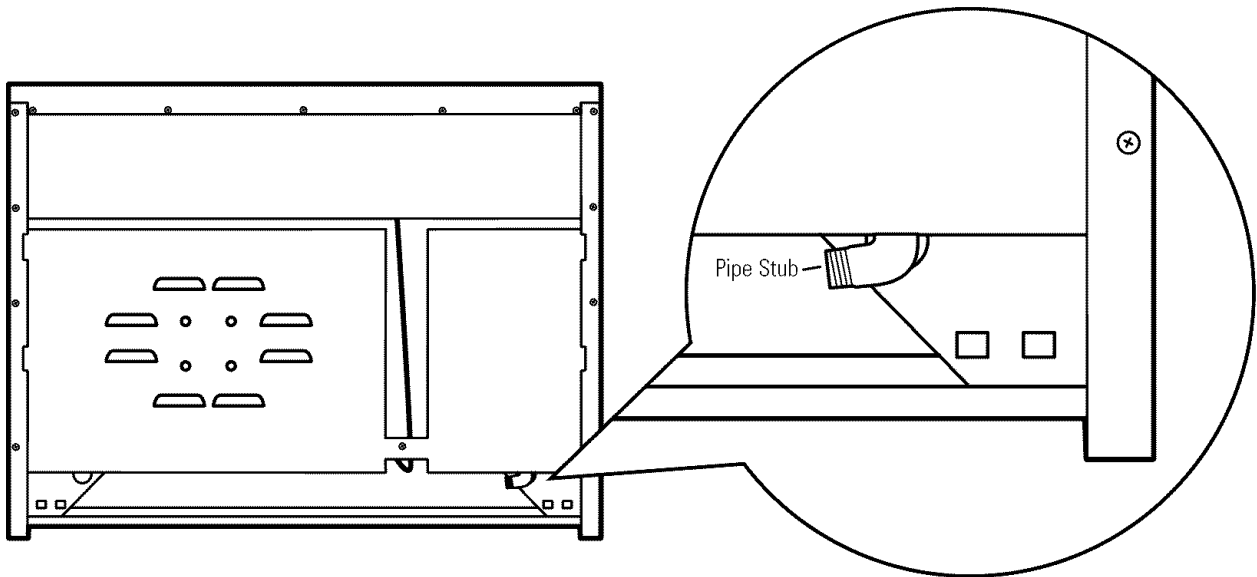
Do not use a flame to check for gas leaks.



MISE EN GARDE :

Il ne faut pas utiliser de flamme pour vérifier s'il y a des fuites.

NOTE: This range is equipped with a gas shut-off valve located behind the kick plate. This valve is to be used in the event that service is required in the future.



Installation

STEP 5 CONNECT ELECTRICAL

Plug power cord into properly grounded receptacle.

STEP 6 SLIDE RANGE INTO POSITION

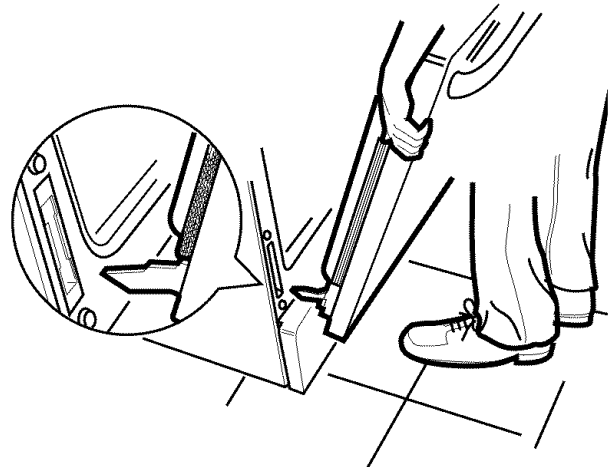
- Carefully, slide the range into position.
 - Be careful not to entangle power cord and gas flexible tubing.
- Be sure the right rear leg is engaged in the slot of the installed anti-tip bracket.
- Check for proper installation by grasping the range at the top front edge and carefully attempt to tilt the range forward.
- Check to be sure the front of the range is level. Adjust front leveling legs accordingly.
- Replace the front kick panel by reversing the procedure described in Step 1.

STEP 7 REPLACE OVEN DOOR(S)

IMPORTANT: Do not lift the door by the handle.

To replace the oven doors:

- Firmly grasp the door **at the top sides**. **This is critical.**
- Approach the range with the door angled in a vertical position.
- Guide the hinges into the slots.
- Push the door in firmly while opening.
- Once in position, open the door completely. Push the hinge locks back in and towards the front frame.



CAUTION:

Take care when replacing the oven doors. If the hinge latch is not securely locked, the hinge may snap back and separate. If the hinge separates, you must apply pressure (possibly with your foot) to press it back together and then engage the hinge latch.



MISE EN GARDE :

Soyez prudent lorsque vous remettez en place les portes du four. Si le loquet de charnière n'est pas verrouillé correctement, la charnière peut se dégager brusquement et se séparer. Si c'est le cas, vous devez exercer une pression (par exemple avec le pied) pour la remettre en place, puis enclencher le loquet.

Installation

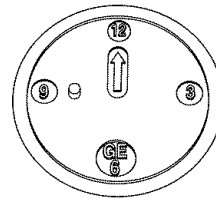
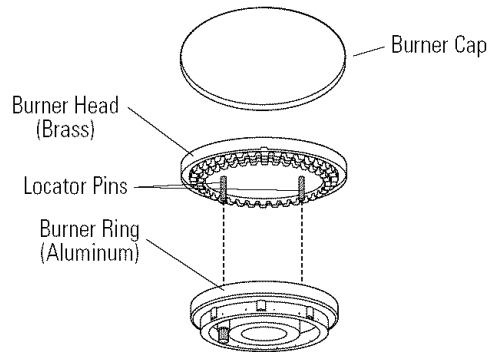
STEP 8 ASSEMBLE AND ADJUST BURNERS

Assemble burners as shown. Check to be sure that burner heads and caps are securely seated. Pin(s) must completely engage holes to ensure proper assembly.

- Check for proper ignition:
 - Push in one control knob and turn 90° to LITE position.
 - The igniter will spark and the burner will light; the igniter will cease sparking when the burner is lit.
 - First test may require some time, while air is flushed out of the gas line.
 - Turn knob to OFF.
 - Repeat the procedure for each burner.

IMPORTANT: If the ignitor electrodes continue to spark after the burners are lit, check that each burner component is assembled and seated properly by observing constant gaps between each layer. Disassemble and reassemble as required.

- Burner flames should be blue and stable with no yellow or yellow tips, excessive noise or lifting of the flame from the burner. If any of these conditions exist, check that the burner ports are not blocked. If one of these conditions continues, call for service.



To aid reassembly, each brass burner head is marked with a clock face. Replace the burner head with the arrow pointing to the rear of the cooktop (12 o'clock position).

Installation

FINALIZE INSTALLATION

Place the burner grates over the burners. Press corner of the grate to the cooktop. The grates should be seated and should not rock.

The grill and griddle are secured with screws at the front. They are designed to be stationary and should not be removed.

The griddle has two leveling screws beneath the rear flue cover that can be used to adjust to the desired slope. The center screw is for shipping purposes only and can be removed.

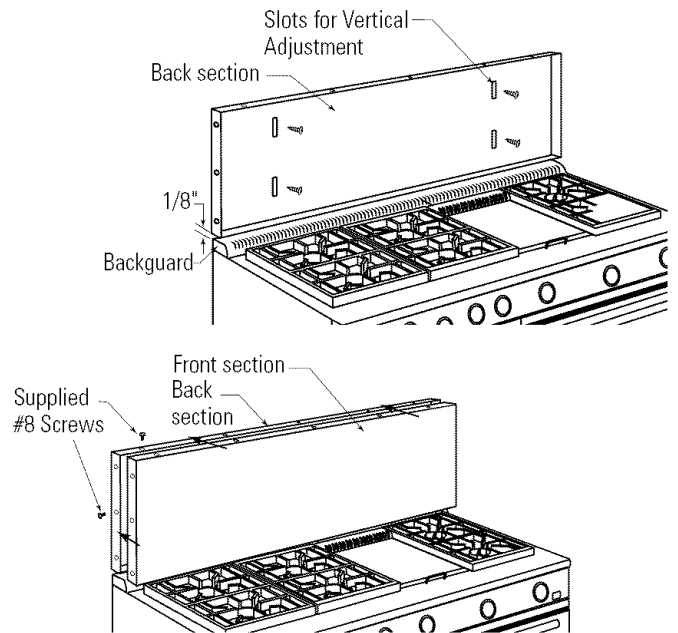
INSTALLATION CHECKLIST

- Double check to make sure everything in this manual has been completed. Rechecking steps will ensure safe use of the range.
- Make sure all controls are left in the OFF position.
- Make sure the flow of combustion and ventilation air to the range is unobstructed.
- The serial plate is located beneath the ledge trim on the left side, just above the left knob. In addition to the model and serial numbers, it tells you the ratings of the burners and the type of fuel and pressure the range was adjusted for when it left the factory.
- When ordering parts, always include the serial number, model number and a code letter to ensure proper replacement parts.
- Recheck Steps:**
Double check to make sure everything in this manual has been completed. Rechecking steps will ensure safe use of the range.

Installation

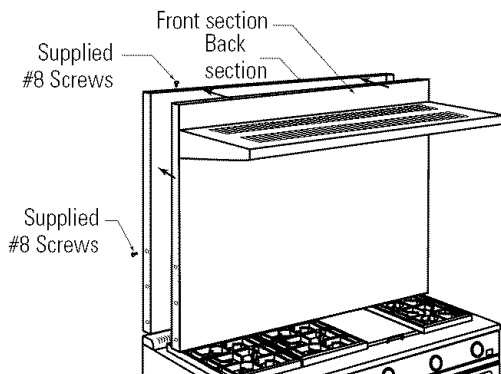
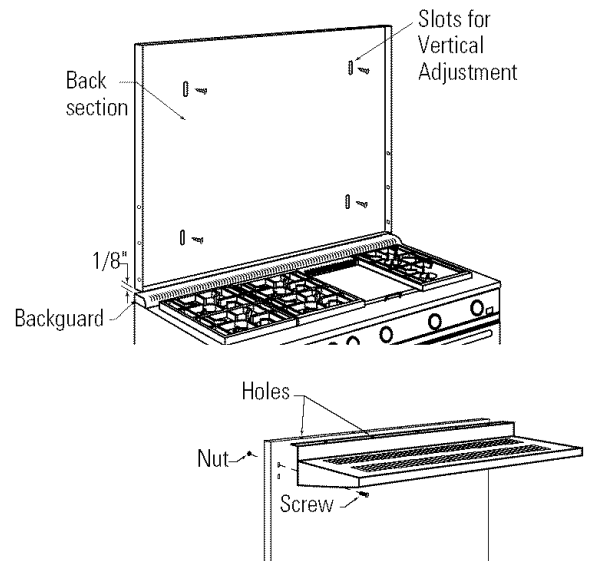
INSTALL 9" or 12" HIGH BACKSPLASH

- Install and level the range or cooktop according to the installation instructions.
- Remove the backsplash packaging. Select the back, wall mount panel with mounting screw slots.
- Mark a horizontal line on the wall, 1/8" above the range/cooktop backguard.
- Use wood screws or fasteners (not supplied) to secure the back section to the wall. Slide the panel up or down to provide the 1/8" gap between the top of the range/cooktop and the bottom of the backsplash. This 1/8" gap allows the appearance or front section to overlap the mounted rear panel.
- Secure the appearance panel to the mounted back section with the # 8 self-tapping screws provided. Install 3 screws on each side and 5 across the top.



INSTALL 22" HIGH BACKSPLASH

- Install and level the range or cooktop according to the installation instructions.
- Remove the backsplash packaging. Select the back, wall mount panel with mounting screw slots.
- Mark a horizontal line on the wall, 1/8" above the range/cooktop backguard.
- Use wood screws or fasteners (not supplied) to secure the back section to the wall. Slide the panel up or down to provide the 1/8" gap between the top of the range/cooktop and the bottom of the backsplash. This 1/8" gap allows the appearance or front section to overlap the mounted rear panel.
- Attach the shelf to the front section of the backsplash using screws and nuts supplied.
- Secure the appearance panel to the mounted back section with the # 8 self-tapping screws provided. Install 3 screws on each side and 5 across the top.



WARNING:

The back section must be securely fastened to the wall. Failure to do so could cause damage or personal injury. Maximum shelf weight capability is 10 lbs.



AVERTISSEMENT :

La section arrière doit être fixée solidement sur le mur. Le défaut de procéder ainsi peut causer des dommages matériels ou des lésions corporelles. La capacité de charge maximale de l'étagère est de 4,5 kg (10 lbs).

NOTE: While performing installations described in this book, safety glasses or goggles should be worn.

For Monogram® local service in your area, call 1.800.444.1845.

NOTE: Product improvement is a continuing endeavor at General Electric. Therefore, materials, appearance and specifications are subject to change without notice.

Pub. No. 49-80222-1
Part No. 164D4290P374

17681 Rev. B
12-04 JR



Monogram.®

GE Consumer & Industrial
Louisville, KY 40225

©2004 GE Company