

# **KitchenAid®**

---

## *briva*® IN-SINK DISHWASHER

(For Residential Use Only)

Use & Care Guide

For questions about features, operation/performance, parts, accessories or service, call: **1-800-422-1230**  
In Canada, call for assistance **1-800-461-5681**, for installation and service, call: **1-800-807-6777** or visit our website at...  
[www.kitchenaid.com](http://www.kitchenaid.com) or [www.KitchenAid.ca](http://www.KitchenAid.ca)

---

## LAVE-VAISSELLE EN ÉVIER *briva*®

(Pour utilisation résidentielle seulement)

Guide d'utilisation et d'entretien

Au Canada, pour assistance composez le **1-800-461-5681**, pour installation ou service composez le **1-800-807-6777** ou visitez notre site web à...  
[www.KitchenAid.ca](http://www.KitchenAid.ca)

---

Table of Contents/Table des matières..... 2



Models/ Modèles KIDS36EP, KIDS42EP  
8564765A

---

## TABLE OF CONTENTS

<b>DISHWASHER SAFETY</b> .....	<b>3</b>
Before Using Your Dishwasher .....	4
<b>PARTS AND FEATURES</b> .....	<b>5</b>
<b>START-UP GUIDE</b> .....	<b>6</b>
Using Your New Dishwasher .....	6
Using Your New Dishwasher As a Sink .....	7
<b>DISHWASHER LOADING</b> .....	<b>7</b>
Loading Suggestions .....	7
Loading Rack .....	7
Loading Silverware Basket .....	9
<b>DISHWASHER USE</b> .....	<b>9</b>
Detergent Use .....	9
Rinse Aid Dispenser .....	10
Dishwasher Performance Tips .....	10
Cycle Selection Charts .....	10
Canceling a Cycle .....	11
Changing a Cycle or Setting .....	11
Adding Items During a Cycle .....	11
Option Selections .....	11
Status Indicators .....	12
<i>briva</i> ® In-Sink Wash System .....	12
Drying System .....	12
<b>WASHING SPECIAL ITEMS</b> .....	<b>13</b>
<b>DISHWASHER CARE</b> .....	<b>14</b>
Cleaning .....	14
Drain Air Gap .....	15
Storing .....	15
<b>TROUBLESHOOTING</b> .....	<b>15</b>
<b>ASSISTANCE OR SERVICE</b> .....	<b>17</b>
In the U.S.A. ....	17
In Canada .....	17
<b>WARRANTY</b> .....	<b>18</b>

---

## TABLE DES MATIÈRES

<b>LA SÉCURITÉ DU LAVE-VAISSELLE</b> .....	<b>19</b>
Avant d'utiliser le lave-vaisselle .....	20
<b>PIÈCES ET CARACTÉRISTIQUES</b> .....	<b>21</b>
<b>GUIDE DE MISE EN MARCHÉ</b> .....	<b>22</b>
Utilisation de votre nouveau lave-vaisselle .....	22
Utilisation de votre nouveau lave-vaisselle comme évier .....	23
<b>CHARGEMENT DU LAVE-VAISSELLE</b> .....	<b>23</b>
Suggestions de chargement .....	23
Chargement du panier .....	23
Chargement du panier à couverts .....	25
<b>UTILISATION DU LAVE-VAISSELLE</b> .....	<b>25</b>
Utilisation de détergent .....	25
Distributeur d'agent de rinçage .....	26
Conseils de performance pour le lave-vaisselle .....	26
Tableaux de sélection de programmes .....	27
Annulation d'un programme .....	27
Changement d'un programme ou réglage .....	28
Addition de vaisselle durant un programme .....	28
Sélection d'options .....	28
Indicateurs d'état d'avancement du programme .....	29
Système de lavage en évier <i>briva</i> ® .....	29
Système de séchage .....	29
<b>LAVAGE D'ARTICLES SPÉCIAUX</b> .....	<b>30</b>
<b>ENTRETIEN DU LAVE-VAISSELLE</b> .....	<b>31</b>
Nettoyage .....	31
Dispositif anti-refoulement .....	32
Remisage .....	32
<b>DÉPANNAGE</b> .....	<b>32</b>
<b>ASSISTANCE OU SERVICE</b> .....	<b>34</b>
<b>GARANTIE</b> .....	<b>35</b>

# DISHWASHER SAFETY

## Your safety and the safety of others are very important.

We have provided many important safety messages in this manual and on your appliance. Always read and obey all safety messages.



This is the safety alert symbol.

This symbol alerts you to potential hazards that can kill or hurt you and others.

All safety messages will follow the safety alert symbol and either the word "DANGER" or "WARNING." These words mean:

**⚠ DANGER**

**You can be killed or seriously injured if you don't immediately follow instructions.**

**⚠ WARNING**

**You can be killed or seriously injured if you don't follow instructions.**

All safety messages will tell you what the potential hazard is, tell you how to reduce the chance of injury, and tell you what can happen if the instructions are not followed.

## IMPORTANT SAFETY INSTRUCTIONS

**WARNING:** When using the dishwasher, follow basic precautions, including the following:

- Read all instructions before using the dishwasher.
- Use the dishwasher only for its intended function.
- Use only detergents or rinse agents recommended for use in a dishwasher, and keep them out of the reach of children.
- When loading items to be washed:
  - 1) Locate sharp items so that they are not likely to damage the door seal; and
  - 2) Load sharp knives with the handles up to reduce the risk of cut-type injuries.
- Do not wash plastic items unless they are marked "dishwasher safe" or the equivalent. For plastic items not so marked, check the manufacturer's recommendations.
- Do not touch the heating element during or immediately after use.
- Do not operate the dishwasher unless all enclosure panels are properly in place.
- Do not tamper with controls.
- Do not abuse, sit on, or stand on the door, lid, or dish racks of the dishwasher.
- To reduce the risk of injury, do not allow children to play in or on the dishwasher.
- Under certain conditions, hydrogen gas may be produced in a hot water system that has not been used for two weeks or more. **HYDROGEN GAS IS EXPLOSIVE.** If the hot water system has not been used for such a period, before using the dishwasher turn on all hot water faucets and let the water flow from each for several minutes. This will release any accumulated hydrogen gas. As the gas is flammable, do not smoke or use an open flame during this time.
- Remove the door or lid to the washing compartment when removing an old dishwasher from service or discarding it.

**SAVE THESE INSTRUCTIONS**

## Before Using Your Dishwasher

### **WARNING**



#### Electrical Shock Hazard

**Plug into a grounded 3 prong outlet.**

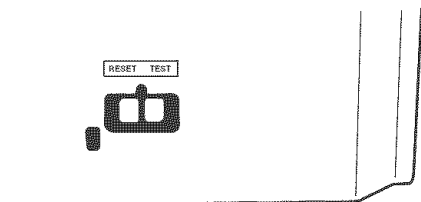
**Do not remove ground prong.**

**Do not use an adapter.**

**Do not use an extension cord.**

**Failure to follow these instructions can result in death, fire, or electrical shock.**

- Install where dishwasher is protected from the elements. Protect against freezing to avoid possible rupture of fill valve. Such ruptures are not covered by the warranty. See “Storing” in the “Dishwasher Care” section for winter storage information.
- Install and level dishwasher in a cabinet countertop that will hold the weight, and in an area suitable for its size and use.
- Remove all shipping plugs from hoses and connectors (such as the cap on the drain outlet) before installing. See Installation Instructions for complete information.
- This product is provided with a Ground Fault Circuit Interrupter (GFCI) located on the front base of the dishwasher inside the cabinet. A GFCI is designed to protect you against the dangers of line to ground electrical faults. If the appliance develops a fault of this type, the GFCI is designed to disconnect the power to the appliance. This is a built-in safety feature. The GFCI should be tested once a month.



#### Once a month test procedure:

1. Press TEST button. Indicator should be Off (no indicator visible in window).
2. Press RESET. Indicator should be On (indicator visible in window).

**NOTE:** If the GFCI fails this test, do not use the dishwasher. Call us or your nearest designated service center for service. (See “Assistance or Service” section of this manual.)

### **GROUNDING INSTRUCTIONS**

#### ■ **For a grounded, cord-connected dishwasher:**

The dishwasher must be grounded. In the event of a malfunction or breakdown, grounding will reduce the risk of electric shock by providing a path of least resistance for electric current. The dishwasher is equipped with a cord having an equipment-grounding conductor and a grounding plug. The plug must be plugged into an appropriate outlet that is installed and grounded in accordance with all local codes and ordinances.

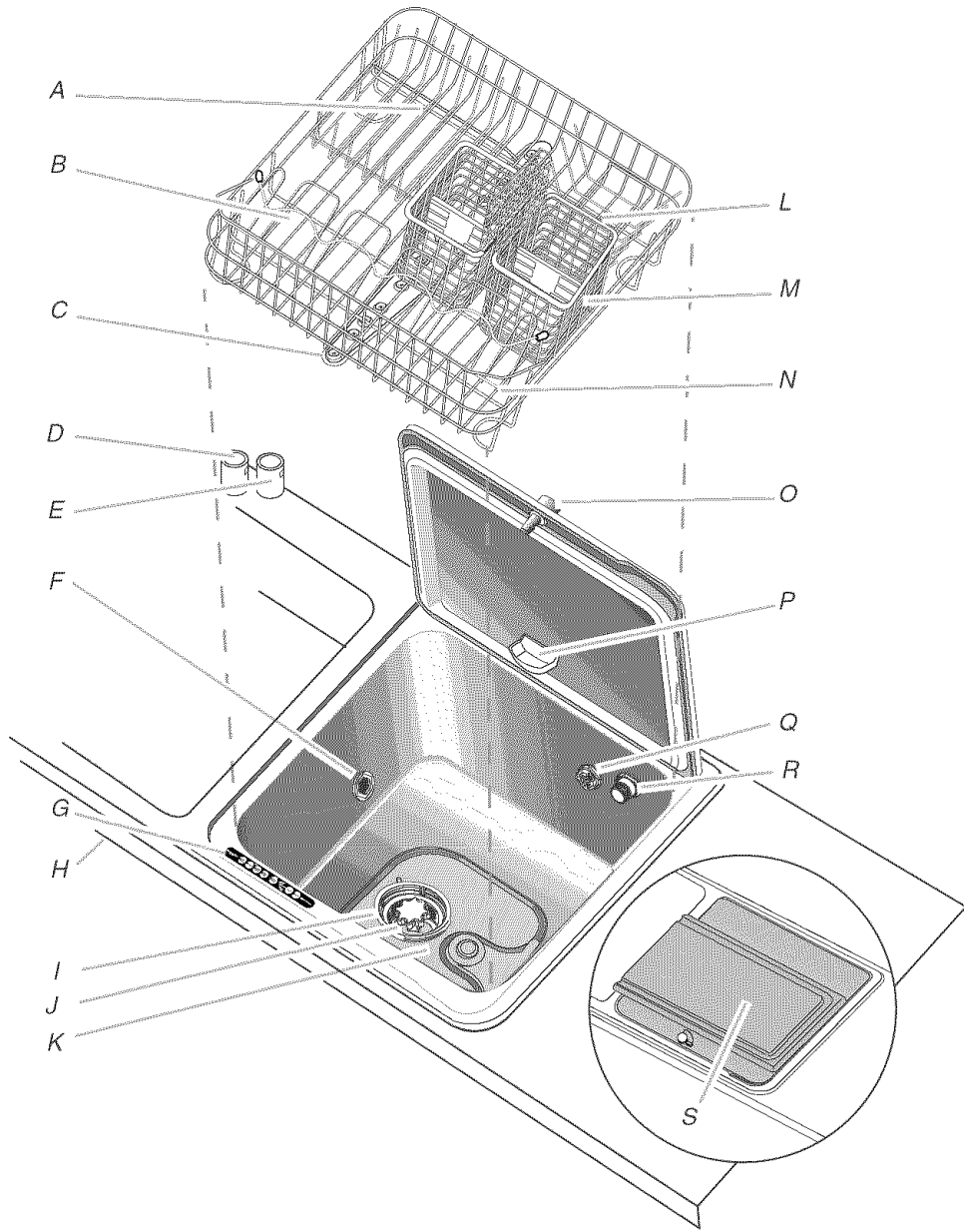
**WARNING:** Improper connection of the equipment-grounding conductor can result in a risk of electric shock. Check with a qualified electrician or service representative if you are in doubt whether the dishwasher is properly grounded. Do not modify the plug provided with the dishwasher; if it will not fit the outlet, have a proper outlet installed by a qualified electrician.

#### ■ **For a permanently connected dishwasher:**

The dishwasher must be connected to a grounded metal, permanent wiring system, or an equipment-grounding conductor must be run with the circuit conductors and connected to the equipment-grounding terminal or lead on the dishwasher.

### **SAVE THESE INSTRUCTIONS**

# PARTS AND FEATURES

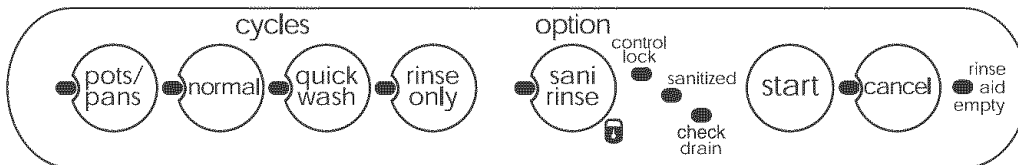


- A. Large rack insert
- B. Fold-down cup shelf
- C. Spray arm
- D. Drain air gap
- E. Fill air gap
- F. Water inlet opening

- G. Control panel
- H. Model and serial number label  
(on the front of the sink  
under the counter)
- I. Drain screen basket
- J. Drain stopper
- K. Drain fine screen
- L. Medium rack insert
- M. Silverware basket

- N. Small rack insert
- O. Lid knob latch
- P. Detergent cup
- Q. Rinse aid dispenser
- R. Rinse aid fill
- S. Wooden cutting board

## Control Panel

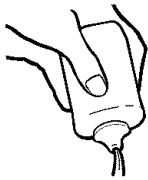


# START-UP GUIDE

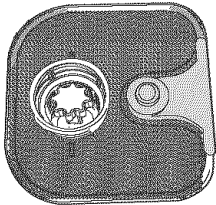
Before using your dishwasher, remove all packaging materials. Read this entire Use and Care Guide. You will find important safety information and useful operating tips.

## Using Your New Dishwasher

1. Rinse aid is essential for good drying. Be sure to fill the dispenser before you use your new dishwasher. Each filling will last about 1 to 3 months depending on your usage. (See "Rinse Aid Dispenser.")



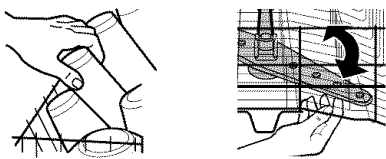
2. Scrape large food soil and hard items (toothpicks or bones) from dishes.
3. Check and clean drain assembly screens. (See "Cleaning.")



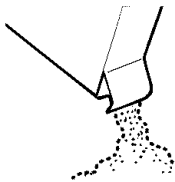
4. Insert the drain stopper and turn right ¼ turn to close.



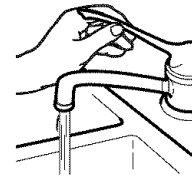
5. Properly load the dishwasher. (See "Dishwasher Loading.") Load dishes with space in between so water will reach the soiled surfaces. Make sure nothing prevents the spray arm from spinning freely.



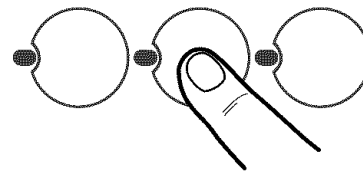
6. Add detergent. Always use a high quality brand detergent. (See "Dishwasher Use.")



7. If you do not have the hot water tank accessory, run hot water at the sink until the water is hot. (See "Dishwasher Performance Tips.") Turn off water.



8. Press the desired cycle and option selections on the control panel. Or press the Start pad to repeat the same cycle and options as the previous cycle. (See "Dishwasher Use.")

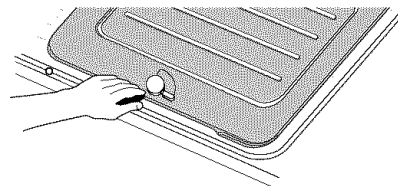


9. Press the Start pad on the top of the dishwasher opening.



The lights on the control panel will flash once.

10. Push lid firmly closed. Turn lid lever to latch.



If the lid is opened during the cycle, the cycle will stop. Close the lid firmly and the cycle will continue.

**NOTE:** If the dishwasher senses the drain stopper is not closed properly, selected cycle is canceled. Lid pops open and Check Drain indicator is lit. Insert drain stopper again and seal. Start cycle again.

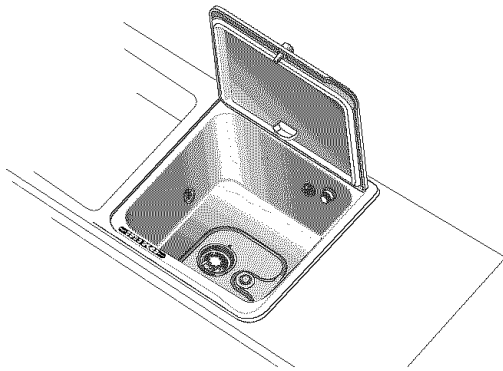
11. The lid opens automatically at the end of the cycle.

**NOTE:** Do not place anything on the dishwasher lid when running a cycle. Anything placed on the top of the lid may keep the lid from opening after a cycle, resulting in poor drying.

---

## Using Your New Dishwasher As a Sink

When you need more sink area, remove the rack and spray arm completely.



---

### To open drain

1. Turn the drain stopper assembly left  $\frac{1}{4}$  turn and lift to allow water to drain.

---

### To close drain

1. Insert drain stopper assembly so it aligns and drops down to seal against the drain.
2. Turn right  $\frac{1}{4}$  turn to lock it into place.

**NOTE:** Do not completely fill the dishwasher when using it as a sink. Make sure the sink is completely drained before using it again as a dishwasher.

---

# DISHWASHER LOADING

## Loading Suggestions

- Remove leftover food, bones, toothpicks and other hard items from the dishes. To conserve water and energy and save time it is not necessary to rinse dishes before putting them into the dishwasher.
  - It is important for the water spray to reach all soiled surfaces.
  - Load dishes so they are not stacked or overlapping if possible. For best drying, water must be able to drain from all surfaces.
  - Load heavy pots and pans gently. Heavy items can dent the stainless steel interior if they are dropped or bumped.
  - Make sure pot lids and handles, etc., do not interfere with the spray arm rotation.
  - Conserve water and energy and save time over hand rinsing by running a rinse cycle to keep dishes moist if you do not plan to wash them soon. Foods such as eggs, rice, pasta, spinach, and cooked cereals may be hard to remove if they are left to dry over a period of time.
- 

### Quiet operating tips

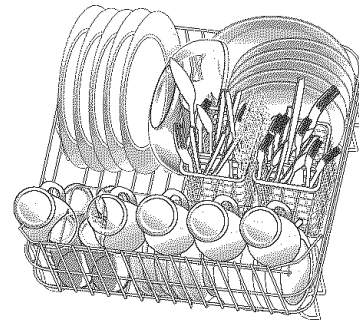
To avoid thumping/clattering noises during operation:

- Make sure lightweight load items are secured in the rack.
- Make sure pot lids and handles, etc., do not touch interior walls or interfere with the rotation of the spray arm.
- Load dishes so they do not touch one another.

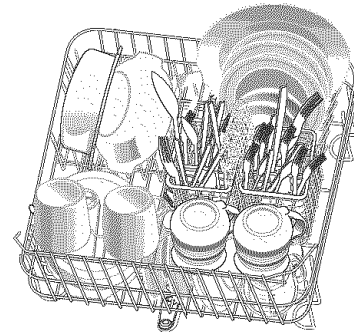
---

## Loading Rack

The rack is designed for cups, glasses, plates, pans, casseroles, and utensils. Many items, up to 11" (27.94 cm), fit in the rack. (See recommended loading patterns shown.)



5 place setting



Mixed load

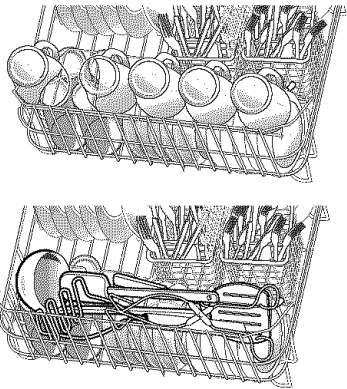
- Place items so open ends face down for cleaning and draining.
- China, crystal, and other delicate items must not touch each other during dishwasher operation. Damage may occur.
- Load small items in the rack only if they are secured in place.
- Load plastic items so the force of the spray does not move them during the cycle. Only plastic items marked "dishwasher safe" are recommended.
- To avoid chipping, do not let stemware touch other items.
- Small bowls, pans, and other utensils can be placed in the rack. Load bowls in the center section for best stability.
- Load plates, soup bowls, etc., between tines.
- Overlap the edges of plates for large loads.
- Load soup, cereal, and serving bowls in the rack in a variety of ways depending upon their size and shape. Load bowls securely between the rows of tines. Do not nest bowls because the spray will not reach all surfaces.
- Load cake pans and other large items at the sides and front. Loading such items in back can keep the water spray from reaching the Rinse Aid dispenser.
- Secure heavily soiled cookware face down in the rack.
- Make sure pot handles and other items do not stop rotation of the spray arm. The spray arm must move freely.
- Do not load items between the rack and the left side of the dishwasher tub because they might block the water inlet opening.

---

## Fold-Down Cup Shelf

---

Fold down the cup shelf on the rack front to hold additional cups, stemware or long items such as utensils and spatulas. Fold up when you need room for larger items in the main rack.

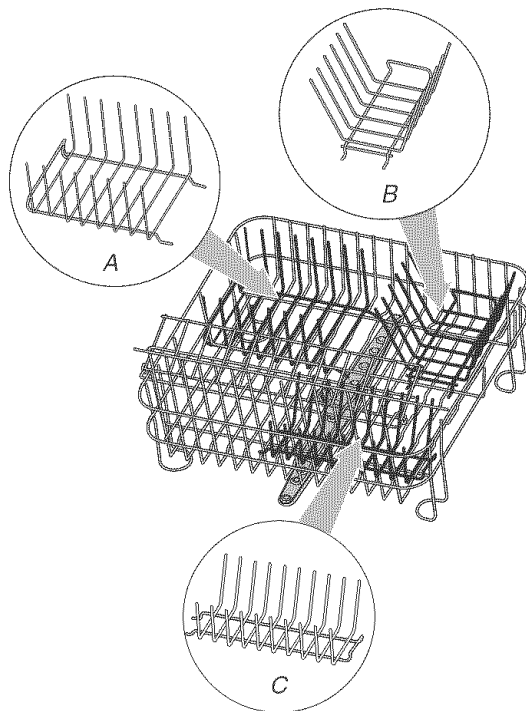


---

## Removable Rack Inserts

---

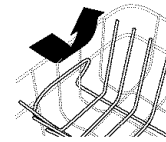
The large, medium and small removable rack inserts (see illustration below) allow you to adjust the rack for the type of load you are washing. You can remove or move one or more of the inserts to customize the rack for a particular load. This is useful when washing a variety of dishes, pots and pans, or roasters.



A. Large rack insert  
B. Medium rack insert  
C. Small rack insert

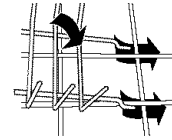
## To remove insert

Lift up on insert handle and lift insert out of rack.

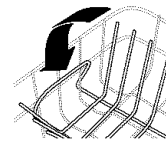


## To install insert

Place the insert end legs under the rack cross wire.



Gently push down until handle fits against outer rack edge.



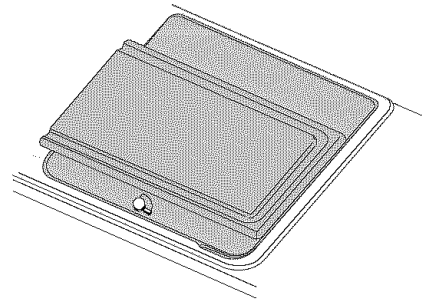
---

## Extra-large wooden cutting board

---

The movable cutting board allows you to decide the best location for food preparation. Use the cutting board on the dishwasher closed lid or any other location you choose.

**TIP:** If you use the cutting board on the lid or use the closed lid as a food preparation area, you could soil any clean dishes remaining in the dishwasher. This will require rewashing of the dishes.



**NOTE:** Remove the cutting board before running a cycle. Leaving the cutting board on the lid can keep the lid from opening at the end of the cycle, reducing drying performance. See "Cleaning" for care instructions.

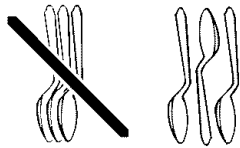


## Loading Silverware Basket

Load the silverware basket while it is in the rack or take the basket out for loading on a counter or table.



Mix items in each section of the basket with some pointing up and some down to avoid nesting. Spray cannot reach nested items.



**IMPORTANT:** Always load items (knives, skewers, etc.) pointing down.

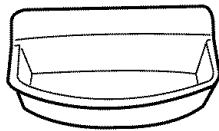
### NOTES:

- Do not load silver or silver-plated silverware with stainless steel. These metals can be damaged by contact with each other during washing.
- Some foods (such as salt, vinegar, milk products, fruit juices, etc.) can pit or corrode silverware. Run a rinse cycle if you do not have a full load to wash immediately.

## DISHWASHER USE

### Detergent Use

The detergent cup, located on the inside of the dishwasher lid, empties detergent into the dishwasher when you close the lid.



- Use automatic dishwashing detergent only. Other detergents can produce excessive suds that can overflow out of the dishwasher and reduce washing performance.
- Add detergent just before starting a cycle.
- Store tightly closed detergent in a cool, dry place. Using fresh, automatic dishwasher detergent results in better cleaning.

**NOTE:** Do not use detergent with a rinse cycle.

### How much detergent to use

- The amount of detergent to use depends on the hardness of your water and the type of detergent. If you use too little, dishes won't be clean. If you use too much in soft water, glassware will etch.
- Water hardness can change over a period of time. Find out your water's hardness by asking your local water department, water softener company, or county extension agent.
- You can order a water hardness test strip. Call us or your nearest designated service center and ask for Part Number 4171690. (See "Assistance or Service.")
- Different brands of dishwasher detergent have different amounts of phosphorus for softening water. If you have hard water and use a detergent with a phosphorous content of less than 8.7%, you might need to use more detergent, or use a detergent with a phosphorous content higher than 8.7%.

#### Water Hardness

#### Amount of Detergent

##### Soft to Medium Hard Water

0 to 6 grains per U.S. gallon

##### For normally soiled loads



- Add 2 tsp or 10 g

##### For heavily soiled loads

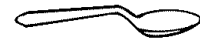


- Add 1 Tbs or 15 g

##### Medium to Hard Water

7 to 12 grains per U.S. gallon

##### For normally and heavily soiled loads



- Add 1 Tbs or 15 g

##### Very Hard Water

13 grains per U.S. gallon and above

##### For normally and heavily soiled loads



- Add 1 Tbs or 15 g

**NOTE:** Fill amounts shown are for standard powdered detergent. Amounts may vary if you use liquid or concentrated powdered detergent. Follow instructions on the package when using liquid dishwasher detergent or concentrated powdered detergent.

## Rinse Aid Dispenser

Rinse aids prevent water from forming droplets that can dry as spots or streaks. They also improve drying by allowing water to drain off of the dishes during the final rinse. Your dishwasher is designed to use a liquid rinse aid. Do not use a solid or bar-type rinse aid.

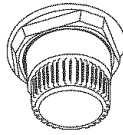
### Filling the dispenser

The rinse aid dispenser holds 3.4 oz (100 mL) of rinse aid. Under normal conditions, this will last for about 1 to 3 months. You do not have to wait until the dispenser is empty to refill it. Try to keep it full, but be sure not to overflow it.

1. Make sure the dishwasher lid is fully open. Locate the rinse aid fill on the right-hand side of the dishwasher back wall.

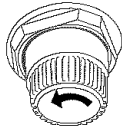


Rinse aid dispenser

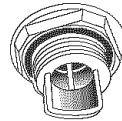


Rinse aid fill

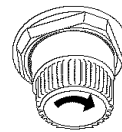
2. Open the rinse aid fill by unscrewing the cap.



3. Add rinse aid until container is full.



4. Clean up any spilled rinse aid with a damp cloth.
5. Replace the cap and tighten.



### Rinse Aid Empty indicator

When the Rinse Aid Empty indicator is lit on the control panel, you need to refill the rinse aid dispenser.

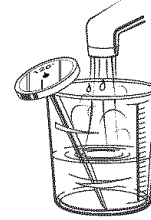


## Dishwasher Performance Tips

Hot water dissolves and activates the dishwashing detergent. Hot water also dissolves grease on dishes and helps glasses dry spot-free. For best dishwashing results, water should be 120°F (49°C) as it enters the dishwasher. Loads may not wash as well if the water temperature is too low. Water that is too hot can make some soils harder to remove and cause certain detergent ingredients not to function.

- If you have the hot water tank accessory installed, you can significantly reduce the cycle times by using the high setting.
- If you do not have a hot water tank accessory installed, you can follow these steps to check your water temperature:

1. Run hot water at the faucet closest to your dishwasher for at least 1 minute.
2. Place a candy or meat thermometer in a glass measuring cup.



3. Check the temperature on the thermometer as the water is running into the cup.

### Additional efficiency tips

- To save water and energy and time, do not rinse dishes before putting them into the dishwasher.
- Choose the cycle that describes the most difficult soil on your dish load.
- Do not worry about mixed loads. Any item that is dishwasher safe can be washed using any cycle.
- During the summer, run your dishwasher at night. This reduces daytime heat buildup in the kitchen.
- Use a rinse aid to improve drying.
- Use cycles or options that add extra heat to the wash or rinse portion of the cycle for better performance.
- Run your dishwasher with full loads. Run a rinse cycle after meals until the dishwasher is full.
- If your home is equipped with a water softener, you may want to avoid starting the dishwasher during the regeneration of the softener, since this may contribute to poor wash performance.

## Cycle Selection Charts

Select the wash cycle and option desired or press the Start pad to repeat the same cycle and option as the previous cycle.

**NOTE:** If the last cycle you completed was a rinse cycle, the dishwasher will run the last full wash cycle and option that you selected when you press the Start pad.

A “●” shows what steps are in each cycle.

Temperatures indicate where extra heat is added.

Water usage is shown in U.S. gallons/liters.

Cycle time includes dry time. An asterisk ( \* ) by the cycle time indicates the cycle time will be longer depending on the temperature of the water entering the dishwasher. The cooler the water, the longer the cycle time.

### Pots/Pans

Use this cycle for heavily soiled pots, pans, casseroles, and regular tableware.

Main Wash	Rinse	Purge†	Rinse	Final Heated Rinse	Dry	Time (min)	Water Usage (gal/L)
● 145°F (61°C)	●	●	●	● 145°F (61°C)	●	49*	4.1/ 15.7

## Changing a Cycle or Setting

### During the first fill of a cycle

1. Open the lid.
2. Press a new cycle and/or options.
3. Check the detergent. Dishwasher must contain the proper amount for the new cycle.
4. Close and latch the lid. The dishwasher resumes the new cycle and/or option after a 5-second pause.

### After the first fill of a cycle

1. Open the lid.
2. Press the Cancel pad.
3. Close the lid. Your dishwasher starts a drain. Let the dishwasher drain completely.
4. Open the lid.
5. Select a new cycle and/or options.
6. Check the detergent. Dishwasher must contain the proper amount for the new cycle.
7. Press the Start pad.
8. Close and latch the lid.

## Adding Items During a Cycle

You can add an item anytime before the main wash starts. Open the lid and check the detergent amount. If the detergent is still visible, you can add items.

### To add items

1. Turn the knob latch to stop the cycle. Wait for the spraying action to stop before opening the lid completely.
2. Open the lid. If the detergent is still visible in the wash water, you may add the item.
3. Close the lid firmly and turn knob to latch. The dishwasher resumes the cycle after a 5-second pause.

## Option Selections

You can customize your cycles by pressing the SANI RINSE™ option. If you change your mind, press the option again to turn the option off.

You can change an option anytime before the selected option begins.

Press the Start pad to repeat the same cycle and option as the previous wash cycle.

**NOTE:** If the last cycle you completed was a rinse cycle, when you press the Start pad, the dishwasher runs the last full wash cycle and option.

### SANI RINSE™ Option

Select this option to raise the water temperature in the final rinse to approximately 160°F (71°C). The SANI RINSE™ option adds heat and time to the cycle.

**NOTE:** SANI RINSE™ is an option with the Pots/Pans, Normal, and Quick Wash cycles.

### Normal

Use this cycle for loads with normal amounts of food soil. (The energy-usage label is based on this cycle.)

Main Wash	Rinse	Purge†	Rinse	Final Heated Rinse	Dry	Time (min)	Water Usage (gal/L)
● 145°F (61°C)	●	●	●	● 145°F (61°C)	●	37*	4.1/ 15.7

### Quick Wash

Use this cycle for light loads, light soil or glassware.

Main Wash	Rinse	Final Heated Rinse	Dry	Time (min)	Water Usage (gal/L)
● 145°F (61°C)	●	● 145°F (61°C)	●	21*	2.5/9.5

### Rinse Only

Use this rinse cycle for rinsing dishes, glasses, and silverware that will not be washed right away.

**Do not use detergent with this cycle.**

Main Wash	Rinse	Final Heated Rinse	Dry	Time (min)	Water Usage (gal/L)
	●			3	0.9/3.5

†A small amount of water is run through the pump to remove soil particles.

## Canceling a Cycle

Anytime during a cycle, open the lid. Then press CANCEL and close the lid.

The dishwasher starts a drain. Let the dishwasher drain completely. Select a new cycle.

### To stop the drain

You can press CANCEL again to stop the drain immediately. Remember to drain the dishwasher before starting a new cycle.

### To clear the indicators

Press CANCEL before starting the dishwasher to clear all options and cycles.

---

## Control Lock

---

Use Control Lock to prevent unintended use of the dishwasher. You can also use the control lock feature to prevent unintended cycle or option changes during a cycle.



When Control Lock is lit, all buttons are disabled.

### NOTES:

- The dishwasher lid can be opened while the controls are locked.
- You can turn on the lock while the dishwasher is running.

### To turn on the lock

Press and hold



for 4 seconds. Control Lock glows.

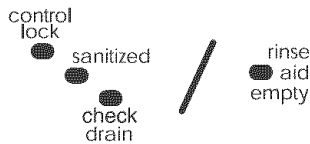
If you press any pad while your dishwasher control is locked, the light flashes 3 times.

### To turn off the lock

Press and hold SANI RINSE™ option control for 4 seconds. The light turns off.

---

## Status Indicators



---

## Control Lock

---

When Control Lock is lit, all buttons are disabled.

---

## Sanitized

---

If you select the SANI RINSE™ option, the Sanitized indicator glows when the SANI RINSE™ cycle is finished. If your dishwasher did not properly sanitize your dishes, the light flashes at the end of the cycle. This can happen if the cycle is interrupted or the incoming water temperature is too low. The light goes off when you open and close the lid.

---

## Check Drain

---

If the dishwasher senses the drain stopper is not closed properly, the cycle immediately ends, the lid pops open, and the Check Drain indicator is lit.

---

## Rinse Aid Empty

---

Fill the rinse aid dispenser when Rinse Aid Empty is lit. A rinse aid prevents water from forming droplets that can dry as spots or streaks. Rinse aid is essential for good drying.

If the rinse aid dispenser is empty, the light glows when you select a cycle or while a cycle is running.

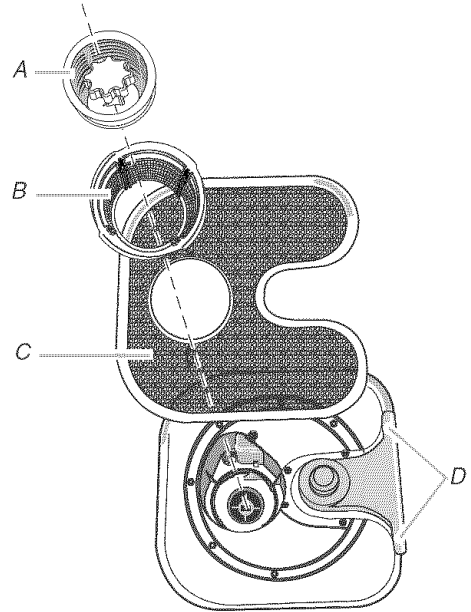
---

---

## briva® In-Sink Wash System

The three-level wash system provides excellent cleaning results. Three levels of filtration filter the wash water and prevent food particles from redepositing on the clean dishes.

- A coarse strainer as part of the drain stopper assembly, prevents bones, pits, and other large objects from entering the pump system.
- Items small enough to pass through the coarse stainer are caught in the drain screen basket.
- The wash water continuously flows through the drain fine filter screen, trapping food particles.



A. Drain stopper assembly with coarse strainer  
B. Drain screen basket  
C. Drain fine filter screen  
D. Fine screen filter holder

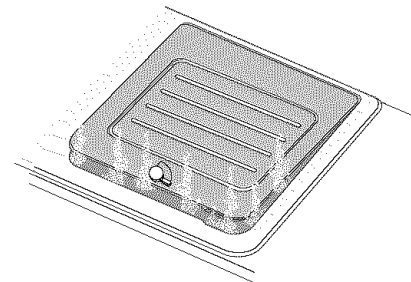
- Two water jets, located under the spray arm, remove the food particles from the drain fine filter screen.

**NOTE:** Before each wash load, check the coarse strainer, the drain screen basket and the drain fine filter screen and remove any objects and soil particles. See "Cleaning" for further instructions.

---

## Drying System

The briva® in-sink wash system features FLASHDRY® instant drying. At the end of the cycle, the lid automatically pops open, and vapor escapes. This results in fast, efficient drying of your dishes.



**IMPORTANT:** The vapor is hot. Do not touch the lid opening during drying. Do not place anything on top of the lid when running a cycle. Anything placed on the top of the lid may keep the lid from opening after a cycle, resulting in poor drying.

# WASHING SPECIAL ITEMS

If you have doubts about washing a particular item, check with the manufacturer to see if it is dishwasher safe.

Material	Dishwasher Safe?/Comments
Aluminum	<b>Yes</b> High water temperature and detergents can affect finish of anodized aluminum.
Disposable Aluminum	<b>No</b> Do not wash throwaway aluminum pans in the dishwasher. These might shift during washing and transfer black marks to dishes and other items.
Bottles and Cans	<b>No</b> Wash bottles and cans by hand. Labels attached with glue can loosen and clog the spray arms or pump and reduce washing performance.
Cast Iron	<b>No</b> Seasoning will be removed, and iron will rust.
China/ Stoneware	<b>Yes</b> Always check manufacturer's recommendations before washing. Antique, hand-painted, or over-the-glaze patterns may fade. Gold leaf can discolor or fade.
Crystal	<b>Yes</b> Always check manufacturer's recommendations before washing. Some types of leaded crystal can etch with repeated washing.
Gold	<b>No</b> Gold-colored flatware will discolor.
Glass	<b>Yes</b> Milk glass yellows with repeated dishwasher washing.
Hollow-Handle Knives	<b>No</b> Handles of some knives are attached to the blade with adhesives which can loosen if washed in the dishwasher.

Material	Dishwasher Safe?/Comments
Pewter, Brass, Bronze	<b>No</b> High water temperatures and detergent can discolor or pit the finish.
Disposable Plastics	<b>No</b> Cannot withstand high water temperatures and detergents.
Plastics	<b>Yes</b> Always check manufacturer's recommendations before washing. Plastics vary in their capacity to withstand high temperatures and detergents. Load plastics in top rack only.
Stainless Steel	<b>Yes</b> Run a rinse cycle if not washing immediately. Prolonged contact with food containing salt, vinegar, milk products, or fruit juice can damage finish.
Sterling Silver or Silver Plate	<b>Yes</b> Run a rinse cycle if not washing immediately. Prolonged contact with food containing salt, acid, or sulfide (eggs, mayonnaise, and seafood) can damage finish.
Tin	<b>No</b> Can rust.
Wooden Ware	<b>No</b> Wash by hand. Always check manufacturer's instructions before washing. Untreated wood can warp, crack, or lose its finish.

---

# DISHWASHER CARE

---

## Cleaning

---

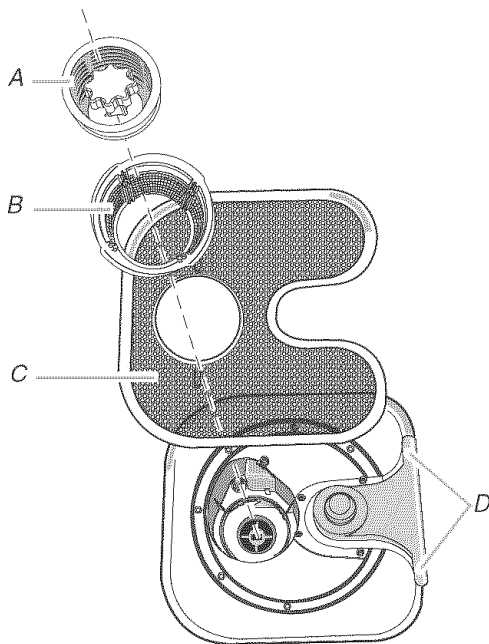
### Cleaning the drain screen assembly

---

Before each wash load, check the coarse strainer, the drain screen basket and the drain fine filter screen and remove any objects and soil particles.

#### To remove the drain screen assembly for cleaning

1. Turn the drain stopper assembly  $\frac{1}{4}$  turn to the left to release and lift up. Clean basket.
2. Turn the drain screen basket to the left until you feel release and lift up. Clean the screen.
3. Lift the drain fine filter screen up and slide right edges out of the holder. Clean screen.



A. Drain stopper assembly with coarse strainer  
B. Drain screen basket  
C. Drain fine filter screen  
D. Fine filter screen holder

#### To install the drain screen assembly after cleaning

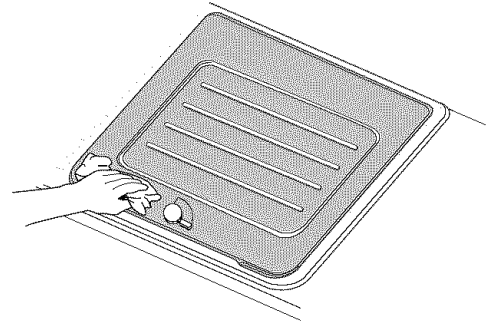
1. Slide the right edge of the drain fine filter screen under the holders in the floor of the dishwasher and move into position.
2. Insert the drain screen basket into the opening and turn to the right slightly until it locks into position.
3. Install the drain stopper assembly until it drops into position and turn right  $\frac{1}{4}$  turn to lock into place.

---

### Cleaning the exterior

---

In most cases, regular use of a soft, damp cloth or sponge and a mild detergent is all that is necessary to keep the outside of your dishwasher looking nice and clean.



#### To clean the wooden cutting board

Wash in warm, soapy water and dry completely. Oil frequently with mineral or linseed oil, following the instructions on the container.

#### NOTES:

- Do not put wood into the dishwasher or microwave.
- Do not soak.
- Avoid extremes in temperatures — do not plunge into very hot water or store in the refrigerator.

---

### Cleaning the interior

---

Hard water minerals can cause a white film to build up on the inside surfaces, especially just beneath the lid area.

Do not clean the dishwasher interior until it has cooled. You may want to wear rubber gloves. Do not use any type of cleanser other than dishwasher detergent because it may cause foaming or sudsing.

#### To clean interior

Make a paste with powdered dishwasher detergent on a damp sponge and clean.

#### OR

Use liquid automatic dishwasher detergent and clean with a damp sponge.

#### OR

See the vinegar rinse procedure in "Spotting and filming on dishes" in "Troubleshooting."

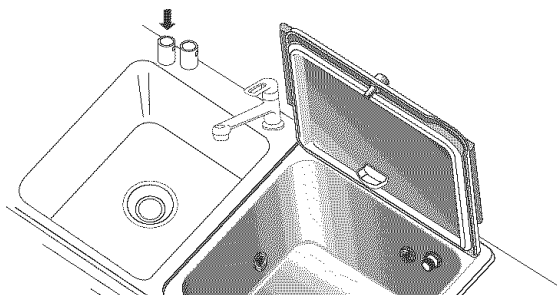
**NOTE:** Run a Normal cycle with detergent after cleaning the interior.

---

## Drain Air Gap

Check the drain air gap anytime your dishwasher isn't draining well.

If a drain is clogged, the drain air gap protects your dishwasher from water backing up into it.



---

## To clean the drain air gap

Clean the drain air gap periodically to ensure proper drainage of your dishwasher. Lift off the outer cover. Unscrew the plastic cap. Then check for any soil buildup. Clean if necessary.

**NOTE:** The fill air gap is located to the right of the drain air gap and does not require maintenance.

---

---

## Storing

---

### Storing for the summer

Protect your dishwasher during the summer months by turning off the water supply and power supply to the dishwasher.

---

### Winterizing your dishwasher

Protect your dishwasher and home against water damage due to freezing water lines. If your dishwasher is left in a seasonal dwelling or could be exposed to near freezing temperatures, have your dishwasher winterized by authorized service personnel.

---

---

# TROUBLESHOOTING

**First try the solutions suggested here and possibly avoid the cost of a service call...**

---

## Dishwasher is not operating properly

### ■ Dishwasher does not run or stops during a cycle

Is the lid closed tightly and latched?

Is the right cycle selected? Refer to the "Cycle Selection Charts."

Is there power to the dishwasher? Has a household fuse blown, or has a circuit breaker tripped?

Has the Ground Fault Circuit Interrupter (GFCI) tripped? Press the Reset button. Indicator should be visible inside the indicator window. Refer to the "Before Using Your Dishwasher" section. If the GFCI does not reset, call for service.

Has the motor stopped due to an overload? The motor automatically resets itself within a few minutes. If it does not restart, call for service.

Is the Drain stopper closed? If it is not closed properly, selected cycle immediately ends, lid pops open, and Check Drain indicator is lit.

### ■ Dishwasher will not fill

Is the water shut-off valve (if installed) turned on?

### ■ Dishwasher seems to run too long

Is the water supplied to the dishwasher hot enough? The dishwasher runs longer while heating water. Refer to the "Dishwasher Performance Tips" section.

A delay automatically occurs in some wash and rinse cycles until the water reaches the proper temperature.

### ■ Water remains in the dishwasher

Is the cycle complete?

### ■ Odor in the dishwasher

Are dishes washed only every 2 or 3 days? Run a rinse cycle once or twice a day until you have a full load.

Does the dishwasher have a new plastic smell? Run a vinegar rinse as described in "Spotting and filming on dishes" later in this Troubleshooting guide.

---

## Dishes are not completely clean

### ■ Food soil left on the dishes

Is the dishwasher loaded correctly? Refer to the "Dishwasher Loading" section.

Is the water temperature too low? For best dishwashing results, water should be 120°F (49°C) as it enters the dishwasher. Refer to the "Dishwasher Performance Tips" section.

Did you use the correct amount of fresh detergent? Use recommended dishwasher detergents only. Refer to the "Detergent Use" section. Do not use less than 1 tsp (5 g) per load. Detergent must be fresh to be effective. Store detergent in a cool, dry area. Heavy soil and/or hard water generally require extra detergent.

Is the pump or spray arm clogged by labels from bottles and cans?

Is the home water pressure high enough for proper dishwasher filling? Home water pressure should be 20 to 120 psi (138 to 828 kPa) for proper dishwasher fill. If you have questions about your water pressure, call a licensed, qualified plumber.

Are high suds slowing the wash arm? Do not use soap or laundry detergents. Use recommended dishwasher detergents only.

---

## Spots and stains on dishes

---

### ■ Spotting and filming on dishes

Is your water hard or is there a high mineral content in your water? Conditioning the final rinse water with a liquid rinse aid helps eliminate spotting and filming. Keep the rinse aid dispenser filled.

Is the water temperature too low? For best dishwashing results, water should be 120°F (49°C) as it enters the dishwasher. Refer to the “Dishwasher Performance Tips” section.

Did you use the correct amount of effective detergent? Use recommended dishwasher detergents only. Refer to the “Detergent Use” section. Do not use less than 1 tsp (5 g) per load. Detergent must be fresh to be effective. Store detergent in a cool, dry area. Heavy soil and/or hard water generally require extra detergent.

Is the home water pressure high enough for proper dishwasher filling? Home water pressure should be 20 to 120 psi (138 to 828 kPa) for proper dishwasher fill. If you have questions about your water pressure, call a licensed, qualified plumber.

**NOTE:** To remove spots and film from dishes, try a white vinegar rinse. This procedure is intended for occasional use only. Vinegar is an acid, and using it too often could damage your dishwasher.

1. Wash and rinse dishes. Remove all silverware or metal items.
2. Put 1 cup (250 mL) white vinegar in a glass or dishwasher-safe measuring cup on the rack.
3. Run the dishwasher through a complete washing cycle. Do not use detergent. Vinegar will mix with the wash water.

### ■ Silica film or etching (silica film is a milky, rainbow-colored deposit; etching is a cloudy film)

Sometimes there is a water/chemical reaction with certain types of glassware. This is usually caused by some combination of soft or softened water, alkaline washing solutions, insufficient rinsing, overloading the dishwasher, and the heat of drying. It might not be possible to prevent the problem, except by hand washing.

To slow this process use a minimum amount of detergent but not less than 1 tsp (5 g) per load. Use a liquid rinse aid and underload the dishwasher to allow thorough rinsing. Silica film and etching are permanent and cannot be removed.

### ■ White spots on cookware with nonstick finish

Has the dishwasher detergent removed cookware seasoning? Reseason cookware after washing in the dishwasher.

### ■ Brown stains on dishes and dishwasher interior

Does your water have high iron content? Rewash dishes using 1-3 tsp (5-15 g) of citric acid crystals added to the detergent dispenser. Do not use detergent. Follow with a Normal wash cycle with detergent. If treatment is needed more often than every other month, the installation of an iron removal unit is recommended.

### ■ Black or gray marks on dishes

Are aluminum items rubbing dishes during washing? Disposable aluminum items can break down in the dishwasher and cause marking. Hand wash these items. Remove aluminum markings by using a mild abrasive cleaner.

### ■ Orange stains on plastic dishes or dishwasher interior

Are large amounts of tomato-based foods on dishes placed in the dishwasher? Stains gradually fade over time. Stains will not affect dishwasher performance. Regular use of a rinse cycle will reduce the likelihood of staining.

---

## Dishes do not dry completely

---

### ■ Dishes are not dry

Did you load your dishwasher to allow proper water drainage? Do not overload. Refer to the “Dishwasher Loading” section. Use a liquid rinse aid to speed drying.

Are the plastics wet? Plastics often need towel drying.

Is the rinse aid dispenser empty? Refer to the “Rinse Aid Dispenser” section.

---

## Dishes are damaged during a cycle

---

### ■ Chipping of dishes

Did you load the dishwasher properly? Load the dishes and glasses so they are stable and do not strike together from washing action.

**NOTE:** Antiques, feather-edged crystal, and similar types of china and glassware might be too delicate for automatic dishwashing. Wash by hand.

---

## Scratches

---

### ■ Minor scratches on the surface of the sink or dishwasher

Scouring with a mild abrasive kitchen cleaner in the direction of the grain lines will blend scratches into the finish of the sink.



---

# ASSISTANCE OR SERVICE

---

Before calling for assistance or service, please check “Troubleshooting.” It may save you the cost of a service call. If you still need help, follow the instructions below.

When calling, please know the purchase date and the complete model and serial number of your appliance. This information will help us to better respond to your request.

---

## If you need replacement parts

---

If you need to order replacement parts, we recommend that you use only factory specified parts. These parts will fit right and work right, because they are made with the same precision used to build every new KITCHENAID® appliance.

To locate factory specified parts in your area, call us or your nearest designated service center.

---

## In the U.S.A.

Call the KitchenAid Customer eXperience Center toll free: **1-800-422-1230**.

**Our consultants provide assistance with:**

- Features and specifications on our full line of appliances.
- Installation information.
- Use and maintenance procedures.
- Accessory and repair parts sales.
- Specialized customer assistance (Spanish speaking, hearing impaired, limited vision, etc.).
- Referrals to local dealers, repair parts distributors, and service companies. KitchenAid designated service technicians are trained to fulfill the product warranty and provide after-warranty service, anywhere in the United States.

To locate the KitchenAid designated service company in your area, you can also look in your telephone directory Yellow Pages.

---

## For further assistance

---

If you need further assistance, you can write to KitchenAid with any questions or concerns at:

KitchenAid Brand Home Appliances  
Customer eXperience Center  
553 Benson Road  
Benton Harbor, MI 49022-2692

Please include a daytime phone number in your correspondence.

---

## In Canada

Call the KitchenAid Canada Customer Interaction Centre toll free: **1-800-461-5681** Monday to Friday 8:00 a.m. - 6:00 p.m. (EST). Saturday 8:30 a.m. - 4:30 p.m. (EST).

**Our consultants provide assistance with:**

- Features and specifications on our full line of appliances.
- Referrals to local dealers.

---

## For service in Canada

---

Call **1-800-807-6777**. KitchenAid designated service technicians are trained to fulfill the product warranty and provide after-warranty service, anywhere in Canada.

---

## For further assistance

---

If you need further assistance, you can write to KitchenAid Canada with any questions or concerns at:

KitchenAid Canada  
Customer Interaction Centre  
1901 Minnesota Court  
Mississauga, Ontario L5N 3A7

Please include a daytime phone number in your correspondence.

---

# KITCHENAID® DISHWASHER WARRANTY

---

## ONE-YEAR FULL WARRANTY

For one year from the date of purchase, when this dishwasher is operated and maintained according to instructions attached to or furnished with the product, KitchenAid or KitchenAid Canada will pay for factory specified parts and repair labor costs to correct defects in materials or workmanship. Service must be provided by a KitchenAid designated service company.

---

## SECOND THROUGH FIFTH YEAR LIMITED WARRANTY ON NYLON COATED DISHRACKS, WASH AND DRAIN MOTOR, AND ELECTRONIC CONTROL SYSTEM

In the second through fifth years from the date of purchase, when this dishwasher is operated and maintained according to instructions attached to or furnished with the product, KitchenAid or KitchenAid Canada will pay for factory specified parts for the following components if defective in materials or workmanship: the upper and lower nylon racks, the wash and drain motor, the electronic controls.

---

## LIFETIME FULL WARRANTY ON STAINLESS STEEL TUB AND LID

For the lifetime of the product from the date of purchase, when this dishwasher is operated and maintained according to instructions attached to or furnished with the product, KitchenAid or KitchenAid Canada will pay for factory specified parts and repair labor costs for the stainless steel tub and/or lid if the tub and/or lid develops a water leak caused by rust-through resulting from defective materials or workmanship. Service must be provided by a KitchenAid designated service company.

---

### KitchenAid or KitchenAid Canada will not pay for:

1. Service calls to correct the installation of your dishwasher, to instruct you how to use your dishwasher, to replace house fuses or correct house wiring or plumbing.
2. Repairs when your dishwasher is used in other than normal, single-family household use.
3. Damage resulting from accident, alteration, misuse, abuse, fire, floods, acts of God, improper installation, or installation not in accordance with local electrical and plumbing codes, or the use of products not approved by KitchenAid or KitchenAid Canada.
4. Any labor costs during the limited warranty period.
5. Replacement parts or repair labor costs for units operated outside the United States or Canada.
6. Pickup and delivery. This product is designed to be repaired in the home.
7. Repairs to parts or systems resulting from unauthorized modifications made to the appliance.
8. In Canada, travel or transportation expenses for customers who reside in remote areas.

---

### KITCHENAID OR KITCHENAID CANADA SHALL NOT BE LIABLE FOR INCIDENTAL OR CONSEQUENTIAL DAMAGES.

Some states or provinces do not allow the exclusion or limitation of incidental or consequential damages, so this exclusion or limitation may not apply to you. This warranty gives you specific legal rights and you may also have other rights which may vary from state to state or province to province.

**Outside the 50 United States and Canada, this warranty does not apply. Contact your authorized KitchenAid dealer to determine if another warranty applies.**

If you need service, first see "Troubleshooting." Additional help can be found by checking "Assistance or Service," or by calling our Customer eXperience Center at **1-800-422-1230**, from anywhere in the U.S.A. or write: KitchenAid Brand Home Appliances, Customer eXperience Center, 553 Benson Road, Benton Harbor, MI 49022-2692. In Canada, call KitchenAid Canada at **1-800-807-6777**. 11/04

---

**Keep this book and your sales slip together for future reference. You must provide proof of purchase or installation date for in-warranty service.**

Write down the following information about your dishwasher to better help you obtain assistance or service if you ever need it. You will need to know your complete model number and serial number. You can find this information on the model and serial number label/plate, located on your appliance as shown in "Parts and Features."

Dealer name \_\_\_\_\_  
Address \_\_\_\_\_  
Phone number \_\_\_\_\_  
Model number \_\_\_\_\_  
Serial number \_\_\_\_\_  
Purchase date \_\_\_\_\_

# LA SÉCURITÉ DU LAVE-VAISSELLE

## Votre sécurité et celle des autres est très importante.

Nous donnons de nombreux messages de sécurité importants dans ce manuel et sur votre appareil ménager. Assurez-vous de toujours lire tous les messages de sécurité et de vous y conformer.



Voici le symbole d'alerte de sécurité.

Ce symbole d'alerte de sécurité vous signale les dangers potentiels de décès et de blessures graves à vous et à d'autres.

Tous les messages de sécurité suivront le symbole d'alerte de sécurité et le mot "DANGER" ou "AVERTISSEMENT". Ces mots signifient :

**⚠ DANGER**

**Risque possible de décès ou de blessure grave si vous ne suivez pas immédiatement les instructions.**

**⚠ AVERTISSEMENT**

**Risque possible de décès ou de blessure grave si vous ne suivez pas les instructions.**

Tous les messages de sécurité vous diront quel est le danger potentiel et vous disent comment réduire le risque de blessure et ce qui peut se produire en cas de non-respect des instructions.

## IMPORTANTES INSTRUCTIONS DE SÉCURITÉ

**AVERTISSEMENT** : Lors de l'utilisation du lave-vaisselle, suivre les précautions élémentaires dont les suivantes :

- Lire la totalité des instructions avant d'utiliser le lave-vaisselle.
- N'utiliser le lave-vaisselle que pour laver la vaisselle.
- Utiliser les détergents ou agents de rinçage recommandés pour lave-vaisselle et les garder hors de la portée des enfants.
- Lorsque vous chargez le lave-vaisselle :
  - 1) Placer les objets coupants de façon qu'ils ne puissent endommager le joint de la porte; et
  - 2) Placer les couteaux le manche vers le haut de façon à ne pas vous couper.
- Ne pas laver d'articles en plastique à moins qu'ils ne soient marqués "Peut aller au lave-vaisselle" ou l'équivalent. Si l'article ne porte aucune indication, vérifier auprès du fabricant.
- Ne pas toucher l'élément chauffant pendant le fonctionnement ou immédiatement après.
- Ne pas faire fonctionner le lave-vaisselle si tous les panneaux de l'enceinte ne sont pas en place.
- Ne pas jouer avec les commandes.
- Ne pas abuser, vous asseoir ni monter sur la porte, le couvercle ou les paniers du lave-vaisselle.
- Pour éviter tout risque d'accident, ne pas laisser les enfants jouer dans ou sur le lave-vaisselle.
- Sous certaines conditions, de l'hydrogène peut se former dans un réseau d'eau chaude inutilisé depuis deux semaines ou plus. L'HYDROGÈNE EST UN GAZ EXPLOSIBLE. Si le système d'eau chaude n'a pas été utilisé depuis un certain temps, laisser couler l'eau chaude des robinets pendant quelques minutes avant de faire fonctionner le lave-vaisselle. Cette mesure permettra à l'hydrogène de s'évaporer. Ce gaz étant inflammable, ne pas fumer ni utiliser de flamme nue pendant cette période.
- Enlever la porte ou le couvercle du compartiment de lavage lorsque vous remplacez ou mettez au rebut un vieux lave-vaisselle.

**CONSERVEZ CES INSTRUCTIONS**

## ⚠ AVERTISSEMENT



### Risque de choc électrique

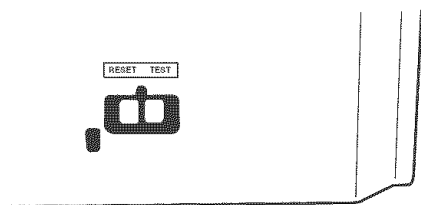
Relier le lave-vaisselle à la terre d'une méthode électrique.

Brancher le fil relié à la terre au connecteur vert relié à la terre dans la boîte de la borne.

Ne pas utiliser un câble de rallonge.

Le non-respect de ces instructions peut causer un décès, un incendie ou un choc électrique.

- Installer le lave-vaisselle dans un endroit à l'abri des intempéries. Protéger l'appareil contre le gel pour éviter une rupture possible du robinet de remplissage. De telles ruptures ne sont pas couvertes par la garantie. Voir "Remisage" à la section "Entretien du lave-vaisselle" pour la préparation du remisage en hiver.
- Installer et niveler le lave-vaisselle sur un comptoir qui pourra en supporter le poids, et dans un espace convenable pour ses dimensions et son utilisation.
- Enlever tous les bouchons d'expédition des tuyaux et des raccords (tel que le capuchon sur l'ouverture de vidange) avant l'installation. Voir les instructions d'installation pour des renseignements complets.
- Ce produit est muni d'un interrupteur de défaut à la terre situé sur la base avant du lave-vaisselle à l'intérieur de la caisse. Un tel interrupteur est conçu pour la protection contre les dangers des défaillances électriques de la ligne à la mise à la terre. Si l'appareil ménager développe une défaillance de ce type, l'interrupteur de défaut à la terre est conçu pour déconnecter le courant à l'appareil. Il s'agit d'une caractéristique incorporée. L'interrupteur de défaut à la terre devrait être testé une fois par mois.



### Procédure de test mensuel :

1. Appuyer sur le bouton TEST. L'indicateur devrait être éteint (pas d'indicateur visible dans la fenêtre).
2. Appuyer sur RESET (réinitialisation). L'indicateur devrait être allumé (indicateur visible dans la fenêtre).

**REMARQUE :** Si l'interrupteur de défaut à la terre échoue à ce test, ne pas utiliser le lave-vaisselle. Nous contacter ou appeler le centre de service désigné le plus proche pour le service. (Voir la section "Assistance ou Service" de ce manuel.)

## INSTRUCTIONS DE MISE À LA TERRE

### ■ Pour un lave-vaisselle relié à la terre, branché avec un cordon :

Le lave-vaisselle doit être relié à la terre. En cas d'un mauvais fonctionnement ou d'une panne, la mise à terre réduira le risque d'un choc électrique en fournissant le moins de résistance pour le courant électrique. Le lave-vaisselle est équipé d'un cordon avec un conducteur pour relier les appareils à la terre. La fiche doit être branchée sur une prise appropriée, installée et reliée à la terre conformément aux codes et règlements locaux.

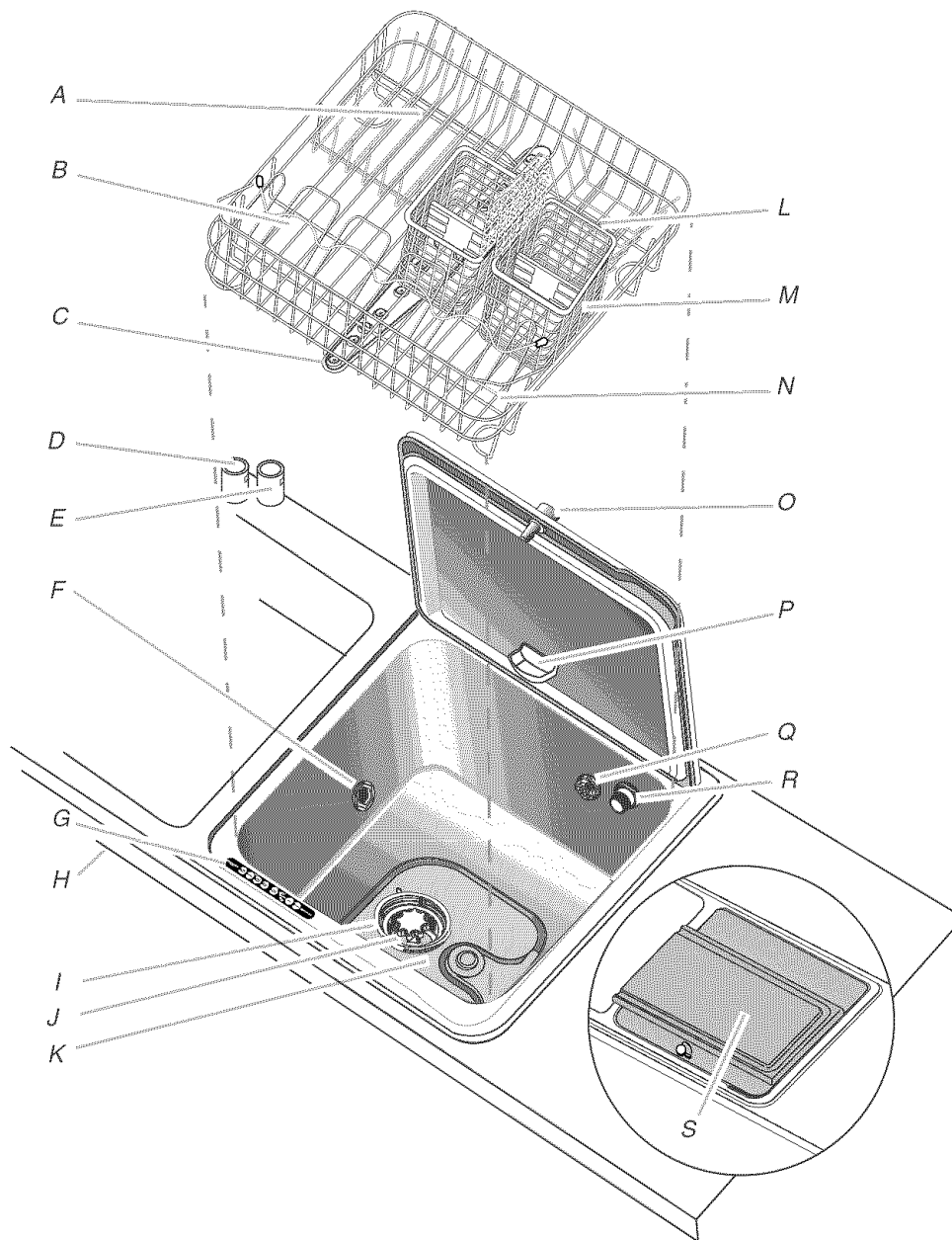
**AVERTISSEMENT :** La connexion incorrecte du conducteur pour relier les appareils à la terre peut causer le risque de choc électrique. Vérifier avec un électricien compétent ou un représentant de service si vous avez des doutes si le lave-vaisselle est correctement relié à la terre. Ne pas modifier la fiche fournie avec le lave-vaisselle; si elle n'entre pas dans la prise, faire installer une prise appropriée par un électricien compétent.

### ■ Pour un lave-vaisselle branché en permanence :

Le lave-vaisselle doit être branché à un système d'installation électrique permanent en métal relié à la terre, ou un conducteur pour relier les appareils doit être relié avec les conducteurs du circuit et branché à une borne pour relier les appareils à la terre ou au cordon d'alimentation électrique avec le lave-vaisselle.

## CONSERVEZ CES INSTRUCTIONS

# PIÈCES ET CARACTÉRISTIQUES

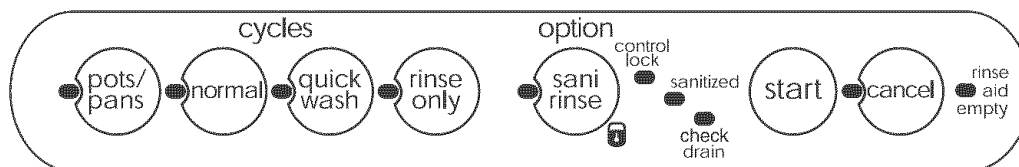


- A. Grande insertion pour le panier
- B. Tablette d'appoint rabattable pour tasses
- C. Bras d'aspersion
- D. Dispositif anti-refoulement
- E. Dispositif anti-refoulement de remplissage
- F. Ouverture d'arrivée d'eau

- G. Tableau de commande
- H. Plaque signalétique des numéros de modèle et de série (sur l'avant de l'évier sous le comptoir)
- I. Panier-tamis de drain
- J. Bouchon de drain
- K. Tamis fin du drain
- L. Insertion moyenne pour le panier
- M. Panier à couverts

- N. Petite insertion pour le panier
- O. Bouton de verrouillage du couvercle
- P. Contenant pour détergent
- Q. Distributeur d'agent de rinçage
- R. Dispositif de remplissage de l'agent de rinçage
- S. Planche à découper en bois

## Tableau de commande

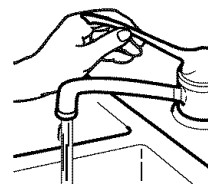
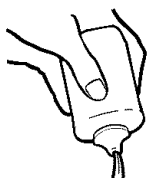


# GUIDE DE MISE EN MARCHÉ

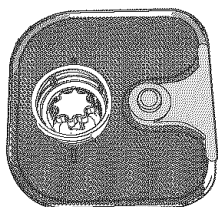
Avant d'utiliser le lave-vaisselle, enlever tous les matériaux d'emballage. Lire ce guide d'utilisation et d'entretien au complet. Vous y trouverez des renseignements de sécurité importants ainsi que des conseils d'utilisation utiles.

## Utilisation de votre nouveau lave-vaisselle

1. L'agent de rinçage est essentiel pour un bon séchage. Veiller à remplir le distributeur avant d'utiliser le nouveau lave-vaisselle. Chaque remplissage durera de 1 à 3 mois selon l'usage. (Voir "Distributeur d'agent de rinçage".)
7. Si vous n'avez pas l'accessoire pour réservoir d'eau chaude, faire couler l'eau du robinet jusqu'à ce qu'elle soit chaude. (Voir "Conseils de performance pour le lave-vaisselle".) Fermer le robinet.



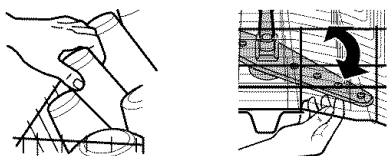
2. Ôter les particules alimentaires et articles durs (cure-dents ou os) de la vaisselle.
3. Vérifier et nettoyer les tamis. (Voir "Nettoyage".)



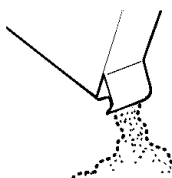
4. Insérer le bouchon de drain et le tourner de ¼ de tour pour le fermer.



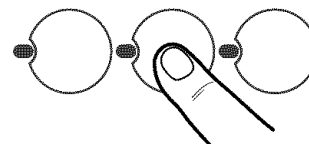
5. Bien charger le lave-vaisselle. (Voir "Chargement du lave-vaisselle".) Espacer la vaisselle pour que l'eau puisse atteindre les surfaces sales. S'assurer que rien n'empêche le bras d'aspersion de tourner librement.



6. Ajouter le détergent. Toujours utiliser un détergent de bonne qualité. (Voir "Utilisation du lave-vaisselle".)



8. Appuyer sur les sélections de programme et d'options désirées sur le tableau de commande. Ou appuyer sur la touche Start (mise en marche) pour répéter le même programme et les mêmes options qu'au programme précédent. (Voir "Utilisation du lave-vaisselle".)

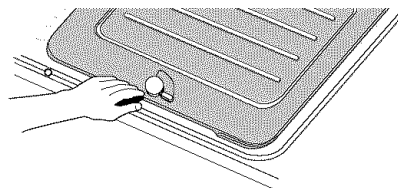


9. Appuyer sur la touche Start (mise en marche) sur le dessus de l'ouverture du lave-vaisselle.



Les témoins lumineux sur le tableau de commande clignoteront une fois.

10. Fermer le couvercle en le poussant fermement. Tourner le levier du couvercle pour l'enclencher.



Si le couvercle est ouvert durant le programme, le programme s'arrêtera. Bien fermer le couvercle et le programme continuera.

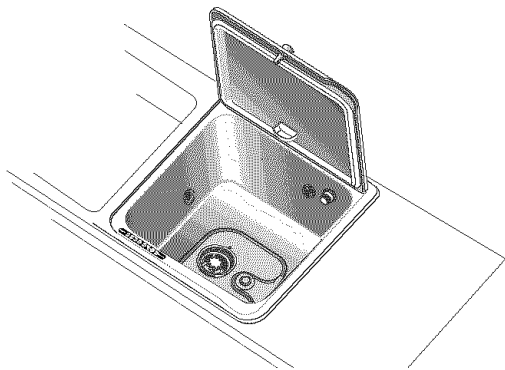
**REMARQUE :** Si le lave-vaisselle détecte que le bouchon de drain n'est pas bien fermé, le programme sélectionné est annulé. Le couvercle s'ouvre automatiquement et l'indicateur Check Drain (vérifier le drain) est allumé. Insérer de nouveau le bouchon du drain et bien le fermer. Mettre de nouveau le programme en marche.

11. Le couvercle s'ouvre automatiquement à la fin du programme.

**REMARQUE :** Ne rien placer sur le couvercle du lave-vaisselle durant le fonctionnement d'un programme. Tout article placé sur le couvercle risque d'empêcher celui-ci de s'ouvrir à la fin d'un programme, ce qui peut occasionner un séchage médiocre.

## Utilisation de votre nouveau lave-vaisselle comme évier

Quand vous avez besoin de plus d'espace d'évier, retirer le panier et le bras d'aspersion complètement.



### Ouverture du drain

1. Tourner le bouchon de drain vers la gauche de  $\frac{1}{4}$  de tour pour que l'eau puisse s'écouler.

### Fermeture du drain

1. Insérer le bouchon pour qu'il s'aligne et descende contre le drain pour assurer l'étanchéité.
2. Le tourner de  $\frac{1}{4}$  de tour vers la droite pour le verrouiller en place.

**REMARQUE :** Ne pas remplir le lave-vaisselle complètement lors de son utilisation comme évier. S'assurer que l'évier s'est vidangé complètement avant de l'utiliser de nouveau comme lave-vaisselle.

## CHARGEMENT DU LAVE-VAISSELLE

### Suggestions de chargement

- Enlever de la vaisselle les restes alimentaires, os, cure-dents et autres articles durs. Pour conserver l'eau, l'énergie et gagner du temps, il n'est pas nécessaire de rincer la vaisselle avant de la placer dans le lave-vaisselle.
- Il est important que le jet d'eau atteigne toutes les surfaces sales.
- Si possible, charger la vaisselle de telle sorte qu'elle ne soit pas empilée ou en chevauchement. Pour le meilleur résultat de séchage, l'eau doit pouvoir s'écouler de toutes les surfaces.
- Charger les casseroles lourdes avec soin. Les articles lourds peuvent bosseler l'intérieur en acier inoxydable de la porte s'ils sont échappés ou frappés.
- S'assurer que les couvercles et poignées de casseroles, etc. n'entravent pas la rotation du bras d'aspersion.
- Conserver l'eau, l'énergie et gagner du temps sur le rinçage manuel en utilisant un programme de rinçage pour garder la vaisselle légèrement mouillée si vous n'avez pas l'intention de la laver bientôt. Les aliments tels que les oeufs, riz, pâtes alimentaires, épinards et céréales cuites peuvent être difficiles à enlever si on les laisse sécher pendant quelque temps.

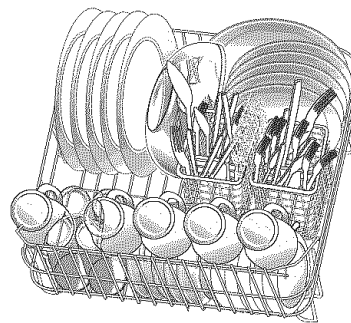
### Conseils de fonctionnement silencieux

Pour éviter les bruits de choc et d'entrechoc durant le fonctionnement :

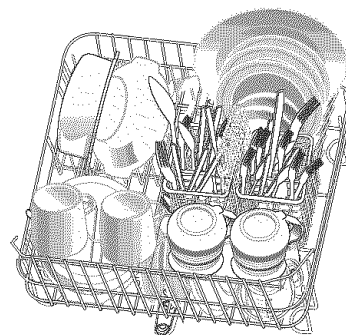
- S'assurer que les articles légers sont bien retenus dans le panier.
- S'assurer que les couvercles et poignées de casseroles, etc. ne touchent pas les parois intérieures ou n'entravent pas la rotation du bras d'aspersion.
- Charger la vaisselle pour que les articles ne se touchent pas les uns les autres.

### Chargement du panier

Le panier est conçu pour le chargement des tasses, assiettes, casseroles et ustensiles. De nombreux articles jusqu'à 11" (27,94 cm) de hauteur conviennent dans le panier. (Voir les modèles de chargement recommandés ci-dessous.)



Charge pour 5 couverts



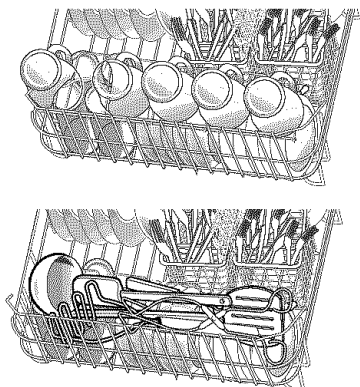
Charge mixte

- Pour faciliter le nettoyage et le drainage, orienter la cavité ouverte des articles vers le bas.
- Veiller à ce qu'il n'y ait aucun contact entre les articles de porcelaine, de cristal et autres articles délicats. Ils pourraient subir des dommages.
- Ne charger les petits articles dans le panier que s'ils sont bien fixés en place.
- Charger les articles en plastique de telle sorte que le jet d'eau ne les déplace pas durant le programme. Ne laver des articles de plastique au lave-vaisselle que s'ils sont identifiés comme "lavable au lave-vaisselle".
- Pour éviter l'écaillage, veiller à ce que les verres à pied ne touchent pas les autres articles.
- On peut placer dans le panier de petits bols ou moules et autres petits ustensiles. Placer les bols dans la section centrale pour une meilleure stabilité.
- Charger les assiettes, bols à soupe, etc. entre les tiges de séparation.

- Pour une charge importante, placer les bords des assiettes en chevauchement.
- Charger les bols à soupe, à céréales et de service dans le panier de diverses façons selon leur taille et forme. Charger les bols solidement entre les rangées de tiges. Ne pas imbriquer les bols car le jet d'eau n'atteindra pas toutes les surfaces.
- Charger les moules à gâteaux et autres gros articles sur les côtés et à l'avant. Le chargement de tels articles à l'arrière peut empêcher l'aspersion d'eau d'atteindre le distributeur d'agent de rinçage.
- Immobiliser les ustensiles de cuisson très sales dans le panier, cavité vers le bas.
- Veiller à ce que les poignées des ustensiles et autres articles n'entravent pas la rotation du bras d'aspersion. Le bras d'aspersion doit pouvoir tourner librement.
- Ne pas charger d'articles entre le panier et la paroi latérale gauche de la cuve du lave-vaisselle. Cela risque de bloquer l'arrivée d'eau.

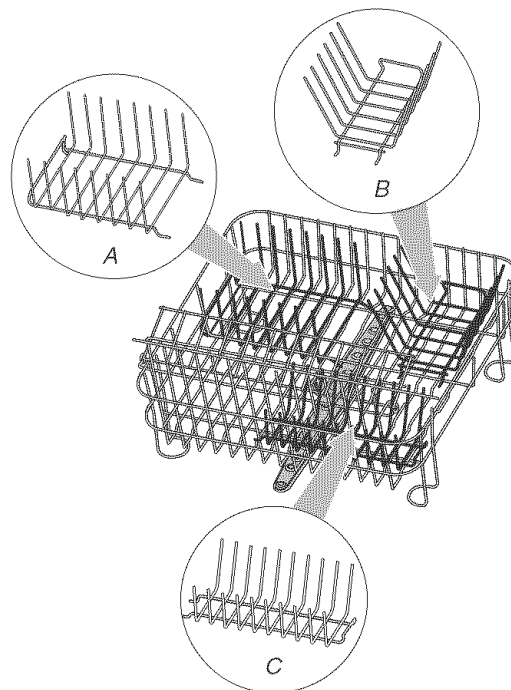
### Tablette d'appoint rabattable pour tasses

Rabattre la tablette d'appoint pour tasses sur l'avant du panier pour y placer des tasses supplémentaires, des verres à pied ou longs articles tels que spatules et ustensiles. La relever quand on a besoin de plus d'espace dans le panier principal pour des articles plus gros.



### Insertions amovibles pour le panier

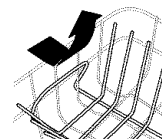
Les grandes, moyennes et petites insertions amovibles du panier (voir l'illustration ci-dessous) vous permettent d'ajuster le panier pour le type de charge à laver. Il est possible d'enlever ou de déplacer une insertion ou plus pour personnaliser le panier en fonction d'une charge particulière. Cet arrangement peut être utile lors du lavage d'une variété de vaisselle, casseroles et poêlons, ou plats de rôtissage.



A. Grande insertion pour le panier  
B. Insertion moyenne pour le panier  
C. Petite insertion pour le panier

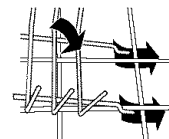
### Pour enlever une insertion

Soulever la poignée de l'insertion et sortir l'insertion du panier.

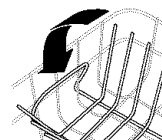


### Pour installer une insertion

Placer les pieds d'extrémité de l'insertion sous le fil transversal du panier.



Pousser doucement vers le bas jusqu'à ce que la poignée se place contre le bord externe du panier.

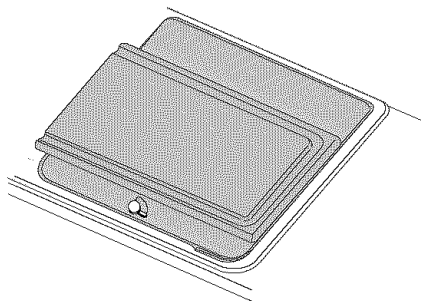




## Planche à découper en bois surdimensionnée

La planche à découper amovible vous permet de décider du meilleur endroit pour la préparation des aliments. Utiliser la planche à découper sur le couvercle fermé du lave-vaisselle ou à tout autre endroit de votre choix.

**CONSEIL :** Si vous utilisez la planche à découper sur le couvercle ou si vous utilisez le couvercle fermé pour la préparation des aliments, vous risquez de salir toute vaisselle propre qui reste dans le lave-vaisselle. Il faudra donc relaver la vaisselle.



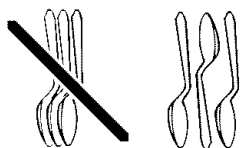
**REMARQUE :** Enlever la planche à découper avant de faire fonctionner un programme. Laisser la planche à découper sur le couvercle peut empêcher le couvercle de s'ouvrir à la fin du programme, ce qui réduira la performance de séchage. Voir "Nettoyage" pour les instructions d'entretien.

## Chargement du panier à couverts

Charger le panier à couverts alors qu'il est dans le panier ou le retirer pour le charger sur un comptoir ou sur une table.



Assortir les articles dans chaque section du panier, certains vers le haut et d'autres vers le bas afin que les articles ne s'imbriquent pas. Le jet d'eau ne peut atteindre les articles imbriqués.



**IMPORTANT :** Toujours charger les articles (couteaux, brochettes, etc.) pointés vers le bas.

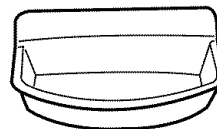
### REMARQUES :

- Ne pas charger d'ustensiles en argent ou plaqués argent avec des articles en acier inoxydable. Ces métaux peuvent être endommagés s'ils se touchent durant le lavage.
- Certains aliments (tels que le sel, le vinaigre, les produits laitiers, les jus de fruits, etc.) peuvent causer des piqûres ou de la corrosion sur les couverts. Effectuer un programme de rinçage si la charge n'est pas assez pleine pour un lavage immédiat.

# UTILISATION DU LAVE-VAISSELLE

## Utilisation de détergent

Le contenant pour détergent, situé à l'intérieur du couvercle du lave-vaisselle, vide le détergent dans le lave-vaisselle dès la fermeture du couvercle.




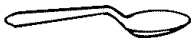


- N'utiliser que du détergent pour lave-vaisselle automatique. Les autres détergents peuvent produire une mousse excessive qui risque de déborder du lave-vaisselle et réduire la performance de lavage.
- Verser le détergent juste avant de mettre le lave-vaisselle en marche.
- Conserver le détergent bien fermé dans un lieu sec et frais. Pour l'obtention de meilleurs résultats, un détergent à lave-vaisselle automatique frais est meilleur.

**REMARQUE :** Ne pas utiliser de détergent avec un programme de rinçage.

## Quantité de détergent à utiliser

- La quantité de détergent à utiliser dépend de la dureté de l'eau et du type de détergent. Si on n'utilise pas assez de détergent, la vaisselle ne sera pas parfaitement lavée. Si on utilise trop de détergent dans une eau douce, la solution attaquera les articles de verre.
- La dureté de l'eau peut changer à la longue. Se renseigner sur la dureté de l'eau en communiquant avec le service local des eaux, la compagnie d'adoucissement de l'eau ou le représentant du comté.
- Vous pouvez commander une bande d'essai de la dureté de l'eau. Nous contacter ou appeler le centre de service désigné le plus proche et demander la pièce numéro 4171690. (Voir "Assistance ou Service".)
- Différentes marques de détergent pour lave-vaisselle comportent différentes quantités de phosphore pour adoucir l'eau. Si l'eau de votre domicile est dure et que vous utilisez un détergent dont le contenu de phosphore est inférieur à 8,7 %, il faudra peut-être utiliser plus de détergent, ou utiliser un détergent dont le contenu de phosphore est supérieur à 8,7 %.

Dureté de l'eau	Quantité de détergent
<b>Eau douce à moyennement dure</b> 0 à 6 grains par gallon U.S.	<b>Pour une charge normalement sale</b>  ■ Ajouter 2 c. à thé ou 10 g <b>Pour une charge très souillée</b>  ■ Ajouter 1 c. à soupe ou 15 g
<b>Eau de dureté moyenne à élevée</b> 7 à 12 grains par gallon U.S.	<b>Pour une charge normale et très souillée</b>  ■ Ajouter 1 c. à soupe ou 15 g
<b>Eau très dure</b> 13 grains par gallon U.S. et plus	<b>Pour les charges normales et très souillées</b>  ■ Ajouter 1 c. à soupe ou 15 g

**REMARQUE :** Les quantités indiquées correspondent à l'emploi d'un détergent en poudre standard. La quantité peut varier si on utilise un détergent en poudre concentré ou un détergent liquide. Lors de l'utilisation d'un détergent en poudre concentré ou d'un détergent liquide, procéder conformément aux instructions indiquées sur l'emballage.

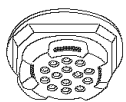
### Distributeur d'agent de rinçage

Un agent de rinçage empêche l'eau de former des gouttelettes qui peuvent sécher en laissant des taches ou coulées. Il améliore également le séchage en permettant à l'eau de s'écouler de la vaisselle au cours du rinçage final. Votre lave-vaisselle est conçu pour utiliser un agent de rinçage liquide. Ne pas utiliser un agent de rinçage solide ou en forme de barre.

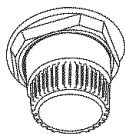
### Remplissage du distributeur

La capacité du distributeur d'agent de rinçage est de 3,4 oz (100 mL). Dans les conditions normales, cette quantité devrait durer environ 1 à 3 mois. Il n'est pas nécessaire d'attendre que le distributeur soit vide avant de le remplir. Essayer de le garder plein, mais s'assurer de ne pas trop le remplir.

1. S'assurer que le couvercle du lave-vaisselle est complètement ouvert. Repérer le dispositif de remplissage de l'agent de rinçage sur le côté droit de la paroi arrière du lave-vaisselle.

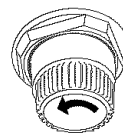


Distributeur d'agent de rinçage

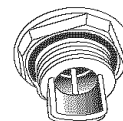


Dispositif de remplissage de l'agent de rinçage

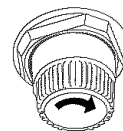
2. Ouvrir le dispositif de remplissage de l'agent de rinçage en dévissant le bouchon.



3. Ajouter l'agent de rinçage jusqu'à ce que le contenant soit plein.



4. Nettoyer tout agent de rinçage renversé avec un chiffon humide.
5. Bien revisser le bouchon.



### Indicateur d'agent de rinçage vide

Lorsque l'indicateur d'agent de rinçage vide s'allume sur le tableau de commande, il faut remplir de nouveau le distributeur d'agent de rinçage.

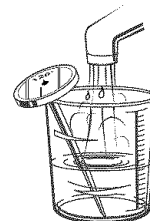
rinse  
 aid  
 empty

### Conseils de performance pour le lave-vaisselle

L'eau chaude dissout et active le détergent à vaisselle. L'eau chaude dissout également la graisse sur la vaisselle et contribue au séchage des verres sans taches. Pour les meilleurs résultats de lavage, l'eau devrait être à 120°F (49°C) à son entrée dans le lave-vaisselle. Les charges peuvent ne pas être lavées aussi bien si la température de l'eau est trop basse. L'eau trop chaude peut rendre certaines saletés plus difficiles à enlever et empêcher certains ingrédients du détergent de faire effet.

- Si l'accessoire de réservoir d'eau chaude est installé, vous pouvez réduire considérablement les durées de programme en utilisant le réglage élevé.
- Si un accessoire de réservoir d'eau chaude n'est pas installé, vous pouvez suivre les étapes suivantes pour vérifier la température de l'eau :

1. Laisser couler l'eau chaude par le robinet le plus proche du lave-vaisselle pendant au moins 1 minute.
2. Placer un thermomètre à viande ou à confiserie dans une tasse à mesurer en verre.



3. Vérifier la température sur le thermomètre pendant que l'eau coule dans la tasse.

## Conseils d'efficacité supplémentaires

- Pour économiser de l'eau, de l'énergie et du temps, ne pas rincer la vaisselle avant de la placer dans le lave-vaisselle.
- Choisir le programme qui correspond aux saletés les plus difficiles de votre charge.
- Ne pas s'inquiéter des charges mixtes; tout article lavable au lave-vaisselle peut être lavé dans n'importe quel programme.
- Durant l'été, faire fonctionner le lave-vaisselle en soirée pour réduire l'accumulation de chaleur dans la cuisine durant la journée.
- Utiliser un agent de rinçage pour améliorer le séchage.
- Utiliser les programmes ou les options qui apportent un supplément de chaleur à la portion de lavage ou de rinçage du programme pour une meilleure performance.
- Utiliser le lave-vaisselle avec des charges complètes. Utiliser un programme de rinçage après les repas jusqu'à ce que le lave-vaisselle soit plein.
- Si votre domicile est équipé d'un adoucisseur d'eau, vous voudrez peut-être éviter de mettre le lave-vaisselle en marche durant la régénération de l'adoucisseur, laquelle pourrait entraîner une mauvaise performance de lavage.

## Tableaux de sélection de programmes

Choisir le programme et les options de lavage désirés ou appuyer sur la touche Start (mise en marche) pour répéter le même programme et la ou les mêmes options que dans le programme précédent.

**REMARQUE :** Si le dernier programme achevé était un rinçage, le lave-vaisselle exécutera le dernier programme de lavage complet et les options que vous avez choisies quand vous appuyez sur la touche Start.

Le "●" indique les étapes de chaque programme.

Les températures indiquent où de la chaleur est ajoutée.

La consommation d'eau est indiquée en gallons américains/litres.

La durée du programme inclut la durée de séchage. Un astérisque ( \* ) à côté de la durée du programme indique que la durée du programme peut être plus longue selon la température de l'eau entrant dans le lave-vaisselle. Plus l'eau est froide, plus la durée du programme est longue.

### Pots/Pans/casseroles

Utiliser ce programme pour les plats, poêles et casseroles et la vaisselle ordinaire très sales.

La- vage prin- cipal	Rin- çage	Vi- dange	Rin- çage	Rin- çage final chauf- fé	Sé- cha- ge	Durée (min)	Con- som- mation d'eau (gal/L)
● 145°F (61°C)	●	●	●	● 145°F (61°C)	●	49*	4,1/ 15,7

### Normal

Utiliser ce programme pour des charges comportant des quantités normales de débris alimentaires. (L'étiquette de consommation d'énergie est basée sur ce programme.)

La- vage prin- cipal	Rin- çage	Vi- dange	Rin- çage	Rin- çage final chauf- fé	Sé- cha- ge	Durée (min)	Con- som- mation d'eau (gal/L)
● 145°F (61°C)	●	●	●	● 145°F (61°C)	●	37*	4,1/ 15,7

### Quick Wash/lavage rapide

Utiliser ce programme pour les charges légères, peu sales ou pour la verrerie.

Lavage prin- cipal	Rin- çage	Rin- çage final chauffé	Sé- chage	Durée (min)	Con- som- mation d'eau (gal/L)
● 145°F (61°C)	●	● 145°F (61°C)	●	21*	2,5/9,5

### Rinse Only/rinçage seulement

Utiliser ce programme de rinçage pour rincer la vaisselle, les verres et les couverts qui ne seront pas lavés immédiatement.

**Ne pas utiliser de détergent avec ce programme.**

Lavage prin- cipal	Rin- çage	Rin- çage final chauffé	Sé- chage	Durée (min)	Con- som- mation d'eau (gal/L)
	●			3	0,9/3,5

† Une petite quantité d'eau circule dans la pompe pour éliminer les saletés.

## Annulation d'un programme

À tout moment durant un programme, ouvrir le couvercle. Appuyer ensuite sur CANCEL (annulation) et fermer le couvercle.

Le lave-vaisselle commence une vidange. Laisser le lave-vaisselle évacuer l'eau complètement. Appuyer sur une nouvelle touche de programme.

### Pour arrêter la vidange

On peut appuyer de nouveau sur CANCEL (annulation) pour arrêter la vidange immédiatement. Ne pas oublier de vidanger le lave-vaisselle avant de commencer un nouveau programme.

### Pour annuler les indicateurs

Appuyer sur CANCEL (annulation) avant de mettre le lave-vaisselle en marche pour annuler l'ensemble des options et programmes.

## Changement d'un programme ou réglage

### Pendant le premier remplissage d'un programme

1. Ouvrir le couvercle.
2. Appuyer sur une nouvelle touche de programme et/ou options.
3. Contrôler le détergent. Le lave-vaisselle doit contenir la quantité correcte pour le nouveau programme.
4. Fermer et verrouiller le couvercle. Le lave-vaisselle reprend le nouveau programme et/ou l'option après une pause de 5 secondes.

### Après le premier remplissage d'un programme

1. Ouvrir le couvercle.
2. Appuyer sur la touche Cancel (annulation).
3. Fermer le couvercle. Le lave-vaisselle commence une vidange. Laisser le lave-vaisselle se vidanger complètement.
4. Ouvrir le couvercle.
5. Sélectionner un nouveau programme et/ou de nouvelles options.
6. Contrôler le détergent. Le lave-vaisselle doit contenir la quantité correcte pour le nouveau programme.
7. Appuyer sur la touche Start (mise en marche).
8. Fermer et verrouiller le couvercle.

## Addition de vaisselle durant un programme

On peut ajouter un article n'importe quand avant le début du lavage principal. Ouvrir le couvercle et contrôler la quantité de détergent. Si le détergent est encore visible, vous pouvez rajouter des articles.

### Pour ajouter des articles

1. Tourner le loquet pour arrêter le programme. Attendre que l'aspersion s'arrête avant d'ouvrir le couvercle complètement.
2. Ouvrir le couvercle. Si le détergent est encore visible dans l'eau de lavage, vous pouvez rajouter des articles.
3. Bien fermer le couvercle et tourner le loquet. Le lave-vaisselle se remet alors en marche après une pause de 5 secondes.

## Sélection d'options

Vous pouvez personnaliser vos programmes en appuyant sur SANI RINSE™ (option de rinçage sanitaire). Si vous changez d'idée, appuyer de nouveau sur l'option pour l'annuler.

Vous pouvez changer une option à tout moment avant que l'option choisie ne commence.

Appuyer sur la touche Start (mise en marche) pour répéter le même programme et les mêmes options que dans le programme de lavage précédent.

**REMARQUE :** Si le dernier programme terminé était un programme de rinçage, quand vous appuyez sur la touche Start, le lave-vaisselle exécute le dernier programme complet de lavage et les options.

### SANI RINSE™/option de rinçage sanitaire

Choisir cette option pour augmenter la température de l'eau du rinçage final à environ 160°F (71°C). L'option SANI RINSE™ (rinçage sanitaire) augmente la chaleur et la durée du programme.

**REMARQUE :** SANI RINSE™ (option de rinçage sanitaire) est une option avec les programmes Pots/Pans (casseroles), Normal, et Quick Wash (lavage rapide).

### Control Lock/dispositif de verrouillage

Utiliser le verrouillage des commandes pour prévenir l'utilisation non intentionnelle du lave-vaisselle. Le verrouillage des commandes peut aussi être utilisé pour prévenir les changements non intentionnels de programme ou d'option durant un programme.



Lorsque Control Lock (dispositif de verrouillage) est allumé, tous les boutons sont désactivés.

#### REMARQUES :

- Le couvercle du lave-vaisselle peut s'ouvrir lorsque les commandes sont verrouillées.
- Vous pouvez tourner le loquet pendant que le lave-vaisselle est en marche.

#### Pour actionner la commande de verrouillage

Appuyer sur la touche



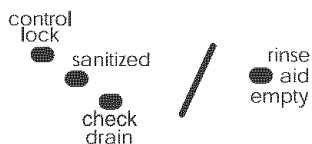
pendant 4 secondes. L'indicateur Control Lock (dispositif de verrouillage) s'allume.

Si on appuie sur toute touche pendant que le lave-vaisselle est verrouillé, le témoin clignote 3 fois.

#### Pour éteindre la commande de verrouillage

Appuyer pendant 4 secondes sur le bouton SANI RINSE™ (option de rinçage sanitaire). Le témoin s'éteint.

## Indicateurs d'état d'avancement du programme



### Control Lock/dispositif de verrouillage

Lorsque Control Lock (dispositif de verrouillage) est allumé, tous les boutons sont désactivés.

### Sanitized/assainissement

Lorsqu'on sélectionne l'option SANI RINSE™, l'indicateur Sanitized (assainissement) s'allume dès que ce programme est terminé. L'indicateur clignote à la fin du programme lorsque le lave-vaisselle n'a pas bien lavé la vaisselle, comme par exemple lorsqu'on a interrompu le programme ou lorsque la température de l'eau à l'entrée est trop basse. L'indicateur s'éteint quand vous ouvrez et fermez le couvercle.

### Check Drain/Vérifier le drain

Si le lave-vaisselle détecte que le bouchon de drain n'est pas bien fermé, le programme prend fin immédiatement, le couvercle s'ouvre automatiquement et l'indicateur Check Drain (vérifier le drain) est allumé.

### Rinse Aid Empty/distributeur d'agent de rinçage vide

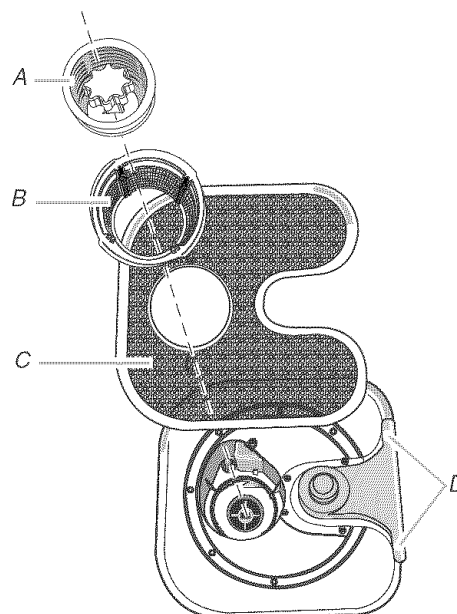
Remplir le distributeur d'agent de rinçage lorsque Rinse Aid Empty s'allume. Les agents de rinçage empêchent l'eau de former des gouttelettes qui peuvent sécher en laissant des taches ou coulées. L'agent de rinçage est essentiel pour obtenir un bon séchage.

Si le distributeur d'agent de rinçage est vide, l'indicateur s'allume lors du choix ou de l'exécution d'un programme.

## Système de lavage en évier briva®

Le système de lavage à trois niveaux procure d'excellents résultats de nettoyage. Trois niveaux de filtration filtrent l'eau de lavage et empêchent les particules alimentaires de se déposer de nouveau sur la vaisselle propre.

- Un tamis grossier incorporé au bouchon de drain empêche les os, noyaux et autres gros objets de pénétrer dans le système de la pompe.
- Les articles assez petits pour passer à travers le tamis grossier sont retenus dans le panier-tamis du drain.
- L'eau de lavage circule continuellement à travers le tamis fin du drain qui retient les particules alimentaires.



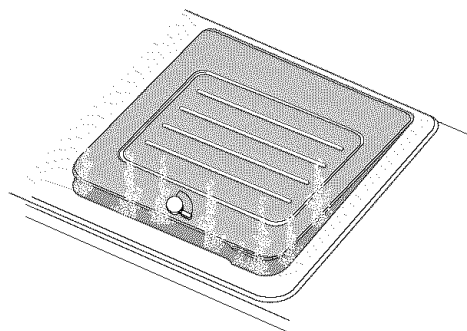
A. Bouchon de drain avec tamis grossier  
B. Panier-tamis du drain  
C. Tamis fin du drain  
D. Porte-tamis fin

- Deux jets d'eau situés sous le bras d'aspersion délogent les particules alimentaires du tamis fin du drain.

**REMARQUE :** Avant chaque charge de lavage, vérifier le tamis grossier, le panier-tamis du drain et le tamis fin et enlever tous les objets et souillures. Voir "Nettoyage" pour plus d'instructions.

## Système de séchage

Le système de lavage en évier briva® est doté du séchage instantané FLASHDRY®. À la fin du programme, le couvercle s'ouvre automatiquement et la vapeur s'échappe. Ceci donne un séchage rapide et efficace de la vaisselle.



**IMPORTANT :** La vapeur est chaude. Ne pas toucher l'ouverture du couvercle durant le séchage. Ne rien placer sur le couvercle du lave-vaisselle durant le fonctionnement d'un programme. Tout article placé sur le couvercle risque d'empêcher celui-ci de s'ouvrir à la fin d'un programme, ce qui peut occasionner un séchage médiocre.

# LAVAGE D'ARTICLES SPÉCIAUX

En cas de doute au sujet du lavage d'un article particulier, consulter le fabricant pour déterminer si l'article est lavable au lave-vaisselle.

Matériau	Lavable au lave-vaisselle?/ Commentaires
Aluminium	<b>Oui</b> L'eau chaude et les détergents peuvent affecter la finition de l'aluminium anodisé.
Aluminium jetable	<b>Non</b> Ne pas laver les plats d'aluminium jetables au lave-vaisselle. Ils risquent de se déplacer durant le lavage et de transférer des marques noires à la vaisselle et à d'autres articles.
Bouteilles et cannettes	<b>Non</b> Laver manuellement les bouteilles et cannettes. Les étiquettes peuvent se détacher dans le lave-vaisselle et obstruer les orifices des bras d'aspersion ou la pompe, et réduire la performance de lavage.
Fonte	<b>Non</b> La patine sera éliminée et la fonte rouillera.
Porcelaine/grès	<b>Oui</b> Consulter toujours les recommandations du fabricant avant le lavage. La décoration des articles antiques, peints à la main ou l'émaillage peut se détériorer. Les dorures peuvent se dissiper ou changer de couleur.
Cristal	<b>Oui</b> Consulter toujours les recommandations du fabricant avant le lavage. Après plusieurs lavages, la solution de détergent peut attaquer certains types de cristal au plomb.
Or	<b>Non</b> Les couverts dorés subiront un changement de couleur.
Verre	<b>Oui</b> Le verre opaque jaunit après de nombreux lavages au lave-vaisselle.
Coutellerie à manche creux	<b>Non</b> Les manches de certains couteaux sont fixés à la lame au moyen d'un adhésif qui peut se dégager lors du lavage au lave-vaisselle.

Matériau	Lavable au lave-vaisselle?/ Commentaires
Étain, laiton, bronze	<b>Non</b> L'eau chaude et les détergents peuvent modifier la couleur et la finition.
Plastiques jetables	<b>Non</b> Ce matériau ne peut pas résister aux effets de l'eau chaude et des détergents.
Plastiques	<b>Oui</b> Consulter toujours les recommandations du fabricant avant le lavage. La résistance des articles de plastique à l'eau chaude et aux détergents est variable. Charger les articles de plastique seulement dans le panier supérieur.
Acier inoxydable	<b>Oui</b> Si le lavage n'est pas effectué immédiatement, exécuter un programme de rinçage. Le contact prolongé avec des résidus alimentaires contenant sel, vinaigre, produits laitiers ou jus de fruit peut endommager la finition.
Argent sterling ou plaqué	<b>Oui</b> Si le lavage n'est pas effectué immédiatement, exécuter un programme de rinçage. Le contact prolongé avec des résidus alimentaires contenant sel, acide ou sulfure (oeufs, mayonnaise et fruits de mer) peut endommager la finition.
Fer blanc	<b>Non</b> Possibilité de rouille.
Ustensiles de bois	<b>Non</b> Laver manuellement. Consulter toujours les recommandations du fabricant avant le lavage. Le bois non traité peut se déformer, se fissurer ou perdre sa finition.

# ENTRETIEN DU LAVE-VAISSELLE

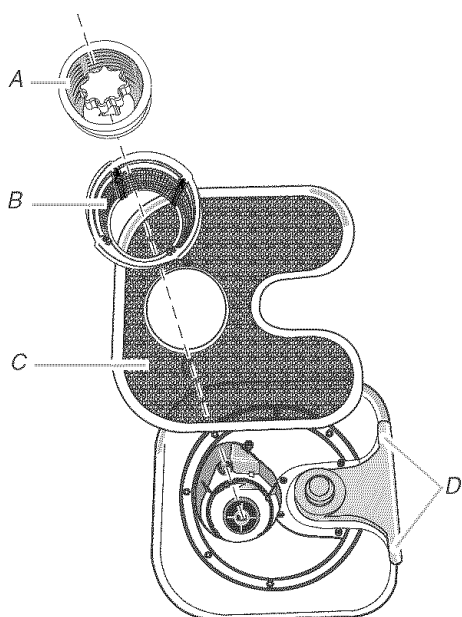
## Nettoyage

### Nettoyage de l'ensemble des tamis du drain

Avant chaque charge de lavage, vérifier le tamis grossier, le panier-tamis du drain et le tamis fin et enlever tous les objets et particules alimentaires.

#### Dépose de l'ensemble des tamis du drain pour le nettoyage

1. Tourner le bouchon de drain vers la gauche de  $\frac{1}{4}$  de tour pour le dégager, puis le soulever. Nettoyer le panier.
2. Tourner le panier-tamis du drain vers la gauche jusqu'à ce que l'on sente qu'il se dégage, puis le soulever. Nettoyer le tamis.
3. Soulever le tamis fin et faire glisser les bords du côté droit hors du porte-tamis. Nettoyer le tamis.



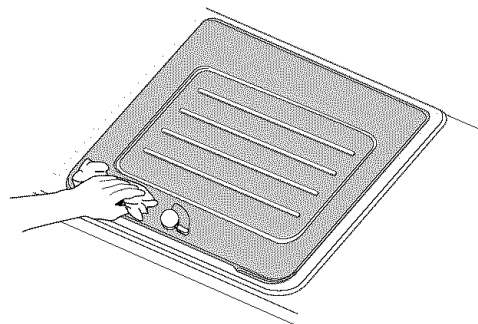
A. Bouchon de drain avec tamis grossier  
B. Panier-tamis du drain  
C. Tamis fin du drain  
D. Porte-tamis fin

#### Installation de l'ensemble des tamis du drain après le nettoyage

1. Glisser le bord droit du tamis fin du drain sous les porte-tamis dans le plancher du lave-vaisselle et mettre l'ensemble en place.
2. Insérer le panier-tamis du drain dans l'ouverture et le tourner légèrement vers la droite jusqu'à ce qu'il se verrouille en place.
3. Installer le bouchon du drain jusqu'à ce qu'il tombe en place et le tourner vers la droite de  $\frac{1}{4}$  de tour pour le verrouiller.

### Nettoyage de l'extérieur

Dans la plupart des cas, il suffit d'utiliser un linge doux, humide ou une éponge et un détergent doux pour nettoyer les surfaces extérieures du lave-vaisselle et préserver son aspect de produit neuf.



### Nettoyage de la planche à découper en bois

La laver à l'eau tiède savonneuse et la sécher complètement. La frotter fréquemment avec de l'huile minérale ou de lin conformément aux instructions sur le contenant.

#### REMARQUES :

- Ne pas mettre d'articles en bois dans le lave-vaisselle ou le micro-ondes.
- Ne pas la faire tremper.
- Éviter les températures extrêmes — ne pas l'immerger dans l'eau très chaude, ni la ranger dans le réfrigérateur.

### Nettoyage de l'intérieur

Les composés minéraux présents dans l'eau dure peuvent provoquer l'accumulation d'un film blanchâtre sur les surfaces intérieures, particulièrement juste au-dessous du couvercle.

Ne pas nettoyer les surfaces internes du lave-vaisselle avant qu'elles aient refroidi. Porter des gants de caoutchouc. Ne pas utiliser un produit de nettoyage autre que le détergent pour lave-vaisselle car ceci pourrait provoquer un moussage excessif.

#### Nettoyage des surfaces internes

Faire une pâte avec un détergent pour lave-vaisselle en poudre sur une éponge humide et nettoyer.

#### OU

Utiliser un détergent liquide pour lave-vaisselle automatique, et nettoyer avec une éponge humide.

#### OU

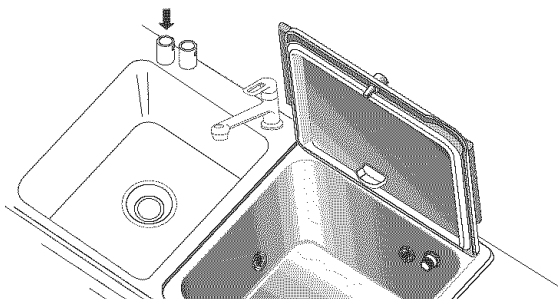
Voir la méthode de rinçage au vinaigre à la section "Taches et films sur la vaisselle" sous "Dépannage".

**REMARQUE :** Effectuer un programme de lavage Normal avec détergent après avoir nettoyé l'intérieur.

## Dispositif anti-refoulement

Vérifier le dispositif anti-refoulement lorsque votre lave-vaisselle ne se vide pas bien.

En cas d'obstruction d'une canalisation, le dispositif anti-refoulement protège votre lave-vaisselle contre le refoulement de l'eau.



### Nettoyage du dispositif anti-refoulement

Nettoyer le dispositif anti-refoulement périodiquement pour assurer la vidange adéquate de votre lave-vaisselle. Soulever le couvercle externe. Dévisser le bouchon en plastique. Puis, vérifier s'il y a une accumulation de saletés. Nettoyer au besoin.

**REMARQUE :** Le dispositif anti-refoulement de remplissage est situé à la droite du dispositif anti-refoulement de vidange et ne nécessite aucun entretien.

## Remisage

### Remisage pour l'été

Protéger le lave-vaisselle au cours des mois d'été en fermant l'approvisionnement d'eau et en déconnectant le lave-vaisselle de l'alimentation électrique.

### Hivernisation du lave-vaisselle

Protéger le lave-vaisselle et le domicile contre les dommages par l'eau, attribuables au gel des conduits d'eau. Si le lave-vaisselle est laissé dans une résidence saisonnière ou risque d'être exposé à des températures près du degré de congélation, faites hiverner le lave-vaisselle par un technicien de service agréé.

# DÉPANNAGE

**Essayer d'abord les solutions suggérées ici; elles pourraient vous éviter le coût d'une visite de service...**

### Le lave-vaisselle ne fonctionne pas correctement

#### ■ Le lave-vaisselle ne fonctionne pas ou s'arrête au cours d'un programme

Le couvercle est-il bien fermé et enclenché?

A-t-on sélectionné le bon programme? Consulter les "Tableaux de sélection de programmes".

Le lave-vaisselle est-il alimenté par le courant électrique? Un fusible est-il grillé, ou un disjoncteur s'est-il déclenché?

L'interrupteur de défaut à la terre s'est-il déclenché? Appuyer sur le bouton Reset (réinitialisation). L'indicateur devrait être visible dans la fenêtre des indicateurs. Consulter la section "Avant l'utilisation de votre lave-vaisselle". Si l'interrupteur de défaut à la terre ne se réinitialise pas, faire un appel de service.

Le moteur s'est-il arrêté à cause d'une surcharge? Le moteur se réinitialise tout seul après quelques minutes. S'il ne se remet pas en marche, faire un appel de service.

Le bouchon de drain est-il fermé? S'il n'est pas bien fermé, le programme sélectionné prend fin immédiatement, le couvercle s'ouvre automatiquement et l'indicateur Check Drain (vérifier le drain) est allumé.

#### ■ Le lave-vaisselle ne se remplit pas

Le robinet d'arrêt (le cas échéant) est-il ouvert?

#### ■ La durée d'exécution du programme semble être trop longue

L'eau fournie au lave-vaisselle est-elle suffisamment chaude? Le lave-vaisselle fonctionne plus longtemps durant le chauffage de l'eau. Voir la section "Conseils de performance pour le lave-vaisselle".

Une période d'attente s'ajoute automatiquement dans certains programmes de lavage et de rinçage jusqu'à ce que l'eau atteigne la température correcte.

#### ■ Résidus d'eau dans le lave-vaisselle

Le programme est-il achevé?

#### ■ Odeur dans le lave-vaisselle

La vaisselle est-elle lavée seulement tous les 2 ou 3 jours? Exécuter un programme de rinçage une ou deux fois par jour jusqu'à ce qu'une charge complète soit accumulée.

Une odeur de plastique neuf est-elle apparente dans le lave-vaisselle? Effectuer un rinçage avec du vinaigre selon la description dans "Taches et films sur la vaisselle" plus loin dans ce guide de dépannage.

### Vaisselle pas complètement nettoyée

#### ■ Résidus de produits alimentaires sur la vaisselle

La vaisselle est-elle chargée correctement? Voir la section "Chargement du lave-vaisselle".



La température de l'eau est-elle trop basse? Pour les meilleurs résultats de lavage, l'eau devrait être à 120°F (49°C) à son entrée dans le lave-vaisselle. Voir la section "Conseils de performance pour le lave-vaisselle".

A-t-on utilisé la bonne quantité de détergent frais? Utiliser seulement les détergents recommandés pour lave-vaisselle. Voir la section "Utilisation de détergent". Ne pas employer moins d'une cuiller à thé (5 g) par charge. Pour qu'il soit efficace, il faut que le détergent soit frais. Remiser le détergent dans un endroit frais et sec. Une vaisselle très sale et/ou une eau dure nécessitent généralement un supplément de détergent.

La pompe ou le bras d'aspersion est-elle/il obstrué(e) par des étiquettes de bouteilles et de cannettes?

La pression d'eau du domicile est-elle suffisamment élevée pour un remplissage convenable du lave-vaisselle? La pression d'eau du domicile devrait être de 20 à 120 lb/po<sup>2</sup> (138 à 828 kPa). Si vous avez des questions au sujet de la pression de votre eau, appeler un plombier qualifié agréé.

Une accumulation de mousse ralentit-elle le bras d'aspersion? Ne pas utiliser de savon ou de détergent à lessive. Utiliser uniquement les détergents recommandés pour lave-vaisselle.

---

## Présence de taches sur la vaisselle

---

### ■ Taches et films sur la vaisselle

L'eau est-elle dure ou contient-elle une concentration élevée de minéraux? Le conditionnement de l'eau de rinçage final avec un agent de rinçage liquide favorise l'élimination des taches et films. Veiller à ce que le distributeur soit toujours rempli d'un agent de rinçage.

La température de l'eau est-elle trop basse? Pour les meilleurs résultats de lavage, l'eau devrait être à 120°F (49°C) à son entrée dans le lave-vaisselle. Voir la section "Conseils de performance pour le lave-vaisselle".

A-t-on utilisé la bonne quantité de détergent efficace? Utiliser seulement les détergents recommandés pour lave-vaisselle. Voir la section "Utilisation de détergent". Ne pas employer moins d'une cuiller à thé (5 g) par charge. Pour qu'il soit efficace, il faut que le détergent soit frais. Remiser le détergent dans un endroit frais et sec. Une vaisselle très sale et/ou une eau dure nécessitent généralement un supplément de détergent.

La pression d'eau du domicile est-elle suffisamment élevée pour un remplissage convenable du lave-vaisselle? La pression d'eau du domicile devrait être de 20 à 120 lb/po<sup>2</sup> (138 à 828 kPa). Si vous avez des questions au sujet de la pression de votre eau, appeler un plombier qualifié agréé.

**REMARQUE :** Pour éliminer les taches et films sur la vaisselle, essayer un rinçage avec de l'eau vinaigrée. Cette méthode ne devrait être utilisée qu'occasionnellement. Le vinaigre est un acide et son utilisation trop fréquente pourrait endommager le lave-vaisselle.

1. Laver et rincer la vaisselle. Enlever tous les couverts ou articles métalliques.
2. Ajouter 1 tasse (250 mL) de vinaigre blanc dans une tasse à mesurer lavable au lave-vaisselle dans le panier.
3. Faire exécuter un programme de lavage complet au lave-vaisselle. Ne pas utiliser de détergent. Le vinaigre se mélangera à l'eau de lavage.

### ■ Film de silice ou attaque (le film de silice est un dépôt blanc irisé; l'attaque produit l'apparence d'un film translucide)

Il y a parfois une réaction chimique de l'eau avec certains types de verres. Ceci est habituellement imputable à certaines combinaisons d'eau douce ou adoucie, solution de lavage alcaline, rinçage insuffisant, chargement excessif du lave-vaisselle, et la chaleur de séchage. Il peut être nécessaire de laver manuellement ces articles pour éliminer complètement le problème.

Pour ralentir ce processus, utiliser la quantité minimale de détergent, mais pas moins d'une cuiller à thé (5 g) par charge. Utiliser un agent de rinçage liquide, et ne pas trop charger le lave-vaisselle pour permettre un rinçage à fond. Il n'est pas possible d'éliminer le film de silice ou l'effet de l'attaque chimique qui demeurent en permanence.

### ■ Taches blanches sur les ustensiles de cuisson à revêtement antiadhésif

Le détergent du lave-vaisselle a-t-il éliminé la patine? Générer une nouvelle patine après le lavage au lave-vaisselle.

### ■ Taches marron sur la vaisselle et les surfaces internes du lave-vaisselle

L'eau comporte-t-elle une concentration de fer élevée? Laver de nouveau la vaisselle après avoir versé 1 à 3 c. à thé (5-15 mL) de cristaux d'acide citrique dans le distributeur de détergent. Ne pas utiliser de détergent. Exécuter ensuite un programme de lavage Normal avec détergent. Si ce traitement est nécessaire plus fréquemment qu'à intervalles de deux mois, on recommande l'installation d'un dispositif d'élimination du fer.

### ■ Marques noires ou grises sur la vaisselle

Des articles d'aluminium frottent-ils contre la vaisselle durant le lavage? Les articles d'aluminium jetables peuvent se briser dans le lave-vaisselle et causer des marques. Laver ces articles à la main. Pour éliminer les marques d'aluminium, employer un produit de nettoyage moyennement abrasif.

### ■ Taches orange sur les articles de plastique ou les surfaces internes du lave-vaisselle

Place-t-on dans le lave-vaisselle de la vaisselle sur laquelle il y a une quantité considérable de résidus alimentaires à base de tomates? Les taches se dissipent graduellement à la longue. Les taches n'affectent pas la performance du lave-vaisselle. L'utilisation régulière d'un programme de rinçage réduira la probabilité de taches.

---

## Vaisselle pas complètement sèche

---

### ■ La vaisselle n'est pas sèche

Le lave-vaisselle a-t-il été chargé de manière à permettre un drainage adéquat de l'eau? Ne pas charger excessivement. Voir la section "Chargement du lave-vaisselle". Utiliser un agent de rinçage liquide pour accélérer le séchage.

Les articles de plastique sont-ils humides? Il est souvent nécessaire de sécher les articles de plastique avec un linge.

Le distributeur d'agent de rinçage est-il vide? Voir la section "Distributeur d'agent de rinçage".

---

## Vaisselle endommagée au cours d'un programme

---

### ■ Écaillage de la vaisselle

A-t-on chargé le lave-vaisselle correctement? Charger la vaisselle et les verres de telle manière qu'ils soient stables et qu'ils ne s'entrechoquent pas lors du lavage.

**REMARQUE :** Les antiquités, le cristal très mince et certains types de porcelaine et de verre peuvent être trop délicats pour le lavage automatique. Laver à la main.

---

---

## Égratignures

---

### ■ Égratignures mineures à la surface de l'évier ou du lave-vaisselle

Le récurage dans le sens du grain avec un nettoyant pour cuisine légèrement abrasif mèlera les égratignures au fini de l'évier.

---

---

# ASSISTANCE OU SERVICE

Avant de demander une assistance ou un service, veuillez vérifier la section "Dépannage". Cette vérification peut vous faire économiser le coût d'une visite de réparation. Si vous avez encore besoin d'aide, suivre les instructions ci-dessous.

Lors d'un appel, veuillez connaître la date d'achat et les numéros au complet de modèle et de série de votre appareil. Ces renseignements nous aideront à mieux répondre à votre demande.

---

### Si vous avez besoin de pièces de rechange

---

Si vous avez besoin de commander des pièces de rechange, nous vous recommandons d'utiliser seulement les pièces spécifiées par l'usine. Ces pièces de rechange fonctionneront bien parce qu'elles sont fabriquées selon les mêmes spécifications précises utilisées pour construire chaque nouvel appareil KITCHENAID®.

Pour localiser les pièces spécifiées par l'usine dans votre région, nous appeler ou téléphoner au centre de service désigné le plus proche.

Pour assistance, téléphoner sans frais au Centre d'interaction avec la clientèle de KitchenAid Canada au :  
**1-800-461-5681** du lundi au vendredi - de 8 h 00 à 18 h 00 (HNE).  
Samedi - de 8 h 30 à 16 h 30 (HNE).

---

### Nos consultants fournissent de l'assistance pour :

- Caractéristiques et spécifications de notre gamme complète d'appareils électroménagers.
  - Références aux concessionnaires locaux.
- 

### Pour service au Canada

---

Téléphoner au **1-800-807-6777**. Les techniciens de service désignés par KitchenAid sont formés pour remplir la garantie des produits et fournir un service après garantie partout au Canada.

---

### Pour plus d'assistance

---

Si vous avez besoin de plus d'assistance, vous pouvez écrire à KitchenAid Canada en soumettant toute question ou tout problème à :

KitchenAid Canada  
Centre d'interaction avec la clientèle  
1901 Minnesota Court  
Mississauga, Ontario L5N 3A7

Dans votre correspondance, veuillez indiquer un numéro de téléphone où l'on peut vous joindre dans la journée.

---

---

# GARANTIE DU LAVE-VAISSELLE KITCHENAID®

---

## GARANTIE COMPLÈTE DE UN AN

Pendant un an, à compter de la date d'achat, lorsque le lave-vaisselle est utilisé et entretenu conformément aux instructions jointes à ou fournies avec le produit, KitchenAid ou KitchenAid Canada paiera pour les pièces spécifiées par l'usine et les frais de main-d'oeuvre pour la correction des vices de matériaux ou de fabrication. Les réparations doivent être effectuées par un établissement de service désigné par KitchenAid.

---

## GARANTIE LIMITÉE DE LA DEUXIÈME À LA CINQUIÈME ANNÉE INCLUSIVEMENT SUR LES PANIERS DE LAVE-VAISSELLE À REVÊTEMENT EN NYLON, LE MOTEUR DE LAVAGE ET DE VIDANGE ET LE SYSTÈME DE COMMANDE ÉLECTRONIQUE

De la deuxième à la cinquième année inclusivement à partir de la date d'achat, lorsque le lave-vaisselle est utilisé et entretenu conformément aux instructions jointes à ou fournies avec le produit, KitchenAid ou KitchenAid Canada paiera pour les pièces spécifiées par l'usine pour les composants suivants en cas de vices de matériaux ou de fabrication : les paniers supérieur et inférieur en nylon, le moteur de lavage et de vidange, les commandes électroniques.

---

## GARANTIE COMPLÈTE À VIE SUR LA CUVE EN ACIER INOXYDABLE ET LE COUVERCLE

Pour la vie entière du produit à partir de la date d'achat, lorsque le lave-vaisselle est utilisé et entretenu conformément aux instructions jointes à ou fournies avec le produit, KitchenAid ou KitchenAid Canada paiera pour les pièces spécifiées par l'usine et les frais de main-d'oeuvre pour la cuve en acier inoxydable et/ou le couvercle si cette cuve et/ou ce couvercle a une fuite d'eau causée par une percée de rouille attribuable à des vices de matériaux ou de fabrication. Les réparations doivent être effectuées par un établissement de service désigné par KitchenAid.

---

### KitchenAid ou KitchenAid Canada ne paiera pas :

1. Les visites d'un dépanneur pour rectifier l'installation du lave-vaisselle, donner des instructions concernant l'utilisation du lave-vaisselle, remplacer les fusibles ou rectifier l'installation électrique ou de plomberie du domicile.
2. Les réparations lorsque le lave-vaisselle est utilisé à des fins autres que normales dans un domicile unifamilial.
3. Les dommages imputables à : accident, modification, mésusage ou abus, incendie, inondation, actes de Dieu, installation fautive, ou installation non conforme aux codes locaux d'électricité et de plomberie, ou l'utilisation d'un produit non approuvé par KitchenAid ou KitchenAid Canada.
4. Tous les frais de main-d'oeuvre pendant la période de garantie limitée.
5. Les pièces de rechange ou les frais de main-d'oeuvre pour les appareils utilisés en dehors du Canada.
6. La prise en charge et la livraison de l'appareil chez l'utilisateur. Ce produit est conçu pour être réparé à domicile.
7. Les réparations de pièces ou systèmes imputables à des modifications non autorisées effectuées sur l'appareil.
8. Les frais de voyage ou de transport pour les clients qui habitent dans des régions éloignées.

---

## KITCHENAID OU KITCHENAID CANADA N'ASSUME AUCUNE RESPONSABILITÉ POUR LES DOMMAGES FORTUITS OU INDIRECTS.

Certaines provinces peuvent ne pas admettre l'exclusion ou la limitation des dommages fortuits ou indirects; par conséquent, l'exclusion ou la limitation mentionnée ci-dessus peut ne pas s'appliquer dans votre cas. Cette garantie vous confère des droits juridiques spécifiques; vous pouvez également jouir d'autres droits, variables d'une province à une autre.

**À l'extérieur du Canada, cette garantie ne s'applique pas. Contacter votre marchand KitchenAid autorisé pour déterminer si une autre garantie s'applique.**

Si une intervention de service est nécessaire, consulter d'abord la section "Dépannage" de ce manuel. Une autre aide peut être trouvée en vérifiant la section "Assistance ou service" ou en téléphonant à KitchenAid Canada au **1-800-807-6777**. 11/04

---

**Conserver ce manuel et la facture d'achat ensemble en lieu sûr pour consultation ultérieure. Pour le service sous garantie, vous devez présenter un document prouvant la date d'achat ou d'installation.**

Inscrivez les renseignements suivants à propos de votre lave-vaisselle pour mieux obtenir assistance ou service en cas de besoin. Vous devez connaître les numéros de modèle et de série complets. Cette information est indiquée sur la plaque signalétique dont l'emplacement sur votre appareil est indiqué à la section "Pièces et caractéristiques".

Nom du marchand \_\_\_\_\_

Adresse \_\_\_\_\_

Numéro de téléphone \_\_\_\_\_

Numéro de modèle \_\_\_\_\_

Numéro de série \_\_\_\_\_

Date d'achat \_\_\_\_\_

**8564765A**

© 2004. All rights reserved.  
Tous droits réservés.

® Registered Trademark/TM Trademark of KitchenAid, U.S.A., KitchenAid Canada licensee in Canada  
® Marque déposée/TM Marque de commerce de KitchenAid, U.S.A., Emploi licencié par KitchenAid Canada au Canada

12/04  
Printed in U.S.A.  
Imprimé aux É.-U.