

Galaxy™

Washer

Use & Care Guide

Lavadora

Manual de uso y cuidado

Laveuse

Guide d'utilisation et d'entretien

Table of Contents / Índice / Table des matières 2

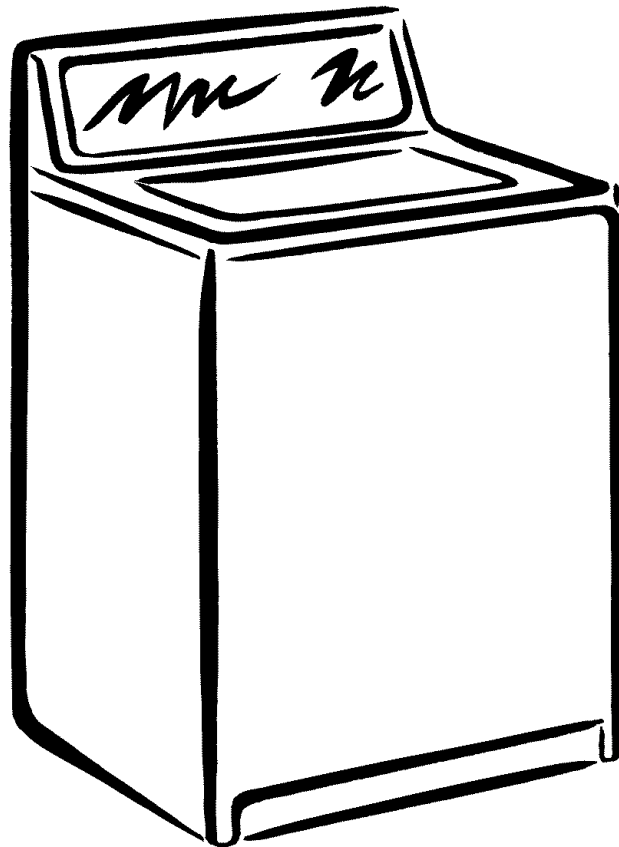


Table of Contents / Índice / Table des matières

PRODUCT RECORD 2	REGISTRO DEL PRODUCTO 10	ENREGISTREMENT DU PRODUIT 19
WASHER SAFETY 3	SEGURIDAD DE LA LAVADORA 11	SÉCURITÉ DE LA LAVEUSE 20
WASHER USE 4	USO DE LA LAVADORA 12	UTILISATION DE LA LAVEUSE 21
Starting Your Washer..... 4	Puesta en marcha de su lavadora 12	Mise en marche de la laveuse 21
WASHER CARE 5	CUIDADO DE LA LAVADORA 13	ENTRETIEN DE LA LAVEUSE 22
Cleaning Your Washer 5	Cómo limpiar su lavadora 13	Nettoyage de la laveuse..... 22
Water Inlet Hoses..... 5	Mangueras de entrada de agua..... 13	Tuyaux d'arrivée d'eau..... 22
Moving and Storage..... 5	Mudanza y almacenaje 13	Préparation avant un entreposage ou un déménagement 22
STAIN REMOVAL GUIDE 6	GUÍA PARA LA REMOCIÓN DE MANCHAS 14	GUIDE D'ÉLIMINATION DES TACHES 23
TROUBLESHOOTING 7	SOLUCIÓN DE PROBLEMAS 15	DÉPANNAGE 24
Washer and Components 7	Lavadora y componentes 15	La laveuse et ses composants 24
Washer Operation 7	Funcionamiento de la lavadora..... 15	Fonctionnement de la laveuse..... 24
Clothing Care 8	Cuidado de la ropa 16	Soin des vêtements 25
PROTECTION AGREEMENTS 9	CONTRATOS DE PROTECCIÓN 18	CONTRATS DE PROTECTION 26
In the U.S.A. 9	En los EE.UU. 18	Aux États-Unis 26
In Canada 9	En Canadá..... 18	Au Canada..... 27
WARRANTY 10	GARANTÍA 19	GARANTIE 27
SERVICE NUMBERS BACK COVER	NÚMEROS DE SERVICIO CONTRAPORTADA	NUMÉROS DE SERVICE COUVERTURE ARRIÈRE

Product Record

For service or warranty assistance, you will need the following information. Have this information available when you contact Sears concerning your appliance.

To contact Sears, please refer to the Warranty and the back page of this manual.

In the space following, record your complete model number, serial number, and purchase date. You can find this information on the model and serial number label, located under the washer lid.

Model number 110. _____

Serial number _____

Purchase date _____

Inlet Hose replacement date _____

Inlet Hose replacement date _____

Inlet Hose replacement date _____

Replace inlet hoses after 5 years of use to reduce the risk of hose failure.

Save these instructions and your sales receipt for future reference.

WASHER SAFETY

Your safety and the safety of others are very important.

We have provided many important safety messages in this manual and on your appliance. Always read and obey all safety messages.



This is the safety alert symbol.

This symbol alerts you to potential hazards that can kill or hurt you and others.

All safety messages will follow the safety alert symbol and either the word "DANGER" or "WARNING."

These words mean:

⚠ DANGER

You can be killed or seriously injured if you don't immediately follow instructions.

⚠ WARNING

You can be killed or seriously injured if you don't follow instructions.

All safety messages will tell you what the potential hazard is, tell you how to reduce the chance of injury, and tell you what can happen if the instructions are not followed.

IMPORTANT SAFETY INSTRUCTIONS

WARNING: To reduce the risk of fire, electric shock, or injury to persons when using the washer, follow basic precautions, including the following:

- Read all instructions before using the washer.
- Do not wash articles that have been previously cleaned in, washed in, soaked in, or spotted with gasoline, dry-cleaning solvents, other flammable, or explosive substances as they give off vapors that could ignite or explode.
- Do not add gasoline, dry-cleaning solvents, or other flammable, or explosive substances to the wash water. These substances give off vapors that could ignite or explode.
- Under certain conditions, hydrogen gas may be produced in a hot water system that has not been used for 2 weeks or more. **HYDROGEN GAS IS EXPLOSIVE.** If the hot water system has not been used for such a period, before using the washing machine, turn on all hot water faucets and let the water flow from each for several minutes. This will release any accumulated hydrogen gas. As the gas is flammable, do not smoke or use an open flame during this time.
- Do not allow children to play on or in the washer. Close supervision of children is necessary when the washer is used near children.
- Before the washer is removed from service or discarded, remove the door or lid.
- Do not reach into the washer if the drum, tub or agitator is moving.
- Do not install or store the washer where it will be exposed to the weather.
- Do not tamper with controls.
- Do not repair or replace any part of the washer or attempt any servicing unless specifically recommended in this manual or in published user-repair instructions that you understand and have the skills to carry out.
- See "Electrical Requirements" for grounding instructions.

SAVE THESE INSTRUCTIONS

WASHER USE

Starting Your Washer

⚠ WARNING



Fire Hazard

Never place items in the washer that are dampened with gasoline or other flammable fluids.

No washer can completely remove oil.

Do not dry anything that has ever had any type of oil on it (including cooking oils).

Doing so can result in death, explosion, or fire.

⚠ WARNING



Electrical Shock Hazard

Plug into a grounded 3 prong outlet.

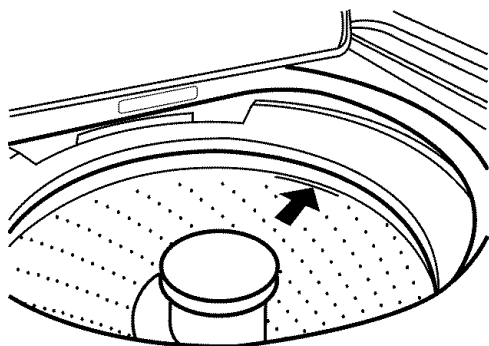
Do not remove ground prong.

Do not use an adapter.

Do not use an extension cord.

Failure to follow these instructions can result in death, fire, or electrical shock.

1. Measure detergent and pour it into the washer. If desired, add powdered or liquid color safe bleach.
2. Drop a sorted load of clothes loosely into your washer.
 - Load evenly to maintain washer balance. Mix large and small items. Items should move easily through the wash water.
 - Load only to the top of the basket as shown. Overloading can cause poor cleaning.



3. (Optional Step) Add liquid chlorine bleach.
 - Let the washer fill and begin agitating the load.
 - Add bleach 5 minutes into the wash cycle for best cleaning and so that bleach can be removed in the rinse cycle. Pour bleach around the agitator, not directly onto the load to avoid damaging clothing or other items in the load.

NOTE: Follow the garment and the chlorine bleach manufacturers' directions for proper use. Undiluted bleach will damage any fabric it touches. The damage appears as rips, holes, tears, or color loss and may not show up until several washings later. To avoid spilling, use a cup with a pouring spout. Do not let bleach splash, drip, or run down into the washer basket. Always measure liquid chlorine bleach. Do not guess. Do not use more than the manufacturer's recommended amount for a full load. Use less with a smaller load size.

4. (Optional Step) Add liquid fabric softener.
 - In the final rinse only, add fabric softener that has been diluted with ½ to 1 cup (125 to 250 mL) warm water.

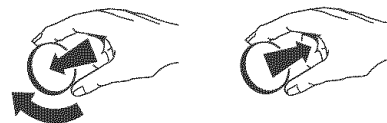
NOTE: Do not spill or drip any fabric softener onto the clothes. Undiluted fabric softener can stain fabrics. Always dilute fabric softener with warm water. Too much fabric softener can make some items (diapers and towels) nonabsorbent. If this happens, do not use it every load, or use less of it in each load.

5. Close the washer lid.
6. Set the TEMPERATURE selector to the correct setting for the type of fabric and soils being washed. Use the warmest wash water safe for fabric. Follow garment label instructions.

Water Temp	Use for
Warm	Heavy soils Bright colors Whites and pastels Moderate to light soils
Cold	Colors that bleed or fade Light soils

NOTE: In wash water temperatures colder than 60°F (15.6°C), detergents do not dissolve well. Soils can be difficult to remove. Some fabrics can retain wear wrinkles and have increased pilling (the formation of small lint-like balls on the surface of garments).

7. Push in the Cycle Control knob and turn it clockwise to the wash cycle you want. Pull out the Cycle Control knob to start the washer.



To stop or restart your washer:

- To stop the washer at any time, push in the Cycle Control knob.
- To restart the washer, close the lid (if open) and pull out the Cycle Control knob.

WASHER CARE

Cleaning Your Washer

Use a soft, damp cloth or sponge to wipe up any spills such as detergent or bleach from the outside of your washer.

Clean your washer interior by mixing 1 cup (250 mL) of chlorine bleach and 2 cups (500 mL) of detergent. Pour this mixture into your washer and run it through a complete cycle using hot water. Repeat this process if necessary.

Remove any hard water deposits using only cleaners labeled as washer safe.

Water Inlet Hoses

Replace inlet hoses after 5 years of use to reduce the risk of hose failure. Periodically inspect and replace inlet hoses if bulges, kinks, cuts, wear or leaks are found.

When replacing your inlet hoses, mark the date of replacement on the hose with a permanent marker or in the product record section of this book.

Moving and Storage

Because some water may stay in the hoses, freezing can damage your washer. If storing or moving your washer during freezing weather, winterize it.

Winterizing your washer

1. Shut off both water faucets. Disconnect and drain water inlet hoses. Pour 1 qt (1 L) of R.V.-type antifreeze into the basket.
 2. Run washer on a drain and spin setting for about 30 seconds to mix the antifreeze and remaining water.
 3. Unplug washer or disconnect power.
-

To use washer again

1. Flush water pipes and hoses. Reconnect water inlet hoses. Turn on both water faucets.

⚠ WARNING



Electrical Shock Hazard

Plug into a grounded 3 prong outlet.

Do not remove ground prong.

Do not use an adapter.

Do not use an extension cord.

Failure to follow these instructions can result in death, fire, or electrical shock.

2. Plug in washer or reconnect power.
 3. Run the washer through a complete cycle with 1 cup (250 mL) of detergent to clean out antifreeze.
-

Storage, non-use or vacation care

Operate your washer only when you are at home. If you will be on vacation or not using your washer for an extended period of time, you should:

1. Unplug washer or disconnect power.
2. Turn off the water supply to the washer. This helps avoid accidental flooding (due to a water pressure surge) while you are away.

STAIN REMOVAL GUIDE



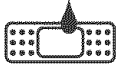
Antiperspirants, Deodorants

Apply a prewash soil and stain remover. Let stand for 5 to 10 minutes. Wash in hottest water safe for fabric.



Mud

Brush off the dry mud. Rinse under cold water. Pretreat with a paste of detergent and water. Launder using detergent and bleach safe for the fabric.



Blood

Rinse immediately or soak in cold water with detergent for 30 minutes. Rinse. Rub detergent into any remaining stains. Rinse thoroughly. Wash.



Ring around the Collar

Pretreat with heavy liquid laundry detergent or soak garment in warm water with a granular laundry detergent.



Cream, Milk, Ice Cream

Sponge immediately or apply a prewash soil and stain remover. Rinse. Wash. Repeat if necessary. If stain remains, apply a few drops of liquid detergent. Rinse. If stain remains, soak. Wash.



Chocolate/Coffee

Rinse immediately in cold water. Soak or prewash in warm water using a detergent containing enzymes. Wash. Difficult stains may require using a bleach safe for the fabric.



Grape, Wine

Soak immediately in cool water. Wash. If stain remains, cover area with a paste made of color-safe bleach and a few drops of hot water. Wait 15 to 20 minutes. Wash.



Cosmetics

Dampen stain and rub with bar soap. Rinse. Pretreat with laundry detergent (liquid or a paste of granular detergent and water). Wash.



Grass

Use an enzyme presoak or rub enzyme detergent on the stain. Launder with detergent and bleach appropriate for the fabric.



Dirty Motor Oil

Pretreat with a liquid laundry detergent or a paste of granular detergent and water. Wash.



Ketchup, Tomato Products

Sponge immediately or apply a prewash soil and stain remover. Rinse. Wash. If stain remains, apply a liquid detergent to stain or soak in warm water with detergent. Rewash.

■ Do not tumble dry soiled or stained items. Heat may permanently set stains.

TROUBLESHOOTING

First try the solutions suggested here and possibly avoid the cost of a service call...

Washer and Components

Noisy, vibrating, off-balance

- **Did you completely remove the yellow shipping strap with cotter pins from the rear of the washer?** See “Installation Instructions.”
- **Is the floor flexing, sagging or not level?** Flooring that flexes or is uneven can contribute to noise and vibration of the washer. A ¾" (1.9 cm) piece of plywood under the washer will reduce the sounds. See “Installation Instructions.”
- **Is the washer level?** The washer must be level. See “Installation Instructions.”
- **Are the front feet installed?** The front feet should be properly installed and the nuts tightened. Reset the rear leveling legs. All four feet must be firmly in contact with the floor. See “Installation Instructions.”
- **Is the load balanced?** Evenly distribute the load in the washer basket and make sure the height of the load does not exceed the top row of basket holes.
- **Are the gears engaging after the drain and before spin, or is the upper part of agitator clicking during wash?** These are normal washer noises.
- **Is the washer gurgling or humming?** When the washer drains, the pump will make a continuous humming with periodic gurgling or surging sounds as the final amounts of water are removed. This is normal.
- **The washer basket moves while washing.** This is normal.

Leaking

- **Are the fill hoses tight?**
- **Are the fill hose gaskets properly seated?** Check both ends of each hose. See “Connect the Inlet Hoses” in the Installation Instructions.
- **Is the drain hose properly installed?** The drain hose should be secured to the drainpipe or laundry tub. See “Secure the Drain Hose” in the Installation Instructions.
- **Is the sink or drain clogged?** Sink and drainpipe must be able to carry away 17 gal. (64 L) of water per minute. If sink or drainpipe is clogged or slow, water can back up out of drainpipe or sink. Check household plumbing (laundry tubs, faucets, drainpipe, water pipes) for leaks.
- **Is water splashing off the tub ring?** Center the tub before starting the washer.
- **Is water splashing off the load?** Evenly distribute the load in the washer basket and make sure the height of the load does not exceed the top row of basket holes. The fill or spray rinses can splash off the load.
- **Is the washer properly installed?** The washer must be level. The front feet should be properly installed and the nuts tightened. Reset the rear leveling legs. See “Level the Washer” in the Installation Instructions.

Dispenser operation

- **Did you follow the manufacturer’s directions when adding detergent and fabric softener to the dispensers (on some models)?** Measure detergent and fabric softener. Slowly pour into the dispensers. Wipe up all spills. Dilute fabric softener in the fabric softener dispenser.
- **Did you put powdered or liquid color-safe bleach into the liquid chlorine bleach dispenser (on some models)?** Add powdered or liquid color-safe bleach directly to the washer basket. Do not use the chlorine bleach dispenser for color-safe bleach.
- **Is the fabric softener dispenser clogged?** Clean the fabric softener dispenser. See “Washer Care” for details.

Washer Operation

⚠ WARNING



Electrical Shock Hazard

- Plug into a grounded 3 prong outlet.
- Do not remove ground prong.
- Do not use an adapter.
- Do not use an extension cord.
- Failure to follow these instructions can result in death, fire, or electrical shock.

Washer won’t run, fill, rinse or agitate; washer stops

- **Is the power cord plugged into a grounded 3 prong outlet?** Plug power cord into a grounded 3 prong outlet.
- **Are you using an extension cord?** Do not use an extension cord.
- **Is the indicator on the Cycle control knob properly lined up with a cycle?** Turn the Cycle control knob to the right slightly and pull to start.
- **Are the water inlet valve screens clogged?** Turn off the water and remove inlet hoses from the washer. Remove any accumulated film or particles. Reinstall hoses, turn on water and check for leaks.
- **Are both the hot and cold water faucets turned on?** Turn on the water.
- **Is the water inlet hose kinked?** Straighten the hoses.

- **Does the water level seem too low, or does the washer appear to not fill completely?** The top of the agitator is much higher than the highest water level. This is normal and necessary for clothes to move freely.
- **Has a household fuse blown, or has a circuit breaker tripped?** Replace the fuse or reset the circuit breaker. If the problem continues, call an electrician.
- **Is the washer in a normal pause in the cycle?** The washer pauses for about 2 minutes during certain cycles. Allow the cycle to continue. Some cycles feature periods of agitation and soak.
- **Is the washer overloaded?** Wash smaller loads.
- **Is the lid open?** The lid must be closed during operation. Washer will not agitate or spin with the lid open.

Washer continues to fill or drain, cycle seems stuck

- **Is the top of drain hose lower than the control knobs on washer?** The top of the drain hose must be at least 39" (99 cm) above the floor. See "Drain System" in the Installation Instructions.
- **Does the drain hose fit too tightly in the standpipe, or is it taped to the standpipe?** The drain hose should be loose yet fit securely. Do not seal the drain hose with tape. The hose needs an air gap. See "Secure the Drain Hose" in the Installation Instructions.

Washer won't drain or spin, water remains in washer

- **Is the drain hose clogged, or the end of the drain hose more than 96" (244 cm) above the floor?** See "Drain System" in the Installation Instructions.
- **Is the lid open?** The lid must be closed during operation. Washer will not agitate or spin with the lid open.
- **Is there excessive sudsing?** Always measure detergent. Follow manufacturer's directions. If you have very soft water, you might need to use less detergent.

Wash/Rinse temperature

- **Are the hot and cold water inlet hoses reversed?** See "Connect the Inlet Hoses" in the Installation Instructions.
- **Are you washing many loads?** As your frequency of loads washed increases, the water temperature may decrease for hot and warm temperatures. This is normal.
- **Did you select a Warm/Warm temperature setting?** On models without AUTO TEMPERATURE CONTROL (ATC) that do have a Warm/Warm temperature selection, the warm wash will be followed by an energy saving cold rinse followed by warm spray rinses. This saves energy while providing the same rinse performance.
- **Do you have an ENERGY STAR washer?** The wash water temperatures may feel cooler to you than those of your previous washer. This is normal.

Load too wet

- **Did you use the right cycle for the load being washed?** Select a cycle with a higher spin speed (if available).
- **Did you wash an extra large load?** A large unbalanced load could result in a reduced spin speed and wet clothes at the end of the cycle. Evenly distribute the load and make sure the height of the load does not exceed the top row of basket holes.

Residue or lint on load

- **Did you sort properly?** Sort lint givers (towels, chenille) from lint takers (corduroy, synthetics). Also sort by color.
- **Did you overload the washer?** The wash load must be balanced and not overloaded. Clothes should move freely. Lint or powdered detergent can be trapped in the load if overloaded. Wash smaller loads.
- **Did you select the correct water level?** The water level should be correct for the load size. The load should be under water.
- **Did you use enough detergent?** Follow manufacturer's directions. Use enough detergent to hold the lint in the water.
- **Did you line dry your clothing?** If so, you can expect some lint on the clothing. The air movement and tumbling of a dryer removes lint from the load.
- **Was paper or tissue left in the pockets?**
- **Is your water colder than 60°F (15.6°C)?** Wash water colder than 60°F (15.6°C) may not completely dissolve the detergent.
- **Did you use the proper cycle time and agitation speed for the load?** Reducing wash time (duration) and agitation speed are ways to reduce lint.

Load is wrinkled, twisted or tangled

- **Did you unload the washer promptly?** Unload the washer as soon as it stops.
- **Did you use the right cycle for the load being washed?** Use cycles with shorter wash times and low wash and spin speeds (if available) to reduce wrinkling, tangling and twisting.
- **Did you overload the washer?** The wash load must be balanced and not overloaded. Loads should move freely during washing to reduce wrinkling, tangling and twisting.
- **Was the wash water warm enough to relax wrinkles?** If safe for the load, use warm or hot wash water. Use cold rinse water.
- **Are the hot and cold water hoses reversed?** Check to be sure the hot and cold water hoses are connected to the right faucets. A hot rinse followed by spin will cause wrinkling. See "Connect the Inlet Hoses" in the Installation Instructions.
- **Did you wrap items around the agitator?** Drop items loosely into the washer. Do not wrap items around the agitator.

Stains, gray whites, dingy colors

- **Did you properly sort the load?** Dye transfer can occur when mixing whites and colors in a load. Sort dark clothes from whites and lights.
- **Was the wash temperature too low?** Use hot or warm washes if safe for the load. Make sure your hot water system is adequate to provide a hot water wash.
- **Did you use enough detergent, or do you have hard water?** Use more detergent for washing heavy soils in cold or hard water.
- **Are the hot and cold water hoses reversed?** Check to be sure the hot and cold water hoses are connected to the right faucets. See "Connect the Inlet Hoses" in the Installation Instructions.
- **Did you follow the manufacturer's directions when adding detergent and fabric softener?** Measure detergent and fabric softener. Use enough detergent to remove soil and hold it in suspension. Dilute fabric softener and add to the rinse portion of a cycle only. Do not drip fabric softener onto clothes.
- **Is there above average iron (rust) in water?** You may need to install an iron filter.

Garments damaged

- **Were sharp items removed from pockets before washing?** Empty pockets, zip zippers, snap or hook fasteners before washing to prevent snagging and tearing of load.
- **Were strings and sashes tied to prevent tangling?** Straps and strings can easily become entangled in the load, causing strain on seams and tearing.
- **Were items damaged before washing?** Mend rips and broken threads in seams before washing.
- **Did you overload the washer?** The wash load must be balanced and not overloaded. Loads should move freely during washing.
- **Did you add chlorine bleach properly?** Do not pour chlorine bleach directly onto load. Wipe up bleach spills. Undiluted bleach will damage fabrics. Do not place load items on top of the bleach dispenser when loading and unloading the washer (on some models). Do not use more than the manufacturer's recommended amount for a full load.
- **Did you follow the manufacturer's care label instructions?**

PROTECTION AGREEMENTS

In the U.S.A.

Master Protection Agreements

Congratulations on making a smart purchase. Your new Galaxy™ appliance is designed and manufactured for years of dependable operation. But like all products, it may require preventive maintenance or repair from time to time. That's when having a Master Protection Agreement can save you money and aggravation.

Purchase a Master Protection Agreement now and protect yourself from unexpected hassle and expense.

The Master Protection Agreement also helps extend the life of your new appliance. Here's what's included in the Agreement:

- ✓ **Expert service** by our 12,000 professional repair specialists
- ✓ **Unlimited service and no charge** for parts and labor on all covered repairs
- ✓ **"No-lemon" guarantee** – replacement of your covered product if four or more product failures occur within twelve months
- ✓ **Product replacement** if your covered product can't be fixed
- ✓ **Annual Preventive Maintenance Check** at your request – no extra charge
- ✓ **Fast help by phone** – phone support from a Sears technician on products requiring in-home repair, plus convenient repair scheduling
- ✓ **Power surge protection** against electrical damage due to power fluctuations
- ✓ **Rental reimbursement** if repair of your covered product takes longer than promised

Once you purchase the Agreement, a simple phone call is all that it takes for you to schedule service. You can call anytime day or night, or schedule a service appointment online.

Sears has over 12,000 professional repair specialists, who have access to over 4.5 million quality parts and accessories. That's the kind of professionalism you can count on to help prolong the life of your new purchase for years to come. Purchase your Master Protection Agreement today!

Some limitations and exclusions apply. For prices and information call **1-800-827-6655**.

Sears Installation Service

For Sears professional installation of home appliances, garage door openers, water heaters, and other major home items, in the U.S.A. call **1-800-4-MY-HOME®**.

In Canada

Maintenance Agreements

Your purchase has added value because you can depend on Sears HomeCentral® for service. With over 2,400 Service Technicians and access to over 900,000 parts and accessories, we have the tools, parts, knowledge and skills to back our pledge: We Service What We Sell.

Your Galaxy™ appliance is designed, manufactured and tested to provide years of dependable operation. Yet any major appliance may require service from time to time. The Sears Maintenance Agreement offers you an outstanding service program, affordably priced.

The Sears Maintenance Agreement

- Guarantees tomorrow's service at today's price.
- Eliminates repair bills resulting from normal wear and tear.
- Covers non-technical and instructional service calls.
- Provides an annual Preventive Maintenance Check, at your request, to ensure that your appliance is in proper running condition.

Some limitations apply. For information concerning Sears Home Central® Maintenance Agreements, call 1-800-361-6665.

GALAXY™ AUTOMATIC WASHER WARRANTY

90-Day Warranty on Mechanical and Electrical Parts

For ninety days from the date of purchase, when the washer is installed and operated according to instructions attached to or furnished with the product, Sears will repair or replace any mechanical or electrical parts in this washer, if defective in material or workmanship.

Limited 2-Year Warranty on Gearcase Parts*

After ninety days and until two years from the date of purchase, Sears will furnish replacement parts for any defective gearcase parts. You will be charged for labor.

Limited 5-Year Warranty on Plastic Tub*

After ninety days and until five years from date of purchase, Sears will furnish a replacement plastic tub for any plastic tub which is defective in material or workmanship. You will be charged for labor.

Warranty Restriction

If this washer is operated for any purpose other than private family use, all warranty coverage is restricted to 90 days from the date of purchase.

Warranty Service

Warranty service is available by contacting Sears at **1-800-4-MY-HOME®**. This warranty applies only while the product is in use in the United States or Canada.

This warranty gives you specific legal rights and you may also have other rights which vary from state to state or province to province.

For Sears warranty information or to contact a Sears Service Center, please reference the service numbers located on the back page of this manual.

Sears, Roebuck and Co.
D/817WA, Hoffman Estates, IL 60179

Sears Canada Inc.
Toronto, Ontario, Canada M5B 2B8

*In Canada a different warranty may apply.

INSTRUCCIONES PARA EL USUARIO DE LA LAVADORA

Registro del producto

Para obtener asistencia acerca del servicio o la garantía, usted necesitará tener la siguiente información. Tenga esta información disponible cuando se ponga en contacto con Sears acerca de su electrodoméstico.

Para ponerse en contacto con Sears, sírvase tomar como referencia la Garantía y la contraportada de este manual.

En el espacio siguiente, anote su número completo de modelo y serie así como la fecha de compra. Podrá encontrar esta información en la etiqueta con el número del modelo y de la serie, ubicados debajo de la tapa de la lavadora.

Número de modelo **110.** _____

Número de serie _____

Fecha de compra _____

Fecha de reemplazo de la manguera de entrada _____

Fecha de reemplazo de la manguera de entrada _____

Fecha de reemplazo de la manguera de entrada _____

Reemplace las mangueras de entrada después de 5 años de uso para reducir el riesgo de que fallen.

Guarde estas instrucciones y su comprobante de compra para referencia futura.

SEGURIDAD DE LA LAVADORA

Su seguridad y la seguridad de los demás es muy importante.

Hemos incluido muchos mensajes importantes de seguridad en este manual y en su electrodoméstico. Lea y obedezca siempre todos los mensajes de seguridad.



Este es el símbolo de advertencia de seguridad.

Este símbolo le llama la atención sobre peligros potenciales que pueden ocasionar la muerte o una lesión a usted y a los demás.

Todos los mensajes de seguridad irán a continuación del símbolo de advertencia de seguridad y de la palabra "PELIGRO" o "ADVERTENCIA". Estas palabras significan:

⚠ PELIGRO

Si no sigue las instrucciones de inmediato, usted puede morir o sufrir una lesión grave.

⚠ ADVERTENCIA

Si no sigue las instrucciones, usted puede morir o sufrir una lesión grave.

Todos los mensajes de seguridad le dirán el peligro potencial, le dirán cómo reducir las posibilidades de sufrir una lesión y lo que puede suceder si no se siguen las instrucciones.

INSTRUCCIONES IMPORTANTES DE SEGURIDAD

ADVERTENCIA: Para reducir el riesgo de incendio, choque eléctrico o lesiones a personas al usar su lavadora, siga las precauciones básicas, incluyendo las siguientes:

- Lea todas las instrucciones antes de usar la lavadora.
- No lave artículos que hayan sido previamente limpiados, lavados, remojados o humedecidos con gasolina, solventes para lavar en seco, u otras sustancias inflamables o explosivas ya que éstas emanan vapores que podrían encenderse o causar una explosión.
- No agregue gasolina, solventes para lavar en seco, u otras sustancias inflamables o explosivas al agua de lavado. Estas sustancias emanan vapores que podrían encenderse o causar una explosión.
- En ciertas condiciones, puede generarse gas hidrógeno en un sistema de agua caliente que no se haya usado por dos semanas o un período mayor. **EL GAS HIDRÓGENO ES EXPLOSIVO.** Si no se ha usado el agua caliente durante dicho período, antes de usar la lavadora, abra todos los grifos de agua caliente y deje que corra el agua por varios minutos. Esto liberará todo el gas hidrógeno que se haya acumulado. Debido a la inflamabilidad de dicho gas, no fume ni use una llama abierta durante este lapso.
- No permita que los niños jueguen encima o dentro de la lavadora. Es necesario una supervisión cuidadosa de los niños toda vez que se use la lavadora cerca de ellos.
- Antes de poner la lavadora fuera de servicio o desecharla, quítele la puerta o la tapa.
- No introduzca las manos en la lavadora si el tambor, la tina, o el agitador están funcionando.
- No instale ni almacene esta lavadora donde pudiese estar sometida a la intemperie.
- No trate de forzar los controles.
- No repare ni cambie pieza alguna de la lavadora ni intente realizar tarea alguna de servicio técnico, excepto cuando así se le indique específicamente en este manual o en instrucciones de reparación para el usuario publicadas, que usted entienda y para cuya ejecución cuente con la habilidad necesaria.
- Para obtener información respecto a los requisitos de conexión a tierra, refiérase a los "Requisitos Eléctricos".

GUARDE ESTAS INSTRUCCIONES

USO DE LA LAVADORA

Puesta en marcha de su lavadora

⚠ ADVERTENCIA



Peligro de Incendio

Nunca coloque en la lavadora artículos que estén humedecidos con gasolina o cualquier otro líquido inflamable.

Ninguna lavadora puede eliminar completamente el aceite.

No seque ningún artículo que haya tenido alguna vez cualquier tipo de aceite (incluyendo aceites de cocina).

No seguir estas instrucciones puede ocasionar la muerte, explosión o incendio.

⚠ ADVERTENCIA



Peligro de Choque Eléctrico

Conecte a un contacto de pared de conexión a tierra de 3 terminales.

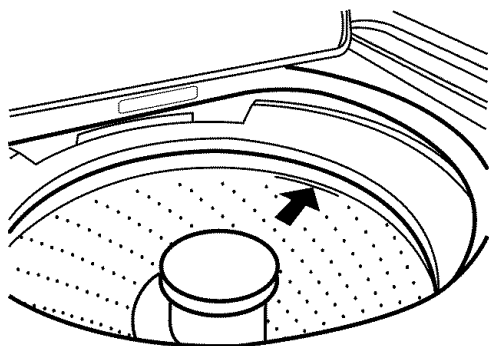
No quite la terminal de conexión a tierra.

No use un adaptador.

No use un cable eléctrico de extensión.

No seguir estas instrucciones puede ocasionar la muerte, incendio o choque eléctrico.

1. Mida el detergente y viértalo en la lavadora. Agregue blanqueador en polvo o blanqueador líquido no decolorante, si lo desea.
2. Coloque en la lavadora la ropa seleccionada de modo que quede suelta.
 - Coloque las prendas de manera uniforme para mantener el equilibrio de la lavadora. Mezcle artículos grandes con artículos pequeños. Las prendas deben moverse con facilidad en el agua de lavado.
 - Cargue solamente hasta la parte superior de la canasta, como se muestra. El sobrecargar la lavadora puede causar una limpieza insatisfactoria.



3. (Paso Opcional) Agregue el blanqueador líquido con cloro.
 - Deje que la lavadora se llene y comience a agitar la ropa.
 - Agregue el blanqueador 5 minutos después de que comience el ciclo de lavado para una mejor limpieza y para que el blanqueador se pueda quitar en el ciclo de enjuague. Vierta el blanqueador alrededor del agitador, no directamente sobre la carga para evitar dañar las prendas u otros artículos de la carga.

NOTA: Siga las instrucciones del fabricante de las prendas y del blanqueador con cloro para el uso adecuado del mismo. El blanqueador no diluido daña cualquier tejido que toque. Estos daños aparecen como rasgaduras, roturas o decoloraciones y quizás no aparezcan hasta después de varios lavados. Use una taza con un pico vertedor para evitar derrames. No deje que el blanqueador salpique, gotee, o se corra dentro de la canasta de la lavadora. Siempre mida el blanqueador líquido con cloro. No lo haga al cálculo. No use más de la cantidad recomendada por el fabricante para una carga completa. Use menos con una carga de menor tamaño.

4. (Paso Opcional) Agregue el suavizante líquido de telas.
 - Agregue el suavizante de telas que ha sido diluido con $\frac{1}{2}$ a 1 taza (125 a 250 mL) de agua tibia solamente en el enjuague final.

NOTA: No derrame o gotee el suavizante de telas sobre las prendas. El suavizante de telas sin diluir puede manchar la tela. Siempre diluya el suavizante de telas con agua tibia. El exceso de suavizante de telas puede quitar la capacidad de absorción de algunos productos (pañales y toallas). Si sucede esto, no lo use o use menos en cada carga.

5. Cierre la tapa de la lavadora.

6. Fije el selector de temperatura (TEMPERATURE) al ajuste adecuado para el tipo de tela y suciedad que va a lavar. Use el agua más caliente que la tela pueda resistir. Siga las instrucciones de la etiqueta de las prendas.

Temperatura del agua	Para usar con
Tibia (Warm)	Suciedad profunda Colores brillantes Ropa blanca y de color pastel Suciedad entre moderada y ligera
Fría (Cold)	Colores que destiñen o que se opacan Suciedad ligera

NOTA: En temperaturas de agua inferiores a 60°F (15,6°C), los detergentes no se disuelven bien. Además puede ser difícil quitar la suciedad. Algunas telas pueden retener las arrugas del uso y aumentar la formación de motitas (la formación de pequeñas bolitas en la superficie de las prendas).

7. Empuje la perilla de control de ciclos y gírela en la dirección de las manecillas del reloj hasta el ciclo de lavado que desee. Jale la perilla del control de ciclos para poner la lavadora en marcha.



Para detener o volver a poner en marcha su lavadora:

- Para detener la lavadora en cualquier momento, empuje la perilla de control de ciclos.
- Para volver a poner en marcha la lavadora, cierre la tapa (si está abierta) y jale la perilla de control de ciclos.

CUIDADO DE LA LAVADORA

Cómo limpiar su lavadora

Use un paño o una esponja suave y húmeda para limpiar cualquier derrame, tales como los de detergente o blanqueador, de la parte exterior de su lavadora.

Limpie el interior de su lavadora mezclando 1 taza (250 mL) de blanqueador con cloro y 2 tazas (500 mL) de detergente. Vierta esta mezcla en su lavadora y deje funcionar su lavadora durante un ciclo completo, utilizando agua caliente. Repita este proceso si fuera necesario.

Quite los depósitos endurecidos de agua usando solamente productos de limpieza cuya etiqueta indica que pueden emplearse en lavadoras.

Mangueras de entrada de agua

Reemplace las mangueras de entrada de agua después de 5 años de uso para reducir el riesgo de fallas. Revise periódicamente y cambie las mangueras de entrada si se hallan protuberancias, torceduras, cortes, desgaste o pérdidas de agua.

Cuando reemplace las mangueras de entrada, anote la fecha de reemplazo en la manguera con un rotulador permanente o en la sección de registro del producto de este libro.

Mudanza y almacenaje

Debido a que puede quedar un poco de agua en las mangueras, el congelamiento de la misma podría dañar su lavadora. Si va a guardar o trasladar su lavadora durante una temporada de invierno riguroso, acondiciónela para el invierno.

Cómo preparar su lavadora para el invierno

1. Cierre ambos grifos de agua. Desconecte y elimine el agua de las mangueras de entrada de agua. Vierta 1 cuarto (1 L) de anticongelante tipo R.V. en la canasta.
2. Ponga a funcionar la lavadora en un ajuste de desagüe y exprimido por 30 segundos aproximadamente para mezclar el anticongelante y el agua.
3. Desenchufe la lavadora o desconecte el suministro de energía.

Para volver a usar la lavadora

1. Deje correr el agua por los tubos y las mangueras. Vuelva a conectar las mangueras de entrada de agua. Abra ambos grifos de agua.

⚠ ADVERTENCIA



Peligro de Choque Eléctrico

Conecte a un contacto de pared de conexión a tierra de 3 terminales.

No quite la terminal de conexión a tierra.

No use un adaptador.

No use un cable eléctrico de extensión.

No seguir estas instrucciones puede ocasionar la muerte, incendio o choque eléctrico.

2. Enchufe la lavadora o reconecte el suministro de energía.
3. Ponga a funcionar la lavadora por un ciclo completo con 1 taza (250 mL) de detergente para limpiar el anticongelante.

Almacenaje, falta de uso o cuidado durante las vacaciones

Ponga a funcionar su lavadora únicamente cuando esté en casa. Si va a salir de vacaciones o no va a usar la lavadora durante un período prolongado de tiempo usted debe:

1. Desenchufar la lavadora o desconectar el suministro de energía.
2. Interrumpir el suministro de agua a la lavadora. Esto ayuda a evitar inundaciones accidentales (debido a aumentos en la presión del agua) en ausencia suya.

GUÍA PARA LA REMOCIÓN DE MANCHAS



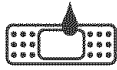
Antitranspirantes, desodorantes

Aplique un removedor de suciedad y manchas antes del lavado. Déjelo reposar durante 5 a 10 minutos. Lave en el agua más caliente que la tela pueda resistir.



Barro

Quite el barro seco con un cepillo. Enjuague en agua fría. Trate previamente con una pasta de detergente y agua. Lave usando detergente y blanqueador apto para el tipo de tela.



Sangre

Enjuague inmediatamente o remoje en agua fría y detergente durante 30 minutos. Enjuague. Frote detergente en las manchas que hayan persistido. Enjuague bien. Lave.



Marcas alrededor del cuello

Pretratar con un detergente líquido fuerte para lavandería o remoje la prenda en agua tibia con un detergente para lavandería granulado.



Crema, leche, helado

Limpie con una esponja inmediatamente o aplique un removedor de suciedad y manchas antes del lavado. Enjuague. Lave. Repita si fuera necesario. Si la mancha persiste, aplique algunas gotas de detergente líquido. Enjuague. Si la mancha persiste, ponga en remojo. Lave.



Chocolate/Café

Enjuague inmediatamente en agua fría. Remoje o prelave en agua tibia usando un detergente con encimas. Lave. Es posible que para las manchas rebeldes tenga que usar un blanqueador apto para el tipo de tela.



Uva, vino

Remoje inmediatamente en agua fría. Lave. Si la mancha persiste, cubra el área con una pasta de blanqueador no decolorante y algunas gotas de agua caliente. Espere de 15 a 20 minutos. Lave.



Cosméticos

Humedezca la mancha y frote con un jabón en barra. Enjuague. Trate previamente con detergente de lavandería (líquido o una pasta de detergente granulado y agua). Lave.



Pasto

Use un producto para remojo previo con encimas o frote un detergente con encimas sobre la mancha. Lave con detergente y blanqueador adecuado para la tela.



Aceite de motor sucio

Trate previamente con un detergente de lavandería líquido o una pasta de detergente granulado y agua. Lave.



Ketchup, productos derivados de tomate

Limpie con una esponja inmediatamente o aplique un removedor de suciedad y manchas antes del lavado. Enjuague. Lave. Si la mancha persiste, aplique un detergente líquido a la mancha o remoje en agua tibia con detergente. Vuelva a lavar.

■ No seque con rotación los artículos con suciedad o manchas. El calor puede fijar las manchas permanentemente.

SOLUCIÓN DE PROBLEMAS

En primer lugar, pruebe las soluciones sugeridas aquí y posiblemente se evite el gasto de una llamada de servicio técnico...

Lavadora y componentes

Ruidosos, vibrantes, desequilibrados

- **¿Ha quitado por completo el fleje de embalaje amarillo con chavetas de la parte posterior de la lavadora?** Vea “Instrucciones de instalación”.
- **¿Está el piso combado, doblado o desnivelado?** Un piso que está combado o desnivelado puede contribuir a que la lavadora haga ruido y vibre. Los sonidos se pueden reducir colocando una madera laminada de ¾" (1,9 cm) debajo de la lavadora. Vea “Instrucciones de instalación”.
- **¿Está nivelada la lavadora?** La lavadora debe estar nivelada. Vea “Instrucciones de instalación”.
- **¿Están instaladas las patas niveladoras delanteras?** Las patas delanteras deben estar debidamente instaladas y las tuercas ajustadas. Reajuste las patas niveladoras traseras. Las cuatro patas deben estar firmemente apoyadas en el piso. Vea “Instrucciones de instalación”.
- **¿Está balanceada la carga?** Distribuya la carga uniformemente en la canasta de la lavadora y asegúrese de que la altura de la carga no supere la línea superior de orificios de la canasta.
- **¿Están cambiando de velocidad los engranajes después del desagüe y antes del exprimido, o está la parte superior del agitador haciendo chasquidos durante el lavado?** Estos ruidos de la lavadora son normales.
- **¿La lavadora produce un gorgoteo o zumbido?** Cuando la lavadora desagua, la bomba generará un zumbido continuo con sonidos de gorgoteo periódicos a medida que se quitan las últimas cantidades de agua. Esto es normal.
- **La canasta de la lavadora se mueve durante el lavado.** Esto es normal.

Pierde agua

- **¿Están ajustadas las mangueras de llenado?**
- **¿Están debidamente colocadas las empaquetaduras de las mangueras de llenado?** Controle ambos extremos de cada manguera. Vea “Conexión de las mangueras de entrada” en las Instrucciones de instalación.
- **¿Se ha instalado debidamente la manguera de desagüe?** Se debe fijar la manguera de desagüe al tubo de desagüe o a la tina de lavadero. Vea “Fijación de la manguera de desagüe” en las Instrucciones de instalación.
- **¿Está obstruido el lavadero o el desagüe?** El lavadero y el tubo de desagüe deben tener la capacidad para desplazar 17 galones (64 L) de agua por minuto. Si están obstruidos o lentos, el agua puede subir y salir por el tubo de desagüe o el lavadero. Revise la plomería de la casa (tinajas de lavadero, grifos, tubo de desagüe, tuberías de agua) y fíjese si hay fugas de agua.
- **¿Se está salpicando el agua fuera del aro del tambor?** Centre el tambor antes de poner la lavadora en marcha.
- **¿Se está salpicando el agua fuera de la carga?** Distribuya la carga uniformemente en la canasta de la lavadora y asegúrese de que la altura de la carga no supere la línea superior de orificios de la canasta. El llenado o los enjuagues por rocío pueden salpicar fuera de la carga.

- **¿Se ha instalado debidamente la lavadora?** La lavadora debe estar nivelada. Las patas delanteras deben estar debidamente instaladas y las tuercas ajustadas. Reajuste las patas niveladoras traseras. Vea “Nivelación de la lavadora” en las Instrucciones de instalación.

Funcionamiento del depósito

- **¿Ha seguido las instrucciones del fabricante cuando agregó el detergente y el suavizante de telas en los depósitos (en algunos modelos)?** Mida el detergente y el suavizante de telas. Viértalos lentamente en el depósito. Limpie todos los derrames. Diluya el suavizante de telas en el depósito del suavizante de telas.
- **¿Ha puesto blanqueador en polvo o blanqueador no decolorante líquido en el depósito del blanqueador con cloro líquido (en algunos modelos)?** Agregue el blanqueador en polvo o blanqueador líquido no decolorante directamente en la canasta de la lavadora. No use el depósito del blanqueador líquido con cloro para el blanqueador no decolorante.
- **¿Está el depósito del suavizante de telas obstruido?** Limpie el depósito del suavizante de telas. Vea “Cuidado de la lavadora” para obtener información más detallada.

Funcionamiento de la lavadora

⚠ ADVERTENCIA



Peligro de Choque Eléctrico

Conecte a un contacto de pared de conexión a tierra de 3 terminales.

No quite la terminal de conexión a tierra.

No use un adaptador.

No use un cable eléctrico de extensión.

No seguir estas instrucciones puede ocasionar la muerte, incendio o choque eléctrico.

La lavadora no se pone en marcha, no llena, no enjuaga o no agita; la lavadora se detiene

- **¿Está el cable eléctrico enchufado en un tomacorriente de 3 terminales con conexión a tierra?** Conecte a un contacto de pared de conexión a tierra de 3 terminales.
- **¿Está usando un cable eléctrico de extensión?** No use un cable eléctrico de extensión.
- **¿Está el indicador de la perilla del control de ciclos debidamente alineado con un ciclo?** Gire la perilla de control de ciclos ligeramente a la derecha y jálela para poner en marcha.

- **¿Están obstruidos los filtros de la válvula de entrada del agua?** Cierre el agua y quite las mangueras de entrada de la lavadora. Saque cualquier película o partículas que se hayan acumulado. Vuelva a abrir las mangueras, abra el agua y revise si hay fugas de agua.
- **¿Están abiertos los grifos del agua caliente y del agua fría?** Abra el agua.
- **¿Está retorcida la manguera de entrada del agua?** Enderece las mangueras.
- **¿Parece que el nivel del agua está demasiado bajo, o parece que la lavadora no se llena por completo?** La parte superior del agitador está mucho más alta que el nivel más alto del agua. Esto es normal y es necesario para que la ropa se mueva libremente.
- **¿Se quemó un fusible de la casa o se disparó un disyuntor?** Reemplace el fusible o reposicione el circuito. Si el problema continúa, llame a un electricista.
- **¿Está la lavadora en una pausa normal en el ciclo?** La lavadora hace una pausa por unos 2 minutos durante ciertos ciclos. Deje continuar el ciclo. Algunos ciclos presentan períodos de agitación y remojo.
- **¿Está sobrecargada la lavadora?** Lave cargas más pequeñas.
- **¿Está abierta la tapa?** La tapa debe estar cerrada durante el funcionamiento. La lavadora no agita ni exprime con la tapa abierta.

La lavadora continúa llenando o desaguando, el ciclo parece estar atascado

- **¿Está la parte superior de la manguera de desagüe más baja que las perillas de control en la lavadora?** La parte superior de la manguera de desagüe debe estar a una altura mínima de 39" (99 cm) del piso. Vea "Sistema de desagüe" en las Instrucciones de instalación.
- **¿La manguera de desagüe encaja de manera forzada en el tubo vertical o está adherida con cinta al tubo vertical?** La manguera de desagüe debe estar floja pero debe encajar bien. No selle la manguera de desagüe con cinta adhesiva. La manguera necesita una abertura para el flujo de aire. Vea "Fijación de la manguera de desagüe" en las Instrucciones de instalación.

La lavadora no desagua ni exprime, el agua queda en la lavadora

- **¿Está obstruida la manguera de desagüe, o el extremo de la manguera de desagüe está a más de 96" (244 cm) por encima del piso?** Vea "Sistema de desagüe" en las Instrucciones de instalación.
- **¿Está abierta la tapa?** La tapa debe estar cerrada durante el funcionamiento. La lavadora no agita ni exprime con la tapa abierta.
- **¿Hay demasiada espuma?** Siempre mida el detergente. Siga las indicaciones del fabricante. Si tiene agua muy suave, quizás necesite menos detergente.

Temperatura de Lavado/Enjuague

- **¿Se han invertido las mangueras de entrada del agua caliente y del agua fría?** Vea "Conexión de las mangueras de entrada" en las Instrucciones de instalación.
- **¿Está lavando muchas cargas?** A medida que aumente la frecuencia de lavado de las cargas, es posible que disminuya la temperatura de agua caliente y tibia. Esto es normal.
- **¿Ha seleccionado un ajuste de temperatura Tibio/Tibio (Warm/Warm)?** En los modelos sin CONTROL AUTOMÁTICO DE TEMPERATURA (CAT) que tienen ajuste de temperatura Tibia/Tibia (Warm/Warm), al lavado con agua tibia le sigue un enjuague con agua fría de ahorro de energía seguido de rociados de enjuague tibios. Esto ahorra energía mientras provee el mismo rendimiento de enjuague.
- **¿Tiene usted una lavadora ENERGY STAR?** Las temperaturas del agua de lavado pueden parecer más frías que las de su lavadora anterior. Esto es normal.

Cuidado de la ropa

Ropa demasiado mojada

- **¿Ha empleado el ciclo correcto para la carga que está lavando?** Seleccione un ciclo con una velocidad más alta de exprimido (si está disponible).
- **¿Ha lavado una carga muy grande?** Una gran carga desequilibrada puede derivar en una menor velocidad de exprimido y ropa húmeda al final del ciclo. Distribuya la carga uniformemente y asegúrese de que la altura de la carga no supere la línea superior de orificios de la canasta.

Residuos o pelusa en la ropa

- **¿Ha separado la ropa adecuadamente?** Separe las prendas que sueltan pelusa (toallas, felpilla) de las que atraen pelusa (pana, artículos sintéticos). También separe por color.
- **¿Ha sobrecargado la lavadora?** La carga de lavado debe estar equilibrada y sin sobrecarga. La ropa debe moverse con libertad. Si la lavadora está sobrecargada, la pelusa o el detergente en polvo pueden quedar adheridos a las prendas. Lave cargas más pequeñas.
- **¿Ha seleccionado el nivel de agua correcto?** El nivel de agua debe ser el apropiado para el tamaño de la carga. La carga debe quedar cubierta por agua.
- **¿Ha usado suficiente detergente?** Siga las indicaciones del fabricante. Use suficiente detergente para mantener la pelusa en el agua.
- **¿Ha secado la ropa en el tendedero?** Si es así, es posible que quede algo de pelusa en la ropa. El movimiento del aire y la rotación de la secadora quitan la pelusa de la carga.
- **¿Se dejó papel o pañuelo de papel en los bolsillos?**
- **¿Está la temperatura del agua por debajo de los 60°F (15,6°C)?** El agua de lavado con una temperatura inferior a 60°F (15,6°C) quizás no disuelva por completo el detergente.
- **¿Ha usado el tiempo del ciclo y la velocidad de agitación apropiados para la carga?** Otra manera de reducir la formación de pelusa es reducir el tiempo (la duración) del lavado y la velocidad de agitación.

La ropa está arrugada, enroscada o enredada

- **¿Ha descargado la lavadora con rapidez?** Descargue la lavadora tan pronto como se detenga.
- **¿Ha empleado el ciclo correcto para la carga que está lavando?** Use ciclos con tiempos de lavado más cortos y bajas velocidades de lavado y exprimido (si están disponibles) para reducir las posibilidades de que la ropa se arrugue, enrede o enrosque.
- **¿Ha sobrecargado la lavadora?** La carga de lavado debe estar equilibrada y sin sobrecarga. Las prendas deben moverse con facilidad durante el lavado para reducir las posibilidades de que la ropa se arrugue, enrosque y enrede.
- **¿Estaba el agua de lavado lo suficientemente tibia para suavizar las arrugas?** Si no va a afectar las prendas, use agua tibia o caliente para el lavado. Para el enjuague, emplee agua fría.
- **¿Se han invertido las mangueras del agua caliente y del agua fría?** Cerciórese de que las mangueras del agua caliente y del agua fría estén conectadas a las llaves correctas. Un enjuague caliente seguido de un exprimido producirá arrugas. Vea “Conexión de las mangueras de entrada” en las Instrucciones de instalación.
- **¿Ha enrollado las prendas alrededor del agitador?** Ponga los artículos de manera suelta en la lavadora. No enrolle los artículos alrededor del agitador.

Manchas, ropa blanca percutida, colores opacos

- **¿Ha separado la ropa adecuadamente?** Siempre que mezcle ropa blanca y de color en una carga puede ocurrir una transferencia de tintes. Separe las prendas de color oscuro de las blancas y claras.
- **¿Estaba la temperatura del agua demasiado baja?** Para lavar use agua caliente o tibia que no afecte la ropa. Cerciórese de que el sistema de agua caliente sea el adecuado para proveer un lavado con agua caliente.
- **¿Ha usado suficiente detergente, o tiene agua dura?** Use más detergente cuando lave prendas con suciedad rebelde en agua dura.

- **¿Se han invertido las mangueras del agua caliente y del agua fría?** Cerciórese de que las mangueras del agua caliente y del agua fría estén conectadas a los grifos correctos. Vea “Conexión de las mangueras de entrada” en las Instrucciones de instalación.
- **¿Ha seguido las instrucciones del fabricante cuando agregó el detergente y el suavizante de telas?** Mida el detergente y el suavizante de telas. Use suficiente detergente para quitar la suciedad y mantenerla en suspensión. Diluya el suavizante de telas y agréguelo solamente en la porción de enjuague del ciclo. No deje escurrir el suavizante de telas sobre la ropa.
- **¿Hay hierro (óxido) por encima del promedio en el agua?** Tal vez necesite instalar un filtro de óxido ferroso.

Prendas dañadas

- **¿Se han quitado los artículos puntiagudos de los bolsillos antes del lavado?** Vacíe los bolsillos, cierre los zippers, los broches de presión y los corchetes antes del lavado para evitar que se enganche y rasgue la carga.
- **¿Se ataron los cordones y fajas para evitar que se enreden?** Los cordones y fajas pueden enredarse fácilmente en la carga, forzando las costuras y produciendo roturas.
- **¿Se dañaron las prendas antes del lavado?** Remiende lo que esté roto y descosido antes del lavado.
- **¿Ha sobrecargado la lavadora?** La carga de lavado debe estar equilibrada y sin sobrecarga. Las prendas deben moverse con facilidad durante el lavado.
- **¿Ha agregado correctamente el blanqueador con cloro?** No vierta el blanqueador con cloro directamente en la carga. Limpie los derrames del blanqueador. El blanqueador no diluido daña los tejidos. No coloque los artículos sobre el depósito del blanqueador cuando ponga o quite la ropa de la lavadora (en algunos modelos). No use más de la cantidad recomendada por el fabricante para una carga completa.
- **¿Ha seguido las instrucciones de la etiqueta de cuidado proporcionadas por el fabricante?**

CONTRATOS DE PROTECCIÓN

En los EE.UU.

Contratos Maestros de Protección

¡Felicitaciones por su inteligente adquisición! Su nuevo electrodoméstico Galaxy™ ha sido diseñado y fabricado para brindarle años de funcionamiento confiable. Pero al igual que todos los productos, puede necesitar mantenimiento preventivo o reparación de vez en cuando. Es allí donde el Contrato Maestro de Protección puede ahorrarle dinero e inconvenientes.

Adquiera un Contrato Maestro de Protección hoy y protéjase contra molestias y gastos inesperados.

El Contrato Maestro de Protección también ayuda a prolongar la vida de su nuevo artefacto. He aquí lo que se incluye en el Contrato:

- ✓ **Servicio Experto** por nuestros 12.000 especialistas en reparación competentes
- ✓ **Servicio ilimitado y gratuito** para repuestos y mano de obra en todas las reparaciones protegidas por el contrato
- ✓ **Garantía "sin disgustos"** - reemplazo de su producto protegido si ocurren cuatro o más fallas del producto en el transcurso de doce meses
- ✓ **Reemplazo del producto** si su producto protegido no puede ser reparado
- ✓ **Revisión Anual de Mantenimiento Preventivo** a solicitud suya - sin costo adicional
- ✓ **Ayuda rápida por teléfono** - asistencia por teléfono a cargo de un técnico de Sears para productos que deban ser reparados en su hogar, además de un horario de reparación conveniente
- ✓ **Protección de sobrevoltaje** contra daños eléctricos debido a fluctuaciones de electricidad
- ✓ **Reembolso de la renta** si la reparación de su producto protegido tarda más de lo prometido

Una vez adquirido el Contrato, tan sólo tiene que llamar para fijar la visita de servicio técnico. Usted puede llamar a cualquier hora, de día o de noche, o fijar una visita técnica en Internet.

Sears cuenta con un equipo de más de 12.000 especialistas en reparación competentes, quienes tienen a disposición más de 4,5 millones de repuestos y accesorios de calidad. Ése es el tipo de profesionalismo con el que usted puede contar para ayudarlo a prolongar la vida de su nuevo artefacto por muchos años más. ¡Adquiera hoy su Contrato Maestro de Protección!

Se aplican algunas limitaciones y exclusiones. Para obtener precios e información adicional, llame al **1-800-827-6655**.

Servicio de Instalación de Sears

Para la instalación profesional de artefactos electrodomésticos, arbridores de puertas de garaje, calentadores de agua y otros artículos importantes de la casa, en los EE.UU. llame al **1-800-4-MY-HOME®**.

En Canadá

Contratos de mantenimiento

Su compra adquiere un nuevo valor ya que usted puede confiar en Sears HomeCentral® para obtener servicio de reparación. Con más de 2.400 especialistas capacitados en reparaciones y acceso a más de 900.000 piezas de repuesto y accesorios, contamos con las herramientas, piezas, conocimiento y la destreza para asegurarnos de respaldar nuestra promesa de que: **Reparamos lo que vendemos.**

Su electrodoméstico Galaxy™ está diseñado, fabricado y sometido a prueba para proporcionarle años de funcionamiento confiable. No obstante, cualquier electrodoméstico puede necesitar servicio técnico de vez en cuando. El contrato de mantenimiento Sears le ofrece un programa de servicio excepcional, a un precio accesible.

El contrato de mantenimiento Sears

- Garantiza el servicio técnico del mañana a precios de hoy.
- Elimina las facturas de reparación producidas por el uso normal y el desgaste.
- Cubre las visitas de servicio no técnicas y educativas.
- Proporciona una revisión anual de mantenimiento preventivo a solicitud suya, para asegurarse de que su electrodoméstico está en condiciones apropiadas de funcionamiento.

Se aplican ciertas restricciones. Para obtener información referente a los Contratos de mantenimiento de Sears Home Central®, llame al 1-800-361-6665.

GARANTÍA DE LA LAVADORA AUTOMÁTICA GALAXY™

Garantía de 90 días para las piezas mecánicas y eléctricas

Durante noventa días a partir de la fecha de compra, si se instala y pone en funcionamiento la lavadora de conformidad con las instrucciones proporcionadas o provistas con el producto, Sears reparará o reemplazará cualquiera de las piezas mecánicas o eléctricas de esta lavadora, si tuviesen defectos en el material o la mano de obra.

Garantía limitada de 2 años en las piezas de la caja de engranaje*

Después de los noventa días y hasta dos años a partir de la fecha de compra, Sears proveerá las piezas de repuesto por cualquier pieza defectuosa de la caja de engranaje. Usted deberá pagar por la mano de obra.

Garantía limitada de 5 años en la tina de plástico*

Después de noventa días y hasta cinco años a partir de la fecha de compra, Sears proveerá una tina de plástico de reemplazo por cualquier tina de plástico que tenga defectos en los materiales o la mano de obra. Usted deberá pagar por la mano de obra.

Restricción de la garantía

Si esta lavadora se opera para cualquier propósito ajeno al doméstico privado, toda la cobertura de la garantía queda restringida a sólo 90 días a partir de la fecha de compra.

Servicio de reparación de la garantía

Puede obtener el servicio de reparación de la garantía comunicándose con Sears al **1-800-4-MY-HOME®**. Esta garantía se aplica sólo mientras el producto se usa en los Estados Unidos o en Canadá.

Esta garantía le otorga derechos legales específicos, y es posible que usted tenga también otros derechos, los cuales varían de un estado a otro o de una provincia a otra.

Para obtener información sobre la garantía de Sears o ponerse en contacto con un Centro de servicio de Sears, sírvase referirse a los números ubicados en la contraportada de este manual.

Sears, Roebuck and Co.
D/817WA, Hoffman Estates, IL 60179

Sears Canada Inc.
Toronto, Ontario, Canada M5B 2B8

*En Canadá puede aplicarse una garantía diferente.

INSTRUCTIONS D'UTILISATION DE LA LAVEUSE

Enregistrement du produit

Pour obtenir de l'aide pour un service ou la garantie, vous aurez besoin des renseignements suivants. Ayez ces renseignements sous la main lorsque vous contactez Sears au sujet de votre appareil.

Pour contacter Sears, veuillez consulter la Garantie et le dos de ce manuel.

Dans l'espace ci-dessous, inscrire les numéros de modèle et de série complets et la date d'achat. Vous pouvez trouver ces renseignements sur la plaque signalétique située sous le couvercle de la laveuse.

Numéro de modèle 110. _____

Numéro de série _____

Date d'achat _____

Date de remplacement du tuyau d'arrivée d'eau _____

Date de remplacement du tuyau d'arrivée d'eau _____

Date de remplacement du tuyau d'arrivée d'eau _____

Remplacer les tuyaux d'arrivée d'eau après 5 ans d'utilisation pour réduire le risque de défaillance intempestive.

Conservez ces instructions et votre reçu de vente pour référence ultérieure.

SÉCURITÉ DE LA LAVEUSE

Votre sécurité et celle des autres est très importante.

Nous donnons de nombreux messages de sécurité importants dans ce manuel et sur votre appareil ménager. Assurez-vous de toujours lire tous les messages de sécurité et de vous y conformer.



Voici le symbole d'alerte de sécurité.

Ce symbole d'alerte de sécurité vous signale les dangers potentiels de décès et de blessures graves à vous et à d'autres.

Tous les messages de sécurité suivront le symbole d'alerte de sécurité et le mot "DANGER" ou "AVERTISSEMENT". Ces mots signifient :

▲ DANGER

Risque possible de décès ou de blessure grave si vous ne suivez pas immédiatement les instructions.

▲ AVERTISSEMENT

Risque possible de décès ou de blessure grave si vous ne suivez pas les instructions.

Tous les messages de sécurité vous diront quel est le danger potentiel et vous disent comment réduire le risque de blessure et ce qui peut se produire en cas de non-respect des instructions.

IMPORTANTES INSTRUCTIONS DE SÉCURITÉ

AVERTISSEMENT : Pour réduire les risques d'incendie, de choc électrique ou de blessures lors de l'utilisation de la laveuse, suivre les précautions fondamentales dont les suivantes :

- Lire toutes les instructions avant d'utiliser la laveuse.
- Ne pas laver des articles qui ont été nettoyés ou lavés avec de l'essence ou imbibés d'essence, solvants de nettoyage à sec, ou autres substances inflammables ou explosives; ces substances peuvent émettre des vapeurs susceptibles de s'enflammer ou d'exploser.
- Ne pas ajouter d'essence, solvant de nettoyage à sec ou autre produit inflammable ou explosif dans l'eau de lavage. Ces substances peuvent émettre des vapeurs susceptibles de s'enflammer ou d'exploser.
- Dans certaines conditions, de l'hydrogène gazeux peut se former dans un circuit d'eau chaude qui n'a pas été utilisé pendant 2 semaines ou plus. **LE GAZ HYDROGÈNE EST EXPLOSIBLE.** Si le circuit d'eau chaude n'a pas été utilisé pendant une telle période, avant d'utiliser la laveuse, ouvrir tous les robinets d'eau chaude et laisser l'eau s'écouler pendant plusieurs minutes par chaque robinet. Ceci permettra l'évacuation de l'hydrogène gazeux accumulé. Comme ce gaz est inflammable, ne pas fumer ou utiliser une flamme nue au cours de cette période.
- Ne pas laisser des enfants jouer sur ou à l'intérieur de la laveuse. Bien surveiller les enfants lorsque la laveuse est utilisée à proximité d'enfants.
- Avant de mettre la laveuse au rebut ou hors de service, enlever la porte ou le couvercle.
- Ne pas tenter d'atteindre un article à l'intérieur de la cuve de la laveuse lorsque le tambour, la cuve ou l'agitateur est en mouvement.
- Ne pas installer ou remiser cette laveuse à un endroit où elle serait exposée aux intempéries.
- Ne pas modifier les organes de commande.
- Ne pas réparer ou remplacer un composant quelconque de la laveuse, ni entreprendre une opération de service, si ce n'est spécifiquement recommandé dans ce manuel ou dans un manuel d'instructions de réparations destiné à l'utilisateur; il est alors essentiel que la personne concernée comprenne ces instructions et soit compétente pour les exécuter.
- Voir "Spécifications électriques" pour les instructions de liaison à la terre.

CONSERVEZ CES INSTRUCTIONS

UTILISATION DE LA LAVEUSE

Mise en marche de la laveuse

⚠ AVERTISSEMENT



Risque d'incendie

Ne jamais mettre des articles humectés d'essence ou d'autres fluides inflammables dans la laveuse.

Aucune laveuse ne peut complètement enlever l'huile.

Ne pas faire sécher des articles qui ont été salis par tout genre d'huile (y compris les huiles de cuisson).

Le non-respect de ces instructions peut causer un décès, une explosion ou un incendie.

⚠ AVERTISSEMENT



Risque de choc électrique

Brancher sur une prise à 3 alvéoles reliée à la terre.

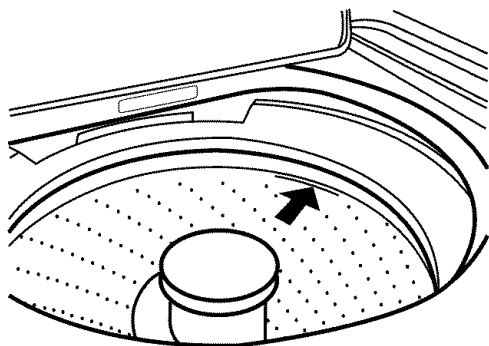
Ne pas enlever la broche de liaison à la terre.

Ne pas utiliser un adaptateur.

Ne pas utiliser un câble de rallonge.

Le non-respect de ces instructions peut causer un décès, un incendie ou un choc électrique.

1. Mesurer le détergent et le verser dans la laveuse. Si désiré, ajouter de la Javel sans danger pour les couleurs, en poudre ou liquide.
2. Mettre une charge de vêtements triés dans la laveuse sans la tasser.
 - Charger uniformément pour maintenir l'équilibre de la laveuse. Mélanger les gros et les petits articles. Les articles doivent pouvoir se déplacer facilement dans l'eau de lavage.
 - Charger uniquement jusqu'en haut du panier – voir l'illustration. Une surcharge peut causer un piètre nettoyage.



3. (Facultatif) Ajouter l'eau de Javel.
 - Laisser la laveuse se remplir et commencer l'agitation de la charge.
 - Ajouter l'eau de Javel 5 minutes après le début du programme de lavage pour un meilleur nettoyage et de telle sorte qu'elle soit vidangée lors du programme de rinçage. Verser l'eau de Javel autour de l'agitateur et non pas directement sur la charge, pour éviter d'endommager les vêtements et autres articles contenus dans la charge.

REMARQUE : Suivre les instructions du fabricant des vêtements et de l'eau de Javel pour une utilisation correcte. L'eau de Javel non diluée endommagera tout tissu avec lequel elle entre en contact. L'endommagement prend la forme de déchirures, trous ou affadissement de la couleur et il est possible qu'il n'apparaisse pas avant plusieurs autres lavages. Pour éviter les renversements, utiliser une tasse avec un bec verseur. Ne pas laisser l'eau de Javel éclabousser, se renverser ou couler dans le panier de la laveuse. Toujours mesurer l'eau de Javel. Ne pas utiliser une quantité approximative. Ne pas utiliser plus que la quantité recommandée par le fabricant pour une charge complète. Réduire la quantité pour une plus petite charge.

4. (Facultatif) Ajouter l'assouplissant liquide pour tissu.
 - Ajouter l'assouplissant de tissu dilué avec ½ à 1 tasse (125 à 250 mL) d'eau tiède au rinçage final seulement.

REMARQUE : Ne pas renverser ou dégoutter d'assouplissant de tissu sur les vêtements. Un assouplissant de tissu non dilué peut causer des taches sur les tissus. Toujours diluer l'assouplissant de tissu avec de l'eau tiède. Une trop grande quantité d'assouplissant de tissu peut rendre certains articles (couches et serviettes) non absorbants. Le cas échéant, ne pas l'utiliser à chaque charge ou en utiliser moins avec chaque charge.

5. Rabattre le couvercle de la laveuse.
6. Régler le sélecteur de TEMPÉRATURE au réglage approprié pour le type de tissu et le niveau de saleté de la charge. Utiliser l'eau la plus chaude sans danger pour le tissu. Suivre les instructions sur l'étiquette des vêtements.

Temp. de l'eau	Utilisation
Warm (Tiède)	Saleté intense Couleurs vives Blancs et couleurs claires Saletés de modérées à légères
Cold (Froide)	Couleurs qui déteignent ou s'atténuent Saletés légères

REMARQUE : Dans les températures d'eau de lavage plus froides que 60°F (15,6°C), les détergents ne se diluent pas bien. Les saletés peuvent être difficiles à enlever. Certains tissus peuvent retenir les faux plis et comporter un boulochage accru (formation de petites boules de charpie sur la surface des vêtements).

- Appuyer sur le bouton de commande de programme et le tourner dans le sens horaire au programme que vous désirez. Tirer sur le bouton de commande de programme pour mettre la laveuse en marche.



Arrêt et remise en marche de la laveuse :

- Pour arrêter la laveuse à tout moment, appuyer sur le bouton de commande de programme.
- Pour remettre la laveuse en marche, rabattre le couvercle (si ouvert) et tirer sur le bouton de commande de programme.

ENTRETIEN DE LA LAVEUSE

Nettoyage de la laveuse

Utiliser un linge doux, humide ou une éponge pour essuyer les renversements de détergents ou d'eau de Javel à l'extérieur de votre laveuse.

Nettoyer l'intérieur de votre laveuse en mélangeant 1 tasse (250 mL) d'eau de Javel et 2 tasses (500 mL) de détergent. Verser ceci dans votre laveuse et lui faire faire un programme complet à l'eau chaude. Répéter ce processus au besoin.

Enlever tous les résidus d'eau dure en utilisant seulement des nettoyeurs sans danger pour la laveuse.

Tuyaux d'arrivée d'eau

Remplacer les tuyaux d'arrivée d'eau après 5 ans d'utilisation pour réduire le risque de défaillance intempestive. Inspecter périodiquement les tuyaux; les remplacer en cas de renflement, de déformation, de coupure et d'usure ou si une fuite se manifeste.

Lors du remplacement des tuyaux d'arrivée d'eau, noter la date de remplacement sur le tuyau avec un marqueur permanent ou dans la section d'enregistrement du produit de ce manuel.

Préparation avant un entreposage ou un déménagement

L'eau qui peut rester dans les tuyaux risque d'abîmer votre laveuse en temps de gel. Si vous rangez ou déplacez votre laveuse quand il gèle, préparez-la pour l'hiver.

Préparation de votre laveuse pour l'hiver

1. Fermer les deux robinets d'eau. Débrancher et vidanger les tuyaux d'arrivée d'eau. Mettre 1 pinte (1 L) d'antigel pour automobiles dans le panier.
2. Faire tourner la laveuse au réglage vidange et essorage pendant 30 secondes environ pour mélanger l'antigel à l'eau.
3. Débrancher la laveuse ou déconnecter la source de courant électrique.

Remise en marche de la laveuse

1. Vidanger les canalisations d'eau et les tuyaux. Reconnecter les tuyaux d'arrivée d'eau. Ouvrir les deux robinets d'eau.

⚠ AVERTISSEMENT



Risque de choc électrique

Brancher sur une prise à 3 alvéoles reliée à la terre.

Ne pas enlever la broche de liaison à la terre.

Ne pas utiliser un adaptateur.

Ne pas utiliser un câble de rallonge.

Le non-respect de ces instructions peut causer un décès, un incendie ou un choc électrique.

2. Brancher la laveuse ou reconnecter la source de courant électrique.
3. Faire faire un programme complet à la laveuse avec 1 tasse (250 mL) de détergent pour enlever les restes d'antigel.

Entretien en cas d'entreposage, de non-utilisation ou en période de vacances

On ne doit faire fonctionner la laveuse que lorsqu'on est présent. Si l'utilisateur doit partir en vacances ou n'utilise pas la laveuse pendant une période prolongée, il convient d'exécuter les opérations suivantes :

1. Débrancher la laveuse ou déconnecter la source de courant électrique.
2. Fermer l'alimentation d'eau de la laveuse. Ceci aide à éviter les inondations accidentelles (dus à une augmentation de la pression) quand vous êtes absent.

GUIDE D'ÉLIMINATION DES TACHES



Déodorants

Appliquer un détachant de pré lavage pour saletés et taches. Laisser agir pendant 5 à 10 minutes. Laver à l'eau la plus chaude possible sans danger pour les tissus.



Boue

Brosser pour enlever la boue sèche. Rincer sous l'eau froide. Effectuer un prétraitement avec une pâte à base de détergent et d'eau. Laver avec un détergent et un agent de blanchiment sans danger pour le tissu.



Sang

Rincer immédiatement ou faire tremper dans l'eau froide avec du détergent pendant 30 minutes. Rincer. Frotter du détergent sur les taches résiduelles. Rincer à fond. Laver.



Anneau autour du col

Effectuer un prétraitement avec du détergent de lessive liquide puissant ou faire tremper le vêtement dans de l'eau tiède avec un détergent de lessive granulaire.



Crème, lait, crème glacée

Éponger immédiatement ou appliquer un détachant de pré lavage pour saletés et taches. Rincer. Laver. Répéter si nécessaire. Si la tache ne part pas, appliquer quelques gouttes de détergent liquide. Rincer. Si la tache persiste, faire tremper. Laver.



Chocolat/café

Rincer immédiatement dans l'eau froide. Faire tremper ou pré laver dans l'eau tiède avec un détergent contenant des enzymes. Laver. Les taches tenaces peuvent nécessiter l'utilisation d'un agent de blanchiment sans danger pour le tissu.



Raisin, vin

Faire tremper immédiatement dans l'eau fraîche. Laver. Si la tache persiste, recouvrir la zone d'une pâte à base d'agent de blanchiment sans danger pour les couleurs et de quelques gouttes d'eau chaude. Attendre 15 à 20 minutes. Laver.



Produits de beauté

Humecter la tache et la frotter avec du savon en barre. Rincer. Effectuer un prétraitement avec du détergent de lessive (liquide ou pâte à base de détergent granulaire et d'eau). Laver.



Herbe

Utiliser un pré trempage avec un enzyme ou frotter le détergent avec enzyme sur la tache. Laver avec un détergent et un agent de blanchiment convenant au tissu.



Huile de moteur usagée

Effectuer un prétraitement avec du détergent de lessive liquide ou une pâte à base de détergent granulaire et d'eau. Laver.



Ketchup, produits à base de tomate

Éponger immédiatement ou appliquer un détachant de pré lavage pour saletés et taches. Rincer. Laver. Si la tache persiste, appliquer un détergent liquide sur la tache ou faire tremper dans l'eau tiède avec du détergent. Laver à nouveau.

■ Ne pas faire culbuter des articles secs sales ou tachés. La chaleur risque de fixer les taches de façon permanente.

DÉPANNAGE

Essayer d'abord les solutions suggérées ici, ce qui vous évitera peut-être le coût d'une visite de service...

La laveuse et ses composants

Bruit, vibrations, déséquilibre

- **Avez-vous complètement retiré la sangle d'expédition jaune avec les goupilles à l'arrière de la laveuse?** Voir "Instructions d'installation."
- **Le plancher est-il souple, affaissé ou pas d'aplomb?** Un plancher souple ou qui n'est pas d'aplomb peut provoquer bruit et vibrations de la part de la laveuse. Un morceau de contreplaqué de ¾" (1,9 cm) sous la laveuse réduira les sons. Voir "Instructions d'installation."
- **La laveuse est-elle d'aplomb?** La laveuse doit être d'aplomb. Voir "Instructions d'installation."
- **Les pieds de nivellement avant sont-ils installés?** Les pieds de nivellement avant doivent être correctement installés et les écrous serrés. Régler à nouveau les pieds de nivellement arrière. Les quatre pieds de nivellement doivent être bien en contact avec le plancher. Voir "Instructions d'installation."
- **La charge est-elle équilibrée?** Répartir uniformément la charge dans le panier de la laveuse et veiller à ce que la hauteur de la charge n'excède pas la rangée de trous supérieure du panier.
- **Les mécanismes s'enclenchent-ils après la vidange et avant l'essorage, ou la partie supérieure de l'agitateur fait-elle du bruit pendant le lavage?** Ce sont des bruits normaux pour la laveuse.
- **La laveuse fait-elle un bruit de gargouillement ou de bourdonnement?** Au moment de la vidange, la pompe émet un bourdonnement continu avec des sons réguliers de gargouillement et de déferlement à mesure que les dernières quantités d'eau sont évacuées. Ceci est normal.
- **Le panier de la laveuse se déplace pendant le lavage.** Ceci est normal.

Fuites d'eau

- **Les tuyaux de remplissage sont-ils serrés?**
- **Les joints de tuyaux de remplissage d'eau sont-ils correctement installés?** Vérifier les deux extrémités de chaque tuyau. Voir "Raccordement des tuyaux d'alimentation" dans les Instructions d'installation.
- **Le tuyau de vidange est-il correctement installé?** Le tuyau de vidange doit être bien fixé au conduit d'évacuation ou à l'évier de buanderie. Voir "Immobilisation du tuyau de vidange" dans les Instructions d'installation.
- **L'évier ou le conduit d'évacuation est-il obstrué?** L'évier et le conduit d'évacuation doivent pouvoir drainer 17 gallons (64 L) d'eau par minute. Si le débit d'eau est obstrué ou ralenti, l'eau peut refouler du conduit d'évacuation ou de l'évier. Vérifier la plomberie du domicile (évier de buanderie, robinets, conduit d'évacuation, conduites d'eau) pour voir s'il y a des fuites.
- **L'eau éclabousse-t-elle hors du cadre de la cuve?** Centrer la cuve avant de mettre la laveuse en marche.

- **L'eau éclabousse-t-elle hors de la charge?** Répartir uniformément la charge dans le panier de la laveuse et veiller à ce que la hauteur de la charge n'excède pas la rangée de trous supérieure du panier. De l'eau de remplissage ou de rinçage peut éclabousser hors de la charge.
- **La laveuse est-elle correctement installée?** La laveuse doit être d'aplomb. Les pieds de nivellement avant doivent être correctement installés et les écrous serrés. Régler à nouveau les pieds de nivellement arrière. Voir "Réglage de l'aplomb de la laveuse" dans les Instructions d'installation.

Fonctionnement du distributeur

- **Avez-vous suivi les directives du fabricant pour l'addition de détergent et d'assouplissant dans les distributeurs (sur certains modèles)?** Mesurer la quantité de détergent et d'assouplissant. Verser lentement dans les distributeurs. Essuyer tout renversement. Diluer l'assouplissant dans le distributeur d'assouplissant.
- **Avez-vous mis de la Javel en poudre ou liquide sans danger pour les couleurs dans le distributeur d'agent de blanchiment au chlore liquide (sur certains modèles)?** Ajouter de la Javel en poudre ou liquide sans danger pour les couleurs directement dans le panier de la laveuse. Ne pas utiliser le distributeur d'agent de blanchiment au chlore pour la Javel sans danger pour les couleurs.
- **Le distributeur d'assouplissant de tissu est-il obstrué?** Nettoyer le distributeur d'assouplissant de tissu. Voir "Entretien de la laveuse" pour les détails.

Fonctionnement de la laveuse

⚠ AVERTISSEMENT



Risque de choc électrique

- Brancher sur une prise à 3 alvéoles reliée à la terre.
- Ne pas enlever la broche de liaison à la terre.
- Ne pas utiliser un adaptateur.
- Ne pas utiliser un câble de rallonge.
- Le non-respect de ces instructions peut causer un décès, un incendie ou un choc électrique.

La laveuse ne fonctionne pas, ne se remplit pas, ne rince pas, l'agitateur ne tourne pas; la laveuse s'arrête

- **Le cordon d'alimentation est-il branché dans une prise à 3 alvéoles reliée à la terre?** Brancher le cordon d'alimentation dans une prise à 3 alvéoles reliée à la terre.
- **Utilisez-vous une rallonge?** Ne pas utiliser de rallonge.

- **L'indicateur sur le bouton de commande de programme est-il correctement aligné avec un programme?** Tourner le bouton de commande de programme légèrement vers la droite et le tirer pour mettre en marche.
- **Les tamis de la valve d'arrivée d'eau sont-ils obstrués?** Couper l'arrivée d'eau et retirer les tuyaux d'arrivée d'eau de la laveuse. Ôter toute pellicule ou particules accumulées. Réinstaller les tuyaux, ouvrir l'arrivée d'eau et vérifier s'il y a des fuites.
- **Les deux robinets d'eau (chaude et froide) sont-ils ouverts?** Ouvrir les robinets d'eau.
- **Le tuyau d'arrivée d'eau est-il déformé?** Redresser les tuyaux.
- **Le niveau d'eau semble-t-il trop bas, ou la laveuse ne se remplit-elle pas complètement?** Le sommet de l'agitateur est beaucoup plus haut que le niveau d'eau le plus élevé. Ceci est normal et nécessaire au libre mouvement des vêtements.
- **Un fusible est-il grillé ou le disjoncteur s'est-il déclenché?** Remplacer le fusible ou réenclencher le disjoncteur. Si le problème persiste, appeler un électricien.
- **La laveuse est-elle en pause normale du programme?** La laveuse fait une pause d'environ 2 minutes dans certains programmes. Laisser le programme se poursuivre. Certains programmes comprennent des périodes d'agitation et de trempage.
- **La laveuse est-elle surchargée?** Laver des charges plus petites.
- **Le couvercle est-il ouvert?** Le couvercle doit être fermé lorsque la laveuse est en marche. Il n'y aura pas d'agitation ni d'essorage si le couvercle est ouvert.

La laveuse continue de se remplir ou la vidange se poursuit, le programme semble bloqué

- **Le dessus du tuyau de vidange est-il plus bas que les boutons de commande sur la laveuse?** Le dessus du tuyau de vidange doit être au moins à 39" (99 cm) au-dessus du plancher. Voir "Système de vidange" dans les Instructions d'installation.
- **Le tuyau de vidange est-il trop serré dans le conduit d'évacuation, ou est-il fixé au conduit d'évacuation avec du ruban adhésif?** Le tuyau de vidange doit être lâche mais bien fixé. Ne pas sceller le tuyau de vidange avec du ruban adhésif. Le tuyau a besoin d'une ouverture pour l'air. Voir "Immobilisation du tuyau de vidange" dans les Instructions d'installation.

La laveuse n'effectue pas de vidange ni d'essorage, l'eau reste dans la laveuse

- **Le tuyau de vidange est-il obstrué ou l'extrémité du tuyau de vidange se trouve-t-elle à plus de 96" (244 cm) au-dessus du plancher?** Voir "Système de vidange" dans les Instructions d'installation.
- **Le couvercle est-il ouvert?** Le couvercle doit être fermé lorsque la laveuse est en marche. Il n'y aura pas d'agitation ni d'essorage si le couvercle est ouvert.
- **Y a-t-il un excès de mousse?** Toujours mesurer la quantité de détergent. Suivre les directives du fabricant. Si l'eau est très douce, on peut utiliser moins de détergent.

Température de lavage/rinçage

- **Les robinets d'arrivée d'eau chaude et froide ont-ils été inversés?** Voir "Raccordement des tuyaux d'alimentation" dans les Instructions d'installation.
- **Lavez-vous un nombre important de charges?** Lorsque votre fréquence de charges lavées augmente, la température de l'eau peut baisser lorsqu'on choisit une température chaude ou tiède. Ceci est normal.
- **Avez-vous choisi un réglage de température Tiède/Tiède?** Sur les modèles sans COMMANDE AUTOMATIQUE DE LA TEMPÉRATURE (CAT) qui ont un réglage de la température Tiède/Tiède, le lavage à l'eau tiède sera suivi d'un rinçage à froid éconergique et de rinçages par vaporisations tièdes. Cela permet d'économiser de l'énergie tout en fournissant la même performance de rinçage.
- **Possédez-vous une laveuse ENERGY STAR?** Les températures de l'eau de lavage peuvent sembler plus froides que celles de votre laveuse précédente. Ceci est normal.

Soin des vêtements

Charge trop mouillée

- **Avez-vous utilisé le bon programme pour la charge à laver?** Choisir un programme avec une vitesse d'essorage plus élevée (si disponible).
- **Avez-vous lavé une très grosse charge?** Une grosse charge déséquilibrée peut entraîner une réduction de la vitesse d'essorage et mouiller les vêtements à la fin du programme. Répartir uniformément la charge et veiller à ce que la hauteur de la charge n'excède pas la rangée de trous supérieure du panier.

Résidus ou charpie sur le linge

- **Avez-vous effectué le tri correctement?** Trier les articles causant la charpie (serviettes, chenille) des articles qui retiennent la charpie (velours côtelé, synthétiques). Trier également en fonction des couleurs.
- **Avez-vous surchargé la laveuse?** La charge de lavage doit être équilibrée et pas surchargée. Les charges doivent pouvoir culbuter librement. De la charpie ou du détergent en poudre peuvent être coincés dans la charge s'il y a surcharge. Laver des charges plus petites.
- **Avez-vous sélectionné le bon niveau d'eau?** Le niveau d'eau doit être approprié à la taille de la charge. La charge doit être recouverte d'eau.
- **Avez-vous utilisé suffisamment de détergent?** Suivre les directives du fabricant. Utiliser suffisamment de détergent pour maintenir la charpie dans l'eau.
- **Avez-vous fait sécher vos vêtements sur un fil à linge?** Si c'est le cas, attendez-vous à trouver de la charpie sur les vêtements. Le mouvement de l'air et le culbutage d'une sècheuse suppriment la charpie de la charge.
- **A-t-on laissé du papier ou des mouchoirs en papier dans les poches?**
- **La température de l'eau est-elle inférieure à 60°F (15,6°C)?** Une eau de lavage plus froide que 60°F (15,6°C) peut ne pas dissoudre complètement le détergent.
- **Avez-vous utilisé la durée de programme et la vitesse d'agitation appropriées pour la charge?** La diminution de la durée de lavage et de la vitesse d'agitation sont un autre moyen de réduire la charpie.

La charge est froissée, entortillée ou enchevêtrée

- **Avez-vous déchargé la laveuse immédiatement?**
Décharger la laveuse dès qu'elle s'arrête.
- **Avez-vous utilisé le bon programme pour la charge à laver?** Utiliser des programmes comportant des durées de lavage courtes et des vitesses basses pour le lavage et l'essorage (si disponibles) pour réduire le froissement, l'entortillement et l'enchevêtrement.
- **Avez-vous surchargé la laveuse?** La charge de lavage doit être équilibrée et pas surchargée. Les charges doivent pouvoir se déplacer librement durant le lavage pour réduire le froissement, l'entortillement et l'enchevêtrement.
- **L'eau de lavage était-elle suffisamment chaude pour réduire le froissement?** Si c'est sans danger pour la charge, utiliser une eau de lavage tiède ou chaude. Utiliser une eau de rinçage froide.
- **Les robinets d'eau chaude et froide ont-ils été inversés?** Vérifier que les tuyaux d'eau chaude et d'eau froide sont connectés aux bons robinets. Un rinçage à l'eau chaude suivi d'un essorage provoquera un froissement. Voir "Raccordement des tuyaux d'alimentation" dans les Instructions d'installation.
- **Avez-vous enroulé des articles autour de l'agitateur?** Déposer les articles dans la laveuse sans les comprimer. Ne pas enrouler d'articles autour de l'agitateur.

Taches, blancs grisâtres, couleurs défraîchies

- **Avez-vous bien trié la charge?** Le transfert de teinture peut se produire lors du mélange d'articles blancs et de couleur dans une même charge. Séparer les articles de teinte foncée des articles blancs ou clairs.
- **La température de lavage était-elle trop basse?** Utiliser les lavages à l'eau tiède ou chaude si celles-ci sont sans danger pour la charge. S'assurer que le système d'eau chaude est adéquat pour fournir un lavage à l'eau chaude.
- **Avez-vous utilisé suffisamment de détergent, ou avez-vous une eau dure?** Utiliser plus de détergent pour laver la saleté intense à l'eau froide ou dure.

- **Les robinets d'eau chaude et froide ont-ils été inversés?** Vérifier que les tuyaux d'eau chaude et d'eau froide sont connectés aux bons robinets. Voir "Raccordement des tuyaux d'alimentation" dans les Instructions d'installation.
- **Avez-vous suivi les directives du fabricant pour l'addition de détergent et d'assouplissant?** Mesurer la quantité de détergent et d'assouplissant. Utiliser suffisamment de détergent pour enlever la saleté et la maintenir en suspension. Diluer l'assouplissant et l'ajouter seulement à la section de rinçage d'un programme. Ne pas laisser couler d'assouplissant sur les vêtements.
- **La présence de fer (rouille) dans l'eau est-elle supérieure à la moyenne?** Vous aurez peut-être besoin d'installer un filtre à fer.

Endommagement des vêtements

- **Les articles pointus ont-ils été retirés des poches avant le lavage?** Vider les poches, fermer les fermetures à glissière, les boutons pression et les agrafes avant le lavage pour éviter d'accrocher et de déchirer la charge.
- **Les cordons et les ceintures ont-ils été attachés pour empêcher l'enchevêtrement?** Les bretelles et les cordons peuvent facilement s'emmêler dans la charge, ce qui cause une déformation des coutures et des déchirements.
- **Les articles étaient-ils endommagés avant le lavage?** Raccorder les déchirures et reprendre les fils cassés des coutures avant le lavage.
- **Avez-vous surchargé la laveuse?** La charge de lavage doit être équilibrée et pas surchargée. Les charges doivent pouvoir culbuter librement durant le lavage.
- **Avez-vous correctement ajouté l'eau de Javel?** Ne pas verser l'eau de Javel directement sur la charge. Essuyer tous les renversements de Javel. De l'eau de Javel non diluée endommagera les tissus. Ne pas placer des articles de la charge sur le dessus du distributeur d'eau de Javel lorsque vous chargez et déchargez la laveuse (sur certains modèles). Ne pas utiliser plus que la quantité recommandée par le fabricant pour une charge complète.
- **Avez-vous suivi les instructions d'entretien du fabricant indiquées sur l'étiquette?**

CONTRATS DE PROTECTION

Aux États-Unis

Contrats principaux de protection

Nous vous félicitons d'avoir fait un achat judicieux. Votre nouvel appareil Galaxy™ est conçu et fabriqué pour vous procurer des années de fonctionnement fiable. Mais comme pour tous les produits, il pourra à l'occasion nécessiter un entretien préventif ou une réparation. Le cas échéant, un Contrat principal de protection peut vous épargner de l'argent et des soucis.

Achetez dès maintenant un Contrat principal de protection et protégez-vous contre les dépenses et ennuis inattendus.

Le Contrat principal de protection contribue aussi à prolonger la vie utile de votre nouvel appareil ménager. Voici ce qui est inclus dans le contrat :

- ✓ **Service expert** par nos 12 000 réparateurs professionnels
- ✓ **Service illimité et sans frais** pour les pièces et la main-d'œuvre pour toutes les réparations couvertes

- ✓ **Garantie "Anti-citron"** - remplacement de votre produit couvert si quatre panes ou plus se produisent en deçà de douze mois
- ✓ **Remplacement du produit** si votre produit couvert ne peut être réparé
- ✓ **Vérification annuelle d'entretien préventif** sur demande - sans frais supplémentaires
- ✓ **Aide rapide au téléphone** - assistance téléphonique fournie par un technicien de Sears pour les produits réparables à domicile, plus un horaire de réparation commode
- ✓ **Protection contre les sautes de puissance** pour prévenir les dommages attribuables aux fluctuations de courant
- ✓ **Remboursement de location** si la réparation prend plus de temps que promis

Dès que vous achetez le Contrat, il suffit d'un appel téléphonique pour obtenir un rendez-vous de service. Vous pouvez appeler en tout temps jour et nuit ou prendre un rendez-vous de service en direct.

Sears compte plus de 12 000 réparateurs professionnels qui ont accès à plus de 4,5 millions de pièces et accessoires de qualité. C'est le genre de professionnalisme sur lequel vous pouvez compter pour aider à prolonger la vie de votre nouvel achat pendant des années. Achetez votre Contrat principal de protection aujourd'hui même!

Certaines limitations et exclusions s'appliquent. Pour des prix et renseignements supplémentaires, composer le **1-800-827-6655**.

Service d'installation Sears

Pour l'installation professionnelle par Sears d'appareils ménagers, d'ouvre-portes de garage, de chauffe-eau et d'autres articles importants de la maison, aux É.-U. composer le **1-800-4-MY-HOME®**.

Au Canada

Contrats d'entretien

Votre achat a plus de valeur parce que vous pouvez compter sur Sears HomeCentral® pour le service. Avec plus de 2400 spécialistes formés et l'accès à plus de 900 000 pièces et accessoires, nous avons les outils et les pièces ainsi que les connaissances et compétences pour remplir cette promesse que nous vous faisons : Nous assurons le service de nos produits.

Votre appareil Galaxy™ est conçu, fabriqué et vérifié pour qu'il puisse vous fournir de nombreuses années de service en toute confiance. Cependant, tout appareil ménager peut nécessiter des interventions de service de temps à autre. Le contrat d'entretien Sears vous offre un programme de service remarquable à un prix abordable.

Le contrat d'entretien Sears

- Garantit les prix d'aujourd'hui pour les services que vous utiliserez plus tard.
- Élimine les factures pour les réparations imputables à l'usage normale.
- Couvre les appels de service pour une aide non technique et pratique.
- Comprend une inspection annuelle d'entretien préventif (sur votre demande) pour maintenir votre appareil en bon état de fonctionnement.

Certaines limitations s'appliquent. Pour des renseignements concernant les contrats d'entretien de Sears Home Central®, composer le 1-800-361-6665.

GARANTIE DE LA LAVEUSE AUTOMATIQUE GALAXY™

Garantie de 90 jours sur les pièces mécaniques et électriques

Pendant quatre-vingt dix jours à partir de la date d'achat, lorsque la laveuse est installée et utilisée conformément aux instructions jointes à ou fournies avec le produit, Sears réparera ou remplacera toute pièce mécanique ou électrique de cette laveuse, en cas de vice de matériau ou de fabrication.

Garantie limitée de 2 ans sur les pièces de la boîte d'engrenages*

Après quatre-vingt dix jours et jusqu'à deux ans à partir de la date d'achat, Sears fournira les pièces de remplacement pour réparer toute pièce défectueuse de la boîte d'engrenages. La main-d'œuvre vous sera facturée.

Garantie limitée de 5 ans sur la cuve en plastique*

Après quatre-vingt dix jours et jusqu'à cinq ans à partir de la date d'achat, Sears fournira une cuve en plastique de remplacement en cas de vice de matériau ou de fabrication. La main-d'œuvre vous sera facturée.

Restriction des garanties

Si cette laveuse fonctionne à toute autre fin que l'utilisation familiale privée, toute couverture de garantie est restreinte à 90 jours à partir de la date d'achat.

Service sous garantie

Le service de garantie est disponible en communiquant avec Sears au **1-800-4-MY-HOME®**. Cette garantie s'applique seulement lorsque le produit est utilisé aux États-Unis ou au Canada.

Cette garantie vous confère des droits juridiques spécifiques et vous pouvez également jouir d'autres droits qui peuvent varier d'un État à l'autre ou d'une province à l'autre.

Pour des renseignements sur la garantie Sears ou pour contacter un centre de service Sears, veuillez consulter les numéros de service mentionnés sur la couverture arrière de ce manuel.

Sears, Roebuck and Co.
D/817WA, Hoffman Estates, IL 60179
Sears Canada Inc.
Toronto, Ontario, Canada M5B 2B8

*Au Canada, une garantie différente peut s'appliquer.

Get it fixed, at your home or ours!

Your Home

For repair—in your home—of all major brand appliances, lawn and garden equipment, or heating and cooling systems, **no matter who made it, no matter who sold it!**

For the replacement parts, accessories and owner's manuals that you need to do-it-yourself.

For Sears professional installation of home appliances and items like garage door openers and water heaters.

1-800-4-MY-HOME® (1-800-469-4663)

Call anytime, day or night (U.S.A. and Canada)

www.sears.com www.sears.ca

Our Home

For repair of carry-in items like vacuums, lawn equipment, and electronics, call or go on-line for the location of your nearest **Sears Parts & Repair Center.**

1-800-488-1222

Call anytime, day or night (U.S.A. only)

www.sears.com

To purchase a protection agreement (U.S.A.) or maintenance agreement (Canada) on a product serviced by Sears:

1-800-827-6655 (U.S.A.)

1-800-361-6665 (Canada)

Para pedir servicio de reparación a domicilio, y para ordenar piezas:

1-888-SU-HOGARSM

(1-888-784-6427)

Au Canada pour service en français:

1-800-LE-FOYER^{MC}

(1-800-533-6937)

www.sears.ca



® Registered Trademark / TM Trademark / SM Service Mark of Sears, Roebuck and Co., used under licensee by Sears Canada.

© Marca Registrada / TM Marca de comercio / SM Marca de Servicio de Sears, Roebuck and Co., usada bajo licencia de Sears Canada.

® Marque déposée / TM Marque de commerce / SM Marque de service de Sears, Roebuck and Co., en vertu d'un porteur de licence par Sears Canada.