

INSTALLER: LEAVE THESE INSTRUCTIONS WITH THE APPLIANCE

INSTALLATION MANUAL

Electric 30-inch Wide Free-standing Range

PLEASE KEEP THIS MANUAL FOR FUTURE REFERENCE

THE MANUAL IS INTENDED TO ASSIST IN THE INITIAL INSTALLATION AND ADJUSTMENTS OF THE RANGE.

SPECIAL WARNING

Only qualified personnel should install or service this range.

Read “Safety Instructions” in Use & Care book before using range.

Improper installation, adjustment, alteration, service, maintenance or use of range can result in serious injury or property damage.

CAUTION: This range has been designed in accordance with the requirements of various safety agencies and complies with the maximum allowable wood cabinet temperatures of 194°F. If this range is installed with cabinets that have a lower working temperature than 194°F, discoloration, delamination or melting may occur.

ENGLISH ▶ **PP. 1-6**

ESPAÑOL ▶ **pág. 7-12**

FRANÇAIS ▶ **p. 13-18**

CLEARANCE DIMENSIONS

For complete information in regard to installation of freestanding range, see figures 1 and 2 on page 2. For **SAFETY CONSIDERATIONS** do not install a range in any combustible cabinetry which is not in accord with the installation clearances shown in figure 1.

MOBILE HOMES

The installation of a range designed for mobile home installation must conform with the Manufactured Home Construction and Safety Standard, Title 24 CFR, Part 3280 (formerly the Federal Standard for Mobile Home Construction and Safety, Title 24 HUD, Part 280) or, when such standard is not applicable, the Standard for Manufactured Home Installations 1982 (Manufactured Home Sites, Communities and Set-Ups), ANSI A225.1-latest edition, or with local codes.

LOCATING THE RANGE

Place range in a well lit area. Do not set range over holes in the floor or other locations where it may be subject to strong drafts. Any opening in the wall behind the range and in the floor under the range should be sealed. Make sure the flow of cooling/ventilation air is not obstructed below the range.

Your range may not be equipped with some of the features referred to in this manual.

8101P556-60
(06-03-00)

INSTALLATION DRAWINGS

IMPORTANT
PLEASE KEEP FOR THE USE OF THE
LOCAL ELECTRICAL INSPECTOR.

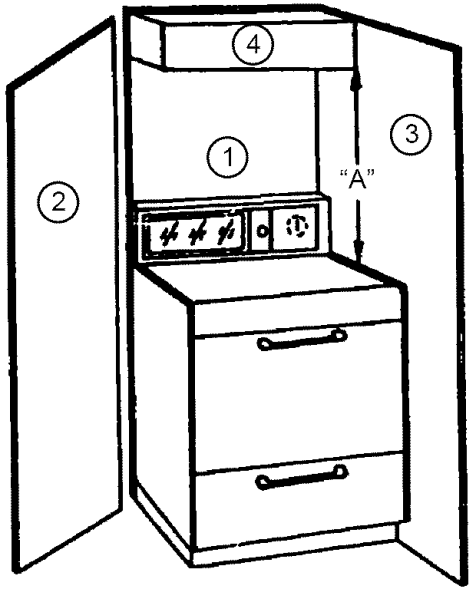


FIGURE 1

NOTE: Figure may not be representative of actual unit.

“A” = 30 inches (76.2 cm) minimum clearance between the top of the cooking surface and the bottom of an unprotected wood or metal cabinet, or “A” = 24 inches (61 cm) minimum when bottom of wood or metal cabinet is protected by not less than 1/4-inch (6.4 mm) thick flame-retardant millboard covered with not less than No. 28 MSG sheet steel, 0.015-inch (0.381 mm) thick stainless steel, 0.024-inch (0.610 mm) thick aluminum, or 0.020-inch (0.508 mm) thick copper.

To eliminate the risk of burns or fire by reaching over heated surface units, cabinet storage space located above the surface units should be avoided. If cabinet storage is to be provided, the risk can be reduced by installing a range hood that projects horizontally a minimum of 5 inches (13 cm) beyond the bottom of the cabinets.

- FIGURE 1
 1, 2, 3 - COMBUSTIBLE BUILDING WALLS.
 4 - COMBUSTIBLE WALL CABINET.

A free-standing range may be installed adjacent to (0" from) combustable walls 1, 2 & 3.

NOTE: FOR INSTALLATION IN CANADA, A FREE-STANDING RANGE IS NOT TO BE INSTALLED CLOSER THAN 12MM FROM ANY ADJACENT SURFACE.

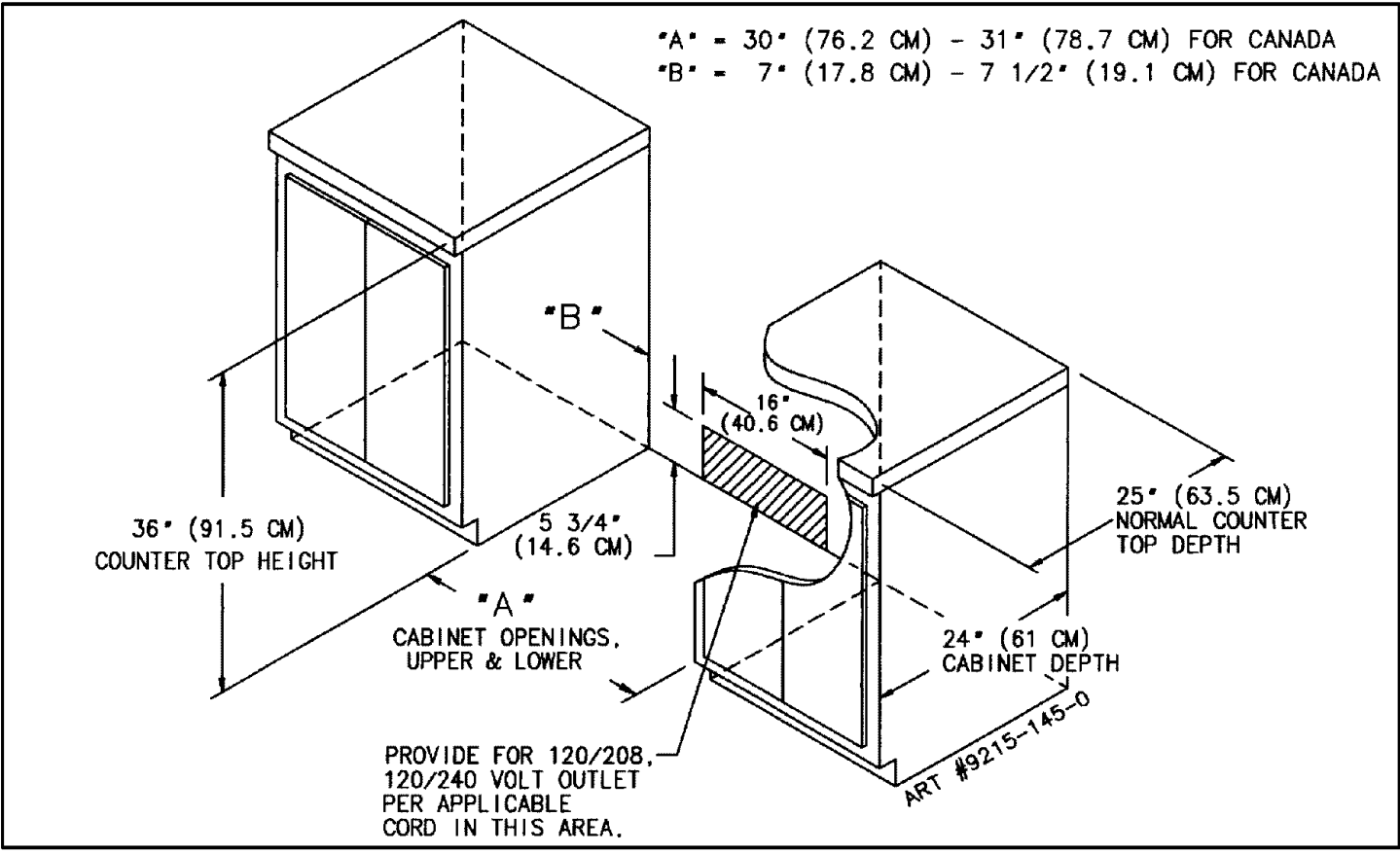


FIGURE 2

ANTI-TIP DEVICE INSTALLATION INSTRUCTIONS

WARNING: A risk of range tip-over exists if the appliance is not installed in accordance with the provided installation instructions. The proper use of this device minimizes the risk of TIP-OVER. In using this device the consumer must still observe the safety precautions as stated in the USE and CARE MANUAL and avoid using the oven door and/or lower drawer as a step stool.

Installation instructions are provided for wood and cement in either floor or wall. Any other type of construction may require special installation techniques as deemed necessary to provide adequate fastening of the ANTI-TIP bracket to the floor or wall. The bracket may be installed to engage the left or right rear leveling foot.

STEP 1 - Locating The Bracket (See Figure 3)

- Determine where either the right or left "EDGE" of the range will be located and mark the floor or wall.
- Place the BRACKET $15/16"$ (24 mm) from the marked "EDGE" toward center of opening and against the back wall, as shown in figure 3, with orientation hole against wall.
- Use the bracket as a template and mark the required holes, as shown in figure 3 for the type of construction you will be using.
- Free-standing range may be secured to either floor or wall.

STEP 2 - Anti-Tip Bracket Installation Options

- Wood Construction:
 - Floor: Locate the center of the two holes identified in figure 3 as "HOLES FOR FLOOR". Drill a $1/8"$ (3 mm) pilot hole in the center of each hole (a nail or awl may be used if a drill is not available). Secure the ANTI-TIP bracket to the floor with the two screws provided. Proceed to Step 3.
 - Wall: Locate the center of the two holes identified in figure 3 as "HOLES FOR WALL". Drill an angled $1/8"$ (3 mm) pilot hole in the center of each hole as shown in figure 4. (A nail or awl may be used if a drill is not available). Secure the ANTI-TIP bracket to the wall with the two screws provided as shown in figure 4. Proceed to STEP 3.
- Cement or Concrete Construction:
 - Suitable screws for concrete construction can be obtained at the hardware store. Drill the required size hole for the hardware obtained into the concrete at the center of the holes identified in figure 3 as "HOLES FOR FLOOR". Secure the ANTI-TIP bracket to the floor. Proceed to STEP 3.

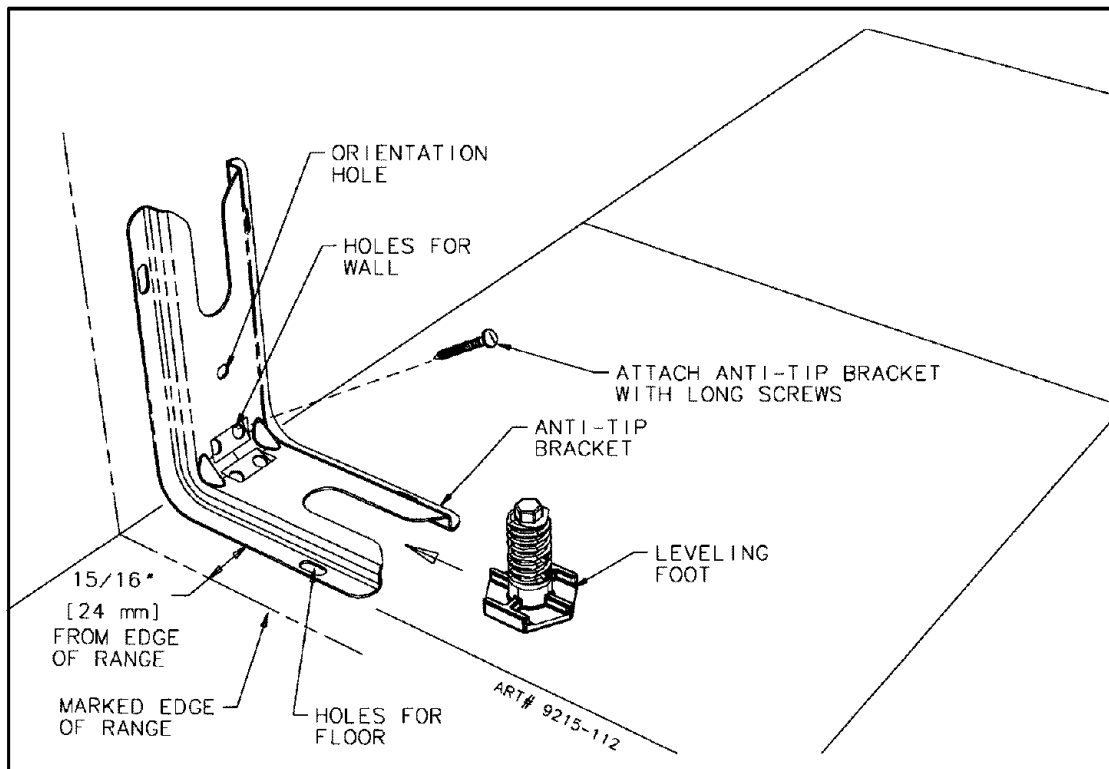


FIGURE 3

ANTI-TIP DEVICE INSTALLATION INSTRUCTIONS

STEP 3 - Range Installation

- A. A free-standing range may be installed by one person.
- B. Align the range to its designated location and slide it back into position. Note: A minimum clearance of 1/4" (6 mm) is required between the range and the leveling foot that will engage the ANTI-TIP bracket, see figure 4.
- CAUTION:** Damage to the range may occur if range is moved or lifted by grasping the main top or backguard.
- C. All freestanding ranges with a glass top have a non lift-up top. Coil tops are lift-up.
- D. For SAFETY CONSIDERATIONS as well as optimum performance adjust the range so that it is level. This may be checked by placing a spirit level or a large pan of water on the cooktop or the oven rack. If an adjustment is required pull the range forward, tip the range and rotate the leveling feet as required.
- E. To check the range for proper installation of the anti-tip bracket: Use a flashlight and look underneath the bottom of the range to see that one of the rear leveling feet is engaged in the bracket slot.
- F. Proceed with the remainder of the installation instructions provided with the range.

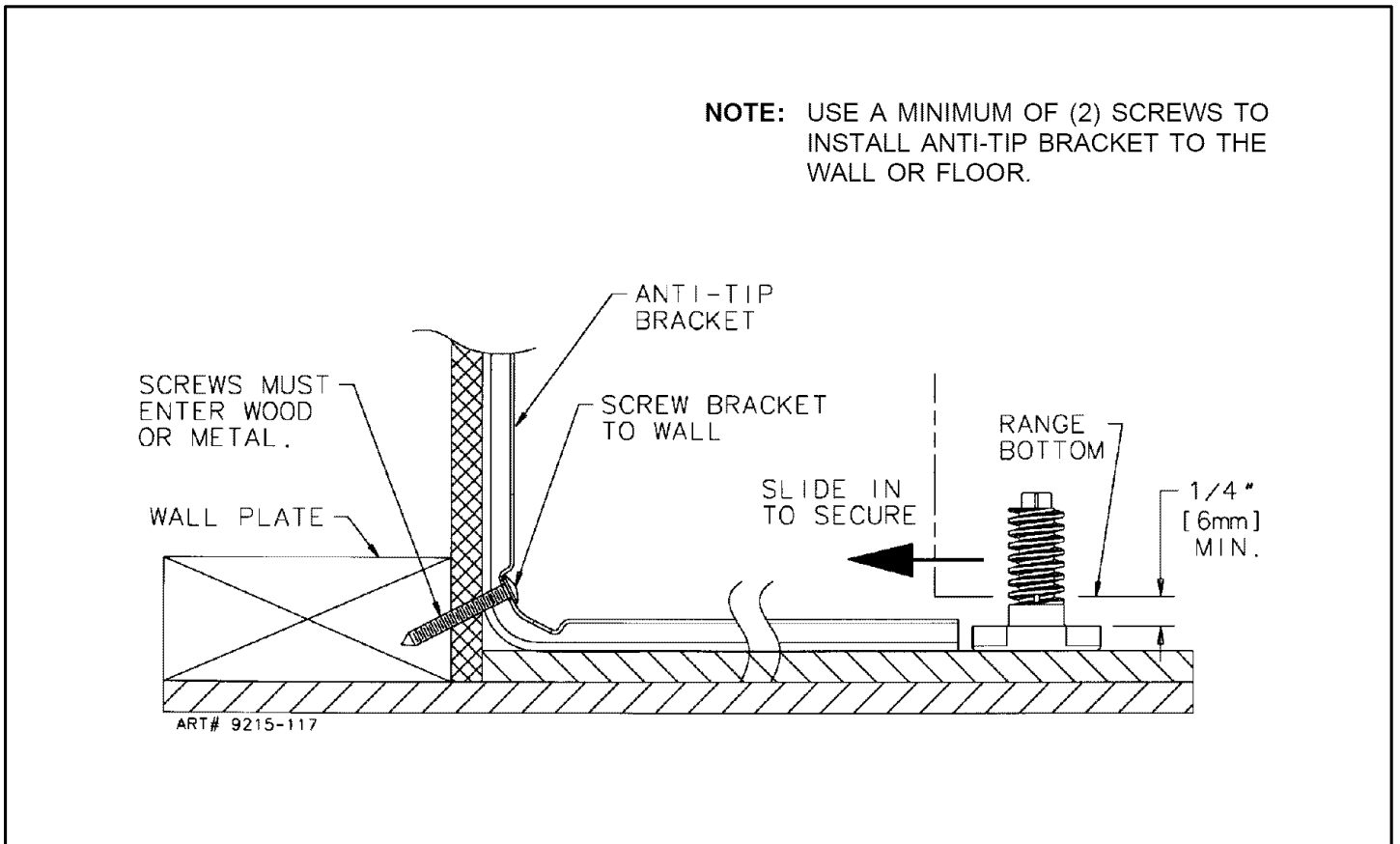


FIGURE 4

CONNECTING THE RANGE

ELECTRIC SUPPLY

The range must be installed in accordance with Local and National Electric Code (NEC) ANSI/NFPA No. 70-latest edition. See rating plate for total connected KW rating.

ELECTRIC SUPPLY (Canada)

The range must be installed in accordance with Local and Canadian Electric Code CSA STD.C22.1 latest edition. See rating plate for total connected KW rating.

OUTSIDE WIRING

Your local utility company will tell you whether the present electric service to your home is adequate. It may be necessary to increase the size of the wiring to the house and service switch to take care of the electrical load demanded by the range. The kilowatt rating for the range is specified on the rating plate located on front of range.

HOUSE WIRING

Most local Building Regulations and Codes require that all electrical wiring be done by licensed electricians. All wiring should conform to Local and National Electrical Codes. This range requires a single phase three wire 120/240 or a 120/208 volt, 60 Hz, AC circuit. Wiring codes require a separate circuit be run from the main entrance panel to the range and that it be equipped with separate disconnect switch and fuses, either in the main entrance panel or in a separate switch and fuse box. In some communities, a solid or flexible continuous armored conduit must be used from main entrance panel to the terminal box on the rear of the range. Others will permit the termination of the range circuit at a polarized three or four wire plug-in outlet placed at a convenient point near the back of the range. The range is then connected to this outlet through an approved range connector (pigtail) fastened securely to the terminal block with proper strain relief at the range and a three or four pronged plug at the opposite end.

RANGE CONNECTIONS

Some models are shipped direct from the factory with service cords (pigtailed) attached. There are no range connections necessary on these models. Just plug into the range outlet. On models not provided with a service cord, connection to the power supply is necessary. REMEMBER - only a 4-conductor cord is to be used on new branch-circuit installations (1996 NEC), mobile homes, recreational vehicles, or in an area where local codes prohibit grounding through the neutral conductor.

Hence, 4-wire service MUST be provided for such installations. 3-wire service may be used when permitted by local code. USE COPPER OR ALUMINUM CONDUCTORS. Main terminal block is recognized for Copper or Aluminum conductors. Make connections as explained below and with reference to the appropriate illustration (see figures 6 and 7). After installation, insure tightness of all electrical connections and replace all covers.

Remove terminal block access cover from range back. (See figure 5).

RANGE CONNECTIONS (Canada)

This model was shipped direct from the factory with service cord (pigtail) attached. There are no range connections necessary. Just plug into the range outlet. See figure 2 on page 2 for outlet location.

NOTE: Cord replacement - **ONLY** a power supply cord rated at 240 volts minimum, 40 amperes or 50 amperes power supply cord that is marked for use with nominal 1 3/8" (34.93 mm) diameter connection opening, with closed loop terminals and marked for use with ranges shall be used.

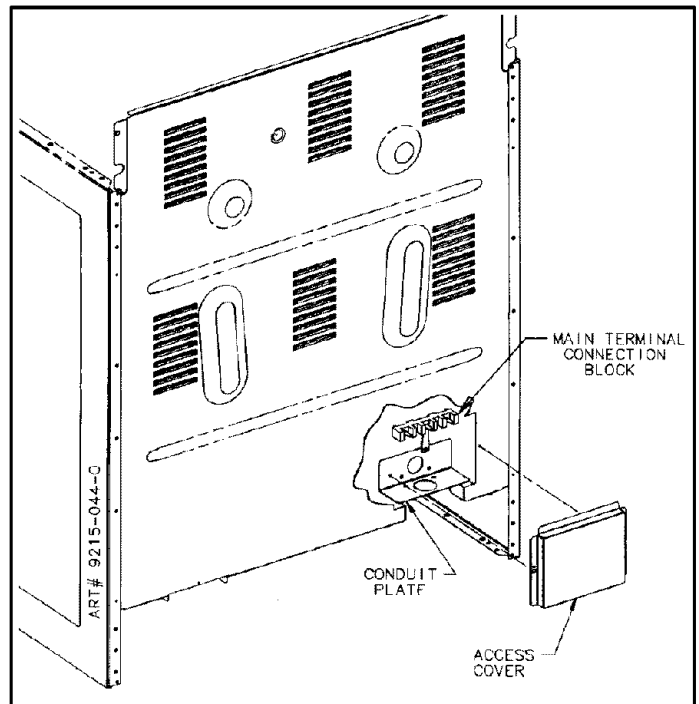
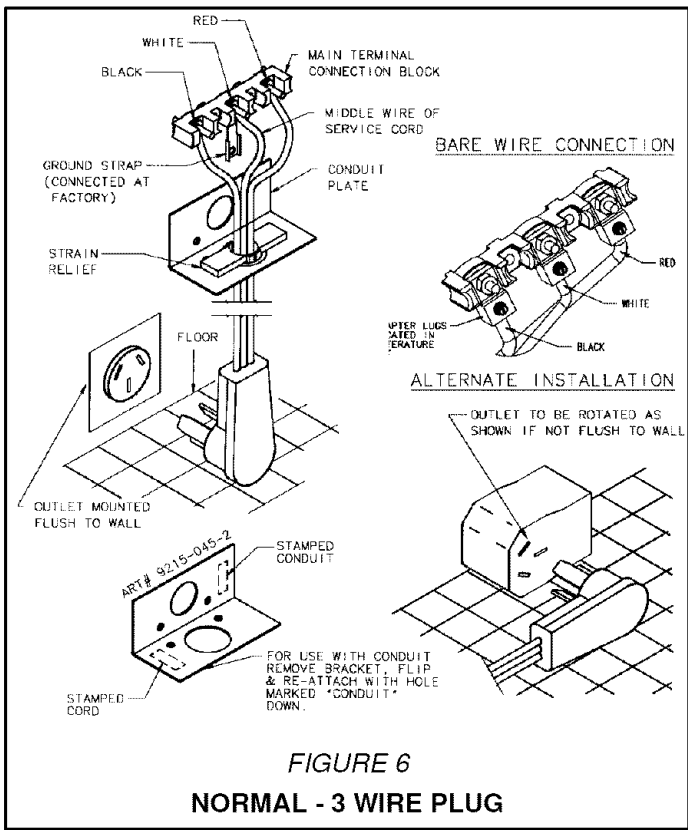


FIGURE 5

FIGURE 6

3-Wire Service Cord or Conduit Installation

1. Insure that the copper ground strap **IS CONNECTED** between the middle post of the main terminal connection block and the range chassis.
2. If bare copper or aluminum wiring is used, attach adapter lugs as shown in figure 6. (See Bare Wire Connection). Torque specifications are shown below.
3. The middle wire of the service cord or ground lead of 3-wire conduit **MUST** connect to the neutral (middle) post of the main terminal block. The other two wires of the service cord or conduit connect to the outside posts of the main terminal connection block. Polarity is unimportant. (If using bare wire, attach wire to appropriate lug as shown. Torque specifications are shown below).
4. An appropriate strain relief for service cord or conduit **MUST** be attached to the conduit plate.



**FIGURE 6
NORMAL - 3 WIRE PLUG**

Conversion From 3-Wire To 4-Wire Service (Free-Standing Models With 3-Wire Service Cord Attached).

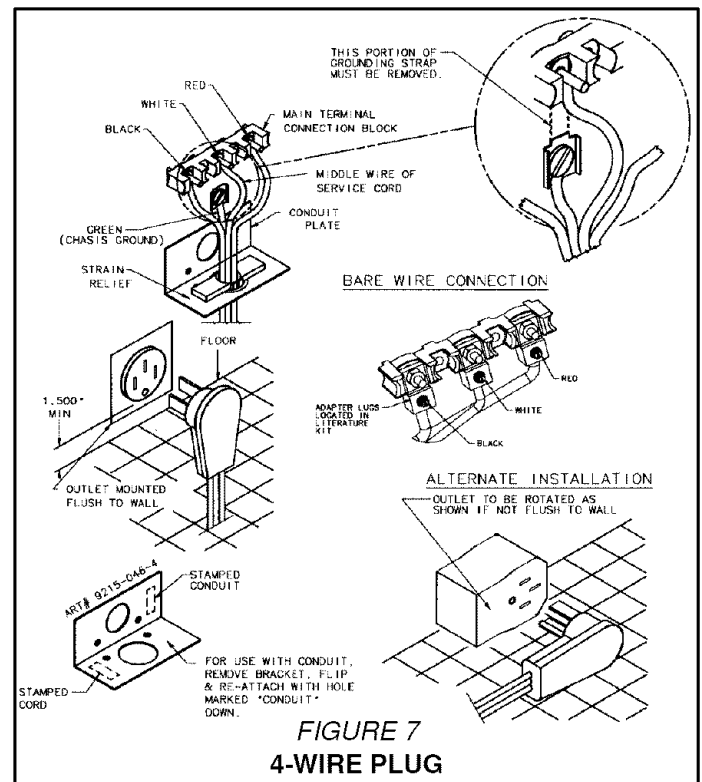
Disconnect range from power. Remove the access cover on back of range and remove the 3-wire service cord from the main terminal block. Follow instructions as outlined in figure 9 to connect the 4-wire service cord.

NOTE: Cord replacement - **ONLY** a power supply cord rated at 240 volts minimum, 40 amperes or 50 amperes power supply cord that is marked for use with nominal 1 3/8" (34.93 mm) diameter connection opening, with closed loop terminals and marked for use with ranges shall be used.

FIGURE 7

4-Wire Service Cord or Conduit Installation (Mobile Homes Or As Required By Codes)

1. The copper ground strap connected between the neutral (middle) post of the main terminal block and the chassis **MUST** be cut off as shown in figure 7. Save the green ground screw to attach the ground from the 4 wire cord. Only a 4 wire cord or conduit should be used.
2. If bare copper or aluminum wiring is used, attach adapter lugs as shown in figure 7. (See Bare Wire Connection). Torque specifications are shown below.
3. The ground wire from the service cord or conduit must connect to the range chassis using the green ground screw.
4. The white wire of the service cord or conduit must connect to the neutral (middle) post of the main terminal block. The other two wires of the service cord connect to the red and black posts of the main terminal block, respectively. (If using bare wire, attach wire to appropriate lug as shown. Torque specifications are shown below).
5. An appropriate strain relief for service cord or conduit **MUST** be attached to the conduit plate.



**FIGURE 7
4-WIRE PLUG**

**Bare Wire Torque Specifications
Lug attached to Terminal Block - 20 in-lb**

Wire AWG	Torque
10 - 14	20 in-lb
8	25 in-lb
4 - 6	35 in-lb

INSTALADOR: DEJE ESTAS INSTRUCCIONES CON EL APARATO

MANUAL DE INSTALACIÓN

Estufa eléctrica individual de 30 pulgadas (76.2 cm) de ancho

CONSERVE ESTE MANUAL PARA REFERENCIA FUTURA

EL MANUAL TIENE LA FINALIDAD DE AYUDARLE EN LA INSTALACIÓN Y AJUSTES INICIALES DE LA ESTUFA.

ADVERTENCIA ESPECIAL

Solamente personal calificado debe instalar o darle servicio a esta estufa.

Lea las “Instrucciones de seguridad” en el libro de Uso y cuidado antes de utilizar la estufa.

La instalación, el ajuste, las alteraciones, el servicio, el mantenimiento o el uso incorrectos de la estufa pueden causar lesiones graves o daños materiales.

PRECAUCIÓN: Esta estufa se ha diseñado en conformidad con los requisitos de varias agencias de seguridad y cumple con las temperaturas máximas permisibles de 194°F (90°C) para los gabinetes de madera. Si se instala esta estufa en gabinetes que tengan una temperatura de trabajo menor de 194°F (90°C), podrían ocurrir decoloración, pérdida del laminado o podría derretirse.

ENGLISH ▶ PP. 1-6

ESPAÑOL ▶ pág. 7-12

FRANÇAIS ▶ p. 13-18

DIMENSIONES DEL HUECO

Para obtener la información completa relacionada con la instalación de la estufa individual, vea las figuras 1 y 2 de las página 9. Por RAZONES DE SEGURIDAD no instale la estufa en ningún gabinete combustible que no esté de acuerdo con las dimensiones de los espacios de instalación que se muestran en la figura 1.

CASAS MÓVILES

La instalación de una estufa diseñada para casas móviles debe estar en conformidad con las Normas de Seguridad y Construcción de Casas Prefabricadas (Manufactured Home Construction and Safety Standard, Título 24 CFR, Parte 3280 (anteriormente Federal Standard for Mobile Home Construction and Safety, Título 24 HUD, Parte 280)) o, cuando dichas normas no correspondan, las Normas para Instalaciones en Casas Prefabricadas de 1982 (Manufactured Home Sites, Communities and Set-Ups), ANSI A225.1-última edición o con los códigos locales.

UBICACIÓN DE LA ESTUFA

Coloque la estufa en un área bien iluminada. No la coloque sobre agujeros del piso ni en algún lugar en donde pueda recibir corrientes de aire fuertes. Deben sellarse los orificios de la pared posterior y del piso debajo de la estufa. Asegúrese que el flujo de enfriamiento o el aire de ventilación no estén obstruidos debajo de la estufa.

Es posible que su estufa no esté equipada con algunas de las características que se mencionan en este manual.

DIBUJOS DE INSTALACIÓN

IMPORTANTE

SÍRVASE CONSERVARLO PARA QUE LO USE EL INSPECTOR ELÉCTRICO LOCAL.

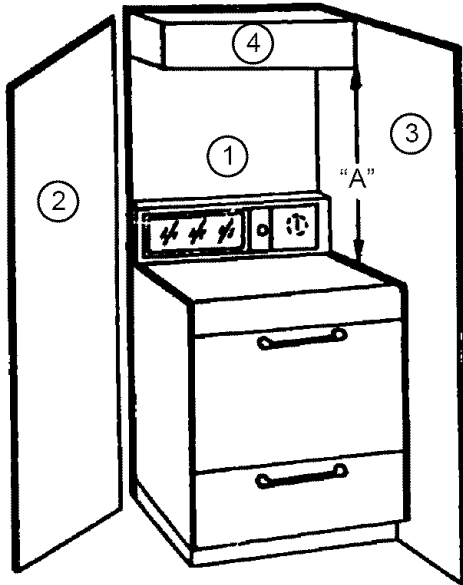


FIGURA 1

NOTA: La figura puede no ser representativa de la unidad real

"A" = 30 pulgadas (76.2 cm) espacio mínimo entre la parte superior de la superficie de cocinar y la parte inferior de un gabinete sin protección de madera o metal, o "A" = 24 pulgadas (61 cm) cuando menos cuando la parte inferior de un gabinete de madera o metal está protegido por de 1/4 de pulg. (6.4 mm) un cartón grueso recubierto con una hoja de acero cuando menos del No. 28 MSG, una hoja de acero inoxidable de 0.015 pulg (0.381 mm) de espesor, aluminio de 0.024 pulg (0.610 mm) de espesor o una de cobre de 0,020 pulg (0.508 mm).

Para eliminar el riesgo de quemaduras o incendios por alcanzar cosas por encima de las unidades superficiales calientes, debe evitarse el espacio de almacenamiento del gabinete que se ubica encima de las unidades superficiales. Si se va a proporcionar almacenamiento de gabinete, el riesgo puede reducirse instalando una campana de estufa que sobresalga horizontalmente cuando menos 5 pulgadas (13 cm) de la parte inferior de los gabinetes.

FIGURA 1

- 1, 2, 3 - PAREDES COMBUSTIBLES DEL EDIFICIO.
- 4 - GABINETE DE PAREDES COMBUSTIBLES.

Una estufa individual puede instalarse adyacente a (0" de) las paredes combustibles 1, 2 y 3.

NOTA: PARA LA INSTALACIÓN EN CANADÁ, UNA ESTUFA INDIVIDUAL NO DEBE INSTALARSE MÁS CERCA DE 12 MM DE UNA SUPERFICIE ADYACENTE.

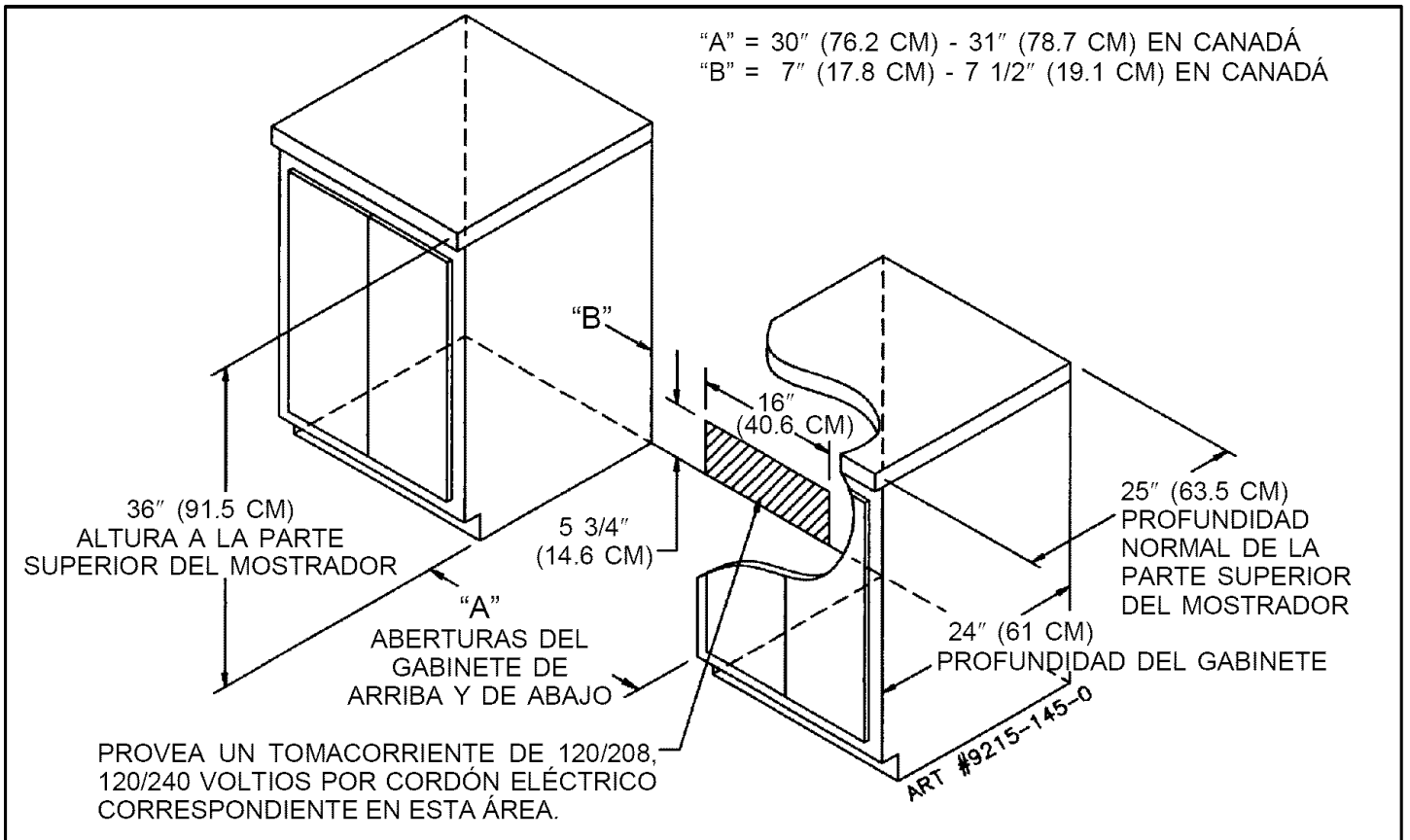


FIGURA 2

INSTRUCCIONES DE INSTALACIÓN DEL DISPOSITIVO ESTABILIZADOR

ADVERTENCIA: Existe la posibilidad de que la estufa se ladee si no está instalada de acuerdo a las instrucciones de instalación que se proporcionan. El uso correcto de este dispositivo reduce el riesgo de LADEO. Al usar este dispositivo el consumidor aun debe acatar las precauciones de seguridad que se dictan en el MANUAL DE USO Y CUIDADO y debe evitar utilizar las puertas del horno como banquillo.

Las instrucciones de instalación se proporcionan para madera y cemento tanto en piso como pared. Cualquier otro tipo de construcción podría necesitar técnicas especiales de instalación según se determine necesario para proporcionar la sujeción adecuada del soporte ESTABILIZADOR al piso o a la pared. El soporte puede instalarse para sujetar la pata niveladora posterior IZQUIERDA o DERECHA.

PASO 1 -Ubicación del soporte ESTABILIZADOR (vea la figura 3)

- Decida en dónde se ubicará el "BORDE" derecho o izquierdo de la estufa y marque el piso o la pared.
- Coloque el SOPORTE del "BORDE" marcado a 15/16" (24 mm) del centro de la abertura y contra la pared posterior según se muestra en la figura 3, con el orificio de orientación hacia la pared.
- Use el soporte como plantilla y marque los orificios necesarios, según se muestra en la figura 3, para el tipo de construcción que se utilizará.
- La estufa individual puede asegurarse tanto al piso como a la pared.

PASO 2 -Opciones para la instalación del soporte estabilizador

- Construcción de madera:
 - Piso: Ubique el centro de los dos orificios que se identifican en la figura 3 como "ORIFICIOS PARA EL PISO". Taladre un agujero piloto de 1/8" (3 mm) en el centro de cada orificio (puede utilizarse un clavo o una lezna si no tiene una broca). Asegure el soporte ESTABILIZADOR al piso con los dos tornillos que se proporcionan. Continúe con el PASO 3.
 - Pared: Ubique el centro de los dos orificios que se identifican en la figura 3 como "ORIFICIOS PARA LA PARED". Taladre un agujero piloto en ángulo de 1/8" (3 mm) en el centro de cada orificio según se muestra en la figura 4. (Puede utilizarse un clavo o una lezna si no tiene una broca). Asegure el soporte ESTABILIZADOR al piso con los dos tornillos que se proporcionan según se muestra en la figura 4. Continúe con el PASO 3.
- Construcción de concreto o cemento:
 - En una ferretería pueden obtenerse los tornillos adecuados para las construcciones de concreto. Taladre un agujero del tamaño necesario para los tornillos obtenidos, en el concreto en el centro de los orificios que se identifican en la figura 2 como "ORIFICIOS PARA EL PISO". Asegure el soporte al piso. Continúe con el PASO 3.

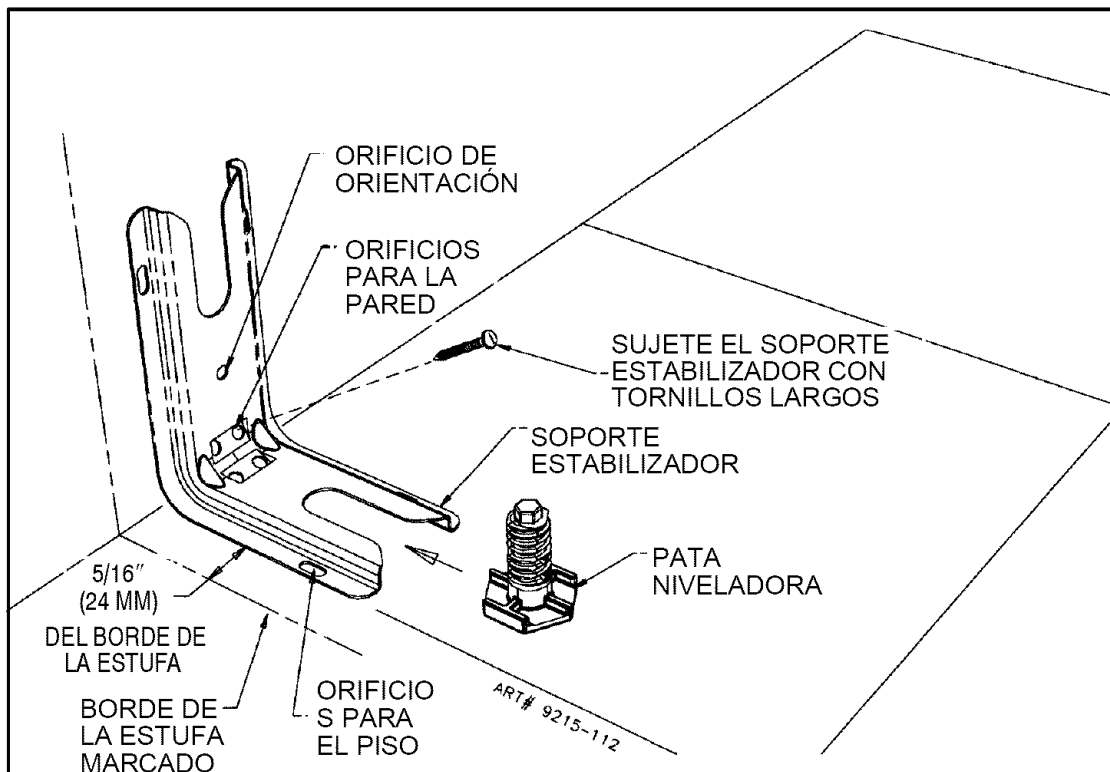


FIGURA 3

INSTRUCCIONES DE INSTALACIÓN DEL DISPOSITIVO ESTABILIZADOR

PASO 3 - Instalación de la estufa

- A. Una sola persona puede instalar una estufa individual.
- B. Alinee la estufa en la ubicación que se desee y deslícela hacia atrás en su lugar. Nota: Se necesita una distancia mínima de 1/4" (6 mm) entre la estufa y la pata niveladora que asegurará el SOPORTE ESTABILIZADOR, vea la figura 4.
- PRECAUCIÓN:** Podrían ocurrirle daños a la estufa si se mueve o levanta sosteniéndola por la parte superior principal o el protector posterior.
- C. Todas las estufas individuales con la parte superior de vidrio tienen una parte superior que no puede levantarse. Las que tienen la parte superior operada por un serpentín se pueden levantar.
- D. Por CONSIDERACIONES DE SEGURIDAD así como para el funcionamiento óptimo ajuste la estufa para que quede bien nivelada. Esto puede revisarse colocando un nivel de aire o un recipiente grande con agua sobre la estufa o en la parrilla del horno. Si es necesario ajustarla estire la estufa hacia delante, ladéela y gire las patas niveladoras según sea necesario.
- E. Para revisar que el soporte antiladeo esté instalado correctamente en la estufa: Use una linterna y vea debajo de la parte inferior de la estufa para comprobar que una de las patas niveladoras posteriores esté asegurada a la ranura del soporte.
- F. Continúe con el resto de las instrucciones de instalación que se proporcionan con la estufa.

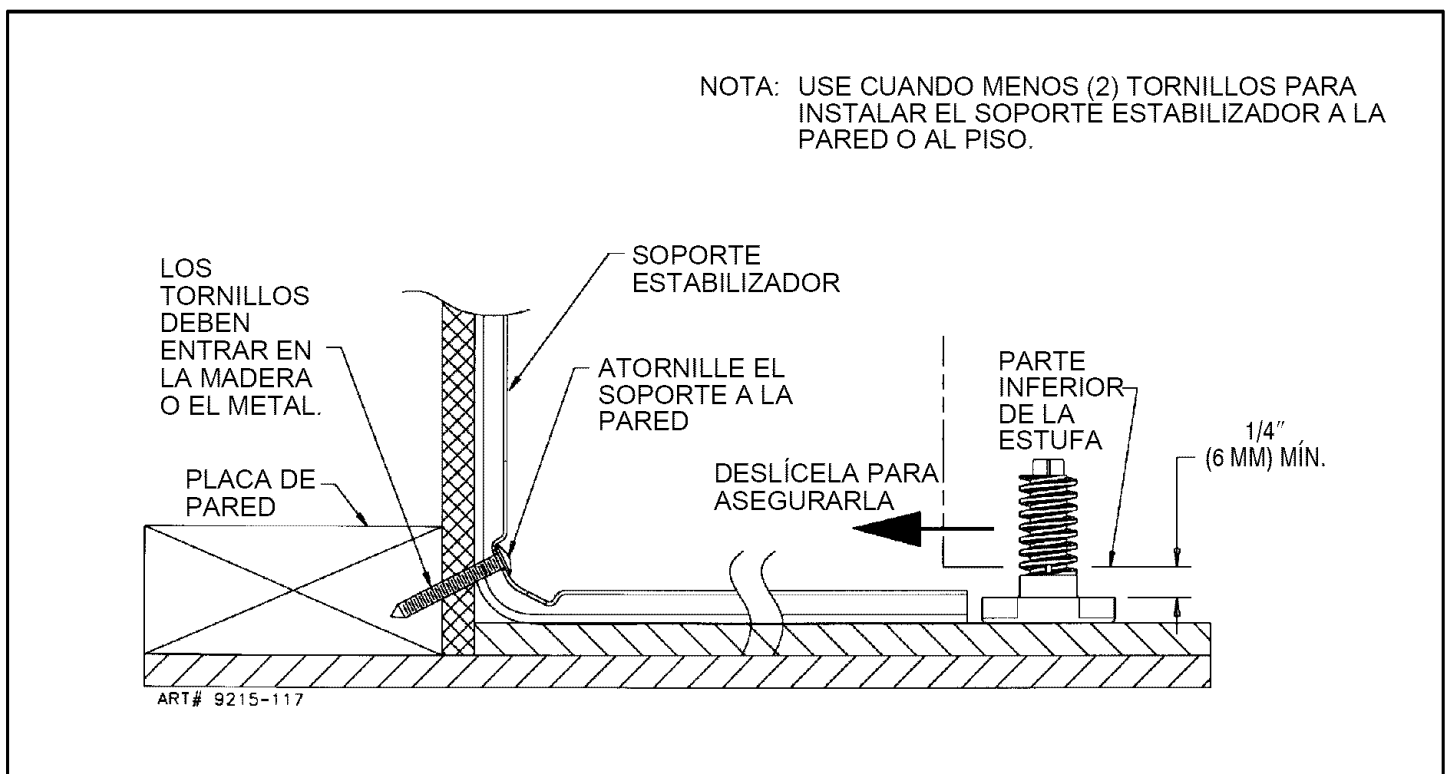


FIGURA 4

CONEXIÓN DE LA ESTUFA

SUMINISTRO ELÉCTRICO

La estufa debe instalarse de acuerdo a los Códigos Eléctricos Locales y Nacionales (NEC) ANSI/NFPA No. 70-última edición. Vea la placa de clasificación para obtener la clasificación total de KW conectados.

SUMINISTRO ELÉCTRICO (Canadá)

La estufa debe instalarse de acuerdo a los Códigos Eléctricos Canadienses y Locales CSA STD.C22.1 última edición. Vea la placa de clasificación para obtener la clasificación total de KW conectados.

CABLEADO EXTERIOR

La compañía local de servicios públicos le informará si es adecuado el servicio eléctrico actual a su casa. Podría ser necesario aumentar el tamaño del cableado a la casa y el interruptor de servicio para poder con la carga eléctrica que la estufa demanda. La clasificación de kilovatios para la estufa está especificada en la placa de clasificación que se ubica al frente de la estufa.

CABLEADO DE LA CASA

La mayoría de los Códigos y Reglamentos locales para edificios exigen que todo el cableado eléctrico lo instale un electricista con licencia. Todo el cableado debe estar en conformidad con los Códigos Eléctricos Nacionales y Locales. Esta estufa requiere un circuito de CA monofásico de tres o cuatro cables de 120/240 o de 120/208 voltios, 60 Hz. Los códigos de cableado requieren que se tenga un circuito separado del tablero principal de entrada a la estufa y que esté equipado con fusibles y con un interruptor de desconexión, ya sea en el tablero principal de entrada o en un interruptor y caja de fusibles separados. En algunas comunidades, debe usarse un conductor flexible o sólido acorazado continuo del tablero principal de entrada a la caja terminal en la parte posterior de la estufa. Otros permitirán que el circuito de la estufa termine en un tomacorriente de conexión polarizada de tres o cuatro cables colocado en un lugar conveniente cerca de la parte posterior de la estufa. Entonces se puede conectar la estufa a este tomacorriente mediante un conector de la clasificación aprobada (cable flexible de conexión) asegurado con firmeza al bloque terminal, con el protector contra tirones apropiado, a la estufa y a un enchufe de tres o cuatro puntas en el otro extremo.

CONEXIONES DE LA ESTUFA

Algunos modelos se envían directamente de fábrica con los cordones de servicio (cables flexibles de conexión) sujetos. No es necesario hacer ninguna conexión en estos modelos de estufa. Sencillamente conéctelos en el tomacorriente de la estufa. En los modelos que no vienen con el cordón de servicio, es necesario hacer la conexión al suministro de energía. ¿RECUERDA, debe usarse solamente un cordón con cuatro conductores en las instalaciones de circuitos en derivaciones nuevas (1996 NEC), en casas móviles, vehículos recreativos, o en lugares en donde los códigos locales prohíben la

conexión a tierra mediante el conductor neutro. Por lo tanto, DEBE proveerse un cordón de servicio de 4 alambres para dichas instalaciones. Puede usarse un cordón de servicio de 3 cables cuando lo permitan los códigos locales. USE SOLAMENTE CONDUCTORES DE COBRE O ALUMINIO. El bloque terminal principal está indicado para uso con conductores de cobre o aluminio. Si se requiere un cordón flexible de energía, se recomienda que no se use un cordón más largo de 4 pies. Haga las conexiones según se explica más adelante y consultando la ilustración correspondiente (vea las figuras 6 y 7). Después de la instalación, asegúrese de que estén bien aseguradas las conexiones eléctricas y coloque las cubiertas de nuevo.

Quite la cubierta de acceso del bloque terminal de la parte posterior de la estufa. (Vea la figura 5).

CONEXIONES DE LA ESTUFA (en Canadá)

Este modelo se embarcó directamente de fábrica con el cordón de servicio (cable flexible de conexión). No es necesario hacer ninguna conexión en la estufa. Sencillamente conéctela en el tomacorriente de la estufa. Vea la figura 2 en la página 9 para saber la ubicación del tomacorriente.

NOTA: Reemplazo del cordón, **SOLAMENTE** se deberá utilizar un cordón de suministro eléctrico de clasificación mínima de 240 voltios, 40 ó 50 amperios que esté marcado para usarse con una abertura nominal de conexión de 1 3/8" (34.93 mm) de diámetro, con terminales de lazo cerrado y que estén marcados para utilizarse con estufas.

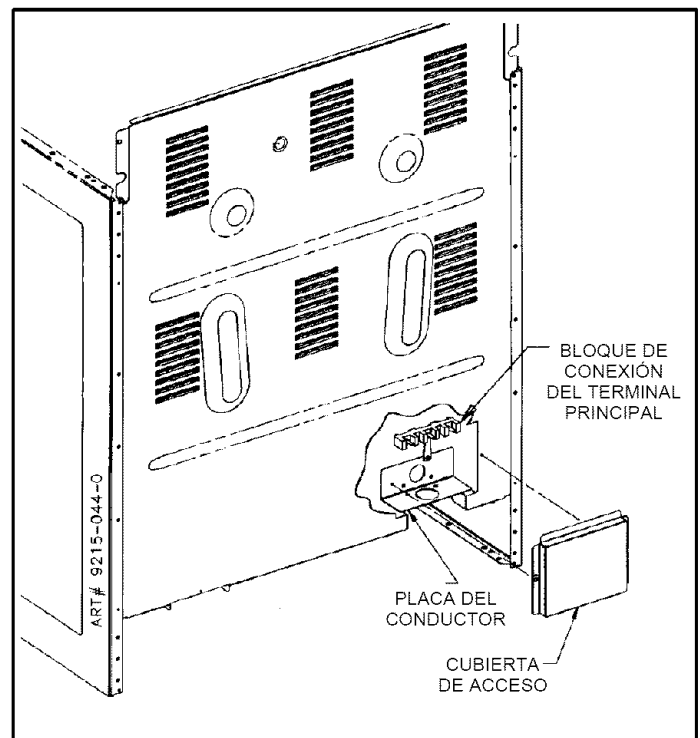
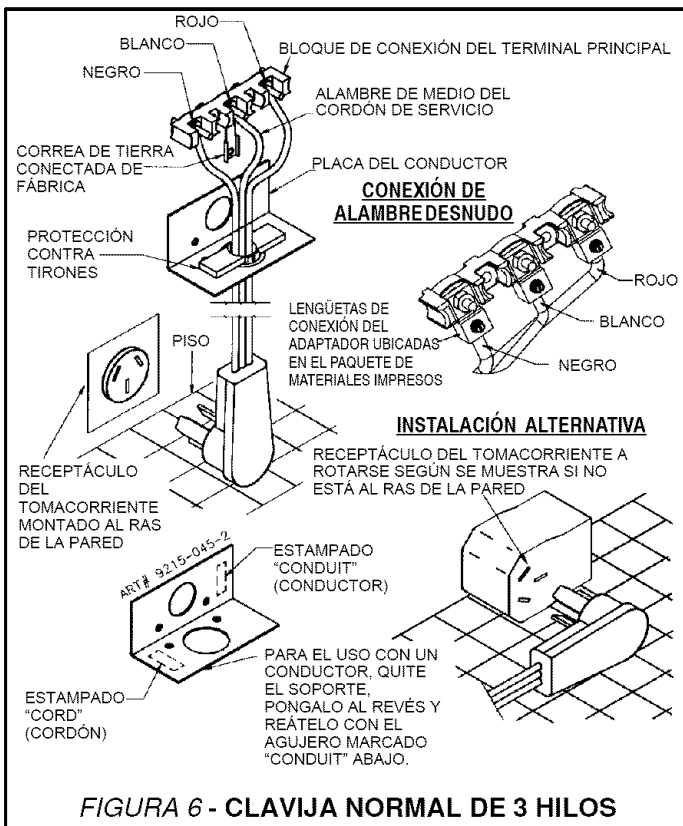


FIGURA 5

FIGURA 6
Instalación del conductor o los cordones de servicio de 3 hilos

1. Asegúrese que la correa de tierra de cobre **ESTÉ CONECTADA** entre el poste central del bloque de conexión del terminal principal y el bastidor de la estufa.
2. Si se usa alambrado desnudo de cobre o aluminio, sujete la lengüeta de conexión del adaptador según se muestra en la figura 6. (Vea Conexión de alambre desnudo). Las especificaciones de torsión se muestran a continuación.
3. El alambre en el centro del cordón de servicio o el conductor de conexión a tierra del conductor de 3 hilos **DEBE** conectarse al poste neutro (central) del bloque principal del terminal. Los otros dos hilos del cordón de servicio o del conductor se conectan a los postes externos del bloque de conexión del terminal principal. La polaridad no es importante. (Si va a usar alambrado desnudo, sujete el alambre a la lengüeta de conexión correspondiente según se muestra. Las especificaciones de torsión se muestran a continuación).
4. Un protector contra tirones apropiado para cordones de servicio o conductores **DEBE** estar sujeto a la placa del conductor.



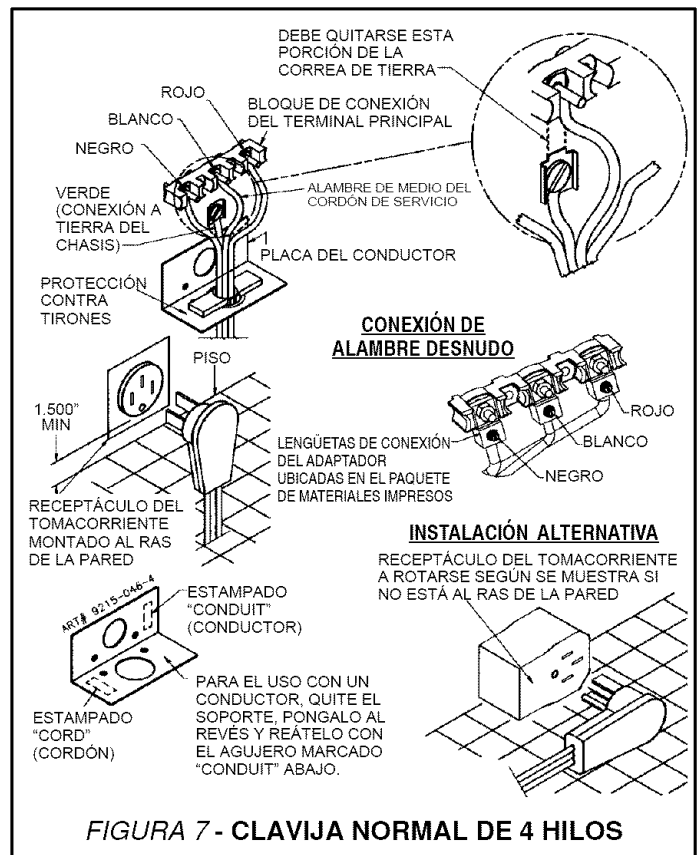
Conversión de un cordón de servicio de 3 hilos a 4 hilos
(Modelos independientes que tengan sujeto un cordón de servicio de 3 hilos).

Desconecte la estufa del suministro eléctrico. Retire la cubierta de acceso de la parte posterior de la estufa y quite el cordón de servicio de 3 hilos del bloque principal del terminal. Siga las instrucciones según se indican en la figura 9 para conectar el cordón de servicio de 4 hilos.

NOTA: Reemplazo del cordón. **SOLAMENTE** deberá utilizarse un cordón de suministro de energía con una clasificación mínima de 240 voltios, 40 ó 50 amperios que esté marcado para usarse con una abertura nominal de 1 3/8" (34.93 mm) de conexión de diámetro, con terminales de bucle cerrado y marcado para usarse con estufas.

FIGURA 7
Instalación del conductor o los cordones de servicio de 4 hilos
(para casas móviles o como lo requieran los códigos)

1. La correa de tierra de cobre conectada entre el poste neutro (central) del bloque terminal principal y el bastidor **DEBE** estar cortada como se muestra en la figura 7. Conserve el tornillo verde de conexión a tierra para sujetar la conexión a tierra del cordón de 4 hilos. Solamente debe utilizarse un cordón o conductor de 4 hilos.
2. Si se usa alambrado desnudo de cobre o aluminio, sujete la lengüeta de conexión del adaptador según se muestra en la figura 7. (Vea Conexión de alambre desnudo). Las especificaciones de torsión se muestran a continuación.
3. El hilo de conexión a tierra del cordón o el conductor de servicio debe conectarse al bastidor de la estufa utilizando el tornillo verde de conexión a tierra.
4. El hilo blanco del cordón o del conductor de servicio debe conectarse al poste neutro (central) del bloque principal del terminal. Los otros dos hilos del cordón de servicio o del conductor se conectan a los postes rojo y negro del bloque del terminal principal, respectivamente. (Si va a usar alambrado desnudo, sujete el alambre a la lengüeta de conexión correspondiente según se muestra. Las especificaciones de torsión se muestran a continuación).
5. Un protector contra tirones apropiado para cordones de servicio o conductores **DEBE** estar sujeto a la placa del conductor.



ESPECIFICACIONES DE TORSIÓN DEL ALAMBRE DESNUDO
LENGÜETA DE CONEXIÓN SUJETA AL BLOQUE TERMINAL - 20 PULG/LIBRAS

CALIBRE DEL ALAMBRE	TORSIÓN DE
10 - 14	20 pulg-libras
8	25 pulg-libras
4 - 6	35 pulg-libras

MANUEL DE MISE EN SERVICE

Cuisinière électrique amovible de 30 po (76,2 cm)

VEUILLEZ CONSERVER CE MANUEL POUR RÉFÉRENCE ULTÉRIEURE

CE MANUEL EST DESTINÉ À FACILITER LA MISE EN SERVICE ET LE RÉGLAGE INITIAUX DE LA CUISINIÈRE.

AVERTISSEMENT SPÉCIALE

La mise en service et le dépannage de cette cuisinière doivent être réalisés uniquement par du personnel qualifié.

Lire les « Mesures de sécurité » dans le manuel de l'utilisateur avant d'utiliser la cuisinière.

Une mauvaise réalisation de la mise en place, du réglage, de modifications, de réparations ou de l'entretien de la cuisinière ou son usage incorrect peuvent entraîner des blessures graves ou des dégâts matériels.

ATTENTION : Cette cuisinière satisfait aux exigences de divers organismes de protection et aux normes relatives à la température maximum permise de 194°F (90°C) pour les armoires en bois. Si cette cuisinière est adjacente à des armoires pouvant supporter une température inférieure à 194°F (90°C) seulement, celles-ci peuvent se décolorer, se délaminer ou fondre.

ENGLISH ▶ PP. 1-7
ESPAÑOL ▶ pág. 7-12
FRANÇAIS ▶ p. 13-18

DÉGAGEMENT NÉCESSAIRE

Pour tous renseignements concernant la mise en service d'une cuisinière amovible, voir les figures 1 et 2, page 16. Pour des RAISONS DE SÉCURITÉ, ne pas mettre la cuisinière en place dans des armoires en matériau combustible qui ne satisfasse pas aux exigences de dégagement indiquées en figure 1.

MAISONS MOBILES

La mise en service d'une cuisinière prévue pour les maisons mobiles doit être conforme aux normes « Manufactured Home Construction and Safety Standard », titre 24 CFR, partie 3280 (précédemment « Federal Standard for Mobile Home Construction and Safety », titre 24 HUD, partie 280) ou, lorsque ces normes ne sont pas applicables, les normes « Standard for Manufactured Home Installations 1982 (Manufactured Home Sites, Communities and Set-ups) », ANSI A225.1-édition la plus récente, ou les codes de construction locaux.

RACCORDEMENT DE LA CUISINIÈRE

Mettre la cuisinière dans un endroit où elle recevra un bon éclairage. Ne pas monter la cuisinière au-dessus de trous dans le plancher ou en tout autre endroit où elle sera exposée à de forts courants d'air. Toute ouverture dans le mur à l'arrière de la cuisinière et dans le plancher sous la cuisinière doit être bouchée. S'assurer que le passage de l'air de refroidissement/ventilation sous la cuisinière n'est pas entravé.

Votre cuisinière peut ne pas être dotée de toutes les fonctions mentionnées dans ce manuel.

SCHÉMAS DE MONTAGE

IMPORTANT

CONSERVER À L'USAGE DE L'INSPECTEUR EN ÉLECTRICITÉ LOCAL.

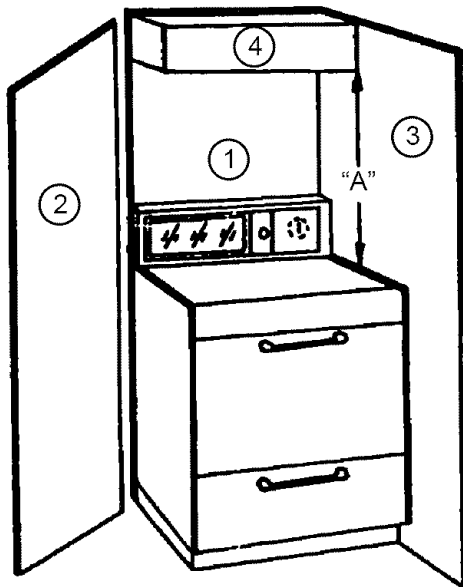


FIGURE 1

REMARQUE : L'illustration peut ne pas représenter exactement l'appareil.

A = dégagement minimum de 30 po (76,2 cm) entre la table de cuisson et le bas d'une armoire non protégée en bois ou en métal ; ou bien A = 24 po (61 cm) si le bas de l'armoire en bois ou en métal est protégé par du carton ignifuge d'un minimum de 1/4 po (6,4 mm) d'épaisseur couvert, au minimum, de tôle d'acier n° 28 MSG, d'acier inoxydable de 0,015 po (0,381 mm) d'épaisseur, d'aluminium de 0,024 po (0,610 mm) d'épaisseur ou de cuivre de 0,020 po (0,508 mm) d'épaisseur.

Pour éliminer tout risque de brûlure ou d'incendie en essayant d'atteindre un objet placé au-dessus d'éléments brûlants, éviter d'avoir un espace de rangement au-dessus de la table de cuisson. S'il doit y avoir une armoire au-dessus de la table de cuisson, l'installation d'une hotte dépassant d'au moins 5 po (13 cm) de sa partie inférieure réduira les risques liés à ce type d'entreposage.

FIGURE 1

- 1, 2, 3 - PAROIS EN MATÉRIAU COMBUSTIBLE.
- 4 - ARMOIRE EN MATÉRIAU COMBUSTIBLE.

Une cuisinière amovible peut être directement contre (0 cm/po) les parois 1, 2, 3 même si celles-ci sont en matériau combustible.

REMARQUE : DANS LE CAS D'UNE MISE EN SERVICE AU CANADA, UNE CUISINIÈRE AMOVIBLE NE DOIT PAS ÊTRE PLACÉE À MOINS DE 12 MM DE TOUTE SURFACE ADJACENTE.

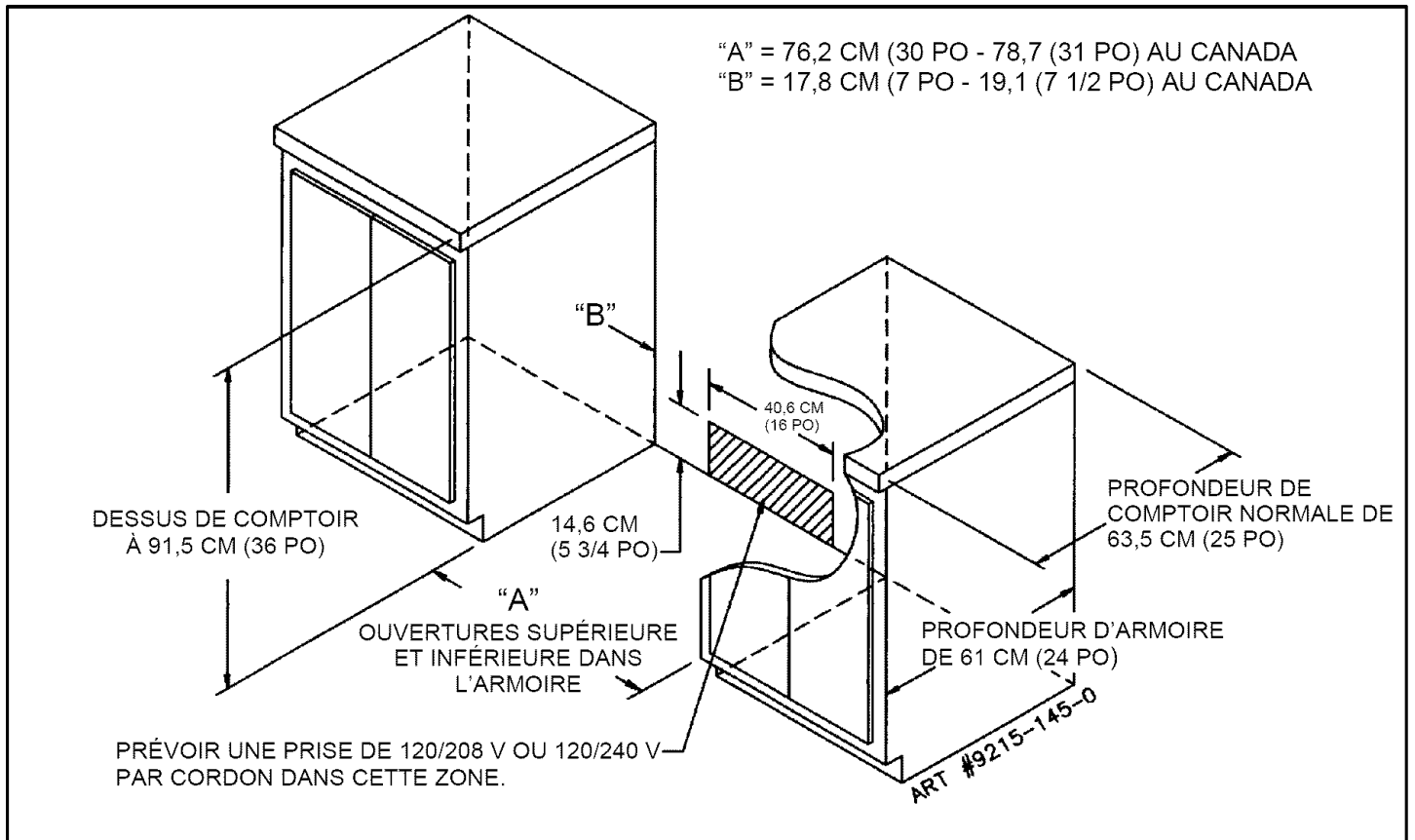


FIGURE 2

MISE EN PLACE DU SUPPORT DE STABILISATION

ATTENTION : La cuisinière risque de basculer si elle n'est pas mise en place conformément aux instructions fournies. Si le support est utilisé correctement, il réduit le risque que la cuisinière ne BASCULE. Même si le support est utilisé correctement, le consommateur doit observer les précautions indiquées dans le MANUEL D'UTILISATION ET D'ENTRETIEN et éviter d'utiliser la porte du four et/ou le tiroir inférieur comme un tabouret.

Les instructions sont prévues pour un plancher ou un mur en bois ou en ciment. Tout autre matériau peut requérir des techniques spéciales, qu'il conviendra de déterminer, pour assurer la fixation du SUPPORT DE STABILISATION au mur ou au plancher. Le support de stabilisation est prévu pour s'insérer à GAUCHE ou à DROITE du pied de mise à niveau.

ÉTAPE 1 - Emplacement du support de stabilisation (voir figure 3).

- Déterminer où le « BORD » gauche ou droit de la cuisinière se trouvera une fois celle-ci en place et le marquer d'un repère sur le plancher ou sur le mur.
- Placer le SUPPORT à 15/16 po (24 mm) de la marque du « BORD » en allant vers le centre de l'ouverture et contre le mur arrière tel qu'indiqué à la figure 3, le trou d'orientation étant contre le mur.
- Utiliser le support comme gabarit et marquer l'emplacement des trous pour le type de matériau sur lequel le support doit être fixé, tel qu'indiqué à la figure 3.
- La cuisinière amovible peut être fixée au plancher ou au mur.

ÉTAPE 2 - Pose du support de stabilisation

- Bois :
 - Plancher : Déterminer le centre des deux trous identifiés par « TROUS POUR PLANCHER » à la figure 3. Percer un trou de positionnement de 1/8 po (3 mm) au centre de chaque trou (un clou ou un poinçon peut également être utilisé si une perceuse n'est pas disponible). Fixer le support de STABILISATION au plancher à l'aide des deux vis fournies. Passer à l'ÉTAPE 3.
 - Mur : Déterminer le centre des deux trous identifiés par « TROUS POUR MUR » à la figure 3. Percer un trou de positionnement de 1/8 po (3 mm) au centre de chaque trou (un clou ou un poinçon peut également être utilisé si une perceuse n'est pas disponible) tel qu'indiqué à la figure 4. Fixer le support de STABILISATION au mur à l'aide des deux vis fournies tel qu'indiqué à la figure 4. Passer à l'ÉTAPE 3.
- Ciment ou béton :
 - On trouve des vis convenant au ciment ou au béton dans les quincailleries. Percer les trous de positionnement de la grandeur correspondante à celle des vis obtenues en quincaillerie au centre des trous identifiés « TROUS POUR PLANCHER » à la figure 3. Fixer le support de STABILISATION au plancher. Passer à l'ÉTAPE 3.

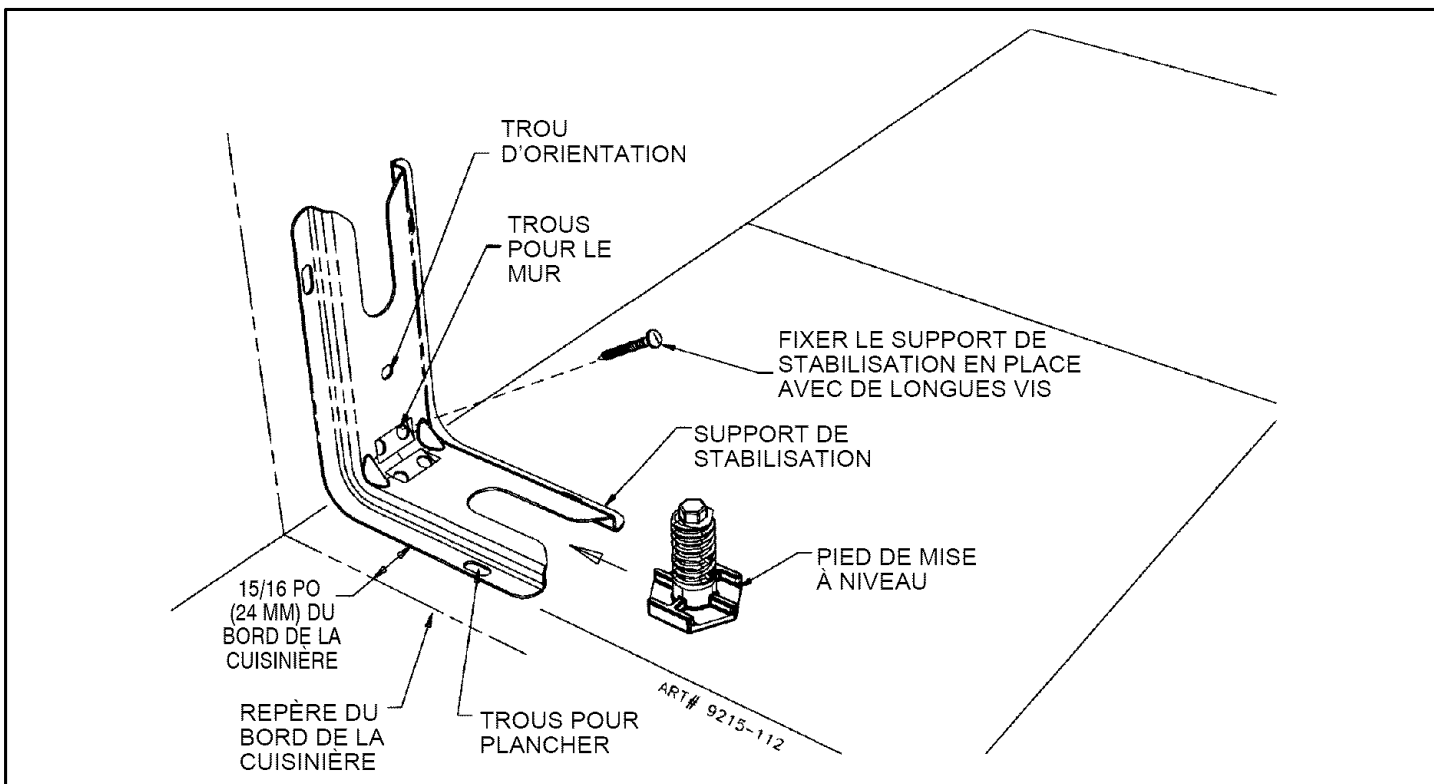


FIGURE 3

MISE EN PLACE DU SUPPORT DE STABILISATION

ÉTAPE 3 - Mise en place de la cuisinière

- A. Une cuisinière amovible peut être mise en place par une seule personne.
- B. Placer la cuisinière de façon à ce qu'elle puisse entrer dans l'ouverture et la pousser en place. Remarque : un dégagement minimum de 1/4 po (6 mm) est exigé entre la cuisinière et le pied de mise à niveau qui va s'insérer dans le support de STABILISATION (voir figure 4).

ATTENTION : La cuisinière peut se trouver abîmée si elle est déplacée et soulevée par le dessus ou à l'aide du dossier.

- C. Toutes les cuisinières amovibles à dessus en vitrocéramique ont un dessus non relevable. Si elles sont dotées d'éléments chauffants tubulaires, le dessus est relevable.

- D. Pour des RAISONS DE SÉCURITÉ et pour obtenir des résultats optimaux à la cuisson, régler la cuisinière de façon à ce qu'elle soit de niveau. Pour vérifier le niveau, mettre un niveau à bulle ou une grande casserole d'eau sur la surface de cuisson ou sur la grille du four. Si le niveau doit être réglé, tirer la cuisinière vers soi, la faire basculer légèrement et faire tourner le pied de mise à niveau autant que nécessaire.

- E. Pour vérifier si le support de stabilisation est bien en place : regarder sous la cuisinière à l'aide d'une lampe électrique et vérifier que l'un des pieds arrière de mise à niveau est bien inséré dans la fente du support.

- F. Finir la mise en service de la cuisinière tel qu'indiqué dans les instructions fournies avec la cuisinière.

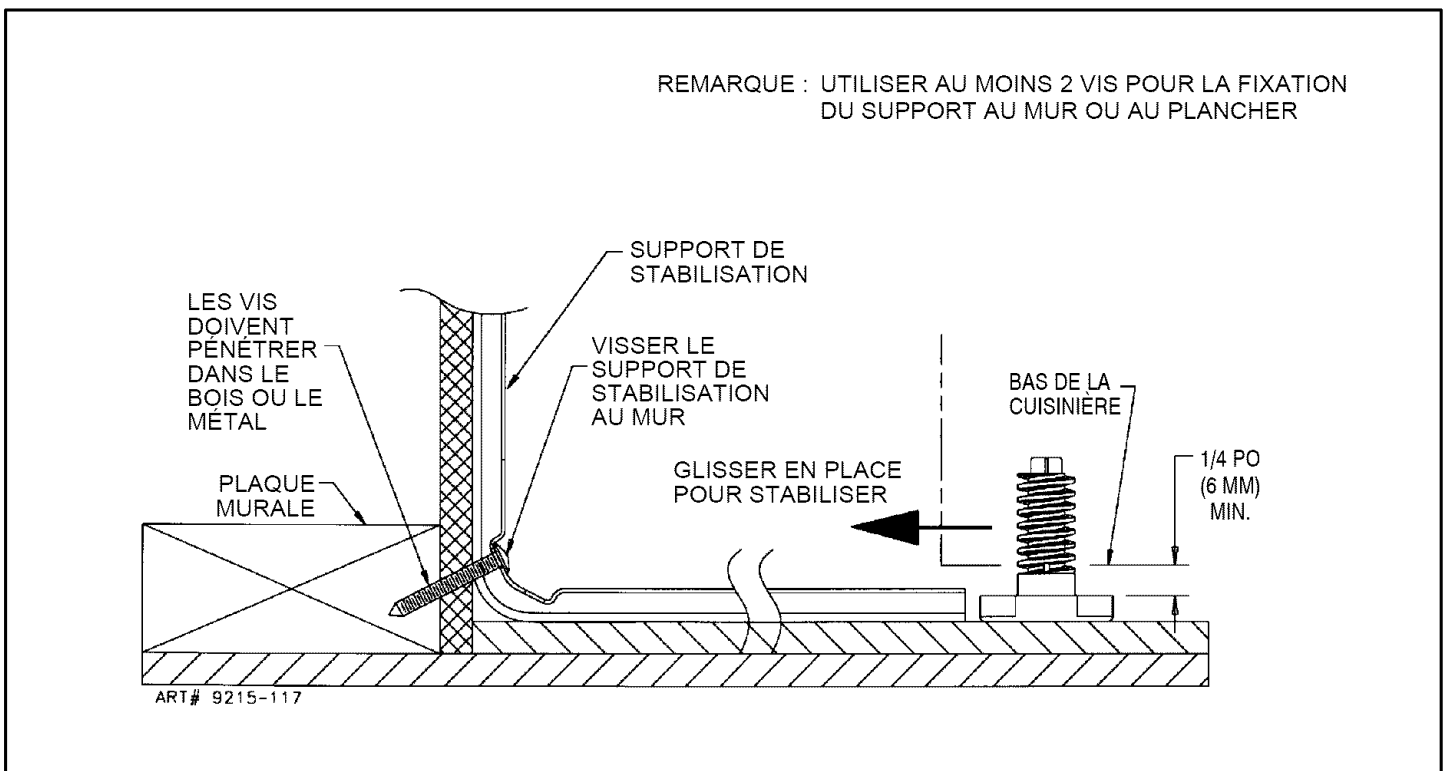


FIGURE 4

RACCORDEMENT DE LA CUISINIÈRE

ALIMENTATION ÉLECTRIQUE

Lors de la mise en service, la cuisinière doit être installée conformément aux normes NEC ANSI/NFPA n° 70-édition la plus récente du code d'électricité local et national. Voir la plaque signalétique de la cuisinière pour en connaître la puissance raccordée totale (en kW).

ALIMENTATION ÉLECTRIQUE (Canada)

Lors de la mise en service, la cuisinière doit être installée conformément aux normes ACN STD.C22.1 de l'édition la plus récente du code d'électricité canadien. Voir la plaque signalétique de la cuisinière pour en connaître la puissance raccordée totale (en kW).

RACCORDEMENT AU SECTEUR

La compagnie d'électricité locale vous indiquera si votre branchement est prévu pour fournir la puissance exigée par l'appareil. Il pourra être nécessaire d'augmenter la grosseur des câbles amenant l'électricité à la maison et au panneau de distribution électrique. La puissance électrique de la cuisinière (en kW) est spécifiée sur la plaque signalétique qui se trouve à l'avant de la cuisinière.

INSTALLATION ÉLECTRIQUE DE LA MAISON

La plupart des codes et règlements relatifs à la construction exigent que l'installation électrique d'une maison soit réalisée par un électricien qualifié. Le câblage doit être conforme aux codes d'électricité local et national. Cette cuisinière requiert un circuit alternatif monophasé trifilaire de 120/240 V ou 120/208 V et 60 Hz. Les codes exigent que la cuisinière soit dotée d'un circuit séparé partant du panneau de distribution électrique et que celui-ci soit protégé par un sectionneur et des fusibles, au niveau du panneau de distribution électrique ou dans un coffret électrique séparé. Dans certaines municipalités, une gaine blindée flexible ou rigide doit être utilisée entre le panneau de distribution électrique et le boîtier de raccordement se trouvant à l'arrière de la cuisinière. D'autres municipalités autorisent le branchement de la cuisinière sur une prise murale polarisée à trois ou quatre fils placée dans un endroit pratique près de l'arrière de la cuisinière. La cuisinière est branchée sur cette prise à l'aide d'une fiche à trois ou quatre broches avec cordon d'alimentation (spirale) homologué pour cuisinière solidement fixé au bornier de la cuisinière par une retenue mécanique appropriée.

CONNEXIONS DE LA CUISINIÈRE

Certains modèles ont un cordon d'alimentation (spirale) installé en usine. Dans ce cas, il n'y a aucune connexion à réaliser au niveau de la cuisinière. Il suffit de brancher la fiche dans la prise murale. D'autres modèles ne sont pas munis d'un cordon d'alimentation et dans ce cas, le raccordement à l'alimentation électrique de la maison est nécessaire. NE PAS OUBLIER - seul des cordons à quatre fils peuvent être utilisés avec les circuits de

dérivation nouvellement installés (NEC 1996), les maisons mobiles, les véhicules de loisir ou dans toute région où les codes locaux interdisent la mise à la terre par le neutre. Dans ce cas, une installation à 4 fils est OBLIGATOIRE. Une installation à 3 fils peut être utilisée si les codes locaux le permettent. UTILISER DES CONDUCTEURS EN CUIVRE OU EN ALUMINIUM. Le bornier est prévu pour des conducteurs en cuivre ou en aluminium. Si un cordon d'alimentation flexible est exigé, il est recommandé de ne pas utiliser de cordon d'une longueur supérieure à 4 pi. Réaliser les connexions tel qu'indiqué ci-dessous en se référant aux illustrations appropriées (voir les figures 6 et 7). Une fois l'installation effectuée, vérifier que toutes les connexions n'ont pas de jeu et remettre tous les couvercles.

Enlever le couvercle d'accès au bornier à l'arrière de la cuisinière (voir figure 5).

CONNEXIONS DE LA CUISINIÈRE (Canada)

Ce modèle est doté d'un cordon d'alimentation (spirale) installé en usine. Aucune connexion n'est nécessaire. Il suffit de la brancher. Voir la figure 2, page 16, pour l'emplacement des prises.

REMARQUE : Pour remplacer le cordon d'alimentation, utiliser **UNIQUEMENT** un cordon d'alimentation pour cuisinière calibré à 240 volts minimum et 40 ou 50 ampères prévue pour une utilisation avec une ouverture pour raccordement nominale de 1 3/8 po (35 mm) de diamètre et muni de serre-fils.

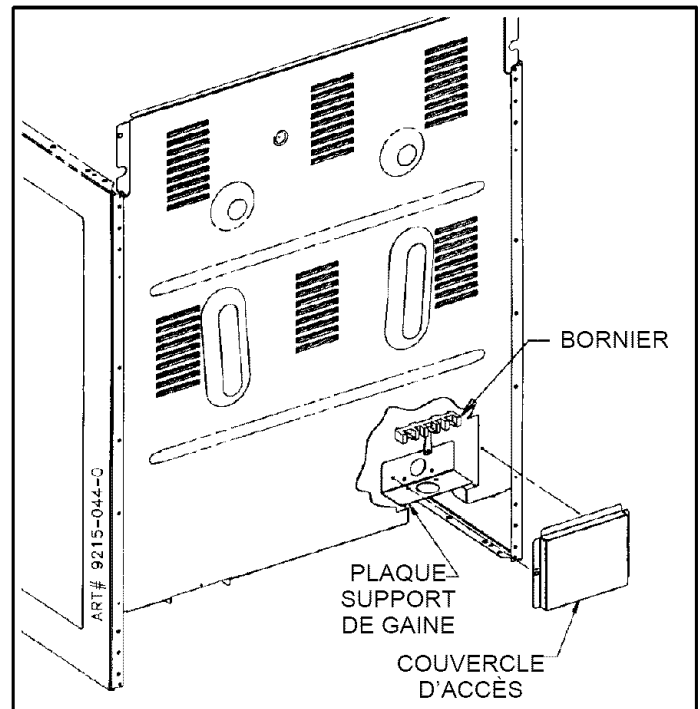


FIGURE 5

FIGURE 6

Pose d'un cordon d'alimentation ou d'une gaine à 3 fils

1. Vérifier que la barrette de mise à la terre en cuivre **EST CONNECTÉE** entre la borne du milieu du bornier et le châssis de la cuisinière.
2. Si du câblage nu en aluminium ou en cuivre est utilisé, attacher les cosses d'adaptation tel qu'indiqué à la figure 6. (Voir Connexion à fils nus.) Les couples sont indiqués ci-dessous.
3. Le fil du milieu du cordon d'alimentation ou le fil de masse de la gaine à trois fils **DOIT** être connecté à la borne neutre (celle du milieu) du bornier. Les deux autres fils du cordon sont connectés aux bornes des deux extrémités. La polarité n'a pas à être respectée. (Pour une connexion avec du fil nu, attacher le fil à la cosse correspondant tel qu'indiqué. Les couples sont indiqués ci-dessous).
4. Une retenue mécanique appropriée pour cordon d'alimentation ou gaine **DOIT** être fixée sur la plaque support de gaine.

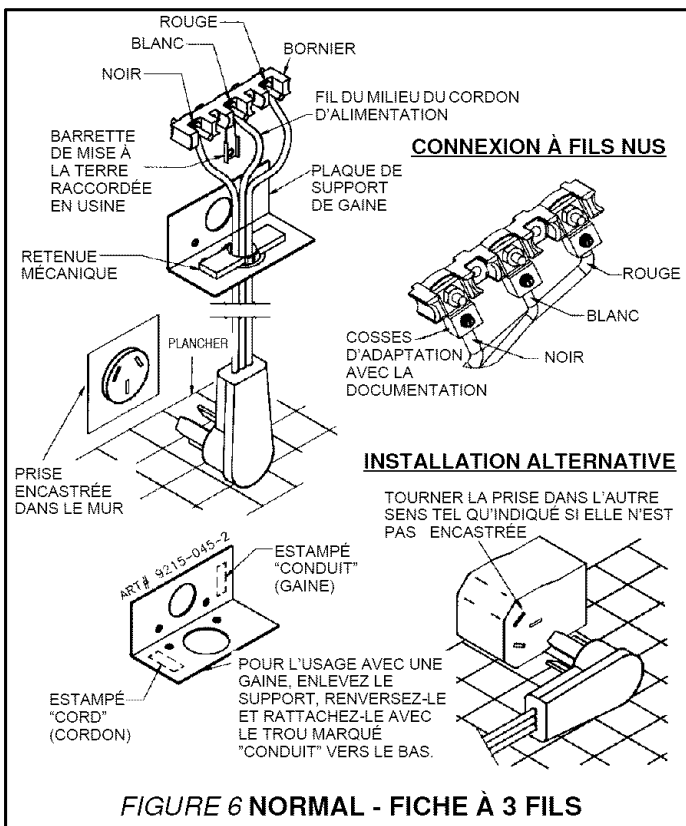


FIGURE 6 NORMAL - FICHE À 3 FILS

Conversion d'une installation à 3 fils à une installation à 4 fils

(Modèles amovibles avec cordon d'alimentation à 3 fils en place).

Débrancher la cuisinière du secteur. Enlever le couvercle du bornier se trouvant à l'arrière de la cuisinière et déconnecter le cordon d'alimentation à 3 fils du bornier. Suivre les instructions données à la figure 9 pour connecter le cordon à 4 fils.

REMARQUE : Pour remplacer le cordon d'alimentation, utiliser **UNIQUEMENT** un cordon d'alimentation pour cuisinière calibré à 240 V minimum et 40 ou 50 A prévu pour une utilisation avec une ouverture pour raccordement nominale de 1 3/8 po (35 mm) de diamètre et muni de serre-fils.

FIGURE 7

Pose d'un cordon d'alimentation ou d'une gaine à 4 fils

(maisons mobiles ou si les codes l'exigent)

1. La barrette de mise à la terre en cuivre reliant la borne neutre (celle du milieu) du bornier et le châssis **DOIT** être enlevée tel qu'indiqué à la figure 7. Garder la vis de mise à la terre verte pour fixer le fil de terre du cordon à 4 fils. Utiliser uniquement un cordon d'alimentation ou une gaine à 4 fils.
2. Si du câblage nu en aluminium ou en cuivre est utilisé, attacher les cosses d'adaptation tel qu'indiqué à la figure 7. (Voir Connexion à fils nus.) Les couples sont indiqués ci-dessous.
3. Le fil de terre du cordon d'alimentation ou de la gaine doit être relié au châssis de la cuisinière en utilisant la vis de mise à la terre verte.
4. Le fil blanc du cordon d'alimentation ou de la gaine doit être connecté à la borne neutre (celle du milieu) du bornier. Les deux autres fils du cordon sont connectés aux bornes de même couleur (rouge et noire) du bornier. (Pour une connexion avec du fil nu, attacher le fil à la cosse correspondant tel qu'indiqué. Les couples sont indiqués ci-dessous).
5. Une retenue mécanique appropriée pour cordon d'alimentation ou gaine **DOIT** être fixée sur la plaque support de gaine.

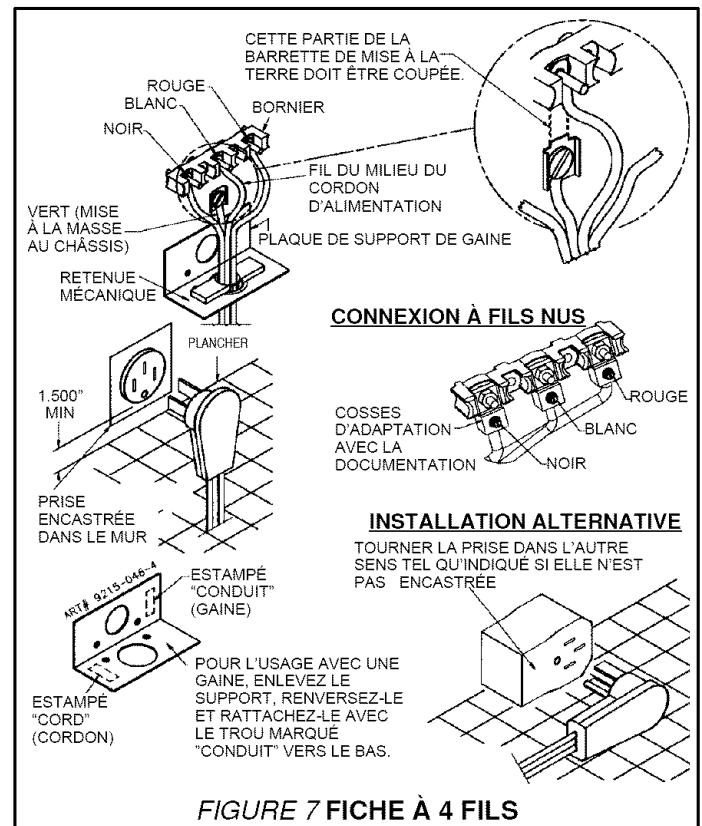


FIGURE 7 FICHE À 4 FILS

**SPÉCIFICATIONS DE COUPLE POUR FILS NUS
COSSE AU BORNIER - 20 PO-LB**

CÂBLE AWG	COUPLE DE
10 - 14	20 PO-LB
8	25 PO-LB
4 - 6	35 PO-LB