

HOOVER®

Central Vacuum Systems

Power Canisters

Owner's Manual

English → pp. 1-7

Français → p. 8-11



Thank you for selecting a HOOVER® product.

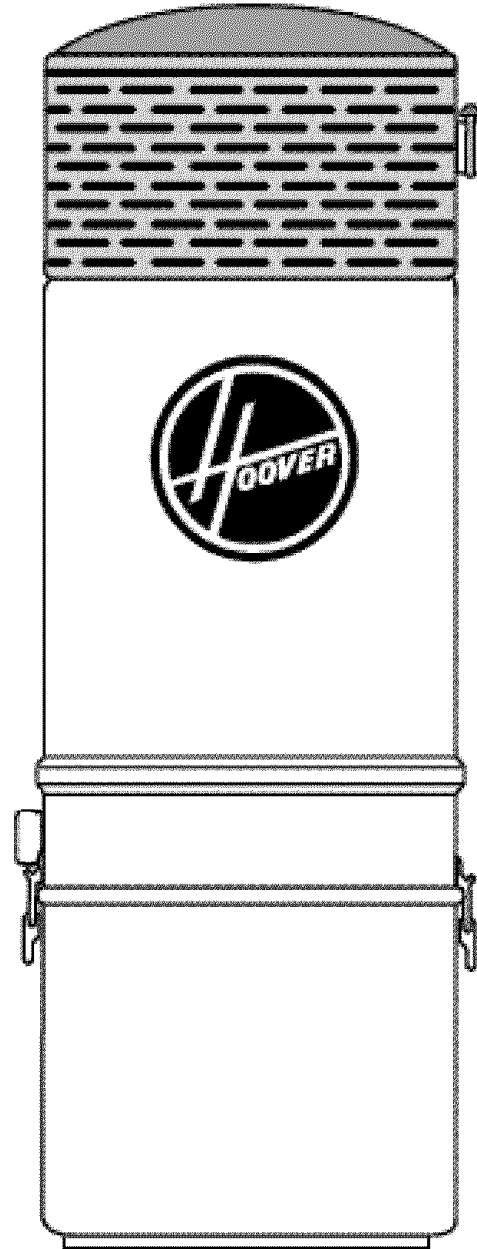
This cleaner was inspected and packaged carefully before being shipped from the factory. If you should happen to need assistance during assembly or operation, call

1-800-944-9200 for automated referral of authorized service outlet locations (U.S. only) OR

1-330-499-9499 to speak with a representative in our Consumer Response Center OR

Visit us on-line at www.hoover.com to find the service outlet nearest you (click on the "Service" button).

**PLEASE DO NOT RETURN THIS
PRODUCT TO THE STORE.**



**Review this manual before
operating cleaner.**

Fill in and retain

The HOOVER Central Vacuum System Power unit will be permanently mounted. For your records, please enter model and serial numbers in the spaces provided below and retain in a safe place.

Power Unit Model No. _____ Serial No. _____
(See side of power unit)

Attach your sales receipt to this owner's manual. Verification of purchase date may be required for warranty service.

Index

Canister description.....	3
Grounding instructions.....	3
How to use.....	4
Important safeguards.....	2
Maintenance.....	5
If you have a problem.....	5
Where and how to install the power unit.....	4



©2001 The Hoover Company
www.hoover.com

Important Safeguards!

When using an electrical appliance, always follow basic precautions, including the following:

READ ALL INSTRUCTIONS BEFORE USING THIS APPLIANCE

Warning:

To reduce the risk of fire, electric shock, or injury:

- Do not use on wet surfaces.
- Connect to a properly grounded outlet only. See "Grounding Instructions."
- Close supervision is necessary when any appliance is used by or near children. Do not allow cleaning system to be used as a toy or to run unattended at any time.
- Do not allow any objects to be put into wall inlets.
- Do not pick up anything that is burning or smoking, such as cigarettes, matches, or hot ashes.
- Do not use to pick up flammable or combustible liquids such as gasoline or fine wood sandings or use in areas where they may be present.
- Do not use without filter in place. Empty dust container and clean filter frequently when picking up very fine materials such as powder.
- Use extra care when cleaning stairs.
- Do not put any objects into openings. Do not use with any openings blocked: keep free of dust, lint, hair, and anything that may reduce air flow.
- Do not pull or carry by cord, use cord as a handle, close a door on cord or pull cord around sharp edges or corners. Do not run appliance over cord. Keep cord away from heated surfaces.
- Always disconnect cord from electrical outlet before servicing the power unit.
- Do not unplug by pulling on cord. To unplug, grasp the plug, not the cord. Never handle plug or appliance with wet hands.
- Unplug cleaner when not in use. Turn off all controls before unplugging.
- Do not use with damaged cord or plug. If appliance is not working as it should, has been dropped, damaged, left outdoors, or dropped into water, take it to a Hoover Factory Service Center or Authorized Hoover Warranty Service Dealer (Depot).
- Use vacuum cleaner only for its intended use as described in this owner's manual. Use only attachments recommended by The Hoover Company; others may cause hazards.

When using accessory kits, note these additional Safeguards:

- Do not use powered nozzle outdoors.
- Keep hair, loose clothing, fingers, feet and all parts of body away from openings, rotating agitator and any other moving parts. Do not operate nozzle in bare feet or when wearing open toe shoes or sandals.
- Disconnect hose from wall inlet and cord from electrical outlet when not in use and before servicing motorized nozzle.
- The hose contains electrical wires. Do not use if damaged, cut, or punctured. Avoid picking up sharp objects.
- Always disconnect cord from electrical outlet before connecting or disconnecting hose or motorized nozzle.

Save these instructions!

1. Assembly

Operate cleaning system only at voltage specified on power unit.

This system is intended for household use.

Grounding Instructions

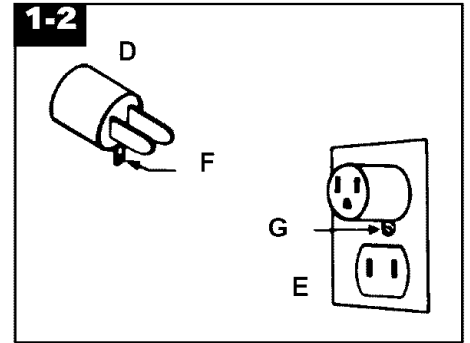
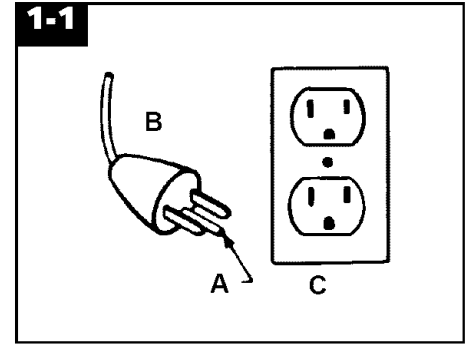
This appliance **must be grounded**. If it should malfunction or breakdown, grounding provides a path of least resistance for electrical current to reduce the risk of electric shock. This appliance is equipped with a cord having an equipment-grounding conductor (A) and grounding plug (B). The plug must be plugged into an appropriate outlet (C) that is properly installed and grounded in accordance with all local codes and ordinances.

DANGER-

Improper connection of the equipment-grounding conductor can result in the risk of electric shock. Check with a qualified electrician or service person if you are in doubt as to whether the outlet is properly grounded. **Do not modify the plug provided** with the appliance - if it will not fit the outlet, have a proper outlet installed by a qualified electrician. This appliance is for use on a nominal 120 volt circuit and has a grounding plug that looks like the plug illustrated in Fig. 1-1.

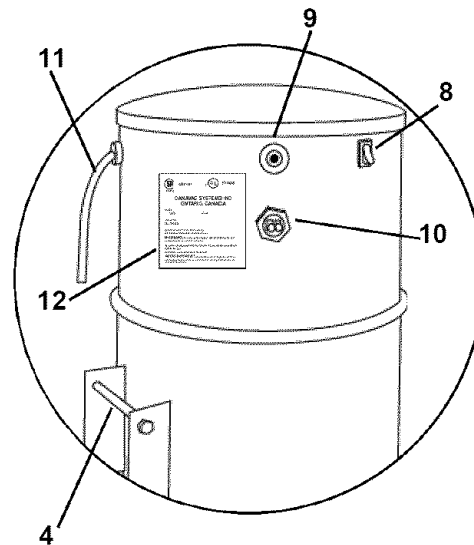
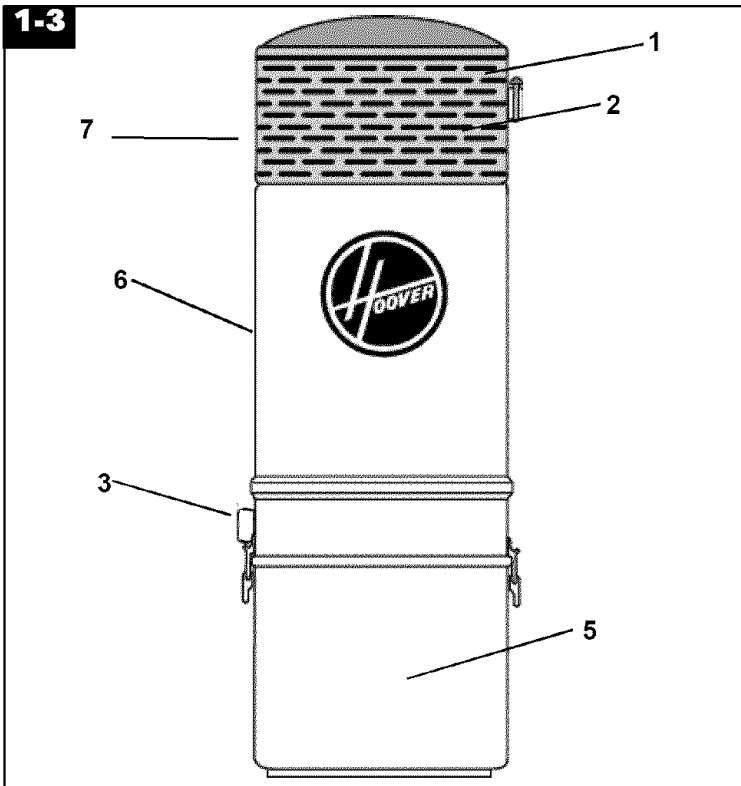
A **Temporary** adapter (D) may be used to connect this plug to a 2-pole receptacle (E) if a properly grounded outlet is not available. The **Temporary** adapter should be used only until a properly grounded outlet (C) can be installed by a qualified electrician. The green colored rigid ear (F), lug, or the like extending from the adapter must be connected to a permanent ground such as a properly grounded outlet box cover.

Whenever the adapter is used, it must be held in place by a metal screw (G).



NOTE: In Canada, the use of a temporary adapter is **Not Permitted** by the Canadian Electrical Code.

Description



1. Motor module
2. Motor exhaust
3. Pipe inlet
4. Mounting bar
5. Dust container (contains Mounting bracket - Fig. 2-1)
6. Filtration module
7. Controls (see 8-10)
8. ON-OFF switch
9. Over load protector
10. Low voltage receptacle (24 volt)
11. Power cord
12. Data label

2. Installation

Location for power canister

The Power Canister can be mounted in the basement, utility room, garage or any other remote area, except where exposed to weather, and convenient to an electrical outlet. The unit requires ventilation. **DO NOT** install in a heat producing or confined area such as the attic, furnace room, etc. If desired, the Power Canister can be exhausted to the outside.

The top of the Canister should be no less than 12" (30.5 cm) from the ceiling to allow proper cooling to the motor. For ease of removing the dust container, the bottom of the unit should be at least 6" (16 cm) above the floor.

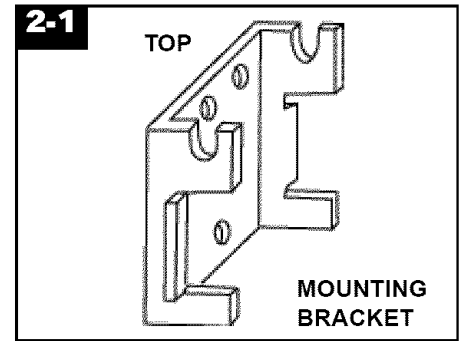
Central Vacuum Power Canisters require a separate/dedicated, 120 Volt, 60Hz., 20 Amp, 3 wire grounded power circuit, protected by a 120 Volt, 60 Hz., AC, 20 Amp time delay fuse or circuit breaker and a 120 Volt, 60 Hz., 20 Amp grounded receptacle.

If a 120 volt, 60 Hz., 20 Amp grounded receptacle is not available, have a qualified electrician install one for you. The

receptacle should be no more than 5 feet (152 cm) from the Power Canister. **UNDER NO CIRCUMSTANCES SHOULD AN EXTENSION CORD BE USED WITH THIS CANISTER.**

Mounting the power canister

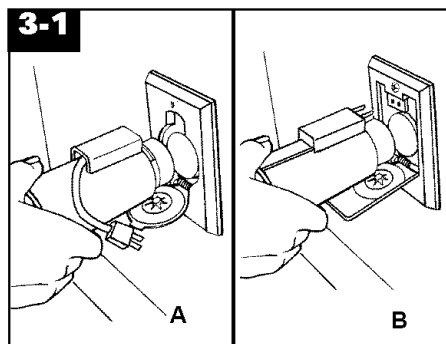
- 1) Determine if the wall you will be mounting the Canister to is block, concrete, or plaster/drywall.
- 2) **Block or Concrete Wall**
You will need (2) 1-1/2" (3.8 cm) x 1/4" (.64 cm) lead plugs and (2) 1-1/2" (3.8 cm) x 1/4" (.64 cm) lag bolts. Drill a 1/2" (1.3 cm) dia. x 1-3/4" (4.4 cm) deep hole with a masonry drill bit. Insert a lead plug into the hole.
Mount the bracket (Fig. 2-1) from a top hole with a lag bolt. Mark the other upper hole of the bracket. Make sure that the bracket is straight. Slide the bracket away from the mark and drill a hole directly over the mark. Insert a lead plug into the hole. Align the bracket over the hole and tightly fasten with a lag bolt. Continue to 4).
- 3) **Drywall or Plaster Wall**
You will need (2) 1-1/2" (3.8 cm) x 1/4" (.64 cm) wood screws. Locate a stud and drill a 1/8" (.32 cm) dia. x 1-3/4" (4.4 cm) pilot hole. Mount the bracket from a top hole with a wood screw. Make sure that the bracket is straight. Drill a second pilot hole using a lower hole on the bracket and fasten tightly with the other wood screw.
- 4) Mount the Power Canister on the bracket making sure the bar on the back of the machine is settled to the bottom of the slots on the mounting bracket. The wall mounting bracket must fit between the two brackets on the back of the central vacuum.



- 5) Route the intake tubing to the Canister.
- 6) Insert the tubing into the Canister inlet.
- 7) Tighten the inlet connection with the 3" (7.6 cm) gear clamp. (Do not cement pipe to plastic inlet port.)
- 8) Connect tubing to the exhaust (right hand side near top of unit) and vent outside (not necessary if unit is in garage). Tighten the exhaust connection with the clamp. (Do not cement pipe to plastic exhaust port.)
- 9) Connect the 24 Volt wires coming from the wall valves into the 24 Volt receptacle on the machine.
- 10) Plug the power cord in.
- 11) Assuming that the wall inlet valves are connected, the system is now ready.

3. How to use

To start your Power Canister, simply plug your hose end into any wall inlet valve. Both types of wall valves (Standard (A) - Corded Hose; Electrified (B) - Cordless Hose) are shown in Fig 3-1.



If you have a hose without switches, the Power Canister will start as soon as the hose is inserted into the wall valve.

If you have a hose with a switch, then the Power Canister can be turned ON or OFF with the switch.

The Power Canister can also be turned ON and OFF with the switch found on the upper section of the motor module.

Check the System

Check each connection for proper seal and that no air leaks occur. If one is present, you may hear a "hissing" sound. Correct if present.

Check each inlet valve for air leaks. Start the system by plugging the hose into each valve to make sure it functions properly. Your Central Vacuum Cleaning System is now ready for your use.

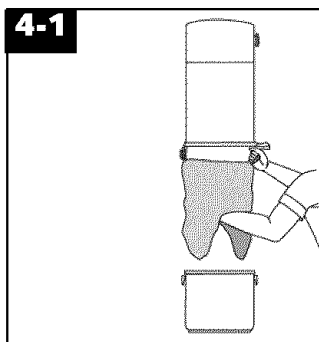
4. Maintenance

Disconnect cord from electrical outlet before cleaning filter.

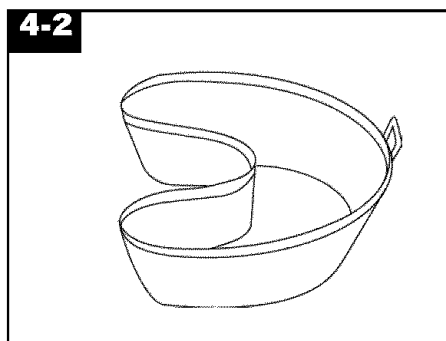
The only maintenance your Power Canister requires is emptying the dust container as required and periodically cleaning the filter.

To clean the filter:

- 1) Remove the dirt container by unlatching the latches located on each side of the dirt container.
- 2) Place a plastic grocery bag over the dacron/cloth filter and around the cyclonic deflector that surrounds the filter.
- 3) Using the plastic bag as hand protection from dirt particles, shake the filter to cause any particles adhering to the filter to fall into the bag. (Fig. 4-1)
- 4) Replace the dirt container and secure latches.



- 5) If the cloth filter needs to be removed, grasp the tab and pull towards the middle of the unit in order to remove.



- 6) To replace the cloth filter, you must decrease the circumference of the filter by pulling one side of the filter towards the center of the filter to create a "V" or "U" shape (see Fig. 4-2).
- 7) Place the filter back into the unit and let the filter snap outward into the groove.

IMPORTANT

Make sure the cloth filter is fitting properly into the groove so it will not come out when the machine is turned on. Failure to do so could void your warranty.

If you have a problem

If a minor problem develops, it usually can be remedied quite easily when the cause is found by using the check list below.

Problem: Cleaner won't run

Possible cause

Possible solution

- **Not firmly plugged in**
- Plug in firmly
- **No voltage in wall plug**
- Check fuse or breaker
- **Blown fuse/tripped breaker***
- Replace fuse/reset breaker

* If your unit does not start after resetting the breaker, check the telephone book for a HOOVER COMPANY listing; or consult the Yellow Pages of your Telephone Directory for the nearest location where approved service and genuine HOOVER replacement parts may be obtained. For service under warranty, follow the instructions in the warranty provided with this product.

Always identify your cleaner by model number when requesting information or ordering replacement parts.

- **Low voltage circuit incorrectly installed**
- Short low voltage terminals at power unit, if unit starts, there is a problem with the low volt circuit.
- **Defective wall valve**
- Insert the hose into another inlet valve. If unit turns on, the inlet valve may be defective. Replace inlet valve.
- **Problem with low voltage circuit**
- Turn on central vacuum with ON/OFF switch located on the unit.

If the unit starts, the problem is in the wiring to the inlet valve, the 24 Volt transformer or the relay. Contact your local Hoover Factory Service Center.

Problem: Suction low

Possible cause

Possible solution

- **Filter dirty**
- Clean filter
- **Obstruction in hose, piping or cleaning tools**
- Determine if the blockage is in the hose or piping by inserting hose in an inlet valve. Check to see if there is any suction at another inlet valve by opening the cover. If there is, plug the hose into the second wall valve and feel the end of the hose to see if there is regular suction.

If the blockage is in the hose, insert a long blunt item, such as a broom handle, to clear the blockage.

If the blockage is in the pipe, insert hose into wall valve and place hand over end of hose to cut off air flow. Place your hand on and off the end of hose rapidly several times. If this does not clear the blockage, contact your local Hoover Factory Service Center.

Check tools, wands, etc. for blockages.

- **System tubing and/or wall valves incorrectly installed**
 - Check to make sure all inlet valves are properly closed.
 - **Dirt container full or mispositioned**
 - Check to see if the dirt container needs to be emptied.
- Check to see if the dirt bucket is properly positioned and securely clamped shut.