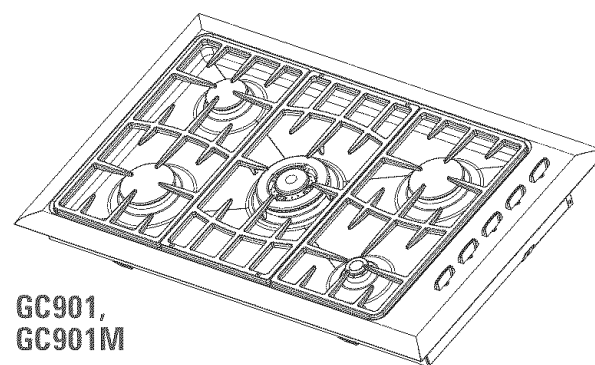


**GC36**



**GC901,  
GC901M**

## **US** INSTALLATION INFORMATION

- 2** WARNINGS and SAFETY INFORMATION
- 3** DIMENSIONS and CLEARANCES
- 4** INSTALLATION INSTRUCTIONS

## **FR** INFORMATIONS SUR L'INSTALLATION

- 8** AVERTISSEMENTS et INFORMATIONS SUR LA SECURITE
- 9** DIMENSIONS et DEGAGEMENTS
- 10** INSTRUCTIONS D'INSTALLATION

## **ES** INFORMACION SOBRE LA INSTALACION

- 14** ADVERTENCIAS e INFORMACION SOBRE SEGURIDAD
- 15** DIMENSIONES y DISTANCIAS DE SEPARACION
- 16** INSTRUCCIONES DE INSTALACION

## WARNINGS AND SAFETY INFORMATION

### WARNING!

- This appliance shall be installed in accordance with the installation requirements of the local gas authority or the appropriate installation code or in the absence of local codes with the latest National Fuel Gas Code ANSI Z223.1 or CAN B149.1,2(Canada). Local building and electrical codes must be adhered to.
- When this appliance is installed it shall not be used as a space heater.
- No combustible material or products should be placed on this appliance at any time.
- Do not spray aerosols in the vicinity of this appliance while it is in operation.
- Not to be installed in a bathroom or bedroom/sleeping quarters.
- Flexible appliance connectors shall meet the requirements of ANSI Z21.24 and State Boards. They shall not exceed 36 inches in length.

### CAUTION!

- In order to avoid hazard these products must be installed according to these instructions.
- This product should not be sealed into the bench with silicone or glue. This will make any future servicing difficult. Fisher & Paykel will not be liable for costs associated with releasing such products, nor for damage incurred as a result.

### IMPORTANT!

- This product must be installed by an authorized person (**WARNING** this product must be installed by a licensed plumber or gas fitter when within the Commonwealth of Massachusetts)
- Please leave these instructions with the appliance. Inform the customer to retain for future reference.
- This product is supplied with an additional label containing the model and serial numbers. It may be affixed to the underside of the product, the inside of a cupboard or to the User Guide.

### ⚠ WARNING

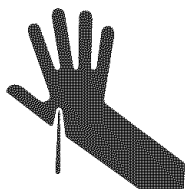


#### Electrical Shock Hazard

**Disconnect power before servicing the product.**

**Failure to do so could result in death or electrical shock.**

### ⚠ WARNING



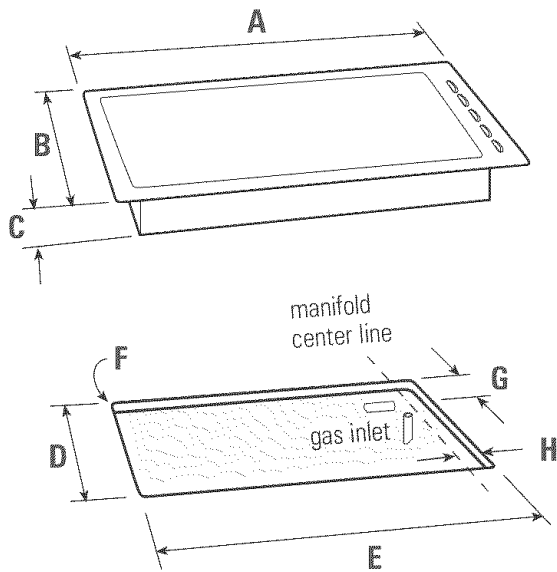
#### Cut Hazard

**Beware of sharp edges.**

**Use the polystyrene ends when carrying the product.**

**Failure to use caution could result in minor injury or cuts.**

PRODUCT AND CUTOUT DIMENSIONS

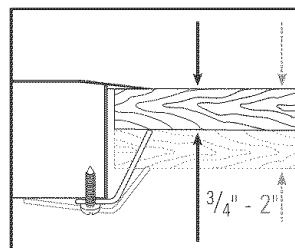


	GC36	GC901/GC901M
<b>A</b>	36" (914mm)	36" (914mm)
<b>B</b>	21" (533mm)	21½" (546mm)
<b>C</b>	1⅝" (41.5mm)	2 <sup>9</sup> / <sub>16</sub> " (65mm) GC901, 3" (76mm) GC901M
<b>D</b>	19½" (494mm) [18 <sup>3</sup> / <sub>8</sub> " - 19 <sup>3</sup> / <sub>4</sub> "]	19½" (494mm) [19 <sup>1</sup> / <sub>8</sub> " - 20 <sup>5</sup> / <sub>8</sub> "]
<b>E</b>	34¼" (870mm) [33 <sup>3</sup> / <sub>8</sub> " - 34 <sup>3</sup> / <sub>4</sub> "]	34¼" (870mm) [33 <sup>7</sup> / <sub>8</sub> " - 35¼"]
<b>F</b>	R <sup>3</sup> / <sub>8</sub> " (10mm)	R <sup>3</sup> / <sub>8</sub> " (10mm)
<b>G</b>	1 <sup>3</sup> / <sub>16</sub> " (30mm)	¾" (20mm)
<b>H</b>	1" (25mm)	1" (25mm)

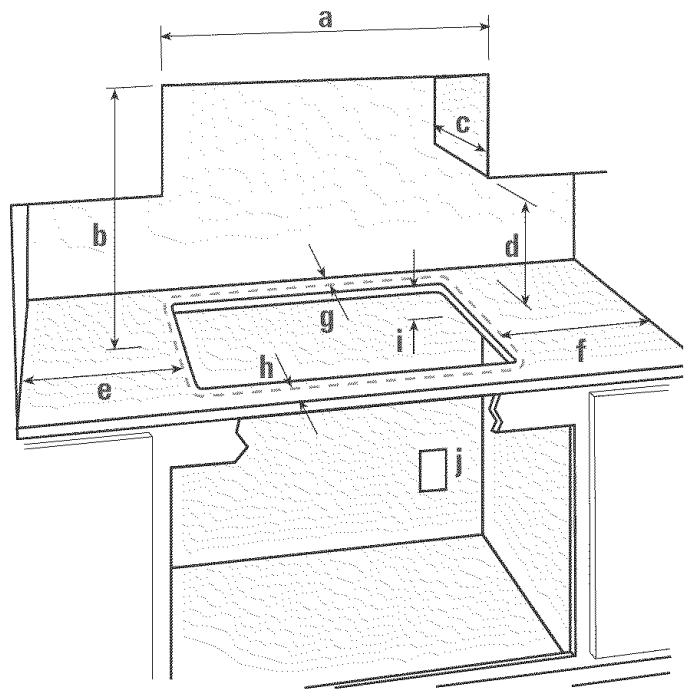
CLAMPING DOWN THE COOKTOP

Place the cooktop into the cutout and tighten it with the supplied clamps. These will cope with the countertop thicknesses ¾" - 2" when used in the two orientations shown.

**Do not over tighten.**



CLEARANCES



- a** 36" = Minimum horizontal distance between overhead cabinets installed on either side of this appliance.
- b** 30" = Minimum clearance from combustible surface centered above the cooktop.
- c** 13" = Maximum overall depth of overhead cabinetry.
- d** 18" = Minimum clearance from countertop to overhead cabinetry.
- e** 4" (GC36) or 1½" (GC901 & GC901M) = Minimum clearance from cooktop to the left side wall.
- f** 1" = Minimum clearance from cooktop to the right side wall.
- g** 1½" (GC36) or 1¼" (GC901 & GC901M) = Minimum clearance from cooktop to the rear wall.
- h** 2½" (GC36) or 1¼" (GC901 & GC901M) = Minimum distance from front edge of counter to front edge of appliance. Where this reduces the distance between the back edge of the appliance and the adjacent wall to less than the minimum of 1½" (GC36) or 1¼" (GC901 & GC901M), this wall must be of non combustible material (see note below).
- i** 2<sup>3</sup>/<sub>8</sub>" (GC36) or 3<sup>5</sup>/<sub>16</sub>" (GC901 & GC901M) = Minimum clearance below countertop to any combustible surface.
- j** 30" = Maximum distance to nearest grounded power outlet from the center of the cooktop. The power cord must not touch any hot metal surfaces.

NON COMBUSTIBLE MATERIAL

Recommended non combustible materials are: ¼" (6mm) flame retardant millboard covered with not less than No. 28 MSG sheet steel, 0.015" (0.4mm) stainless steel, 0.024" (0.6mm) aluminium or 0.020" (0.5mm) copper.

# INSTALLATION INSTRUCTIONS

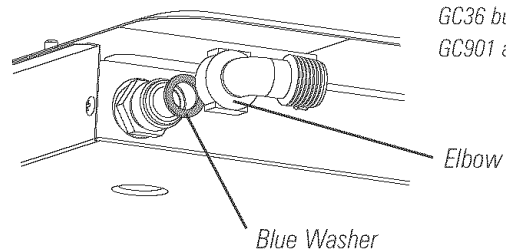
## BEFORE YOU START

- Ensure the countertop is square and level and ensure no structural members interfere with space requirements.
- Ensure that there is a power supply receptacle (110-120V 60Hz) within reach of the cooktop power cord (30" from the middle of the product). The main cable should not touch any hot metal parts.
- Make sure the cooktop is connected to a power supply socket that is electrically grounded in accordance with local codes or in the absence of local codes, with the National Electric Code ANSI/FPA 70 or CSA 22.2 (Canada).
- Make sure the countertop is made of a heat resistant material.
- We recommend that the exposed bare wood edges of the cutout be sealed with an oil based paint or moisture proof polyurethane to prevent possible damage from moisture creeping between the cooktop trim and the benchtop.
- We recommend using easy-to-clean finishes for the wall surfaces surrounding the cooktop to aid removal of any cooking stains resulting from use of the cooktop.

## GAS SUPPLY CONNECTION

- This appliance can be used with either LP gas or Natural gas and is **factory set for use with Natural gas**.
- A manual shut-off valve must be installed in an accessible location in the gas line external to the appliance for the purpose of turning on or shutting off gas to the appliance. (In Massachusetts such shutoff devices should be approved by the Board of State Examiners of Plumbers & Gas Fitters).
- Gas connection to the product must use the elbow supplied with a 1/2" NPT external thread.
- **Ensure the blue washer (supplied) is located between the elbow and the product inlet. Failure to use this will cause a gas leak.**

*(Note: this diagram is of GC36 but is similar for GC901 and GC901M).*



- For use with a gas pressure regulator. **The regulator supplied can be set for either LP gas or Natural gas and must be used with this appliance.** It has a 1/2" NPT thread.

## PARTS CHECKLIST

- Gas Cooktop base unit
- Literature pack (includes LPG kit)
- Elbow & blue washer (taped to power cord)
- Clamping brackets & screws (GC36-on base unit)
- Regulator (in Polystyrene)
- Burner heads and caps (check polystyrene carefully before discarding)
- 3 x Burner grates/trivets (1 x center, 2 x outer)
- Accessories pack

## TOOLS NEEDED

- Phillips No. 2 screwdriver
- Plumbing fittings as required
- Woodworking tools as required
- Shut-off valve
- Oil based paint (for sealing cutout)

### For LP Conversion

- Ø 7/64" x 1 3/4" (Ø2.5 x 45mm) flat screwdriver
- 9/32" (7mm) box spanner

### For GC901M LP Conversion

- Ø 7/64" x 1 3/4" (Ø2.5 x 45mm) flat screwdriver
- Phillips No. 1 screwdriver
- 9/32" (7mm) box spanner
- 13/32" (10mm) ring spanner

## CONVERTING THE REGULATOR BETWEEN NG & LP

- 1 Unscrew the cap from the regulator.
- 2 Check the orientation of the plastic conversion plug, and if necessary, unscrew, turn over and screw back in (wide section away from cap for LP and against cap for NG - see diagram below for appropriate orientation).
- 3 Replace regulator cap.
- 4 Test gas pressure (test point provision on side of regulator). When converting the regulator for different settings, the function of the regulator must be checked at a pressure at least 1" WC (0.036 p.s.i.) above the specified manifold pressure.



**CONVERSION TO A DIFFERENT GAS TYPE**

Burners can be used with NG or LPG, provided that the injector orifices appropriate for the gas delivered are installed.

High altitude orifices are available from Fisher & Paykel USA.

**GC36** NG Kit Part No. 530463

LP Kit Part No. 530464


**GC901/M** NG Kit Part No. 531566

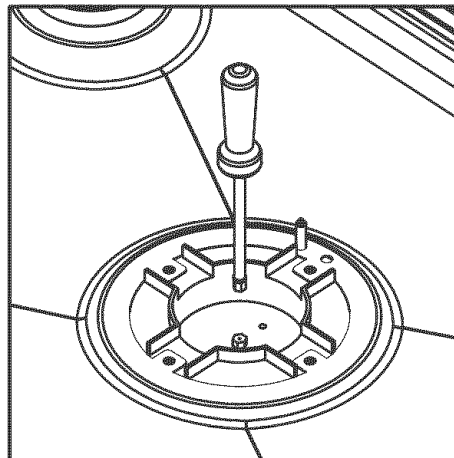
LP Kit Part No. 531567

To change the injector orifices, you will need a  $\frac{9}{32}$ " (7mm) box spanner and a  $\frac{13}{32}$ " (10mm) ring spanner (CG901M only).

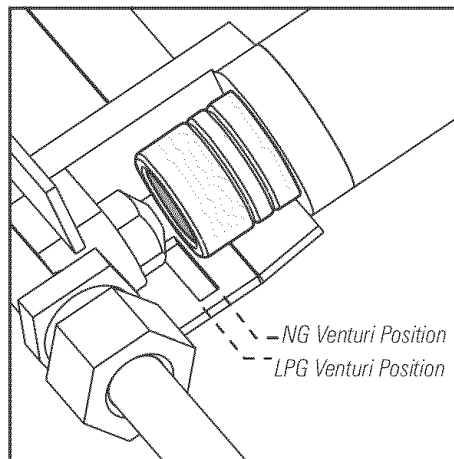
- 1** Turn off the main electrical supply.
- 2** Ensure all gas valves are turned off.
- 3** Remove all trivets and burner heads.
- 4** Pull off knobs.
- 5** Remove the 2 screws holding each burner (3 on the wok burner).
- 6** Partially lift the hob and unplug the electrode on the mini-auxiliary burner to allow hob removal. *Beware of sharp edges.*
- 7** Unscrew the orifices and replace them with the correct ones. (size numbers are stamped on the side, eg. 70= 0.70mm) (see figure 1).
- 8** Reset the venturi position aligning the end of the venturi tube with the edge of the slot in the bracket below it. Outermost position for LPG, innermost for NG (see figure 2). Some fine adjustment may be required for local conditions.
- 9** To replace the CG901M hob, repeat steps 3-6 in reverse.
- 10** Reset the minimum setting. See 'Minimum Setting' overleaf.

The label supplied with the orifices should be placed over the existing gas type label to indicate the change.

<b>⚠ WARNING</b>	
	<b>Electrical Shock Hazard</b>
	<b>Disconnect power before servicing the product.</b>
	<b>Failure to do so could result in death or electrical shock.</b>



**Changing the Orifice** figure 1



**Venturi Position** figure 2

CG901M only

CG901M only

# INSTALLATION INSTRUCTIONS

## LEAK TESTING

- Leak testing of the appliance shall be conducted according to the manufacturer's instructions.
- The appliance and its individual shutoff valve must be disconnected from the gas supply piping system during any pressure testing of that system in excess of 1/2 p.s.i. (3.5kPa).
- The appliance must be isolated from the gas supply piping system by closing its individual manual shutoff valve during any pressure testing of the gas supply piping system at test pressures at or less than 1/2 p.s.i. (3.5kPa).
- Maximum inlet gas supply pressure 4" W.C. Natural Gas, 11" W.C. LP gas.
- Minimum gas supply pressure for regulator testing 5" W.C. Natural Gas, 12" W.C. LP gas.

After installing the gas supply and making all connections check thoroughly for possible leaks.

- 1** Turn all control knobs on unit to "off" position.
- 2** Open the valve on the gas supply.
- 3** Using a leak detection fluid (e.g. Rocol leak detection spray) check each gas connection one at a time by brushing the solution over the connection. The presence of bubbles will indicate a leak.
- 4** If necessary, tighten the fitting and recheck for leaks.
- 5** Turn on burner valve and light each burner.
- 6** Check for a clear blue flame without yellow tipping. If burners show any abnormalities, check that they are located properly and in line with the injector orifice.

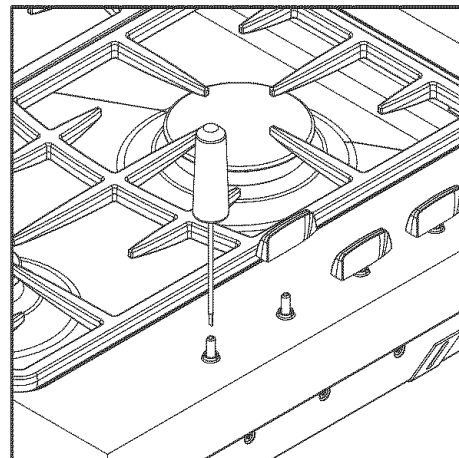
## MINIMUM SETTING OR TURNDOWN

This has been set at the factory for NG but can be checked after the correct pressure has been reached. To adjust for minimum setting (if applicable), you will need a  $\varnothing 7/64$  " x  $1 3/4$ " ( $\varnothing 2.5$  x 45mm) screwdriver. (A suitable screwdriver is available as Fisher & Paykel spare part. FB200467).

- 1** Ignite the burner and set the knob to its minimum position.
- 2** Remove the knobs.
- 3** Rotate the turn down screw (down the hole in the spindle) while holding the shaft. Rotate slowly until a minimum regular flame is achieved. (The flame will diminish when the screw is turned clockwise and increase when turned counter clockwise).
- 4** When the setting is right check regulation by quickly rotating the knob from the maximum to the minimum delivery position. The flame must not go out and the autoreignition should not click. Replace the knob.

### Minimum setting adjustment

*(Note: this diagram is of GC901 but is similar for GC36).*



See the Product Installation Checklist attached to the product.

CHECKING THE GAS TYPE

**GC36**

<b>Burners</b>	<b>NG Orifice (mm)</b>	<b>NG BTU (MJ/h)@ 0.15psi (4"H<sub>2</sub>O)</b>	<b>LP Orifice (mm)</b>	<b>LP BTU (MJ/h)@ 0.41psi (11"H<sub>2</sub>O)</b>
RH Rear	1.3mm	8,000 (8.4 MJ/h)	0.8mm	8,000 (8.4 MJ/h)
LH Rear	1.3mm	8,000 (8.4 MJ/h)	0.8mm	8,000 (8.4 MJ/h)
RH Front Simmer	0.85mm	3,500 (3.47 MJ/h)	0.55mm	4,000 (4.2 MJ/h)
LH Front Wok	1.75mm	12,600 (13.3 MJ/h)	1.05mm	13,000 (13.7 MJ/h)
Center	1.45mm	9,500 (10 MJ/h)	0.85mm	9,500 (10.0 MJ/h)

**GC901 / GC901M**

<b>Burners</b>	<b>NG Orifice (mm)</b>	<b>NG BTU (MJ/h)@ 0.15psi (4"H<sub>2</sub>O)</b>	<b>LP Orifice (mm)</b>	<b>LP BTU (MJ/h)@ 0.41psi (11"H<sub>2</sub>O)</b>
RH Rear	1.3mm	8,000 (8.4 MJ/h)	0.8mm	8,200 (8.7 MJ/h)
LH Rear	1.1mm	5,800 (6.1 MJ/h)	0.7mm	5,700 (6.0 MJ/h)
RH Front Simmer	0.85mm	3,000 (3.2 MJ/h)	0.55mm	3,500 (3.7 MJ/h)
LH Front	1.3mm	8,000 (8.4 MJ/h)	0.8mm	8,200 (8.7 MJ/h)
Center (GC901)	1.75mm	14,000 (14.8 MJ/h)	1.05mm	13,000 (13.7 MJ/h)
Center (GC901M)	2.15mm	20,000 (21.1 MJ/h)	1.22mm	19,000 (20 MJ/h)

**CONTACT DETAILS**

A Service Summary is attached to the underside of the product.

For replacement parts or if further help is needed concerning this appliance call:

**Toll Free** 1 888 9 FNP USA (1 888 936 7872)

or write to:

**Fisher & Paykel Appliances Inc.**

**27 Hubble, Irvine**

**CA 92618**

or contact us through our web site,

**www.usa.fisherpaykel.com**

