

## Use & Care Guide

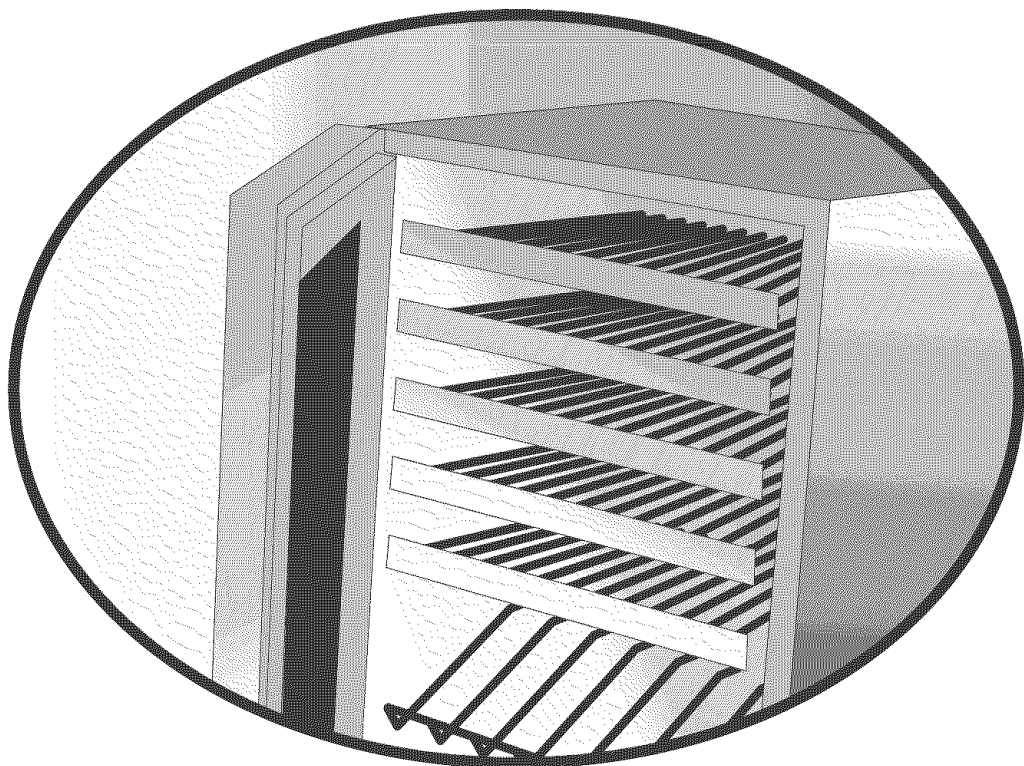
Wine Cooler

## Guía de Uso y Cuidado

Wine Cooler

## Guide d'utilisation et d'entretien

Wine Cooler



 **Electrolux**

# 2 Finding Information

## PLEASE READ AND SAVE THIS GUIDE

Attach your sales receipt to this page for future reference.

Thank you for choosing **Electrolux**, the new premium brand in home appliances. This *Use & Care Guide* is part of our commitment to customer satisfaction and product quality throughout the service life of your new wine cooler.

We view your purchase as the beginning of a relationship. To ensure our ability to continue serving you, please use this page to record key product information.

### IMPORTANT

**PLEASE READ** all instructions completely before attempting to install or operate the unit.

All wine coolers require a connection to an electrical power source. Improper hook-up can result in a safety hazard and potential damage to the product or contents! Proper installation, in accordance with the manufacturer's specifications and all local codes, is the sole responsibility of the consumer. The manufacturer is not responsible for any installation expenses or damages incurred due to improper installation. If you are unsure of your ability to safely connect electric power to the unit, consult a licensed and insured professional to perform all electrical work.

Once you have your unit installed, we suggest you keep this manual in a safe place for future reference. Should any problems occur, refer to the **Troubleshooting** section of this manual. This information will help you quickly identify a problem and get it remedied. In the event you require assistance, please contact the dealer where you purchased your unit.

## MAKE A RECORD FOR QUICK REFERENCE

Whenever you call to request information or service, you will need to know your model number and serial number. You can find this information on the serial plate located on the inside wall of your unit and on the product registration card.

## PRODUCT REGISTRATION CARD

The package containing this manual also includes your product registration information. Warranty coverage begins at the time your Electrolux wine cooler was purchased.

### NOTE

Registering your product with Electrolux enhances our ability to serve you. You can register online (at the Internet address below) or by dropping your Product Registration Card in the mail. Complete and mail the Product Registration Card as soon as possible to validate the registration date.

Please record the purchase date of your Electrolux unit and your dealer's name, address and telephone number.

\_\_\_\_\_

Purchase Date

\_\_\_\_\_

Electrolux Model Number

\_\_\_\_\_

Electrolux Serial Number

\_\_\_\_\_

Dealer Name

\_\_\_\_\_

Dealer Address

\_\_\_\_\_

Dealer Telephone

Keep this manual and the sales receipt together in a safe place for further reference.

## QUESTIONS?

For toll-free telephone support in the U.S. and Canada:  
**1-877- 4ELECTROLUX (1-877-435-3287)**

For online support and Internet product information:  
**[www.electroluxusa.com](http://www.electroluxusa.com)**

## TABLE OF CONTENTS

<b>Finding Information</b> .....	2	<b>Start-up</b> .....	18
Please Read And Save This Guide .....	2	<b>Temperature Control</b> .....	18
Make A Record For Quick Reference .....	2	<b>Storage</b> .....	20
Questions? .....	3	Display Rack .....	20
Table Of Contents .....	4	Stocking Recommendations .....	20
<b>Safety</b> .....	5	<b>Maintenance</b> .....	21
Important Safety Instructions .....	5	Maintaining Your Wine Cooler .....	21
<b>Installation</b> .....	7	Exterior Cleaning .....	21
<b>Site Preparation</b> .....	7	Stainless Steel .....	21
<b>Wood Trim</b> .....	9	Interior Cleaning .....	22
<b>Leveling</b> .....	11	Condenser Cleaning .....	22
<b>Door Reversal</b> .....	12	Wine Rack Removal/Installation .....	23
<b>Door Adjustment</b> .....	14	Bulb Replacement .....	23
<b>Built-in Installation</b> .....	16	<b>Troubleshooting</b> .....	24
<b>Operation</b> .....	17	If Service Is Required .....	24
The Right Temperature for Wine .....	17	<b>Warranty Information</b> .....	26
Proper Storage .....	17		
Control Settings .....	17		
Light Switch and Bulb .....	17		




## IMPORTANT SAFETY INSTRUCTIONS

---

### Safety Precautions

Do not attempt to install or operate your unit until you have read the safety precautions in this manual. Safety items throughout this manual are labeled with a Danger, Warning or Caution based on the risk type.

### Definitions

 This is the safety alert symbol. It is used to alert you to potential personal injury hazards. Obey all safety messages that follow this symbol to avoid possible injury or death.

#### **DANGER**

**DANGER** indicates an imminently hazardous situation which, if not avoided, will result in death or serious injury.

#### **WARNING**

**WARNING** indicates a potentially hazardous situation which, if not avoided, could result in death or serious injury.

#### **CAUTION**

**CAUTION** indicates a potentially hazardous situation which, if not avoided, may result in minor or moderate injury.

#### **IMPORTANT**

Indicates installation, operation or maintenance information which is important but not hazard related.

# 6 Safety

---

## General Precautions

### **DANGER**

**RISK OF CHILD ENTRAPMENT.** Before you throw away your old appliance, take off the doors and leave shelves in place so that children may not easily climb inside.

### **WARNING**

- Never attempt to repair or perform maintenance on the unit until the electricity has been disconnected.
- Altering, cutting of power cord, removal of power cord, removal of power plug, or direct wiring can cause serious injury, fire and/or loss of property and/or life and will void the warranty.
- Do not lift unit by door handle.

### **CAUTION**

- Failure to clean the condenser every three months can cause the unit to malfunction. This could void the warranty.
- Use care when moving the unit. Some edges are sharp and may cause personal injury. Wear gloves when moving or repositioning the unit.
- Never install the unit behind closed doors. Be sure front grille is free of obstruction. Obstructing free air flow can cause the unit to malfunction, and may void the warranty.
- Allow unit temperature to stabilize for 24 hours before use.

### **CAUTION**

- Use only genuine Electrolux replacement parts. Imitation parts can damage the unit and may void the warranty.

## INSTALLING THE WINE COOLER

Your Electrolux wine cooler has been designed for either free-standing or built-in installation (refer to the **Built-in Installation** section of this manual for instructions). In either case, the front grille must NOT be obstructed.

## SITE PREPERATION

- 1 Position the unit on a flat, level surface, capable of supporting the entire weight of the unit. Remember the unit will be significantly heavier once it is fully loaded.
- 2 This unit requires a grounded and polarized 115 VAC, 60Hz, 15A circuit (normal household current).
- 3 Avoid connecting the unit to a Ground Fault Interruptor (GFI). GFIs are prone to nuisance tripping which will cause the unit to shut down. GFIs are generally not used on circuits which power equipment that must run unattended for long periods of time.
- 4 The unit must be installed according to your local codes and ordinances.

### **DANGER**

#### **ELECTROCUTION HAZARD!**

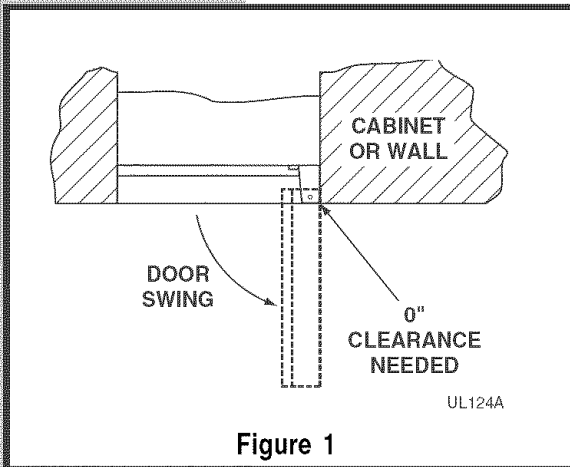
**Electrical Grounding Required.** This appliance is equipped with a three prong (grounding) polarized plug for your protection against possible shock hazards.

- NEVER remove the round grounding prong from the plug.
- NEVER use a two-prong grounding adapter.
- NEVER use an extension cord to connect power to the unit.

Where a two-prong wall receptacle is encountered or a longer power cord is required, contact a qualified electrician to have it replaced in accordance with applicable electrical codes.

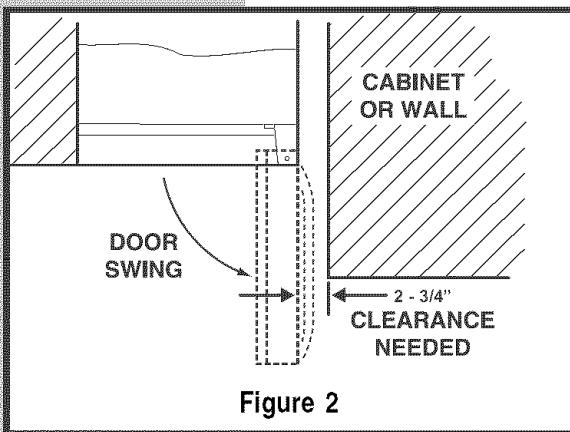


# 8 Site Preparation

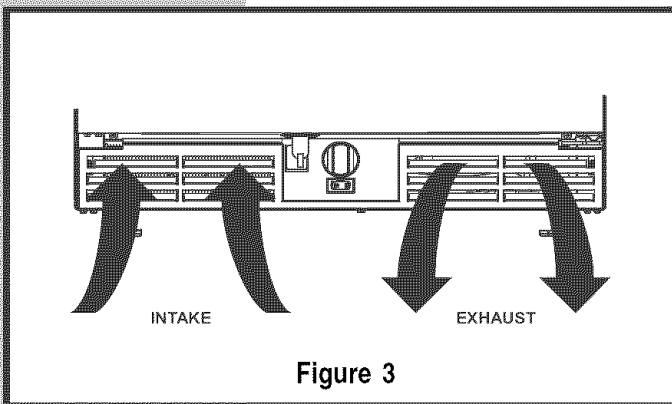


## NOTE

All units require zero clearance when installed flush with a cabinet or wall (see Figure 1). Electrolux stainless steel models require a minimum 2-3/4 inch handle clearance when installed against a wall or cabinet that extends beyond the front edge of the unit (see Figure 2).



- 5 Position the unit to allow free air flow through the front grille (see **Figure 3**).
- 6 Wipe out inside of unit with a damp cloth.
- 7 Final finish of the wooden wine rack trim must be applied at least 24 hours before re-installing the wooden rack trim into the cabinet.
- 8 Be sure to install the Anti-Tip brackets. Follow the instructions provided with the Anti-Tip bracket kit.





## WINE RACKS WITH WOOD TRIM

Your Electrolux wine cooler is equipped with a natural wood trim on the wine racks for appearance and durability. The wood trim has been coated at the factory with a clear vinyl sealer, which will adequately protect the wood in normal usage.

### CAUTION

To prevent permanent damage to the inner liner of your wine cooler, the wine rack wood trim **MUST** be removed from the unit for staining and/or finishing. Allow stain/finish to dry thoroughly (at least 24 hours per coat) in accordance with the stain/finish manufacturer's instructions prior to re-installing the wood trim inside the cabinet of the wine cooler. Failure to do so may cause the inner liner of the unit to have a permanent odor, which is not covered by the warranty.

You have 3 options regarding the wood trim on the wine racks.

(1) You can leave as is, (2) add a final finish coat or (3) you may stain the wood trim. The final finish coat was not applied at the factory so that the wood trim could be stained. **YOU CANNOT STAIN THE WOOD TRIM ONCE YOU APPLY THE FINAL FINISH.** Review the following guidelines when staining and or sealing the wood to ensure proper adhesion and durability of the finish.

#### To add a final finish coat:

- 1 Remove five racks with wood trim from unit, see RACK REMOVAL/INSTALLATION.
- 2 Remove screws securing wood trim to racks.
- 3 Lightly scruff sand the molding with 280 grit 3M Tri-M-Ite® sand-paper.
- 4 Remove sanding dust with a clean, dry cloth.
- 5 Apply a thin coat of a clear protective finish; the factory-applied seal is compatible with virtually all finishes. A low odor, water clean up, quick drying finish such as Minwax Polycrylic® is recommended. Follow container label for directions.
- 6 Lightly sand and reapply if desired.

# 10 Wood Trim

---

To stain for a different wood color:

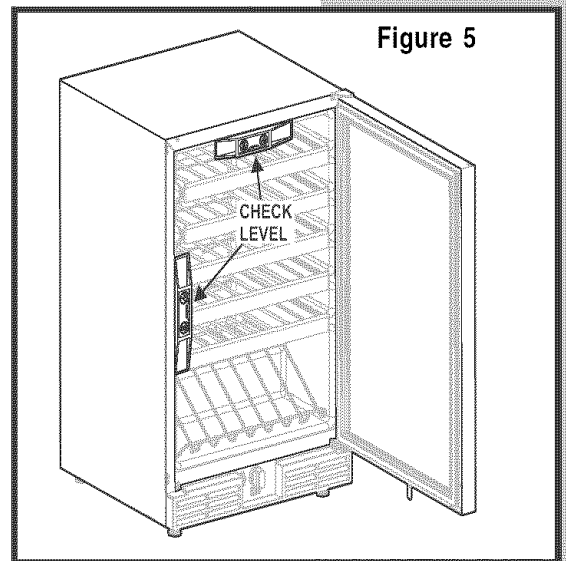
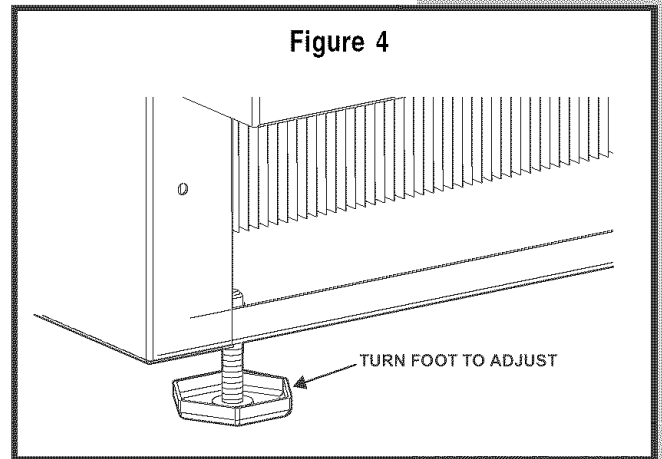
- 1 Remove five racks with wood trim from unit, see **Rack Removal/ Installation**.
- 2 Remove screws securing wood trim to racks.
- 3 Apply Minwax Water-Based Wood Stain® to wood with a synthetic foam brush. Stain must penetrate approximately 3 minutes. After this period, while stain is still wet, take a stain dampened rag and remove all excess stain. Wipe in the direction of the grain with medium pressure to achieve the desired stain color.
- 4 After 2 hours, repeat step three. This will even out the color of the wood.
- 5 Allow stain to dry for a minimum of 3 hours before finishing.
- 6 If desired sand the wood with very fine sandpaper to smooth the surface from the staining process.
- 7 Remove all dust from the wood. Apply one coat of Minwax Ultra Fast-Drying Polycrylic Protective Finish® with a synthetic foam brush to the wood. This finish should be applied in a thin coat following the direction of the grain. First apply the finish to the back and sides of the wood. Allow this to dry for two hours. Next apply the finish to the front side of the wood and allow to dry for two hours. Sand with very fine sandpaper (220 grit). Reapply in the same manner 3 times total. After the third coat do not sand the surface.
- 8 Allow the final coat to dry for 24 hours before installing the wood to the wine cooler racks.

## LEVELING THE UNIT

---

Position the unit on a flat, level surface, capable of supporting the entire weight of the unit when full.

This unit contains four adjustable leveling legs. Turn the legs clockwise to raise and counterclockwise to lower (see **Figures 4 and 5**).



# 12 Door Reversal

## REVERSING THE DOOR

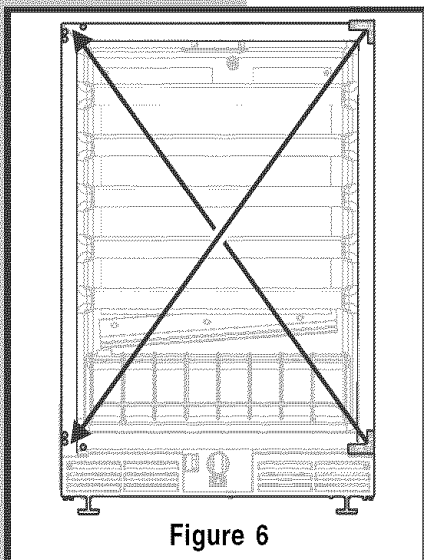


Figure 6

All Electrolux wine cooler models are field reversible for left or right hand opening. The door opening is easily reversed by moving the hinge hardware to the opposite side (see **Figure 6**).

To reverse the door:

- 1 Remove top hinge screw pin (7/64" Allen wrench) from cabinet (see **Figure 7**).

Remove door by tilting forward and lifting off bottom hinge pin.

- 2 Remove plastic screw plugs (3 top and 3 bottom) from new hinge location (see **Figure 8**), and remove hinge pin hole plug in top of door (see **Figure 9**). Do not discard.

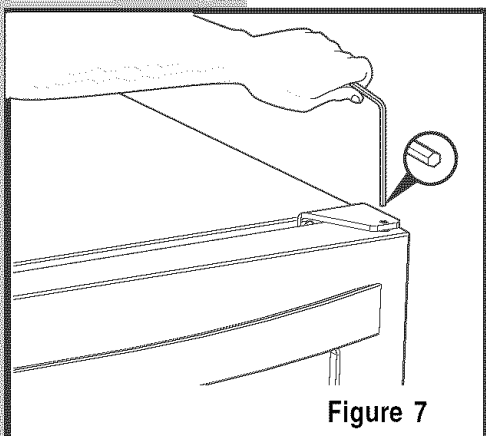


Figure 7

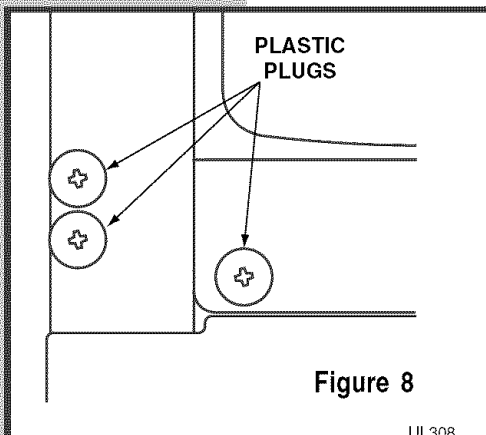


Figure 8

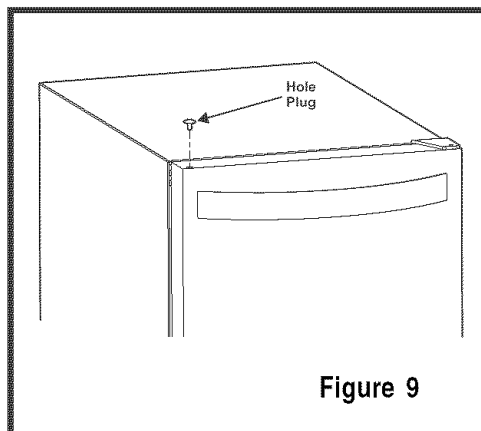
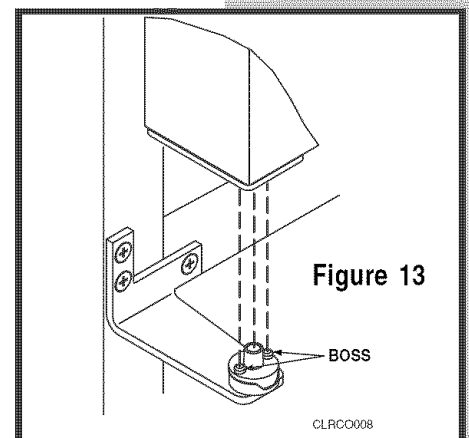
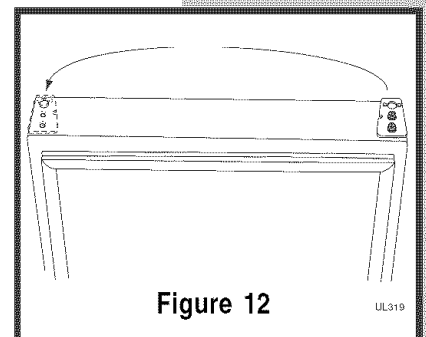
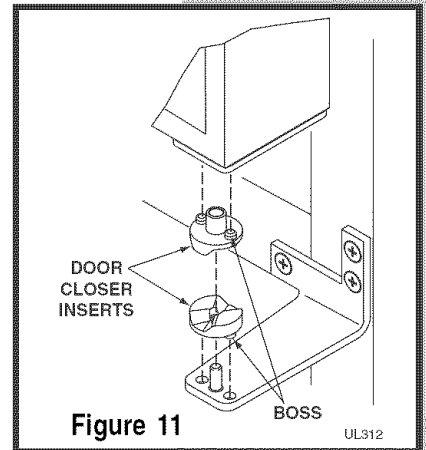
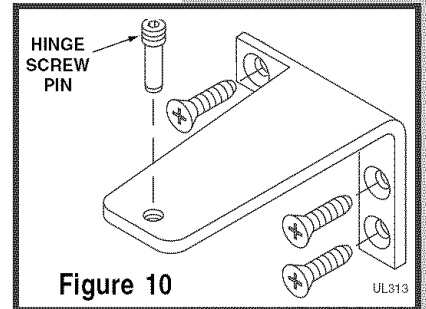


Figure 9



# Door Reversal 13

- 3 Remove top hinge (3 screws), reinstall hinge screw pin, and remount on opposite side **BOTTOM** (see **Figure 10**).
- 4 Remove the two door closer plastic inserts from the existing bottom hinge and install as shown on the new bottom hinge (see **Figure 11**).
- 5 Remove existing bottom hinge (3 screws) and remount on opposite side **TOP**. Remove top hinge screw pin.
- 6 With bottom of door facing up, remove pivot plate (2 screws), flip over, and remount on opposite side of door (see **Figure 12**).
- 7 Holding door upright with top of door tilted forward, place hole of door pivot plate on bottom hinge screw pin (see **Figure 13**). Be sure that the bosses on the closers align with holes in hinge and hinge plate.
- 8 Tilt top of door into position in top hinge and install top hinge screw pin.
- 9 In empty hinge holes, install plastic screw plugs (3 top and 3 bottom) and door hole plug (1, door top) removed in step 2.



# 14 Door Adjustment

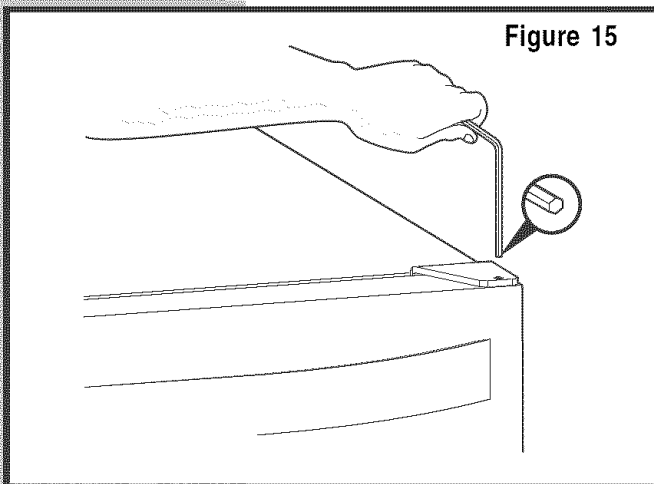
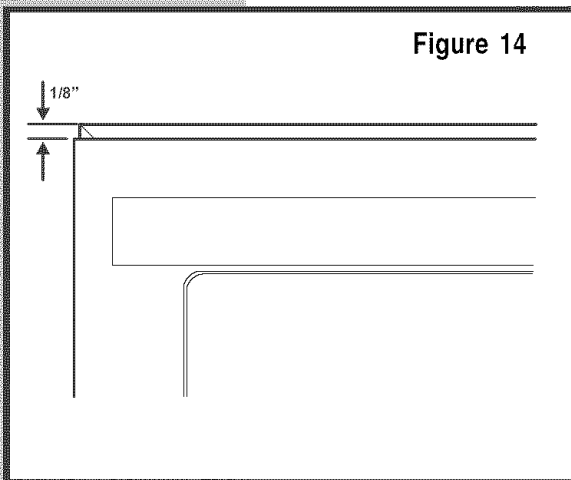
## ADJUSTING THE DOOR

Your door is aligned at the factory before shipment. Occasional re-adjustment may be necessary, especially if an overlay panel is installed. The following procedure will correct for up to 1/4" alignment.

The door should never be flush with the top of the cabinet. Even when level, the top edge of the door will be 1/8" below the top of the cabinet (see **Figure 14**).

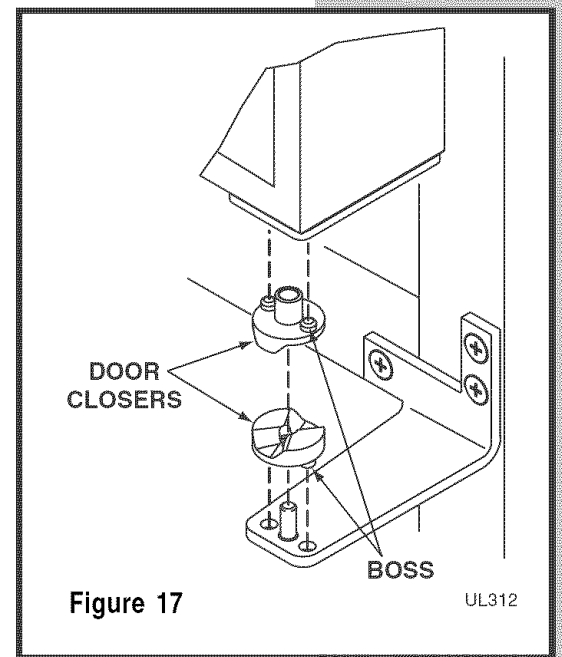
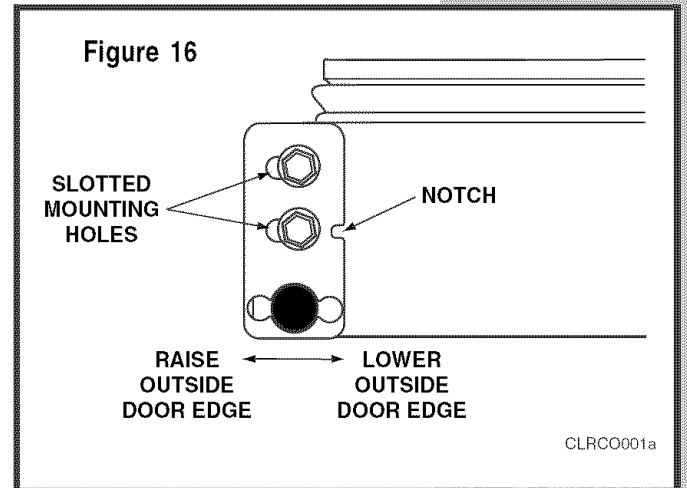
### To adjust :

- 1 Compare the top edge of the door (opposite the hinges) to the top edge of the cabinet and note the type (up or down) of adjustment needed.
- 2 Remove the top hinge pivot pin with a 7/64" hex wrench (see **Figure 15**) and lift door off bottom hinge pin. Be careful not to lose door closers (see **Figure 17**).
- 3 With door upside-down, loosen but do not remove the two hinge plate screws.



# Door Adjustment 15

- 4 If door edge opposite the hinges needs to move up, move plate toward outside of door. If door edge needs to move down, move plate toward inside of door (see **Figure 16**). Repeat until top edge of door is parallel with top of cabinet and tighten screws securely.
- 5 After adjustment is complete, remove the door closers from the bottom hinge, clean thoroughly and apply petroleum jelly to the mating surfaces of the closers (see **Figure 17**). Be sure that bosses on closers align with holes in hinge and hinge plate. Mount door and install top hinge pivot pin.



# 16 Built-In Installation

## INSTALLING A BUILT-IN

Your Electrolux wine cooler has been designed for either free-standing or built-in installation. When built-in, your wine cooler does not require additional air space for top, sides or rear. However, the front grille must NOT be obstructed.

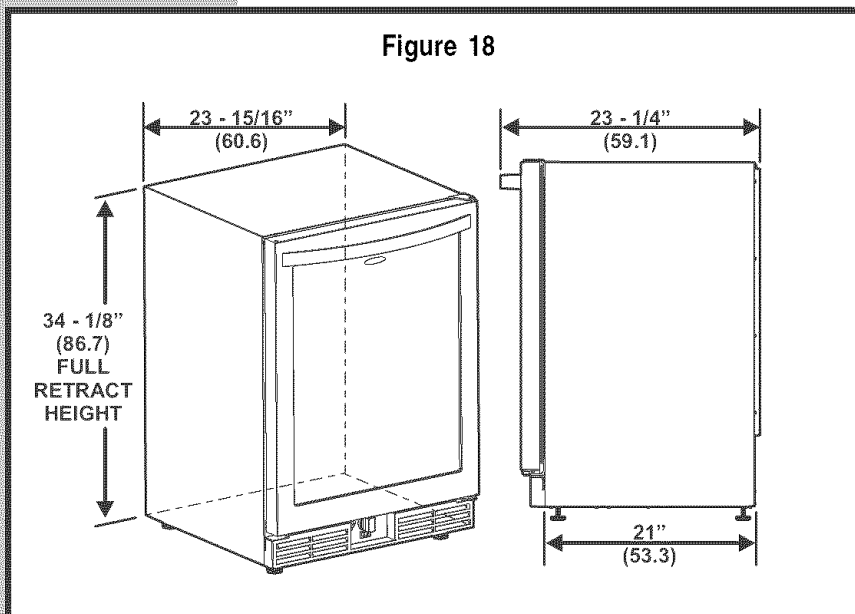
### NOTE

To ease unit installation and removal, it is recommended that the cabinet rough opening dimensions be increased by at least 1/4" over the dimensions given for your unit.

Unit Dimensions

Model	Width	Height	Depth
E24WC48E	23-15/16"	34-1/8"	23-1/4"

See **Figure 18** for dimensions in inches and millimeters.





## THE RIGHT TEMPERATURE FOR WINE

Your Electrolux wine cooler has a unique, triple temperature zone permitting storage of your finest wines at approximately 60°F (15°C in the top portion of the cabinet for reds, 50-55°F (10-12°C) in the middle for whites and 45°F (7°C) on the bottom for sparkling wines). Temperatures noted are product temperatures and not air temperatures.

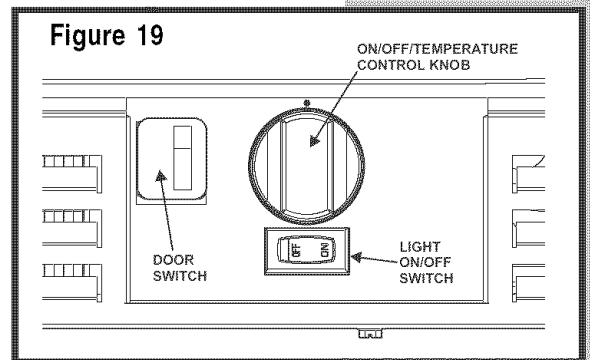
## PROPER STORAGE

Model E24WC48E will accommodate 48 bottles (750 ML size). Specially designed wine racks allow for proper horizontal storage of the wine. The cork remains moist, which keeps air from entering the bottle.

## CONTROL SETTINGS

Your wine cooler is shipped in the ON position, however, you may turn it ON or OFF using the control knob located in the center of the grille.

Turn the control knob clockwise for ON, counterclockwise for OFF. To turn the unit OFF, rotate the control knob counterclockwise all the way toward warmer until it stops (until “click” is heard). The ON/OFF switch located to the right of the control knob is used to turn the inside light on and off (see **Figure 19**).



## LIGHT SWITCH AND BULB

Your wine cooler has an interior light that is illuminated when the door is opened. If you wish to display your wines for those “special occasions” while the door is closed, just depress the switch located to the right of the control dial on the grille to the ON position. Please note when the light is on for an extended period of time it will increase the cabinet temperature, especially at the top.

# 18 Start-up and Temperature Control

---

## STARTING THE UNIT

---

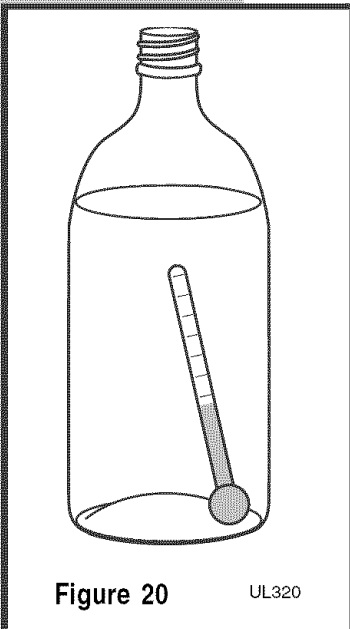
Electrolux wine coolers are designed to provide different temperature zones within the cabinet so different types of wine may be maintained at varying temperatures. The coolest temperature is at the bottom, and the warmest is at the top of the cabinet.

## ADJUSTING THE TEMPERATURE CONTROL

---

To accurately check the temperature, insert a reliable thermometer into a plastic (non-breakable) bottle, partially filled with water. Tighten the bottle cap securely (see **Figure 20**).

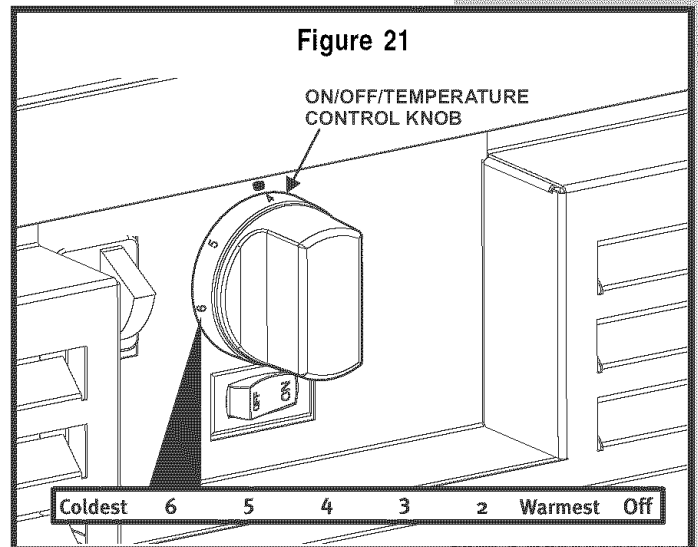
Place the bottle in the desired area for 24 hours. Refrain from opening the unit during the testing period. After 24 hours, check the temperature of the water. Adjust the control knob if necessary and retest.



Your wine cooler is preset for a mid-point setting (4) in order to achieve the recommended temperature range when installed in a 72°F ambient room temperature (see **Figure 21**). Adjust the temperature gradually; move the control knob in small increments and allow the temperature to stabilize. For a warmer temperature, move the knob towards **Warmest** (counterclockwise/lower number). For a colder temperature, move the knob towards **Coldest** (clockwise/higher number).

Factors which affect the internal temperatures of the cabinet include:

- 1 Temperature setting.
- 2 Room temperature where installed.
- 3 Number of times the door is opened and closed.
- 4 Amount of time the internal light is illuminated. This affects primarily wines on the top racks.
- 5 Installation in direct sun light or near a heat source.



# 20 Storage

## DISPLAY RACK

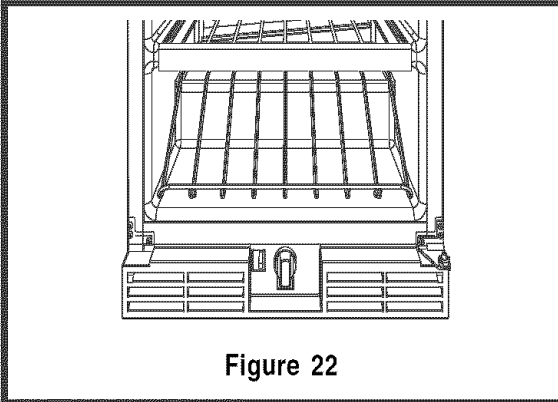


Figure 22

The bottom rack in your wine cooler is designed for storage as well as for display purposes (see **Figure 22**).

Model E24WC48E holds eight bottles in the display rack.

## STOCKING RECOMMENDATIONS

The wine racks allow for the proper horizontal storage of wine. The bottles are properly positioned so that the wine remains in contact with the cork to assure that the cork does not become dry. Use the procedure listed below to stock your wine cooler. White and sparkling wines should be maintained on the bottom to middle racks and red wine on the top racks.

### CAUTION

The Anti-tip brackets **MUST** be installed before you begin loading your wine cooler .

Your wine cooler , models 2015WC and 2075WC, - Delete parenthetical should be stocked beginning with the bottom display rack, at the back and work forward. Stagger the bottles as shown in **Figure 23**. Subsequent racks should be stocked similarly, starting with the back of each rack (see **Figure 24**).

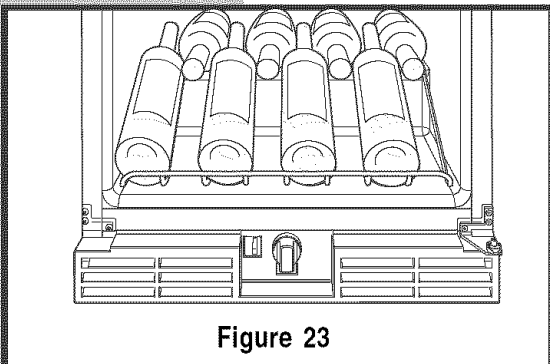


Figure 23

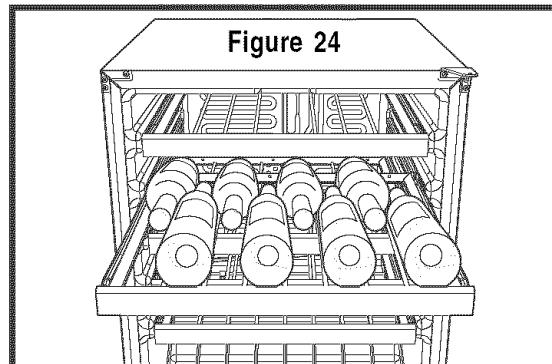


Figure 24



## MAINTAINING YOUR WINE COOLER

---

Periodic cleaning and proper maintenance will ensure efficiency, top performance, and long life. The maintenance intervals listed are based on normal conditions. You may want to shorten the intervals if you have pets or other special considerations.

### Exterior Cleaning - As Required

The door, grille and cabinet may be cleaned with a mild detergent and warm water solution. Do not use solvent based or abrasive cleaners. Use a soft sponge and rinse with clean water. Wipe with a soft, clean towel to prevent water spotting.

### Stainless Steel Models

- Stainless steel models may discolor when exposed to chlorine gas, pool chemicals, salt water or cleaners with bleach.
- Keep your stainless unit looking new by cleaning with a high quality, all-in-one stainless steel cleaner/polish on a monthly basis. Frequent cleaning will remove surface contamination that could lead to rust. Some installations will require cleaning on a weekly basis.
- DO NOT CLEAN WITH STEEL WOOL PADS.
- DO NOT USE CLEANERS THAT ARE NOT SPECIFICALLY INTENDED FOR STAINLESS STEEL (this includes glass, tile and counter cleansers).
- If any surface discolors or rusting appears, clean it quickly with Bon-Ami or Barkeepers Friend Cleanser and a non-abrasive cloth. Always clean in the direction of the grain. Always finish this process with a high quality, all-in-one stainless steel cleaner/polish to prevent further problems.
- USE OF ABRASIVE PADS SUCH AS SCOTCHBRITE WILL CAUSE THE GRAINING IN THE STAINLESS TO BECOME BLURRED.
- Rust that is allowed to linger can penetrate into the surface of the stainless steel and become impossible to remove.

### CAUTION

Stainless steel models exposed to chlorine gas and moisture, such as areas with spas or swimming pools, may have some discoloration of the stainless steel. Discoloration from chlorine gas is normal. Follow exterior cleaning instructions.

# 22 Maintenance

## Interior Cleaning - As Required

- 1 Disconnect power to the wine cooler.
- 2 Remove racks if desired, see WINE RACK REMOVAL/INSTALLATION.
- 3 Wipe down the interior with a solution of non-abrasive mild detergent and warm water.
- 4 Rinse with clear water.
- 5 Reconnect power to the unit.

## Condenser Cleaning - Every 3 Months

### **WARNING**

Disconnect electric power to the unit before cleaning the condenser.

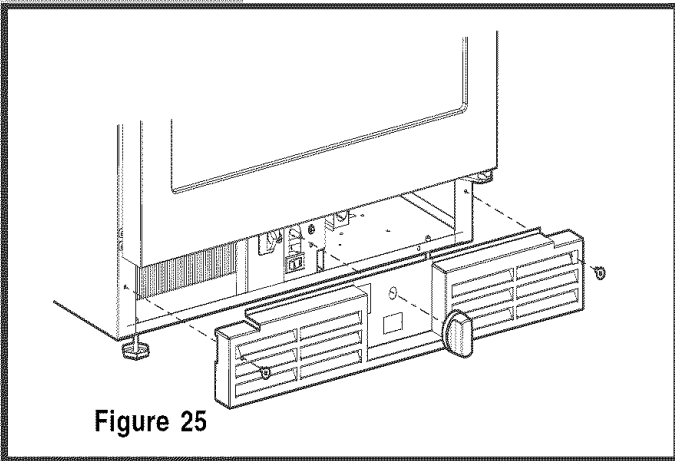


Figure 25

To remove and replace the grille for access to the condenser fins follow this procedure:

1. Remove the control knob by grasping the knob and pulling straight off (see **Figure 25**).
2. Remove the screws at each end of the grille.
3. Remove the grille.

### **CAUTION**

**DO NOT** touch the condenser fins. The condenser fins are **SHARP**. The fins can also be easily damaged.

- 4 Clean the condenser coil using a brush or vacuum cleaner. Do not touch.
- 5 Position the grille to align the screw holes with the cabinet.
- 6 Insert the grille screws and tighten being careful not to over tighten.
- 7 Install the control knob by aligning the flat of the control knob with the flat on the shaft. Push firmly.

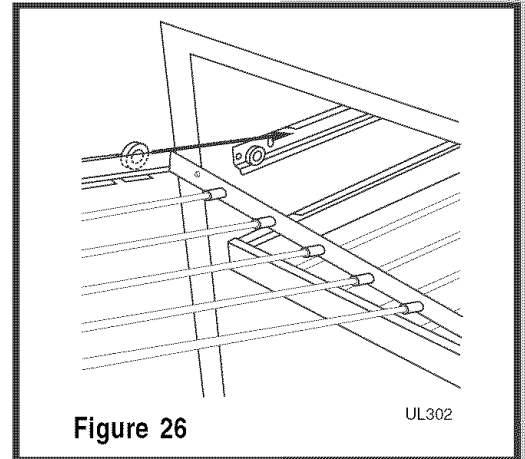
## Wine Rack Removal/Installation

To remove the wine racks for cleaning:

- 1 Grasp the end of the wine rack, sliding it out and up.
- 2 Clean wine rack with a damp rag.

To insert the wine racks:

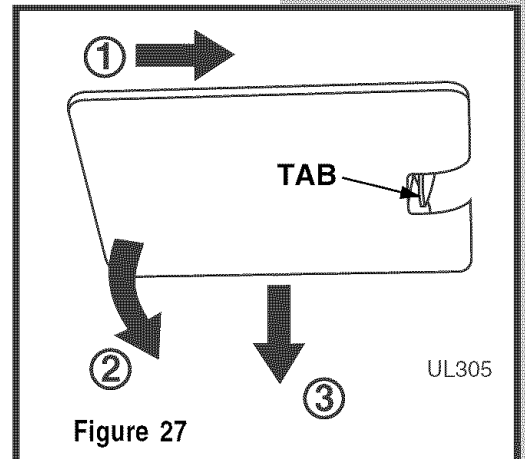
- 1 Position the wine rack above the shelf channel where the rack is to be inserted. (See **Figure 26**.)
- 2 Slide the rack on the channel at an angle until the rack is in the channel.
- 3 Continue sliding until the rack is all the way into the wine cooler.



## Bulb Replacement

To replace the light bulb in your wine cooler:

- 1 Remove the light housing cover by sliding the cover towards the tab, swinging the end opposite of the tab down and pulling down and away (see **Figure 27**).
- 2 Replace bulb with genuine Electrolux replacement.
- 3 Replace the light housing cover by inserting the tab **FIRST** and pushing up the other end. You should hear a snap/click.



# 24 Troubleshooting

---

## BEFORE YOU CALL FOR SERVICE

---

If the unit appears to be malfunctioning, read through Normal Operation first. If the problem persists, check the Troubleshooting Guide. Locate the problem in the guide and refer to the cause and its remedy before calling for service. The problem could be something very simple which can be solved without a service call. Some remedies listed in the Troubleshooting Guide are very complex. Consulting or contracting a qualified service technician may be necessary.

## IF SERVICE IS REQUIRED

---

Contact the dealer where you purchased the unit if service is required. State the Model and Serial number and explain the problem. The Model and Serial number plate is located inside the unit at upper right hand corner.

If you do not know the name of the selling dealer or local service company, you can check online at [www.electroluxusa.com](http://www.electroluxusa.com) or call **1-877-435-3287**.

---



## TROUBLESHOOTING GUIDE

### DANGER

#### ELECTROCUTION HAZARD

NEVER attempt to repair or perform maintenance on the unit until the main electrical power has been disconnected.

### *Troubleshooting – What to check when problems occur*

Problem	Possible Cause	Remedy
Unit not cold enough.  Check temperatures (see introduction for specific temperatures).	<ul style="list-style-type: none"> <li>Control set too warm.</li> <li>Light staying on.</li> <li>Airflow to front grille blocked.</li> <li>Dirty condenser coils.</li> <li>Door gasket not sealing properly.</li> </ul>	<ul style="list-style-type: none"> <li>Turn control knob CLOCKWISE to set temperature colder. Allow 24 hours for temperature to stabilize.</li> <li>Check that light switch bracket contacts switch plunger.</li> <li>Airflow must not be obstructed to front grille. See <b>Installation</b>.</li> <li>Clean condenser. See <b>Maintenance</b>.</li> <li>Adjust door gasket.</li> </ul>
Unit too cold.  Check temperatures (see introduction for specific temperatures).	<ul style="list-style-type: none"> <li>Control set too cold.</li> </ul>	<ul style="list-style-type: none"> <li>Turn control knob COUNTER-CLOCKWISE to set temperature warmer. Allow 24 hours for temperature to stabilize.</li> </ul>
No interior light.	<ul style="list-style-type: none"> <li>Loose or burned out bulb.</li> </ul>	<ul style="list-style-type: none"> <li>Tighten or replace bulb. See <b>Bulb Replacement</b>.</li> </ul>
Light won't go out when door is closed.	<ul style="list-style-type: none"> <li>Light on/off switch is turned to ON.</li> </ul>	<ul style="list-style-type: none"> <li>Turn switch to OFF. See <b>Light Switch and Bulb</b>.</li> </ul>

## WINE COOLER WARRANTY *Your wine cooler is protected by this warranty*

	WARRANTY PERIOD	THROUGH OUR AUTHORIZED SERVICERS, WE WILL:	THE CONSUMER WILL BE RESPONSIBLE FOR:
<b>FULL ONE-YEAR WARRANTY</b>	One year from original purchase date.	Pay all costs for repairing or replacing any parts of this appliance which prove to be defective in materials or workmanship.	Costs of service calls that are listed under <b>NORMAL RESPONSIBILITIES OF THE CONSUMER.*</b>
<b>LIMITED 2<sup>ND</sup>-5<sup>TH</sup> YEAR WARRANTY (Cabinet Liner and Sealed System)</b>	Second through fifth years from original purchase date.	Repair or replace any parts in the cabinet liner or sealed refrigeration system (compressor, condenser, evaporator, dryer or tubing) which prove to be defective in materials or workmanship.	Costs for pickup and delivery of the appliance required because of service. Costs for labor, parts and transportation other than with respect to the cabinet liner or sealed refrigeration system.
<b>LIMITED WARRANTY (Applicable to the State of Alaska)</b>	Time periods listed above.	All of the provisions of the full warranties above and the exclusions listed below apply.	Costs of the technician's travel to the home and any costs for pick up and delivery of the appliance required because of service.

In the U.S.A., your appliance is warranted by Electrolux Home Products, Inc. We authorize no person to change or add to any of our obligations under this warranty. Our obligations for service and parts under this warranty must be performed by us or an authorized Electrolux Home Products, Inc. servicer. In Canada, your appliance is warranted by Electrolux Canada Corp.

### \*NORMAL RESPONSIBILITIES OF THE CUSTOMER

**This warranty applies only to products in ordinary household use, and the consumer is responsible for the items listed below:**

1. Proper use of the appliance in accordance with instructions provided with the product.
2. Proper installation by a licensed and insured professional, in accordance with instructions provided with the appliance and in accordance with all local plumbing, electrical and/or gas codes.
3. Proper connection to a grounded power supply of sufficient voltage, replacement of blown fuses, repair of loose connections or defects in house wiring.
4. Expenses for making the appliance accessible for servicing, such as removal of trim, cupboards, shelves, etc., which are not a part of the appliance when it was shipped from the factory.
5. Damages to finish after installation.
6. Replacement of light bulbs and/or fluorescent tubes (on models with these features).

### EXCLUSIONS

**This warranty does not cover the following:**

1. CONSEQUENTIAL OR INCIDENTAL DAMAGES SUCH AS PROPERTY DAMAGE AND INCIDENTAL EXPENSES RESULTING FROM ANY BREACH OF THIS WRITTEN OR ANY IMPLIED WARRANTY.  
*Note: Some states do not allow the exclusion or limitation of incidental or consequential damages, so this limitation or exclusion may not apply to you.*
2. Service calls which do not involve malfunction or defects in workmanship or material, or for appliances not in ordinary household use. The consumer shall pay for such service calls.
3. Damages caused by services performed by servicers other than Electrolux Home Products, Inc., Electrolux Canada Corp., or its authorized servicers; use of parts other than genuine Electrolux Home Products parts; obtained from persons other than such servicers; or external causes such as abuse, misuse, inadequate power supply or acts of God.
4. Products with original serial numbers that have been removed or altered and cannot be readily determined.

### IF YOU NEED SERVICE

Keep your bill of sale, delivery slip, or some other appropriate payment record. The date on the bill establishes the warranty period should service be required. If service is performed, it is in your best interest to obtain and keep all receipts. This written warranty gives you specific legal rights. You may also have other rights that vary from state to state. Service under this warranty must be obtained by contacting Electrolux Home Products, Inc. or Electrolux Canada Corp.

This warranty only applies in the 50 States of the U.S.A. and Puerto Rico, and Canada. Product features or specifications as described or illustrated are subject to change without notice. All warranties are made by Electrolux Home Products, Inc. In Canada, your appliance is warranted by Electrolux Canada Corp.

### USA

877-435-3287  
Electrolux Home Products, Inc.  
P.O. Box 212378  
Augusta, GA 30917

### Canada

866-213-9397  
Electrolux Canada Corp.  
6150 McLaughlin Road  
Mississauga, Ontario  
L5R 4C2