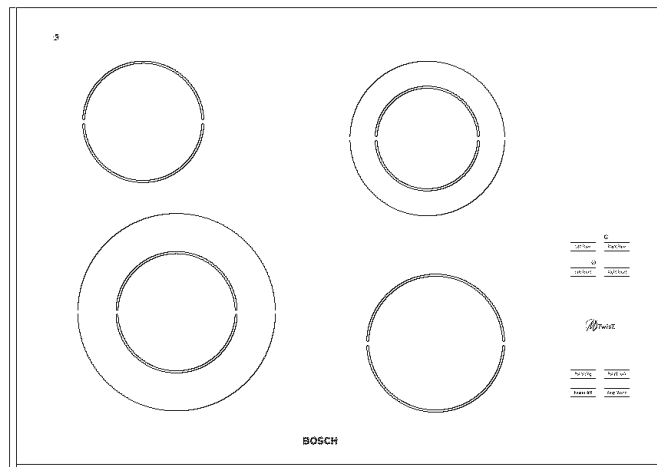
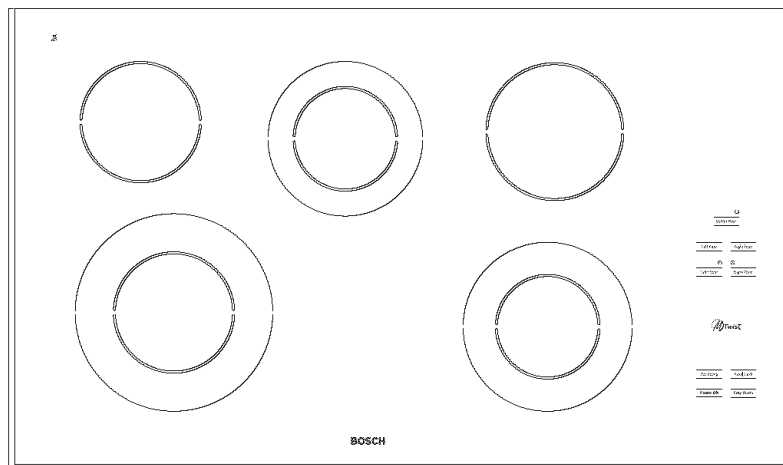


BOSCH

Installation Instructions



NES 730 UC



NES 930 UC

Bosch Ceramic Glass Cooktops

Models: NES 730 UC, NES 930 UC



Table of Contents

NOTE: The blocked letters, such as **A**, shown below, refer to illustrations on Pages 2 & 4. Match these to the related text pages.

Overall Dimensions **A** 2

Power Supply **B** 2

Cabinet Preparation and Clearances **C** 2, 3

Junction Box Location **D** 2

Countertop Cutout Dimensions **E** 2

Installing the Cooktop **F** 3-4

Secure Cooktop to Countertop **G** 3-4

Solid Surface Countertop Installations **H** and **I** 4-5

Electrical Connection 5

IMPORTANT: Save these instructions for Local Electrical Inspector’s use.
INSTALLER: Please leave these Installation Instructions with this unit for the owner.
OWNER: Please retain these instructions for future reference.

READ AND SAVE THESE INSTRUCTIONS

OVERALL DIMENSIONS **A**

See Illustration **A**, Page 2. These dimensions are overall.

POWER SUPPLY **B**

ELECTRICAL POWER CONNECTION FOR COOKTOP

Power Supply is dual rated: 240 Volts or 208 Volts, 4 wire, 60 Hz, with the following circuit breaker requirements: Model NES 730 at 30 Amps; Model NES 930 at 40 Amps

Connect only to a 4-wire 120/240 or 120/208 volt ac system. The neutral is required for the operation of this appliance and an independent ground is required.

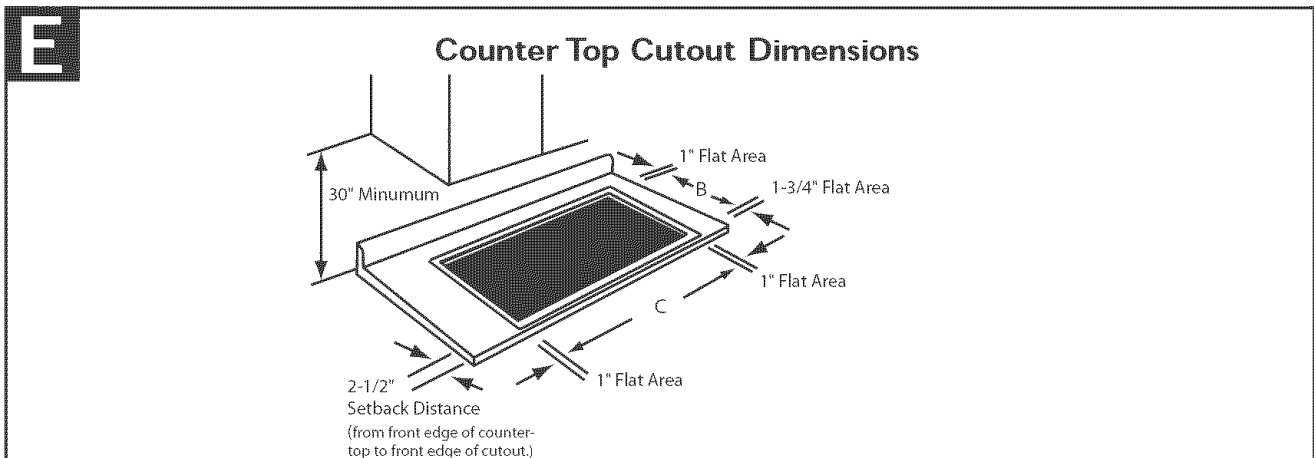
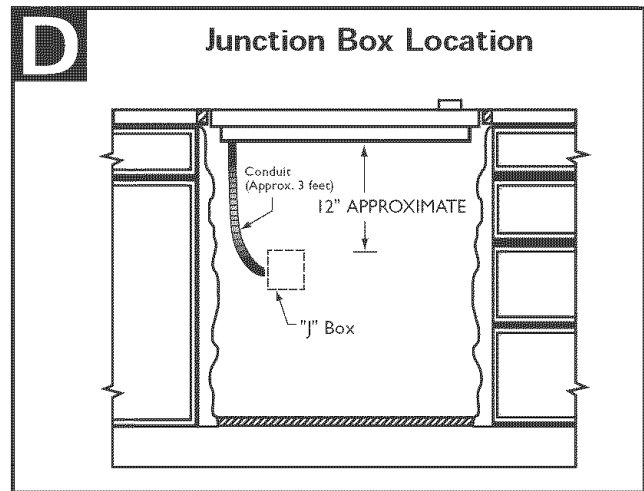
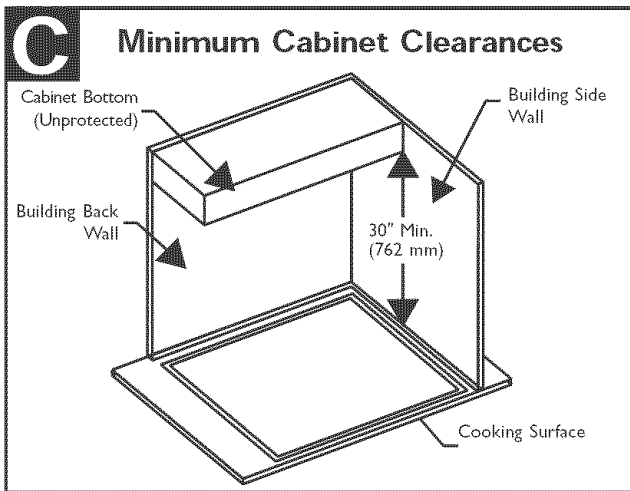
Install a junction box (not supplied), below the counter top within 3 feet of flexible conduit (supplied) located at the left rear corner of the cooktop rough-in box.

JUNCTION BOX LOCATION **D**

Plan the installation of the unit so that the location of the junction box is within 3 feet of the left rear of the cooktop bottom. **It must be accessible from the front of the cabinet.**

| A | Overall Dimensions |
|----------|--|
| | Model NES 730: Width 30" |
| | Model NES 930: Width 36" |
| | All Models: Depth 21-1/8" Height above countertop: 1/4" |

| B | Required Power Supply |
|----------|---|
| | Model NES 730: 30 Amp circuit breaker |
| | Model NES 930: 40 Amp circuit breaker |
| | All Models } 240 Volt, 4 Wire, 60 Hz 208 Volt, 4 Wire, 60 Hz |



| MODEL NO. | DIM. | CUTOUT DIMENSIONS* | |
|-----------|------|-----------------------|-----------------------|
| | | Minimum Inches / (mm) | Maximum Inches / (mm) |
| NES 730 | B | 19-7/8" / (505 mm) | 20" / (508 mm) |
| | C | 28-3/4" / (731 mm) | 28-7/8" / (734 mm) |
| NES 930 | B | 19-7/8" / (505 mm) | 20" / (508 mm) |
| | C | 34-3/4" / (883 mm) | 34-7/8" / (886 mm) |

*For solid surface countertop installations, use maximum cutout dimensions and consult surface manufacturer for specific cutting instructions.

CABINET PREPARATION AND CLEARANCES

C

CAUTION

To eliminate the risk of burns or fire by reaching over heated surface units, cabinet storage space located above the surface units should be avoided. If cabinet storage is to be provided, the risk can be reduced by installing a range hood that projects horizontally a minimum of 5 in. (127 mm) beyond the bottom of the cabinets. See **C**, Page 2.

This unit is designed for installation in the counter top with zero clearance to adjacent walls and projecting surfaces constructed of combustible materials. A 30-inch minimum clearance is required between the top of the cooktop and the bottom of an unprotected cabinet. A 24-inch minimum distance is necessary when the bottom of the wood or metal cabinet is protected by not less than 1/4 inch of a flame retardant material covered with not less than No. 28 MSG sheet steel, 0.015-inch (0.4 mm) thick stainless steel, 0.024-inch (0.6 mm) aluminum, or 0.020-inch (0.5 mm) thick copper. Flame retardant materials bear the mark:

UNDERWRITERS LABORATORIES INC.
CLASSIFIED
MINERAL AND FIBER BOARDS
SURFACE BURNING CHARACTERISTICS

Followed by the flame spread and smoke ratings, these designations are shown as "FHC (Flame Spread)/(Smoke Developed)." Materials with "O" flame spread ratings are flame retardant. Local codes may allow other flame spread ratings.

The minimum horizontal clearance from the sides and back edge of the cooktop to the adjacent vertical combustible walls is zero inches.

COUNTERTOP CUTOUT DIMENSIONS

E

The cutout dimensions depend upon whether the installation is for replacement, new construction, or installation in a solid surface countertop material, such as Surel™, Corian® etc. These materials require larger cutouts, use of heat reflective tape and rounded corners. Drawings **G** and **H** provide some guidelines only (see Page 4 and 5). Always consult the countertop manufacturer for specific installation instructions.

INSTALLING THE COOKTOP



WARNING:

TO AVOID ELECTRICAL SHOCK HAZARD, BEFORE INSTALLING THE COOKTOP, SWITCH POWER OFF AT THE SERVICE PANEL AND LOCK THE PANEL TO PREVENT THE POWER FROM BEING SWITCHED ON ACCIDENTALLY.

Seal with foam tape

F

A foam tape is provided to seal the cooktop edges to the countertop (see page 4). Turn cooktop upside down and apply tape approximately 1/16" from the glass edges. Use tape around the entire glass perimeter cut off excess where tape ends butt.

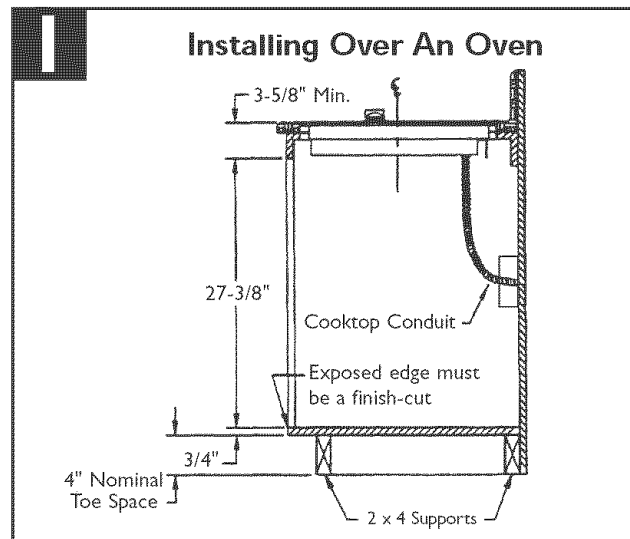
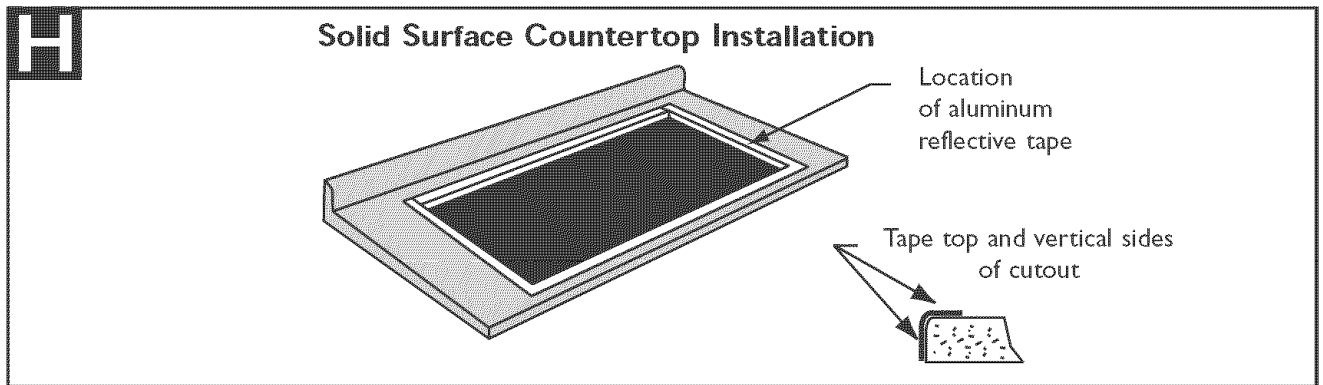
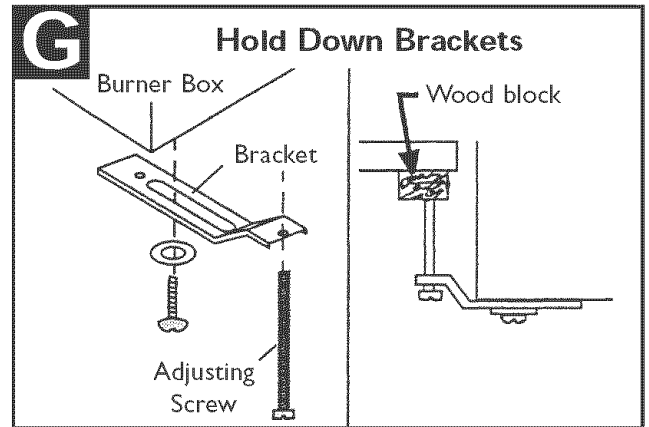
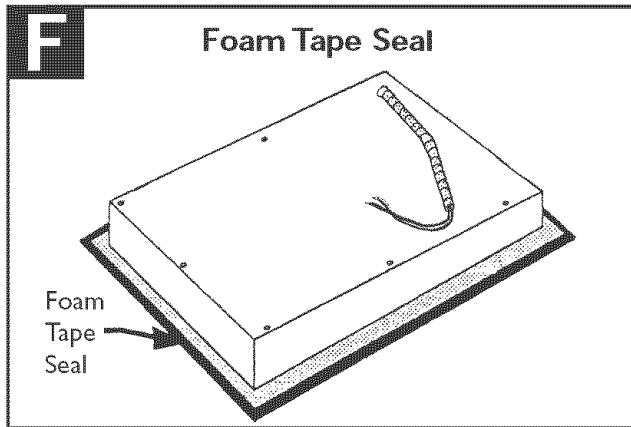
Secure Cooktop to countertop

G

The cooktop should be secured to the countertop using the hold-down brackets provided. Prior to inserting cooktop into cutout, turn cooktop upside down and attach brackets to the burner box using the washers and screws.

Place cooktop into cutout. Insert clamping screws into the brackets and secure cooktop to countertop.

Use a wood block to protect fragile countertop materials.



Solid Surface Countertops



Always consult the countertop manufacturer for specific instructions.

Countertops made from natural (i.e. granite and marble) or SOLID SURFACE MATERIALS, such as Surell™ and Corian®, require special cutout preparation and installation procedures. Follow the guidelines below and on pages 2-4 for preparing the cutout.

Install the cooktop as follows:

1. Round the cutout corners according to instructions from the countertop manufacturer.
2. Apply heat reflective tape (such as Scotch® Aluminum Foil Tape #425 or #427) around the cutout so that it folds over the top and side surfaces. Be sure the tape extends beyond the outermost flange of the cooktop. All corners should also be covered with tape.
3. Attach brackets to the burner box using washers and screws provided. Use a wooden block underneath the countertop before tightening the bracket screws.
4. Center cooktop in the cutout to ensure adequate clearance between the burner box and countertop edge. (A light pencil mark along the center of front edge and side edge of cooktop and counter will aid in the positioning of the cooktop in the center.)
5. Trim excess aluminum tape from along the frame edges. BE CAREFUL not to scratch the countertop.

ELECTRICAL CONNECTION

1. Attach flexible conduit to the junction box.
2. Connect the cooktop lead wires to the junction box supply wires in proper phase:

For all models, connect black (L1) to black, red (L 2) to red, white wire to neutral and green wire to ground.

NOTE: If the cooktop is installed and connected as specified above, it will be completely grounded in compliance with the National Electrical Code.

3. Remove everything from the cooktop surface and apply Cooktop Cleaning Creme (packaged with cooktop) as directed in Use & Care Manual, Page 9.
4. Turn on power supply.
5. Test operation.

NOTE: Your cooktop surface needs to be cleaned daily. Refer to the Use and Care section before using it for the first time.

BEFORE CALLING FOR SERVICE

If the elements do not heat or if the indicator “on” light does not glow, check the power source to see if a fuse has blown or if the circuit breaker has tripped.

Refer to the Cooktop Warranty on Page 12 of the Use and Care Manual.

See Use and Care manual for troubleshooting information.

Product data plate

The data plate shows the model and serial number of your cooktop. It is located in the center front area of the rough-in box, underneath the cooktop.

Keep your invoice or escrow papers for warranty validation if service is needed.

Specifications are for planning purposes only. Refer to installation instructions and consult your countertop supplier prior to making counter opening. Consult with a heating and ventilating engineer for your specific ventilation requirements. For the most detailed information, refer to Installation Instructions accompanying product or write BSH Home Appliances Corp. indicating the model number.

We reserve the right to change specifications or design without notice. Some models are certified for use in Canada. BSH is not responsible for products which are transported from the United States for use in Canada. Check with your local Canadian distributor or dealer.

For the most up to date critical installation dimensions by fax, use your fax handset and call 702/833-3600. Use code #8317.

Note: The Bosch cooktop referred to throughout this manual is manufactured by BSH Home Appliances Corp.

BOSCH

BSH Home Appliances Corporation
5551 McFadden Avenue, Huntington Beach, CA 92649 • 800/944-2904
© 2002 BSH Home Appliances Corp. • Litho U. S. A.
50 60 00 3839 (8205)