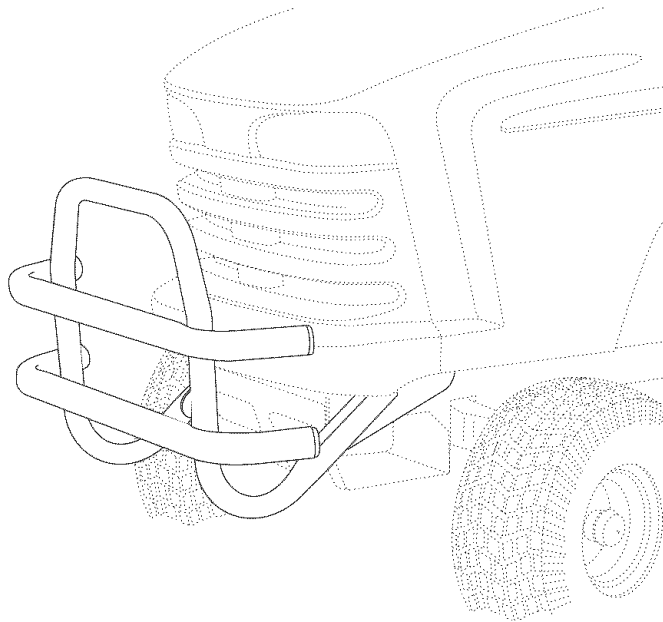


# Owner's Manual



## TRACTOR BRUSH GUARD

Model No's. 486.246211, 486.24622 & 486.24623



### CAUTION:

Before using this product, read this manual and follow all Safety Rules and Operating Instructions.

- Safety
- Assembly
- Operation
- Maintenance
- Parts

### IMPORTANT - READ THIS FIRST!!!

For Missing Parts or Assembly Questions

Please Call 866-576-8388

Mon.-Fri. 7 am - 5 pm CST.

FAX 217-728-2032 or e-mail [info@agri-fab.com](mailto:info@agri-fab.com)

Missing parts will be sent UPS in 24 hours directly to your home.

Sears, Roebuck and Co., Hoffman Estates, IL 60179 U.S.A.

[www.sears.com/craftsman](http://www.sears.com/craftsman)

PRINTED IN U.S.A.

FORM NO. 49695 (1/05)



## SAFETY

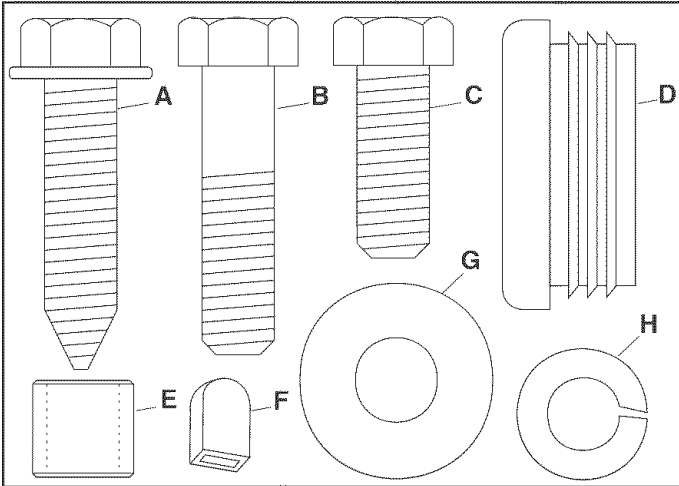


Any power equipment can cause injury if operated improperly or if the user does not understand how to operate the equipment. Exercise caution at all times, when using power equipment.

- Refer to your tractor owners manual for "Rules For Safe Operation".

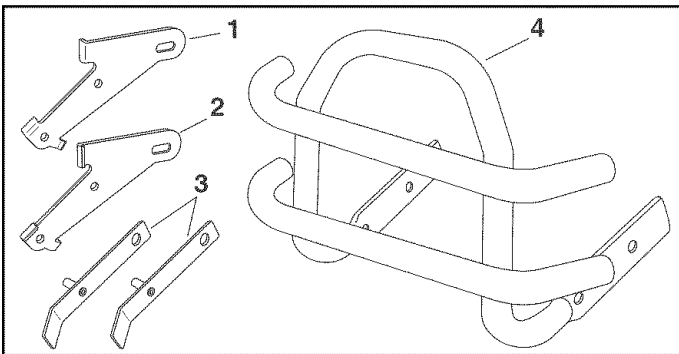


Look for this symbol to point out important safety precautions. It means--**Attention!! Become alert!! Your safety is involved.**



### FULL SIZE HARDWARE CHART

Ref.	Part No.	Qty.	Description
A	48894	2	Self Threading Screw, 3/8-16 x 1-1/2"
B	43062	2	Hex Bolt, 3/8-16 x 1-1/2"
C	43001	2	Hex Bolt, 3/8-16 x 1"
D	44742	4	Plug
E	48866	2	Pivot Spacer
F	1643-60	2	Plastic Grip
G	43070	4	Washer, 3/8"
H	43003	4	Lock Washer, 3/8"



### CARTON CONTENTS

- |                           |   |
|---------------------------|---|
| 1. Left Mounting Bracket  | #25037  |
| 2. Right Mounting Bracket | #25038  |
| 3. Locking Lever          | #64862  |
| 4. Bumper                 | #64614B (71-246211)<br>#64614S (71-24622)<br>#64614C (71-24623) |

## ASSEMBLY

### TOOLS REQUIRED

- (1) 9/16" Wrench
- (1) 1/2" Wrench (for heat shields)



**CAUTION!** Muffler is hot! Allow engine to cool down before proceeding with bumper installation.

### STEP 1: (SEE FIGURE 1)

- Place cardboard on work surface to protect painted parts from scratches.
- Remove hood from tractor using instructions in your tractor owner's manual. Place hood on cardboard or on a mat to protect paint.
- If your tractor has a heat shield shaped like the one in figure 1, temporarily remove it.

**IMPORTANT:** Be sure to reattach the heat shield after bumper is installed.

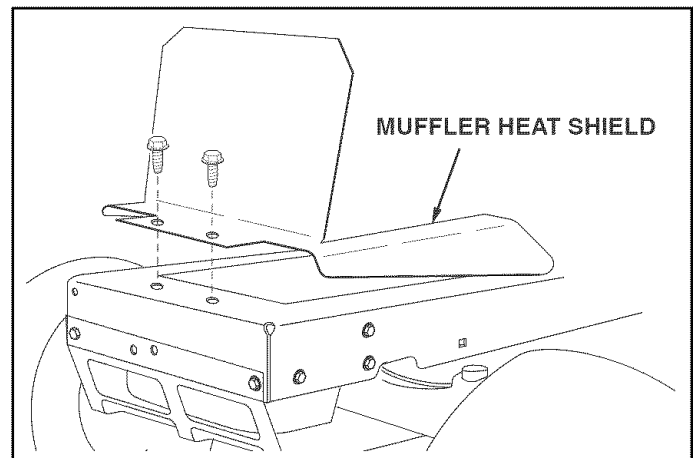


FIGURE 1

### STEP 2: (SEE FIGURE 2)

- Place plug (D) on a work bench or solid table and push end of bumper down onto plug. Repeat for all four plugs.

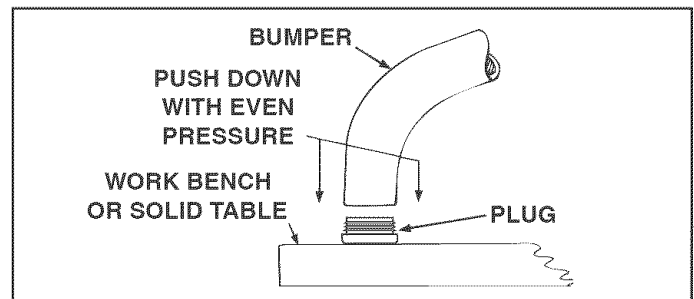


FIGURE 2

**STEP 3: (SEE FIGURE 3)**

**IMPORTANT:** Do not remove any bolts from the tractor frame while the mower deck is raised. Misalignment of holes in frame could result.

- Lower mower deck to rest on ground.
- Remove bolts from mounting holes on both sides of tractor frame. Use a mounting bracket to help identify holes.

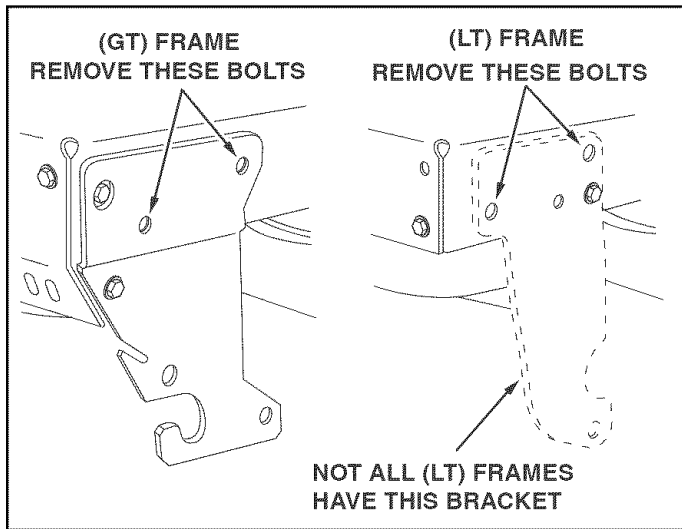


FIGURE 3

**STEP 4: (SEE FIGURE 4)**

- Attach left mounting bracket to hole shown in left side of tractor frame using bolt (C), lock washer (H) and flat washer (G). Align middle hole in bracket with empty hole in tractor frame and tighten bolt (C) to hold bracket in place. Repeat for right mounting bracket.

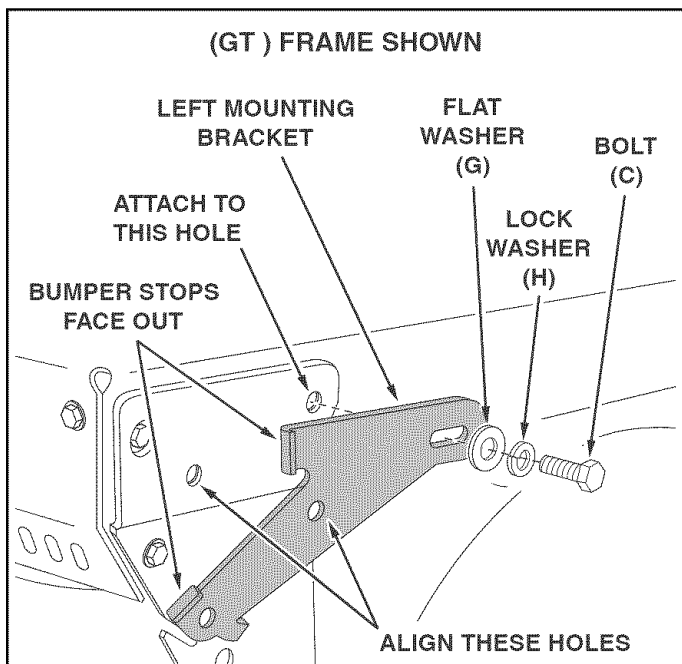


FIGURE 4

LEFT SIDE VIEW

**STEP 5: (SEE FIGURE 5)**

- Assemble plastic grips (F) onto locking levers.
- To attach bumper to tractor:
  1. Place flattened ends of bumper onto mounting brackets. Insert pin of locking lever into front hole in bumper and mounting bracket to support bumper on mounting bracket.
  2. Insert pivot spacers (E) into rear holes in bumper.

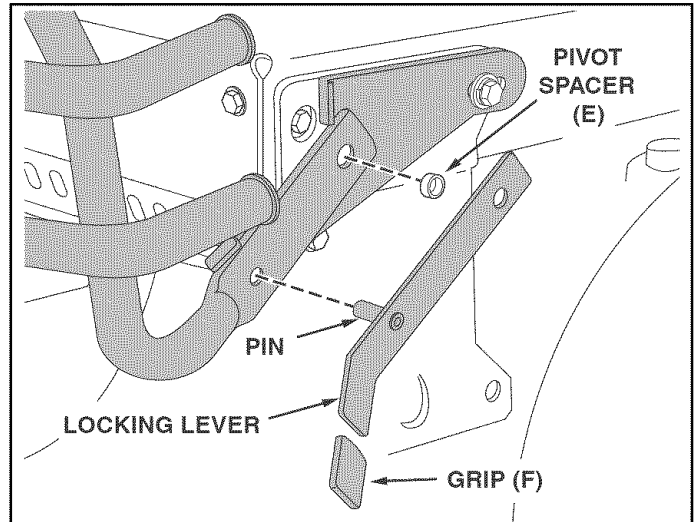


FIGURE 5

LEFT SIDE VIEW

**STEP 6: (SEE FIGURE 6)**

3. Fasten locking lever and bumper to mounting bracket using a screw (A) or bolt (B), a lock washer (H) and a flat washer (G). Use screw (A) for LT tractors and bolt (B) for GT tractors. Assemble screw or bolt through pivot spacer in rear hole in bumper and into tractor frame. **Tighten.** Repeat for other side.

**NOTE:** If hole in (LT) tractor frame is not threaded, push in while turning screw (A) to create threads in hole.

**IMPORTANT:** You must lower bumper before raising tractor hood. Pull out on locking levers and push bumper down as far as it will go.

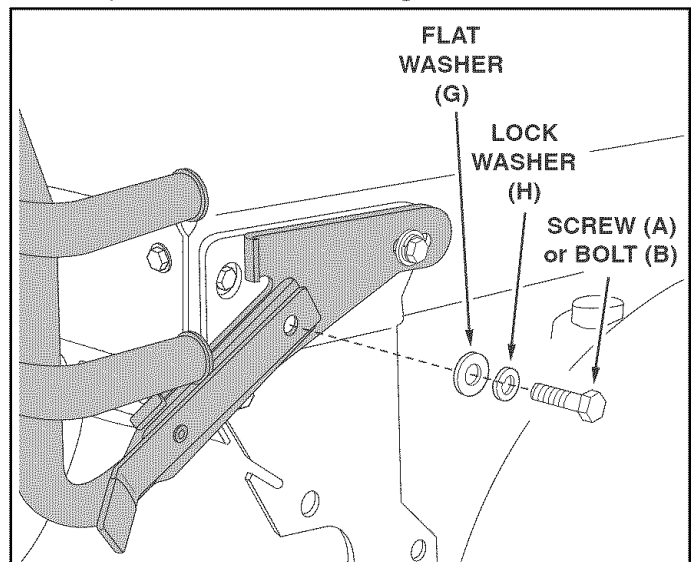


FIGURE 6

LEFT SIDE VIEW

# Get it fixed, at your home or ours!

For repair of major brand appliances **in your own home...**  
no matter who made it, no matter who sold it!

**1-800-4-MY-HOME<sup>SM</sup>** Anytime, day or night  
(1-800-469-4663)

[www.sears.com](http://www.sears.com)

To bring in products such as vacuums, lawn equipment and electronics  
for repair, call for the location of your nearest **Sears Parts & Repair Center.**

**1-800-488-1222** Anytime, day or night

[www.sears.com](http://www.sears.com)

For the replacement parts, accessories and owner's manuals  
that you need to do-it-yourself, call **Sears PartsDirect<sup>SM</sup>!**

**1-800-366-PART** 6 a.m. – 11 p.m. CST,  
(1-800-366-7278) 7 days a week

[www.sears.com/partsdirect](http://www.sears.com/partsdirect)

To purchase or inquire about a Sears Service Agreement:

**1-800-827-6655**

7 a.m. – 5 p.m. CST, Mon. – Sat.

Para pedir servicio de reparación a domicilio,  
y para ordenar piezas con entrega a domicilio:

**1-888-SU-HOGAR<sup>SM</sup>**  
(1-888-784-6427)

Au Canada pour service en français:

**1-877-LE-FOYER<sup>SM</sup>**  
(1-877-533-6937)

