

# Owner's Manual

# CRAFTSMAN®

## BROADCAST SPREADER

Model No. 486.1994



### CAUTION:

Before using this product, read this manual and follow all Safety Rules and Operating Instructions.

- Safety
- Assembly
- Operation
- Maintenance
- Parts

### IMPORTANT - READ THIS FIRST!!!

For Missing Parts or Assembly Questions

Please Call 866-576-8388

Mon.-Fri. 7 am - 5 pm CST.

FAX 217-728-2032 or e-mail [info@agri-fab.com](mailto:info@agri-fab.com)

Missing parts will be sent UPS in 24 hours directly to your home.

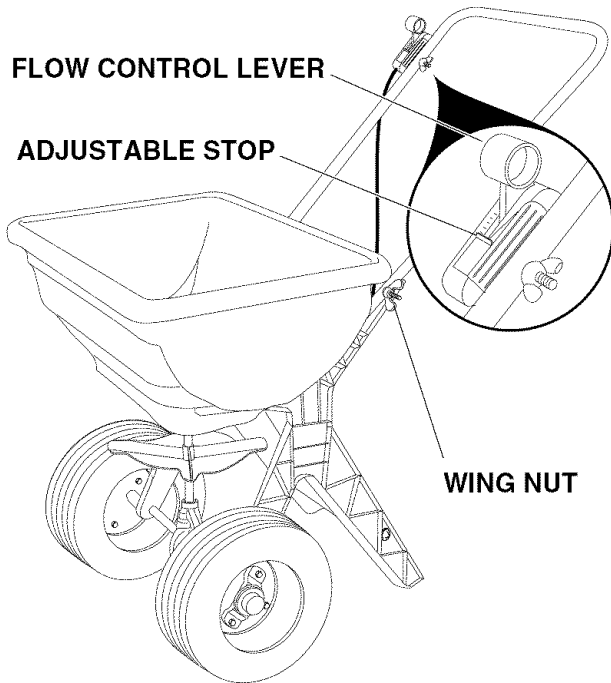
Sears, Roebuck and Co., Hoffman Estates, IL 60179 U.S.A.

[www.sears.com/craftsman](http://www.sears.com/craftsman)

## RULES FOR SAFE OPERATION

The following safety precautions are suggested. This broadcast spreader is designed, engineered and tested to offer reasonably safe and effective service, provided it is operated in strict accordance with these instructions. Failure to do so may result in personal injury. Always observe the rules of safe operation.

1. Do not allow anyone to operate the spreader without proper instructions.
2. Do not permit children to operate the spreader.
3. Wear eye and hand protection when handling and when applying lawn or garden chemicals.
4. Read the label instructions and cautions for handling and applying the chemicals purchased for spreading.
5. Keep all nuts, bolts and screws tight to be sure equipment is in safe working condition.
6. Follow maintenance and lubrication instructions as outlined in this manual.



## ADJUSTING THE FLOW RATE SETTING

1. Loosen the wing nut that fastens the control to the handle.
2. Slide the Adjustable stop to the desired setting and retighten the wing nut.

## HOW TO USE YOUR SPREADER

1. Pivot the handle up into the operating position and tighten the two wing nuts.
2. This unit will cover a 4 to 8 foot wide area depending on the material used and walking the speed of user.

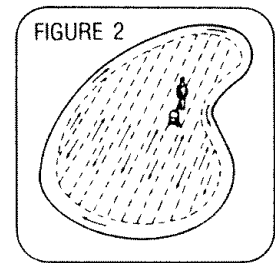
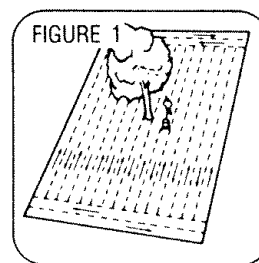
3. Check the listing on the material package or in the Recommended Spreader Settings instruction sheet for the proper spreader setting and application rate.
4. Before filling the spreader, push the control lever to the "OFF" position.
5. Move spreader onto a flat surface - either a walk or a driveway - and fill.
6. Slide the Adjustable Stop to the desired setting.
7. Start the spreader in motion, then move the control lever forward against the adjustable stop to begin spreading.

**NOTE:** Always place control lever in the "OFF" position while filling spreader and when stopping or turning to prevent excess fertilizer from being released.

## APPLICATION TIPS

1. To avoid misses or striping, make each pass about 5 feet from the previous one so some overlapping of spread pattern does occur.
2. For easiest application, spread across the shortest edges of lawn first, making two "header" strips for a turning area, and then spreading between the header strips. See figure 1.
3. If lawn is odd shaped, spread a border around the edges and then spread between the border. See figure 2.
4. Keep wheel approximately 4 feet from any area you do not wish to spread.

**IMPORTANT:** Be careful when using spreader around ornamental plants because weed controls can damage these plants.

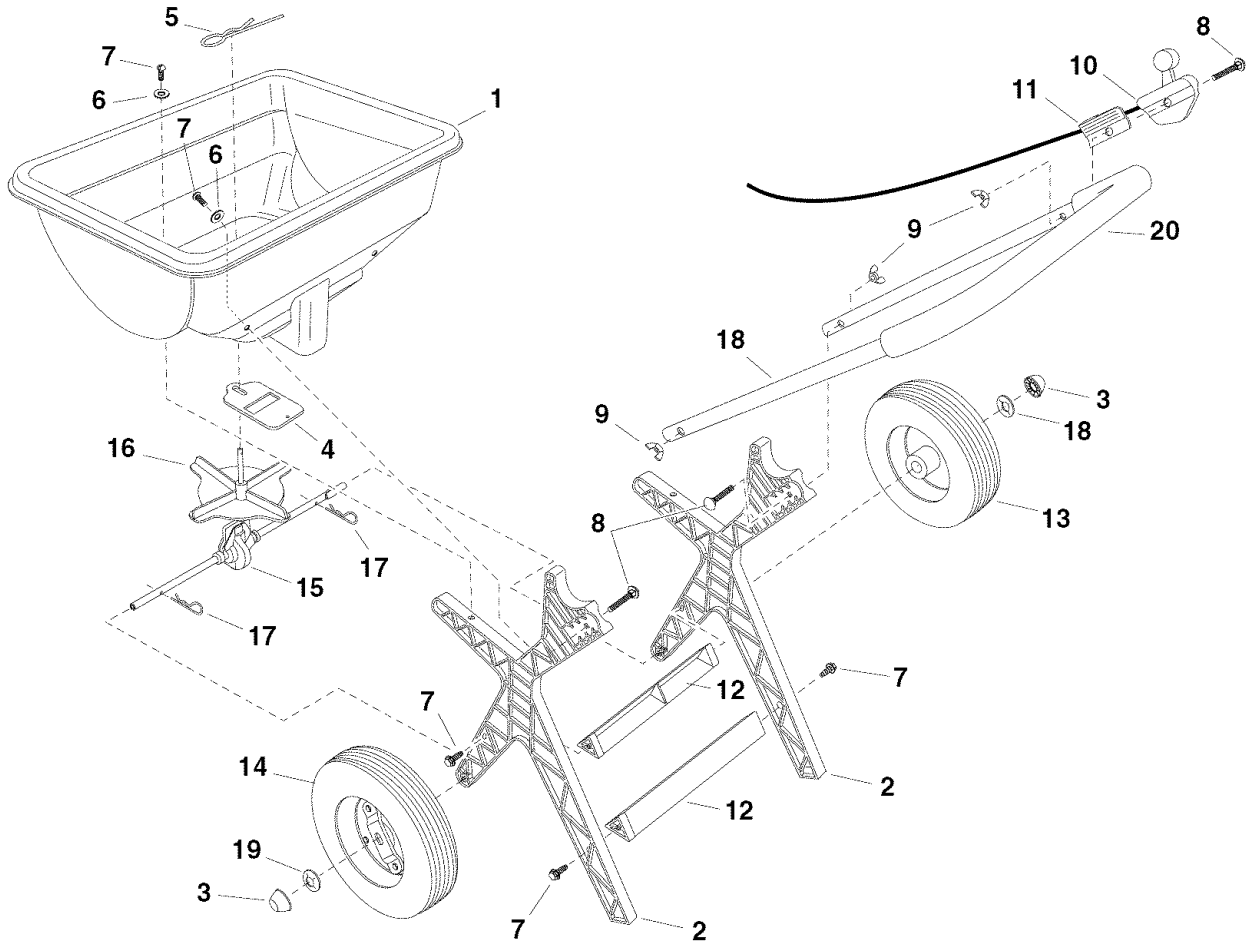


## MAINTENANCE

1. Always empty spreader after each use, storing left-over material in it's original bag.
2. Wash the spreader and dry thoroughly after each use.
3. Apply a few drops of oil to all moving parts.
4. Tighten all nuts and screws before each use.

## MODEL 71-1994 PARTS LIST

Item No.	Part No.	Description	Item No.	Part No.	Description
1	47994BLK	Hopper	11	49336	Flow Control Stop
2	47984	Leg, Plastic (2)	12	48000	Brace, Leg Plastic (2)
3	44663	Push Nut/Hub Cap (2)	13	46503	Wheel
4	47983	Flow Slide	14	48865	Drive Wheel
5	48934	Agitator, Hairpin	15	64266	Axle/Impeller Assembly
6	47113	Washer, Flat .22" x .78" (4)	16	47124	Impeller (Included in #64266)
7	44486	Screw, Hex Head #12 x 3/4" (8)	17	47134	Pin, Hair Cotter (2)
8	45165	Carriage Bolt, 1/4-20 x 2" (3)	18	47985	Handle Tube
9	47141	Wing Nut, Nylon 1/4-20 (3)	19	46557	Push Nut, 1/2" (2)
10	49447	Control Cable Assembly	20	48264	Foam Grip



# Get it fixed, at your home or ours!

For repair of major brand appliances **in your own home...**  
no matter who made it, no matter who sold it!

**1-800-4-MY-HOME<sup>SM</sup>** Anytime, day or night  
(1-800-469-4663)

[www.sears.com](http://www.sears.com)

To bring in products such as vacuums, lawn equipment and electronics  
for repair, call for the location of your nearest **Sears Parts & Repair Center.**

**1-800-488-1222** Anytime, day or night

[www.sears.com](http://www.sears.com)

For the replacement parts, accessories and owner's manuals  
that you need to do-it-yourself, call **Sears PartsDirect<sup>SM</sup>**!

**1-800-366-PART** 6 a.m. – 11 p.m. CST,  
(1-800-366-7278) 7 days a week

[www.sears.com/partsdirect](http://www.sears.com/partsdirect)

To purchase or inquire about a Sears Service Agreement:

**1-800-827-6655**

7 a.m. – 5 p.m. CST, Mon. – Sat.

Para pedir servicio de reparación a domicilio,  
y para ordenar piezas con entrega a domicilio:

**1-888-SU-HOGAR<sup>SM</sup>**  
(1-888-784-6427)

Au Canada pour service en français:

**1-877-LE-FOYER<sup>SM</sup>**  
(1-877-533-6937)

