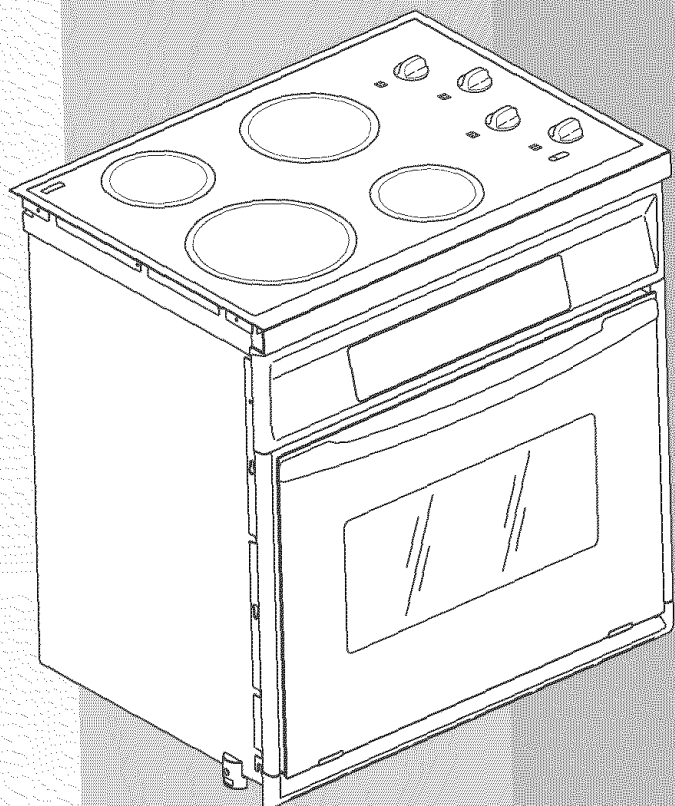


Installation Instructions



30" Drop-In Ceramic Electric Range

Quick Reference

Table of Contents:

Pages

- 1** Product dimensions
- 1** Cabinet opening dimensions
- 1** Before you start
- 2** Electrical requirements
- 2** **3** Installation steps

If you need assistance:

Check your Use and Care Guide for a toll-free number to call or call the dealer from whom you purchased this appliance. The dealer is listed in the Yellow Pages of your phone directory under "Appliances — Household — Major — Service and Repair."

Call when you:

- Have questions about range installation or operation.
- Need to obtain the name and number of an authorized service company.

When you call, you will need:

- The range model number: _____
- The range serial number: _____

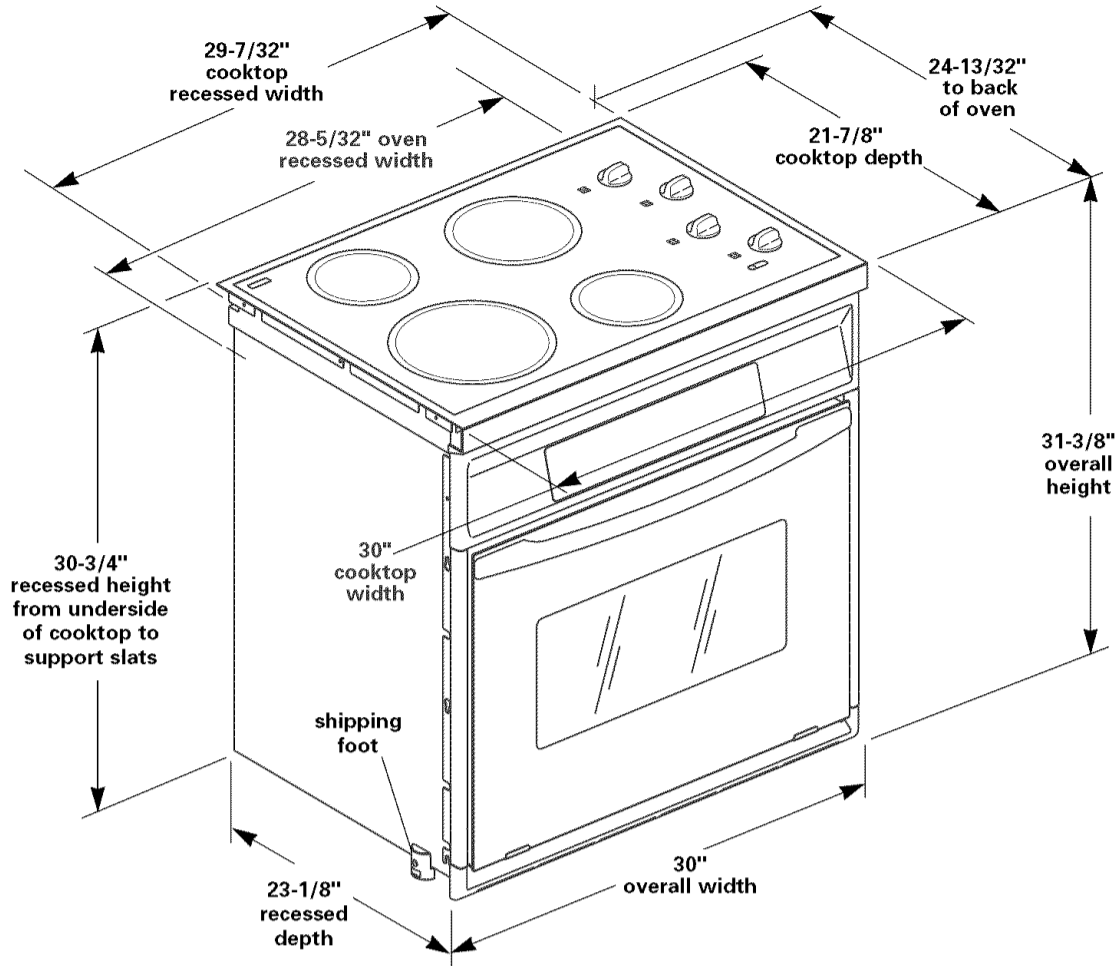
Both numbers are listed on the model/serial rating plate, located on the oven door or on the oven frame.

IMPORTANT:

IMPORTANT:

Read the installation instructions with the homeowner.

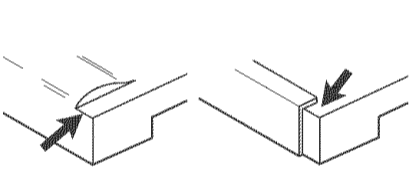
Product dimensions



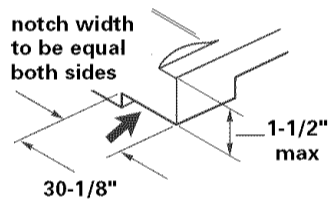
Cabinet opening dimensions

Countertop preparation:

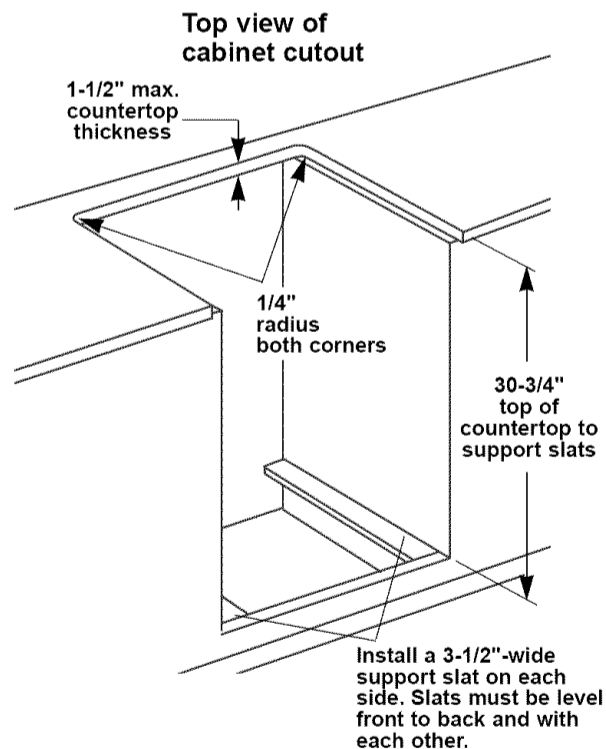
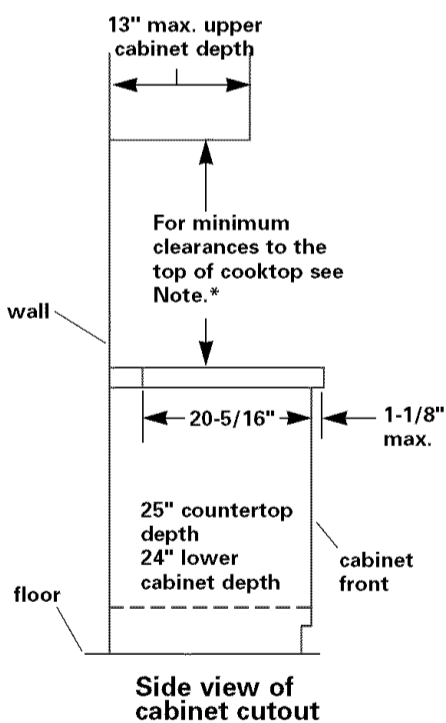
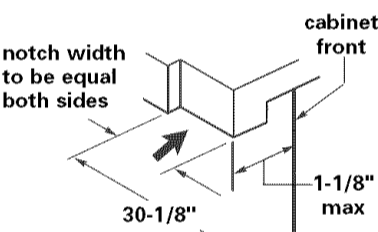
Front edges: You may need to shave or cut the trim of formed or metal front-edged countertops to clear the 30" width of cooktop.



If countertop thickness is more than 1-1/2" inches thick: Countertop must be notched as shown to avoid damaging the oven control panel.

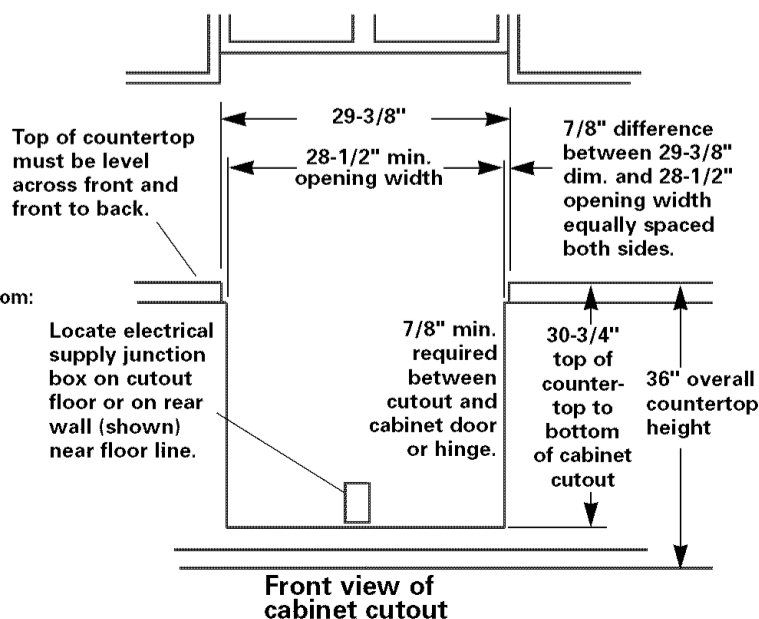


If countertop extends more 1-1/8" beyond cabinet front: Notch countertop as shown to clear oven control panel.



*Note: 24" min. when bottom of wood or metal cabinet is protected by not less than 1/4" flame retardant millboard covered with not less than No. 28 MSG sheet steel, 0.015" stainless steel, 0.024" aluminum or 0.020" copper.
30" min. clearance between the top of the cooking platform and the bottom of an unprotected wood or metal cabinet.

Copies of the standards listed may be obtained from:
** National Fire Protection Association
Batterymarch Park
Quincy, Massachusetts 02269



Before you start...

Your safety and the safety of others is very important.

We have provided many important safety messages in this manual and on your appliance. Always read and obey all safety messages.



This is the safety alert symbol. This symbol alerts you to hazards that can kill or hurt you and others. All safety messages will be preceded by the safety alert symbol and the word "DANGER" or "WARNING". These words mean:

DANGER

You will be killed or seriously injured if you don't follow instructions.

WARNING

You can be killed or seriously injured if you don't follow instructions.

All safety messages will identify the hazard, tell you how to reduce the chance of injury, and tell you what can happen if the instructions are not followed.

Important: Observe all governing codes and ordinances.

Proper installation is your responsibility. Have a qualified technician install this range.

Range location should be away from strong draft areas, such as windows, doors and strong heating vents.

Cabinet opening dimensions that are shown must be used. Given dimensions provide minimum clearance.

Recessed installation area must provide complete enclosure around the recessed portion of the range.

Electrical ground is required. See "Electrical requirements."

IMPORTANT: Some cabinet and building materials are not designed to withstand the heat produced by the oven for baking and self-cleaning. Check with your builder or cabinet supplier to make sure that the materials used will not discolor, delaminate or sustain other damage.

Range support surface MUST be solid, level and flush with bottom of cabinet cutout.

Do not seal range to side cabinets.

When installing a cooktop under existing cabinets and the installation does not meet the minimum cabinet clearances, install a range hood above the cooktop to avoid burn hazards.

It is the customer's responsibility:

To contact a qualified electrical installer.

To assure that the electrical installation is adequate and in conformance with National Electrical Code, ANSI/NFPA 70 — latest edition, and all local codes and ordinances.**

Mobile home installation

The installation of this range must conform to the Manufactured Home Construction and Safety Standards, Title 24 CFR, Part 3280 (formerly the Federal Standard for Mobile Home Construction and Safety, Title 24, HUD, Part 280); or when such standard is not applicable, the Standard for Manufactured Homes Installations (Manufactured Home Sites, Communities and Setups), ANSI A225.1/NFPA 501A, or with local codes.**

When this range is installed in mobile home, it must be secured to the floor during transit. Any method of securing the range is adequate as long as it conforms to the standards listed above.

Four-wire power supply cable must be used in a mobile home installation. The appliance wiring will need to be revised. See four-wire electrical connection, Page 3.

Tools needed:

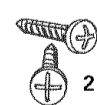


1/2" dia. router bit



Phillips screwdriver

Parts supplied:



2 screws



2 door removal pins

Electrical requirements

If codes permit and a separate ground wire is used, it is recommended that a qualified electrician determine that the ground path and wire gauge are in accordance with local codes.

Do Not ground to a gas pipe.

Check with a qualified electrician if you are not sure range is properly grounded.

Do Not have a fuse in the neutral or ground circuit.

Range **must** be connected to the proper electrical voltage and frequency as specified on the model/serial rating plate. (The model/serial rating plate is located on the oven door or on the oven frame.)

☑ CONNECT WITH COPPER WIRE ONLY.

☑ Models rated from 12.7 kW at 240 volts (9.5 kW at 208 volts) require a separate 40-ampere circuit.

☑ A time-delay fuse or circuit breaker is recommended.

☑ Connect directly to the fused disconnect (or circuit breaker box) through flexible, armored or non-metallic sheathed, copper cable (with grounding wire).

☑ Flexible armored cable from appliance should be connected directly to junction box.

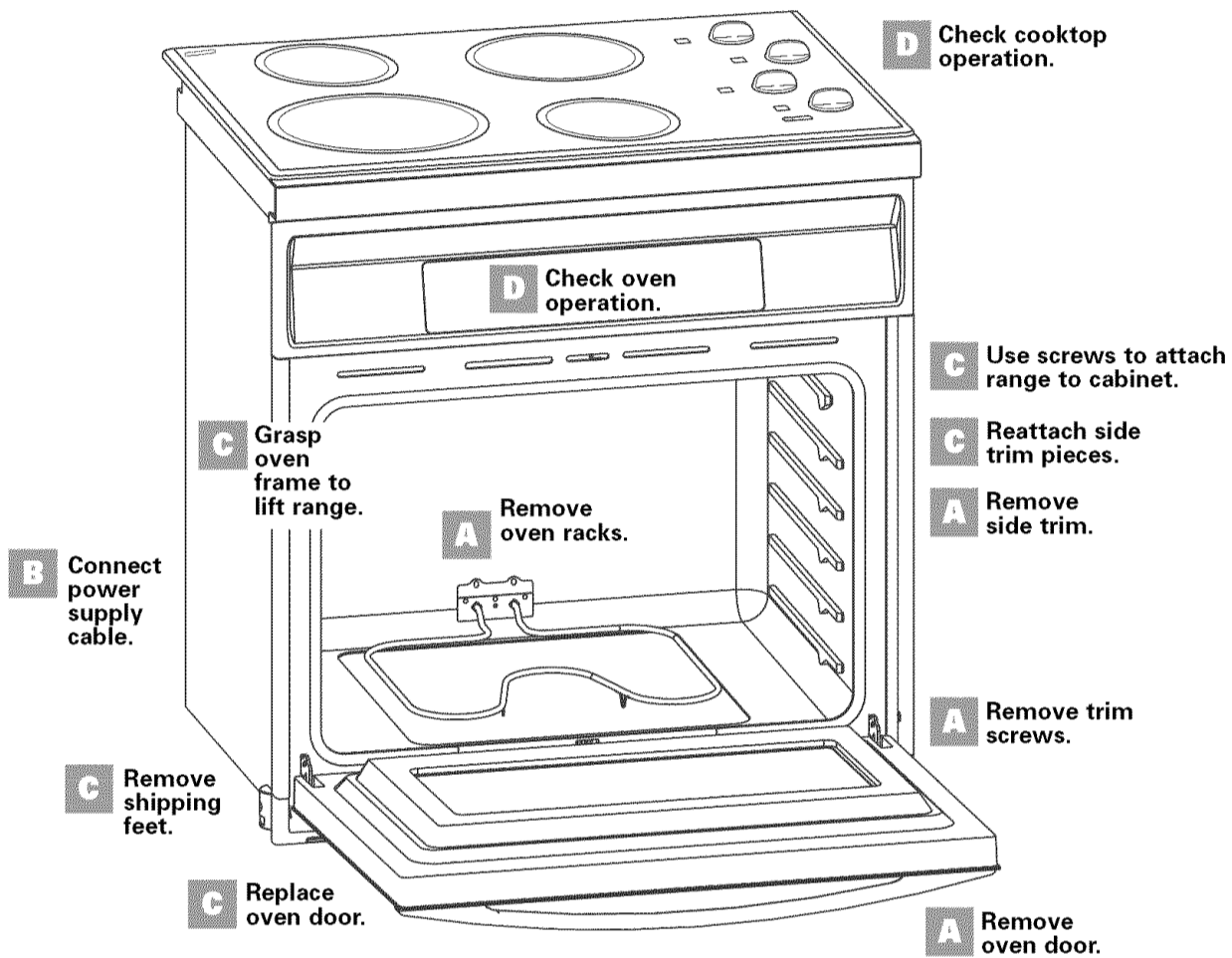
☑ Fuse both sides of the line.

☑ A U.L.-listed conduit connector **must** be provided at the junction box.

☑ Do Not cut the conduit.

Wire sizes and connections must conform with the rating of the appliance and to the requirements of the National Electrical Code, ANSI/NFPA 70 — latest edition (**See Page 1) and all local codes and ordinances.

Installation steps



A Preparation

⚠ WARNING

Excessive Weight Hazard

Use two or more people to move and install range.

Failure to do so can result in back or other injury.

Important: Use both hands to remove oven door.

Do Not use handle or any portion of the front frame or trim for lifting.

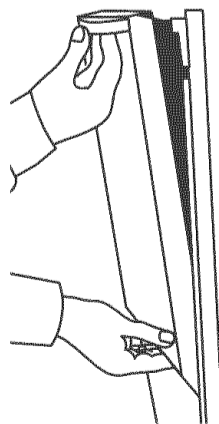
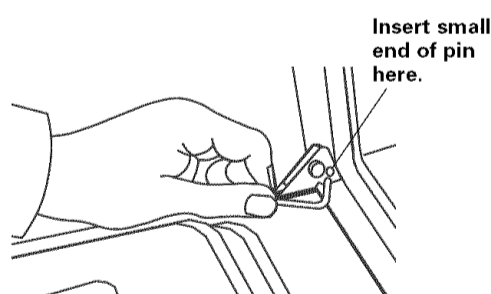
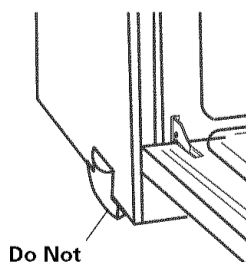
Before moving range across floor, check that range is on shipping base or slide range onto cardboard or hardboard.

Do Not remove shipping feet at the front lower corners of range.

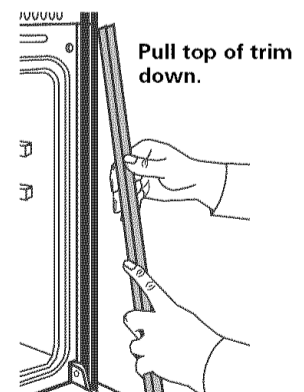
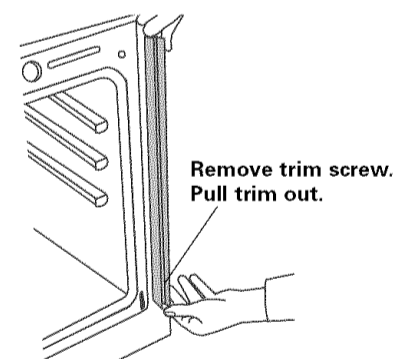
1. Turn power supply off. Move range close to final position.

- Remove and discard shipping materials, tape and protective film from the range. **Do Not remove shipping base or shipping feet at the front lower corners of range. The shipping feet will protect the lower range trim until range is inserted into cabinet.**

- Remove and set aside oven racks and other parts from inside oven.



2. Completely open oven door. Insert small end of a door removal pin into each door hinge. Grasp door handle from the bottom and gently close door as far as it will shut. Lift slightly and grasp bottom of door with other hand. Pull door out at bottom to remove. Set door aside on protected surface.



3. Remove trim screws attaching right and left side trim to range. Grasp the bottom end of trim and pull away from range. Slide top end of trim downward to remove trim from range. Take care not to scratch other surfaces with ends of trim. Set trim and screws aside on protected surface.

B Electrical connection

⚠ WARNING



Electrical Shock Hazard

Turn power supply off before connecting wires.

Use 8-gauge solid copper wire.

Electrically ground range.

Failure to follow these instructions can result in death, fire, or electrical shock.

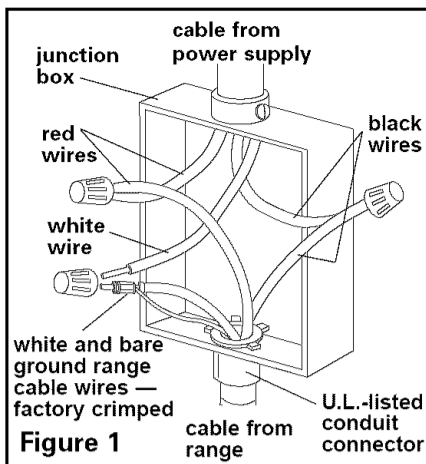


Figure 1

If local codes PERMIT connecting cabinet-ground conductor to neutral white wire in junction box:

7. Connect the factory-crimped bare and white range cable wires to the neutral (white) wire in junction box. See Figure 1.
8. Replace junction box cover.

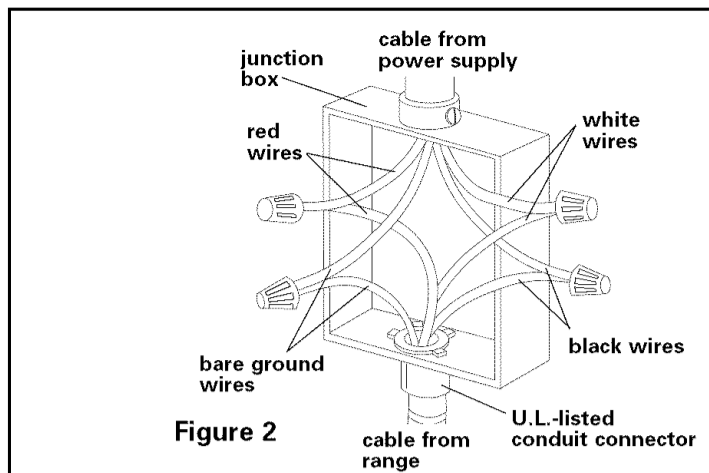


Figure 2

If local codes DO NOT PERMIT connecting cabinet-ground conductor to neutral white wire in junction box:

7. Separate the factory-crimped bare and white range cable wires.
8. Connect white range cable wire to neutral (white) wire in junction box. See Figure 2.
9. Connect the bare ground range cable wire to a grounded wire in the junction box. See Figure 2.
10. Replace junction box cover.

If connecting to a four-wire electrical system:

7. Separate the factory-crimped bare and white range cable wires.
8. Connect white range cable wire to neutral (white) wire in junction box. See Figure 2.
9. Connect the bare ground range cable wire to the green ground wire in junction box. **Do Not connect bare ground wire to neutral (white) wire in junction box.** See Figure 2.
10. Replace junction box cover.

This range is manufactured with white (neutral) power supply wire and a cabinet-connected bare ground wire twisted together.

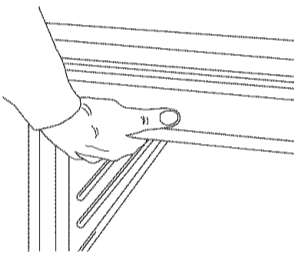
4. Make electrical connection following the steps needed for your installation.

1. Disconnect the power supply.
2. Remove the junction box cover.
3. Connect range cable to junction box through the U.L.-listed conduit connector.
4. Connect the two black wires together with twist-on connectors.
5. Connect the two red wires together with twist-on connectors.
6. Complete electrical connection according to local codes and ordinances.

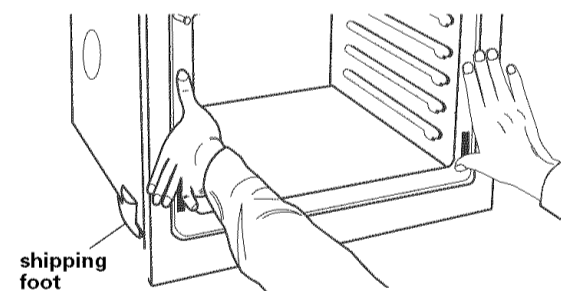
C Attachment

Carefully push against seal area of range front frame when pushing range into cabinet.

Do Not push against outside edges.



5. Lift range into cabinet cutout using the oven opening as an area to grip.



Push against seal area of front frame to push range into cabinet until shipping feet almost contact cabinet. Use a Phillips screwdriver to remove screws attaching shipping feet. Remove and discard shipping feet.

Push range completely into cabinet and center range in cabinet cutout.

⚠ WARNING



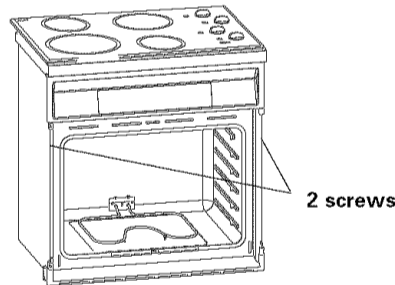
Tip Over Hazard

A child or adult can tip the range and be killed.

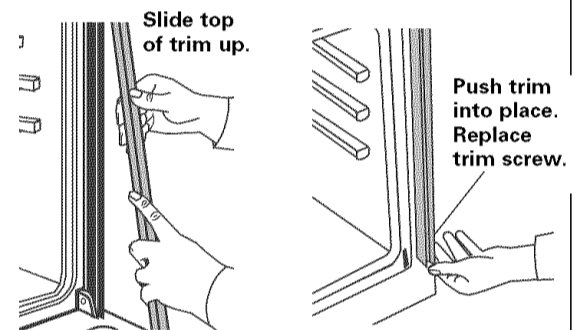
Securely attach mounting screws to cabinet.

Reattach mounting screws if the range is moved.

Failure to follow these instructions can result in death or serious burns to children and adults.

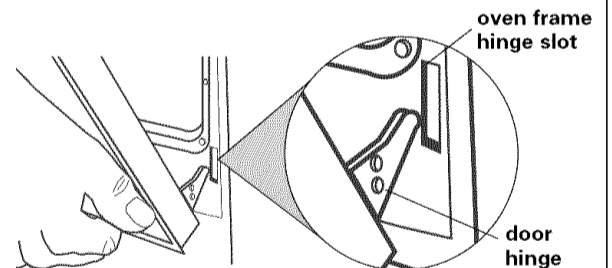


6. Important: Securely fasten range to cabinet using the two screws provided. Insert the screws through holes in mounting rails. Do Not overtighten screws.



7. Slide top end of each trim upward onto range side rails. Push each trim into place at bottom of trim. Use screws to attach each trim to range. Take care not to scratch other surfaces with ends of trim.

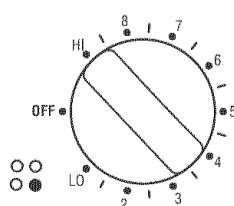
8. Replace oven racks.



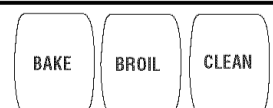
9. Replace the oven door by inserting ends of hinges into hinge slots in range frame. Push behind each hinge so that hinges are pushed into range frame as far as they will go. Open door and remove both door removal pins. Close and open door to check that door closes and opens completely. If door does not close or open completely, you have not pushed hinges completely into frame. Repeat door removal step and reinsert door into hinge slots again.

D Check operation

10. Turn on power supply. The display panel will light up briefly. "PF" should appear in the temperature display.



11. Check the operation of the cooktop elements. Push in and turn each surface unit control knob to "HI" position. Check the operation of the cooktop elements and indicator lights.



12. Check the operation of the oven element. Press the "BROIL" pad. "BROIL" will appear in the display. Press the "START" pad. Make sure the oven door is closed and the "ON" light is shown in the display area. After 2 minutes, partially open oven door. You should feel heat from the oven. Press the "CANCEL" pad. If your oven does not heat or an "F", followed by a number, appears in the display, contact your dealer or check the "If you need service..." section of this Installation Instructions.

If range does not operate:

- Check that circuit breaker is not tripped or house fuse blown.
- See Use and Care Guide for troubleshooting list.

NOTE:

Refer to Use and Care Guide for operating instructions and cleaning instructions.

If you need assistance:

If you have questions about operating, cleaning or maintaining your range:

- Refer to your Use and Care Guide.
- Call the Consumer Assistance Center: Check your Use and Care Guide for a toll-free number to call or call the dealer from whom you purchased this appliance. The dealer is listed in the Yellow Pages of your phone directory under "Appliances — Household — Major — Service and Repair."

If you need service:

Maintain the quality built into your range by calling an authorized service company.

To obtain the name and number of an authorized service company:

- Contact the dealer from whom you purchased your range; or
- Look in the Yellow Pages of your telephone directory under "Appliances — Household — Major — Service and Repair" for an authorized service company; or
- Call the Consumer Assistance Center. The toll-free phone number is listed in your Use and Care Guide.

When you call, you will need:

- The range model number.
- The range serial number.

Both numbers are listed on the model/serial rating plate, located on the oven door or on the oven frame.