

# INSTALLATION INSTRUCTIONS

## Upper Door Replacement

This kit is designed to replace the upper door on the N8MPN, N8MPL, \*8MPN, \*8MPL, \*8DNL, \*8MPT, \*8MPV, H8UH5, MUF, HL, and FUH series furnace.

\* Denotes Brand (T, H or C)

**Read the entire instructions completely before starting the installation.**

Examine kit to determine that the following parts are present with the replacement upper door:

### Parts List

Description	Part#	Qty
Model: <b>Entry Level, C, H</b>		
Door Screw *	1014488	2
Diagnostic Labels		
Single Stage	1012899	1
2-Stage	1013348	1
Operating Instruction	1013494	1
Seal Strip	1013144	3
Instructions	441 06 1048 00	1
Model: <b>Tempstar</b>		
Door Screw *	1014488	2
Diagnostic Label		
Single Stage	1012899	1
2-Stage	1013348	1
Operating Instruction	1013494	1
Seal Strip	1013144	3
Instructions	441 06 1048 00	1
Faceplate	1013489 or 1013490 or 1013491	1
Trim Strip	1013487	2

If any part is missing, immediately contact your parts supplier. Not all parts will be used.

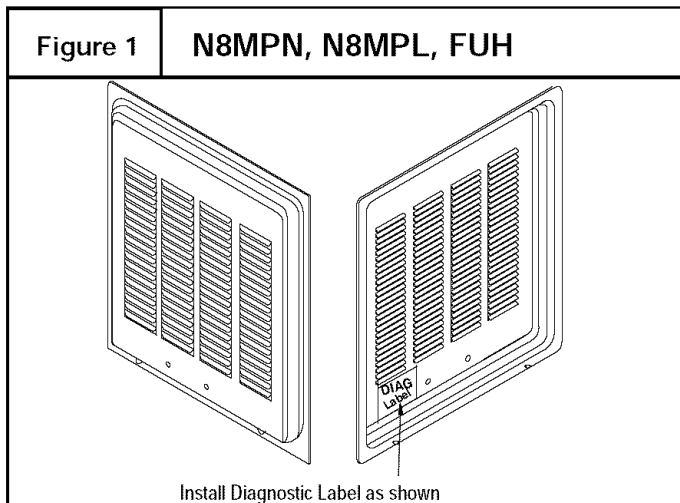
\* Denotes parts available through Fast Parts.

Others are available only through Blower Door Kits.

## Installation

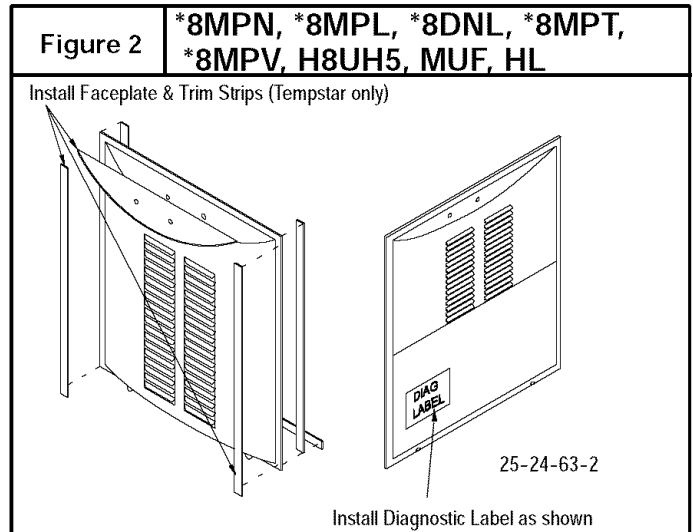
Model: N8MPN, N8MPL, FUH (See **Figure 1**)

- Place Diagnostic Label part 1012899 at the right bottom corner on the inside of the door.
- Insert the two (2) screws into the screw holes located at the front bottom of the door.
- Install the door on the furnace.



Model: \*8MPN, \*8MPL, \*8DNL, \*8MPT, \*8MPV, H8UH5, MUF, HL (See **Figure 2**)

\* Denotes Brand



- Place one Diagnostic Label on the bottom left corner of the sound shield installed on the backside of the door.

NOTE: Part 1012899 for \*8MPN, \*8MPL, \*8DNL, H8UH5, MUF, HL

Part 1013348 for \*8MPT, \*8MPV

- (Tempstar only) Insert Face Plate on the designated holes on the front of the door.
- (Tempstar only) Place Trim Strips (2) along the front side edge of the door.
- Insert door screws (2) into the screw holes located at the front bottom of the door.
- Install the door on the furnace.



## CAUTION

**CUTS AND ABRASION HAZARD.**

Failure to follow this caution could result in bodily injury.

Sheet metal parts may have sharp edges or burrs. Use care and wear appropriate protective clothing and gloves when handling parts.

NOTE: If replacing front door with machine thread thumbscrews, drill new door screw holes from 1/8" diameter to 1/4" diameter before inserting thumbscrews. Use machine thread thumbscrews from original (old) door. Discard black door screws included with this kit.

If door screws from original door are not available, 10-32 UNF thread screws available at local hardware stores can be used as replacement door screw.