

INSTALLATION INSTRUCTIONS

Blower Door Replacement

This kit is designed to replace the blower door on the N8MPN, N8MPL, N9MP1, N9MP2, *8MPN, *8MPL, *8DNL, *9MPD, *8MPT, *9MPT, *8MPV, *9MPV, H8UH5, MUF, HL, and FUH series furnace.

* Denotes Brand (T, H or C)

Read the entire instructions completely before starting the installation.

Examine kit to determine that the following parts are present with the replacement blower door:

Parts List		
Description	Part#	Qty
Model: Entry Level, C, H		
Door Screw *	1014488	2
Wiring Label		
Single Stage	1014484	1
2-Stage	1014485	1
Variable Speed (050)	1014486	1
Variable Speed	1014487	1
Export 50 Hz	1014495	1
Warning Label	1013810	1
Operating Instruction	1013494	1
Seal Strip	1013144	3
Instructions	441 06 1047 00	1
Model: Tempstar		
Door Screw *	1014488	2
Wiring Label		
Single Stage	1014484	1
2-Stage	1014485	1
Variable Speed (050)	1014486	1
Variable Speed	1014487	1
Export 50 Hz	1014495	1
Warning Label	1013810	1
Operating Instruction	1013494	1
Instructions	441 06 1047 00	1
Diagnostic Label		
Single Stage	1012899	1
2-Stage	1013348	1
Seal Strip	1013144	3
Faceplate		
1013489 or 1013490 or 1013491		1
Trim Strip	1013487	2
Hole Plug 1/4" Diameter	1010714	2

If any part is missing, immediately contact your parts supplier. Note all parts will be used.

* Denotes parts available through Fast Parts.

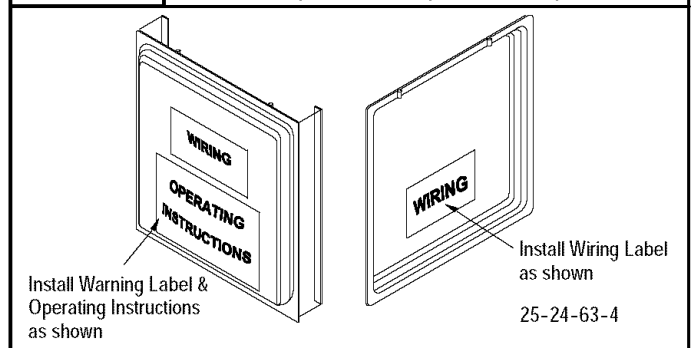
Others are available only through Blower Door Kits.

Installation

Model: N9MP1, N8MPN, N8MPL, FUH (See Figure 1)

- Place one Wiring Label part 1014484 on the inside of the door.
- Place seal strips (2) along the side edge on the inside of the door. Trim seal strip to length.
- Place Warning Label part 1013810 on the outside of the door.
- Place Operating Instruction part 1013494 below the warning label on the outside of the door.
- Insert door screws (2) into screw holes located at the front bottom of the door.
- Install the door on the furnace.

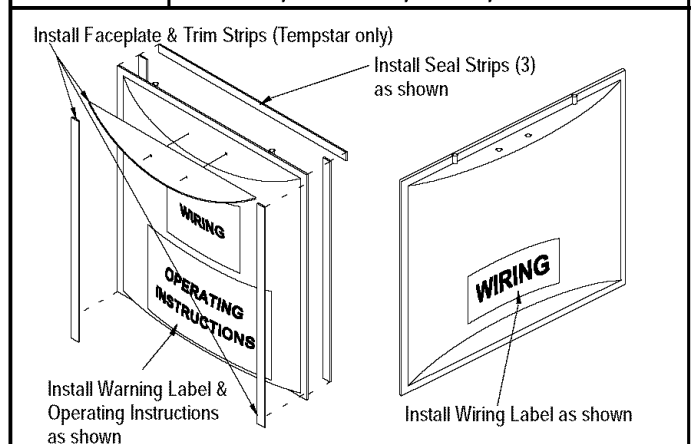
Figure 1 N9MP1, N8MPN, N8MPL, FUH



Model: *8MPN, *8MPL, *8DNL, *8MPT, *8MPV, H8UH5, MUF, H (See Figure 2)

* Denotes Brand

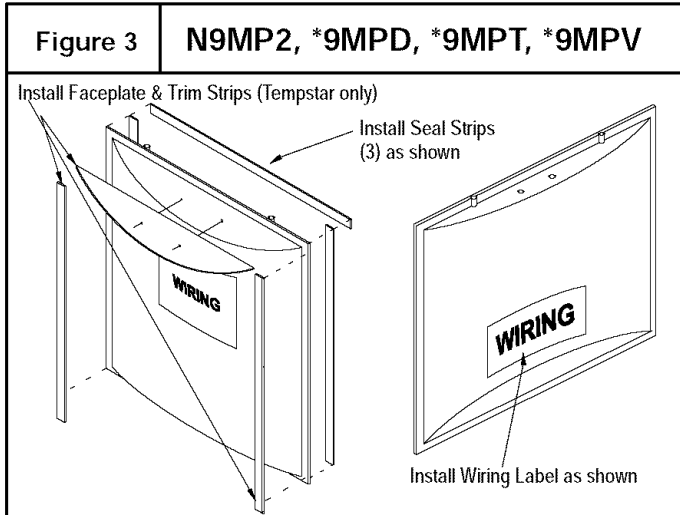
Figure 2 *8MPN, *8MPL, *8DNL, *8MPT, *8MPV, H8UH5, MUF, HL



- Place one Wiring Label on the inside of the door.
NOTE: Part 1014484 for *8MPN, *8MPL, *8DNL
Part 1014485 for *8MPT
Part 1014486 for *8MPV050B12
Part 1014487 for *8MPV
Part 1014495 for H8UH5, MUF, HL
- Place seal strips (2) along the side edge on the inside of the door and trim to length.
- Place another seal strip along the bottom edge on the inside of the door and trim to length.
- Place Warning Label part 1013810 on the outside of the door.
- Place Operating Instruction part 1013494 below the warning label on the outside the door.

6. (Tempstar only) Insert Face Plate on the designated holes on the front of the door.
7. Install Hole Plugs (2) on faceplate.
8. (Tempstar only) Place Trim Strips (2) along the front side edge of the door.
9. Insert door screws (2) into screw holes located at the front bottom of the door.
10. Install the door on the furnace.

Model: N9MP2, *9MPD, *9MPT, *9MPV (See Figure 3)
 * Denotes Brand



1. Place one Wiring Label on the inside of the door.

NOTE: : Part 1014484 for N9MP2, *9MPD
 Part 1014485 for *9MPT
 Part 1014486 for *9MPV050F12
 Part 1014487 for *9MPV

2. Place seal strips (2) along the side edge on the inside of the door and trim to length.
3. Place another seal strip along the top edge on the inside of the door and trim to length.
4. Place Warning Label part 1013810 on the outside of the door.
5. (Tempstar only) Insert Face Plate on the designated holes on the front of the door.
6. (Tempstar only) Install Hole Plugs (2) on faceplate.
7. (Tempstar only) Place Trim Strips (2) along the front side edge of the door.
8. Insert door screws (2) into screw holes located at the front bottom of the door.
9. Install the door on the furnace.

⚠ CAUTION

CUTS AND ABRASION HAZARD.

Failure to follow this caution could result in bodily injury.

Sheet metal parts may have sharp edges or burrs. Use care and wear appropriate protective clothing and gloves when handling parts.

NOTE: If replacing blower door with machine thread thumbscrews, drill new door screw holes from 1/8" diameter to 1/4" diameter before inserting thumbscrews. Use machine thread thumbscrews from original (old) door. Discard black door screws included with this kit.

If door screws from original door are not available, use 10-32 UNF thread screws available at local hardware stores.