

INSTALLATION INSTRUCTIONS

Downflow Vent Guard Kit No: NAHA002VC

This kit is designed for use on the N8MPN, N8MPL, *8MPN, *8MPL, *8MPT, & *8MPV when used in downflow applications.

* Denotes Brand (T, H or C)

Please read these instructions completely before attempting installation.

Safety Considerations

Installing and servicing of heating equipment can be hazardous due to gas and electrical components. Only trained personnel should install or service heating equipment.

Untrained personnel can perform basic maintenance such as cleaning and replacing filters. All other operations should be performed by trained service personnel. When working on heating equipment, observe precautions in the literature, on tags, and on labels attached to the unit. Follow all safety codes. Wear safety glasses and work gloves. Have a fire extinguisher available. Recognize safety information.

⚠ This is the safety-alert symbol. When you see this symbol on the furnace and in instructions or manuals, be alert to the potential for personal injury. Understand the signal words DANGER, WARNING, CAUTION, and NOTE. These words are used with the safety-alert symbol. DANGER identifies the most serious hazards which will result in severe personal injury or death. WARNING signifies a hazard which could result in personal injury or death. CAUTION is used to identify unsafe practices which would result in minor personal injury or product and property damage. NOTE is used to highlight suggestions which will result in enhanced installation, reliability, or operation.



CAUTION

CUTS AND ABRASION HAZARD

Failure to follow this caution may result in personal injury.

Sheet metal parts may have sharp edges or burrs. Use care and wear appropriate protective clothing and gloves when handling parts.

INTRODUCTION

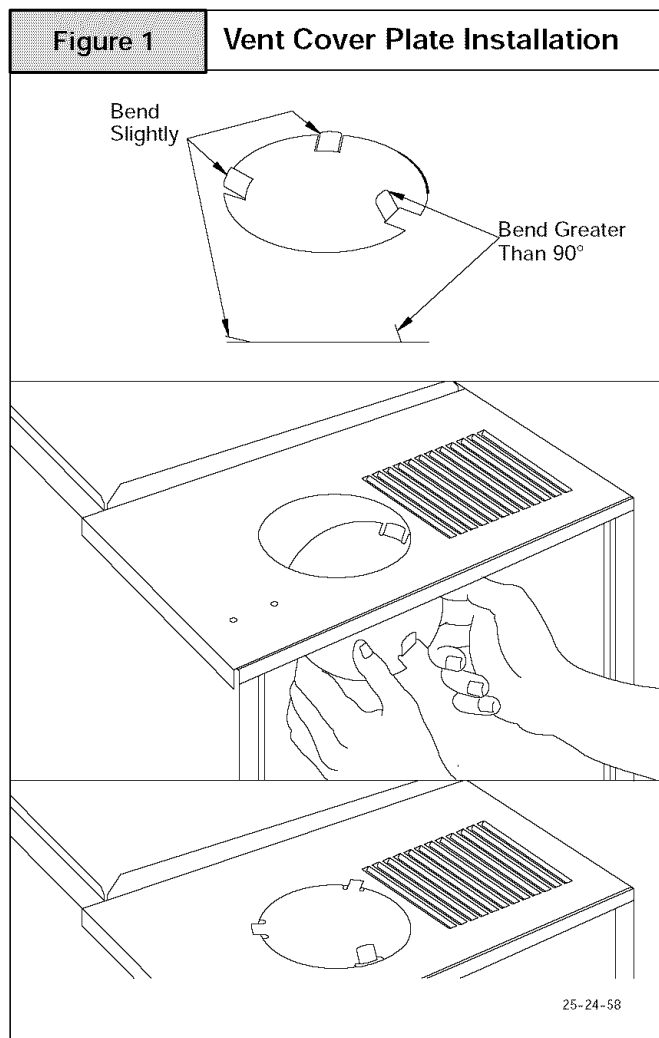
To protect against exposed hot surfaces, the downflow vent guard should always be used when the vent pipe is installed along the outside of the furnace casing in a downflow application. This kit is designed for single- or double-wall 4" pipe. Type B vent connector after the Vent Guard is REQUIRED for all 2-stage furnace applications.

TABLE 1	Kit Contents	
DESCRIPTION	PART NO.	QUANTITY
Vent Guard	328552-4	1
Vent Guard Top	328553-4	1
Vent Guard Bottom	328554-4	1
Vent Cover Plate	328555-4	1
Screw	HEX HD 8B 3/8	10
Installation Instructions	441 06 1045 00	1
Operating Instructions	1013494	1
Warning Label	1013810	1

INSTALLATION

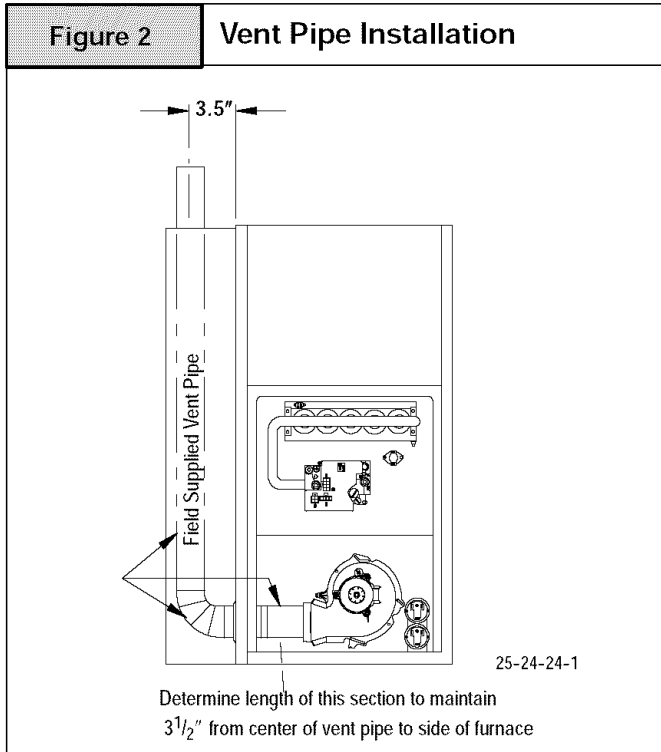
NOTE: Vent Guard may be installed on the left or right side of the furnace.

1. Bend tabs on the Vent Cover Plate up and insert below opening, then bend tabs down over top of furnace. (See Figure 1).

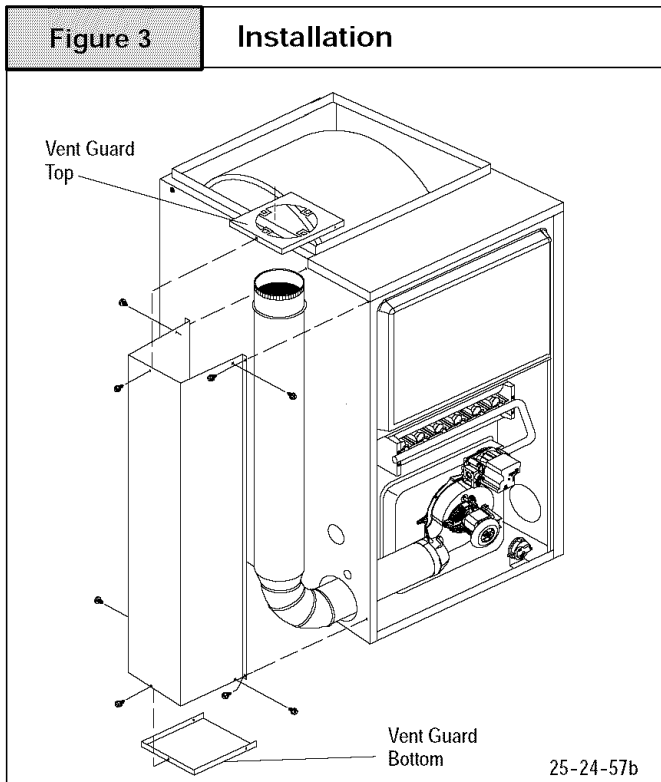


2. With the furnace in the downflow orientation, drill four (4) 1/8" holes thru the casing as indicated by dimples on the furnace.

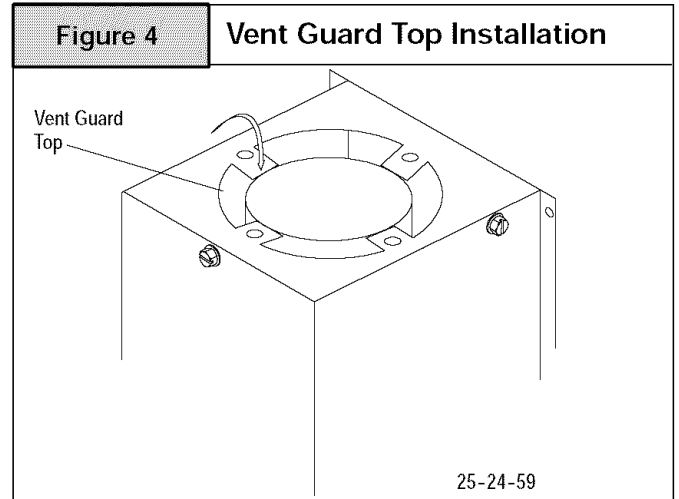
- Attach vent pipe and elbow to Furnace vent outlet with at least two field supplied corrosion resistant sheet metal screws located 180° apart at each connection joint. (See **Figure 2**) Maintain 3¹/₂" from center of vent pipe to side of furnace. Do not continue to install remaining vent system until the Vent Guard Top is installed.



- Position the Vent Guard on the casing side, aligning the top and bottom holes in the Guard flange with the holes in the furnace casing. (See **Figure 3**) Secure the Guard to the casing with screws through these holes.



- Position Vent Guard Top on Guard (See **Figure 4**). Bend centering tabs equally.
- Fasten Guard Top with three(3) screws (see **Figure 4**).



- Position Guard Bottom at bottom of vent guard and secure with three(3) screws (see **Figure 3**).
- Install furnace door on casing and check fit.
- Complete installation of the vent system.

APPLICATION TIP

Before drilling additional holes in furnace casing or vent guard, be aware of what is on the other side. Screws tips may damage internal furnace components or vent system resulting in electrical shocks or shorting, flue gas leakage, or other hazardous conditions.

Label Installation

- Remove the paper backing from the appropriate label.
- Orient the label in the correct position and apply over the surface of the old label. Prevent air bubbles in the new label by applying the label at one corner and smooth the label out, working toward the opposite corner.
- Repeat for other labels

CAUTION

CUTS AND ABRASION HAZARD

Failure to follow this caution may result in personal injury.

Sheet metal parts may have sharp edges or burrs. Use care and wear appropriate protective clothing and gloves when handling parts.