

# INSTALLATION INSTRUCTIONS

## For Long Vent Pressure Switch Kits

This kit is designed to replace the standard pressure switch on the N9MP1100F14A2, N9MP1100J20A2, N9MP2075B12A2, N9MP2100F14A2, N9MP2100J20A2, \*9MPD100J14A2 and \*9MPD100J20A2 with a dual pressure switch for long vent installations.

\* Denotes Brand (T, H or C)

**Please read these instructions completely before attempting installation.**

Examine Kit to determine that the following parts are present:

If any parts are missing, immediately contact your parts supplier.

Kit Model No	Use with Furnace Model No
NAHA001LV01 (Standard)	N9MP1075B12A2 N9MP1100F14A2 N9MP2075B12A2 N9MP2100F14A2
<b>Parts List</b>	
<b>Description</b>	<b>Part No.</b> <b>Qty.</b>
Pressure Switch	1013518 1
Hose, Blower 10"	1009238 1
Hose, Transition 21"	1009238 1
Wire Asy.	1013814 1
Instructions	441 06 1033 01 1
NAHA002LV01 (Standard)	N9MP1100J20A2 N9MP2100J20A2 *9MPD100J14A2 *9MPD100J20A2
<b>Parts List</b>	
<b>Description</b>	<b>Part No.</b> <b>Qty.</b>
Pressure Switch	10135185 1
Hose, Blower 10"	1009238 1
Hose, Transition 21"	1009238 1
Wire Asy.	1013814 1
Instructions	441 06 1033 01 1
NAHA003LV01 (Hi-Altitude)	N9MP1075B12A2 N9MP1100F14A2 N9MP1100J20A2 N9MP2075B12A2 N9MP2100F14A2 N9MP2100J20A2 *9MPD100J14A2 *9MPD100J20A2
<b>Parts List</b>	
<b>Description</b>	<b>Part No.</b> <b>Qty.</b>
Pressure Switch	10135165 1
Hose, Blower 10"	1009238 1
Hose, Transition 21"	1009238 1
Wire Asy.	1013814 1
Instructions	441 06 1033 01 1

### ⚠ **WARNING**

**FIRE, EXPLOSION, CARBON MONOXIDE POISONING HAZARD.**

This conversion kit shall be installed by a qualified service technician in accordance with the Manufacturer's instructions and all applicable codes and requirements of the authority having jurisdiction. The qualified service agency performing this work assumes responsibility for the proper conversion of this furnace with this kit.

Failure to follow these instructions exactly can result in death, personal injury and/or property damage.

### ⚠ **WARNING**

**ELECTRIC SHOCK HAZARD/FIRE AND/OR EXPLOSION HAZARD.**

Turn OFF gas supply at manual gas valve before turning OFF electric power supply and starting installations.

Turn OFF electric power supply at disconnect switch or service panel before starting installations.

Failure to follow this warning can result in death, personal injury, property damage, and/or equipment damage.

### Disassembly

1. After turning off the electrical power supply to the furnace, remove the burner compartment access door to the furnace.
2. Remove the two (2) blue wires from the 1/4" terminals on the pressure switch.
3. Remove the 5/16" OD rubber hose from the pressure tap on the plastic transition box that connects to the pressure switch.
4. Remove the two (2) screws that fasten the pressure switch to the front of the blower partition and remove the switch from the furnace.

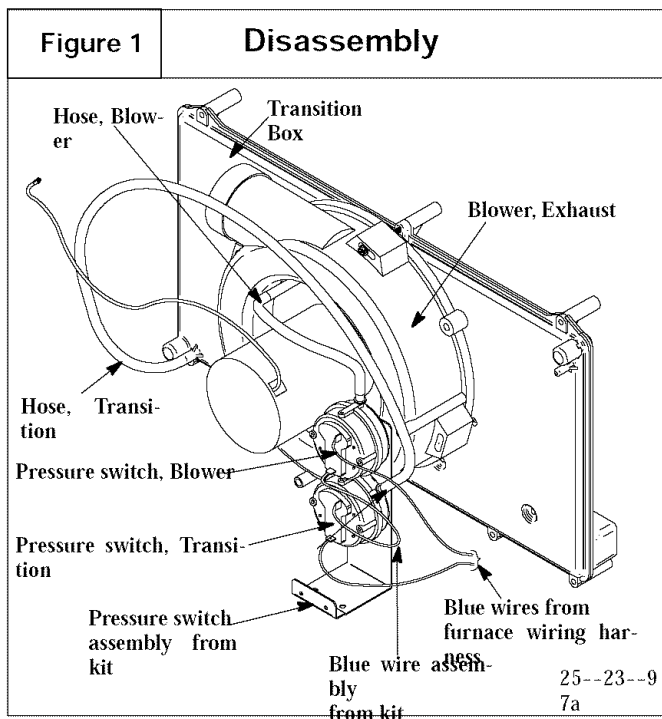
## Pressure Switch Installation (See Figure 1)

1. Position the pressure switch from the kit on to the blower partition and fasten with the two screws removed above.
  2. Connect the blue wire assembly from the kit to the  $\frac{1}{4}$ " common terminal on the pressure switch marked "blower" and to the  $\frac{1}{4}$ " normally open terminal on the pressure switch marked "transition".
  3. Connect the two blue wires that were removed above to the remaining  $\frac{1}{4}$ " terminals on the pressure. One blue wire connects to the  $\frac{1}{4}$ " normally open terminal on the pressure switch marked "blower" and one blue wire connects to the  $\frac{1}{4}$ " common terminal on the pressure switch marked "transition".
  4. Connect the 10" length of  $\frac{5}{16}$ " OD rubber hose from the kit to the pressure tap on the pressure switch marked "blower" and to the pressure tap on the exhaust blower.
  5. Connect the 21" length of  $\frac{5}{16}$ " OD rubber hose from the kit to the pressure tap on the pressure switch marked "transition" and to the pressure tap on the plastic transition box.
- NOTE:** Make sure that the pressure tap on the plastic transition is the correct one for the installation position for the furnace as outlined in the Installation Instructions.
6. Install the furnace access door.
  7. Turn on the 115 VAC 60 Hz electric power supply to the furnace.

### CAUTION

If any sparks, odors or unusual noises occur, immediately shut OFF the electric power to the furnace. Check for wiring errors to the pressure switches.

8. Turn on the gas supply to the furnace at the manual gas valve.



## Venting Tables for Long Vent Pressure Switch Kits

Refer to the "Vent and Combustion Air Piping" and "Concentric Termination" sections in the Installation Manual included with the furnace for venting guidelines with the long vent kits. Refer to the *Technical Support Manual* included with the furnace for pressure switch settings and furnace operating pressures.

Table 1	Pipe Diameter Table N9MP1 & *9MPD Models
<b>100,000 Btuh Furnace</b>	
70' & (5) 90° elbows with 3" PVC pipe Elbows are DWV long radius type.	

Table 2	Pipe Diameter Table N9MP2 Models
<b>75,000 Btuh Furnace</b>	
40' & (5) 90° elbows with 2" PVC pipe	
<b>100,000 Btuh Furnace</b>	
70' & (5) 90° elbows with 3" PVC pipe Elbows are DWV long radius type.	

Table 3	Concentric Termination Kit Venting Table *9MPD Models
<b>100,000 Btuh Furnace</b>	
NAHA001CV -- 65' & (4) 90° elbows with 3" PVC pipe Elbows are DWV long radius type.	

Table 4	Concentric Termination Kit Venting Table N9MP2 Models
<b>75,000 Btuh Furnace</b>	
NAHA002CV -- 35' & (4) 90° elbows with 2" PVC pipe	
<b>100,000 Btuh Furnace</b>	
NAHA001CV -- 65' & (4) 90° elbows with 3" PVC pipe Elbows are DWV long radius type.	