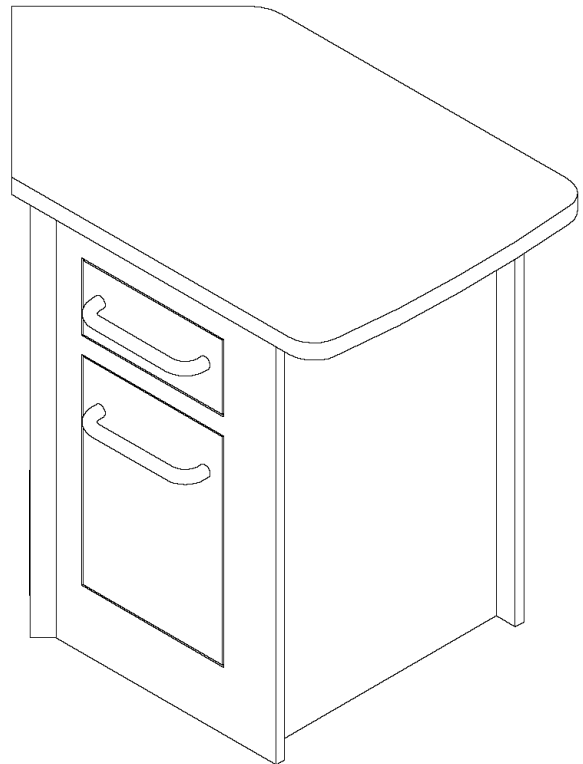
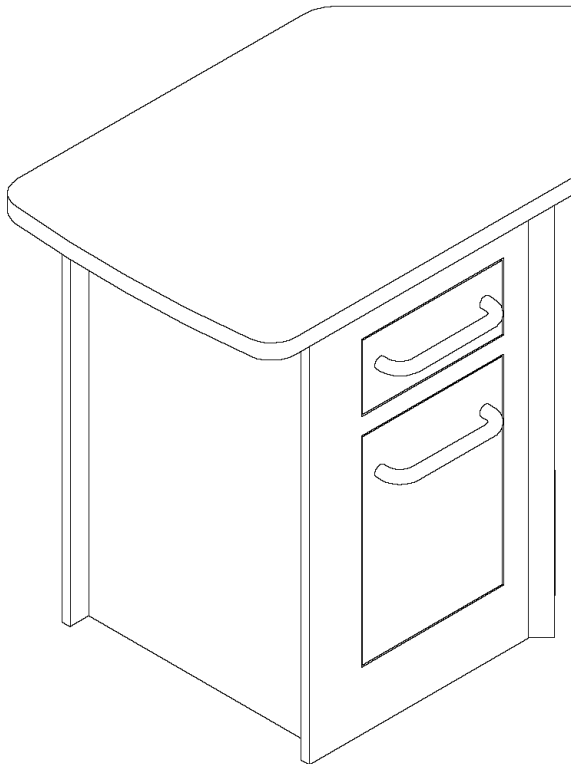




# Island Kit

Model 141.166981 and 141.166991



 **WARNING** 

Your Island Kit is very heavy. With the assistance of another person, use care when unpacking, moving and assembling the granite pieces to avoid bodily injury and breakage of the granite.

**IMPORTANT:**

- **NOTE TO ASSEMBLER / INSTALLER:**  
Leave this manual with the consumer.
- **NOTE TO CONSUMER:**  
Keep this manual for future reference.
- **RECORD YOUR SERIAL #** \_\_\_\_\_  
(see silver label on main body of Island)

**Customer Support Helpline:**

Call us first if you have any problem with this product. We can help you with questions about assembly and operation or if there are damaged or missing parts when you unpack this unit from the shipping box. Please call before returning to the store.

**1-888-317-7642**  
8am-8pm CST, Monday through Friday

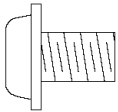
**Sears, Roebuck and Co.,  
Hoffman Estates, IL 60179 U.S.A.**

## Hardware Pack Parts List for 141.166981 & 141.166991

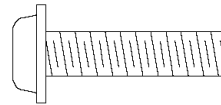
The following table illustrates a breakdown of the hardware pack. It highlights what components are used in the various stages of assembly.

PART #	PART DESCRIPTION	QTY	PURPOSE OF PART
P06016001B	Hardware Pack	1	For use in assembly
S122G04061	Phillips Head Screw 1/4"x3/8"	4	Attaches Weights to Decorative Panels
S313G04061	Flange Nut 1/4"	2	
S122G04161	Phillips Head Screw 1/4"x1"	8	Attaches Handles to Door and Drawers
S194G04121	Hex Socket Set Screw 1/4"x3/4"	8	Attaches Granite Table Top Panels
S313G04061	Flange Nut 1/4"	8	
P05515006B	Hex Key Wrench	1	Tightens Hex Socket Set Screws
<b>Already installed in your grill</b>			
S112G04121	Phillips Head Screw 1/4"x3/4"	4	The Screws are taken from Grill Side Shelf to attach Island Frames to the sides of Grill

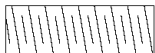
## Hardware Pack Diagram for 141.166981 & 141.166991



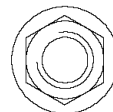
S122G04061  
Qty. 4  
Phillips Head Screw 1/4"x3/8"



S122G04161  
Qty. 8  
Phillips Head Screw 1/4"x1"



S194G04121  
Qty. 8  
Hex Socket Set Screw 1/4"x3/4"



S313G04061  
Qty. 10  
Flange Nut 1/4"



P05515006B  
Qty. 1  
Hex Key Wrench

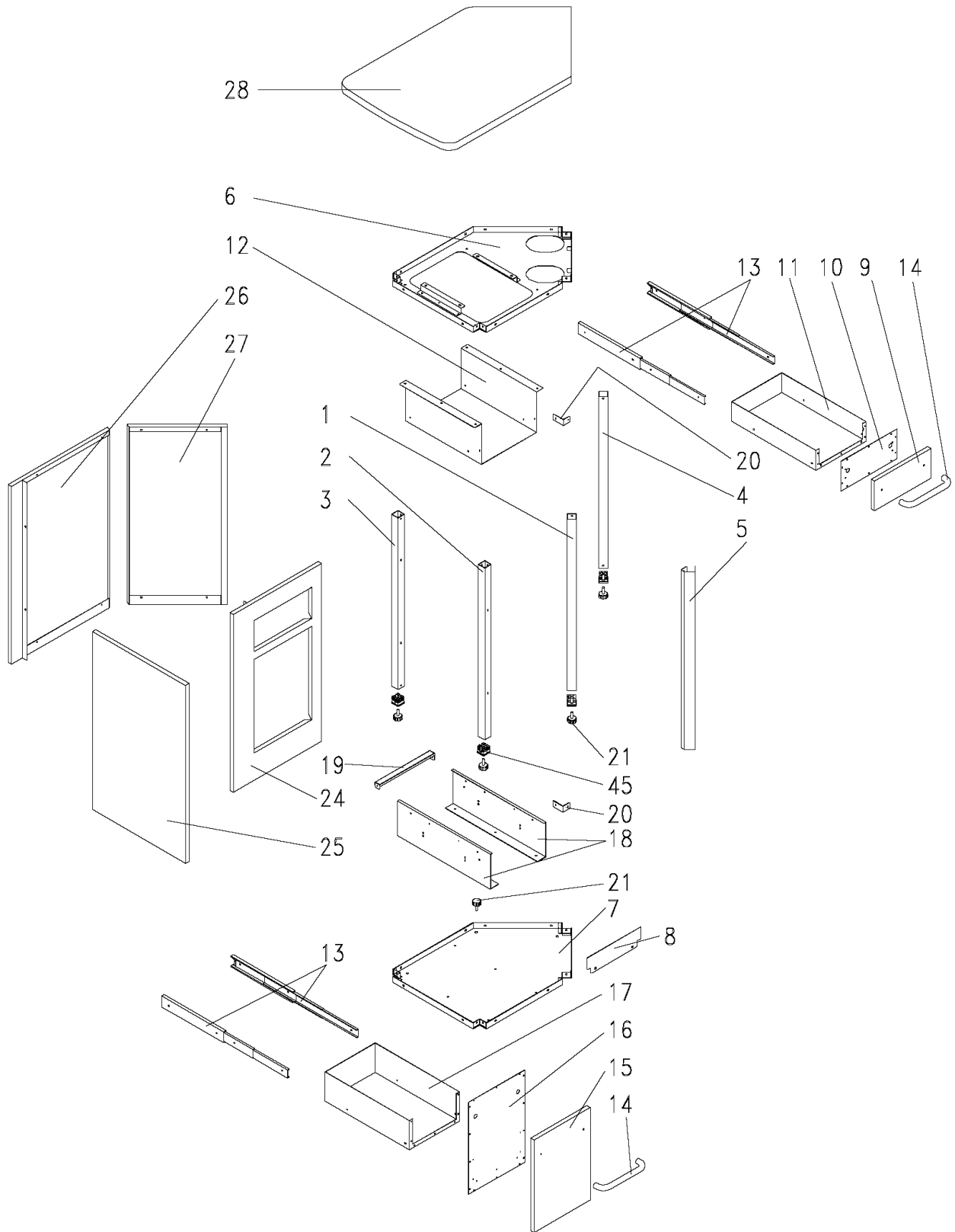
**Hardware already installed in your grill**



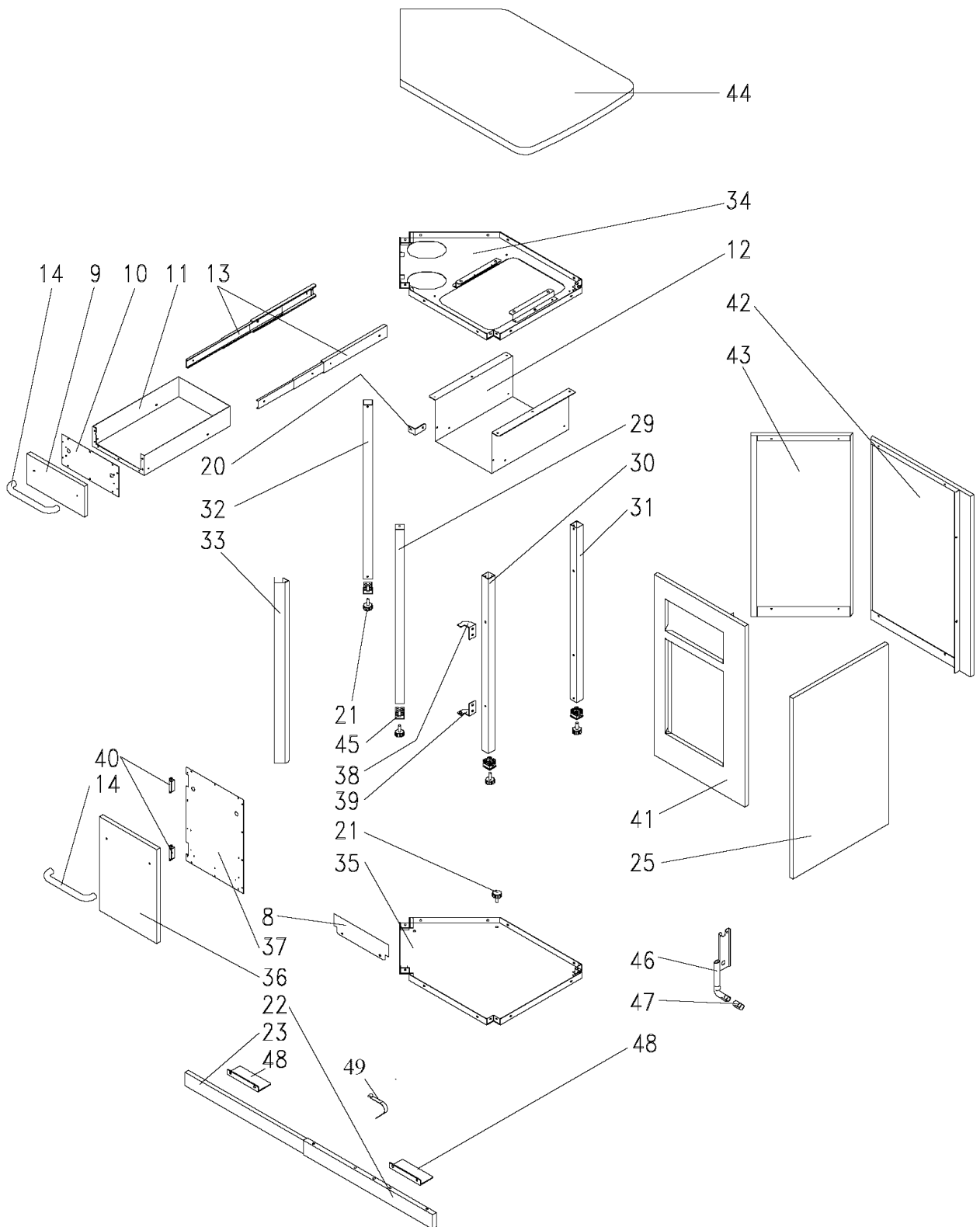
S122G04121  
Qty. 4  
Phillips Head Screw 1/4"x3/4"

**NOTE:**  
Screws needed to attach Island Frame to Grill Frame. Use screws for side shelf installation that are packed with Grill.

# Parts Diagram for Models 141.166981 & 141.166991



# Parts Diagram for Models 141.166981 & 141.166991



## Parts List for Models 141.166981 & 141.166991

KEY	DESCRIPTION	PART#	QTY
1	Leg, Right Front/Left Island	P00912007G	1
2	Leg, Left Front/Left Island	P00910007G	1
3	Leg, Left Rear/Left Island	P00911007G	1
4	Leg, Right Rear/Left Island	P00913007G	1
5	Decorative Strip Plate/ Left Island	P07505001A	1
6	Table Top Frame/ Left Island	P01004005K	1
7	Bottom Shelf/Left Island	P01004006K	1
8	Covering Plate	P07515007D	2
9	Drawer Panel, Upper	P01902001B	2
10	Drawer Trim Plate, Upper	P01910001G	2
11	Drawer, Upper	P01906001B	2
12	Drawer Slide Bracket, Upper	P01908001G	2
13	Drawer Slide Set	P05516005L	3
14	Handle, Drawer/Door	P00205019B	4
15	Drawer Panel, Lower/Left Island	P01902002B	1
16	Drawer Trim Plate, Lower/Left Island	P01910002G	1
17	Drawer, Lower/Left Island	P01906002B	1
18	Drawer Slide Bracket, Lower/Left Island	P01908002G	2
19	Drawer Slide Bracket Brace, Lower/Left Island	P01911001G	1
20	Drawer Slide Bracket Fastener	P01911002G	3
21	Level Adjuster	P05322036A	10
22	Decorative Panel/Outer	P07901019A	1
23	Decorative Panel/Inner	P07901020A	1
24	Panel, Front/ Left Island	P07901001A	1
25	Panel, Left/Left Island; Right/Right Island	P07901002A	2
26	Panel, Rear/Left Island	P07901003A	1
27	Panel, Right/Left Island	P07901004A	1
28	Table Top, Left Island/Granite/Rustic Tan	P07802001A	1
	Table Top, Left Island/Granite/Panama Gray	P07803001A	1
29	Leg, Left Front/Right Island	P00913008G	1
30	Leg, Right Front/Right Island	P00911002G	1
31	Leg, Right Rear/Right Island	P00910002G	1
32	Leg, Left Rear/Right Island	P00912002G	1
33	Decorative Strip Plate/ Right Island	P07504001A	1
34	Table Top Frame/ Right Island	P01004007K	1
35	Bottom Shelf/ Right Island	P01004008K	1
36	Door Panel/ Right Island	P04303015A	1
37	Door Trim Plate/Right Island	P07507002D	1
38	Door Hinge Bracket, Upper/Right Island	P03314001C	1
39	Door Hinge Bracket, Lower/Right Island	P03314002C	1
40	Door Magnet/Right Island	P05523002K	2
41	Panel, Front/Right Island	P07901005A	1
42	Panel, Rear/Right Island	P07901006A	1
43	Panel, Left/Right Island	P07901007A	1
44	Table Top/ Right Island/Granite/Rustic Tan	P07802002A	1
	Table Top/ Right Island/Granite/Panama Gray	P07803002A	1
45	Leg Seat	P04509002A	8
46	Lighting Tube	P05313001C	1
47	Lighting Tube Extension	P05313002C	1
48	Decorative Panel/Weight	P05344001H	2
49	Decorative Panel Adjusting Bracket	P07901021A	1
----	Hardware Pack	P06016001B	1
----	Operator's Manual	P80147001C	1

For the repair or replacement parts you need: Call anytime **1-800-4-MY-HOME**® (1-800-469-4663)

To make sure you obtain the correct replacement parts for your Granite Island, please refer to the part numbers on this page. The following information is required to ensure you receive the correct parts:

1. Island Kit Model Number
2. Part Number
3. Part Description
4. Quantity of parts needed

**Important:** Keep this Operator's Manual for convenient referral and for part replacement.

**Important:** Use only manufacturer authorized parts. The use of any part that is not manufacturer authorized can be dangerous and will also void your product warranty.

## Assembly Instructions

**CAUTION:** While it is possible for one person to assemble this Island, obtain assistance from another person when handling some of the larger, heavier pieces, especially the Granite Table Top.

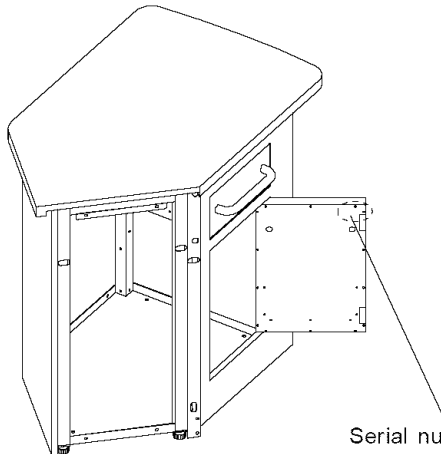
1. During unpacking and assembly always wear work gloves and eye protection.
2. Open Lid of shipping carton and remove top sheet of cardboard. Lay cardboard sheet on floor and use as a work surface to protect floor and Island parts from scratches.
3. Remove packing materials and Island parts from shipping carton.
4. You may slice the carton front corners with a utility knife to lay open the carton front panel. This will offer you easier access to the Island Frames.
5. Use the parts list to check that all parts have been included.
6. Inspect the Island for damage as you assemble it. Do not assemble the Islands if they appear to be damaged. If there are damaged or missing parts when you unpack the shipping box, or you have questions during the assembly process, call:

**Customer Support Helpline 1-888-317-7642**  
8am - 8pm CST, Monday through Friday

### Tools required for assembly:

#2 Phillips head screwdriver

1/4" Wrench or Adjustable Wrench



Record the Model and Serial Number below:

MODEL NUMBER \_\_\_\_\_  
SERIAL NUMBER \_\_\_\_\_



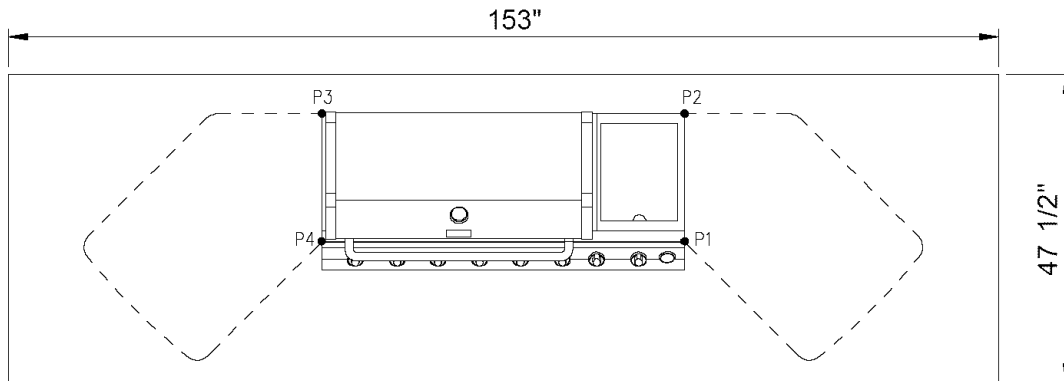
## WARNING



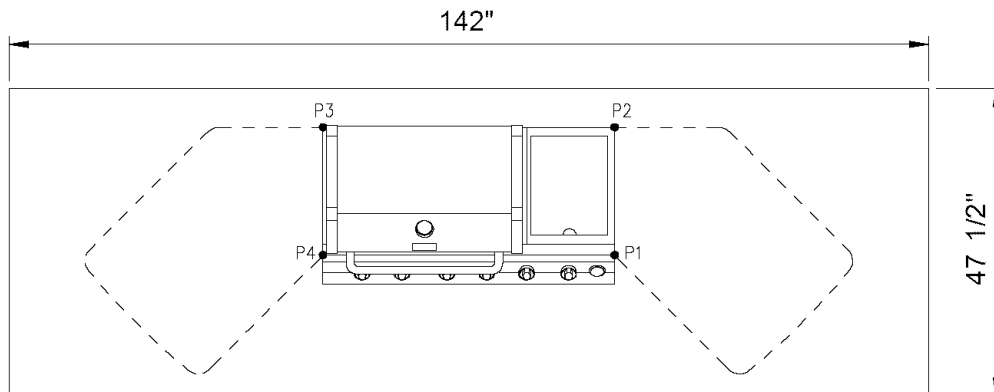
Read these instructions before assembling your Island Kit. The granite pieces are very heavy. With the assistance of another person, use care when unpacking, moving and assembling the granite pieces to avoid bodily injury and breakage of the granite.

Make sure the surface is solid, flat and level. Rough or soft ground will cause levelling problems that could cause the Island Kit to incline, door frames to distort and/or the island to partially sink after installation.

Your Island Kit is designed to attach to select Sears products (sold separately) as illustrated below. This dimensions provided will assist you in planning for adequate space of the Island Kit when attached to optional products.

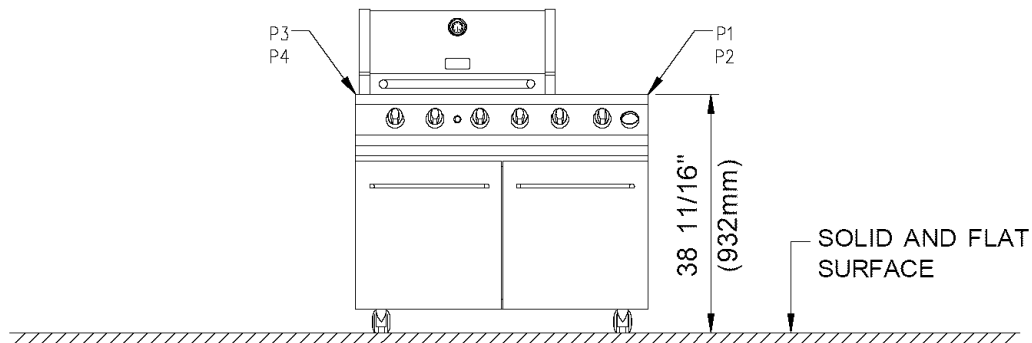


**INSTALLATION AREA FOR 6B GRILL MODEL 16690/17690/16691/17691/  
16686/17686**



**INSTALLATION AREA FOR 4 & 5B GRILLS MODEL 16680/17680/16681/17681/  
16682/17682/16684/17684**

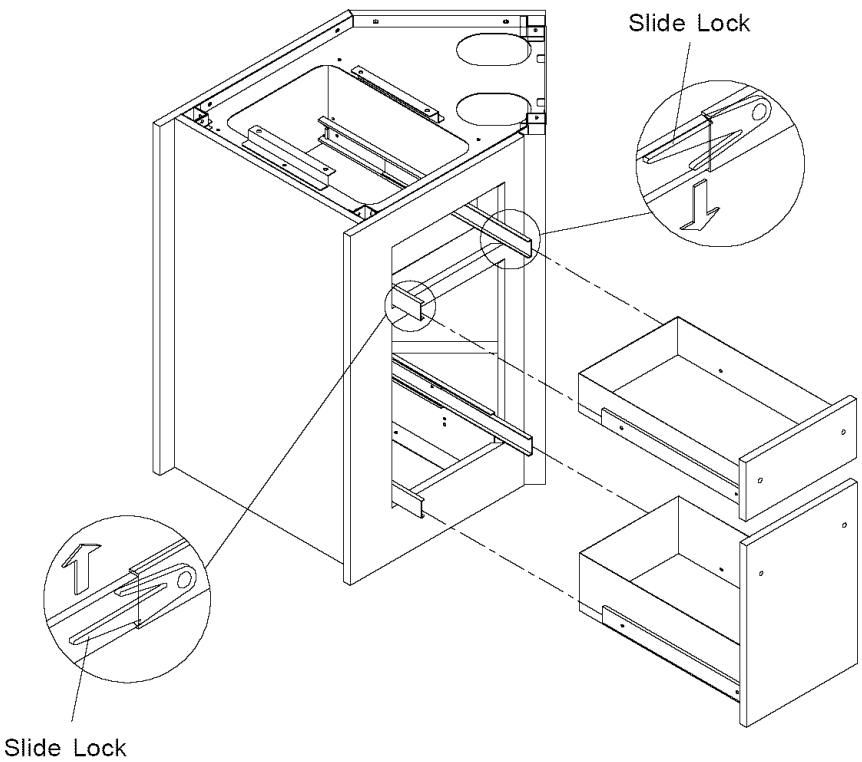
Use a tape measure to ensure that all four (4) points P1, P2, P3 and P4 are at the same height.



**1**

**Remove Drawers**

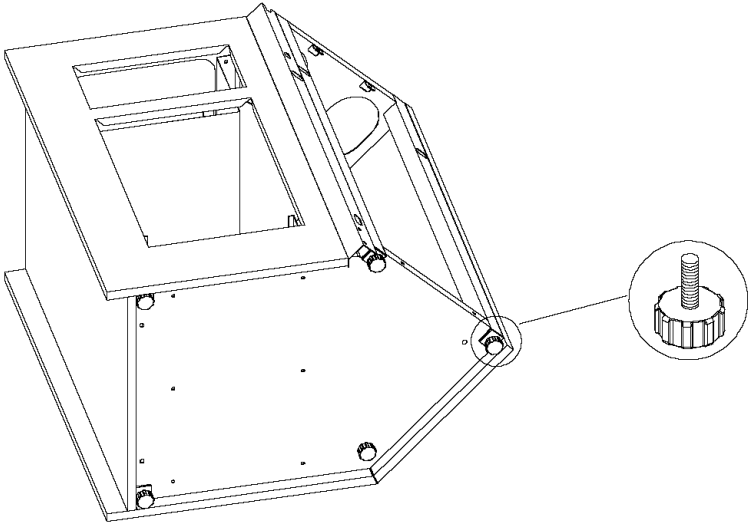
- Before attaching the Island to the grill, remove Drawers by lifting the Left Slide Lock and pressing the Right Slide Lock at the same time.



**2**

**Adjust Island Height**

- With an assistant, lay the Island Frames on its side onto protective cardboard. Turn the Level Adjusters for an overall Island height of 38-11/16" to match the grill shelf height. See Page 7.

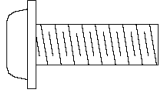




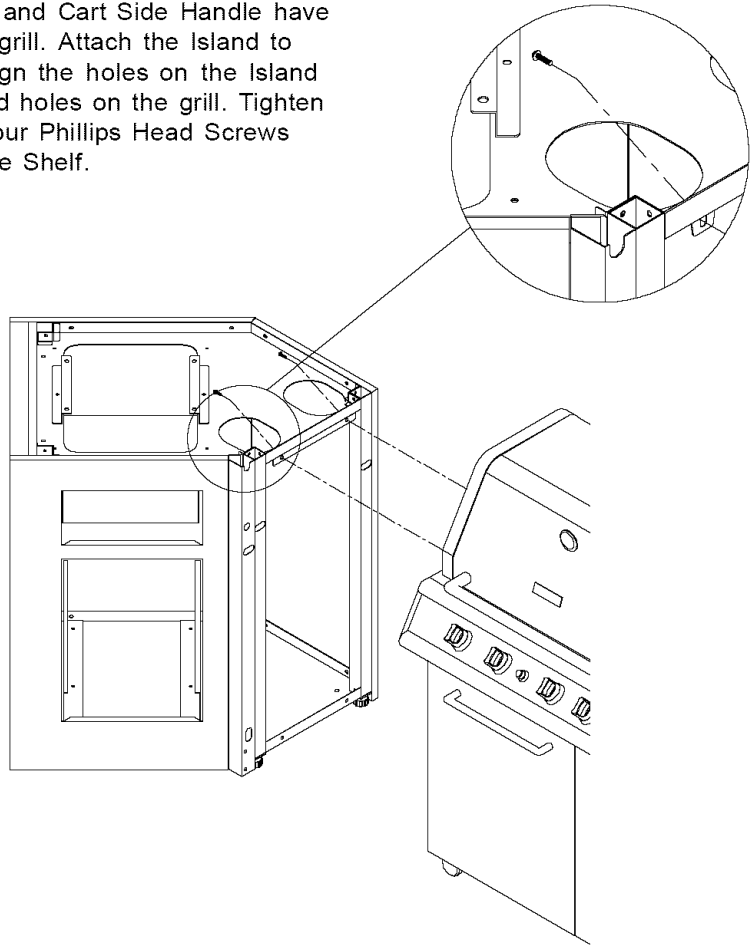
### 3

#### Install Left Island

- Be sure the Side Shelf and Cart Side Handle have been taken down from grill. Attach the Island to the side of the grill. Align the holes on the Island Frame with the threaded holes on the grill. Tighten securely using two of four Phillips Head Screws taken from the Grill Side Shelf.



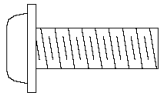
S122G04121  
Qty. 2  
Phillips Head Screw 1/4"x3/4"



### 4

#### Install Right Island

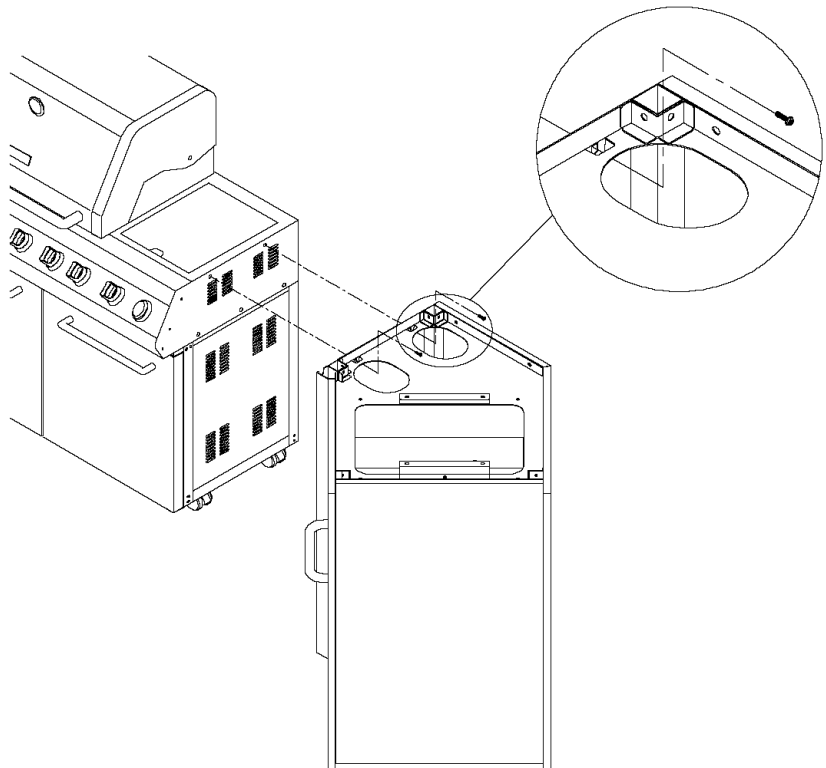
- Follow steps 1 through 3 for installation of the other Island Frame.



S122G04121  
Qty. 2  
Phillips Head Screw  
1/4"x3/4"

#### NOTE:

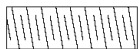
**Screws needed to attach Island Frame to Grill Frame. Use screws for side shelf installation that are packed with Grill.**



## 5

### Attach Hex Socket Set Screw

- Use the Hex Key Wrench to attach four of the Hex Socket Set Screws to the back of each Table Top.



S194G04121

Qty. 8

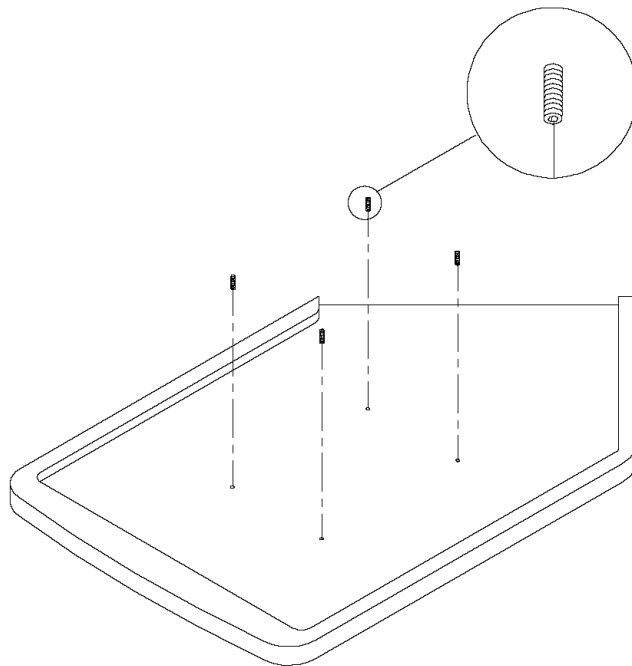
Hex. Socket Set Screw 1/4"x3/4"



P05515006B

Qty.1

Hex Key Wrench



## 6

### Install Granite Table Top Panels

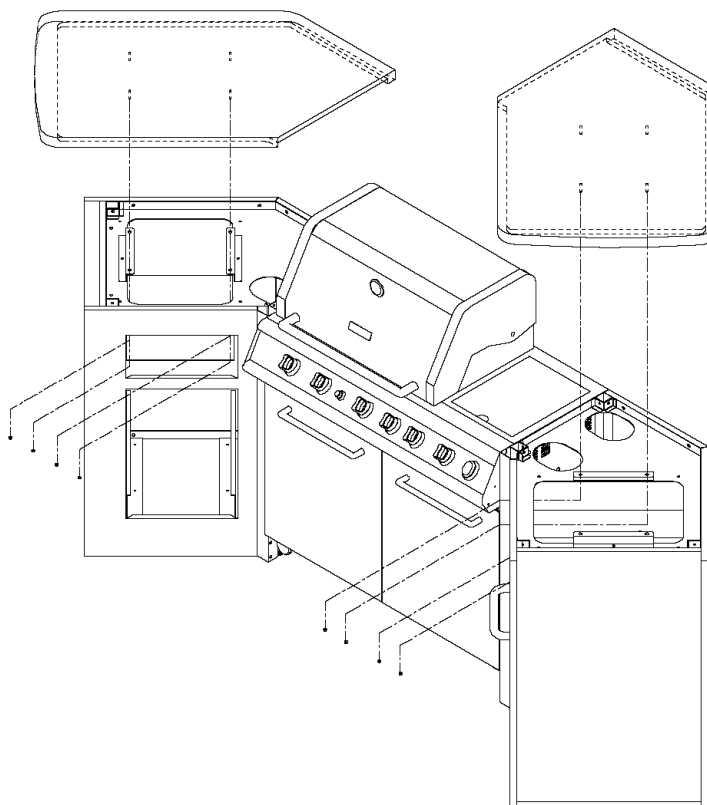
- With an assistant, place the Table Top on the Island and make sure the attached set screws fit through the two brackets on the Table Top Frame. Tighten the four Flange Nuts securely with a wrench. **CAUTION: Do not overtighten and risk cracking Granite.**



S313G04061

Qty. 8

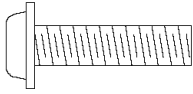
Flange Nut 1/4"



## 7

### Install Drawers/Door Handles

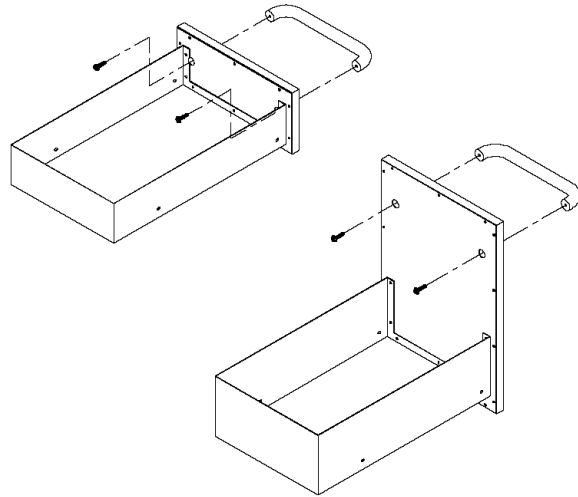
- Attach the Handles to Drawers/Door using Phillips Head Screws and tighten securely.



S122G04161

Qty. 8

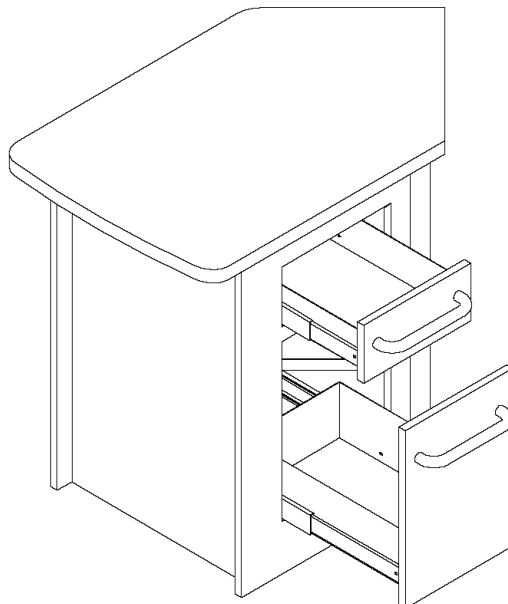
Phillips Head Screw 1/4"x1"



## 8

### Assemble Drawers

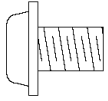
- Slide the Drawers into the Island Frames.



## 9

### Adjust Decorative Panel and Install Weights

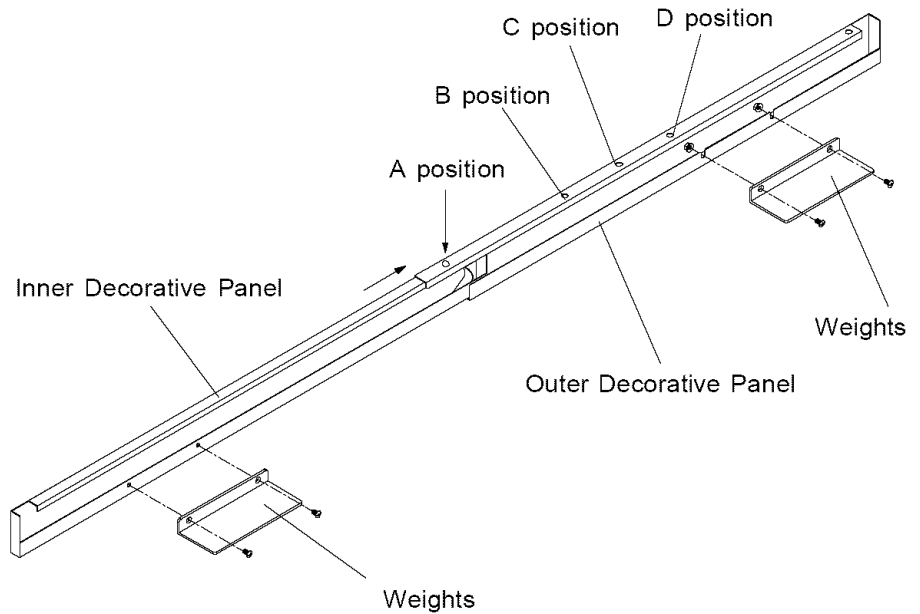
- Adjust the proper width of Decorative Panel by pressing Decorative Panel Adjusting Bracket of Inner Decorative Panel.  
A position: For models 16690/17690/16691/17691/16686/17686  
B position: For models 16684/17684  
C position: For models 16680/17680/16681/17681  
D position: For models 16682/17682
- Install two Weights onto the Decorative Panel, use 2 Flange Nuts for assembling Outer Decorative Panel and Weights.



S122G04061  
Qty. 4  
Phillips Head Screw  
1/4"x3/8"



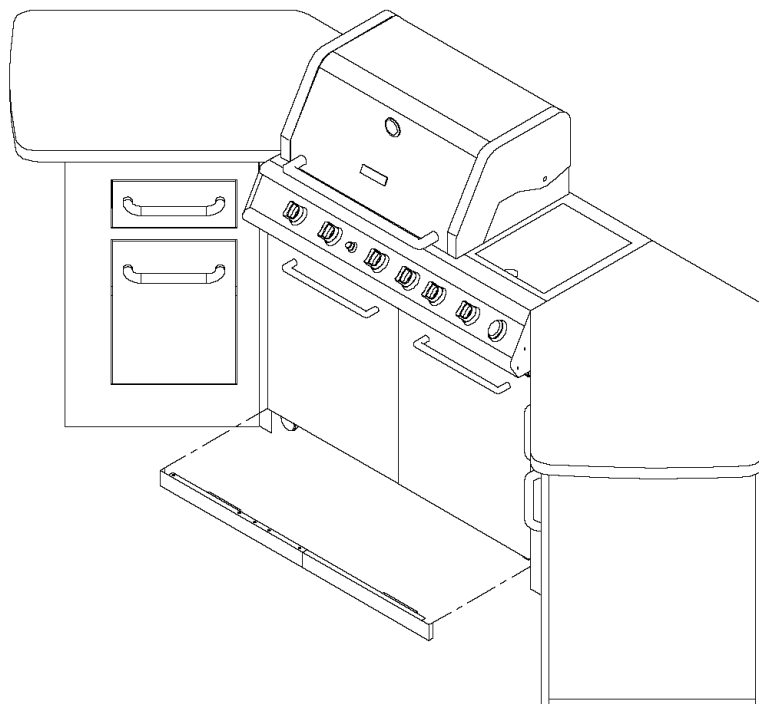
S313G04061  
Qty. 2  
Flange Nut 1/4"



## 10

### Install Decorative Panel

- Place the attached Decorative Panels under the grill doors. Be sure grill casters are fully locked and front casters are rotated to the rear to allow for flush alignment of Decorative Panels with front bottom of grill doors.



## Caring for your Granite

The warm beauty of granite is unparalleled among building materials, but preserving that beauty in certain granites requires careful, regular maintenance.

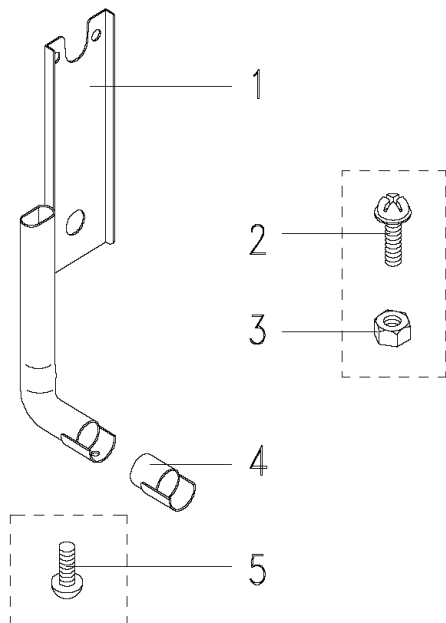
Granite and other natural stones have become increasingly popular for backyard residential and commercial uses. However, some simple steps will help preserve the original luster of the stone over time.

Granite requires very little maintenance and is naturally resistant to stains and scratches. However, it is not indestructible! Please follow these simple guidelines for care of your granite.

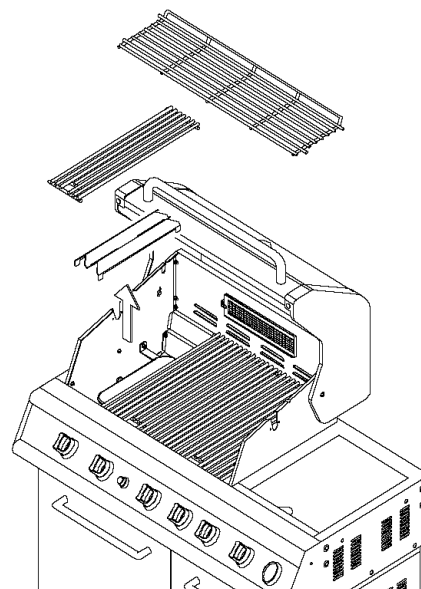
1. Regularly clean your surfaces with a damp cloth. Dry-off wet spots to avoid dull patches appearing where hard water and soap residue have been left behind during daily use. A light neutral (PH7) solution may be safely added.
2. Maintain an original finish on the granite surface by using sealers and regular maintenance procedures. Be sure to select sealers and waxes with caution, as they may contain ingredients which could dull or scratch the Table Top. Before application, clean the Table Top with soapy water and let it dry. Apply two coats of sealer in quick succession, using sealer brushes. After 30 minutes, remove the excess sealer with a dry cloth.
3. Avoid the use of abrasive cleaners or scour pads.
4. A spray cleaner can be applied to surfaces to clean and help the surface shine.
5. Cutting foods on the stone Table Top should not scratch the granite but it will blunt your knives quickly! To be safe use a separate cutting board.
6. Do not place hot pots/pans on your granite surface as they could leave a scorch mark.
7. Avoid contact with edges of worksurfaces as chipping may occur.
8. Granite is a porous material even though surfaces and edges have been polished. The stone is treated before leaving the factory to help resist staining. Be mindful there are oil and spirit based products such as wine, fruits and perfume, and also oil based products such as olive and cooking oils that may stain if allowed to soak into the Table Top. Should spills occur, wipe off as soon as possible.
9. Table Top should not be brought into contact with strong acid based chemicals including paint stripper, brush cleaner, oven cleaners, varnish remover, degreasant or similar products.

## Lighting Tube Kit Installation Instruction

**NOTE:** A Lighting Tube is used whenever you cannot electronically ignite your grill. Some older model grills did not come with Lighting Tubes (Models #16680/#17680/#16690/#17690). Therefore a Lighting Tube is provided for these grills. If your grill already has a Lighting Tube installed, disregard page 14 & 15. Follow steps 1 through 6 to install Lighting Tube Kit.



**STEP 1:** Remove cooking grids, flame tamers and secondary cooking rack.



Locate the following parts provided with the upgrade Lighting Tube Kit.

### PARTS LIST

For Models 16680/17680/16690/17690

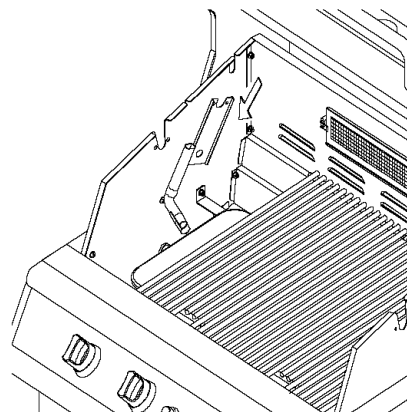
REF#	DESCRIPTION	PART#	QTY
1	Lighting Tube	P05313001C	1
2	Phillips Head Screw 1/4"x3/8"	S122G04061	2
3	Nut 1/4"	S362G04061	2

### Additional Parts

For Models 16680/17680

4	Extension Tube	P05313002C	1
5	Phillips Head Screw M4x8mm	S112M04081	1

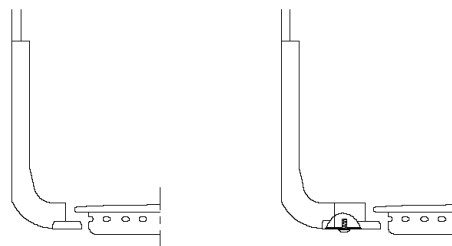
**STEP 2:** On inside of left bowl panel, insert Lighting Tube slightly below the burner top and align the holes of Lighting Tube mounting bracket with holes in the side of grill bowl.



If you have any problem with the Lighting Tube Kit, call us 8am-8pm CST, Monday through Friday at: 1-888-317-7642

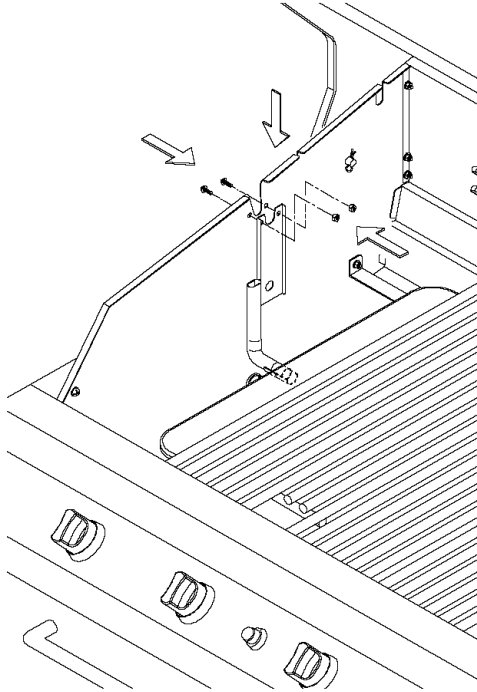
For 16690/17690

For 16680/17680

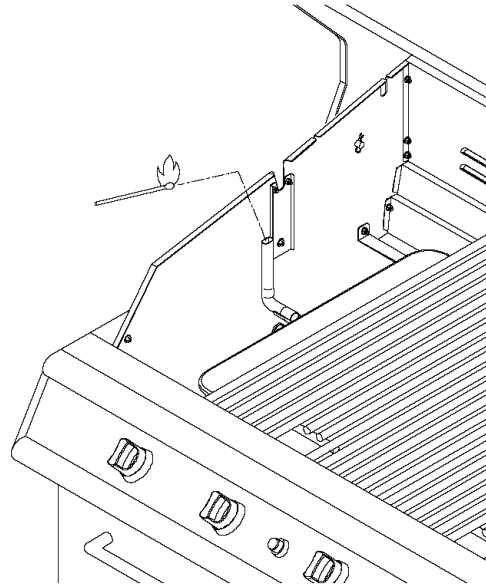


## Lighting Tube Kit Installation Instruction

**STEP 3:** Insert 2 Phillips head screws 1/4"x3/8" from outside of grill bowl through Lighting Tube bracket and secure tightly with 2 1/4" Nuts.



6. Set ALL Control Knobs to OFF. For LP Models, open gas tank valve slowly until 1/4 to 1/2 open.
7. Light a match and place it over the top opening of the Lighting Tube. Turn the farthest Left Control Knob to the HIGH setting to release gas. The Burner should light immediately.



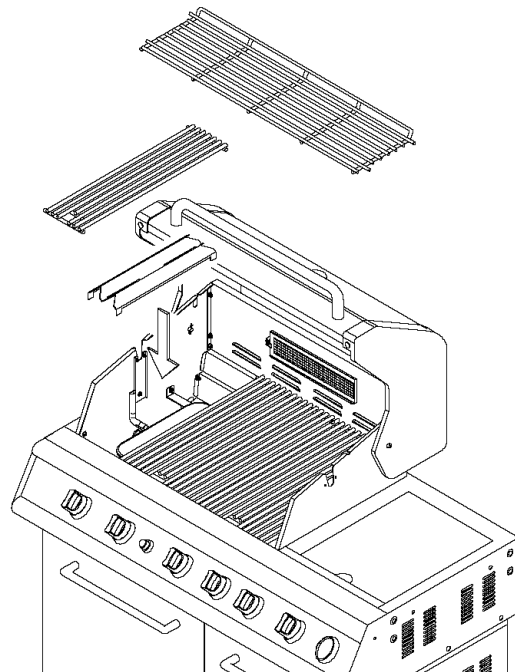
### STEP 4 :

Follow below Lighting Instruction procedures to check Lighting Tube function and light your grill.

1. Familiarize yourself with the safety guidelines in the Grill manual. Do not smoke while lighting grill or checking gas supply connections.
2. If you have a LP gas grill be sure the LP gas tank is filled, or if you have a NG grill be sure that the locking shut off valve is open.
3. Open the Grill Lid.
4. Check that the end of the Burner Tube is properly located under the far left burner top.
5. Be sure all gas connections are securely tightened.

**STEP 5:** Turn Control Knob to "OFF"

**STEP 6:** Replace flame tamers, cooking grids and secondary cooking rack.



### **WARNING**

Failure to open Grill Lid during the lighting procedures could result in a fire or explosion that could cause serious bodily injury, death, or property damage.

# Get it fixed, at your home or ours!

## Your Home

For repair – **in your home** – of all major brand appliances, lawn and garden equipment, or heating and cooling systems, **no matter who made it, no matter who sold it!**

For the replacement parts, accessories and owner's manuals that you need to do-it-yourself.

For Sears professional installation of home appliances and items like garage door openers and water heaters.

**1-800-4-MY-HOME® (1-800-469-4663)**

Call anytime, day or night (U.S.A. and Canada)

[www.sears.com](http://www.sears.com)    [www.sears.ca](http://www.sears.ca)

---

## Our Home

For repair of carry-in items like vacuums, lawn equipment, and electronics, call or go on-line for the location of your nearest **Sears Parts & Repair Center.**

**1-800-488-1222**

Call anytime, day or night (U.S.A. only)

[www.sears.com](http://www.sears.com)

---

To purchase a protection agreement (U.S.A.)  
or maintenance agreement (Canada) on a product serviced by Sears:

**1-800-827-6655 (U.S.A.)**

**1-800-361-6665 (Canada)**

---

Para pedir servicio de reparación  
a domicilio, y para ordenar piezas:

**1-888-SU-HOGAR<sup>SM</sup>**

(1-888-784-6427)

Au Canada pour service en français:

**1-800-LE-FOYER<sup>MC</sup>**

(1-800-533-6937)

[www.sears.ca](http://www.sears.ca)

The Sears logo is displayed in a large, bold, black serif font. The word "Sears" is written in a classic, slightly stylized typeface. Below the letters, there is a thin, curved line that underlines the text, starting under the 'S' and ending under the 's'.

® Registered Trademark / <sup>TM</sup> Trademark / <sup>SM</sup> Service Mark of Sears, Roebuck and Co.

® Marca Registrada / <sup>TM</sup> Marca de Fábrica / <sup>SM</sup> Marca de Servicio de Sears, Roebuck and Co.

<sup>MC</sup> Marque de commerce / <sup>MD</sup> Marque déposée de Sears, Roebuck and Co.

© Sears, Roebuck and Co.