

# Installation Instructions

If you have questions, call 800.GE.CARES or visit our website at: [www.monogram.com](http://www.monogram.com)

## Professional Gas Cooktops

### 48" Natural Gas Models

ZGU48N4G

ZGU48N6R

ZGU48N6D

### 48" LP Gas Models

ZGU48L4G

ZGU48L6R

ZGU48L6D

### 36" Natural Gas Models

ZGU36N6

ZGU36N4R

ZGU36N4D

### 36" LP Gas Models

ZGU36L6

ZGU36L4R

ZGU36L4D



**Monogram®**

# Installation Instructions



## BEFORE YOU BEGIN

Read these instructions completely and carefully.

- **IMPORTANT** – Save these instructions for local inspector's use.
- **IMPORTANT** – Observe all governing codes and ordinances.
- **Note to Installer** – Be sure to leave these instructions with the Consumer.
- **Note to Consumer** – Keep these instructions for future reference.
- **Skill Level** – Installation of this cooktop requires basic mechanical and electrical skills.
- **Completion time** – 1 to 3 hours.
- Proper installation is the responsibility of the installer.
- Product failure due to improper installation is not covered under the Warranty.



### WARNING:

This appliance must be properly grounded. See "Electric Supply", page 6.



### AVERTISSEMENT :

Cet appareil doit être mis à la terre adéquatement. Voir la section « Alimentation électrique » à la page 6.

For Monogram local service in your area, 1.800.444.1845.

For Monogram Service in Canada, call 1.888.880.3030.

For Monogram Parts and Accessories, call 1.800.626.2002.

If you received a damaged cooktop, you should contact your dealer.

#### In the Commonwealth of Massachusetts:

- This product must be installed by a licensed plumber or gas fitter.
- When using ball type gas shut off valves, they shall be T-handle type.
- A flexible gas connector, when used, must not exceed 3 feet.



### CAUTION:

THESE COOKTOPS SHOULD BE INSTALLED IN CONJUNCTION WITH A SUITABLE OVERHEAD VENT HOOD. Due to the high heat capacity of this unit, particular attention should be paid to the hood and duct work installation to assure it meets local building codes.



### MISE EN GARDE :

CES CUISINIÈRES DOIVENT ÊTRE MONTÉES CONJOINTEMENT AVEC UNE HOTTE À ÉVACUATION DE PLAFOND APPROPRIÉE. Étant donné la grande capacité thermique de cet appareil, une attention particulière doit être portée au montage de la hotte et du système de gaines pour s'assurer qu'il est conforme aux codes du bâtiment locaux.

#### Standard countertop and island installations:

A 1200 CFM hood is recommended for 48" cooktops. A 600 CFM hood is recommended for 36" cooktops. Hoods should be 24" min. deep and the same width as the cooktop.

#### Island installations:

Check local building codes for the proper method of gas cooktop installation. Local codes vary. Installation, electrical connections and grounding must comply with applicable codes. In the absence of local codes, the cooktop should be installed in accordance with the National Fuel Gas Code ANSI 223.1-1990 and National Electrical Code ANSI/NFPA 70-1990.



### CAUTION:

These cooktops are extremely heavy. Due to the weight and size of the cooktop and to reduce the risk of personal injury or damage to the product, TWO PEOPLE ARE REQUIRED FOR PROPER INSTALLATION.



### MISE EN GARDE :

Ces cuisinières sont extrêmement lourds. Tout démontage réduira considérablement leur poids. En raison du poids et de la taille de la cuisinière, dont la manipulation risque d'entraîner des lésions corporelles ou des dommages au produit, DEUX PERSONNES SONT NÉCESSAIRES POUR PROCÉDER À UN MONTAGE ADÉQUAT.

# Design Information

## CONTENTS

### Design Information

Models Available .....	3
Accessory Requirements .....	3
Product Dimensions and Clearances .....	4
Installation Options .....	5
Advance Planning .....	5

### Installation Preparation

Tools and Materials Required .....	6
Power Supply Locations .....	6

### Installation Instructions

Step 1, Remove Packaging .....	7
Step 2, Cut the Countertop Opening .....	7
Step 3, Install the Cooktop .....	8
Step 4, Connect Cooktop to Gas.....	8
Step 5, Connect Electrical.....	9
Step 6, Assemble Burners, Check Ignition.....	9
Finalize Installation.....	10
Installation Checklist .....	10
Install the Cooktop Backsplash Accessory .....	11

## MODELS AVAILABLE

These cooktops are factory set for either natural gas or liquid propane gas. Order the model for your installation situation.

### 48" Natural Gas Models:

- ZGU48N4G – 4 gas burners, grill and griddle
- ZGU48N6R – 6 gas burners and grill
- ZGU48N6D – 6 gas burners and griddle

### 48" Liquid Propane Gas Models:

- ZGU48L4G – 4 gas burners, grill and griddle
- ZGU48L6R – 6 gas burners and grill
- ZGU48L6D – 6 gas burners and griddle

### 36" Natural Gas Models:

- ZGU36N4D – 4 gas burners and griddle
- ZGU36N4R – 4 gas burners and grill
- ZGU36N6 – 6 gas burners

### 36" Liquid Propane Gas Models:

- ZGU36L4D – 4 gas burners and griddle
- ZGU36L4R – 4 gas burners and grill
- ZGU36L6 – 6 gas burners

## BACKSPLASH ACCESSORIES

All models require 12" min. clearance to a vertical combustible surface at the rear. A backsplash accessory is available for installations with less than 12" clearance to the back wall. Order a 12" high backsplash or 22" high backsplash with warming shelf.

### Backsplash for 48" Models:

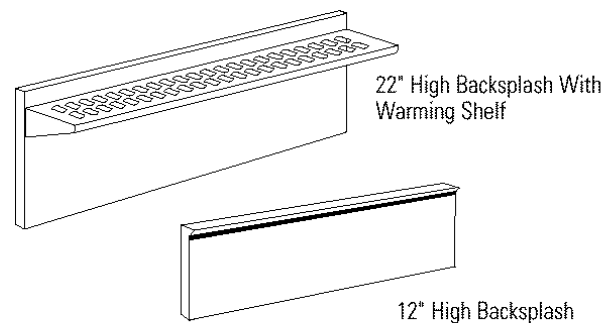
- ZX12B48HSS – 12" high backsplash
- ZX22B48HSS – 22" high backsplash with warming shelf  
(2 piece)

### Backsplash for 36" Models:

- ZX12B36HSS – 12" high backsplash
- ZX22B36HSS – 22" high backsplash with warming shelf  
(2 piece)

### INSTALLATION NOTE:

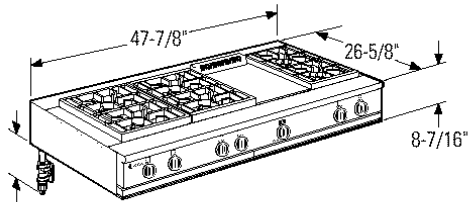
A custom backsplash may be constructed of non-combustible back wall materials such as ceramic tile, brick, marble or other stone.



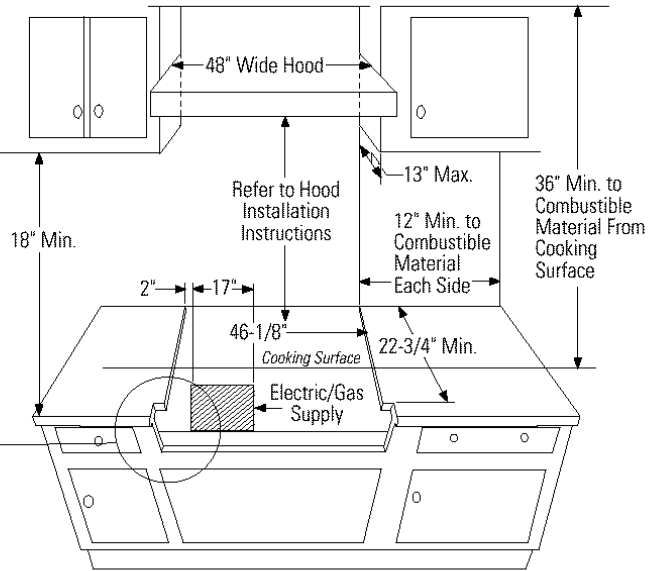
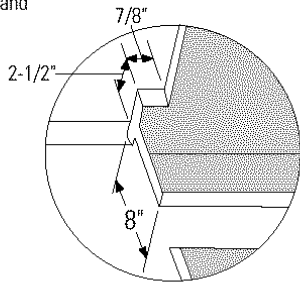
# Design Information

## PRODUCT DIMENSIONS AND CLEARANCES

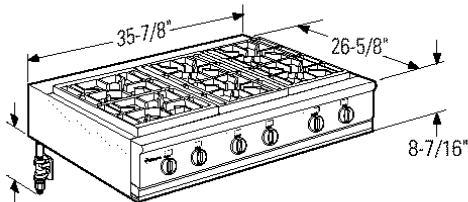
### 48" Wide Models



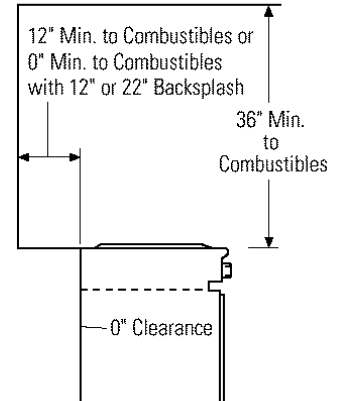
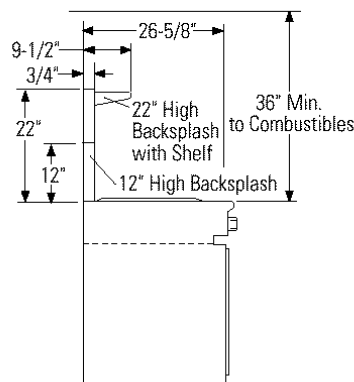
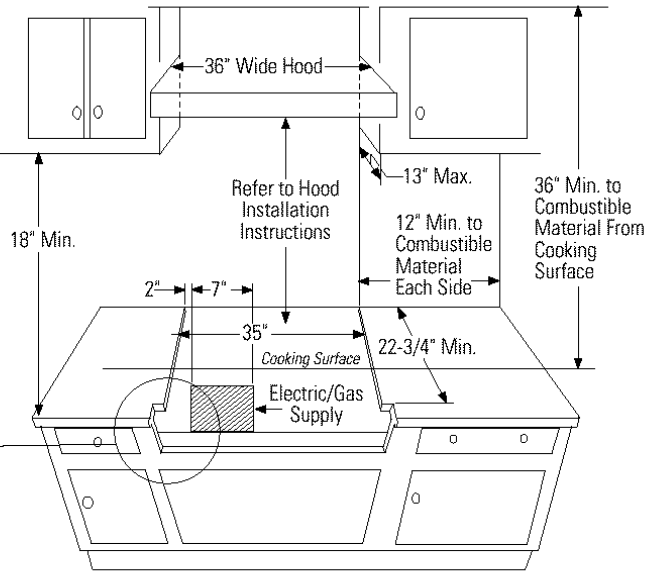
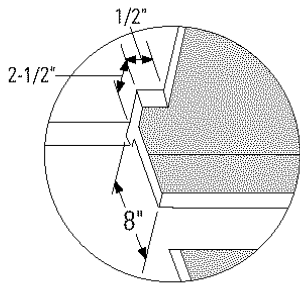
Allow Additional Clearance Below the Cooktop Burner Box for the Regulator and Gas Connections



### 36" Wide Models



Allow Additional Clearance Below the Cooktop Burner Box for the Regulator and Gas Connections

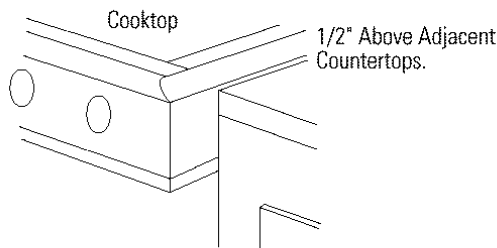
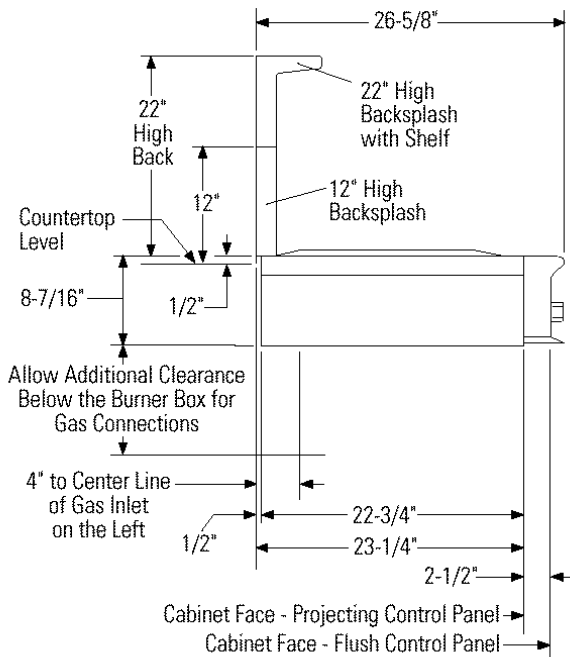


# Installation Preparation

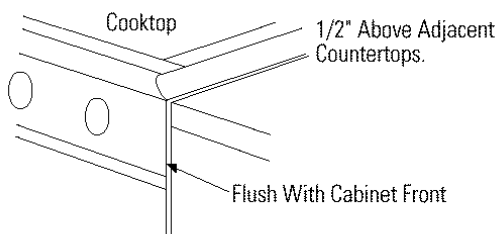
## INSTALLATION OPTIONS

These cooktops can be installed in standard 24" or deeper 25" cabinets.

- In 24" deep cabinets, the front of the cooktop will project approximately 1-7/8" beyond the front of the countertop.
- In 25" deep cabinets, the cooktop will be flush with the front of the countertop.
- The stainless surface of the cooktop will be 1/2" higher than adjacent countertop.
- Cooktop fits flush to rear of cutout; no additional support is required.



Front Projects Outward as Shown From Standard Depth Cabinets.



Front Flush With Cabinets - a Minimum of 25-3/4" Cabinet Depth Required

## ADVANCE PLANNING

Refer to "Dimensions and Clearances" for appropriate placement and necessary clearances when planning the installation.

- Cabinetry cannot be installed directly above the cooktop.
- We recommend the installation of a vent hood above the cooktop surface.
  - The vent hood must be at least 24" deep.
  - The vent hood must be at least the same width as the cooktop.
  - For 48" models, we recommend the vent hood blower be 1200 CFM.
  - For 36" models, we recommend the vent hood blower be 600 CFM.
- Refer to hood installation instructions for height dimensions.
- Working areas adjacent to the cooktop should have 18" minimum clearance between countertop and cabinet bottom.
- Clearance between cooktop and side wall or combustible material must be at least 12" on each side.
- These cooktops require 8" free space below the countertop to house the burner box. Additional clearance is required below the burner box for the gas regulator and connections. Connections should be routed to limit interference with drawers or other cabinetry features.
- Allow 12" min. clearance at the back to combustible materials.
- Allow 36" min. above the cooking surface to combustible materials.
- Installation must conform with local codes. In the absence of local codes, the gas cooktop must comply with the National Fuel Gas Code, ANSI Z223.1/NFPA.54, latest edition. In Canada, installation must conform with the current Natural Gas Installation Code, CAN/CGA-B149.1 or the current Propane Installation Code, CAN/CGA-B149.2, and with local codes where applicable. This cooktop has been design-certified by CSA International according to ANSI Z21.1, latest edition and Canadian Gas Association according to CAN/CGA-1.1 latest edition.

# Installation Preparation

## TOOLS REQUIRED

- Saw
- Measuring tape
- Carpenter's square
- Large flat-blade screwdriver
- Pipe wrench

## MATERIALS REQUIRED (not supplied)

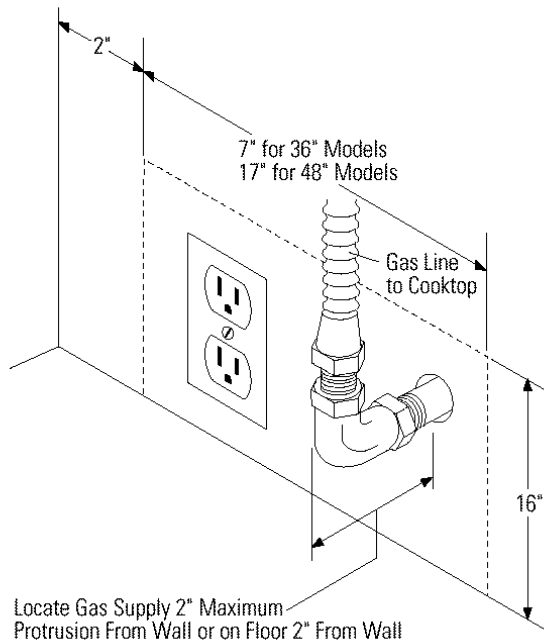
- Pipe and fittings as required
- Manual gas line shut-off valve
- Gas pressure regulator (supplied)
- Gas-resistant pipe joint sealant
- 5 foot, 5/8" AGA-certified flexible metal gas supply line (length must comply with local codes)
  - If required by local codes, use solid pipe fittings.

**NOTE:** Purchase new flexible line. DO NOT USE OLD, PREVIOUSLY USED FLEXIBLE LINE.

## POWER SUPPLY LOCATIONS

### Gas Supply:

- The pressure regulator must be connected in series with the manifold of the cooktop and must remain in series with the supply line regardless of the type of gas being used.
- The natural gas models are designed to operate at 5" water column pressure. A regulator is required at the natural gas source to provide a maximum of 7" water pressure to the cooktop regulator.
- The liquid propane models are designed to operate at 10" water column pressure. A regulator is required at the LP source to provide a maximum of 14" water pressure to the cooktop regulator.
- These gas cooktops are supplied with 1/2" NPT female gas connection located at the left rear corner.
- A minimum 5/8" dia. metal flexible line is required.
  - Use 5-foot long 5/8" flexible metal tubing. (Length must comply with local codes.)



- For rigid connection, locate the pipe stub within area shown.
- Install a manual shut-off valve in the gas line, in an easily accessible location.

### Electric Supply:

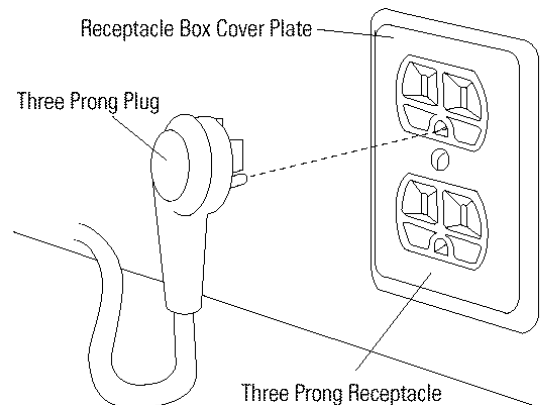
These cooktops must be supplied with 120 volt, 60 Hz., and connected to an individual, properly grounded branch circuit protected by a 15 amp circuit breaker or time delay fuse.

The power cord of this appliance is equipped with a three-prong (grounding) plug which mates with a standard three-prong grounding wall receptacle to minimize the possibility of shock hazard from this appliance.

If the electrical service provided does not meet the above specifications, it is recommended that a licensed electrician install an approved outlet.

**DO NOT, UNDER ANY CIRCUMSTANCES, CUT OR REMOVE THE THIRD (GROUND) PRONG FROM THE POWER CORD. DO NOT USE AN EXTENSION CORD WITH THIS APPLIANCE.**

- Locate the electric supply within the area shown or within reach of the cooktop's six foot power cord.
- To avoid tangling cord with items stored in the cabinet, locate the receptacle on rear wall, inside the cabinet.



# Installation

## STEP 1 REMOVE PACKAGING

Use a hand-truck to move this cooktop.

### Before moving the cooktop indoors:

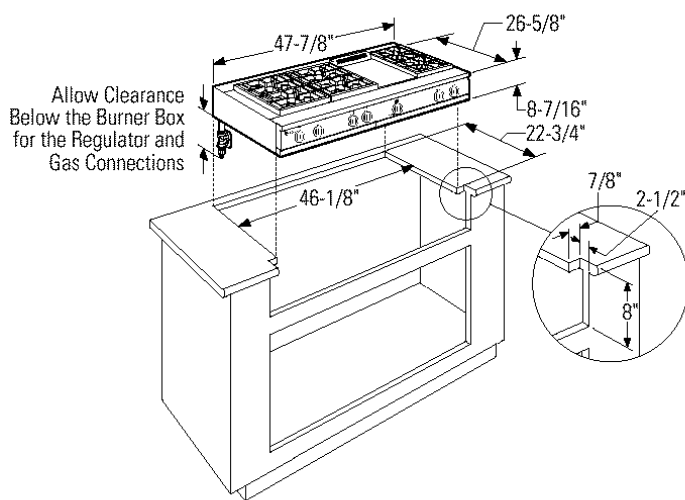
- Remove outer carton and packing.
- Remove the straps holding the cooktop to the skid.
- Remove the grates and drawer, below the knobs (on grill and griddle models).
- Remove grill and/or griddle covers. **DO NOT ATTEMPT TO REMOVE A GRILL OR GRIDDLE ASSEMBLY.**

- Flatten the carton and use a piece as a pad on the bottom and back of the hand-truck. Lift the cooktop onto the hand-truck standing on its end, with the bottom of the cooktop resting against the back of the hand-truck.

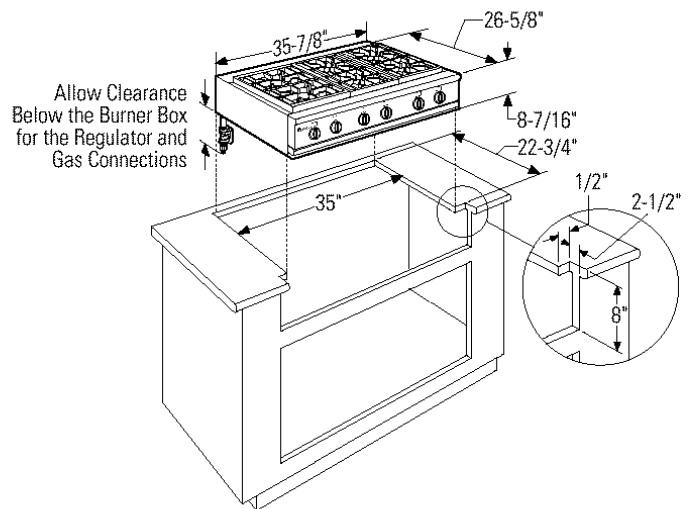
### Move the cooktop indoors:

If door and passageways into the installation location are less than 30" wide, remove the cooktop knobs.

## STEP 2 CUT THE COUNTERTOP OPENING



48" wide models are designed to fit in 48" or wider base cabinets

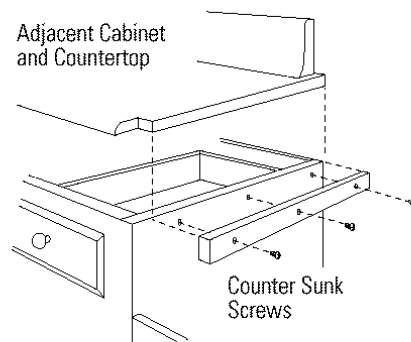


36" wide models are designed to fit in 36" or wider base cabinets

Measure carefully when cutting the countertop. Make sure sides of the opening are parallel.

- These cooktops require 8" free space below the countertop to house the cooktop burner box.
- Allow additional clearances below the burner box to install the regulator and make house supply connections. Use a 90° elbow to route the gas connections and limit interference with drawers or other cabinetry features.
- These cooktops are designed to hang from the countertop from its rear and side flanges.
- Smooth any rough edges on the countertop before installing the cooktop.
  - Formica countertop edges must be finished.

The countertop must be strong enough to support the weight of the cooktop.

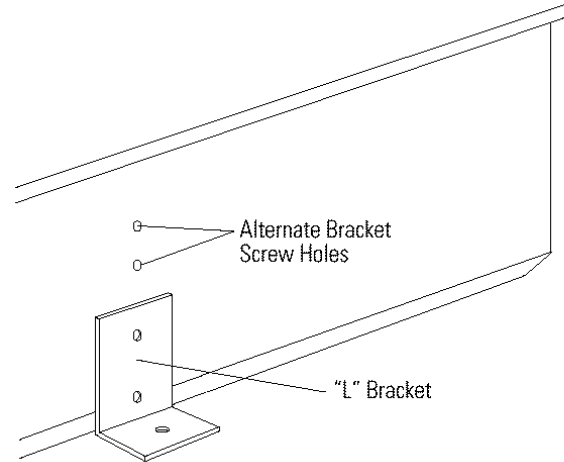


- Support cleats can be secured to cabinet sides.
  - OR**
  - Build a support deck or box inside the cabinet which will support the weight of the cooktop.
    - Build the support box using a solid material, cut a 5" x 5" square in the left rear corner for the gas inlet and power cord clearances.

# Installation

## STEP 3 INSTALL COOKTOP

- Lower the cooktop into the opening. Make sure the cooktop is evenly seated and supported. A side frame gasket will seal the cooktop to the countertop.
- "L" brackets with screws are provided to secure the cooktop to the countertop or to adjacent cabinetry.
  - Alternate screw hole locations on the sides of the cooktop allow for varying thicknesses of countertops or side cleats.
- Select the bracket location; secure the bracket to the cooktop with 2 screws.
- Drive one screw through the bottom of the "L" bracket and into countertop or side cleats.



## STEP 4 CONNECT COOKTOP TO GAS

A manual shut-off valve must be installed where it will be accessible.

### Assure that gas is turned off at the shut-off valve.

- Install the supplied pressure regulator onto the end of the gas inlet.
- You can install a 90° elbow (not supplied) onto the gas inlet and route the gas connections to avoid interference with drawers or other cabinetry features.
- Make sure the regulator is installed in the right direction. See arrow on the underside of the regulator.

**NOTE:** Instead of using solid piping to connect to pressure regulator, an approved flexible metal appliance connector may be used between the pipe stub and the shut-off valve to the pressure regulator, if local codes permit.

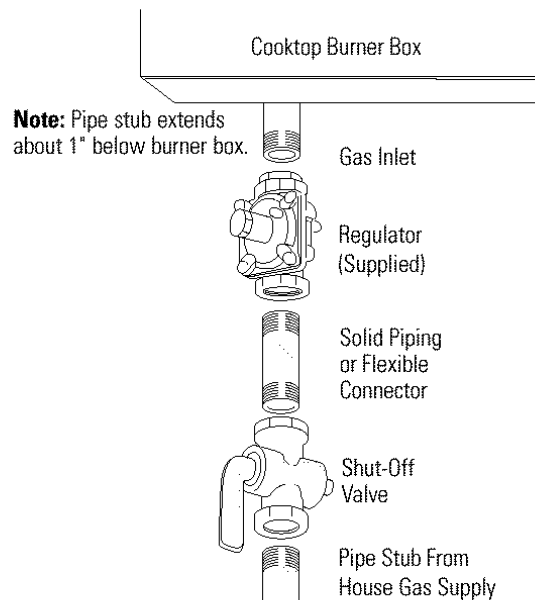
- Appropriate flare nuts and adapters are required at each end of the flexible connector.



**WARNING:** Do not use a flame to check for gas leaks.



**AVERTISSEMENT :**  
Il ne faut pas utiliser de flamme pour vérifier s'il y a des fuites.



**IMPORTANT:** Disconnect the cooktop and the individual shut-off valve from the gas supply piping system during any pressure testing of that system at test pressures greater than 1/2 psig. Isolate the cooktop from the gas supply piping system by closing the individual manual shut-off valve to the cooktop during any pressure testing of the gas supply piping system at test pressures equal to or less than 1/2 psig.

- Turn on gas and check for leaks:
  - Use a liquid leak detector at all joints and connections in the system.



# Installation

## STEP 5 CONNECT ELECTRICAL

Plug power cord into properly grounded receptacle.

## STEP 6 ASSEMBLE BURNERS, CHECK IGNITION

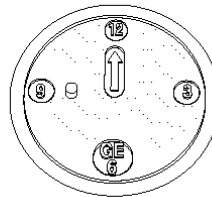
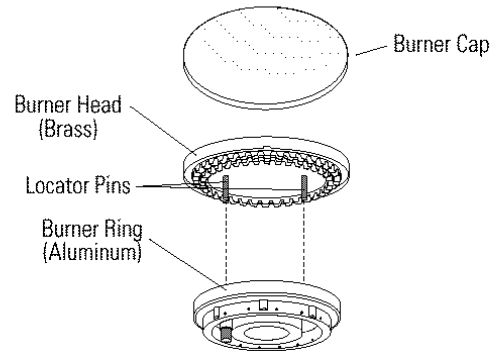
Assemble burners as shown. Check to be sure that burner heads and caps are securely seated. Pin(s) must completely engage holes to ensure proper assembly.

- Check for proper ignition:

- Push in one control knob and turn 90° to Lite position.
- The igniter will spark and the burner will light; the igniter will cease sparking when the burner is lit.
- First test may require some time while air is flushed out of the gas line.
- Turn knob to OFF.
- Repeat the procedure for each burner.

**IMPORTANT:** If the igniter electrodes continue to spark after the burners are lit, check that each burner component is assembled and seated properly by observing constant gaps between each layer. Disassemble and reassemble as required.

- Burner flames should be blue and stable with no yellow or yellow tips, excessive noise or lifting of the flame from the burner. If any of these conditions exist, check that the burner ports are not blocked.



To aid reassembly, each brass burner head is marked with a clock face. Replace the burner head with the arrow pointing to the rear of the cooktop (12 o'clock position).

# Installation

## FINALIZE INSTALLATION

Place the burner grates over the burners. Press corner of the grate to the cooktop. The grates should be seated and should not rock.

The grill and griddle are secured with screws at the front. They are designed to be stationary and should not be removed.

The griddle has two leveling screws beneath the rear flue cover that can be used to adjust to the desired slope. The center screw is for shipping purposes only and can be removed.

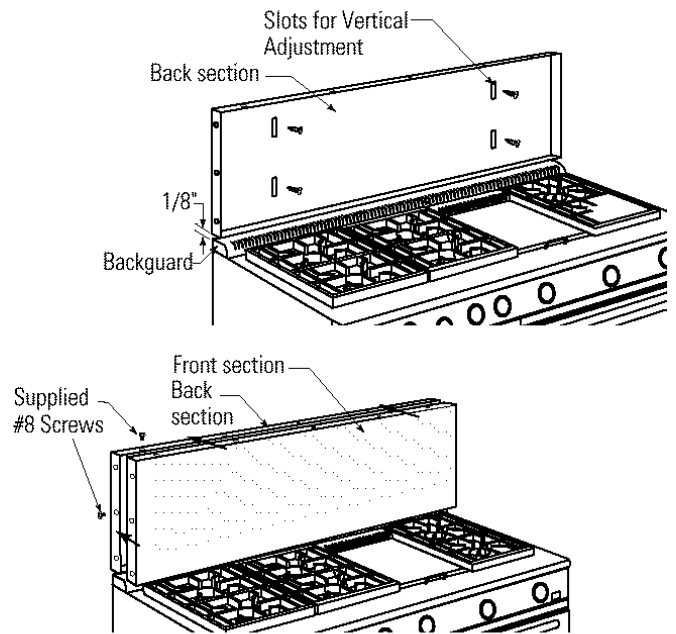
## INSTALLATION CHECKLIST

- Double check to make sure everything in this manual has been completed. Rechecking steps will ensure safe use of the cooktop.
- Make sure all controls are left in the OFF position.
- Make sure the flow of combustion and ventilation air to the cooktop is unobstructed.
- The serial plate for your cooktop is located beneath the ledge trim on the left side, just above the left knob. In addition to the model and serial numbers, it tells you the ratings of the burners and the type of fuel and pressure the cooktop was adjusted for when it left the factory.
- When ordering parts, always include the serial number, model number and a code letter to ensure proper replacement parts.
- Recheck Steps:**  
**Double check to make sure everything in this manual has been completed. Rechecking steps will ensure safe use of the cooktop.**

# Installation

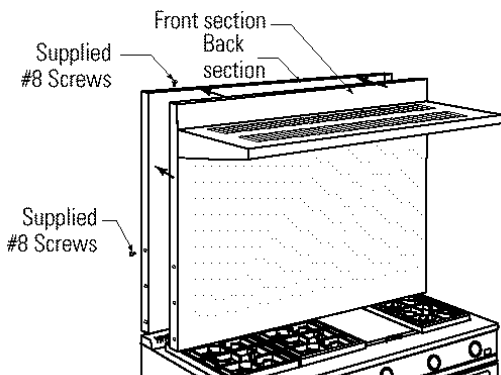
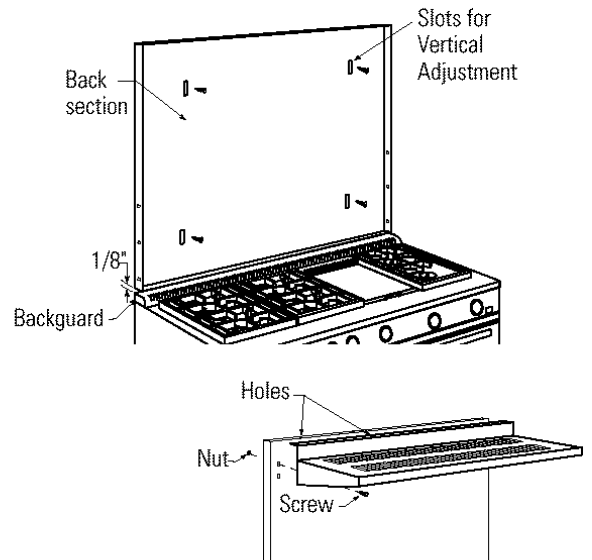
## INSTALL 9" or 12" HIGH BACKSPLASH

- Install and level the range or cooktop according to the installation instructions.
- Remove the backsplash packaging. Select the back, wall mount panel with mounting screw slots.
- Mark a horizontal line on the wall, 1/8" above the range/cooktop backguard.
- Use wood screws or fasteners (not supplied) to secure the back section to the wall. Slide the panel up or down to provide the 1/8" gap between the top of the range/cooktop and the bottom of the backsplash. This 1/8" gap allows the appearance or front section to overlap the mounted rear panel.
- Secure the appearance panel to the mounted back section with the #8 self-tapping screws provided. Install 3 screws on each side and 5 across the top.



## INSTALL 22" HIGH BACKSPLASH

- Install and level the range or cooktop according to the installation instructions.
- Remove the backsplash packaging. Select the back, wall mount panel with mounting screw slots.
- Mark a horizontal line on the wall, 1/8" above the range/cooktop backguard.
- Use wood screws or fasteners (not supplied) to secure the back section to the wall. Slide the panel up or down to provide the 1/8" gap between the top of the range/cooktop and the bottom of the backsplash. This 1/8" gap allows the appearance or front section to overlap the mounted rear panel.
- Attach the shelf to the front section of the backsplash using screws and nuts supplied.
- Secure the appearance panel to the mounted back section with the #8 self-tapping screws provided. Install 3 screws on each side and 5 across the top.



### WARNING:

The back section must be securely fastened to the wall. Failure to do so could cause damage or personal injury. Maximum shelf weight capability is 10 lbs.



### AVERTISSEMENT :

La section arrière doit être fixée solidement sur le mur. Le défaut de procéder ainsi peut causer des dommages matériels ou des lésions corporelles. La capacité de charge maximale de l'étagère est de 4,5 kg (10 lbs).

**NOTE:** While performing installations described in this book, safety glasses or goggles should be worn.

*For Monogram® local service in your area, call 1.800.444.1845.*

**NOTE:** Product improvement is a continuing endeavor at General Electric. Therefore, materials, appearance and specifications are subject to change without notice.

Pub. No. 49-80225-2
Part No. 164D4290P377

17713 Rev. 2  
10-04 JR



**Monogram®**

GE Consumer & Industrial  
Louisville, KY 40225

©2004 GE Company