

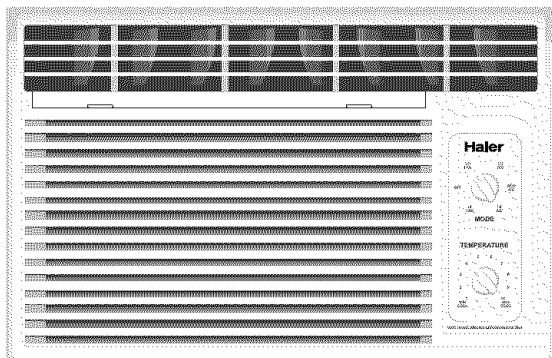
# Haier®

*What The World Comes Home To™*

*Room Air Conditioner  
Manual Control*

*Climatisation de Pièce  
à Commande Manuelle*

*Acondicionador De Aire  
De Control Manual Para Habitación*



**HWF05XC3**

*User Manual  
Manuel d'utilisation  
Manual del Usuario*

*Read instructions before installing.  
Call 1-877-337-3639 for questions on parts and services*

*Lire les instructions avant de procéder à l'installation.  
Pour toutes questions concernant les pièces et l'entretien, composez le 1-877-337-3639.*

*Lea las Instrucciones antes de instalar el aparato  
Llámenos al 1-877- 337-3639 si tiene preguntas sobre repuestos o servicios*

## A Word From Haier

Thank You for buying a dependable, energy saving and easy to operate HAIER room air conditioner. This manual contains useful information for you to maintain, operate, install and safely use your room air conditioner. Your air conditioner cleans, cools and dehumidifies the air in your room to provide you with the ultimate level of comfort.

Please read instructions carefully before using the product. Also, do not forget to fill out and mail the **Product Registration Card**.

## Product Registration

### Record Your Model and Serial Number.

For all your service calls during the warranty period the following information will be needed. Attach the sales receipt to this guide and keep for future reference. This information can be obtained from the serial plate, which is on your air conditioner. This is either on the cabinet (side or back) or you may have to remove the front grille to locate it.

Model Number: .....

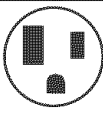


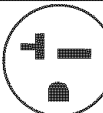

Serial Number: .....

Date of Purchase: .....

Dealer's Name: .....

Dealer's Address: .....





Dealer's Phone Number: .....

TABLE					
RECEPTACLE AND FUSE TYPES					
RATED VOLTS	125/60		250/60		
AMPS	15	20	15	20	30
WALL OUTLET					
FUSE SIZE	15	20*	15	20*	30
TIME DELAY FUSE (or circuit breaker)	Plug	Plug	Plug		

# SAFETY PRECAUTIONS

**WARNING:** *Following these basic precautions will reduce the risk of fire, electrical shock, injury or death when using your air conditioner.*



- 1) Air conditioner must be connected to proper electrical outlet with the correct electrical supply. (see table)
-  2) Proper grounding must be ensured to reduce the risk of shock and fire. **DO NOT CUT OR REMOVE THE GROUNDING PRONG.** If you do not have a three-prong electric receptacle outlet in the wall, have a certified electrician install the proper receptacle. The wall receptacle **MUST** be properly grounded.
-  3) Do not use if power cord is frayed or otherwise damaged. Also avoid using it if there are cracks or abrasion damage along the length, plug or connector.
-  4) **DO NOT USE AN ADAPTER OR AN EXTENSION CORD.**
-  5) When installing your air conditioner in a window, make sure the window is strong enough to hold the weight of the air conditioner. You also want to secure and correctly install your air conditioner properly to prevent it from falling. Extra brackets and or support may be required depending on your window.
- 6) Do not block airflow inside or outside the air conditioner with blinds, drapes, protective covers, shrubs or bushes.
- 7) Be careful of sharp edges on the front and rear fins of the unit that could cut and cause serious injury.
- 8) Be careful when lifting the air conditioner to install or remove the unit. Always use two or more people for this.
- 9) Always unplug the air conditioner before servicing it or moving it.

# Table Of Contents

	PAGE
<b>A Word From Haier</b> .....	1
<b>Product Registration</b> .....	1
<b>Safety Precautions</b> .....	2
<b>Warnings</b> .....	4
<b>Electrical Safety</b> .....	4
<b>Tips</b> .....	5
<b>Energy Saving Guide</b> .....	5
<b>Features</b> .....	6
<b>Operating Guide</b> .....	7-8
Normal Operating Sounds .....	7
Operating Instructions .....	7-8
<b>Installations</b> .....	9-13
Parts Supplied .....	10
Tools .....	10
Steps for Installation .....	11-13
<b>Clean and Care Guide</b> .....	14-15
<b>Troubleshooting</b> .....	15-16
<b>Warranty Information</b> .....	17

# WARNINGS



Following the safety messages is very important.

These messages can save you from being injured or killed.

**Warning** symbols alert you to be careful and means **Danger**. Always follow instructions to be safe and reduce chances of injury or death.

**Warning** and **Danger** signs will precede safety messages.

## Electrical Safety



**Grounding:** This room air conditioner must be grounded. Grounding reduces the risk of electric shock by providing an escape wire for the electric current. The power cord has a grounding wire with a grounding plug. Plug it into an outlet that is properly installed and grounded.

**WARNING:** Improper use of the grounding plug can result in a risk of electric shock. Call a qualified electrician if you don't understand the grounding instructions or if you are not sure if the air conditioner is properly grounded. If the wall outlet is not grounded, please contact an electrician to have it replaced with a properly grounded outlet.

**Do not, under any circumstances, cut or remove the third (ground) prong from the power cord.**

**Adapter Plug:** We strongly advise against using an adapter plug.

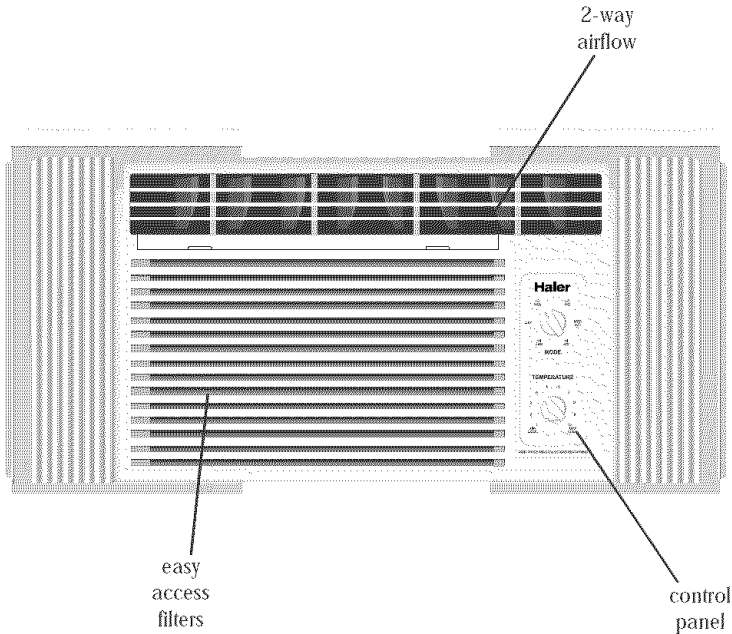
## Tips

- This Air Conditioner is designed for use in a double hung window .
- While installing unit be sure to tilt air conditioner  $1/4$  degree outward to have the water drip outside the house.
- Install the unit on the north side as normally that is the shaded side. This will enhance the operation of your unit.
- ⚠ • Window has to be strong for installation. Extra brackets and or support may be required depending on your window. (Brackets and Supports not included in all models)
- Measure the window before installing, if the window is too big for the unit you may require professional installation.
- ⚠ • Use correct electric voltage and proper ampere for the unit to run effectively.
- ⚠ • Only let a certified electrician do any modifications to your electrical outlet.
- Use a dedicated line for the operation of your air conditioner to avoid the possibility of an electrical surge.

## Energy Saving Guide

- When installing your air conditioner make sure to seal all areas where there is a possibility of air leakage.
- Airflow should not be blocked inside either by curtains, drapes or furniture or outside by shrubs or bushes.
- Do not needlessly use an electrical light or other appliances that produce heat.
- Keep the blinds and the drapes drawn on all the other windows.
- While cooking use an exhaust fan in the kitchen to remove the excess heat produced.
- Always use the correct BTU size air conditioner to cool the room to attain optimum efficiency.

# Features



### 1. Temperature Set Knob

This knob adjusts the temperature of the air. The Higher the setting the cooler the air temperature. With this knob you can set the temperature to your desired comfort level. Min. Cool being the warmest and Max. Cool being the coldest.

### 2. MODE Set Knob

With this knob you can control the fan speed as well as the cooling speed. There are 3 knob positions on the A/C for you to select from. LO will circulate air at the lowest velocity MED at the middle level and HI will circulate at the maximum. You have 2 Fan Only speeds to choose from HI and LO.

### 3. 2-Way Air Flow

The air directional louvers let you control the direction of the airflow in your required direction. The airflow can be directed right side – left side.

### 4. Window Install Kit.

Enables you to install the air conditioner in a double hung window. Extra brackets or support may be needed depending on your window.

# Operating Guide

## Normal Operating Sounds

Following sounds are normally heard during the operation of an air conditioner.

- Thermostat clicks. As the thermostat cycles on/off you will hear this sound.
- Cool airflow movement as dictated by the set fan speed.
- Water sounds. This is normal since your air conditioner acts as a dehumidifier also. Thus you will hear water sounds from water drops falling on the condenser.
- As the refrigerant flows through the inner sealed tubing a rushing noise may be heard.
- Rattling or vibrating noises may be heard due to poor wall or window installation.
- High pitch compressor sound may be heard.

## Operating Instructions

(See fig. # 1)

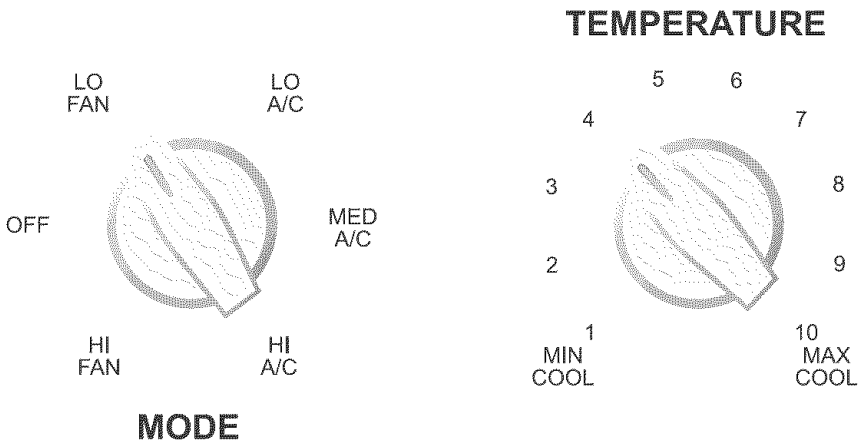


fig. # 1









After installing your air conditioner, plug it into the proper electrical outlet in the wall.

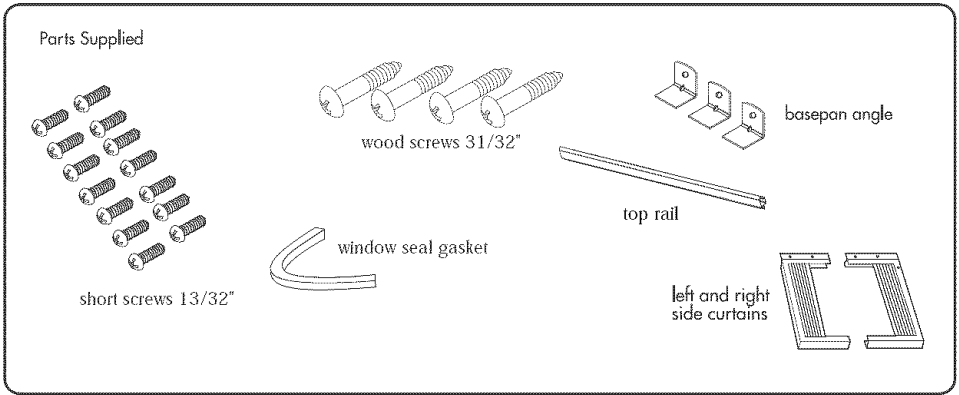
- 1) Select Med. A/C on the Function Set knob.
- 2) Set the Temperature Set knob at the mid level setting. This will turn on your air conditioner.
- 3) You can set the thermostat from Min Cool to Max Cool. Min Cool being the warmest setting Max Cool being the coldest setting .
- 4) Your air conditioner has 2 Fan speeds and 3 A/C settings.
- 5) Let your air conditioner run for a few hours before adjusting to the desired settings.
- 6) **Remember** the compressor of your air conditioner **will not** work when the temperature goes below 65°F.
- 7) Also when you shut off the air conditioner wait for 3 minutes before returning it on again. This is the compressor cycle time.
- 8) If you have any trouble in operating your air conditioner please refer to the Trouble Shooting section.

# Installations

Before you install your air conditioner check the following:

- 1) The unit is free of all obstructions inside and outside the room e.g. drapes, curtains, furniture, plants, shrubs, bushes, trees, other structures like building, garage etc. Air conditioner must have clear unobstructed airflow through the condenser to remove the heat.
- 2) The window is strong enough to hold the weight of the air conditioner. Extra brackets or supports may be needed depending on your windows. (Brackets or Supports not provided in all models)
- 3) The window sill and track are strong enough to hold the weight of the air conditioner.
- 4) The wall is strong enough to hold the unit. Extra brackets or supports may be needed depending on the wall. (Brackets or Supports not provided in all models).
- 5) There is adequate and proper power supply near the air conditioner.
-  6) DO NOT use adapter plugs.
-  7) DO NOT use extension cords.
-  8) DO NOT cut or remove the ground prong.
-  9) DO NOT modify the plug or the electrical wall outlet in any way. If plug does not fit the electrical outlet have a certified electrician do the necessary change.
-  10) DO NOT connect electrical power to the unit before installation.
-  11) DO NOT use if power cord is worn out, frayed or otherwise damaged. Avoid using if there are cracks or abrasion damage along the length, plug or connection.
- 12) DO NOT install into any existing cabinet or sleeve which does not have side and top air vents.

## Parts



## Tools

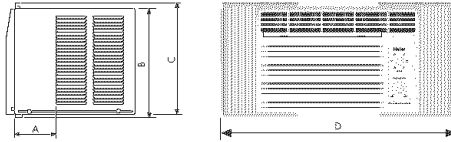
You will need to have the following tools to help you in the installation of your air conditioner.

- Scissors
- Phillips Screwdriver
- Standard Screwdriver
- Pliers
- Wrench
- Drill and Drill Bits
- Tape Measure
- Gloves
- Level
- Sockets

# Installing Unit into A Window

## Window Opening Requirements

The air conditioner is designed to fit into double or single hung sash type windows. Each of the units comes with an installation kit that provides adjustable mounting louvers, to fill the gaps between the sides of the unit, and the window frame. The chart below reflects the dimensions of the units with, and without installation kits. Measure your window opening width and compare it to the chart below to ensure that it meets the minimum and maximum window width requirements.



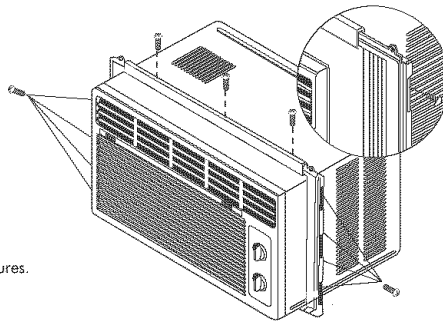
Model	HWF05XC3
Dimension	
A(inch)	$5\frac{3}{25}$ "
B(inch)	$12\frac{3}{5}$ "
C(inch)	$13\frac{2}{5}$ "
D(inch) Max	$33\frac{1}{5}$ "
D(inch) Min	$22\frac{1}{2}$ "
Case High	$12\frac{7}{16}$ "
Case Width	$18\frac{9}{16}$ "
Case Depth	$13\frac{3}{8}$ "

### 1 ASSEMBLE CURTAINS/TOP RAIL

Install top rail with 3 short screws  $13/32$ ".

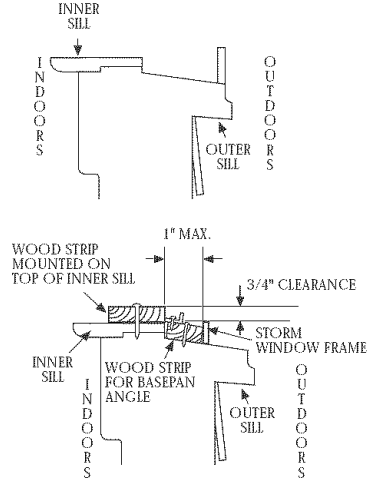
Insert the side curtains into the top and bottom rails of the air conditioner. Fasten the curtains to the unit with 8 short screws  $13/32$ ".

**Caution:** Never expose plastic front or grille to extreme temperatures.



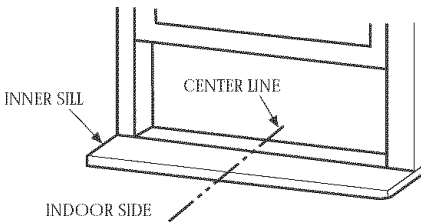
## 2 PREPARE WINDOW FOR INSTALLATION

1. This unit is designed for installation in standard double hung windows with actual opening widths of 22" to 36". The upper and lower sash must open sufficiently to allow a clear vertical opening of 14" from the bottom of the sash to the window stool.
2. If storm window presents interference, fasten a 2" wide wood strip(not included) (OUTER SILL) to the inner window sill across the full width of the sill. The wood strip should be thick enough to raise the height of the window sill so that the unit can be installed without interference by the storm window frame (STORM WINDOW FRAME) or wood strip (OUTDOORS) to help condensation to drain properly to the outside.
3. Install a second wood strip (approximately 6" long by 3/2" wide and same thickness as first strip) in the center of the outer sill flush against the back off the inner sill. This will raise basepan angle.
4. If the distance between STORM WINDOW FRAME and WOOD STRIP MOUNTED ON TOP OF INNER SILL is more than 1" . two of wood strip are not necessary.



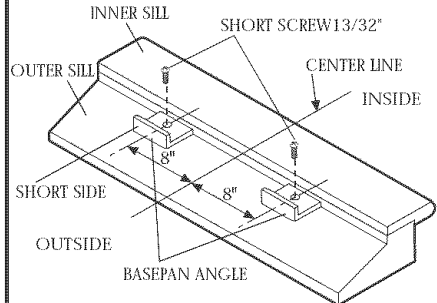
## 3 LOCATING UNIT IN WINDOW

Open the window and mark center line on the center of the inner sill.



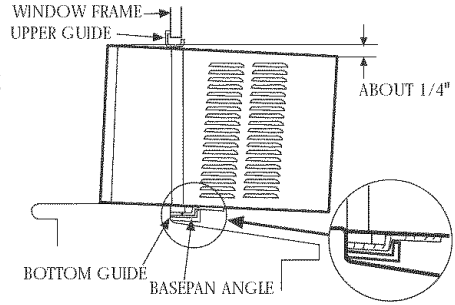
## 4 ATTACH BASEPAN ANGLE

Install the basepan angle behind the inner window sill, with the short side of basepan angle as shown. Use the 2 short screws 13/32" provided. The basepan angle helps to hold unit securely in place. Be sure to place basepan angle edge flush against back of inner sill.



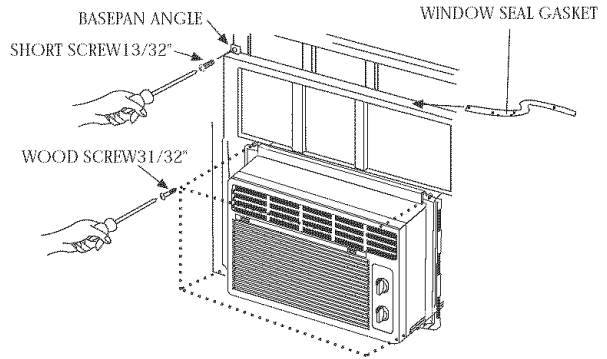
## 5 INSTALL THE AIR CONDITIONER IN THE WINDOW

Carefully lift the air conditioner and slide it into the open window. Make sure the bottom guide of the air conditioner drops into the notches of the basepan angle. While steadying the air conditioner, carefully bring the window sash down behind the upper guide of the air conditioner.

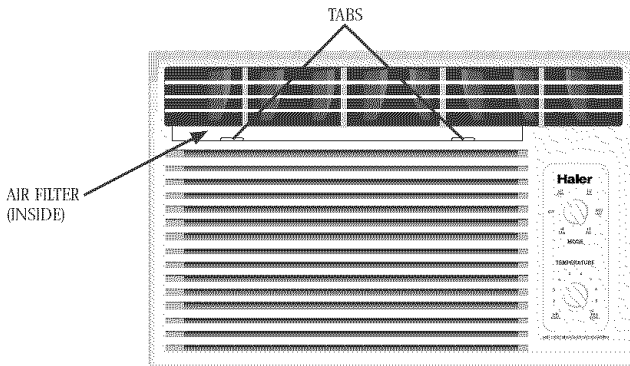


## 6 INSTALL THE SEAL GASKET AND SASH LOCK

Extend the side curtains to fill the window opening using 4 wood screws  $3/16 \times 3/32$  to secure them. Cut the seal gasket to the window width. Stuff the sash seal between the glass and the window to prevent air and insects from getting into the room. Fasten the basepan angle, using a short screw  $1/3 \times 3/32$ .



# Care and Cleaning Guide



- Always unplug your air conditioner before cleaning.
- Air filter needs to be cleaned at least once a month for your unit to operate at optimum efficiency. The filter can be slid out by drawing the left and right tabs located on the air filter.  
The filter may be washed or vacuumed. Remove the excess water from the filter by gently shaking the filter. This will remove dust and particles trapped in the filter. After cleaning, reinstall the filter.  
DO NOT use your air conditioner without the air filter in place.
- To clean the front panels or the cabinet DO NOT use harsh chemicals, abrasives, ammonia, chlorine, bleach, concentrated detergents, solvents or metal scouring pads.  
Some of these chemicals may dissolve, damage and/or discolor your air conditioner.
- Always use a soft cloth dampened with water or mild soap and water solution to wipe the front of the cabinet.  
Wipe dry with a soft cloth.

- To store your air conditioner, after the season, remove the unit from the window as per the installation guide. Repack the unit in its original box and store away. If you do not intend to remove it from the window then cover the outside with a winter cover.  
This can be purchased from the retailer where you purchased your air conditioner or from your local hardware store.
- Before putting away your unit make sure any water left in the pan is removed and drained away. Water left in the pan could lead to Rusting or damage to the electrical connections.

## Trouble-Shooting

### **If air conditioner does not operate:**

- Check if unit is plugged in. The plug may have come loose.
- Check if the unit is in "Off" mode.
- The fan control may be in "Off" position.

### **Air from air conditioner is warm:**

- The A/C setting may need to be raised.
- The temperature outside the room is below 65°F. The compressor will not cycle on if the temperature outside is below 65°F.

### **Ice formation on cooling coils:**

- Outside temperature too cold. Set the unit on fan only setting to defrost ice.
- Lower temperature setting. Temperature setting may be too cold.
- Unit BTU may be too high for the room.



## **Air conditioner working but room not cooling:**

- Room may have appliances that produce heat. Use an exhaust fan to remove excess heat.
- Redirect the airflow. Remove any obstacles.
- All doors and windows need to be closed so cool air does not escape the room.
- Air filter may need cleaning.
- Unit BTU may be too low for the required cooling area.
- On extreme hot & humid days air conditioners may take a little longer to cool.

## **Air conditioner is making noise when cooling:**

You may hear sounds of air movement, water, compressor clicking on and off or window vibrations. Please read Operating Guide – Normal Operating Sounds. (see page 7)

## **Water in the air conditioner cabinet:**

This is normal as your air conditioner not only cools but also dehumidifies the air. If there is water dripping inside the room, check the installation of the unit. The unit may need to be reinstalled. (see page 13)

# Limited Warranty

**This warranty covers all defects in workmanship or materials for:**

1. The mechanical and electrical parts (including labor costs) contained in this Haier product, for a period of 12 months, from the date of purchase, (commercial or rental application, the warranty is 90 days).
2. The sealed system and compressor contained in this Haier product is for a period of 5 years, from the date of purchase (excluding labor costs after the initial 12 month period). In commercial or rental use, the additional limited compressor warranty is for 1 year and 9 months, (excluding labor costs after the initial 90 days period).

**You must keep and be able to provide your original sales receipt as proof of the date of purchase.**

## Who is covered?

The original retail purchaser of this Haier product.

## What will be done?

Haier will repair or replace, in your home, any mechanical, electrical part or the compressor, which proves defective in normal household, use for a period of 12 months. Haier will repair or replace (excluding labor costs) the sealed system and compressor (parts only) for an additional 4 year period.

## How can you get service?

1. Contact your nearest Haier authorized Service Depot. For the name of the Service Depot nearest you, contact Haier at (877) 337-3639.
2. All service must be performed, by an authorized Haier Service Depot.

**THIS WARRANTY COVERS UNITS WITHIN THE CONTINENTAL UNITED STATES, CANADA AND PUERTO RICO.**

## THIS WARRANTY DOES NOT COVER:

- Damages from improper installation
- Damages in shipping
- Damages from misuse, abuse, accident, alteration, lack of proper care and maintenance
- Damages from service, by other than an authorized dealer or service center
- Labor, service, transportation and shipping charges for the removal of defective parts and installation of a replacement part, beyond the initial 12 month period.

THIS LIMITED WARRANTY IS GIVEN IN LIEU OF ALL OTHER WARRANTIES, EXPRESS OR IMPLIED, INCLUDING THE WARRANTIES OF MERCHANTABILITY AND FITNESS FOR A PARTICULAR PURPOSE.

The remedy provided in this warranty is exclusive and is granted in lieu of all other remedies. This warranty does not cover incidental or consequential damages. Some states do not allow the exclusion of incidental or consequential damages, so this limitation may not apply to you. Some states do not allow limitations on how long an implied warranty lasts, so this limitation may not apply to you. This warranty gives you specific legal rights, and you may also have other rights, which vary from state to state.

## Un mot de Haier

Félicitations! Vous venez de faire l'acquisition d'un climatiseur d'appartement facile à utiliser et d'une grande fiabilité et qui vous permettra de faire des économies d'énergie. Ce manuel contient des informations importantes qui vous permettront d'installer le climatiseur et de procéder à sa maintenance et de l'utiliser en toute sécurité. Votre climatiseur nettoie, refroidit et assèche l'air de votre pièce afin d'offrir un confort optimal.

Veillez lire les instructions attentivement avant d'utiliser cet appareil. De plus, n'oubliez pas de remplir et de renvoyer la carte d'enregistrement de l'appareil.

## Enregistrement de l'appareil

Notez le numéro du modèle et son numéro de série.

Vous aurez besoin des informations suivantes pour toutes réparations ou opérations d'entretien et de maintenance lors de la période couverte par la garantie. Fixez le reçu de vente à cette notice et conservez-la afin de pouvoir la consulter ultérieurement. Vous trouverez ces informations au niveau de la plaque signalétique de votre appareil. Si la plaque ne se trouve pas sur l'habillage (sur le côté ou au dos), retirez la grille afin de la trouver.

Numéro du modèle: .....

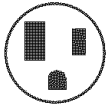


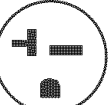

Numéro de série: .....

Date d'achat: .....

Nom du revendeur: .....

Adresse du revendeur: .....

Numéro de téléphone du revendeur: .....





TABLEAU					
PRISES ET FUSIBLES					
TENSION NOMINALE	125/60		250/60		
AMPÈRES	15	20	15	20	30
PRISE MURALE					
CALIBRE DU FUSIBLE	15	20*	15	20*	30
FUSIBLE À FUSION TEMPORISÉE (ou disjoncteur)	Fusible à Culot	Fusible à Culot	Fusible à Culot		

# CONSIGNES DE SÉCURITÉ

AVERTISSEMENT: Veuillez suivre ces précautions de base



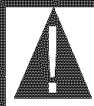
Lorsque vous utilisez l'appareil afin de réduire tout risque d'incendie, d'électrocution, de blessure, voire de mort.

- 1) Le climatiseur doit être branché au niveau d'une prise électrique d'une tension adéquate. (Consultez le tableau)
-  2) L'appareil doit être mis à la terre (masse) afin de réduire tout risque d'électrocution et d'incendie. **NE PAS COUPER NI RETIRER LA BROCHE DE MASSE.** Si votre prise murale ne peut accueillir une fiche à trois broches, veuillez faire en sorte qu'un électricien qualifié en installe une. La prise murale **DOIT** être mise à la masse.
-  3) Ne pas utiliser l'appareil si le cordon d'alimentation est effiloché ou usuré, ou si la fiche et le connecteur sont endommagés.
-  4) **NE PAS UTILISER UN ADAPTATEUR OU UNE RALLONGE.**
-  5) Lorsque vous installez votre climatiseur sur une fenêtre, vérifiez que cette dernière est suffisamment robuste afin de soutenir le poids de l'appareil. Vous devrez également fixer l'appareil afin qu'il ne puisse tomber et installer des supports et fixations supplémentaires en fonction du type de fenêtre.
- 6) Ne pas gêner ni obstruer le flux d'air à l'intérieur et à l'extérieur de l'appareil avec des stores, des rideaux, des caches de protections, et des buissons.
- 7) Prenez garde à ne pas vous blesser sur les bords coupants des ailettes à l'avant et à l'arrière de l'appareil.
- 8) Faites attention lorsque vous installez ou retirez l'appareil. Veillez à toujours soulever l'appareil en vous faisant aider par une ou deux autres personnes.
- 9) Débranchez toujours le climatiseur avant de le déplacer ou d'effectuer toute opération de maintenance.

## Sommaire

Un mot de Haier .....	
Enregistrement de l'appareil .....	18
Consignes de sécurité.....	19
Avertissements .....	21
Sécurité et électricité.....	21
Conseils .....	22
Guide d'économies d'énergie .....	22
Caractéristiques .....	
Guide d'utilisation .....	24-25
Bruits de fonctionnement lors d'une exploitation normale .....	24
Instructions d'exploitatio.....	
Installations .....	26-30
Pièces fournies .....	27
Outils .....	
Installation du climatiseur sur une fenêtre .....	28-30
Guide de nettoyage et d'entretien.....	31-32
Guide de dépannage.....	
Garantie Limitée.....	34

# AVERTISSEMENTS



Il est important de suivre les consignes de sécurité.  
 Ces consignes peuvent vous éviter des blessures voire la mort.  
 Les Avertissements vous mettent en garde et indiquent un Danger.  
 Veuillez suivre les instructions pour votre sécurité et réduire les risques de  
 blessure, voire de mort. Les indications "Avertissement" et "Danger"  
 précèdent les consignes de sécurité.

## Sécurité et Électricité






Mise à la masse: Ce climatiseur doit être mis à la masse. La mise à la terre réduit les risques de chocs électriques grâce à une broche permettant que le courant s'échappe. Le cordon électrique comporte un fil de masse avec une broche de masse. Branchez la fiche dans une prise adéquate ayant été mise à la masse.

**AVERTISSEMENT:** Toute utilisation incorrecte de la broche de terre risque d'entraîner une électrocution. Contactez un électricien qualifié si vous ne comprenez pas les instructions de mise à la masse ou si vous ne savez pas si le climatiseur a été correctement mis à la terre. Si la prise murale n'est pas mise à la terre, veuillez contacter un électricien afin de la remplacer par une prise ayant été mise à la masse.

Ne jamais retirer ou couper la troisième broche (masse) du cordon d'alimentation.

Fiche d'adaptation: Il est vivement déconseillé d'utiliser une prise d'adaptation.

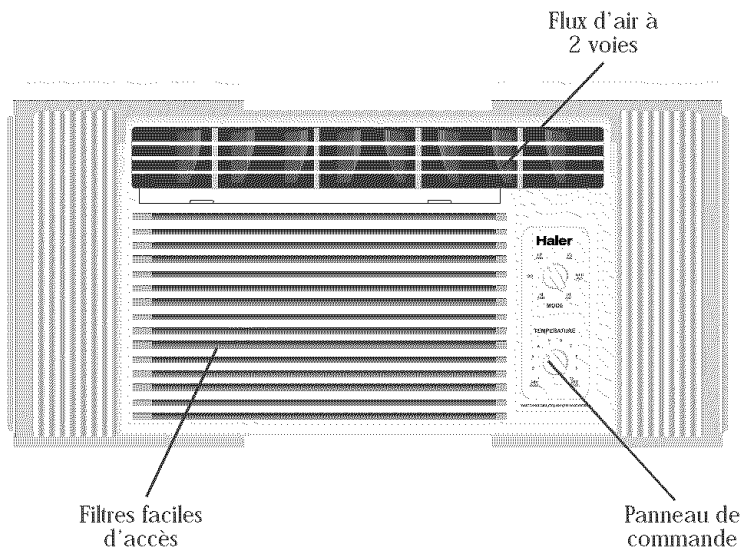
## Conseils

- \*Les climatiseurs ont été conçus afin d'être installés sur une fenêtre à guillotine .
- \*Lorsque vous installez l'appareil, penchez l'appareil 1/4 de degré vers l'extérieur afin que l'eau puisse d'égoutter à l'extérieur de la maison.
-  \*Installez l'appareil sur le côté nord de la maison, à savoir le côté ombragé. Ceci vous permettra d'améliorer le rendement de l'appareil.
- \* La fenêtre doit être robuste. Vous devrez peut être installer des supports et des fixations supplémentaires en fonction du type de fenêtre. (parenthèses et appuis non inclus dans tous les modèles)
- \*Mesurez la fenêtre avant d'installer l'appareil. Si la fenêtre est trop large, faites-vous aider par un professionnel.
-  \*Assurez-vous que l'appareil puisse être branché sur une prise murale adéquate correspondant à la tension et à l'intensité de ce dernier afin qu'il puisse fonctionner à plein rendement.
-  \*Toute modification au niveau de votre prise électrique doit être effectuée uniquement par un électricien agréé.
- \*Employez une ligne fiable pour l'exécution de votre climatiseur pour éviter la possibilité d'une montée subite électrique.

## Guide d'économies d'énergie

- \*Lorsque vous installez votre climatiseur, veuillez faire en sorte que la pièce ne comporte aucune ouverture permettant à l'air froid de s'échapper.
- \*Veuillez ne pas gêner le flux d'air à l'intérieur avec des rideaux ou des meubles et avec des buissons à l'extérieur.
- \*N'utilisez pas inutilement de lampe ou tout autre appareil risquant de générer de la chaleur.
- \*Veuillez à ce que l'évent demeure fermé lorsque l'appareil fonctionne.
- \*Veuillez à ce que les rideaux et stores de toutes les autres fenêtres soient fermés.
- \*Lorsque vous cuisinez, utilisez une hotte d'aération et d'extraction dans la cuisine afin d'aspirer toute chaleur produite.
- \*Utilisez toujours un climatiseur d'une puissance en BTU adéquate afin de refroidir la pièce de façon efficace.

## Caractéristiques



### 1. Bouton de température

Ce bouton permet de régler la température de l'air. Plus le réglage est élevé, et plus la température de l'air est basse. Réglez la température de l'air au niveau que vous désirez grâce à ce bouton. "Min. Cool" est le réglage le moins froid et "Max. Cool" est le réglage le plus froid.

### 2. Bouton de réglage

Ce bouton vous permet de régler la vitesse du ventilateur et la vitesse de refroidissement. Il existe 3 positions de réglage sur l'appareil. Réglez le bouton sur "LO" afin de faire circuler l'air le moins rapidement possible, sur "MED" pour une vitesse moyenne et sur "HI" pour un flux d'air maximum. Le ventilateur peut uniquement être réglé sur 2 vitesses, "HI" et "LO".

### 3. Flux d'air à 2 voies

Ces volets d'air directionnels ou persiennes vous permettent de contrôler la direction de l'air. Le bas ainsi qu'à droite et à gauche.

### 4. Kit d'installation pour fenêtre

Cette caractéristique vous permet d'installer le climatiseur sur une fenêtre à guillotine. Vous devrez peut-être installer des supports et fixations supplémentaires en fonction du type de fenêtre.



## Guide d'utilisation

### Bruits de fonctionnement lors d'une exploitation normale

Les bruits suivants seront perceptibles lorsque le climatiseur fonctionne.

- \*Le thermostat émet des déclics. Vous entendrez un déclic à chaque fois que le thermostat se met en marche et s'arrête.
- \*Déplacement d'air froid provoqué par le ventilateur.
- \*Bruits d'eau. Ceci est normal puisque votre climatiseur sert également de déshumidificateur. Vous entendrez ainsi des gouttelettes d'eau tomber dans le condenseur.
- \*Vous risquez également d'entendre des bruits stridents lorsque le liquide réfrigérant passe par les tubes intérieurs.
- \*Vous entendrez également des vibrations et des bruits de casse si l'installation dans le mur ou sur une fenêtre laisse à désirer.
- \*Bruits aigus provoqués par le compresseur.

### Instructions d'exploitation

(Voir fig. # 1)

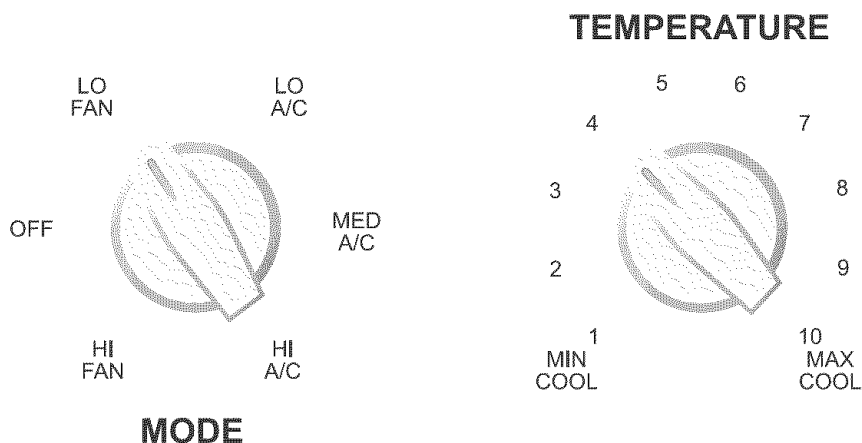








fig. # 1

Après avoir installé votre climatiseur, branchez le cordon d'alimentation dans une prise murale adéquate.

- 1) Sélectionnez "Med A/C" avec le bouton de réglage.
- 2) Réglez le bouton de température sur le niveau moyen. Ceci mettra en marche votre climatiseur.
- 3) Vous pouvez régler le thermostat de "Min. Cool" à "Max. Cool". "Min. Cool" est le réglage le moins froid et ajuste "Max. Cool" est le réglage le plus froid ajuste.
- 4) Votre climatiseur 2 vitesses de ventilateur et, 3 configurations d'cA/c.
- 5) Laissez votre climatiseur fonctionner pendant quelques heures avant l'ajustement sur les configurations désirées.
- 6) N'oubliez pas que le compresseur du climatiseur ne fonctionnera pas si la température descend en-dessous de 65°F(18°C).
- 7) Après avoir éteint votre climatiseur, attendez 3 minutes avant de le rallumer. En effet, il s'agit de la durée du cycle du compresseur.
- 8) Si vous rencontrez des difficultés lors du fonctionnement du climatiseur, veuillez vous reporter à la section de dépannage.

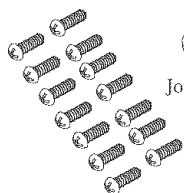
# Installations

Vérifiez les points suivants avant d'installer votre climatiseur:

- 1) Vérifiez que rien ne gêne l'appel et le flux d'air à l'intérieur et à l'extérieur de la pièce (par ex: rideaux, tentures, meubles, plantes, buissons, arbres ou toute autre type de construction comme un immeuble, un garage, etc.). Il est important que rien ne gêne le flux d'air allant au condenseur afin que l'appareil puisse évacuer l'air chaud.
- 2) Vérifiez que la fenêtre est suffisamment robuste afin de supporter le poids du climatiseur. Vous devez peut être installer des supports et fixations supplémentaires en fonction du type de fenêtre. (parenthèses et appuis non inclus dans tous les modèles)
- 3) Vérifiez que le rebord de la fenêtre est suffisamment robuste afin de supporter le poids du climatiseur.
- 4) Vérifiez que le mur est suffisamment robuste afin d'accueillir le climatiseur. Vous devez peut être installer des supports et fixations supplémentaires en fonction du type de mur (parenthèses et appuis non inclus dans tous les modèles).
- 5) Vérifiez qu'il existe une source de courant électrique adéquate à proximité de l'appareil.
-  6) NE PAS utiliser de fiches d'adaptation.
-  7) NE PAS utiliser de rallonges.
-  8) NE PAS couper ni retirer la broche de masse de la fiche.
-  9) NE PAS modifier la fiche ni la prise électrique murale. Si la fiche ne correspond pas à la prise murale, contactez un électricien agréé afin de procéder à la modification.
-  10) NE PAS brancher le cordon électrique avant d'installer l'appareil.
-  11) NE PAS utiliser l'appareil si le cordon d'alimentation est effiloché ou fissuré, ou si la fiche et le connecteur sont endommagés.
- 12) NE PAS installez sur aucun module ou douille existant qui n'ont pas les mises à l'air libre latérales et supérieures.

## Pièces

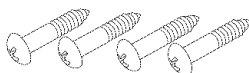
### Pièces fournies



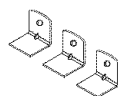
Vis courtes 13/32 po.



Joint du cadre de fenêtre



Vis à bois 31/32 po.

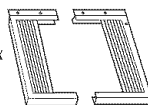


Consoles d'angle du fond



Rail de montage supérieur

Rideaux latéraux gauche et droit



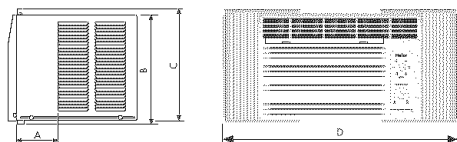
## Outils

Vous aurez besoin des outils suivants pour l'installation du climatiseur:

- \* Ciseaux
- \* Tournevis cruciforme
- \* Tournevis ordinaire
- \* Pinces
- \* Clé à molette
- \* Perceuse et forets
- \* Mètre (ruban gradué)
- \* Gants
- \* Niveau
- \* Clé à douille

# Installation du climatiseur sur une fenêtre

Le climatiseur a été conçu afin d'être installé sur une fenêtre à guillotine simple ou double. Chaque climatiseur est fourni avec un kit d'installation avec des persiennes qui permettent de fermer les ouvertures des deux côtés, entre le climatiseur et la fenêtre. Le tableau ci-dessous indique les dimensions de chaque appareil avec ou sans kit d'installation. Mesurez la largeur de l'ouverture de la fenêtre et comparez-la au tableau ci-dessous afin de vous assurer qu'elle correspond aux critères minimum et maximum.



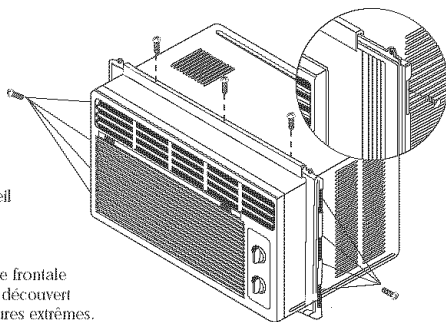
Modèle	HWF05XC3
Dimensions	
A (po.)	$5\frac{3}{25}''$
B (po.)	$12\frac{3}{5}''$
C (po.)	$13\frac{2}{5}''$
D (po.) max.	$33\frac{1}{5}''$
D (po.) min.	$22\frac{1}{2}''$
Hauteur de boîte	$12\frac{7}{16}''$
Largeur de boîte	$18\frac{9}{16}''$
Profondeur de boîte	$13\frac{3}{8}''$

## 1 MONTEZ LES RIDEAUX ET LE RAIL SUPÉRIEUR

Montez le rail supérieur en utilisant quatre 3 Vis courtes 13/32 po. .

Introduisez les rideaux latéraux dans les rails supérieurs et inférieurs du climatiseur. Fixez les rideaux à l'appareil avec 8 vis courtes 13/32 po. .

Attention: Ne laissez jamais la partie frontale en plastique ni la grille à découvert en présence de températures extrêmes.



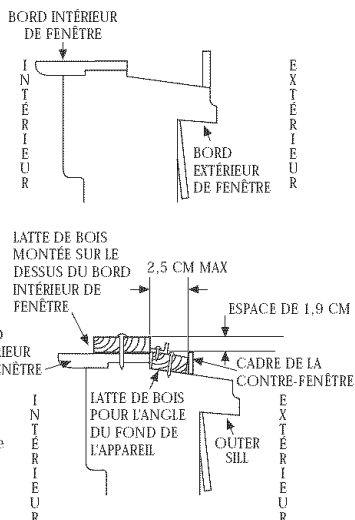
## 2 PRÉPAREZ LA FENÊTRE POUR L'INSTALLATION

1. Cette coupe est destinée à toute fenêtre à double guillotine présentant une largeur de 55,8 cm à 91,4 cm. La guillotine supérieure et inférieure doit pouvoir suffisamment s'ouvrir afin de laisser une ouverture verticale de 35,5 cm du bas de la guillotine au bord de la fenêtre.

2. Si la contre-fenêtre (fenêtre de doublage) gêne, fixez une latte de bois (ce n'est pas inclus) de 5 cm de large (BORD EXTÉRIEUR) au bord intérieur de fenêtre sur toute la largeur du bord de fenêtre. La latte de bois doit être suffisamment large afin de surélever la hauteur de façon à ce que le climatiseur puisse être installé sans que le cadre de la contre-fenêtre (CADRE DE LA FENÊTRE DE DOUBLAGE) ou la latte de bois (À L'EXTÉRIEUR) ne gêne afin de l'eau de condensation puisse s'écouler correctement vers l'extérieur.

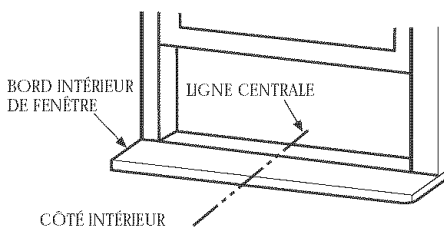
3. Installez une deuxième latte de bois (environ 15,2 cm de long et 3,8 cm de large et de la même épaisseur que la première latte de bois) au centre du bord extérieur, à ras du bord intérieur. Vous élevez ainsi l'angle du fond du climatiseur.

4. Si la distance entre LE CADRE DE LA CONTRE-FENÊTRE et LA LATTE DE BOIS QUI EST MONTÉE SUR LE BORD DE FENÊTRE SUPÉRIEUR est supérieur à 2,5 cm, il est inutile d'utiliser deux lattes.



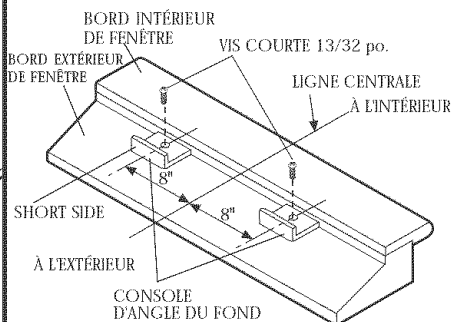
## 3 PLACEZ LE CLIMATISEUR SUR LA FENÊTRE

Ouvrez la fenêtre et tracez une ligne sur le centre du rail intérieur.



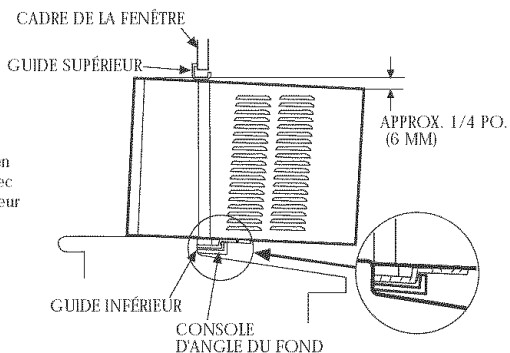
## 4 FIXEZ LA CONSOLE D'ANGLE DU FOND

Installez la console d'angle du fond de l'appareil derrière le bord de fenêtre intérieur, avec le côté court de la console comme illustré. Utilisez les 2 vis courtes 13/32 po. fournies. La console d'angle du fond permet de maintenir solidement en place le climatiseur. Assurez-vous que la console d'angle se trouve au ras de la partie arrière du bord de fenêtre intérieur.



## 5 INSTALLEZ LE CLIMATISEUR SUR LA FENÊTRE

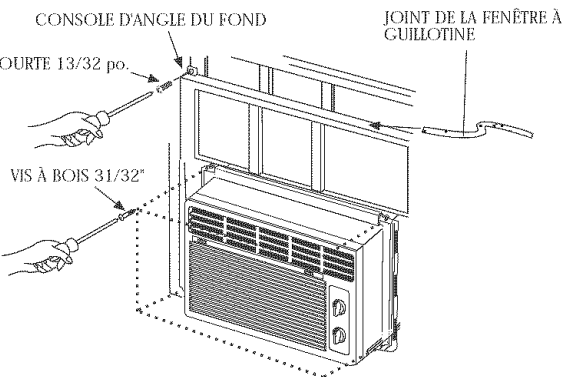
Ouvrez la fenêtre puis soulevez le climatiseur avec précaution et glissez-le sur la fenêtre. Assurez-vous que le guide inférieur du climatiseur vienne se loger dans les crans de la console d'angle du fond. Tout en équilibrant le climatiseur, descendez la guilotine avec précaution afin de la placer derrière le guide supérieur du climatiseur.



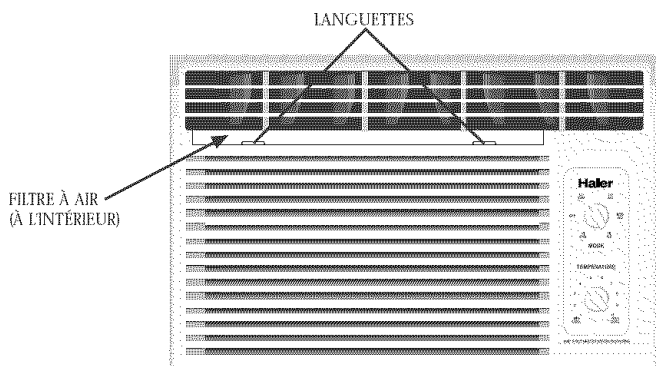
## 6 INSTALLEZ LE JOINT DE FENÊTRE À GUILLOTINE ET SON FERMOIR

Tirez sur les rideaux extérieurs afin de remplir l'ouverture entre le climatiseur et la fenêtre en utilisant 4 vis à bois 31/32 po. pour les fixer.

Coupez le joint en fonction de la largeur de la fenêtre à guilotine. Enfoncez le joint entre le verre et la fenêtre afin d'éviter que de l'air ou des insectes passent dans la pièce. Fixez la console d'angle avec une vis courte 13/32 po. .



## Guide de Nettoyage et d'entretien



- \* Débranchez toujours le cordon électrique avant de nettoyer le climatiseur.
- \* Le filtre à air doit être nettoyé au moins une fois par mois afin que l'appareil fonctionne à son rendement optimal. Le filtre à air peut être retiré en tirant sur les languettes gauche ou droite situées sur le filtre à air. Le filtre peut être lavé ou nettoyé à l'aspirateur. Retirez l'eau du filtre en le secouant légèrement. Ceci vous permettra de retirer la poussière et les particules à l'intérieur du filtre. Après avoir nettoyé le filtre, replacez-le.  
NE PAS utiliser le climatiseur sans filtre.
- \* Pour nettoyer les panneaux avant ou l'habillage, NE PAS utiliser les produits suivants: produits chimiques puissants, agents abrasifs, chlore, ammoniac, détergents concentrés, solvants, tampons à récurer ou tampons en laine ou paille de fer. Certains de ces produits chimiques risquent de dissoudre, d'endommager et de décolorer la surface du climatiseur.
- \* Veillez à toujours utiliser un chiffon humide avec de l'eau ou une solution savonneuse à base d'eau et de savon peu puissant afin d'essuyer l'avant de l'habillage. Séchez en essuyant avec un chiffon sec.



\*Pour ranger et remiser votre climatiseur après la saison chaude, retirez l'appareil de la fenêtre en suivant les instructions du guide d'installation. Remplacez le climatiseur dans son carton d'origine et rangez-le. Si votre appareil a été monté dans un mur ou une cloison ou si vous ne comptez pas le retirer de la fenêtre, placez une housse de protection pour l'hiver sur la partie extérieure. Vous pouvez vous procurer ces housses auprès du revendeur qui vous a vendu le climatiseur ou auprès de votre quincaillier le plus proche.

\*Avant de remiser l'appareil, assurez-vous qu'il ne reste pas d'eau dans le bac et que toute l'eau a été purgée. Toute eau demeurée dans le bac risque d'entraîner la formation de rouille et d'endommager les raccordements électriques.

## Guide de dépannage

Si le climatiseur ne fonctionne pas:

- \*Assurez-vous que le cordon électrique est branché. La fiche risque de s'être débranchée.
- \*Assurez-vous que l'appareil se trouve sur "Off"(mode d'arrêt).
- \*Le ventilateur risque d'être sur "Off"(arrêt).

L'air sortant du climatiseur est chaud:

- \*Le réglage de l'air conditionné doit probablement être augmenté.
- \*La température à l'extérieur de la pièce est inférieure à 65°F(18°C).  
Le compresseur ne fonctionnera pas si la température extérieure est inférieure à 65°F(18°C).

Du givre Se forme sur les bobines de refroidissement:

- \*La température extérieure est trop froide. Réglez l'appareil sur le mode de ventilation afin de dégivrer les bobines.
- \*Abaissez la température. Le réglage de la température est probablement trop bas.
- \* La puissance en BTU de l'appareil est probablement trop élevée pour la pièce.

Le climatiseur fonctionne mais la pièce ne se refroidit pas:

\*La pièce comporte sans doute des appareils générant de la chaleur.

Utilisez un ventilateur extracteur d'air afin de retirer la chaleur.

\*L'évent est probablement ouvert. Fermez l'évent pour refroidir la pièce au maximum.

\*Toutes les portes et fenêtres doivent être fermées afin que l'air froid ne puisse s'échapper de la pièce.

\*Il est possible que les filtres soient sales et doivent être nettoyés.

\*La puissance en BTU de l'appareil est insuffisante afin de refroidir la pièce.

\*Il faut toujours un peu plus de temps pour refroidir une pièce lors d'une chaleur extrême et d'une forte humidité.

Le climatiseur fait du bruit lorsqu'il fonctionne:

Vous entendrez sans doute des bruits de déplacements d'air, d'eau, des clics et les vibrations de la fenêtre. S'il vous plaît lisez attentivement la section "Bruits de fonctionnement lors d'une exploitation normale" du guide d'utilisation. (Voyez la page 24)

Présence d'eau dans l'habillage du climatiseur:

Ceci est normal car le climatiseur non seulement refroidit mais assèche l'air. Si de l'eau s'égoutte dans la pièce, vérifiez l'installation. Vous devrez peut être recommencer l'installation. (Voyez la page 30)

## Garantie Limitée

Cette garantie couvre les pièces suivantes du climatiseur contre tous vices de fabrication et de matériaux:

1. Les pièces mécaniques et électriques (y compris les frais de main d'oeuvre) de ce produit Haier pour une période de 12 mois à partir de la date d'achat (pour utilisation commerciale et location, la garantie est de 90 jours).

2. Le système scellé et le compresseur contenu à l'intérieur de ce produit Haier pour une période de 5 ans à partir de la date d'achat (frais de main d'oeuvre non compris après les 12 premiers mois de couverture). Si l'appareil est utilisé commercialement ou en location, la garantie supplémentaire du compresseur est de 1 à 9 mois (frais de main d'oeuvre non compris après les 90 premiers jours).

Veuillez conserver votre reçu de vente daté comme preuve d'achat.

Qui est couvert?

L'acheteur d'origine ayant fait l'acquisition de cet appareil Haier.

Quelles sont les réparations couvertes?

Haier s'engage à réparer ou à remplacer à votre domicile, et pour une durée de 12 mois, toute pièce mécanique ou électrique du compresseur ayant été déterminée défectueuse suite à une utilisation jugée normale. Haier s'engage à réparer ou à remplacer (frais de main d'oeuvre non compris) le système scellé et le compresseur (pièces uniquement) pour une période supplémentaire de 4 ans.

Démarches à suivre pour toutes réparations

1. Contactez votre centre de réparation agréé Haier le plus proche. Pour connaître le nom du centre agréé Haier le plus proche, composez le (877) 337-3639.

2. Toute réparation doit être effectuée par un centre de réparation agréé Haier.

LA GARANTIE COUVRE LES APPAREILS SUR LE TERRITOIRE CONTINENTAL DES ETATS-UNIS, AU CANADA ET A PUERTO RICO.

LA GARANTIE NE COUVRE PAS:

\*Les dommages survenant suite à une installation incorrecte.

\*Les dommages survenant lors du transport.

\*Les dommages et dégâts suite à toute utilisation incorrecte ou abusive, négligence ou modification.

\*Les dommages suite à des réparations ayant été effectuées par un concessionnaire ou revendeur autre que par un centre de réparation agréé Haier.

\*Les pièces de garniture en verre.

\*Les frais de main d'oeuvre, de réparations, de transport et tous frais d'expédition couvrant le démontage de pièces et le montage des pièces de rechange au-delà des 12 premiers mois.

LA PRÉSENTE GARANTIE REMPLACE TOUTE AUTRE GARANTIE EXPRESSE OU IMPLICITE Y COMPRIS TOUTE GARANTIE DE COMMERCIALITÉ OU DE QUALITÉ MARCHANDE ET D'APTITUDE À UNE UTILISATION PARTICULIÈRE.

Le recours offert par la garantie est un recours exclusif et tient lieu de recours unique. Cette garantie ne couvre pas les dommages accessoires ou indirects. Certains états ou provinces ne permettent ni la limitation de la durée d'une garantie implicite ni l'exclusion de dommages indirects. Les limites ou exclusions mentionnées ci-dessus peuvent ne pas s'appliquer dans votre cas. Cette garantie vous confère des droits juridiques particuliers et il est possible que vous ayez d'autres droits qui peuvent varier selon l'état et la province.

## Un Mensaje De Haier

Le agradecemos que haya comprado el acondicionador de aire de HAIER para habitación, un aparato confiable, que ahorra energía y de operación fácil. Este manual contiene información útil para el mantenimiento, la operación, la instalación y el uso seguro de su acondicionador de aire para habitación. El acondicionador de aire limpia, enfría y reduce la humedad del aire de la habitación para proporcionarle el más alto nivel de confort.

Por favor, lea cuidadosamente estas instrucciones antes de usar el aparato. Además, no olvide llenar y enviarnos por correo la **Tarjeta de Registro del Producto**.

## Registro Del Producto

**Registre el Modelo y Número de Serie de su Aparato.**

Para todos los pedidos de servicio durante el período de garantía es necesario tener la siguiente información. Adjunte su recibo de compra a esta guía y guárdelos para referencia futura.

La información que aquí se pide se encuentra en la placa de serie del acondicionador de aire. La placa está colocada en el gabinete (en el costado lateral o en el respaldo) o puede ser necesario remover la rejilla del frente para encontrarla.

Modelo Número: .....






Número de Serie: .....

Fecha de Compra: .....

Nombre del Distribuidor: .....

Dirección del Distribuidor: .....





Teléfono del Distribuidor: .....

TABLA					
TIPO DE RECEPTACULO Y FUSIBLES					
VOLTIOS INDICADOS	125/60			250/60	
AMPÉRES	15	20	15	20	30
RECEPTACULO DE PARED					
CAPACIDAD DEL FUSIBLE	15	20*	15	20*	30
FUSIBLE ELEVADOR O INTERRUPTOR	TIPO DE ENCHUFE	TIPO DE ENCHUFE	TIPO DE ENCHUFE		

# PRECAUCIONES DE SEGURIDAD

**ADVERTENCIA:** *Tome estas precauciones básicas para reducir los riesgos de incendio, choque eléctrico, lesiones o accidentes fatales, cuando usa su acondicionador de aire.*



- 1) El acondicionador de aire debe conectarse a un receptáculo eléctrico adecuado, energizado con la corriente apropiada. (ver la tabla)
-  2) La conexión eléctrica debe proporcionar una conexión segura a tierra para reducir los riesgos de choque eléctrico o incendio. **NO CORTE O REMUEVA LA CLAVIJA DEL ENCHUFE QUE PROPORCIONA LA CONEXIÓN A TIERRA.** Si no tiene en la pared un receptáculo eléctrico para tres clavijas, pida a un electricista certificado que le instale el receptáculo adecuado. El receptáculo **DEBE** estar conectado a tierra correctamente.
-  3) No use un cable de alimentación que se encuentre gastado o en malas condiciones. Evite usarlo si muestra grietas o daños por desgaste en el cable mismo o en el enchufe o conector.
-  4) **NO USE ADAPTADORES O CABLES DE EXTENSION.**
-  5) Cuando instale el acondicionador de aire en una ventana, asegúrese que la ventana es suficientemente fuerte para sostener el peso del acondicionador de aire. También verifique que el aparato queda seguro y correctamente instalado para evitar que pueda caerse. Según su ventana, puede ser necesario instalar apoyos o soportes adicionales para que el aparato quede apropiadamente instalado.
- 6) No obstruya la corriente de aire del acondicionador dentro de la habitación, o fuera de ella, con persianas, cortinas, cubiertas de protección, arbustos o matas.

- 7) Tenga cuidado con los bordes agudos de las aletas en el frente y en respaldo de la unidad, que pueden cortarle y causarle lesiones graves.
- 8) Tenga cuidado cuando levanta el acondicionador de aire para instalarlo o remover la unidad. Siempre realice esta operación con dos personas por lo menos.
- 9) Siempre recuerde desconectar el acondicionador de aire antes de darle servicio o moverlo.

# Índice

**PAGINA**

<b>Un Mensaje De Haier</b> .....	
<b>Registro Del Producto</b> .....	35
<b>Precauciones De Seguridad</b> .....	
<b>Advertencias</b> .....	39
<b>La Seguridad Con los Aparatos Eléctricos</b> .....	39
<b>Sugerencias</b> .....	40
<b>Guía de Ahorro de Energía</b> .....	40
<b>Características</b> .....	
<b>Guía De Operación</b> .....	42-43
Sonidos De Operación Normal .....	42
Instrucciones De Operación .....	
<b>Instalaciones</b> .....	44-48
Piezas Que Se Suministran .....	45
Herramientas .....	
Procedimiento De Instalación .....	46-48
<b>Guía para el Cuidado y Limpieza del Aparato</b> .....	49-50
<b>Resolución De Problemas</b> .....	50-51
<b>Informacion De Garantía</b> .....	52

# ADVERTENCIAS



El observar cuidadosamente los mensajes de seguridad es muy importante. Estos mensajes pueden evitar que usted pueda sufrir lesiones graves y aún de muerte. Los símbolos de **Advertencia** le dan la alerta, le urgen a que sea cuidadoso y siempre significan **Peligro**.

Siga siempre estas instrucciones para obrar con seguridad y reducir los riesgos de lesiones o muerte. Las señales de **Advertencia** o **Peligro** preceden los mensajes de seguridad.

## La Seguridad Con Los Aparatos Eléctricos



**Conexión a Tierra:** Este acondicionador de aire debe contar con conexión a tierra. La conexión a tierra reduce el riesgo de choque eléctrico proporcionando un cable de escape para la corriente eléctrica. El cable de alimentación de corriente cuenta con un cable de conexión a tierra y con un enchufe que permite esta conexión. Conecte el enchufe en un receptáculo o tomacorriente apropiadamente instalado y con conexión a tierra.

**ADVERTENCIA:** El uso inapropiado del enchufe con conexión a tierra puede crear el riesgo de choque eléctrico. Llame a un electricista calificado si usted no entiende las instrucciones de conexión a tierra o si usted no está seguro de que el acondicionador de aire ha quedado conectado a tierra en forma apropiada. Si el receptáculo de pared no está conectado a tierra, por favor llame a un electricista para que lo reemplace por uno debidamente conectado a tierra.

**De ninguna manera, y bajo ninguna circunstancia, corte o remueva del enchufe la tercera clavija (de conexión a tierra).**

**Enchufe de**

**Adaptación:** Encarecidamente le aconsejamos que no use enchufes o accesorios de adaptación.



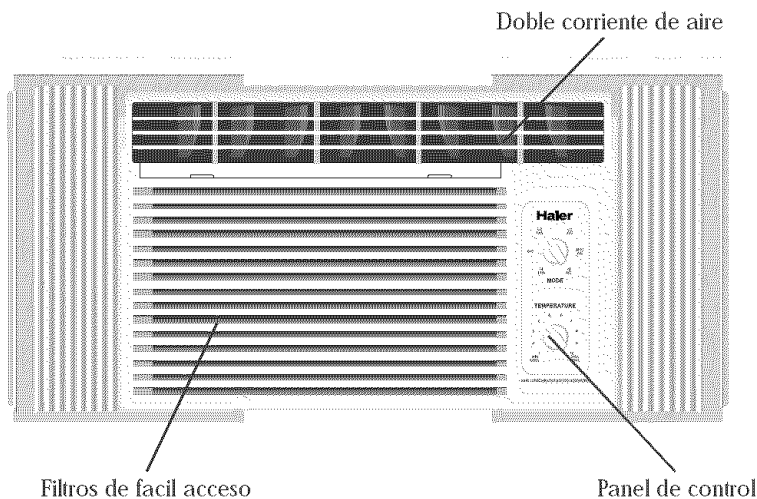
## Sugerencias

- Los acondicionadores de aire están diseñados únicamente para ser usados en ventanas de dos hojas, tipo guillotina.
- Al instalar la unidad, asegúrese de que el acondicionador de aire queda inclinado en un  $1/4^\circ$  hacia el exterior de manera que el agua pueda escurrir hacia el exterior de la casa.
- Instale la unidad en el costado norte de la edificación que es normalmente el lado sombreado. En esta forma mejorará la operación de la unidad.
- ▲ La ventana debe ser suficientemente fuerte para la instalación del aparato. Puede ser necesario usar soportes o apoyos complementarios según la configuración de su ventana. (corchetes y ayudas no incluidas en todos los modelos)
- Mida la ventana antes de proceder con la instalación. Si la ventana es demasiado grande para la unidad, puede ser necesario que un profesional realice la instalación.
- ▲ Use corriente eléctrica de los voltajes y amperajes requeridos para que la unidad funcione en forma eficiente.
- ▲ Llame únicamente a electricistas certificados para cualquier modificación que se necesaria en sus receptáculos o tomacorrientes eléctricos.
- Utilice una línea confiable para la operación de su acondicionador de aire para evitar el posibilidad de una oleada eléctrica.

## Guía De Ahorro De Energía

- Al instalar el acondicionador de aire, asegúrese de sellar toda área que presente la posibilidad de filtración de aire.
- La corriente de aire del acondicionador no debe bloquearse dentro de la habitación con cortinas, persianas o muebles, ni en el exterior con arbustos o matas.
- No use innecesariamente luces eléctricas o aparatos que generen calor.
- Mantenga el escape de aire cerrado cuando el acondicionador de aire esté en su función de enfriamiento.
- Mantenga las persianas o cortinas cerradas en todas las demás ventanas.
- Si está cocinando, use un ventilador de extracción en la cocina para remover el exceso de calor producido.
- Use siempre un acondicionador de aire de capacidad (BTU) apropiada para enfriar la habitación y obtener su eficiencia máxima.

## Características



### 1. Perilla de Temperatura

Esta perilla se utiliza para graduar el nivel de temperatura del aire, cuanto mayor sea el ajuste de temperatura más frío será el aire. Usted podrá seleccionar la temperatura de acuerdo a su nivel de confort. El mínimo nivel es el de aire más cálido y el mayor nivel el más frío.

### 2. Perilla de funciones

Usted podrá controlar la velocidad del ventilador así como la velocidad de enfriamiento. Hay 3 posiciones que usted podrá seleccionar en cuanto al acondicionador: LO el aire circulará a la menor velocidad, MED a velocidad media, y HI al máximo. Las opciones de velocidad de ventilación son 2: HI y LO.

### 3. Doble corriente de aire

Usted podrá controlar la dirección de la corriente de aire. Esta podrá ser dirigida para la derecha o izquierda de acuerdo a la posición que usted dé a la persiana.

### 4. Kit de Instalación

Le permite la instalación del Acondicionador de Aire en la ventana. Pueden necesitarse soportes extras.

# Guía de Operación

## Sonidos de Operación Normal

Los siguientes sonidos normalmente se oyen durante la operación de un acondicionador de aire.

- Clics del termostato. Este sonido se oye cuando el termostato pasa de un ciclo a otro.
- Sonido del movimiento de aire según la velocidad generada por el ventilador.
- Sonidos de agua. Este es un sonido normal en el acondicionador de aire, a medida que actúa también como extractor de humedad. Por lo tanto, se oye el ruido de gotas de agua cuando escurren sobre el condensador.
- A medida que el refrigerante fluye a través de la tubería sellada, se puede oír el ruido de este flujo.
- Ruidos o vibraciones pueden en ocasiones oírse debido a una instalación defectuosa en la pared o en la ventana.
- Un sonido de alta frecuencia puede oírse como producto del funcionamiento de compresor.

## Instrucciones de Operación

(Vea Fig. #1)

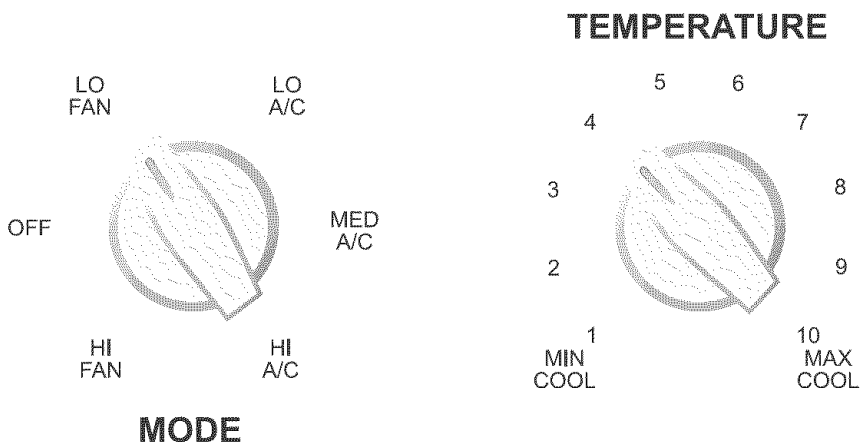








fig. # 1

Luego de instalado el Acondicionador de Aire, enchufe en la toma de corriente adecuada.

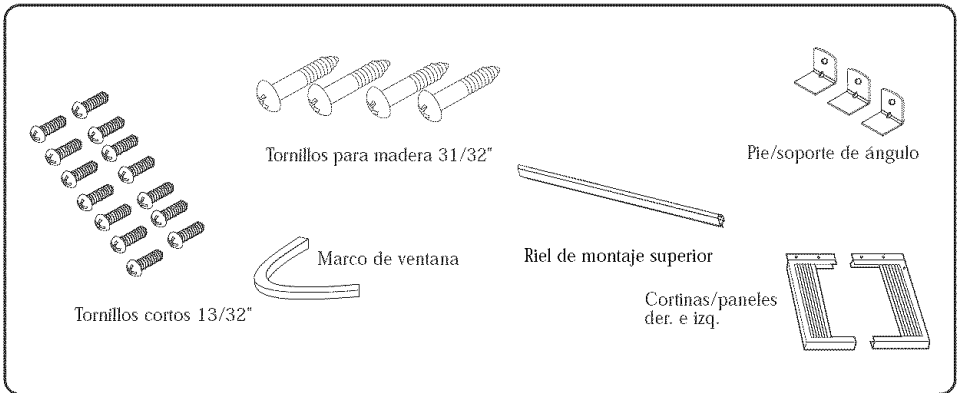
- 1) Seleccione el modo A/C con el selector de funciones.
- 2) Establezca una temperatura media. Esto encenderá su el Acondicionador.
- 3) Usted puede establecer el termostato en 'Min Cool' es la opción de aire más cálido o vitesse 'Max cool' es la opción de mayor frío vitesse.
- 4) Su Acondicionador presenta 2 velocidades de ventilación y 3 velocidades de A/C.
- 5) Deje funcionar el Acondicionador por unas horas antes de ajustar los niveles deseados.
- 6) Recuerde que el compresor de la unidad no funcionará bajo temperaturas menores a 65 grados F.
- 7) Cuando apague el Aire Acondicionado recuerde esperar unos minutos antes de encenderlo nuevamente.
- 8) Si tuviera algún inconveniente en la operatoria normal del microondas consulte la sección de Problemas comunes.

# Instalaciones

Antes de instalar el acondicionador de aire, cerciőrese de que:

- 1) La unidad queda libre de obstrucciones, tanto en el interior de la habitaci3n como afuera, tales como cortinas, muebles, plantas, arbustos, 6rboles y otras estructuras como construcciones, garajes, etc. El acondicionador de aire debe tener una corriente de aire, libre de obstrucciones, que pase a trav9s del condensador para remover el calor.
- 2) La ventana es suficientemente fuerte para resistir el peso del acondicionador de aire. Seg9n la configuraci3n de su ventana, puede ser necesario instalar apoyos o soportes complementarios (corchetes y ayudas no incluidas en todos los modelos).
- 3) El umbral o repisa de la ventana y las canaletas laterales son suficientemente fuertes para resistir el peso del acondicionador de aire.
- 4) La pared es suficientemente fuerte para sostener la unidad. Seg9n las condiciones de la pared, puede ser necesario instalar apoyos o soportes complementarios. (corchetes y ayudas no incluidas en todos los modelos)
- 5) Hay un suministro adecuado de corriente el9ctrica de las especificaciones requeridas cerca del acondicionador de aire.
-  6) NO use adaptadores de enchufe.
-  7) NO use cables de extensi3n.
-  8) NO corte o remueva la clavija de conexi3n de tierra del enchufe.
-  9) NO modifique en ninguna forma el enchufe o el recept6culo el9ctrico de la pared. Si el enchufe no concuerda con el recept6culo el9ctrico, pide a un electricista que haga los cambios necesarios.
-  10) NO conecte la unidad a la corriente el9ctrica antes de instalarla
-  11) NO use el cable de alimentaci3n si se nota gastado o dañado en alguna forma. Evite usarlo si tiene grietas o muestra daños de desgaste a lo largo del cable, en el enchufe o en la conexi3n.
- 12) No instale en ninguna cabina o funda existente que no tengan salidas de aire laterales y superiores.

## Partes



## Herramientas

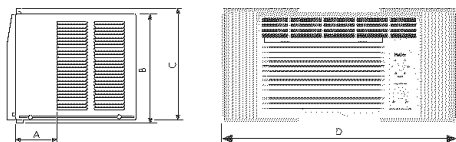
Usted necesitará de las siguientes herramientas para la instalación del Acondicionador de Aire.

- \* Tijeras
- \* Destornillador Phillips
- \* Destornillador común
- \* Tenaza
- \* Llave inglesa
- \* Taladro y broca
- \* Cinta de medición
- \* Guantes
- \* Nivel
- \* Toma de corriente

## Instalación del Acondicionar en la ventana

Requerimientos para realizar la instalación

El Acondicionador de aire está diseñado para la instalación en tipos ventanas de doble marco o simple. Cada unidad viene con un kit de instalación que consta de soportes ajustables para ocupar completamente los espacios entre los laterales de la unidad y el borde de la ventana. El cuadro a continuación muestra las dimensiones de los Acondicionadores con o sin el kit de instalación. Mida la amplitud de su ventana y compare con los valores del cuadro para asegurarse de estar entre la máxima y mínima amplitud de ventana requerida.



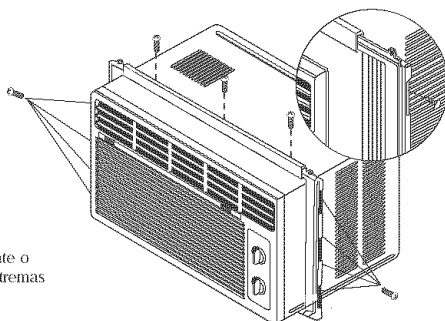
modelo	HWF05XC3
Dimensión	
A (pulgadas)	$5\frac{3}{25}''$
B (pulgadas)	$12\frac{3}{5}''$
C (pulgadas)	$13\frac{2}{5}''$
D (pulgadas) Max	$33\frac{1}{5}''$
D (pulgadas) Min	$22\frac{1}{2}''$
Altura	$12\frac{7}{16}''$
Amplitud	$18\frac{9}{16}''$
Profundidad	$13\frac{3}{8}''$

### I Ensamble de las cortinas y el rail superior

Instale el rail superior utilizando cuatro 3 tornillos cortos 13/32" .

Inserte los paneles laterales e los rieles superiores e inferiores del Acondicionador de aire. Ajuste con los 8 tornillos cortos 13/32" .

Precaución!: Nunca exponga el frente o parrilla de plástico a extremas temperaturas.



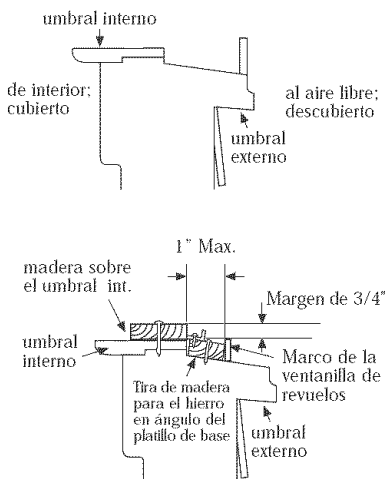
## 2 Prepare la ventana para la instalación

1. Esta unidad está diseñada para la instalación en ventanas de paneles dobles con una amplitud de 22" hasta 36". La hoja de la ventana debe abrirse lo suficientemente de manera de lograr un espacio de aproximadamente 14' entre el marco inferior y el taburete de la ventana.

2. Si el soporte de la contraventana interfiere para la instalación, coloque y atornille una madera (no incluido) sobre el umbral interno de la ventana y a lo largo del mismo. La madera debe ser lo suficientemente fuerte como para lograr levantar la altura del umbral de la ventana y que la instalación de la unidad no se vea interferida por el soporte.

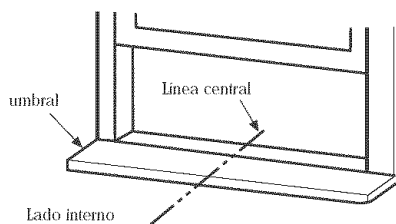
3. Instale una segunda madera de aproximadamente 6" x 3/2" de ancho en el centro de del umbral externo y el extremo trasero del umbral interno. Esto levantará el ángulo de la base.

4. Si la distancia entre el soporte de la contraventana y la madera que se encuentra sobre el umbral interno es mayor a 1" no es necesario colocar la segunda madera.



## 3 Ubicación del Acondicionador en la ventana

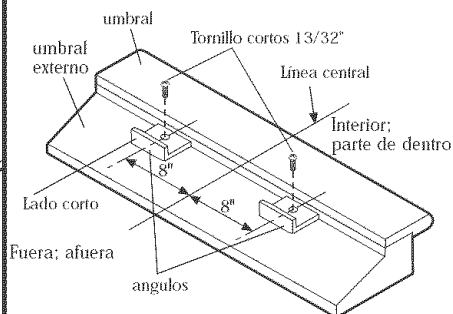
Abra la ventana y marque una línea central en el umbral interno de la ventana.



## 4 Ajuste los pie de ángulos

Instale los pies detrás del umbral interno de la forma en que muestra la figura. Utilice los dos tornillos cortos 13/32" provistos.

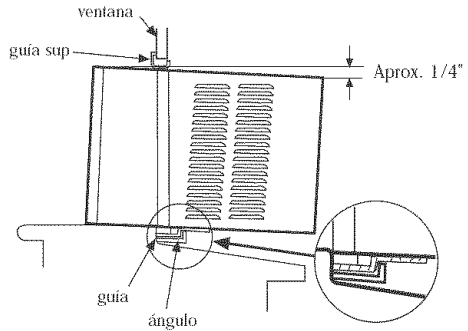
Estos soportes de ángulos ayudana mantener firme y segura la unidad en su lugar.





## 5 Instale el Acondicionador en la ventana

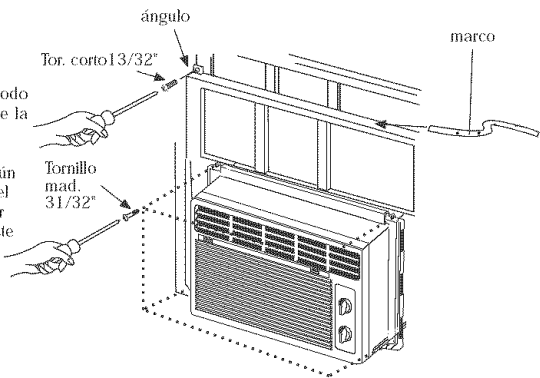
Cuidadosamente levante el aire acondicionado y deslicelo sobre la ventana. Asegúrese que la guía en el inferior de la unidad caiga dentro de los soportes o pies y trabaje correctamente. Mientras acomoda el Acondicionador en la ventana cuidadosamente baje el marco de la ventana hasta chocar con el Acondicionador



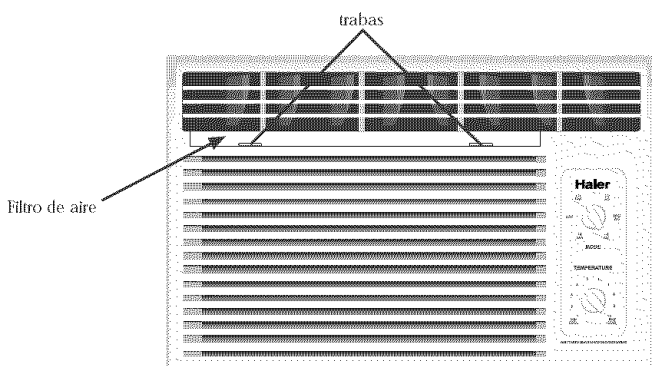
## 6 Instalación y ajuste del marco

Extienda las cortinas/paneles laterales de modo de cubrir todo el espacio a ambos lados de la unidad y ajuste utilizando 4 tornillos para madera 31/32".

Corte el marco hasta ahora no utilizado según la amplitud de la ventana. Colóquelo entre el marco de la ventana y el vidrio para prevenir que entren corrientes de aire e insectos. Ajuste el ángulo izquierdo utilizando un tornillos corto 13/32".



## Guía de Limpieza y Cuidados



\*Siempre desenchufe el Acondicionador de Aire antes de la limpieza.

\*Los filtros de aire deben limpiarse por lo menos una vez al mes para optimizar el funcionamiento de la unidad. El filtro puede retirarse destrabando las presillas a ambos lados del mismo. El filtro debe ser lavado o aspirado. Reitre el exceso de agua del mismo sacudiendo suavemente. Esto removerá las partículas atrapadas en el mismo. Luego de la limpieza coloque nuevamente el filtro.

NO opere la unidad si el filtro no estuviese en su lugar.

\*Para limpiar el panel frontal del Acondicionador no utilice químicos abrasivos, amoníacos, cloro, detergentes concentrados, solventes o esponjitas de metal.

Algunos de estos productos pueden dañar o decolorar su Acondicionador.

\*Siempre utilice un paño suave humedecido con agua o solución de agua y jabón para repasar el frente de la unidad.

Seque con un paño seco.

\*Si quisiera retirar el Acondicionador de aire (por fin de temporada) retire el mismo siguiendo los pasos de instalación invertidos. Luego guarde en la caja original. Si usted prefiere no sacar el Acondicionador de la ventana entonces cubra el exterior del mismo con un cobertor o funda.

\*Antes de guardar el acondicionador asegúrese de que no haya quedado ningun rastro de agua ya que puede causar daños en las conexiones eléctricas.

## Resolución de Problemas

### **Si el acondicionador de aire no funciona:**

- Verifique que la unidad está enchufada. El enchufe puede estar suelto.
- Verifique si la unidad está en modalidad "Off" - apagada.
- El control del ventilador puede estar en posición Off - apagado.

### **El aire que sale del acondicionador de aire está caliente.**

- La graduación A/C puede estar baja y es necesario aumentarla.
- La temperatura exterior puede estar por debajo de 65°F (18°C).  
El compresor no opera si la temperatura está por debajo de 65°F (18°C).

### **Se forma hielo en el serpentín de enfriamiento.**

- La temperatura exterior está demasiado baja. Ponga a funcionar únicamente el ventilador para derretir el hielo.
- Baje la graduación de temperatura. La graduación de temperatura se ha puesto a un nivel demasiado frío.  
La capacidad de la unidad (BTU) puede ser demasiado alta para las condiciones de la habitación.

**El acondicionador de aire funciona pero la habitación no se enfría.**

- Puede haber artefactos en la habitación que producen calor. Use un ventilador de extracción para remover el exceso de calor.
- El escape de aire puede estar abierto. Este escape debe cerrarse para obtener el enfriamiento óptimo.
- Cambie la dirección del flujo de aire y remueva obstáculos que estén en su trayectoria.
- Todas las puertas y ventanas deben estar cerradas de manera que el aire frío no se escape de la habitación.
- Los filtros de aire pueden necesitar limpieza.
- La capacidad de la unidad en BTU puede ser muy baja para las condiciones de la habitación.
- En días extremadamente cálidos y húmedos, los acondicionadores de aire pueden demorar un poco para principiar a enfriar.

**El acondicionador de aire hace ruido cuando enfría:**

Usted puede oír ruidos de movimiento de aire, agua, el arranque y parada del compresor y vibraciones en la ventana.

Lea la Guía de Operación, - Ruidos de Operación Normal.

(Ver pagina 42)

**Hay agua en el gabinete del acondicionador de aire:**

Esto es normal, pues el acondicionador de aire no solamente enfría sino que también extrae la humedad del aire. Si encuentra que hay agua escurriendo dentro de la habitación, revise la instalación de la unidad. La unidad puede requerir una reinstalación.

(Ver pagina 48)

## Garantía Limitada

**Esta garantía cubre todos los defectos en mano de obra o materiales para:**

1. Las partes mecánicas y eléctricas que integran este producto Haier (incluyendo los costos de mano de obra), por un período de 12 meses a partir de la fecha de compra de la unidad. (En casos de uso comercial o de alquiler, la garantía es por 90 días).

2. El sistema sellado y el compresor incluido en este producto Haier están garantizados por un período de 5 años a partir de la fecha de compra de la unidad (excluyendo los costos de mano de obra después de un período inicial de 12 meses). En casos de uso comercial o de alquiler, la garantía limitada adicional del compresor es por un año y nueve meses (excluyendo los costos de mano de obra después de un período inicial de 90 días).

**Usted debe guardar y deberá presentar su recibo original de compra como prueba de la fecha de adquisición.**

### ¿Quiénes están cubiertos?

Los compradores originales, al por menor, de este producto Haier.

### ¿Qué deberá hacerse?

Haier reparará o reemplazará, en su domicilio, cualquier parte eléctrica, mecánica o el compresor que resulten defectuosos en uso normal doméstico, por un período de 12 meses. Haier reparará o reemplazará (excluyendo los costos de mano de obra) el sistema sellado y el compresor (las partes únicamente) por un período adicional de 4 años.

### ¿Cómo puede usted obtener servicio?

1. Póngase en contacto con el Centro de Servicio Autorizado de Haier. Para obtener el nombre del Centro de Servicio

más cercano, llame a Haier al (877) 337-3639.

2. Todo servicio debe ser realizado por un Centro de Servicio de Haier debidamente autorizado.

### ESTA GARANTÍA CUBRE UNIDADES EN EL CONTINENTE DE LOS ESTADOS UNIDOS CANADA Y EN PUERTO RICO Y

### ESTA GARANTÍA NO CUBRE

- Daños por instalación inapropiada.
- Daños en transporte
- Daños debido a mal uso, abuso, accidente, alteración, falta de cuidado o mantenimiento apropiados
- Daños por trabajos realizados por personas que no sean un distribuidor o centro de servicio autorizados
- Adornos de vidrio o bombillos
- Mano de obra, servicio, transporte y costos de transporte para la remoción de partes defectuosas e instalación del reemplazo, después de transcurrido el período inicial de 12 meses

ESTA GARANTÍA LIMITADA SE DA EN LUGAR DE CUALQUIER OTRA GARANTÍA EXPRESA O IMPLÍCITA, INCLUYENDO LAS GARANTÍAS DE COMERCIALIZACIÓN Y APTITUD PARA UN PROPOSITO EN PARTICULAR.

El remedio que resulta de esta garantía es exclusivo y se otorga en lugar de todo otro remedio. Esta garantía no cubre daños incidentales o con secuenciales. Algunos estados no permiten la exclusión de daños incidentales o consecuenciales, de manera que esta limitación puede ser no aplicable en su caso. Algunos estados no permiten limitaciones en cuanto a la duración de una garantía implícita, de manera que esta limitación puede ser no aplicable en su caso. Esta garantía le otorga derechos legales específicos y usted puede tener otros derechos, los que varían de estado a estado.

# **IMPORTANT**

## **Do Not Return This Product To The Store**

If you have a problem with this product, please contact the "Haier Customer Satisfaction Center" at 1-877-337-3639.

DATED PROOF OF PURCHASE REQUIRED FOR WARRANTY SERVICE

# **IMPORTANT**

## **Ne pas Réexpédier ce Produit au Magasin**

Pour tout problème concernant ce produit, veuillez contacter le service des consommateurs 'Haier Customer Satisfaction Center' au 1-877-337-3639.  
UNE PREUVE D'ACHAT DATEE EST REQUISE POUR BENEFICIER DE LA GARANTIE.

# **IMPORTANTE**

## **No regrese este producto a la tienda**

Si tiene algún problema con este producto, por favor contacte el "Centro de Servicio al Consumidor de Haier" al 1-877-337-3639 (Válido solo en E.U.A).

NECESITA UNA PRUEBA DE COMPRA FECHADA PARA EL SERVICIO DE LA GARANTIA

FOR SPECIFIC ELECTRICAL RATING,  
REFER TO ELECTRICAL RATING NAMEPLATE ON YOUR UNIT

POUR TENSION ÉLECTRIQUE ET RÉGIME NOMINAL,  
REPORTEZ-VOUS À LA PLAQUE SIGNALÉTIQUE DE L'APPAREIL

EL REGIMEN ELECTRICO ESPECIFICO DEL APARATO SE ENCUENTRA EN LA  
PLACA DE REGIMEN ELECTRICO DE LA UNIDAD.

Made in China

# **Haier<sup>®</sup>**

*What The World Comes Home To™*

Haier America  
New York, NY 10018

Printed in China