

GE Monogram<sup>®</sup>

Installation

Instructions

36" Digital  
Radiant Cooktop

*Model*

*ZEU365ABG*

*ZEU36WMRABG*

Before you begin—Read these instructions completely and carefully.

**IMPORTANT:** Save these instructions for local inspector’s use.

**IMPORTANT: OBSERVE ALL GOVERNING CODES AND ORDINANCES.**

**NOTE TO INSTALLER:** Be sure to leave these instructions with the Consumer.

**NOTE TO CONSUMER:** Keep these instructions with your Use and Care Book for future reference.

**WARNING** This appliance must be properly grounded. See “Electrical Supply”, page 4.

If you have questions concerning the installation of this product, call the GE Answer Center® Consumer Information Service at 800.626.2000, 24 hours a day, 7 days a week.

Proper installation is the responsibility of the installer. Product failure due to improper installation is not covered under the GE Appliance Warranty. See the Use & Care Guide for warranty information.

If you received a damaged cooktop, you should contact your dealer.

**For Monogram local service in your area, 1-800-444-1845.**  
**For Monogram Service in Canada 1-888-880-3030.**  
**For Monogram Parts and Accessories, call 1-800-626-2002.**

**CAUTION:**

- This cooktop should be installed by a qualified installer or service technician.
- Do not store items of interest to children in cabinets above the cooktop. They could be seriously burned climbing on the cooktop to reach them.
- Never use your cooktop for warming or heating the room. Prolonged use of the cooktop without adequate ventilation can be hazardous.
- The cooktop should be easy to reach and lighted by natural light during the day.

- Always disconnect the electrical service to the unit before repairing or servicing the cooktop. Disconnect the fuse or circuit breaker. Failure to do so could result in a dangerous or fatal shock. Know where your main disconnect switch is located.

Check local building codes for the proper method of cooktop installation. Local codes vary. Installation, electrical connections and grounding must comply with applicable codes. In the absence of local codes, the cooktop should be installed in accordance with National Electrical Code ANSI/NFPA 70-1990.

*Contents*

**Design Information**

Models Available ..... 3  
Dimensions and Clearances ..... 3  
Advance Planning ..... 3

**Installation Preparation**

Tools & Materials Required ..... 4  
Electrical Location ..... 4  
Base Cabinet Heat Clearances ..... 4  
Step 1: Cut the Opening ..... 5

**Installation**

Step 2: Install Cooktop ..... 6  
Step 3: Install Hold-down Brackets ..... 6  
Step 4: Connect Electrical ..... 7

## Design Information

### Digital Radiant Cooktop

### Models Available

**ZEU365ABG**

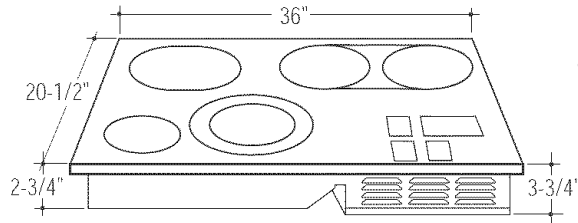
Digital Radiant Cooktop

**ZEU36WMRABG**

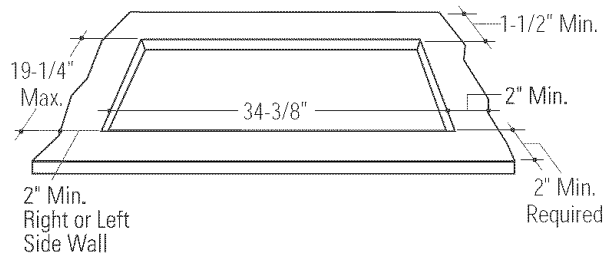
Digital Radiant Cooktop with warming burner

These Monogram cooktops offer a smooth glass surface with bridgeburner to form an elongated heating area. A beveled glass edge provides a trimless appearance.

### Dimensions & Clearances



- The underside (recessed) dimensions are:
  - 34-1/8" wide (including spacers),
  - 3-5/8" high,
  - 19" front to back (including spacers).



### Advance Planning

This cooktop has a control system that is fan cooled during heavy usage conditions. This requires a minimum of 15" free-space below the cooktop bottom to an internal enclosure; such as a full depth cabinet shelf; to provide this air circulation.

- Do not block vents on the underside and at the right front and right sides.
- Do not block exhaust fan outlet located on the bottom of the cooktop.

See "Base Cabinet Heat Clearances" for fan and vent locations.

- Use this cooktop with any exhaust hood; no special overhead ventilation is required.
- Refer to "Dimensions and Clearances" for appropriate placement and clearances when planning installation.
- Avoid placing cabinetry directly above the cooktop when possible.

- If cabinetry is used above the cooking surface:
  - Use cabinets no more than 13" deep.
  - Maintain 30" minimum clearance between cooktop and unprotected cabinets directly above cooktop.
  - Maintain 24" minimum clearance when bottom of wood or metal cabinet is protected by not less than 1/4" thick flame-retardant millboard covered with not less than no. 28 MSG sheet steel, 0.015 inch thick stainless steel, 0.024 inch thick aluminum, or 0.020 inch thick copper.
  - A 36" wide exhaust hood that projects at least 5" beyond the front of the upper cabinets can also reduce risks.
- Working areas adjacent to the cooktop should have 18" minimum clearance between countertop and cabinet bottom.

# Installation Preparation


## Digital Radiant Cooktop

### Tools & Materials Required

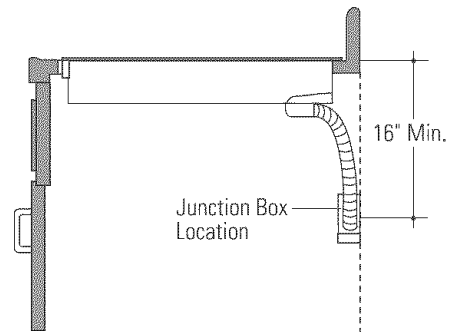
- Drill and appropriate bits
- Electric or hand drill
- Pencil
- Ruler
- Carpenters square
- Hand or saber saw
- Flat-blade screwdriver
- Wire strippers
- 120/240 volt or 120/208 volt junction box.
- Electrical cable, 3-conductor or 4 conductor wire, as required by local codes.

**Note:** Do not use an extension cord with this appliance.

### Electrical Location

**WARNING**  **Warning, for Personal Safety:** Remove house fuse or open circuit breaker before beginning installation.

Do not use an extension cord or adapter plug with this appliance. Follow National electrical codes or prevailing local codes and ordinances.




- Connect house wiring to junction box in accordance with local codes.
- Power is located on the bottom at the center rear.

This cooktop operates on 240 or 208 volts, 60 Hz, power supply and requires an individual, properly-grounded branch circuit, protected by 40 amp fuse or circuit breaker.

Install the junction box within reach of the power cable:

- On the rear wall of the cabinet opening.
- At least 16" below the countertop.

**WARNING**  **Warning:** The improper connection of the equipment-grounding conductor can result in a risk of electric shock. Check with a qualified electrician or service representative if you are in doubt whether the appliance is properly grounded.

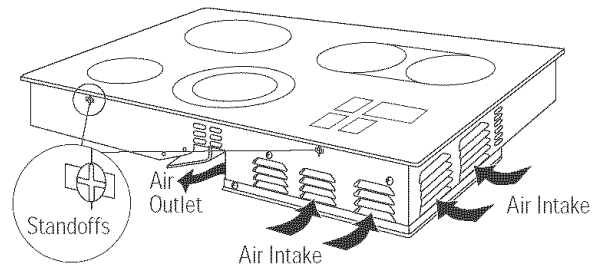
### Base Cabinet Heat Clearances

#### IMPORTANT: Control Housing Air Flow Provision

The control system is fan cooled during usage. Installation into a cabinet must not block the cooling air flow. Review illustrations carefully before cutting the countertop to insure that adequate space for the cooktop and clearances for air space is available.

- Standoffs are positioned along the sides of the cooktop. These standoffs provide a 1/4" air gap between the countertop/cabinet and the cooktop chassis.

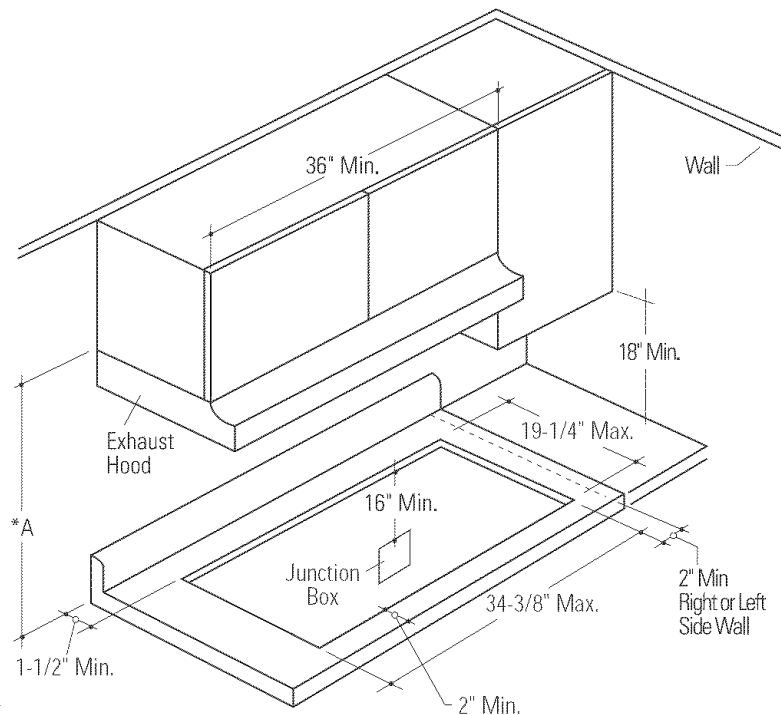
DO NOT ATTEMPT TO REMOVE THE STANDOFFS.



- Maintain 15" min. clearance below cooktop bottom to any horizontal surface such as a full depth cabinet shelf.

# Step 1

## Cut the Opening



**Caution:** Wall coverings, countertops and cabinets should withstand 200°F heat generated by the cooktop.

\*A=30 inches minimum clearance between the top of the cooking surface and the bottom of an unprotected wood or metal cabinet or A=24 inches minimum when bottom of wood or metal cabinet is protected by not less than 1/4 inch thick flame-retardant millboard covered with not less than no. 28 MSG sheet steel, 0.015 inch thick stainless steel, 0.024 inch thick aluminum, or 0.020 inch thick copper.

We recommend that this cooktop be installed in 42" or larger base cabinets. If the cooktop is installed into a 36" cabinet base, modifications may be required. A 36" cabinet base must allow for installation of hold-down clips and air gaps at the sides. The side walls may need to be cut away to provide this space.

- Countertop cutout for this cooktop must be:
  - 34-3/8" wide.
  - 19-1/4" deep.
- Allow clearances:
  - 1-1/2" min. between rear of cutout and rear backsplash or wall.
  - 2" min. from cutout to front edge of countertop.
  - 2" min. from cutout to left and right side adjacent walls.
- Install the junction box within reach of the power cable, at least 16" below the countertop.
- This cooktop is designed to hang from the countertop from its front, back and side flanges.

- Use a level to insure that countertop is level and flat. If the countertop bows more than 1/16", additional cooktop support will be required.
- For additional cooktop support, add braces to the inside of the opening whenever possible. Braces can be added along the rear and on the sides of the opening. Be sure that bracing does not block air flow to vents.
- This cooktop requires an additional 15" free space below the cooktop bottom to full-depth horizontal shelves for unrestricted air flow to the control housing.

**Note:** Some countertops made from solid surface materials, such as Corian® may require special cutout preparation (such as radius corners). Always consult the countertop manufacturer for specific instructions.

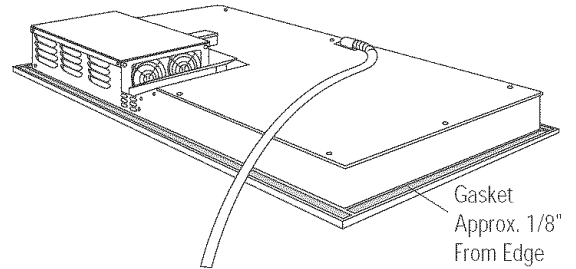
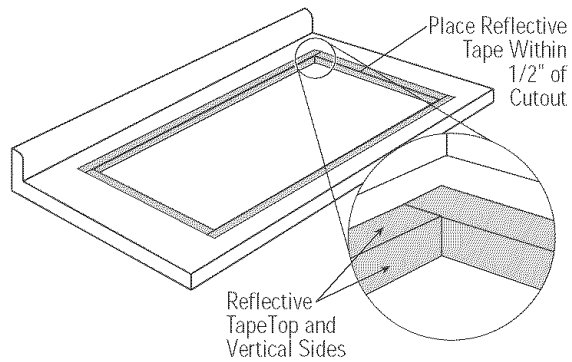
Measure carefully using a carpenter's square before cutting the countertop.

- Draw a centerline and measure 17-3/16" to each side. Make sure sides of the opening are parallel.
- Cut along the lines to complete the entire cutout. Check again to be sure surface is flat. Install supports if necessary.

## Installation

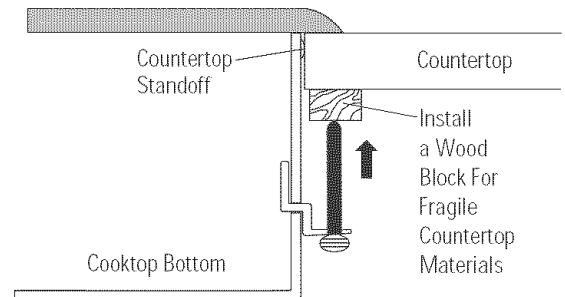
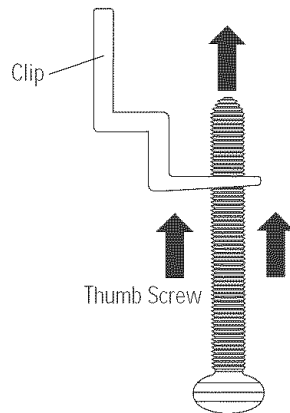
### Digital Radiant Cooktop

## Step 2 Install Cooktop



- Smooth rough edges of the cutout. Install reflective tape (supplied) to the opening, along the inside and 3/8" to 1/2" of the opening edge.
- Foam gasket (supplied) is on the underside of the cooktop flange all the way around, approximately 1/8" from cooktop flange edge.
- Lower the cooktop into the countertop opening.
- Make sure the cooktop is evenly seated and supported.

## Step 3 Install Hold-down Brackets

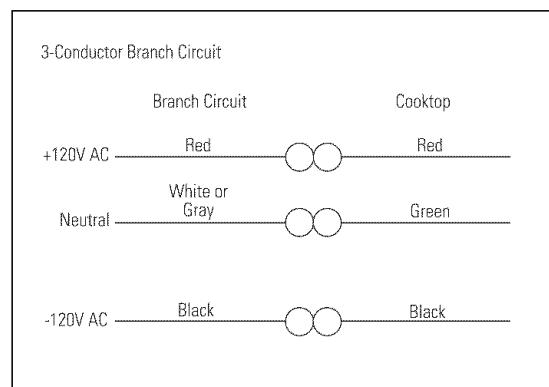
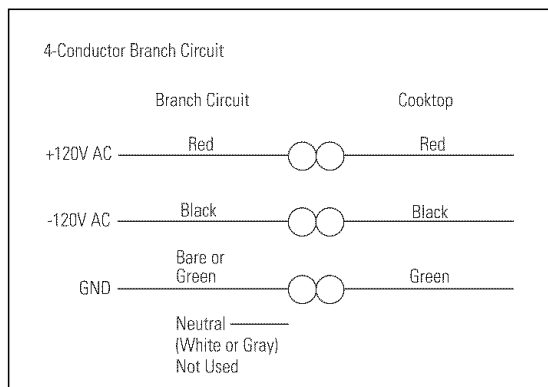


- 2 hold-down clips and screws are supplied. Use both clips to secure the cooktop to the countertop.
- Thread screw into clip as shown.
- Insert clip into the upper or lower slot in the cooktop side, depending upon countertop thickness.
  - Secure clips on left and right sides or front and back sides.
  - Hand tighten screws against countertop.

**CAUTION** Over tightening may cause stress and could cause the glass top to break.

If countertop material is fragile, use a wood block between countertop and screw.

### Step 4 Connect Electrical



#### Verify that power is turned off at the source

Connect cooktop flexible power cable to junction box:

- Use a proper-sized flexible conduit connector, securely attached.
- Do not shorten power cable; it should hang in a natural loop when installed.

When connecting to a 4-conductor branch circuit:

- Connect red lead to branch circuit red lead.
- Connect cooktop black lead to branch circuit black lead.
- Connect cooktop ground conductor (green) to branch circuit ground conductor (bare or green).

When connecting to a 3-conductor branch circuit:

- Connect cooktop red lead to branch circuit red lead.
- Connect cooktop black lead to branch circuit black lead.
- Connect cooktop bare copper or green conductor to branch circuit ground lead (white or gray).



If house wiring is not 2-wire with a ground wire, a ground must be provided by the installer. When house wiring is aluminum, be sure to use U.L. approved anti-oxidant compound and aluminum-to-copper connectors.

NOTE: While performing installations described in this book, safety glasses or goggles should be worn.

*To obtain specific information concerning any Monogram product or service, call GE Answer Center® consumer information service at 800.626.2000—any time, day or night.*

*For Monogram local service in your area, call 1-800-444-1845.*

NOTE: Product improvement is a continuing endeavor at General Electric. Therefore, materials, appearance and specifications are subject to change without notice.



General Electric Company  
Louisville, KY 40225

Pub. No. 49-8900  
Dwg. No. I64D3333P134  
© 1998 GE Appliances  
(N.D. 963) 7/98  
A-974-0218-000