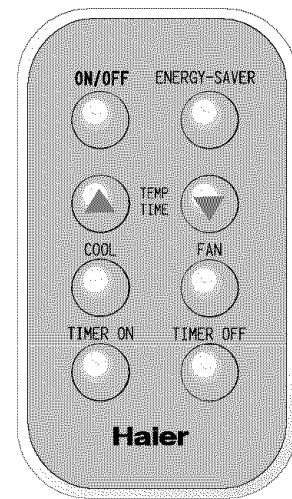
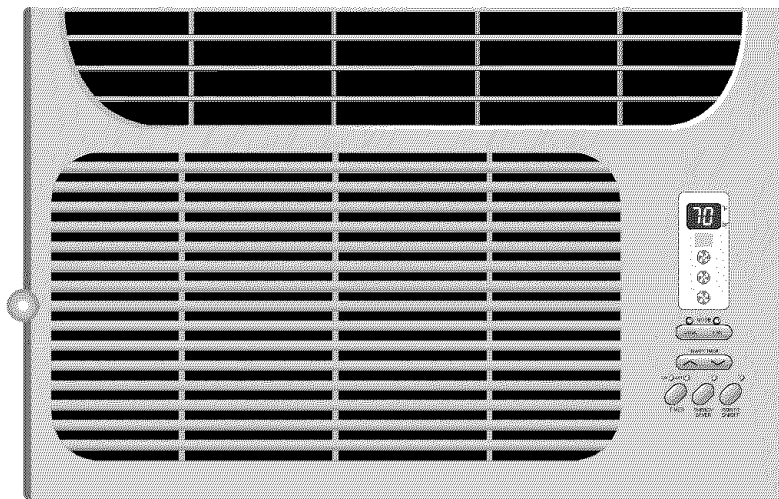


# Haier®

What The World Comes Home To™

## Room Air Conditioner Electronic Control



# ***HWR06XC3-T***

# ***User Manual***

*Read instructions before installing.  
Call 1-877-337-3639 for questions on parts and services*

# A Word From Haier

Thank You for buying a dependable, energy saving and easy to operate HAIER room air conditioner. This manual contains useful information for you to maintain, operate, install and safely use your room air conditioner. Your air conditioner cleans, cools and dehumidifies the air in your room to provide you with the ultimate level of comfort.

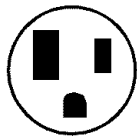
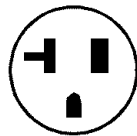
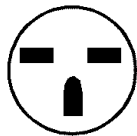
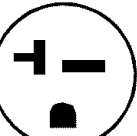

Please read instructions carefully before using the product. Also, do not forget to fill out and mail the **Product Registration Card**.

# Product Registration

## Record Your Model and Serial Number.

For all your service calls during the warranty period the following information will be needed. Attach the sales receipt to this guide and keep for future reference. This information can be obtained from the serial plate, which is on your air conditioner. This is either on the cabinet (side or back) or you may have to remove the front grille to locate it.

Model Number: .....  
 Serial Number: .....  
 Date of Purchase: .....  
 Dealer's Name: .....  
 Dealer's Address: .....  
 Dealer's Phone Number: .....

TABLE					
RECEPTACLE AND FUSE TYPES					
RATED VOLTS	125/60		250/60		
AMPS	15	20	15	20	30
WALL OUTLET					
FUSE SIZE	15	20*	15	20*	30
TIME DELAY FUSE (or circuit breaker)	Plug	Plug	Plug		

# SAFETY PRECAUTIONS

**WARNING:** *Following these basic precautions will reduce the risk of fire, electrical shock, injury or death when using your air conditioner.*



- 1) Air conditioner must be connected to proper electrical outlet with the correct electrical supply. *(see table)*
- 2) Proper grounding must be ensured to reduce the risk of shock and fire. **DO NOT CUT OR REMOVE THE GROUNDING PRONG.** If you do not have a three-prong electric receptacle outlet in the wall, have a certified electrician install the proper receptacle. The wall receptacle **MUST** be properly grounded.
- 3) Do not use if power cord is frayed or otherwise damaged. Also avoid using it if there are cracks or abrasion damage along the length, plug or connector.
- 4) **DO NOT USE AN ADAPTER OR AN EXTENSION CORD.**
- 5) When installing your air conditioner in a window, make sure the window is strong enough to hold the weight of the air conditioner. You also want to secure and correctly install your air conditioner properly to prevent it from falling. Extra brackets and or support may be required depending on your window.
- 6) Do not block airflow inside or outside the air conditioner with blinds, drapes, protective covers, shrubs or bushes.
- 7) Be careful of sharp edges on the front and rear fins of the unit that could cut and cause serious injury.
- 8) Be careful when lifting the air conditioner to install or remove the unit. Always use two or more people for this.
- 9) Always unplug the air conditioner before servicing it or moving it.

# Table Of Contents

	<b>PAGE</b>
<b>A Word From Haier</b> .....	<b>1</b>
<b>Product Registration</b> .....	<b>1</b>
<b>Safety Precautions</b> .....	<b>2</b>
<b>Warnings</b> .....	<b>4</b>
<b>Electrical Safety</b> .....	<b>4</b>
<b>Tips</b> .....	<b>5</b>
<b>Energy Saving Guide</b> .....	<b>5</b>
<b>Features</b> .....	<b>6-7</b>
<b>Operating Guide</b> .....	<b>8-13</b>
Normal Operating Sounds .....	<b>8</b>
Operating Instructions .....	<b>8-13</b>
<b>Installations</b> .....	<b>14-18</b>
Parts .....	<b>15</b>
Tools .....	<b>15</b>
Installing Unit into A Window .....	<b>16-18</b>
<b>Clean and Care Guide</b> .....	<b>19-20</b>
<b>Troubleshooting</b> .....	<b>20-21</b>
<b>Warranty Information</b> .....	<b>22</b>

# WARNINGS



Following the safety messages is very important.

These messages can save you from being injured or killed.

**Warning** symbols alert you to be careful and means **Danger**. Always follow instructions to be safe and reduce chances of injury or death.

**Warning** and **Danger** signs will precede safety messages.

## Electrical Safety



**Grounding:** This room air conditioner must be grounded. Grounding reduces the risk of electric shock by providing an escape wire for the electric current. The power cord has a grounding wire with a grounding plug. Plug it into an outlet that is properly installed and grounded.

**WARNING:** Improper use of the grounding plug can result in a risk of electric shock. Call a qualified electrician if you don't understand the grounding instructions or if you are not sure if the air conditioner is properly grounded. If the wall electrical outlet is not grounded, please contact an electrician to have it replaced with a properly grounded outlet.

**Do not, under any circumstances, cut or remove the third (ground) prong from the power cord.**

**Adapter Plug:** We strongly advise against using an adapter plug.

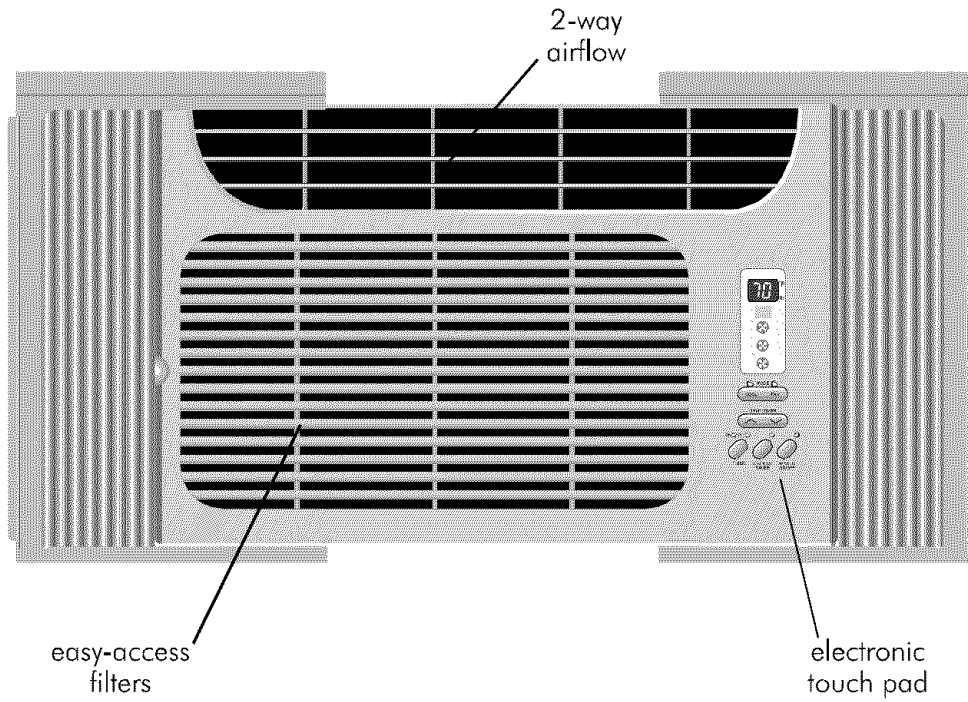
## Tips

- This Air Conditioner is designed for use in a double hung window.
- While installing unit be sure to tilt air conditioner  $\frac{1}{4}$  inch outward to have the water drip outside the house.
- ⚠ • Install the unit on the north side as normally that is the shaded side. This will enhance the operation of your unit.
- Window has to be strong for installation. Extra brackets and or support may be required depending on your window.
- Measure the window before installing, if the window is too big for the unit you may require professional installation.
- ⚠ • Use correct electric voltage and proper ampere for the unit to run effectively.
- ⚠ • Only let a certified electrician do any modifications to your electrical outlet.

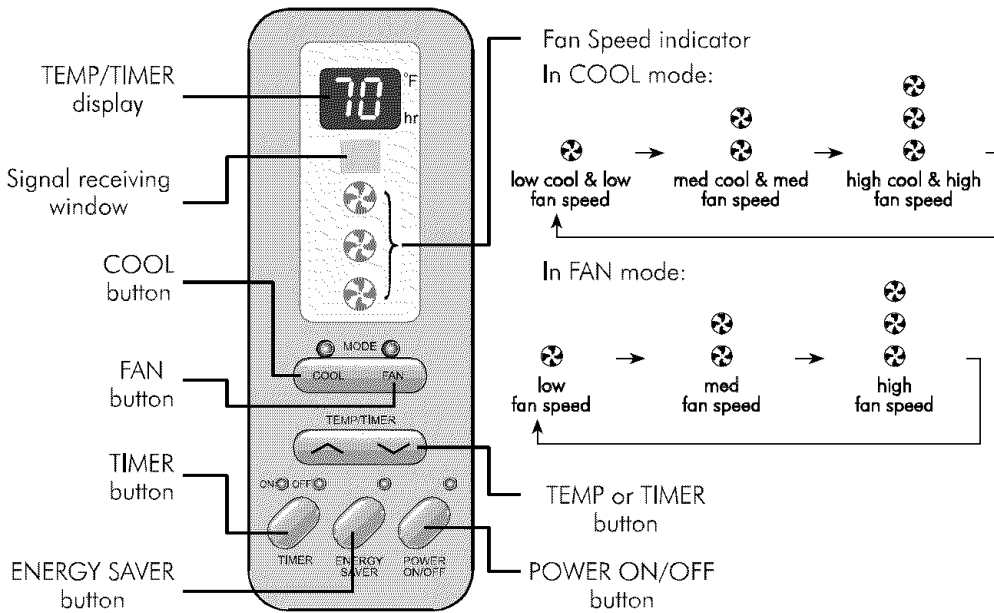
## Energy Saving Guide

- When installing your air conditioner make sure to seal all areas where there is a possibility of air leakage.
- Airflow should not be blocked inside either by curtains, drapes or furniture or outside by shrubs or bushes.
- Do not needlessly use an electrical light or other appliances that produce heat.
- Keep the vent closed on the air conditioner when in the cooling function.
- Keep the blinds and the drapes drawn on all the other windows.
- While cooking use an exhaust fan in the kitchen to remove the excess heat produced.
- Always use the correct BTU size air conditioner to cool the room to attain optimum efficiency.

# Features



## Electronic touch pad

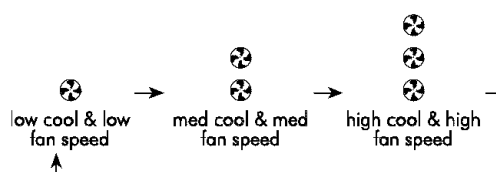


### 1. Thermostat

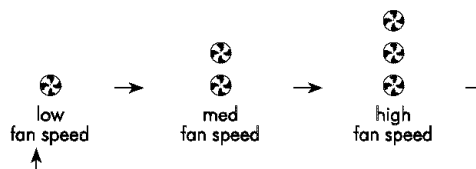
This allows you to adjust the temperature of the air. The lower the setting the cooler the air temperature. With this you can set the temperature to your desired comfort level. You can set the temperature between 61° F and 86° F

### 2. fan Speed

You have 3 levels of Fan Speed to set at your desired comfort level. HIGH, MED and LOW. In COOL mode: press COOL button, for each press, COOL speed will changes as follows:



In FAN mode: press FAN button, for each press, FAN speed will changes as follows:



### 3. Function.

Your air conditioner has 2 Functions.

#### a) COOL

Here the air conditioner will operate the compressor and the desired fan speed set to give you chilled cold air for your comfort.

#### b) Fan

You can run the fan only on not so hot days. The fan can be set to run at 3 speeds (HIGH fan, MED fan and LOW fan.) as desired by you.

### 4. Energy Saver

When turned "ON" the fan will shut off 3 minutes after the compressor cycle off. This will not only save you electrical and energy costs but also shuts off the unnecessary noise of the fan motor running. In the "OFF" position the fan will not shut off when the compressor cycles off. The fan will keep running at the set level.

### 5. Timer

Your air conditioner can be set to go on or off at your desire. This can be done up to 24 hours in advance.

### 6. 2 Way Air Flow

These air directional louvers let you control the direction of the airflow in your required direction. The airflow can be directed right side – left side.

### 7. Window Install Kit

Enables you to install the air conditioner in a double hung window. Extra brackets or support may be needed depending on your window.

### 8. Remote Control

This full functional wireless remote allows you to operate your air conditioner from a distance. You need not have to get up to change the settings, the functions or to turn the unit on or off.



# Operating Guide

## Normal Operating Sounds

The following sounds are normally heard during the operation of an air conditioner.

- Cool airflow movement as dictated by the set fan speed.
- Water sounds. This is normal as your air conditioner acts as a dehumidifier also. Thus you will hear water sounds from water drops falling on the condenser.
- As the refrigerant flows through the inner sealed tubing a rushing noise may be heard.
- Rattling or vibrating noises may be heard due to poor wall or window installation.
- High pitch compressor sound may be heard.

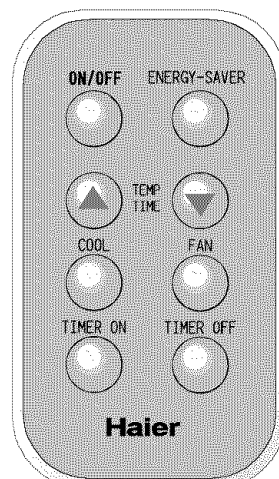
## Operating Instructions

Following are the operating instructions of your electronic air conditioner.

After installing your air conditioner plug it in to the proper electrical outlet in the wall. Keep the vent in the closed position. Now set the air conditioner at your comfort level. This full functional wireless remote allows you to operate your air conditioner without having to get up and go to the unit. The full function feature allows you to change the settings and turn the unit on or off from the remote itself. This control pad works the same as the control pad on the air conditioner.

(See Fig. # 1)

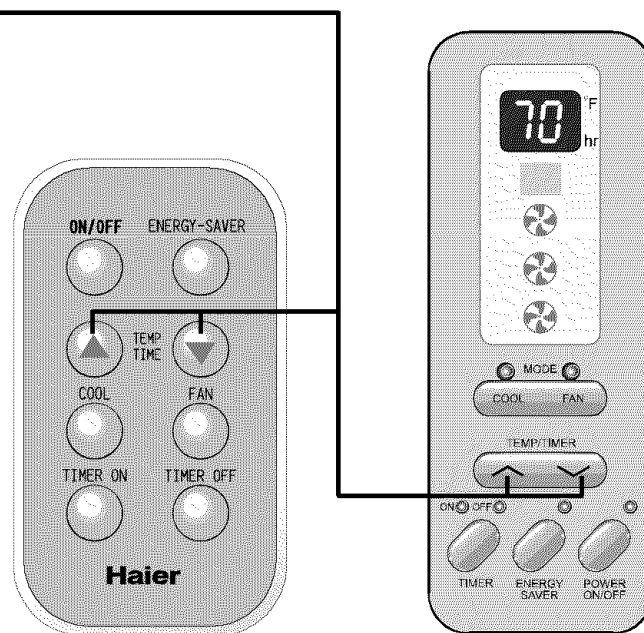
Fig. # 1  
**Remote Control**



After you plug in the unit it will perform a self test. All the display lights will turn on for 3 seconds. The LED display will read "88". If any display light fails to turn on you may need service on the unit. After the 3 seconds self test the unit will automatically go to the stand by mode. Now all lights will be off and you will have to turn "ON" by pressing the On/Off key. After pressing "On/Off", the unit starts to work and enters the status of "Fan Only" with low setting.

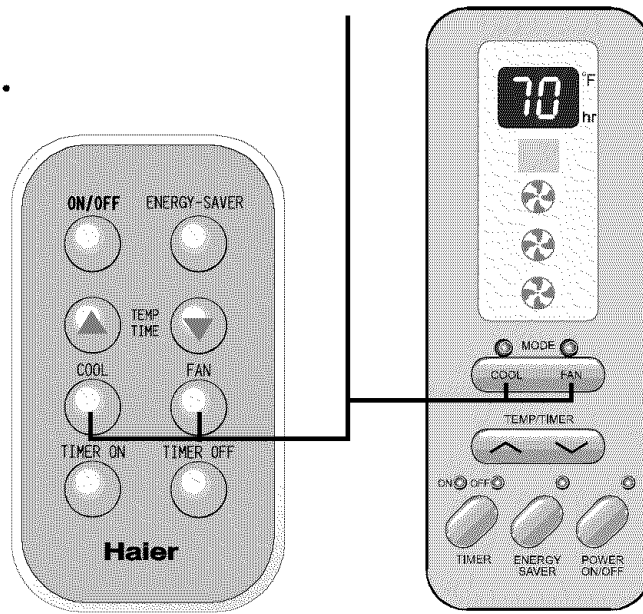
You will have to press the (▲) or (▼) key on the Temp/Time to set the temperature at your desired comfort. You can choose between 61°F and 86°F. Once the temperature is set you can raise or lower it by pressing the (▲) or (▼) keys. (Only when the unit is cooling, can the temperature setting be adjusted.) (See Fig. # 2)

Fig. # 2

**Control Panel.**

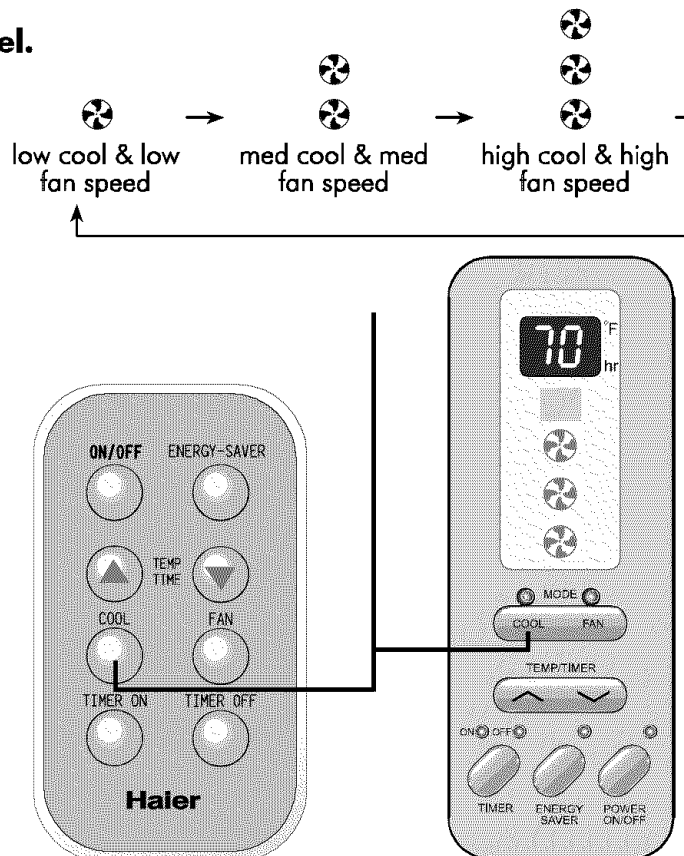
If you want to cool the room press the COOL function. If you just need to use the fan only, press the Fan function. (See Fig. # 3)

Fig. # 3  
Control Panel.



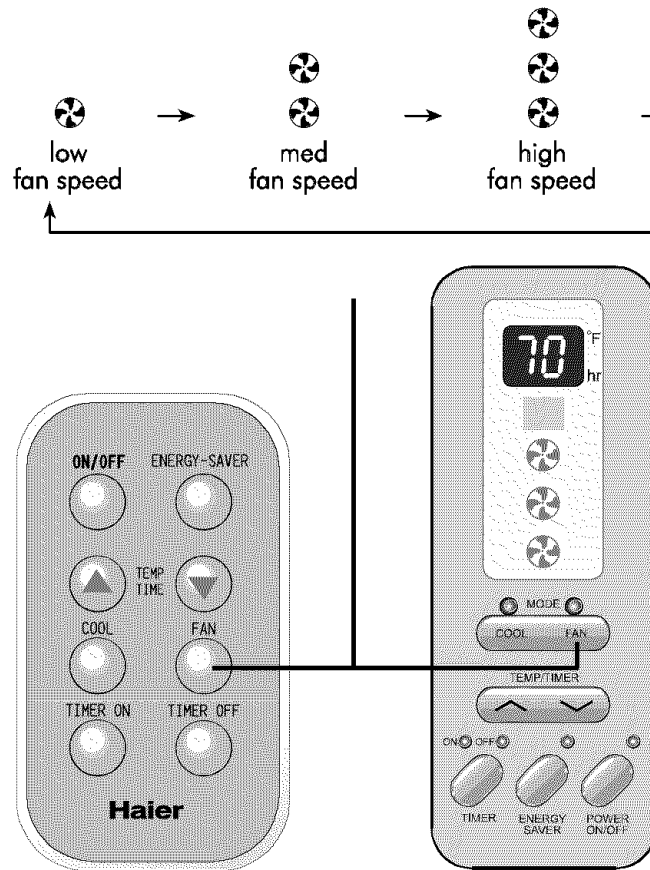
Once the function mode is decided you will have to set the fan speed. If you choose the COOL mode you can run the fan in one of the 3 speeds HIGH, MED and LOW. (See Fig. # 4)

Fig. # 4  
Control Panel.



For cool days you may want to run the " Fan Only " function. Here the fan can runs at HIGH, MED or LOW. ( See Fig. #5 )

Fig. # 5  
**Control Panel.**



Timer on or Timer off mode is used to pre-start or shut off your unit in advance. You can program this up to 24 hours in advance. You can use the Timer in 2 functions i.e. Cool or Fan Only.

•Timer On. (See Fig. # 6)

Unit must be on to set the timer. Unit will shut down automatically after it accepts the settings in 5 seconds. Use this mode to pre-set the start time of the unit 24 hours in advance.

a) Press On , LED display will show "XX" (time set last time) when power is connected first time, LED display will show "01" .

b) Set desired number of hours by pressing the (▲) pad of the Temp/Time buttons, one for each hour. If you passed the desired time use the (▼) pad key to lower the selection.

c) After set Timer On, LED display will show the time. This time displayed: unit will starts after X hours.

•Timer Off (See Fig. # 6)

Unit must be running to set the timer off. Use this to preset the time you would like the unit to shut off.

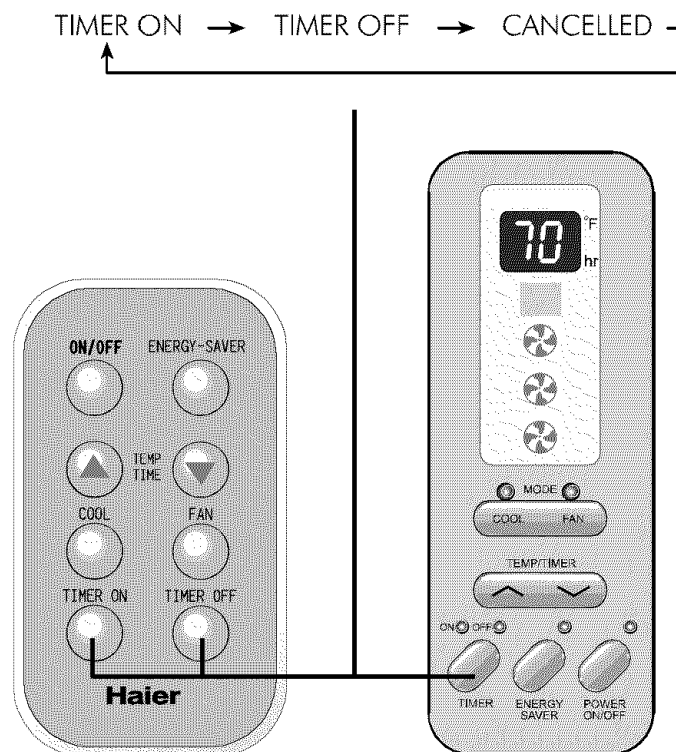
a) Press Off , LED display will show "XX" (time set last time) when power is connected first time, LED display will show "01" .

b) Set desired number by pressing the (▲) pad of the Temp/Time buttons. One for each hour. If you passed the desired time, use the (▼) pad key to lower the selection.

c) After set Timer Off, LED display will show the room temperature about 5 seconds later.

When using the timer the unit will use/revert to the last Cool and fan settings when activated. The timer must be reset every time you choose to use it.

Fig. # 6  
**Control Panel**



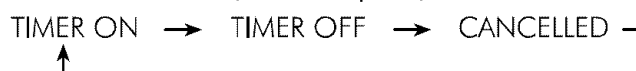
**Remote Control:**

a) Pressing the TIMER ON button one time, the setting of TIMER ON can be done. Pressing the button for a second time, the setting is cancelled.

b) Pressing the TIMER OFF button one time, the setting of TIMER OFF can be done. Pressing the button for a second time, the setting is cancelled.

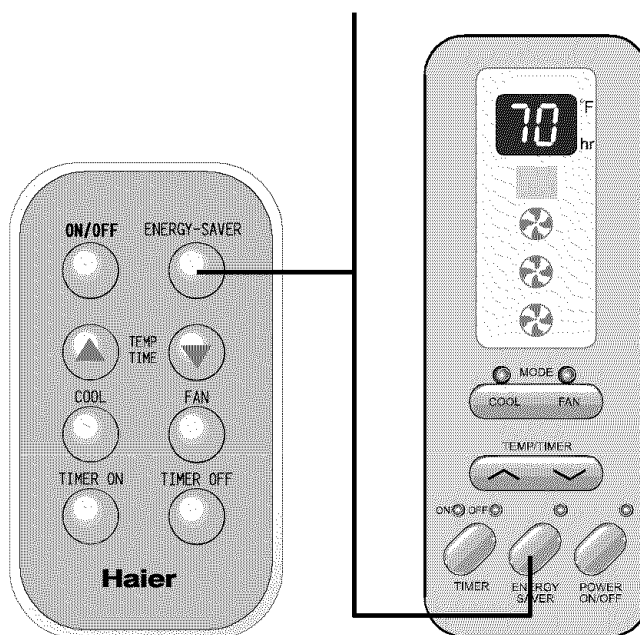
**Electronic touch pad**

Press TIMER button, for each press, TIMER mode will changes as follows:



**Energy Saver:** By pressing this key you will activate the unit to go in the energy saver mode. The fan will be off 3 minutes after the compressor cycle off. By deactivating it the fan keeps running at the set speed even if the compressor shuts off. (See Fig. # 7) (This function is available in the cooling function only)







Fig. # 7  
**Control Panel**



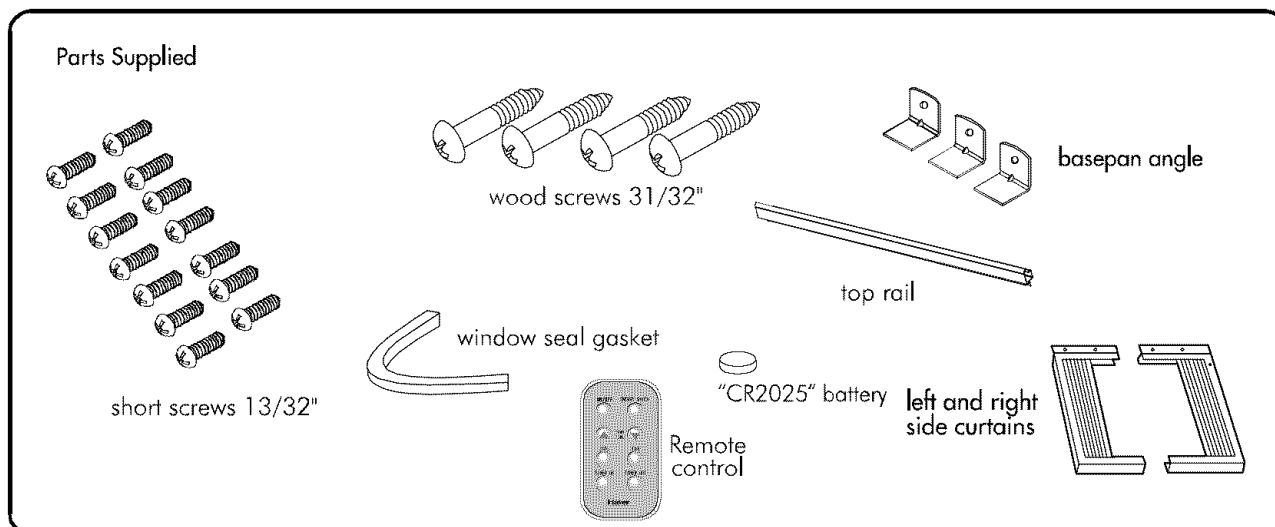
When unit is in "Energy Saver" mode the LED display will show room temperature. Press the (▲), (▼) key to get set temperature.

## **Installations**

Before you install your air conditioner check the following:

- 1) The unit is free of all obstructions inside and outside the room e.g. drapes, curtains, furniture, plants, shrubs, bushes, trees, other structures like building, garage etc. Air conditioner must have clear unobstructed airflow through the condenser to remove the heat.
- 2) The window is strong enough to hold the weight of the air conditioner. Extra brackets or supports may be needed depending on your windows.
- 3) The window sill and track are strong enough to hold the weight of the air conditioner.
- 4) The wall is strong enough to hold the unit. Extra brackets or supports may be needed depending on the wall.
- 5) There is adequate and proper power supply near the air conditioner.
-  6) DO NOT use adapter plugs.
-  7) DO NOT use extension cords.
-  8) DO NOT cut or remove the ground prong.
-  9) DO NOT modify the plug or the electrical wall outlet in any way. If plug does not fit the electrical outlet have a certified electrician do the necessary change.
-  10) DO NOT connect electrical power to the unit before installation.
-  11) DO NOT use if power cord is worn out, frayed or otherwise damaged. Avoid using if there are cracks or abrasion damage along the length, plug or connection.

## Parts



## Tools

You will need to have the following tools to help you in the installation of your air conditioner.

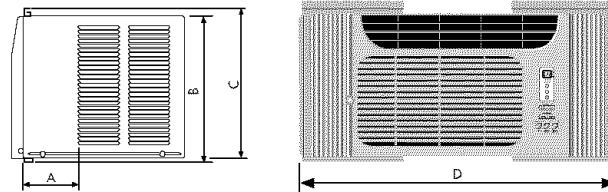
- Scissors
- Phillips Screwdriver
- Standard Screwdriver
- Pliers
- Wrench
- Drill and Drill Bits
- Tape Measure
- Gloves
- Level
- Sockets



# Installing Unit into A Window

## Window Opening Requirements

The air conditioner is designed to fit into double or single hung sash type windows. Each of the units comes with an installation kit that provides adjustable mounting louvers, to fill the gaps between the sides of the unit, and the window frame. The chart below reflects the dimensions of the units with, and without installation kits. Measure your window opening width and compare it to the chart below to ensure that it meets the minimum and maximum window width requirements.



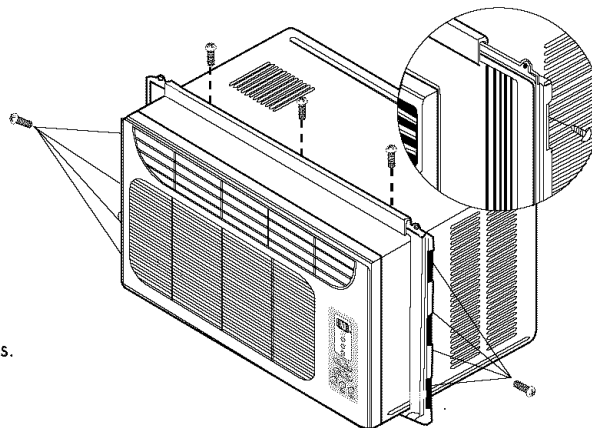
Model	HWR06XC3-T
Dimension	
A(inch)	$5\frac{3}{25}$ "
B(inch)	$12\frac{3}{5}$ "
C(inch)	$13\frac{2}{5}$ "
D(inch) Max	$33\frac{1}{5}$ "
D(inch) Min	$22\frac{1}{2}$ "
Case High	$12\frac{7}{16}$ "
Case Width	$18\frac{9}{16}$ "
Case Depth	$13\frac{3}{8}$ "

### 1 ASSEMBLE CURTAINS/TOP RAIL

Install top rail with 3 short screws  $13/32$ ".

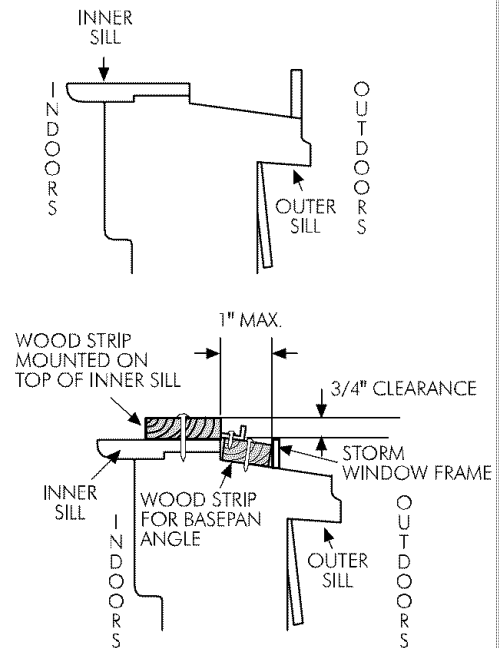
Insert the side curtains into the top and bottom rails of the air conditioner. Fasten the curtains to the unit with 8 short screws  $13/32$ ".

**Caution:** Never expose plastic front or grille to extreme temperatures.



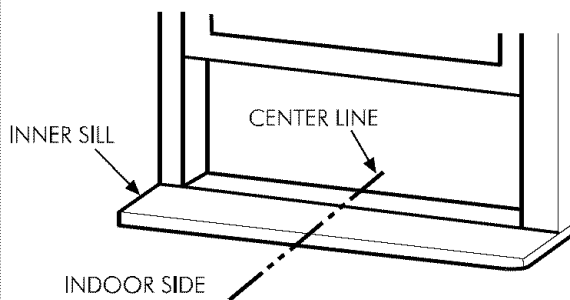
## 2 PREPARE WINDOW FOR INSTALLATION

1. This unit is designed for installation in standard double hung windows with actual opening widths of 22" to 36". The upper and lower sash must open sufficiently to allow a clear vertical opening of 14" from the bottom of the sash to the window stool.
2. If storm window presents interference, fasten a 2" wide wood strip (not included) (OUTER SILL) to the inner window sill across the full width of the sill. The wood strip should be thick enough to raise the height of the window sill so that the unit can be installed without interference by the storm window frame (STORM WINDOW FRAME) or wood strip (OUTDOORS) to help condensation to drain properly to the outside.
3. Install a second wood strip (approximately 6" long by 3/2" wide and same thickness as first strip) in the center of the outer sill flush against the back of the inner sill. This will raise basepan angle.
4. If the distance between STORM WINDOW FRAME and WOOD STRIP MOUNTED ON TOP OF INNER SILL is more than 1" , two of wood strip are not necessary.



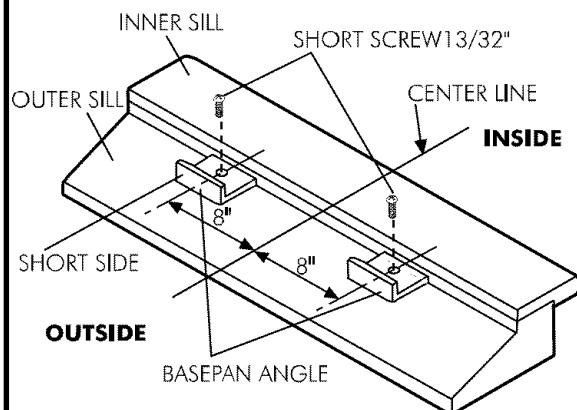
## 3 LOCATING UNIT IN WINDOW

Open the window and mark center line on the center of the inner sill.



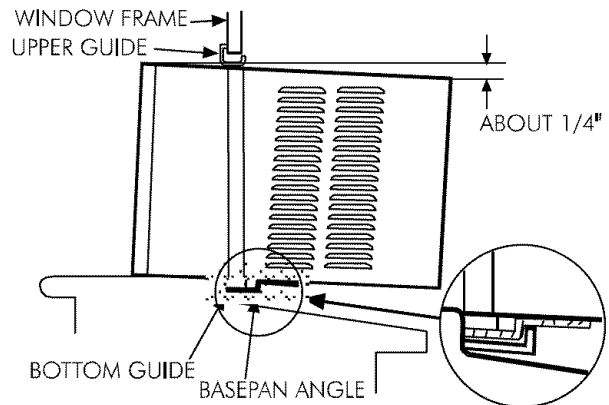
## 4 ATTACH BASEPAN ANGLE

Install the basepan angle behind the inner window sill, with the short side of basepan angle as shown. Use the 2 short screws 13/32" provided. The basepan angle helps to hold unit securely in place. Be sure to place basepan angle edge flush against back of inner sill.



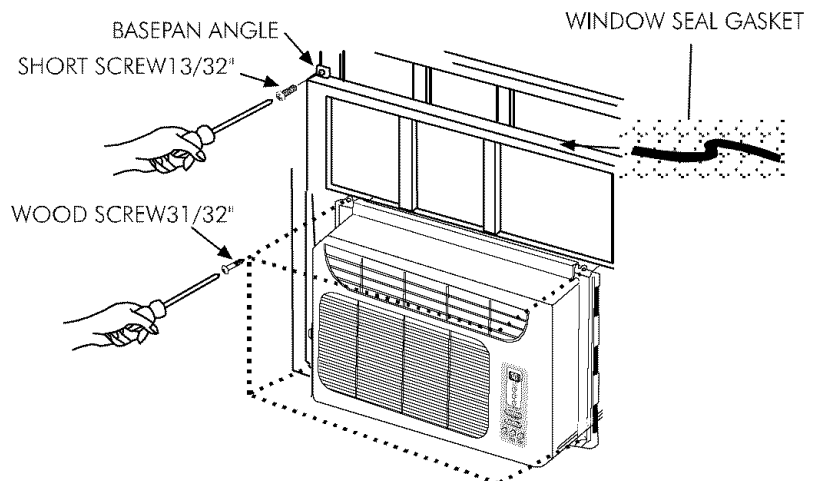
## 5 INSTALL THE AIR CONDITIONER IN THE WINDOW

Carefully lift the air conditioner and slide it into the open window. Make sure the bottom guide of the air conditioner drops into the notches of the basepan angle. While steadying the air conditioner, carefully bring the window sash down behind the upper guide of the air conditioner.

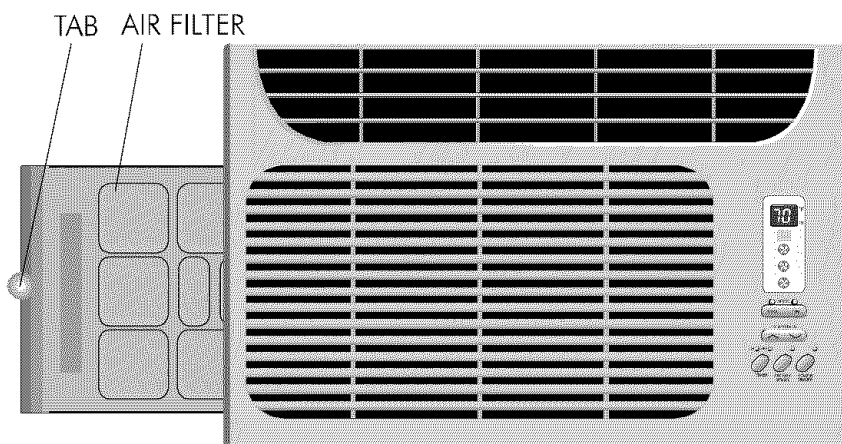


## 6 INSTALL THE SEAL GASKET AND SASH LOCK

Extend the side curtains to fill the window opening using 4 wood screws  $31/32$ " to secure them. Cut the seal gasket to the window width. Stuff the sash seal between the glass and the window to prevent air and insects from getting into the room. Fasten the basepan angle, using a short screw  $13/32$ ".



## Care and Cleaning Guide



- **Always unplug your air conditioner before cleaning.**
- **Air filter needs to be cleaned at least once a month for your unit to operate at optimum efficiency.** The filter can be slid out from the side by pulling on the tab located on the middle left side of the front mask. The filter may be washed or vacuumed. Remove the excess water from the filter by gently shaking the filter. This will remove dust and particles trapped in the filter. After cleaning, reinstall the filter.  
**DO NOT use your air conditioner without the air filter in place.**
- **To clean the front panels or the cabinet DO NOT use harsh chemicals, abrasives, ammonia, chlorine, bleach, concentrated detergents, solvents or metal scouring pads.** Some of these chemicals may dissolve, damage and/or discolor your air conditioner.
- **Always use a soft cloth dampened with water or mild soap and water solution to wipe the front of the cabinet.** Wipe dry with a soft cloth.

- To store your air conditioner, after the season, remove the unit from the window as per the installation guide. Repack the unit in its original box and store away. If your unit is installed in a wall or you do not intend to remove it from the window then cover the outside with a winter cover. This can be purchased from the retailer where you purchased your air conditioner or from your local hardware store.
- Before putting away your unit make sure any water left in the pan is removed and drained away. Water left in the pan could lead to Rusting or damage to the electrical connections.

## **Trouble-Shooting**

### **If air conditioner does not operate:**

- Check if unit is plugged in. The plug may have come loose.
- Check if the unit is in "Off" mode.

### **Air from air conditioner is warm:**

- The A/C setting may need to be raised.

### **Ice formation on cooling coils:**

- Outside temperature too cold. Set the unit on fan only setting to defrost ice.
- Lower temperature setting. Temperature setting may be too cold.
- Unit BTU may be too high for the room.

### **Air conditioner working but room not cooling:**

- Room may have appliances that produce heat. Use an exhaust fan to remove excess heat.
- Redirect the airflow. Remove any obstacles.
- All doors and windows need to be closed so cool air does not escape the room.
- Air filter may need cleaning.
- Unit BTU may be too low for the required cooling area.
- On extreme hot & humid days air conditioners may take a little longer to cool.

### **Air conditioner is making noise when cooling:**

You may hear sounds of air movement, water, compressor clicking on and off or window vibrations. Read Operating Guide – Normal Operating Sounds. (See page 8)

### **Water in the air conditioner cabinet:**

This is normal as your air conditioner not only cools but also dehumidifies the air. If there is water dripping inside the room, check the installation of the unit. The unit may need to be reinstalled. (See page 18)

# Limited Warranty

**This warranty covers all defects in workmanship or materials for:**

1. The mechanical and electrical parts (including labor costs) contained in this Haier product, for a period of 12 months, from the date of purchase, (commercial or rental application, the warranty is 90 days).
2. The sealed system and compressor contained in this Haier product is for a period of 5 years, from the date of purchase (excluding labor costs after the initial 12 month period). In commercial or rental use, the additional limited compressor warranty is for 1 year and 9 months, (excluding labor costs after the initial 90 days period).

**You must keep and be able to provide your original sales receipt as proof of the date of purchase.**

## **Who is covered?**

The original retail purchaser of this Haier product.

## **What will be done?**

Haier will repair or replace, in your home, any mechanical, electrical part or the compressor, which proves defective in normal household, use for a period of 12 months. Haier will repair or replace (excluding labor costs) the sealed system and compressor (parts only) for an additional 4 year period.

## **How can you get service?**

1. Contact your nearest Haier authorized Service Depot. For the name of the Service Depot nearest you, contact Haier at (877) 337-3639.
2. All service must be performed, by an authorized Haier Service Depot.

**THIS WARRANTY COVERS UNITS WITHIN THE CONTINENTAL UNITED STATES, CANADA AND PUERTO RICO.**

## **THIS WARRANTY DOES NOT COVER:**

- Damages from improper installation
- Damages in shipping
- Damages from misuse, abuse, accident, alteration, lack of proper care and maintenance
- Damages from service, by other than an authorized dealer or service center
- Labor, service, transportation and shipping charges for the removal of defective parts and installation of a replacement part, beyond the initial 12 month period.

THIS LIMITED WARRANTY IS GIVEN IN LIEU OF ALL OTHER WARRANTIES, EXPRESS OR IMPLIED, INCLUDING THE WARRANTIES OF MERCHANTABILITY AND FITNESS FOR A PARTICULAR PURPOSE.

The remedy provided in this warranty is exclusive and is granted in lieu of all other remedies. This warranty does not cover incidental or consequential damages. Some states do not allow the exclusion of incidental or consequential damages, so this limitation may not apply to you. Some states do not allow limitations on how long an implied warranty lasts, so this limitation may not apply to you. This warranty gives you specific legal rights, and you may also have other rights, which vary from state to state.

# **IMPORTANT**

## **Do Not Return This Product To The Store**

**If you have a problem with this product, please contact the "Haier Customer Satisfaction Center" at 1-877-337-3639.**

**DATED PROOF OF PURCHASE REQUIRED FOR WARRANTY SERVICE**

**FOR SPECIFIC ELECTRICAL RATING,  
REFER TO ELECTRICAL RATING NAMEPLATE ON YOUR UNIT**

**Made in China**

# **Haier<sup>®</sup>**

***What The World Comes Home To™***

**Haier America  
New York, NY 10018**

**Printed in China**