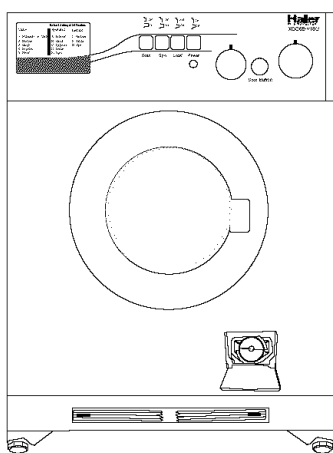


Haier®

What The World Comes Home To™

Front Load Clothes Washer & Dryer Combo



Lave-Linge Sechant a Chargement Frontal

Lavadora y Secadora de Carga Frontal

User Manual-

Model #

Guide de l'Utilisateur-

Modèle

Manual del Usuario-

Modelo #

XQG65-11SU

English

IMPORTANT SAFETY INSTRUCTIONS

Warning – To reduce the risk of fire, electric shock, or injury to persons when using your appliance, follow basic precautions, including the following:

- 1. Read all instructions before using the appliance.**
2. Use this appliance only for its intended purpose as described in this use and care guide.
3. Use only detergents or softeners recommended for use in this appliance and keep them out of the reach of children.
4. This appliance must be properly installed in accordance with the installation instructions before it is used.
5. Never unplug your appliance by pulling on the power cord. Always grasp the plug firmly and pull straight out from the outlet.
6. Replace immediately worn power cords, loose plugs/power outlets.
7. Unplug your appliance before cleaning or before making any repairs.
8. If your old appliance is not being used, we recommend that you remove the door. This will reduce the possibility of danger to children.
9. Do not operate your appliance in the presence of explosive fumes.
10. Do not use this appliance to wash clothes soaked, spotted or washed in gasoline, dry cleaning solvents or any other explosive or flammable substances that could ignite and explode.
11. Clothes or rags used to clean flammable or explosive materials should not be washed in this appliance till all traces of this material has been removed, to avoid an accident.
12. Do not add or mix any flammable or explosive substances to the wash.
13. Do not try to remove clothes while the tub is moving. Let it come to a complete stop before use.
14. The appliance loading door must be closed when tub is spinning.
15. Do not operate your appliance when parts are missing or parts are broken.
16. Do not use this appliance for commercial clothes washing.
17. Do not operate this appliance unless all enclosure panels are properly in place.
18. Do not tamper with controls.
19. To reduce risk of injury do not allow children to play in or on the appliance. Close supervision of children is necessary when the appliance is used near children.

20. This appliance must be connected to proper electrical outlet with the correct electrical supply.
21. Proper grounding must be ensured to reduce the risk of shock and fire. **DO NOT CUT OR REMOVE THE GROUNDING PLUG.** If you do not have a three-prong electric receptacle outlet in the wall, have a certified electrician install the proper receptacle. The wall receptacle **MUST** be properly grounded.
22. Hydrogen gas may be produced if the water heater has not been used in more than 2 weeks. This could be explosive and can explode under certain circumstances. If this is the case, before using this appliance turn on all the hot faucets and let the hot water run for a few minutes. This will let the trapped hydrogen escape. During this process do not turn on an electric appliance, smoke, light a match/lighter or use a flame to avoid an accident, as hydrogen gas is flammable and can explode.
23. Do not dry articles that have been previously cleaned in, washed in, soaked in, or spotted with gasoline, dry-cleaning solvents, or other flammable or explosive substances, as they give off vapors that could ignite or explode.
24. Do not repair or replace any part of the appliance or attempt any servicing unless specifically recommended in the user-repair instructions that you understand and have skills to carry out.
25. Do not use heat dry to articles containing foam rubber or similarly textured rubber-like materials.
26. Clean lint trap before and after each load.
27. Do not place items exposed to cooking oils in your dryer. Items contaminated with cooking oils may contribute to a chemical reaction that could cause a load to catch fire.
28. To reduce the risk of electric shock or fire, do not use extension cords or adapters to connect the unit to electrical power source.

**SAVE THESE INSTRUCTIONS
For Future Use**

English

DANGER

Risk of child entrapment. Before you throw away your old appliance, take off the door so that children may not easily get trapped inside.

Thank you for purchasing our Haier product. This easy-to-use manual will guide you in getting the best use of your washer & dryer combo unit.

Remember to record the model and serial number. They are on a label in back of the unit.

Model number

Serial number

Date of purchase

Staple your receipt to your manual. **You will need it to obtain warranty service.**

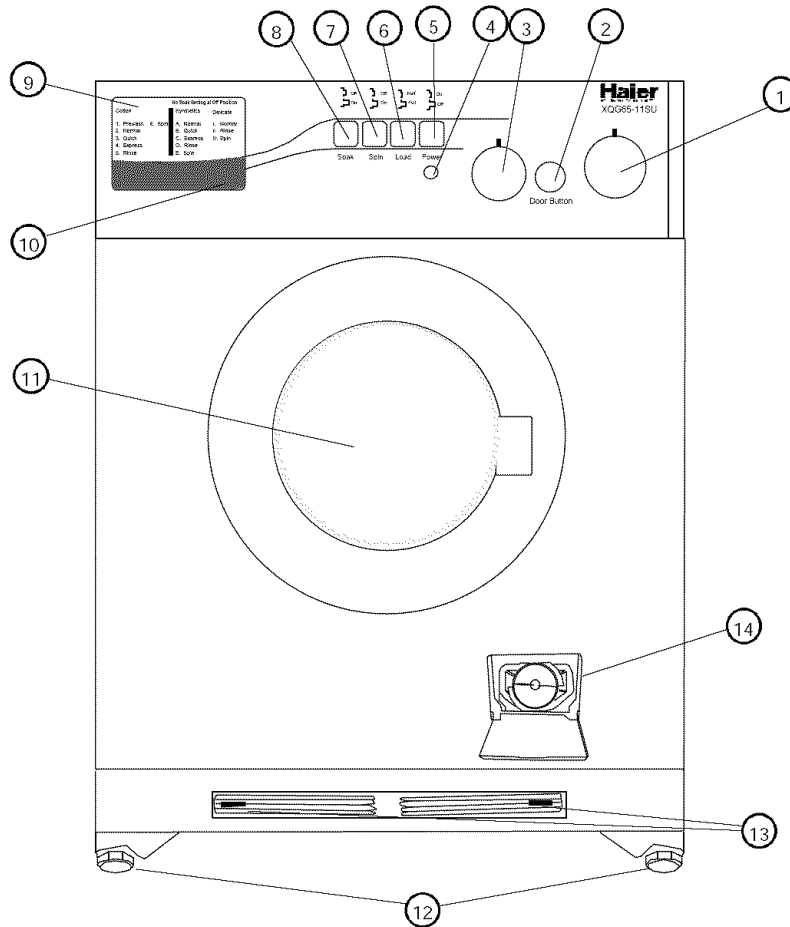
Table Of Contents

	PAGE
SAFETY INSTRUCTIONS	1
OPERATING INSTRUCTIONS	4
Parts and Features.....	5
Operations	7
Normal Operating Sounds.....	16
Care and Cleaning Guide	16
Cleaning and Maintenance	16
Moving and Vacationing	17
Storage of Your Washer	17
Troubleshooting	18
INSTALLATION INSTRUCTIONS	21
Tools and Materials Required.....	21
Unpacking Your Washer	22
Leveling Your Washer	23
Steps for Installation	23
Electrical Connections	26
Grounding Instructions.....	26
Power Interruptions	26
Warranty	27

English

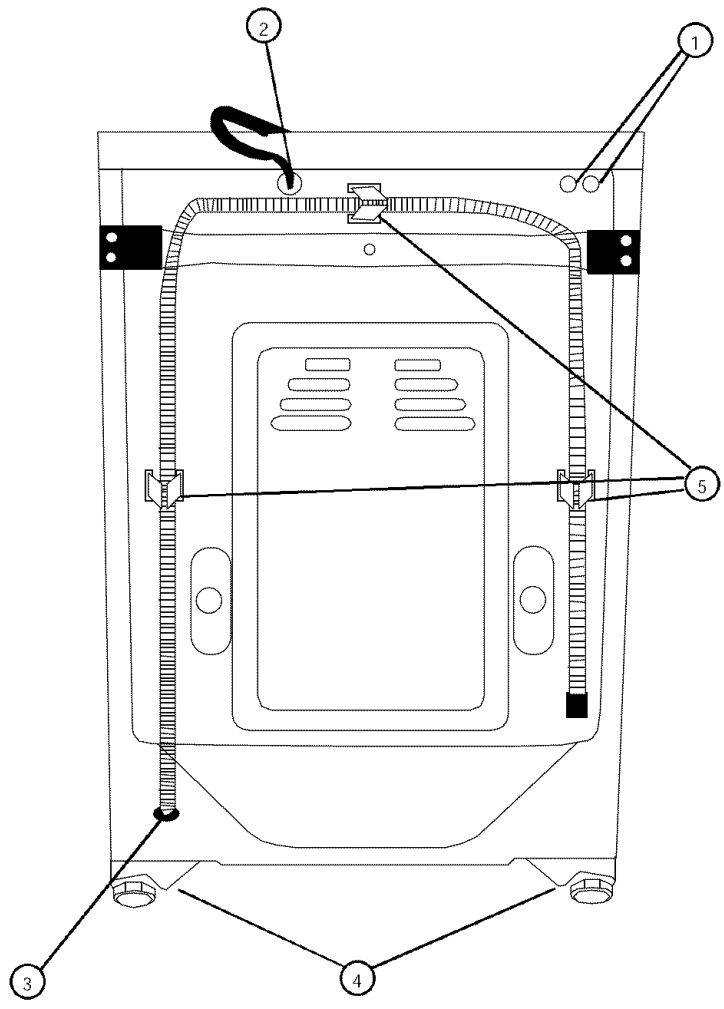
OPERATING INSTRUCTIONS

Parts and Features



- | | |
|--|--|
| 1. Wash Cycle Selector Knob | 8. Soak Cycle "On/Off" Selector Button |
| 2. Door Button | 9. Wash Cycle Reference Chart |
| 3. Dry Cycle Select Knob | 10. Detergent/Softener Dispenser |
| 4. Power "On" Indicator Light | 11. See Through Glass Window Door |
| 5. Power "On/OFF" Button | 12. Front Adjustable Leveling Legs |
| 6. Load Rinse Level Selector Button | 13. Caster Release Levers |
| 7. Spin Cycle "On/Off" Selector Button | 14. Lint Trap |

English



- 1. Water Inlets (Hot/Cold)
- 2. Power Cord (115 V / 60 Hz)
- 3. Drain Hose
- 4. Rear Adjustable Leveling Legs
- 5. Hose Retainer Clips

English

Understanding Your "Front Load" Washer

This style of washer is gentler on your laundry because it has a tumble wash action and there is no agitator to damage your clothes. Since there is no agitator in this style of washer, the washer runs quietly. This style of washer is designed to save you money. It uses less water and detergent to clean your laundry.

OPERATIONS

Power Button:

- Push the button in to have your washer "ON". The light will turn on indicating that power is "ON". Push the button out to have your washer "OFF". The light will go off indicating that power is "OFF".



Load Rinse Level Selector Button:

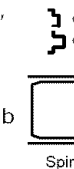
- Push the button in if you want to reduce water usage during the rinse cycle. Push the button out if you want maximum water usage during the rinse cycle.

Note: Half=Minimum Water Rinse
Full=Maximum Water Rinse



Spin Cycle Selector Button:

- If you want to extract more water from your clothes during the wash cycle, push the button out. Clothes will be drier when this option is selected.
- If you do not want to extract water from your clothes using the spin cycle, push the button in. If this option is selected, only the excess water in the tub will drain leaving the clothes wet.



Advantages of Non-Spin Cycle:

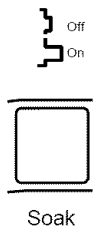
- The spin cycle may cause excessive creasing and wrinkling in some fabrics.
- High speed spin might be too strong for delicate garments. It could result in stretching or excessive wear.

Note: When the spin cycle is in the OFF position, the machine will not automatically go to the spin dry function.

Note: Button In means OFF, button Out means ON.

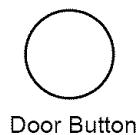
Soak Cycle Selector Button:

- Push the button in to have soak "OFF" and push the button out to have soak "ON". After the rinse water fill and the softener is dispensed, the cycle will allow the clothes to soak before completing the rinse portion of the wash cycle.



Door Button:

- Push the button to open the door. This wash & dry combo unit has built-in safety lock device. You must wait 3 minutes to open the door after the machine has stopped.

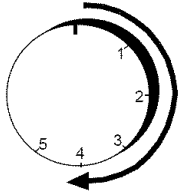


Note: If you want to open the door in the middle of the cycle to add or remove clothes, push the button to OFF position. To resume the cycle at that point, simply close the door and push the power button to ON position.

English

Wash Cycle

- Before you begin washing your clothes, read the cycle reference chart for your clothes carefully. It is located on the front upper left corner on your washer.



Note: Turn the knob **CLOCKWISE** to your desired setting when selecting the cycle.

Below is the cycle reference chart for your clothes.

Cotton Cycle

- 1-Pre-wash
- 2-Normal
- 3-Quick
- 4-Express
- 5-Rinse

Synthetics

- A-Normal
- B-Quick
- C-Express
- D-Rinse
- E-Spin

Delicate

- I-Normal
- II-Rinse
- III-Spin

- Select the appropriate cycle from 1 to 4 for cottons, from A to C for synthetics or I for delicates on your cycle selector knob.

Follow the steps below to select the proper cycle:

1. Select proper cycle number, letter or Roman numeral on the cycle reference chart.
2. Turn the knob clockwise to matching symbol. Make sure to line up the symbol indicator on the control panel.
3. Push the power "ON" button.

Cotton Cycle:

Pre-Wash Cycle: The purpose of this cycle is that if you want to pre-wash heavily soiled clothes before the actual wash cycle begins. This cycle is configured in such a manner that it will go through Normal→Quick→Express wash cycles time mode including rinse and spin cycles automatically to complete the wash. The total time for this cycle is approximately 147 minutes when selected.

Normal Wash Cycle: This is used for work & play, household linens, normal to lightly soiled and cotton clothes. This cycle is approximately 130 minutes.

Quick Wash Cycle: This is used for a small load of lightly soiled items that needs to be washed quickly. This cycle is approximately 80 minutes.

Express Wash Cycle: This is also used for small load of lightly soiled items that needs to be washed quickly. This cycle is approximately 60 minutes.

Synthetics Cycle:

Normal Wash Cycle: This cycle is used for soiled permanent press, silks, woolens, nylon and acrylic fabrics. This cycle is approximately 60 minutes.

Quick Wash Cycle: This is used for a small load of lightly soiled items that needs to be washed quickly. This cycle is approximately 45 minutes.

Express Wash Cycle: This cycle is same as quick wash cycle except the time difference. This cycle is approximately 40 minutes.

Delicate Cycle:

Normal Wash Cycle: This cycle is used for delicate fabrics that are often washed by hand. This cycle is approximately 30 minutes.

Note: If the Spin Cycle is at "OFF" position before starting a cycle, the machine will automatically switch to drain and shut off. Also the machine will not automatically switch over to the dryer function.

English

Temperature

The water temperature is preset so when you select wash cycle it will set the proper temperature for that wash load.

Please see the chart below to understand the proper temperature for each cycle:

Type of Cycle	Type of Temperature
Cotton Cycle	
Pre-Wash	Cold
Normal	Hot
Quick	Warm
Express	Cold
Rinse	Cold
Synthetic Cycle	
Normal	Warm
Quick	Warm
Express	Cold
Rinse	Cold
Delicate Cycle	
Normal	Cold
Rinse	Cold

Note: Hot water needs to be at a temperature of at least 120 degree F 140 Degree F (49 Degree C - 60 Degree C) for the soap to dissolve and to avoid soap residue remaining on clothes. If your water temperature is not at above described level when washing your clothes, you need to regulate your water heater to maintain that temperature.

Loading the Washer:

- Load each item loosely.
- Separate the white and colored clothes. Separate heavy clothes from light clothes.
- Carefully check all pockets and cuffs for small items. They can easily slide in to the tub and may damage the tub.
- Pre-treat all stains and heavily soiled areas for best results.
- Do not overload your washer.
- Close the door properly after loading the clothes.

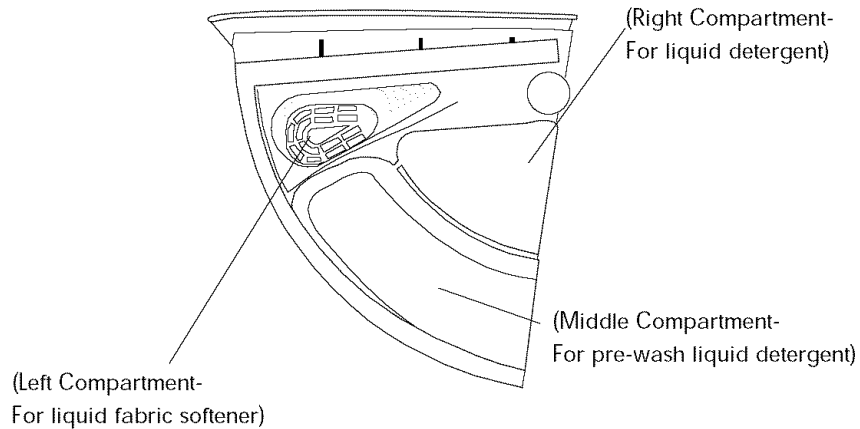
Proper Use of Dispenser:

The detergent/softener dispenser is located on the upper left corner of the washer. Open the dispenser by pulling it out. You will see that there are three compartments.

Middle Compartment: This is used for liquid detergent for pre-wash. This is used when you want to pre-wash heavily soiled dirty clothes before going to actual wash cycle.

Right Compartment: This is used for liquid detergent for actual wash cycle.

Left Compartment: This is used for liquid fabric softener.



Proper Use of Fabric Softener:

- Pour in liquid fabric softener into left side compartment as recommended by the manufacturer.
- Do not exceed the level in the compartment to avoid overflow.

English**Proper Use of Detergent:**

Low-Susding is recommended for front load style washers. This type of detergent prevents damage to your washing machine; which may be caused by excess amount of suds entering the condensing compartment.

Note: You can use less or more detergent depending on the size of the load, water type in your area whether it is soft or hard and whether the clothes are heavily soiled or lightly soiled. Besides the performance of the washing machine the quality of the detergent also affect the washing result.

- Warning:**
- Never pour fabric softener directly onto clothes because it will stain your clothes or you may get spots on your clothes.
 - Do not use powder form of softener into dispenser otherwise it will clog up the dispenser. This dispenser is only designed for liquid form.

Dryer Operation:

- Your dryer is "**condensing type**" which means it requires no venting. During the drying process, the evaporating water from your clothes is condensed by the machine and drained in the form of water out of the drain hose. The machine uses small amount of fresh water that is automatically fed to the machine from the inlet hose. You may hear that the machine is drawing water during the dry cycle.
- With this vent-less design, you can install the dryer under the counter to have built-in look or any other enclosed area. You do not need to worry about exhausting the hot air from the area where it is installed.

Note: The drying operation of this unit is unlike other dryers you may have used in the past. Large household and laundromat dryer operate on 220 volt which supply more electricity and allows faster drying time. Your dryer operates on 115 volt; which supply less electricity resulting in longer drying time.

- You can select drying time up to 120 minutes. See below the recommended temperature and time setting for different clothes:

Dry Time Selection	Heat Type	Types of clothes
90-120 minutes	High	For jeans and towel etc.
60-80 minutes	Medium	For light garments such as bed sheets, skirts, socks etc.
40-50 minutes	Low	For light garments such as stocking & nylon etc.

Note: For full loads, you may want to remove $\frac{1}{3}$ to $\frac{1}{2}$ of the load and dry the remaining clothes separately. This will be an efficient way to dry your clothes and will not take as long to dry. For less than full loads, you may want to reduce drying time. This will prevent over drying your clothes.

Manual Operation of the Dryer:

- To operate the dryer manually, simply load machine with wet clothes, turn the "Dryer Selector Knob" to the desired time and push the power button "ON".

Note: When operating the dryer, you must keep "Wash Cycle Selector" knob in the "OFF" position in order to have dryer "ON".

Automatic Operation of the Dryer:

- For the automatic operation, simply set the "Dry Cycle Selector Knob" to the desired time at the beginning of the wash cycle. When the wash cycle is finished, the dryer will turn on automatically.

Note: The dryer will not turn on automatically if the spin cycle is on "OFF" position. You must keep the spin cycle button in "ON" position in order to go from wash function to dryer function automatically.

Note: When washing full load, we recommend that you keep the spin cycle in the "OFF" position to prevent the unit from going to dry mode automatically at the end of cycle if the spin cycle was in "ON" position. This will give you the flexibility to take out $\frac{1}{3}$ to $\frac{1}{2}$ of the load and dry the remainder. The advantage is that your clothes will dry evenly and more quickly.

Loading the dryer:

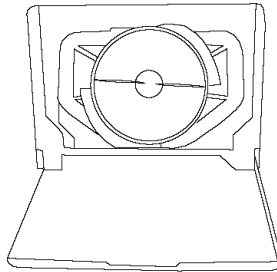
1. Sort clothes for drying. Separate dark and light colored items, like you do for washing. Check for stains that have not been removed in washing. Dryer heat may permanently set some stains. Properly dried clothes will need minimum of care when removed from dryer.
2. Load up dryer with washed clothes. For optimum result, use dryer load of similar weight, fabric and construction. Place small items in a mesh bag to prevent from tangling. Do not overload the dryer. Add fabric softener sheet if desired.
3. Select the drying time depending on the fabric type and load size.
4. Wait for the drying cycle to finish before opening the door.

Note: Do not over dry your clothes. over drying can cause shrinkage, harshness and wrinkling of fabric.

English

Lint Trap

- Lint trap is located on the bottom front right corner behind the small door cover. Push to open the door cover. To remove the lint trap, turn the knob to counter clockwise position. This will unlock the lint trap. To put it back, turn the knob to clockwise position. This will lock the lint trap.
- Please clean the lint trap before and after each use, but do not remove for any reason while the machine is in operation.



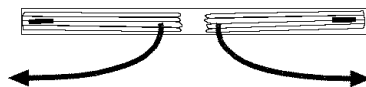
Button Trap

Button Trap is designed to collect small objects such as button, coins, etc. As this may happen very rarely, we recommend to check trap no more than twice a year. Button Trap is located behind the plastic cover on the bottom right front of the machine. If you need to access, simply pull the casters out toward you. Remove the front plastic cover, twist the knob counter clockwise position and pull it out. After emptying it out, replace it back by twisting it clockwise.

Note: Place shallow pan under the trap opening as small amount of water may discharge.

Castors

For your convenience, your machine comes with casters so you can move it wherever you want to. Casters are located on the bottom front right and left side of the machine. Put both hands in the small gap where caster levers are located. Simply pull them out toward you. When the machine is moved to appropriate location just push caster levers back into their in position.



Normal Operating Sounds

The following sounds are normally heard during the operation of the washer:

- Tumbling sounds: This is normal as the heavy wet clothes in the Washer are continuously being tossed around.
- Air rushing noise: This happens when the Washer tub spins at very high RPM.
- Wash and Rinse cycles going on and off will also make clicking sounds.

Care and Cleaning Guide

Warning: Always unplug your appliance to avoid electric shock before cleaning. Ignoring this warning may result in death or injury. Before using cleaning products, always read and follow manufacturer's instructions and warnings to avoid personal injury or product damage.

Cleaning and Maintenance

Use only damp or sudsy cloth for cleaning control panel.

- To avoid any kind of damage to cabinet finish, wipe appliance cabinet as needed. If you spill liquid/powdered softener, bleach or detergent on the cabinet, wipe cabinet immediately because it can damage the finish.
- Do not use any abrasive, harsh chemicals, ammonia, chlorine bleach, concentrated detergent, solvents or metal scouring pads. Some of these chemicals may dissolve, damage and/or discolor your appliance.
- Remove pins or other sharp objects from clothes to prevent scratching interior parts.
- We suggest that you check the button trap no more than twice a year. Do not use the washer without the button trap in place.
- The Detergent Dispenser Compartment has a removable insert. Over time, this compartment may accumulate dried detergent, dirt and debris. You must remove the insert, then rinse in a sink or remove debris with a soft brush.

English

Moving & Vacationing

- Turn off water supply faucets and disconnect hoses. Drain water from all hoses. This will prevent from damaging due to water leakage if the hoses accidentally get ruptured or they become loose.
- Disconnect electrical plug.
- Dry inner wash tub. If moving washer, disconnect drain hose.
- Turn the leveling legs clockwise all the way in.
- Reinstall both shipping bolts and metal brackets in the back to prevent internal part from shaking when appliance is moving to another location.
- To prevent mold or mildew, leave door open so moisture inside machine can evaporate.

Storage of Your Appliance in Cold Environment

- This appliance must be stored at room temperature.
- If you just got delivery of this appliance when outside temperature is below freezing, do not operate until this appliance has warmed to room temperature.
- Do not install or operate this appliance in the area where room temperature is below freezing.

Troubleshooting

Washer does not operate:

- Check if unit is plugged in. The plug may have come loose.
- Check if the electrical wall receptacle is of proper voltage.
- Check if the circuit breaker needs to be reset or if the fuse needs to be replaced.
- Check if the unit is in "Off" mode.
- Check if the washer is overloaded: load may need to be re-balanced and clothes may need to be redistributed.
- Check if the door is open. You may have to close the door properly.
- Check if the control knob is set properly. You may have to adjust the control knob.
- The washer pauses in some cycles. This is normal in delicate or hand-washable cycle, which has short soak period where your clothes are being soaked for very short period of time. You will not hear washer operation for a short period of time. When the soak time is over, it will start automatically.

Problems with water:

- Not enough water coming out: Water faucet may need to be turned on fully. Water hoses may be tangled up or wrinkled up. Straighten up hoses. Check water level selection, it may need to be readjusted.
- Water Temperature is incorrect: Check your water heater temperature. Hot water needs to be at a temperature at least 120°F -140°F (49°C – 60°C). Check to make sure the inlet hoses are properly connected. (e.g. hot to hot & cold to cold)
- Water leaks: This is due to not properly installing drain hose or fill hoses. Your home drain may be clogged or having constant water pressure. You may need to tighten hoses, check the plumbing or call a plumber.
- Water pumped out before the cycle is completed: It happens if you open the door in the middle of cycle.
- Water will not drain: This is due to not installing your drain hose properly. You may need to connect the drain hose properly. Check the position of the drain hose. In order to drain properly, make sure that top of drain outlet is less than 4 ft. (1.2 m) above the floor.

English

Washer is making noise:

- Washer may need to be reinstalled. (Check washer installation section)
- Washer load may need to be re-balanced, as the load may be uneven.
- Coins, loose change, buttons or other heavy objects could make noise (read Operating Guide – Normal Operating Sounds).
- Squealing Sound: Due to overloaded wash tub.
- Vibration Noise: Due to not leveling washer properly on the floor and uneven distribution of clothes in the tub.

Problems with clothes:

- Clothes are too wrinkled: this is due to improper sorting, overloading and washing in too hot water repeatedly. Avoid overloading and resort your load. Do not mix heavy clothes such as work clothes with light clothes such as blouses, light shirts and delicate items. You may need to wash in warm or cold water.
- Have soap residue: detergent may not be dissolving in water. Check water temperature or you need to add detergent as wash tub is being filled with water before you load your clothes to avoid soap residue on clothes.
- Spots or stains on your clothes: this is due to incorrect use of fabric softener. You may need to read proper instructions on the container and follow proper directions for using the softener.
- Clothes are grayed or yellowed: this is due to not pouring enough detergent for large loads. You may have to add more detergent to the load.
- Clothes are ripped & have holes/excessive wear & tear: this is due to sharp objects such as pins and belt buckles left in pockets. You will need to remove small loose sharp objects. Fasten belts, zippers, metal snaps etc. Check if you are using undiluted bleach. Never add undiluted bleach to wash.

Dryer does not operate:

- Check if unit is unplugged. The plug may have come loose.
- Check if the circuit breaker needs to be reset or if the fuse needs to be replaced
- Check if the unit is in "OFF" mode. Press the "ON" button again.
- Check if the door is open.

Dryer is working but not drying the clothes:

- Unit may be over loaded. The dryer drum should only be half full.
- Check if lint trap is clean and dust free.
- Dryer load needs to be resorted. Heavy clothes may need to be separated from regular clothes.
- Bulky clothes may require repositioning.
- If clothes dry unevenly, a higher dry setting may be required or clothes in the dryer may need to be resorted.

Dryer making noise when drying:

- Coins, loose change, buttons and other heavy objects could make noise.
- Dryer may need to be leveled evenly. Read Operating Guide-Normal Operating Sounds.

Static:

- Caused by over drying. Adjust for shorter drying time.
- Mix with synthetic fabric. Sort and separate different fabrics.
- Use a fabric softener.

English

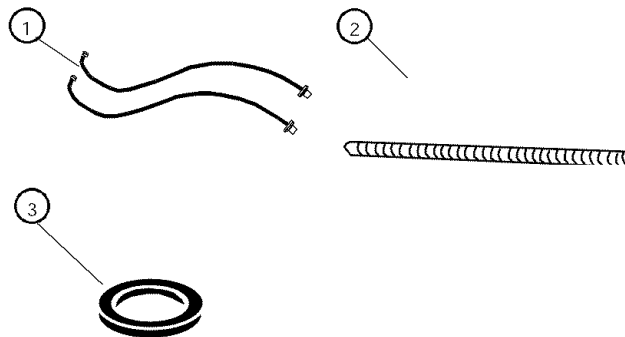
INSTALLATION INSTRUCTIONS

Tools and Materials Required

You will need to have following tools to help you in the installation of your Washer:

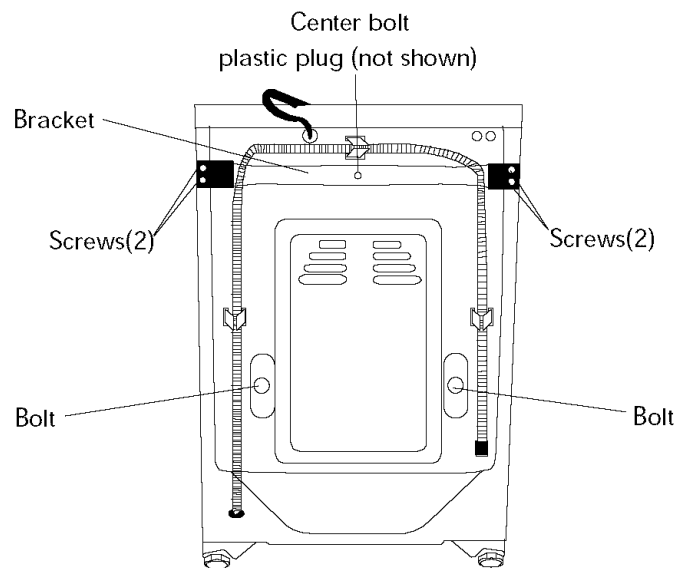
- Scissors
- Phillips Screwdriver
- Standard Screwdriver
- Pliers
- Wrench
- Tape Measure
- Gloves
- Level

Accessories Supplied	Quantity
1. Hot & Cold water inlet hoses	2
2. Drain Hose	1
3. Flat Water Inlet Hose Washers	4



Unpacking Your Appliance

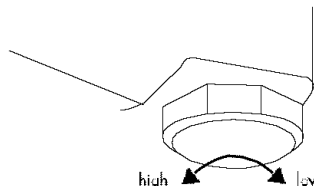
- Remove all packing materials including transportation bolts and brackets. Also remove adhesive tape holding the accessories inside and outside.
- Inspect and remove any remains of packing, tape or printed materials before using the washer.
- Remove 2 bolts, 4 screws and 1 center bolt holding metal bracket from the back of the unit that are installed to protect drum and internal components from damage during shipping. (Wrench is included in the instruction manual bag)
- Screws and Bolts must be removed before using the machine. Once removed, save them so when moving you can reinstall to protect the machine from damage during shipping.
- Once you remove the bracket, reinstall bracket screws, center bolt and plastic plug to prevent damage to the machine.



English

Leveling Your Appliance

- Your washer has 4 leveling legs; which are located on the four bottom corners. After properly placing your washer in its final position, you can level your washer.
- Leveling legs can be adjusted by turning them counterclockwise to raise your washer or turning them counter clockwise to lower your washer.



Steps for Installation

Select a suitable location for this appliance on a hard even surface away from direct sunlight or heat source e.g. radiators, baseboard heaters, cooking appliances etc. Any floor unevenness should be corrected with the leveling legs located underneath, on the bottom corners. This appliance must be placed at room temperature. You must not place this appliance where the temperature is at below freezing.

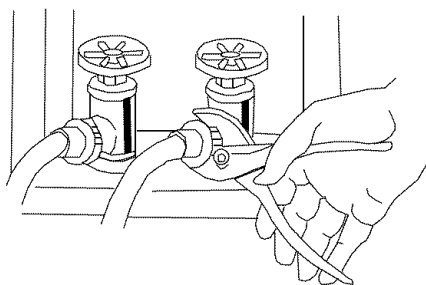
Installing Your Washer:

Read install instructions carefully before installation.

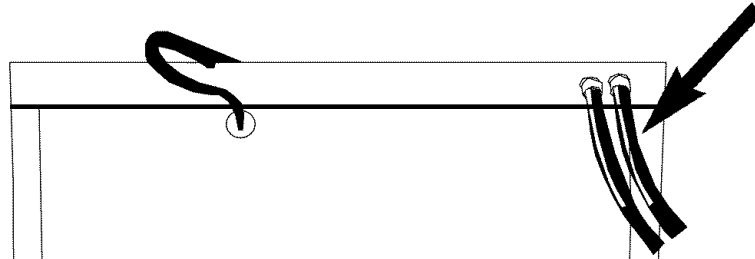
Caution: If, after completing these steps, you are unsure that unit is properly installed, contact a qualified installer. To ensure that your appliance is properly installed it is recommended that it be installed by a certified installer.

1. Insert a new flat washer into each end of the inlet hoses. Firmly put the washers in the coupling.

Note: You may have to use pliers to tighten the coupling. Do not over tighten because you may cause damage to the valve.

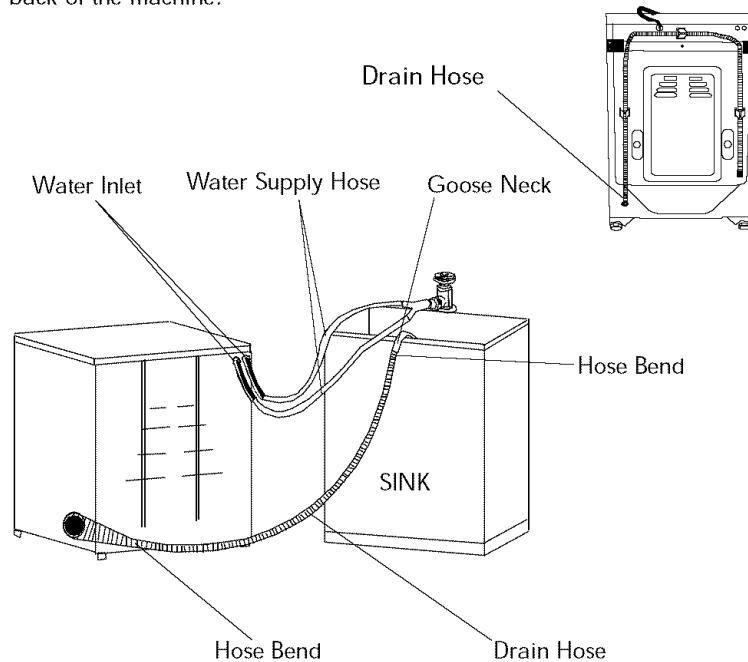


2. Connect the hot and cold water inlet hoses to the hot and cold water faucet.
3. Connect the other end to their respective washer inlet located at the rear.

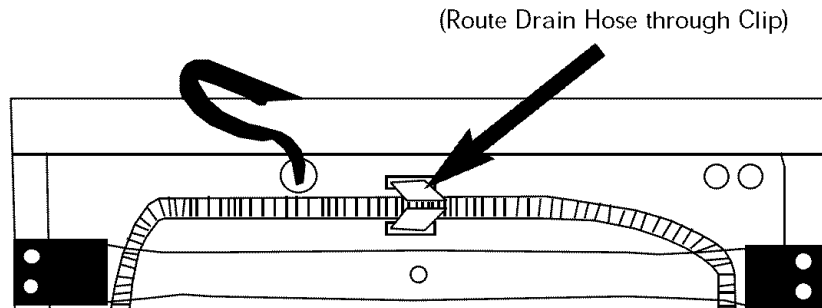


Note: Hot water needs to be at a temperature of at least 120°F – 140°F. (49°C- 60°C) for the soap to dissolve and to avoid soap residue remaining on clothes.

4. Install the drain hose into a drain pipe. The drain hose must be placed into a drainpipe at least 1 1/2 inches in diameter or directly into a sink. Use the "goose neck" to hold hose in place. To avoid possible water back up, the drain hose must reach height of at least 31 1/2 inches minimum and 40 inches maximum. If the sink is less than 37 1/2 inches in height, route drain hose through the clip on the back of the machine.



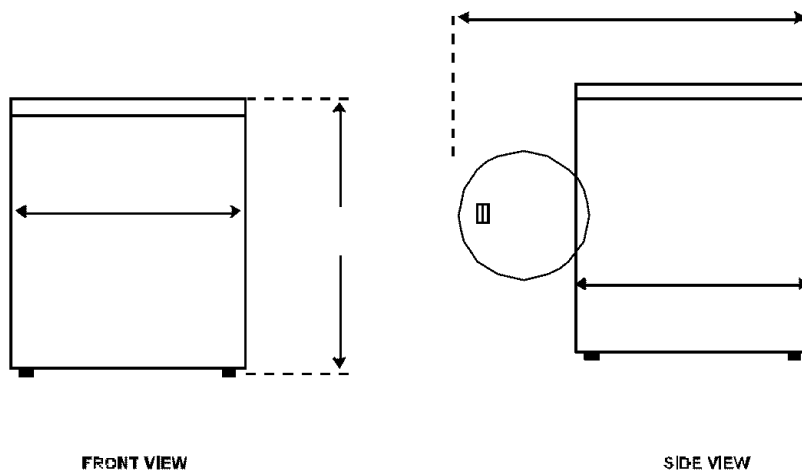
English



Note: Inspect carefully for any leaks around and back of the machine. If leak occurs, double check to see if any connections are loose. You may need to tighten any loose connections.

5. Plug in the Washer to a regular 115 volt / 60 Hz, 15 amp outlet.

Unit Dimensions



Electrical Connections

Grounding Instructions

This appliance must be grounded. In the event of an electrical short circuit, grounding reduces the risk of electric shock by providing an escape wire for the electric current. This appliance is equipped with a cord having a grounding wire with a grounded plug. The plug must be inserted into an outlet that is properly installed and grounded.

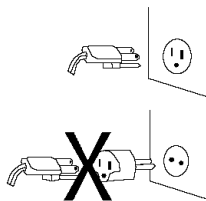


- Improper use of the plug can result in a risk of electric shock.
- Consult a qualified electrician or service person if the grounding instructions are not completely understood or if doubt exists as to whether the appliance is properly grounded.

Wiring Requirements:

- This appliance must be plugged into at least 15 AMP 115-120 VOLT, 60 HZ GROUNDED OUTLET.

Note: Where a standard two-prong outlet is encountered, it is the personal responsibility and obligation of the consumer to have it replaced with a properly grounded three-prong outlet.



Extension Cords:

We do not recommend that you use an extension cord.

Power Interruptions

Occasionally there may be power interruptions due to thunderstorms or other causes. Remove the power cord from AC outlet when a power outage occurs. When power has been restored re-plug power cord to AC outlet. If outage is for a prolonged period, clean washer before using it again.

Limited Warranty

In Home Service

Full ONE Year Warranty

For 12 months from the date of original retail purchase, Haier will repair or replace any part free of charge including labor that fails due to a defect in materials or workmanship.

Limited Warranty

After one year from the original retail purchase date, Haier will provide a part at no cost, as indicated below, to replace said part as a result of a defect in materials or workmanship. Haier is solely responsible for the cost of the part. All other costs such as labor, trip charge, etc are the responsibility of the owner.

Third through Fifth Year

Haier will provide the cabinet assembly should the cabinet rust through

Third through Tenth Year

Haier will provide the inner stainless steel wash tub.

NOTE: This warranty commences on the date the item was purchased and the original purchase receipt must be presented to the authorized service representative before warranty repairs are rendered.

Exceptions: Commercial or Rental Use Warranty

90 days labor from date of original purchase
90 days parts from date of original purchase
No other warranty applies

For Warranty Service

Contact your nearest authorized service center. All service must be performed by a Haier authorized service center. For the name and telephone number of the nearest authorized service center please call 1-877-337-3639.

Before calling please have available the following information:

Model number and serial number of your appliance. The name and address of the dealer you purchased the unit from and the date of purchase. A clear description of the problem. A proof of purchase (sales receipt).

This warranty covers appliances within the continental United States, Puerto Rico and Canada. What is not covered by this warranty:

Replacement or repair of household fuses, circuit breakers, wiring or plumbing.
A product whose original serial number has been removed or altered.

Any service charges not specifically identified as normal such as normal service area or hours.

Damage to clothing.

Damage incurred in shipping.

Damage caused by improper installation or maintenance.

Damage from misuse, abuse accident, fire, flood, or acts of nature.

Damage from service other than an authorized Haier dealer or service center.

Damage from incorrect electrical current, voltage or supply.

Damage resulting from any product modification, alteration or adjustment not authorized by Haier.

Adjustment of consumer operated controls as identified in the owners manual.

Hoses, knobs, lint trays and all attachments, accessories and disposable parts.

Labor, service transportation, and shipping charges for the removal and replacement of defective parts beyond the initial 12-month period.

Damage from other than normal household use.

Any transportation and shipping charges.

THIS LIMITED WARRANTY IS GIVEN IN LIEU OF ALL OTHER WARRANTIES, EXPRESSED OR, INCLUDING THE WARRANTIES OF MERCHANTABILITY AND FITNESS FOR A PARTICULAR PURPOSE

The remedy provided in this warranty is exclusive and is granted in lieu of all other remedies.

This warranty does not cover incidental or consequential damages, so the above limitations may not apply to you. Some states do not allow limitations on how long an implied warranty lasts, so the above limitations may not apply to you.

This warranty gives you specific legal rights, and you may have other rights, which vary, from state to state.

Haier America Trading L.L.C.
New York, NY 10018.

Français

CONSIGNES DE SECURITE IMPORTANTES

Avertissement – Afin de réduire les risques d’incendie, d’électrocution ou de blessures corporelles lors de l’utilisation de cet appareil, respecter les précautions élémentaires de sécurité, et en particulier:

1. **Lire l’ensemble des consignes avant d’utiliser l’appareil.**
2. Utiliser l’appareil uniquement pour l’usage auquel il est destiné, tel qu’il est décrit dans le présent manuel d’utilisation et d’entretien.
3. N’utiliser que des produits détergents ou assouplissants recommandés pour cet appareil, et conserver hors de portée des enfants.
4. Avant sa mise en service, cet appareil doit être installé correctement, en se conformant aux consignes d’installation.
5. Ne jamais débrancher l’appareil en tirant sur le cordon. Toujours saisir fermement la fiche et la retirer de la prise murale en tirant vers l’arrière.
6. Remplacer sans attendre les cordons usagés et les fiches ou les prises desserrées.
7. Débrancher votre appareil avant de procéder au nettoyage ou d’entreprendre une quelconque réparation.
8. Si vous n’utilisez plus votre ancien lave-linge, nous vous conseillons de démonter la porte. Vous diminuerez ainsi les risques potentiels pour les enfants.
9. Ne pas utiliser votre lave-linge en présence d’émanations explosives.
10. Ne pas utiliser l’appareil pour laver des vêtements imprégnés ou tachés par de l’essence, des solvants pour lavage à sec ou toute autre substance explosive ou inflammable - ou lavés avec eux - ces substances pouvant s’enflammer et provoquer une explosion.
11. Afin d’éviter les accidents, le linge ou les chiffons utilisés pour nettoyer les matières inflammables ou explosives ne doivent pas être passés au lave-linge avant que toute trace de ces matières ait disparu.
12. Ne pas ajouter ou mélanger au linge de substances inflammables ou explosives.
13. Ne pas essayer de retirer les vêtements lorsque le tambour est en mouvement. Attendre l’arrêt complet avant toute opération.
14. La porte du lave-linge doit être fermée lorsque le tambour est en rotation.
15. Ne pas utiliser votre lave-linge si certaines pièces manquent ou si elles sont endommagées.
16. Ne pas utiliser ce lave-linge pour le nettoyage commercial des vêtements.
17. Ne pas faire tourner le lave-linge si tous les panneaux de la carrosserie ne sont pas correctement en place.

18. Ne pas trafiquer les boutons.
19. Afin de réduire les risques de blessures, ne pas laisser les enfants jouer sur le lave-linge ou à l'intérieur. Lorsque le lave-linge est utilisé à proximité d'enfants, ces derniers doivent être surveillés avec attention.
20. Le lave-linge doit être branché à une prise électrique conforme ayant des caractéristiques électriques adéquates.
21. Afin de réduire les risques d'incendie et d'électrocution, il est obligatoire de relier correctement à la terre. **NE PAS COUPER NI RETIRER LA PRISE DE TERRE.** Si vous ne disposez pas d'une prise murale à trois fiches, faites installer une prise adéquate par un électricien qualifié. La prise murale doit **OBLIGATOIREMENT** être reliée à la terre.
22. Si vous n'avez pas utilisé le chauffage de l'eau de lavage pendant plus de quinze jours, cela peut entraîner une production d'hydrogène. Ceci pourrait dans certains cas provoquer des risques d'explosion. Si vous êtes dans ce cas, ouvrir tous les robinets et laisser l'eau chaude couler pendant quelques minutes avant d'utiliser le lave-linge. Cela permettra à l'hydrogène emprisonné dans la lave-linge de s'évacuer. L'hydrogène étant inflammable et risquant de provoquer une explosion, éviter de faire fonctionner un appareil électrique, de fumer, d'allumer une allumette ou un briquet ou d'utiliser une flamme nue afin d'éviter un accident lors de cette opération.
23. Ne pas mettre de vêtements au sèche-linge si vous avez auparavant utilisé de l'essence, des solvants pour nettoyage à sec ou d'autres produits inflammables ou explosifs pour les nettoyer, les laver, les faire tremper, ou s'ils ont été tachés par ces derniers, car ces substances produisent des émanations susceptibles de s'enflammer ou d'exploser.
24. Ne pas réparer ni changer une pièce quelconque de l'appareil, ni essayer d'en assurer l'entretien si cela n'est pas spécifiquement conseillé dans les consignes d'auto-dépannage que vous comprenez et que vous êtes capables d'effectuer vous-même.
25. Ne pas utiliser la fonction séchage à chaud pour des vêtements contenant de la mousse de caoutchouc ou des fibres similaires dont la texture s'apparente au caoutchouc.
26. Nettoyer le filtre avant et après chaque cycle de lavage.
27. Ne pas introduire de linge taché par les huiles de cuisson dans le sèche-linge. Le linge souillé par les huiles de cuisson peut contribuer à provoquer une réaction chimique qui pourrait mettre le feu au contenu du lave-linge.
28. Afin de réduire les risques d'électrocution ou d'incendie, ne pas utiliser de rallonge ou d'adaptateur pour raccorder l'appareil à la source électrique.

CONSERVER CES CONSIGNES POUR CONSULTATION ULTERIEURE

Français

DANGER

Un enfant peut rester coincé l'appareil ! Afin d'éviter qu'un enfant ne se retrouve pris au piège, démonter la porte de votre ancien lave-linge avant de vous en débarrasser.

Nous vous remercions d'avoir fait l'acquisition d'un produit Haier. Très pratique à utiliser, le présent Manuel vous guidera afin de tirer le meilleur parti de votre lave-linge séchant.

N'oubliez pas de prendre note du type et du numéro de série. Ils sont portés sur une étiquette située au dos de l'appareil.

Type d'appareil

Numéro de Série

Date d'achat

Agrafer votre ticket de caisse/facture sur votre manuel d'utilisation. **Il vous sera indispensable pour tout dépannage sous garantie.**

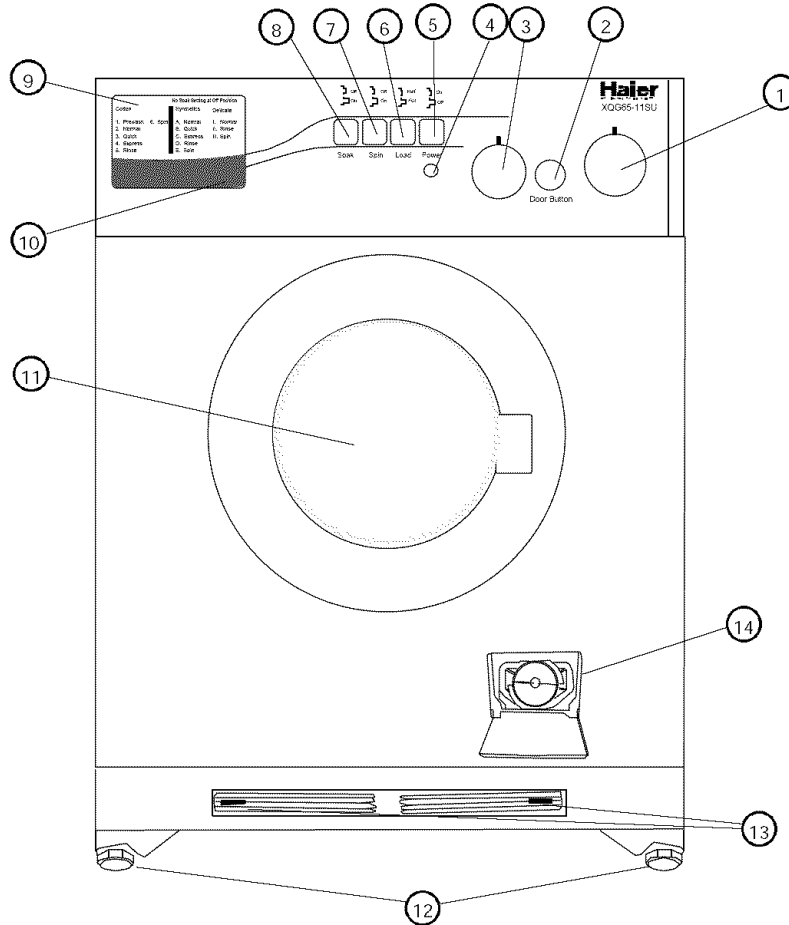
TABLE DES MATIERES

	PAGE
CONSIGNES DE SECURITE	1
FONCTIONNEMENT	5
Descriptif et Caractéristiques.....	5
Fonctionnement	7
Emissions Sonores Normales	16
Guide d'Entretien et de Nettoyage	16
Nettoyage et Maintenance.....	16
Déménagement et Absence Prolongée	17
Rangement du Lave-Linge dans un Environnement Froid	17
Dépannage	18
INSTRUCTIONS CONCERNANT L'INSTALLATION	21
Outils et matériel nécessaires	21
Déballage de votre lave-linge.....	22
Mise à niveau de votre lave-linge	23
L'Installation étape par étape	23
Branchements électriques	26
Mise à la terre	26
Coupures de courant.....	26
Garantie	27

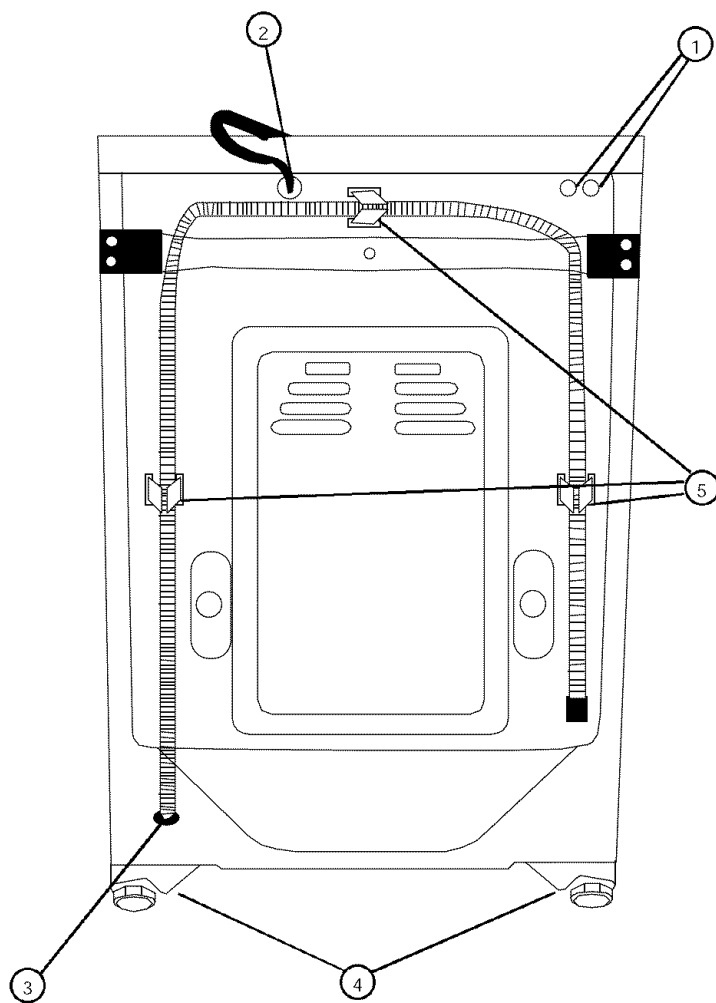
Français

FONCTIONNEMENT

Descriptif et Caractéristiques



- | | |
|---|--|
| 1. Programmateur de lavage | 9. Tableau des programmes de lavage |
| 2. Touche de commande de la porte | 10. Distributeur de lessive et d'as
souplissant |
| 3. Programmateur de Séchage | 11. Hublot de porte |
| 4. Témoin d'allumage | 12. Pieds réglables de mise à niveau
avant |
| 5. Touche Marche/Arrêt (ON/OFF) | 13. Bras de support des Roulettes |
| 6. Sélection de la vitesse de rinçage | 14. Filtre |
| 7. Marche/Arrêt du programme
d'essorage | |
| 8. Marche/Arrêt du programme de
trempage | |



- 1. Arrivées d'eau (chaude et froide)
- 2. Cordon d'alimentation (115 V/60 Hz)
- 3. Tuyau de vidange
- 4. Pieds de mise à niveau arrière
- 5. Clips de maintien des tuyaux

Français

Comment Fonctionne Votre Lave-Linge à Chargement Frontal

Ce type de machine est moins agressif pour votre linge car elle a un mode de fonctionnement qui supprime l'agitateur susceptible d'endommager les vêtements. L'absence d'agitateur sur ce type de lave-linge autorise un fonctionnement en douceur. Ce type de lave-linge est conçu pour réduire le coût de fonctionnement. Il effectue votre lavage en consommant moins d'eau et de lessive.

FONCTIONNEMENT

Bouton de Mise en Marche:

- Enfoncer ce bouton pour allumer votre lave-linge. Le voyant s'allume pour indiquer que l'appareil est sous tension. Relever ce bouton pour arrêter le lave-linge. Le voyant s'éteindra pour indiquer que l'alimentation est coupée.



Puissance

Sélection de la Vitesse de Rinçage:

- Enfoncer ce bouton si vous souhaitez réduire la quantité d'eau utilisée au cours du cycle de rinçage. Relever ce bouton si vous souhaitez utiliser la quantité d'eau maximale au cours du cycle de rinçage.



Chargement

Remarque: Half = Quantité minimale
Full = Quantité maximale

Sélection du Cycle d'essorage par Centrifugation:

- Relever ce bouton si vous souhaitez essorer votre linge au cours du cycle de lavage. Le linge sera plus sec si vous choisissez cette option.
- Si vous ne souhaitez pas essorer votre linge au cours du cycle de lavage, enfoncer ce bouton. Si vous choisissez cette option, seule l'eau en excès dans la cuve sera évacuée et le linge restera humide.



Essorage

Avantages du Cycle Sans Essorage:

- L'essorage par centrifugation peut provoquer le froissement excessif de certains tissus.
- Un essorage à grande vitesse peut s'avérer trop puissant pour certains vêtements fragiles. Cela pourrait provoquer leur déformation ou leur usure excessive.

Remarque: Lorsque la fonction essorage n'est pas utilisée ('OFF'), l'appareil ne passe pas automatiquement en mode séchage par centrifugation.

Remarque: Bouton enfoncé es Arrêt, Bouton relevé es Marche.

Sélecteur du Cycle de Trempage:

- Enfoncer le bouton pour supprimer le trempage. Relever le bouton pour lancer le trempage. Après le remplissage du lave-linge par l'eau de rinçage et la distribution du produit assouplissant, ce cycle effectuera le trempage du linge avant de terminer la phase de rinçage du cycle de lavage.



Imbibe

Commande de la Porte:

- Enfoncer ce bouton pour opérer l'ouverture de la porte. Ce lave-linge séchant est équipé d'un système de verrouillage intégré. Attendre 3 minutes après l'arrêt de l'appareil avant d'ouvrir la porte.

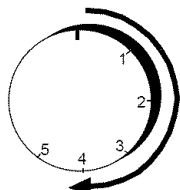


Bouton De Porte

Remarque: Si vous souhaitez ouvrir la porte en cours de cycle pour ajouter ou retirer du linge, enfoncez le bouton en position 'Arrêt' ('OFF'). Pour poursuivre le cycle à l'endroit de l'arrêt, refermez simplement la porte et relevez le bouton en position 'Marche' ('On').

Français**Cycle de Lavage**

- Avant de commencer le lavage, lire attentivement le tableau des programmes de lavage concernant le type de vêtements à laver. Il se trouve dans le coin en haut à droite sur la façade de votre lave-linge.



Remarque: Pour sélectionner le cycle désiré, tourner le bouton **DANS LE SENS DES AIGUILLES D'UNE MONTRE**.

Vous trouverez ci-dessous le tableau des programmes de lavage.

Coton	Synthétiques	Tissus délicats
1-Prélavage	A-Normal	I-Normal
2-Normal	B-Rapide	II-Rinçage
3-Rapide	C-Express	III-Essorage
4-Express	D-Rinçage	
5-Rinçage	E-Essorage	

- Choisir le cycle approprié de 1 à 4 pour les vêtements de coton, de A à C pour les tissus synthétiques ou I pour les tissus fragiles sur le sélecteur de programme.

Pour sélectionner le programme approprié, procéder dans l'ordre suivant:

1. Choisir le cycle approprié - numéro, lettre ou chiffre romain - sur le tableau des programmes.
2. Tourner le programmateur dans le sens des aiguilles d'une montre pour l'amener en face du symbole correspondant. Vérifier l'alignement avec le symbole situé sur le tableau de commande.
3. Relever le bouton sur la position 'Marche' ('ON').

Cycle Coton:

Prélavage: Ce cycle est utilisé pour effectuer un prélavage sur des vêtements très sales avant de lancer le cycle normal. Il est programmé de manière à enchaîner automatiquement les modes Cycle Normal → Cycle Rapide → Cycle Express, y compris le rinçage et l'essorage, afin de terminer le lavage. Si l'on choisit ce cycle, sa durée normale est de 147 Minutes.

Cycle Normal: Il s'utilise pour les vêtements de travail et de loisirs, le linge de ménage, normal ou peu sale, ainsi que les vêtements en coton. Ce cycle dure environ 130 minutes.

Cycle Rapide: S'utilise pour une demi-charge ou un linge peu sale qui doit être lavé rapidement. La durée de ce cycle est d'environ 80 minutes.

Cycle Express: S'utilise également pour une demi-charge ou un linge peu sale qui doit être lavé rapidement. La durée de ce cycle est d'environ 60 minutes.

Synthétiques:

Cycle Normal: Il s'utilise pour les vêtements à plis permanents, ainsi que pour les tissus en soie, en laine, en nylon ou en acrylique. Ce cycle dure environ 60 minutes.

Cycle Rapide: S'utilise pour une demi-charge ou un linge peu sale qui doit être lavé rapidement. La durée de ce cycle est d'environ 45 minutes.

Cycle Express: Ce cycle est identique au cycle rapide à l'exception de la durée. Celle-ci est d'environ 40 minutes.

Cycle Tissus Délicats:

Cycle Normal: Ce cycle s'utilise pour les tissus délicats, qui la plupart du temps sont lavés à la main. La durée de ce cycle est d'environ 30 minutes.

Remarque: Si le cycle Essorage est en position 'Arrêt' ('OFF') avant le début d'un cycle de lavage, le lave-linge passera automatiquement aux phases de vidange et d'arrêt. De même, l'appareil ne passe pas automatiquement en mode séchage.

Français

Températures

La température de l'eau est pré-réglée, de sorte que lorsque vous sélectionnez un programme de lavage, la température est ajustée automatiquement à la charge concernée.

Veuillez consulter le tableau ci-dessous pour connaître la température qui convient à chaque programme:

Programme	Température
Coton	
Prélavage	Froid
Normal	Chaud
Rapide	Tiède
Express	Froid
Rinçage	Froid
Synthétiques	
Normal	Tiède
Rapide	Tiède
Express	Froid
Rinçage	Froid
Tissus délicats	
Normal	Froid
Rinçage	Froid

Remarque: Pour que la lessive se dissolve et afin d'éviter qu'elle ne laisse des traces sur les vêtements, la température de l'eau chaude doit être comprise entre 49° et 60°C (120 et 140 F). Si la température de l'eau n'atteint pas le niveau ci-dessus lors du lavage, il convient de régler le chauffage de l'eau pour maintenir la température.

Chargement du lave-linge:

- Charger le linge dans le lave-linge sans le tasser.
- Séparer le blanc de la couleur. Séparer les vêtements lourds des vêtements légers.
- Vérifier que toutes les poches soient vides et retirer les boutons de manchettes. Les petits objets peuvent facilement tomber dans la cuve et l'endommager.
- Pour un résultat optimum, traiter les taches des vêtements les plus sales avant de les introduire dans le lave-linge.
- Ne pas surcharger le lave-linge.
- Bien fermer la porte après avoir chargé le lave-linge.

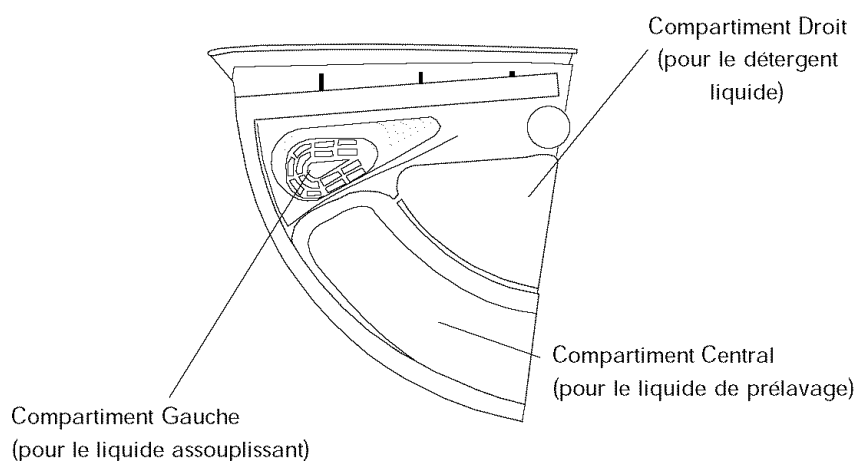
Utilisation Correcte du Distributeur de Produits:

Le distributeur de lessive et d'assouplissant est situé sur l'angle supérieur gauche du lave-linge. Tirer sur le distributeur pour l'ouvrir. Vous remarquerez trois compartiments.

Compartiment Central: Il est destiné à recevoir le liquide de prélavage. On l'utilise lorsque l'on souhaite effectuer un pré lavage sur des vêtements très sales avant de lancer le cycle de lavage proprement dit.

Compartiment Droit: Il est destiné à recevoir le détergent liquide utilisé pour le cycle de lavage proprement dit.

Compartiment Gauche: Il est destiné à recevoir le liquide assouplissant.



Utilisation Correcte de l'Assouplissant:

- Verser le liquide assouplissant dans le compartiment gauche en suivant les recommandations du fabricant.
- Afin d'éviter le débordement, ne pas dépasser le niveau indiqué dans le compartiment.

Français

Utilisation correcte du liquide détergent:

Dans un lave-linge à chargement frontal, il est recommandé d'utiliser un détergent peu moussant. Ce type de détergent évite à votre machine les dégâts que peut provoquer un excès de mousse dans la partie condensation.

Remarque: Vous pouvez utiliser une quantité plus ou moins grande de détergent selon l'importance de la charge, selon la nature de l'eau - son degré de dureté - dans votre région, ou si le linge est plus ou moins sale. En plus des performances du lave-linge, la qualité du détergent a également une influence sur la qualité du lavage obtenu.

Avertissement:

- Ne verser jamais l'assouplissant pour textiles sur les vêtements; cela pourrait les tacher ou laisser des traces.
- Ne pas utiliser d'assouplissant en poudre dans le distributeur sous peine de l'obstruer. Ce distributeur est conçu uniquement pour la présentation liquide.

Fonctionnement du Séchage:

- Le séchage est du type "**à condensation**", ce qui signifie que la présence d'une sortie aérienne n'est pas nécessaire. Au cours du séchage, la vapeur d'eau produite par les vêtements est condensée par l'appareil et évacuée sous forme liquide par le tuyau d'évacuation. L'appareil n'utilise qu'une faible quantité d'eau qui est délivrée automatiquement par le tuyau d'arrivée d'eau. On entend l'eau arriver lors du cycle de séchage.
- Ce système sans sortie aérienne permet d'encastrer le lave-linge séchant soit sous un plan de travail, pour donner l'apparence d'un élément intégré, soit dans tout autre endroit fermé. Il n'est pas nécessaire de veiller à l'évacuation de l'air chaud de la pièce où il est installé.

Remarque: Le séchage avec ce type d'appareil se déroule différemment de celui des appareils que vous avez peut-être utilisés par le passé. Les gros appareils ménagers et ceux des laveries fonctionnent sur le 220 V, ce qui fournit plus de courant et permet de raccourcir les temps de séchage. Votre lave-linge séchant fonctionne sur le 115 V, ce qui fournit moins de courant et donc augmente les temps de séchage.

- Vous pouvez programmer le temps de séchage jusqu'à 120 minutes. Vous trouverez ci-dessous les températures et les temps de séchage recommandés pour différents types de vêtements :

Temps de séchage	Température	Types de vêtements
90 à 120 minutes	Élevée	Jeans, serviettes, etc.
60 à 80 minutes	Moyenne	Linge léger tels que draps, jupes, chaussettes, etc.
40 à 50 minutes	Basse	linge léger tel que bas, nylon, etc.

Remarque: Dans le cas d'une pleine charge, il est possible de retirer le tiers ou la moitié du linge et de sécher le reste à part. Ce sera une manière efficace d'effectuer le séchage, et cela prendra moins longtemps. Pour les charges incomplètes, il est possible de réduire le temps de séchage. Cela évitera à votre linge un séchage excessif.

Fonctionnement Manuel du Programme de Séchage:

- Pour lancer manuellement le séchage, il suffit de charger la machine avec le linge humide, de tourner "le bouton de programmation du séchage" sur le temps désiré et d'enfoncer le bouton de mise en marche 'ON'.

Remarque: : Lors de l'utilisation du séchage, laisser le bouton du programme de lavage sur la position 'Arrêt' ('OFF') afin que le programme de séchage soit en position 'Marche' ('ON').

Fonctionnement Automatique du Programme de Séchage:

- Pour un fonctionnement automatique, il suffit de tourner le bouton du programme de séchage sur le temps souhaité au début du programme de lavage. Lorsque le lavage est terminé, le séchage démarre automatiquement.

Remarque: Le séchage ne démarrera pas automatiquement si l'essorage est en position 'Arrêt' ('OFF'). Pour que l'appareil passe automatiquement du programme de lavage au programme de séchage, le bouton du programme d'essorage doit être en position 'Marche' ('ON').

Remarque: En pleine charge, nous vous conseillons de laisser le programme d'essorage en position 'Arrêt' ('OFF') pour empêcher l'appareil de passer automatiquement en mode séchage à la fin du cycle si le programme d'essorage était en position 'Marche' ('ON'). Cela vous offrira la possibilité de retirer le tiers ou la moitié de la charge et de sécher le reste. L'avantage tient au fait que votre linge séchera plus uniformément et plus rapidement.

Chargement du Sèche-Linge:

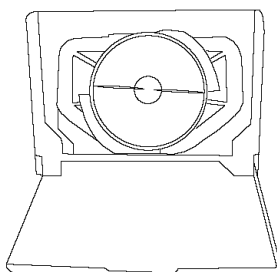
1. Trier les vêtements en vue du séchage. Séparer la couleur comme pour le lavage. La chaleur du sèche-linge peut rendre indélébile certaines taches. Des vêtements correctement séchés donneront moins de travail à la sortie du sèche-linge.
2. Charger le sèche-linge avec le linge lavé. Pour un résultat optimal, introduire dans le sèche-linge des vêtements dont le poids, le tissu et la fabrication sont similaires. Placer les petits articles dans un filet pour éviter qu'ils ne s'emmêlent. Ne pas surcharger le sèche-linge. Ajouter si vous le désirez du liquide assouplissant.
3. Programmez le temps de séchage en fonction du type de tissu et de l'importance de la charge.
4. Attendre la fin du programme de séchage pour ouvrir la porte.

Français

Remarque: Ne pas trop sécher vos vêtements. Un séchage excessif peut provoquer le rétrécissement, le durcissement et le froissement du tissu.

Filtre à Fibres

- Le filtre est situé dans le coin en bas à droite derrière la petite trappe. Appuyer sur la trappe pour l'ouvrir. Pour extraire le filtre, tourner le bouton dans le sens inverse des aiguilles d'une montre. Le filtre sera déverrouillé. Pour le remettre en place, tourner dans le sens des aiguilles d'une montre. Le filtre sera verrouillé.
- Veuillez nettoyer le filtre avant et après chaque utilisation, mais ne le retirez pas pour quelle que raison que ce soit lorsque l'appareil fonctionne.



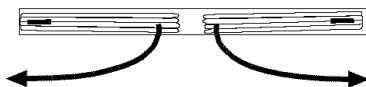
Le Piège de Bouton

Le Piège de bouton est conçu pour recueillir de petits objets tel que le bouton, les pièces, etc. Comme ceci peut arriver très rarement, nous recommandons pour vérifier le piège non plus que deux fois par an. Le Piège de bouton est derrière localisé la ouverture en matière plastique sur le devant inférieur droit de la machine. Si vous avez besoin d'à l'accès, simplement retirer les roulettes vers vous. Enlève le devant en matière plastique couverture, tord le bouton opposé dans le sens des aiguilles d'une montre position et retire il. Après avoir vidé il hors, remplacer il soutient en le tordant dans le sens des aiguilles d'une montre.

Remarque: Placer la casserole peu profonde sous le piège qui ouvre comme petit quantité d'eau peut décharger.

Roulettes

Pour vous faciliter la tâche, votre machine est équipée de roulettes de transport pour vous permettre de la déplacer où vous voulez. Ces roulettes sont situées en bas à droite et à gauche à l'avant de la machine. Introduire les deux mains dans la petite fente où sont logés les bras des roulettes. Il suffit de les tirer vers soi. Lorsque la machine est arrivée au bon endroit, repoussez simplement les bras en position rentrée.



Emissions Sonores Normales

Lors du fonctionnement du lave-linge, il est normal d'entendre les bruits suivants:

- Bruits de chute : Ceci est normal, car les vêtements trempés et alourdis sont constamment brassés.
- Sifflements d'air : Ils se produisent lorsque le tambour du lave-linge tourne à grande vitesse.
- L'alternance des cycles de lavage et de rinçage produit également de légers cliquetis.

Guide d'Entretien et de Nettoyage

Attention: Afin d'éviter les risques d'électrocution, toujours débrancher le lave-linge avant de le nettoyer. Le non respect de ces instructions peut entraîner des blessures ou provoquer la mort. Avant d'utiliser des produits de nettoyage, veuillez consulter les instructions et les recommandations du fabricant, afin d'éviter les blessures et de ne pas endommager l'appareil.

Nettoyage et Entretien

Pour nettoyer le panneau de contrôle, utiliser uniquement un chiffon humide ou imprégné d'eau savonneuse

- Afin d'éviter toute dégradation de la peinture de la carrosserie, essuyer si nécessaire le lave-linge. Dans le cas où celui-ci entrerait en contact avec un agent assouplissant liquide ou en poudre, de l'eau de Javel ou un détergeant, essuyer immédiatement le lave-linge afin d'éviter d'endommager la peinture.
- Ne pas utiliser de produits chimiques forts et abrasifs, d'ammoniaque, d'eau de Javel chlorée, de produits détergents concentrés, de solvants ou de tampons à récurer métalliques. Certains de ces produits chimiques pourraient dissoudre, endommager, et/ou décolorer la peinture de votre lave-linge.
- Retirer les aiguilles et autres objets pointus des vêtements car ceux-ci risqueraient de rayer les parties intérieures de la machine.
- Nous suggérons que vous vérifiiez le piège de bouton non plus que deux fois par an. Ne pas utiliser la rondelle sans le piège de bouton A sa place.
- Le distributeur de détergeant dispose d'un compartiment amovible. A la longue, ce compartiment peut être encombré par du détergeant desséché, de la saleté ou des débris. Il est nécessaire de retirer et de rincer ce compartiment sous le robinet, ou d'éliminer les débris à l'aide d'une brosse douce.

Français

Déménagement et Absence Prolongée

- Eteindre les robinets d'arrivée d'eau et débrancher les tuyaux. Vidanger l'ensemble des tuyaux. Ceci permet d'éviter d'endommager l'appareil par suite de fuites d'eau provoquées par la rupture accidentelle ou le desserrage des tuyaux.
- Débrancher la prise électrique.
- Sécher l'intérieur de la cuve. Pour le cas où vous souhaiteriez déplacer le lave-linge, débrancher le tuyau de vidange.
- Visser à fond les pieds de mise à niveau dans le sens des aiguilles d'une montre.
- Remonter les boulons et les entretoises de transport à l'arrière de l'appareil, afin d'éviter que les organes internes de la machine ne subissent des secousses durant le déplacement du lave-linge.
- Afin d'éviter les moisissures, laisser le couvercle ouvert pour que l'humidité contenue à l'intérieur de la machine puisse s'échapper.

Rangement du Lave-Linge dans un Environnement Froid

- Le lave-linge doit être rangé à température ambiante.
- Si le lave-linge vient d'être livré et que la température extérieure est en dessous de zéro, veuillez patienter jusqu'à ce que le lave-linge ait atteint la température ambiante.
- Ne pas installer ou faire fonctionner le lave-linge si la température de la pièce est en dessous de zéro.

Dépannage

Le Lave-Linge ne Fonctionne Pas:

- Vérifier que l'appareil est bien branché. La prise peut s'être desserrée.
- Vérifier que la prise électrique murale soit bien au voltage qui convient.
- Vérifier que le disjoncteur n'ait pas disjoncté ou que les fusibles n'aient pas fondu.
- L'appareil est en mode 'Arrêt' ('Off').
- Le lave-linge est surchargé : la charge doit être rééquilibrée et les vêtements mieux répartis dans la machine.
- La porte est ouverte. Elle doit être fermée correctement.
- Vérifier que le bouton de commande soit bien sur le programme qui convient. Il peut s'avérer nécessaire de régler la position du bouton.
- Le lave-linge marque des pauses durant certains cycles de lavage. Ceci est normal dans le cas des programmes 'délicats' et 'lavage à la main' qui comportent des temps de trempage réduits au cours lesquels le linge ne subit qu'un trempage très bref. Le lave-linge reste donc silencieux pendant ces courtes périodes d'arrêt. Lorsque le temps de trempage est écoulé, le programme reprend alors automatiquement.

Problèmes Relatifs à L'eau:

- La quantité d'eau qui sort n'est pas suffisante : Le robinet d'eau n'est peut-être pas ouvert à fond. Les tuyaux peuvent être emmêlés ou coudés. Remettez-les droit. Vérifier le niveau d'eau sélectionné, et modifiez-le si nécessaire.
- La température de l'eau n'est pas la bonne : Vérifier la température de chauffage de l'eau. L'eau chaude doit être à une température d'au moins 49° à 60°C (120 à 140°F). Vérifier que les tuyaux intérieurs soient connectés comme il se doit (ex : chaud à chaud et froid à froid).
- Fuites d'eau : Les fuites se produisent lorsque le tuyau d'écoulement ou les tuyaux de remplissage sont mal installés. Il est possible que vos canalisations soient bouchées, ou qu'elles subissent une pression d'eau constante. Il peut s'avérer nécessaire de resserrer les tuyaux, de vérifier la plomberie, ou d'appeler un plombier.
- L'eau est évacuée avant la fin du cycle: Ceci se produit lorsque l'on ouvre la porte en milieu de cycle.
- L'eau ne s'écoule pas : Le tuyau d'écoulement est mal installé. Raccorder ce tuyau correctement. Vérifier la position du tuyau d'évacuation. Afin que l'eau s'écoule normalement, veiller à ce que la sortie d'écoulement ne soit pas située à moins de 1,2 m (4 pieds) au-dessus du sol.

Français

Le Lave-Linge Fait du Bruit:

- Il peut s'avérer nécessaire de réinstaller le lave-linge. (Se reporter au chapitre concernant l'installation du lave-linge).
- Il peut être nécessaire de mieux répartir la charge si cette dernière s'avère irrégulière.
- Les pièces de monnaie, les boutons, et autres objets lourds peuvent faire du bruit (consulter le Guide d'Utilisation - Bruits d'utilisation normale).
- Grincements: Ils sont causés par la présence d'une trop grande quantité de linge dans la machine.
- Vibrations: Elles sont dues au fait que le lave-linge n'est pas de niveau et que les vêtements sont mal répartis dans la cuve.

Problèmes Relatifs aux Vêtements:

- Les vêtements sont trop froissés: Il n'ont pas été triés correctement, la machine a été surchargée et ils ont été lavés de nombreuses fois à l'eau trop chaude. Éviter de surcharger l'appareil et trier à nouveau le linge. Ne pas mélanger les vêtements lourds tels que des vêtements de travail, et des vêtements légers tels que les chemisiers, les chemises légères et les articles délicats. Il peut s'avérer nécessaire de laver ces articles à l'eau tiède ou froide.
- Traces de lessive: La lessive ne se dissout pas correctement dans l'eau. Vérifier la température de l'eau ou ajouter la lessive au moment où la cuve se remplit d'eau, avant de charger les vêtements dans la machine, afin d'éviter les traces de lessive sur les vêtements.
- Vêtements présentant des petites marques ou des taches: Ceci est dû à une mauvaise utilisation de l'assouplissant pour textiles. Veuillez consulter les instructions mentionnées sur le container, et suivre les indications concernant l'utilisation de l'assouplissant.
- Les vêtements deviennent gris ou jaunâtres: Veiller à utiliser suffisamment de lessive lorsque la quantité de linge à laver est importante. Ajouter davantage de lessive.
- Les vêtements ont des accrocs, sont déchirés ou usés de façon excessive: Ceci est causé par la présence d'objets pointus tels que des aiguilles ou des boucles de ceinture oubliés dans les poches. Retirer tous les petits objets pointus. Attacher les ceintures, fermer les fermetures éclair, les boutons pression, etc. Veiller à bien utiliser de l'eau de Javel diluée. Ne jamais verser d'eau de Javel non diluée dans le lave-linge.

Le Sèche-Linge ne Fonctionne Pas:

- Vérifier que l'appareil est bien branché. La prise peut s'être desserrée.
- Vérifier que le disjoncteur n'ait pas disjoncté ou que les fusibles n'aient pas besoin d'être remplacés.
- L'appareil est en mode 'Arrêt' ('Off'). Appuyer de nouveau sur le bouton de mise en marche 'ON'.
- Vérifier la fermeture de la porte.

L'Appareil Fonctionne, Mais il ne Sèche Pas:

- Il est en surcharge. Le tambour du sèche-linge ne doit pas être rempli à plus de la moitié.
- Vérifier si le filtre est propre et s'il n'est pas obstrué.
- Le linge doit être trié de nouveau. Séparer les gros vêtements des vêtements plus légers.
- Il peut s'avérer nécessaire de placer différemment les vêtements lourds.
- Si le séchage est irrégulier, utiliser un programme plus puissant ou redistribuer les vêtements à l'intérieur du sèche-linge.

Le Sèche-Linge Fait du Bruit lors du Séchage:

- Ce bruit pourrait être provoqué par la présence de pièces de monnaie, de boutons ou d'autres objets lourds.
- Il peut être nécessaire de remettre l'appareil de niveau. Consulter le Guide d'Utilisation, à la section : Bruits émis en utilisation normale.

Electricité Statique:

- Due à un séchage excessif. Utiliser un programme de séchage plus court.
- Mélange avec un tissu synthétique. Trier et séparer les différents types de tissus.
- Utiliser un assouplissant.

Français

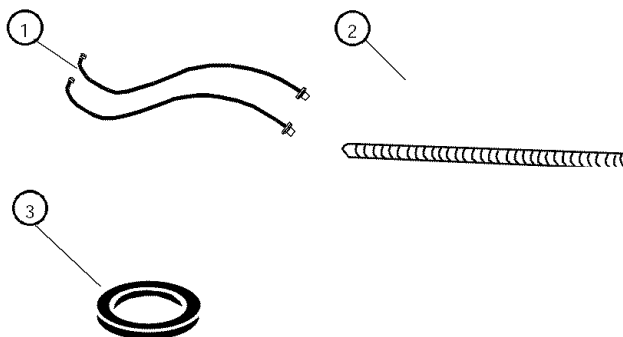
INSTRUCTIONS CONCERNANT L'INSTALLATION

Outils et Matériaux Nécessaires

Les outils suivants sont nécessaires pour installer votre lave-linge:

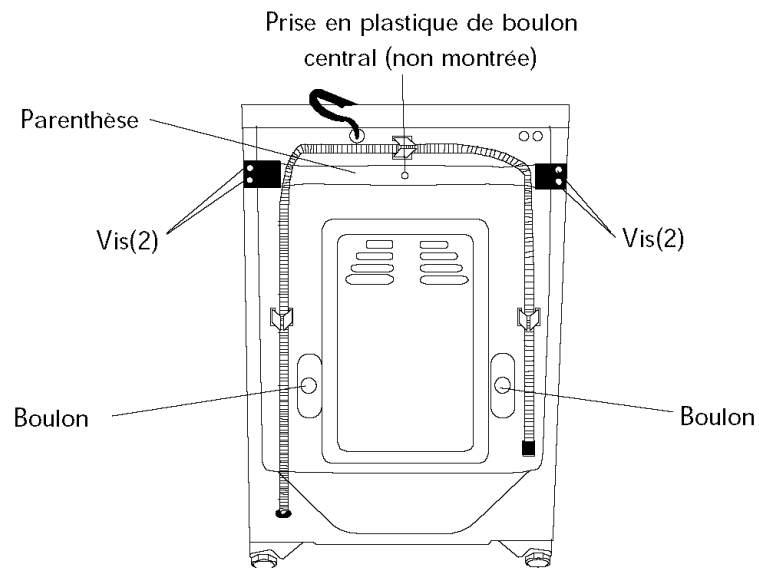
- Ciseaux
- Tournevis cruciforme
- Tournevis normal
- Pincettes
- Clé
- Mètre ruban
- Gants
- Niveau

Accessoires fournis	Quantité
1. Tuyaux d'arrivée d'eau chaude et froide	2
2. Tuyau de vidange	1
3. Rondelles plates pour les tuyaux d'arrivée	4



Déballage de l'Appareil

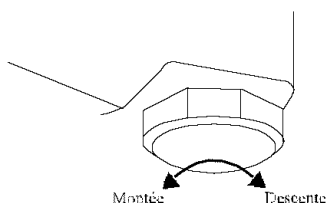
- Retirer l'ensemble des emballages, y compris les boulons et les entretoises de transport, ainsi que le ruban adhésif maintenant les accessoires du lave-linge à l'intérieur et à l'extérieur de l'appareil.
- Avant d'utiliser le lave-linge, rechercher et éliminer tous les restes d'emballage, de ruban adhésif ou d'étiquetage.
- Dévisser les 2 boulons, les 4 vis et le boulon central qui maintient l'entretoise fixée à l'arrière de l'appareil, et dont le rôle est de protéger le tambour les composants internes au cours du transport. (Une clé est livrée dans le sachet contenant le Manuel d'Instructions.)
- Les boulons et les vis doivent être dévissés avant d'utiliser la machine. Conservez-les afin de pouvoir remonter les protections sur la machine lors d'un transport.
- Après avoir déposé l'entretoise, revisser les boulons de l'entretoise, le boulon central et le cache plastique pour éviter d'endommager la machine.



Français

Mise à Niveau de l'Appareil

- Votre lave-linge est muni de 4 pieds de mise à niveau situés aux quatre coins sous la machine. Après avoir installé votre lave-linge à sa place définitive, vous pouvez procéder à sa mise à niveau.
- Le réglage des pieds de mise à niveau s'effectue en les faisant tourner dans le sens inverse des aiguilles d'une montre pour relever le niveau de l'appareil, ou dans le sens des aiguilles d'une montre pour le baisser.



L'Installation Étape par Étape

Choisir pour cet appareil un emplacement adéquat sur une surface stable à l'abri de la lumière du soleil ou de toute source de chaleur telle qu'un radiateur, un chauffage bas, une cuisinière, etc. Corriger tout défaut du sol à l'aide des pieds de mise à niveau situés sous le lave-linge. L'appareil doit être situé dans un endroit à température ambiante. Ne pas placer le lave-linge dans un endroit où la température est inférieure à zéro.

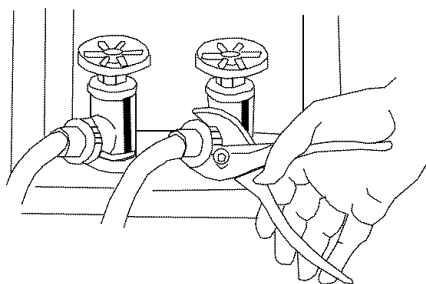
Installation du Lave-Linge:

Lire attentivement les instructions avant d'installer le lave-linge.

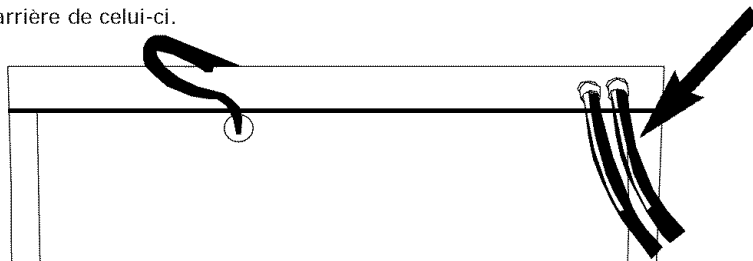
Attention: Si, après avoir terminé ces étapes d'installation, vous n'êtes pas sûr d'avoir installé l'appareil correctement, veuillez contacter un installateur qualifié. Pour être certain que le lave-linge soit installé correctement, il est recommandé de le faire installer par un installateur qualifié.

1. Insérer une rondelle plate neuve dans chaque extrémité des tuyaux d'arrivée. Fixez solidement les rondelles dans le raccordement.

Remarque: Il peut s'avérer nécessaire d'utiliser une pince pour effectuer le serrage du raccordement. Ne pas trop serrer sous peine d'endommager la soupape.

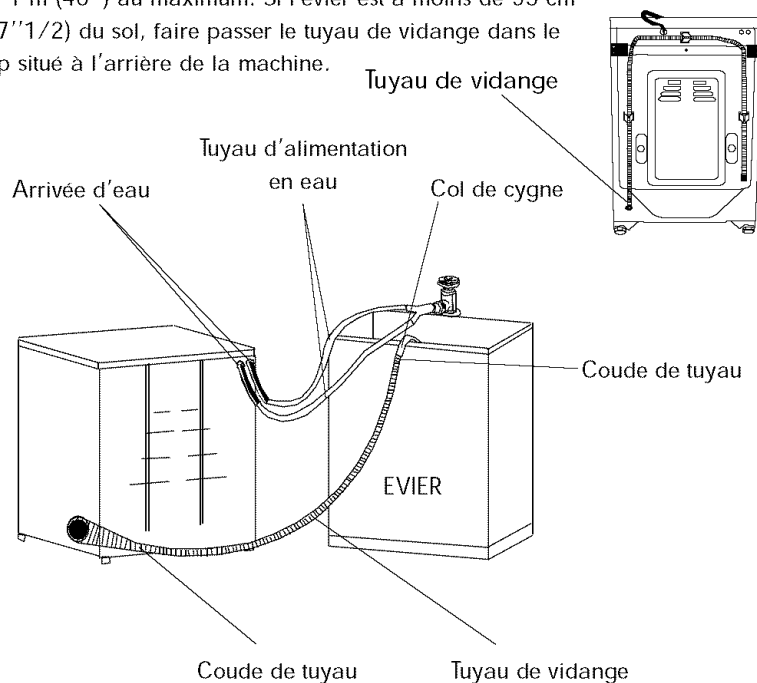


- Raccorder les tuyaux d'alimentation en eau chaude et en eau froide aux robinets d'eau chaude et d'eau froide.
- Connecter l'autre extrémité à l'arrivée d'eau correspondante du lave-linge, située à l'arrière de celui-ci.



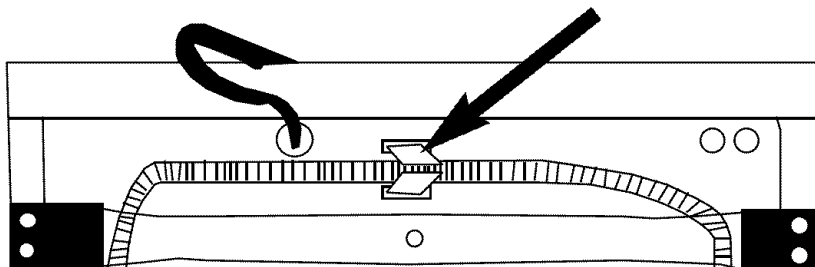
Remarque: L'eau chaude doit être à une température minimum de 49° à 60°C (120 à 140°F) pour que la lessive puisse se dissoudre et éviter qu'elle ne laisse des traces sur les vêtements.

- Insérer le tuyau de vidange dans un tuyau d'écoulement vers l'extérieur. Le tuyau de vidange doit être raccordé à un tuyau d'écoulement d'un diamètre au moins égal à 4 cm (2''1/2), ou se déverser directement dans un évier. Utiliser le col de cygne pour maintenir le tuyau en place. Pour éviter un éventuel refoulement, le tuyau de vidange doit arriver à une hauteur de 80 cm (31''1/2) au minimum et de 1 m (40'') au maximum. Si l'évier est à moins de 95 cm (37''1/2) du sol, faire passer le tuyau de vidange dans le clip situé à l'arrière de la machine.



Français

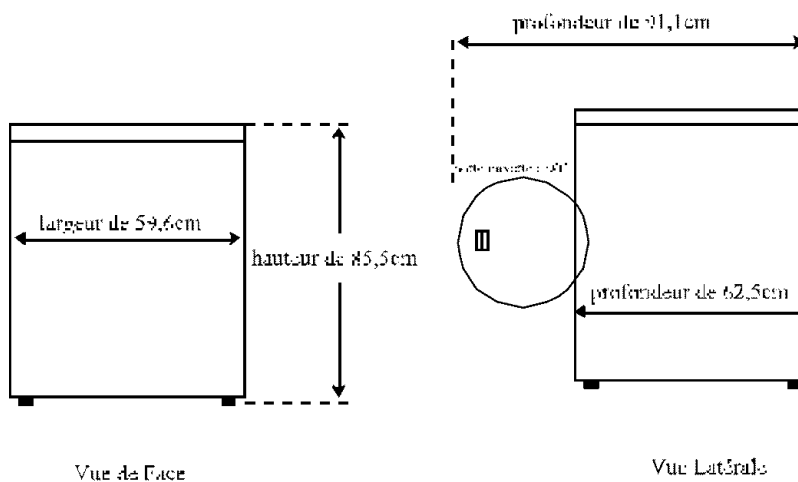
Passer le tuyau de vidange dans ce clip



Remarque: Vérifier soigneusement qu'il n'y ait aucune fuite sur les côtés ou à l'arrière de la machine. Si cela arrive, vérifier également qu'aucun branchement n'est desserré. Il peut s'avérer nécessaire de resserrer un branchement défectueux.

5. Brancher le lave-linge à une prise normale de 115 volts/60Hz, 15 ampères.

Cotes de l'Appareil



Raccordements Électriques

Instructions Concernant la Mise à la Terre

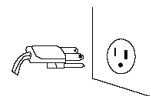
Cet appareil doit être mis à la terre. Dans le cas où un court-circuit se produirait, la mise à la terre permet de réduire les risques d'électrocution grâce au fil qui permet au courant de s'échapper. Cet appareil est équipé d'un cordon comportant un fil neutre et une prise de terre. La prise doit être branchée à une prise murale correctement installée et reliée à la terre.



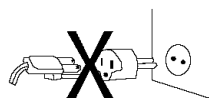
- Une utilisation non conforme de la prise peut entraîner un risque d'électrocution.
- Dans le cas où vous n'auriez pas parfaitement compris les instructions de mise à la terre, ou si vous n'êtes pas sûr que l'appareil soit relié à la terre correctement, consultez un électricien ou un réparateur qualifié.

Conditions à respecter lors du branchement:

- Cet appareil doit être raccordé à une prise murale d'au moins 15 ampères, 115 volts, 60 Hz AVEC MISE A LA TERRE.



Remarque: Dans le cas d'une prise standard 2 fils, son remplacement par une prise 3 fils équipée d'une mise à la terre conforme est de la responsabilité du consommateur et constitue pour lui une obligation.



Rallonges Électriques:

Nous ne conseillons pas d'utiliser une rallonge électrique.

Coupures de courant

Des coupures de courant peuvent se produire, provoquées par l'orage ou d'autres causes. En cas de coupure de courant, débrancher le cordon d'alimentation de la prise CA. Lorsque l'électricité revient, rebrancher le cordon d'alimentation dans la prise CA. Si la coupure de courant se prolonge, nettoyer le lave-linge avant de l'utiliser à nouveau.

Garantie limitée

Garantie de UN an sur site

Haier s'engage à réparer ou remplacer toute pièce sans frais, y compris les frais de main d'œuvre engendrés par des défauts de matériaux ou de main d'œuvre, pendant un délai de 12 mois.

Garantie limitée

Au bout d'un délai de un an à compter de la date d'achat du produit, Haier s'engage à fournir les pièces sans frais, tel qu'il est indiqué ci-dessous, dans le cas d'une pièce défectueuse dont le défaut provient des matériaux ou de la main-d'œuvre. Le coût de ces pièces est à la charge unique de Haier. Les coûts autres, tels que les frais de main-d'œuvre, de déplacement, etc., sont à la charge du propriétaire de l'équipement.

De la troisième à la cinquième année:

Haier fournit également le tambour si celui-ci vient à rouiller.

De la troisième à la dixième année:

Haier s'engage à fournir la cuve interne en acier inoxydable.

Remarque: La présente garantie est applicable à compter de la date d'achat du produit, dans la mesure où le ticket de caisse d'origine est présenté au représentant autorisé avant d'effectuer les réparations nécessaires.

Exceptions: Garantie pour usage commercial ou location

90 jours pour la main d'œuvre à partir de la date d'achat d'origine. Exclue les frais de maintenance sur site.

90 jours pour les pièces à partir de la date d'achat d'origine. Aucune autre garantie n'est applicable.

Services sous garantie

Contactez le centre de réparation agréé le plus proche. Toute réparation doit être effectuée par un centre de réparation agréé par Haier. Pour obtenir le nom et le numéro de téléphone du centre le plus proche, veuillez contacter le 1-877-337-3639.

Veuillez avoir en votre possession les documents suivants avant d'appeler :

Le numéro de modèle et de série de l'appareil (situé derrière l'appareil, à gauche, en haut).

Le nom et l'adresse de revendeur auprès duquel vous avez fait l'achat du produit ainsi que la date d'achat.

Une description claire du problème.
Une preuve d'achat (ticket de caisse).

CETTE GARANTIE COUVRE LES APPAREILS UTILISÉS SUR LE TERRITOIRE CONTINENTAL DES ÉTATS-UNIS, PUERTO RICO, ET AU CANADA. ELLE NE COUVRE PAS:

Le remplacement ou la réparation des fusibles ménagers, des disjoncteurs, des fils ou de la plomberie.

Les produits dont le numéro de série d'origine a été retiré ou modifié.

Les frais supplémentaires inhabituels, tels que les réparations dans un lieu autre que les lieux habituels, ou en dehors des heures ouvrables.

Les dommages aux vêtements.

Les dommages survenus en cours de transport.

Les dommages résultant d'une installation ou de réparations inadéquates.

Les dommages résultant d'un usage incorrect ou abusif, d'un accident, d'un incendie, d'inondations, ou de désastres naturels.

Les dommages résultant d'entretiens/de réparations par quiconque autre que le revendeur agréé Haier.

Les dommages résultant d'un courant électrique, voltage ou de fournitures électriques inadéquats.

Les dommages résultant de modifications ou de réglages non autorisés par Haier.

Le réglage des commandes utilisées par le client, tel qu'il est indiqué dans le guide de l'utilisateur

Les conduits, boutons, plateaux à peluches et l'ensemble des accessoires et pièces jetables.

La main d'œuvre, les frais de transport et d'expédition engendrés pour retirer ou remplacer les pièces défectueuses, au-delà de la garantie initiale de 12 mois.

Les dommages engendrés par une utilisation autre que l'utilisation ménagère normale.

Tous frais de transport ou d'expédition.

CETTE GARANTIE LIMITÉE REMPLACE TOUTE AUTRE GARANTIE ESPRESSE OU IMPLICITE, Y COMPRIS LES GARANTIES DE VALEUR MARCHANDE OU D'ADÉQUATION À UN USAGE PARTICULIER

Le recours offert dans cette garantie est exclusif et il est accordé à l'exclusion de tout autre.

La garantie ne couvrant pas les dommages directs et indirects, les limitations ci-dessus peuvent ne pas s'appliquer à tous les cas.

Certains états ne permettant pas la limitation de la durée des garanties implicites, les limitations ci-dessus peuvent ne pas s'appliquer à tous les cas.

Cette garantie donne à l'acheteur des droits spécifiques et celui-ci peut bénéficier d'autres droits qui varient selon les états.

Haier America Trading L.L.C.
New York, NY 10018.

Español

INSTRUCCIONES DE SEGURIDAD IMPORTANTES

Advertencia - Para reducir el riesgo de incendio, descarga eléctrica o lesiones a personas cuando utilice el electrodoméstico, siga las precauciones básicas, incluyendo las siguientes:

- 1. Lea todas las instrucciones antes de usar el electrodoméstico.**
2. Use este electrodoméstico sólo para el propósito que fue propuesto, tal como se describe en esta guía de uso y cuidado.
3. Use sólo detergentes o suavizantes recomendados para el uso en este electrodoméstico y manténgalos fuera del alcance de los niños.
4. Este electrodoméstico debe ser propiamente instalado de acuerdo con las instrucciones de instalación antes de ser usado.
5. Nunca desconecte su electrodoméstico jalando del cable eléctrico. Siempre tome la clavija firmemente y jale directamente del tomacorriente.
6. Reemplace inmediatamente los cables eléctricos gastados las clavijas y tomacorrientes flojos.
7. Desconecte su electrodoméstico antes de limpiarlo o antes de hacer cualquier reparación.
8. Si su electrodoméstico viejo no está siendo usado, nosotros recomendamos que le quite la puerta. Esto reducirá la posibilidad de peligro para los niños.
9. No opere su electrodoméstico en presencia de humos explosivos.
10. No use el electrodoméstico para lavar ropa remojada, manchada o bañada en gasolina, los solventes para la limpieza en seco o cualquier otra sustancia explosiva o inflamable que podría encender y explotar.
11. La ropa o los trapos usados para limpiar materiales inflamables o explosivos no deberán ser lavados en este electrodoméstico hasta que todas las trazas de estos materiales hayan sido removidas, para evitar accidentes.
12. No adicione o mezcle ninguna sustancia inflamable o explosiva para el lavado.
13. No trate de quitar la ropa mientras la tina esté en movimiento. Deje que la tina esté en completo alto antes de usarla.
14. La puerta de carga del electrodoméstico debe estar cerrada cuando la tina esté en movimiento.
15. No opere su electrodoméstico cuando falten partes o las partes estén rotas.
16. No use este electrodoméstico para el lavado de ropa comercial.
17. No opere este electrodoméstico a menos que todos los paneles de cerrado estén propiamente en su lugar.

18. Evite una manipulación imprudente de los controles.
19. Para reducir el riesgo de lesiones, no permita que los niños jueguen dentro o sobre el electrodoméstico. Es necesario supervisar a los niños cuando el electrodoméstico es usado en presencia de ellos.
20. Este electrodoméstico debe ser conectado a un apropiado tomacorriente eléctrico con los correctos suministros eléctricos.
21. La conexión a tierra debe ser apropiada para reducir el riesgo de descarga e incendio. **NO CORTE O REMUEVA LA CONEXION A TIERRA.** Si usted no tiene un enchufe eléctrico trifásico en la pared, un electricista certificado tiene que instalar el enchufe apropiado. El enchufe de la pared debe estar conectado apropiadamente a tierra.
22. El gas hidrógeno puede ser producido si el calentador no ha sido usado en más de 2 semanas. Este podría ser explosivo y puede explotar en ciertas circunstancias. Si este es el caso, antes de usar este electrodoméstico, abra todos los grifos de agua caliente y deje que el agua caliente corra durante pocos minutos. Esto permitirá que el hidrógeno acumulado escape. Durante este proceso no encienda ningún aparato eléctrico, no fume, ni encienda un fósforo/encendedor o use ninguna flama para evitar un accidente. El gas hidrógeno es inflamable y puede explotar.
23. No seque prendas que hayan sido previamente limpiadas, lavadas, mojadas, o manchadas con gasolina, solventes, u otras sustancias inflamables o explosivas, ya que se pueden producir vapores que pueden encenderse o explotar.
24. No repare o reemplace ninguna parte del electrodoméstico ni intente ninguna reparación a menos que sea recomendado de manera específica en las instrucciones de mantenimiento o reparación, de las cuales tenga conocimiento y destreza para desempeñarlas.
25. No utilice calor para secar artículos que contengan hule espuma o materiales con una textura similar.
26. Limpie el filtro de pelusas antes y después de cada carga.
27. No coloque los artículos expuestos a los aceites de cocina en su secadora. Los artículos contaminados con aceite de cocina podrían contribuir a una reacción química que pudiese causar un incendio.
28. Para reducir el riesgo de descarga eléctrica o incendio, no utilice cables de extensión o adaptadores para conectar la unidad al suministro eléctrico.

GUARDE ESTAS INSTRUCCIONES

Para Referencia Futura

Español

PELIGRO

Riesgo de aprisionamiento infantil. Antes de deshacerse de su antiguo electrodoméstico, quite la puerta para evitar que los niños puedan quedar atrapados en el interior.

Gracias por adquirir este producto de Haier. Este sencillo manual lo guiará para obtener el mejor uso de su lavadora y secadora.

Recuerde anotar el número de registro y el número de serie. Estos se encuentran en una etiqueta en la parte posterior de la unidad.

Número de Modelo

Número de Serie

Fecha de Compra

Engrape su recibo junto al manual. **Lo necesitará para obtener el servicio de la garantía.**

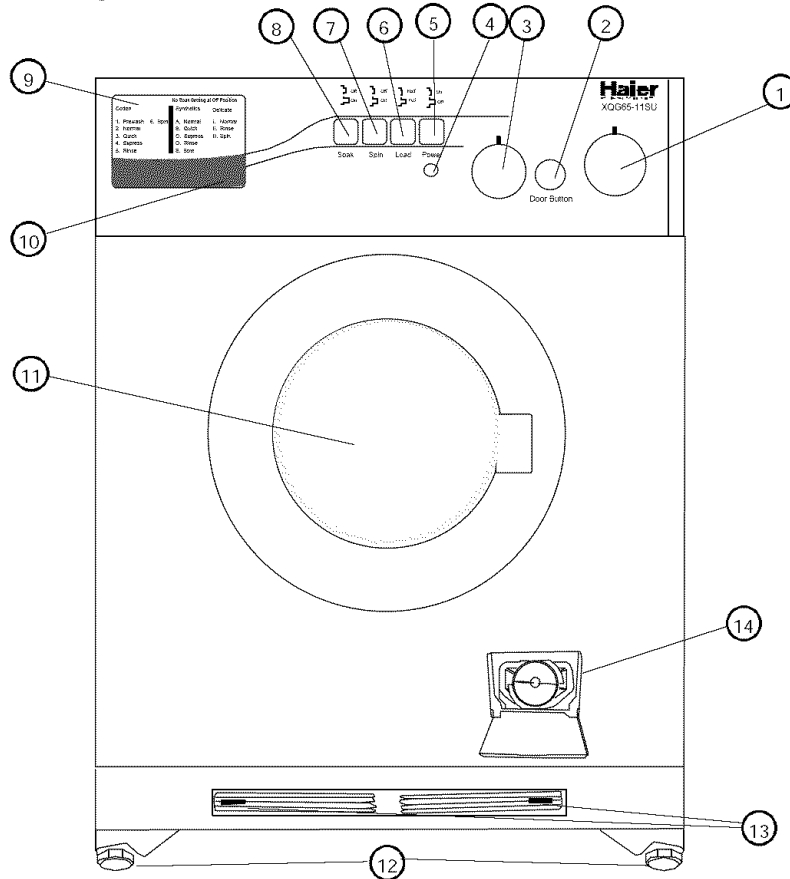
Indice

	PAGE
INSTRUCCIONES DE SEGURIDAD	1
INSTRUCCIONES DE FUNCIONAMIENTO	5
Partes y Funciones.....	5
Operación	7
Sonidos Normales de Operación.....	16
Guía de Cuidados y Limpieza	16
Limpieza y Mantenimiento.....	16
Mudanza y Vacaciones	17
Almacenamiento de su Lavadora	17
Problemas y Soluciones	18
INSTRUCCIONES DE INSTALACION	21
Herramientas y Materiales Requeridos	21
Desempacado de su Electrodoméstico.....	22
Nivelado de su Electrodoméstico	23
Pasos para la Instalación.....	23
Conexiones Eléctricas	26
Instrucciones de la Conexión a Tierra.....	26
Interrupciones Eléctricas.....	26
Garantía	27

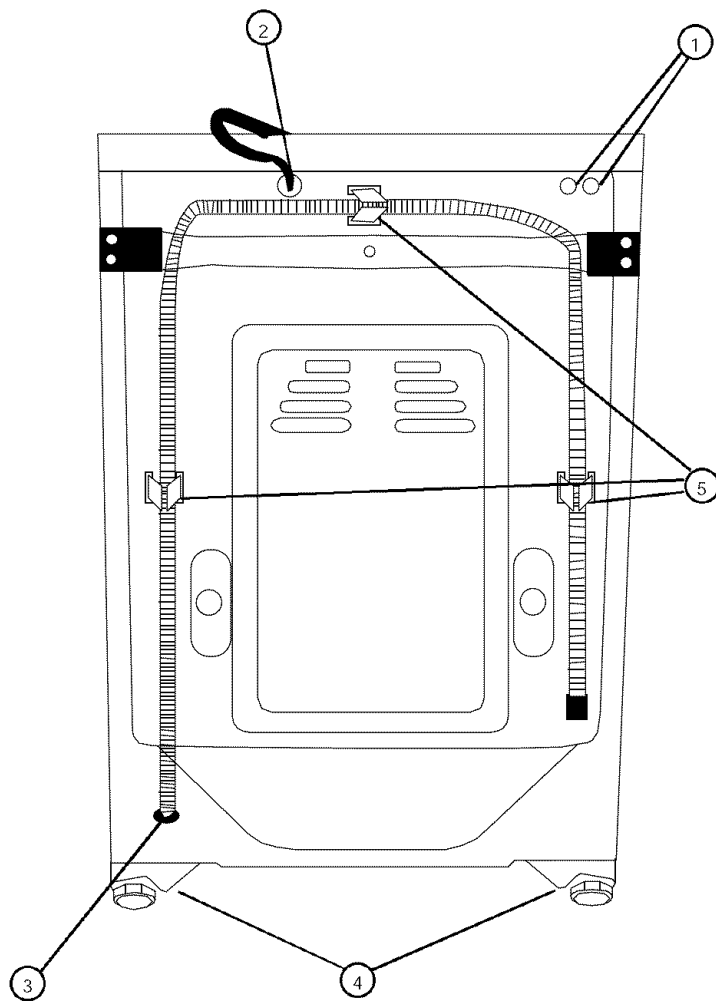
Español

INSTRUCCIONES DE FUNCIONAMIENTO

Partes y Funciones



- | | |
|--|---|
| 1. Perilla de Selección del Ciclo de Lavado | 8. Botón de Selección del Ciclo de Remojo "Encendido/Apagado" |
| 2. Botón de la Puerta | 9. Diagrama de Referencia del Ciclo de Lavado |
| 3. Perilla de Selección del Ciclo de Secado | 10. Dispensador del Detergente/Suavizante de Tela |
| 4. Luz Indicadora del Encendido "On" | 11. Ventanilla de Vidrio |
| 5. Botón de Encendido /Apagado ("On/Off") | 12. Patas Niveladoras Frontales Ajustables |
| 6. Botón de Selección para el Nivel de Enjuagado de la Carga | 13. Palancas Liberadoras de las Ruedecillas |
| 7. Botón de Selección para el Ciclo de Exprimido | 14. Filtro de Pelusas |



- 1. Mangueras para el agua (Caliente/Fría)
- 2. Cable Eléctrico (115 V / 60 Hz)
- 3. Manguera de Desagüe
- 4. Patas Niveladoras Traseras Ajustables
- 5. Clips Retenedores de la Manguera

Español**Familiarizándose con su Lavadora de Carga Frontal**

Este estilo de lavadora es más dócil en el lavado porque ésta tiene una acción de lavado en forma de voltereta y no hay un agitador que dañe su ropa. Debido a que no hay un agitador en este estilo de lavadora, la lavadora trabaja silenciosamente. Este estilo de lavadora está diseñada para ahorrarle dinero. Utiliza menos agua y detergente.

OPERACION**Botón de Encendido:**

- Presione el botón (éste estará hacia dentro) para tener su lavadora encendida. La luz se encenderá indicando que está encendida. Vuelva a presionar el botón (éste estará hacia fuera) para tener su lavadora apagada. La luz se apagará indicando que está apagada.



Apagado

Encendido



Potencia

**Botón de Selección para el Nivel de Enjuagado de la Carga:**

- Presione el botón (éste estará hacia dentro) si usted quiere reducir el uso del agua durante el ciclo de enjuagado. Vuelva a presionar el botón (éste estará hacia fuera) si usted quiere utilizar el máximo de agua durante el ciclo de enjuagado.



Medio

Por Completo



Carga

Nota: "Half" = Enjuagado con mínimo de agua
"Full" = Enjuagado con máximo de agua

Botón de Selección para el Ciclo de Exprimido:

- Si usted quiere extraer más agua de su ropa durante el ciclo de lavado, presione el botón (éste estará hacia fuera). La ropa estará más seca cuando esta opción sea seleccionada.
- Si usted no quiere extraer más agua de su ropa usando el ciclo de exprimido, presione el botón (éste estará hacia dentro). Si esta opción no es seleccionada, sólo el exceso de agua en la tina se drenará, dejando la ropa húmeda.



Apagado

Encendido



Vuelta

Ventajas de No Utilizar el Ciclo de Exprimido:

- El ciclo de exprimido puede causar exceso de dobleces y arrugas en algunas telas.
- La velocidad alta en el ciclo de exprimido quizá sea muy fuerte para prendas delicadas. Esto podrían resultar por estiramientos o desgastes.

Nota: Cuando el ciclo de exprimido esté en posición "OFF", la máquina no se pasará automáticamente a la función de secado.

Nota: El botón hacia adentro significa Apagado, el botón hacia fuera significa Encendido.

Botón de Selección para el Ciclo de Remojo:

- Presione el botón (éste estará hacia dentro) para tener el remojo apagado y vuelva a presionar el botón (éste estará hacia fuera) para tener el remojo encendido. Después del llenado de agua del remojo y que el suavizante de tela esté disperso, el ciclo permitirá que la ropa se remoje antes de completar el enjuagado del ciclo de lavado.



Remojo

Botón de la Puerta:

- Presione el botón para abrir la puerta. Esta unidad tiene incorporado un dispositivo de cierre de seguridad. Usted debe esperar 3 minutos para abrir la puerta después de que la máquina ha parado.



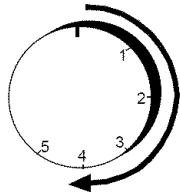
Puerta Empotrada

Nota: Si usted quiere abrir la puerta a la mitad del ciclo para añadir o remover ropa, presione el botón en la posición "OFF". Para continuar el ciclo simplemente cierre la puerta y presione el botón de encendido a la posición "ON".

Español

Ciclo de Lavado

- Antes de comenzar el lavado de su ropa, lea cuidadosamente el diagrama de referencia del ciclo. Este está localizado en la esquina superior izquierda del frente de su lavadora.



Nota: Gire la perilla hacia la derecha para la posición deseada CUANDO SELECCIONE EL CICLO.

Abajo se encuentra el diagrama de referencia del ciclo para su ropa.

Ciclos para Prendas de Algodón	Prendas Sintéticas	Prendas Delicadas
1-Pre-lavado	A-Normal	I-Normal
2-Normal	B-Rápido	II-Enjuagado
3-Rápido	C-Expreso	III-Exprimido
4-Expreso	D-Enjuagado	
5-Enjuagado	E-Exprimido	

- Seleccione el ciclo apropiado: De 1 a 4 para prendas de algodón, de "A" a "C" para prendas sintéticas o "I" para prendas delicadas en su perilla de selección para el ciclo.

Siga los siguientes pasos para seleccionar el ciclo apropiado:

1. Seleccione el número del ciclo apropiado, la letra o el número romano en el diagrama de referencia del ciclo.
2. Gire la perilla hacia la derecha para emparejar el símbolo. Asegúrese de alinear el indicador del símbolo en el panel del control.
3. Presione el botón de encendido ("ON").

Ciclo para Prendas de Algodón:

Ciclo de Pre-lavado: El propósito de este ciclo es para que usted pre-lave ropa con manchas difíciles antes de comenzar el ciclo de lavado. El ciclo está configurado de tal manera que éste irá automáticamente a través de los ciclos de lavado: Normal → Rápido → Expreso, incluyendo los ciclos de enjuagado y exprimido para completar el lavado. El tiempo total de este ciclo es de aproximadamente 147 minutos.

Ciclo de Lavado Normal: Este es usado para ropa de trabajo y juego, ropa doméstica blanca, ropa con manchas normales o ligeras y para ropa de algodón. Este ciclo es de aproximadamente de 130 minutos.

Ciclo de Lavado Rápido: Este es usado para una carga pequeña con manchas ligeras que necesitan ser lavadas rápidamente. Este ciclo es de aproximadamente de 80 minutos.

Ciclo de Lavado Expreso: Este es usado también para cargas pequeñas con manchas ligeras que necesitan ser lavadas rápidamente. Este ciclo es de aproximadamente de 60 minutos.

Ciclo para Prendas Sintéticas:

Ciclo de Lavado Normal: Este ciclo es usado para manchas en telas de planchado permanente, seda, lana, nylon y acrílico. Este ciclo es de aproximadamente de 60 minutos.

Ciclo de Lavado Rápido: Este es usado para una carga pequeña con manchas ligeras que necesitan ser lavadas rápidamente. Este ciclo es de aproximadamente de 45 minutos.

Ciclo de Lavado Expreso: Este es el mismo que del ciclo de lavado rápido excepto por el tiempo. Este ciclo es de aproximadamente 40 minutos.

Ciclo para Prendas Delicadas:

Ciclo de Lavado Normal: Este ciclo es usado para telas delicadas que frecuentemente se lavan a mano. Este ciclo es de aproximadamente de 40 minutos.

Nota: Si el ciclo de exprimido está en posición "OFF" antes de iniciar el ciclo, la máquina se desaguará automáticamente y se apagará. Asimismo no se encenderá automáticamente para la función de secado.

Español

Temperatura

La temperatura del agua está predeterminada cuando usted selecciona el ciclo de lavado, éste fijará la temperatura adecuada para cada carga de lavado.

Por favor lea el siguiente diagrama para entender la temperatura adecuada de cada ciclo:

Tipo de Ciclo	Tipo de Temperatura
----------------------	----------------------------

Ciclo para Prendas de Algodón

Pre-lavado	Fría
Normal	Caliente
Rápido	Tibia
Expreso	Fría
Enjuagado	Fría

Ciclo para Prendas Sintéticas

Normal	Tibia
Rápido	Tibia
Expreso	Fría
Enjuagado	Fría

Ciclo para Prendas Delicadas

Normal	Fría
Rinse	Fría

Nota: El agua caliente necesita estar a una temperatura de al menos 49°C a 60°C para que el jabón se disuelva y evite residuos en la ropa. Si la temperatura del agua no está en los niveles arriba descritos cuando lave su ropa, usted necesitará regular su calentador de agua para mantener esa temperatura.

Carga de la Lavadora:

- Cargue cada artículo sin apretar.
- Separe la ropa blanca de la de color. Separe la ropa pesada de la ropa ligera.
- Revise cuidadosamente todos los bolsillos y puños, puede haber objetos pequeños, los cuales pueden resbalar dentro de la tina y causar lesiones.
- Dé un pre-tratamiento a todas las manchas y áreas de manchas difíciles para mejores resultados.
- No sobrecargue la lavadora.
- Cierre la puerta apropiadamente después de cargar la ropa.

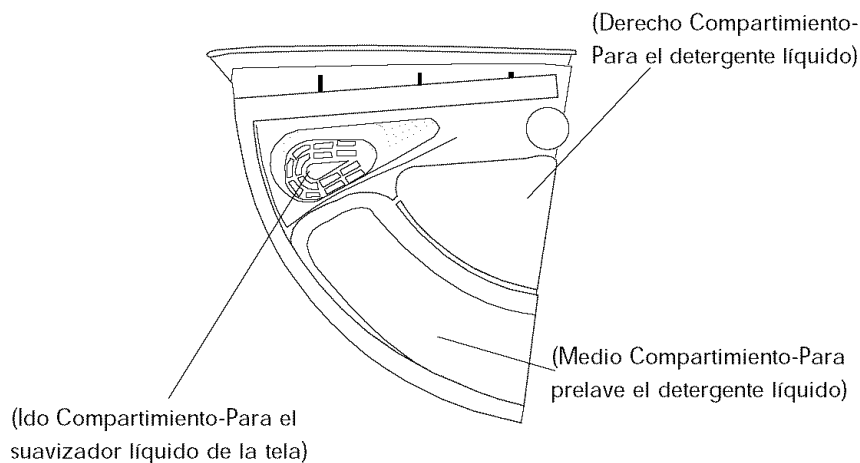
Uso Apropriado del Dispensador:

El dispensador del detergente/suavizante está localizado en la esquina superior derecha de la lavadora. Abra el dispensador jalando éste hacia fuera. Usted verá que hay tres compartimentos.

Compartimento de en Medio: Este es usado para el detergente líquido en el pre-lavado. Este es usado cuando usted quiere pre-lavar ropa sucia con manchas difícil antes del ciclo de lavado.

Compartimento Derecho: Este es usado para el detergente líquido en el ciclo de lavado.

Compartimento Izquierdo: Este es usado para el suavizante de tela líquido.



Uso Apropriado del Suavizante de Tela:

- Ponga el suavizante de tela líquido dentro del compartimento de lado izquierdo como es recomendado por el fabricante.
- Para evitar derrames, no exceda el nivel del compartimento.

Español**Uso Apropriado del Detergente:**

El detergente de baja espuma es recomendado para lavadoras de carga frontal. Este tipo de detergentes evita daños a su lavadora, los cuales pueden ser causados por una cantidad excesiva de espuma que entra al compartimento del condensador.

Nota: Usted puede usar menos o más detergente dependiendo del tamaño de la carga, el tipo de agua en su domicilio, si ésta es suave o dura y si la ropa tiene manchas difíciles o ligeras. Además del desempeño de la lavadora, la calidad del detergente también afecta el resultado del lavado.

- Advertencia:**
- Nunca ponga suavizante de tela directamente sobre la ropa porque éste manchará su ropa.
 - No use suavizante en polvo dentro del dispensador, de lo contrario éste obstruirá el dispensador. El dispensador está diseñado sólo para líquidos.

Operación de la Secadora:

- Su secadora es de "**tipo condensador**", lo que significa que ésta no requiere de ventilación. Durante el proceso de secado, la evaporación del agua de su ropa es condensada por la máquina y drenada por las mangueras de desagüe. La máquina utiliza pequeñas cantidades de agua que se alimenta automáticamente de la manguera de entrada. Quizá usted escuche que la máquina está absorbiendo agua durante el ciclo de secado.
- Con este diseño sin ventilación, usted puede instalar la secadora debajo del mostrador o cualquier área encerrada. Usted no necesita preocuparse por evacuar el aire caliente proveniente del área en donde está instalada.

Nota: La operación de secado de esta unidad es diferente a otras secadoras que usted haya usado antes. Las secadoras domésticas grandes o de lavandería operan con 220 V las cuales se abastecen de más energía y permiten tiempos de secado más rápidos. Su secadora opera con 115 V, la cual se abastece de menos energía resultando un tiempo de secado más largo.

- Usted puede seleccionar un tiempo de secado de hasta 120 minutos. Vea la temperatura y el tiempo recomendado para diferentes tipos de ropa:

Selección del Tiempo de Secado	Tipo de Calor	Tipo de ropa
90-120 minutos	Alto	Para jeans y toallas, etc.
60-80 minutos	Medio	Para prendas ligeras tales como sábanas, faldas, calcetines etc.
40-50 minutos	Bajo	Para prendas ligeras tales como medias y nylon, etc.

Nota: Para cargas pesadas, quizá usted quiera remover 1/3 a de la carga y secar por separado la ropa restante. Esto será una manera eficiente para secar su ropa y no tomará un secado prolongado, para cargas menos llenas, quizá quiera reducir el tiempo de secado. Esto evitará secar demasiado.

Operación Manual de la Secadora:

- Para operar la secadora manualmente, simplemente cargue la máquina con ropa húmeda, gire la "Perilla de Selección de Secado" al tiempo deseado y presione el botón de encendido a "ON".

Nota: Cuando opere la secadora, usted debe mantener la perilla de "Selección del Ciclo de Lavado" en posición "OFF" para tener la secadora en posición "ON".

Operación Automática de la Secadora:

- Para la operación automática, simplemente ponga la "Perilla del Ciclo de Secado" al tiempo deseado al comienzo del ciclo de lavado. Cuando el ciclo de lavado haya terminado, la secadora se encenderá automáticamente.

Nota: La secadora no se encenderá automáticamente si el ciclo de exprimido está en la posición "OFF". Usted debe mantener el botón del ciclo de exprimido en posición "ON" para ir de la función de lavado a la función de secado automáticamente.

Nota: Cuando la carga de lavado sea pesada, recomendamos mantener el ciclo de exprimido en posición "OFF" para evitar que la unidad vaya al modo de secado automáticamente al final del ciclo si el ciclo de exprimido estuvo en posición "ON". Esto le dará a usted la flexibilidad para sacar 1/3 a de la carga y secar el resto. La ventaja es que su ropa se secará uniforme y rápidamente.

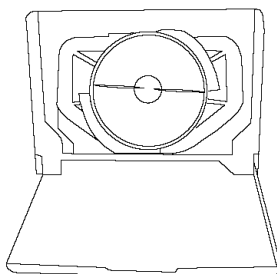
Carga de la Secadora:

1. Clasifique las prendas para secarlas. Separe las prendas de color obscuro de las de color claro, como lo hace para lavar. Revise que no existan manchas que puedan no haber desaparecido durante el lavado. El calor de la secadora puede fijar permanentemente algunas manchas. Las prendas bien secas necesitarán un cuidado mínimo al sacarlas de la secadora.
2. Cargue la secadora con la ropa lavada. Para mejores resultados, use una carga de ropa de tela, peso y construcción similar. Coloque las prendas pequeñas en una bolsa de malla para evitar que se enreden. No cargue demasiado la secadora. Agregue una toallita de suavizante de tela si lo desea.
3. Seleccione la temperatura de secado dependiendo del tipo de tela y del tamaño de la carga.
4. Espere a que el ciclo de secado termine antes de abrir la puerta de la secadora.

Nota: No seque demasiado la ropa. El secarla demasiado puede causar encogimiento, aspereza y arrugas en la tela.

Español**Filtro de Pelusas:**

- El filtro de pelusas está localizado en la esquina frontal inferior derecha detrás de la tapa de la puerta pequeña. Presione la tapa de la puerta. Para quitar el filtro de pelusas, gire la perilla del contador hacia la izquierda. Esto liberará el filtro de pelusas. Para volver a colocar, gire la perilla hacia la derecha. Esto cerrará el filtro de pelusas.
- Por favor limpie el filtro antes y después de cada uso, pero no lo quite por ninguna razón mientras la máquina esté en operación.

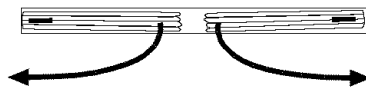
**La Trampa del Botón**

Trampa del botón se diseña para reunir objetos pequeños tal como botón, las monedas, etc. Cuando esto puede acontecer muy raramente, recomendamos para no verificar la trampa más que dos veces al año. La Trampa del botón se localiza atrás la cubierta plástica en el fondo la frente correcta de la máquina. Si usted necesita acceder, sacar el ruedecillas por simplemente hacia usted. Quite la cubierta plástica anterior, tuerce la perilla contra a la derecha la posición y lo estira fuera. Después que vaciarlo fuera, lo reemplaza apoya torciendolo a la derecha.

Nota: Coloca cacerola superficial bajo la trampa la cantidad como pequeña que abre de agua puede descargar.

Ruedecillas

Para su conveniencia, su máquina cuenta con ruedecillas para que pueda mover ésta a donde usted desee. Las ruedecillas están localizadas en los laterales frontal inferior derecho e izquierdo de la máquina. Ponga ambas manos en el hueco pequeño donde están localizadas las palancas de las ruedecillas. Simplemente empujelas hacia usted. Cuando la máquina haya sido trasladada a un lugar apropiado sólo empuje las palancas de las ruedecillas hacia atrás en su posición.



Sonidos Normales de Operación

Los siguientes sonidos son comunes durante el funcionamiento de la lavadora.

- Sonidos de volteretas: Esto es normal ya que las prendas mojadas son agitadas continuamente alrededor.
- Sonidos de corriente de aire: Esto ocurre debido a que la tina de la lavadora gira a altas revoluciones por minuto.
- Los ciclos de lavado y enjuagado en el encendido y apagado harán sonidos "clic".

Guía de Cuidados y Limpieza

Advertencia: Antes de limpiar, siempre desconecte su lavadora para evitar descargas eléctricas. El ignorar esta advertencia puede resultar en lesiones o la muerte. Antes de usar los productos de limpieza, siempre lea y siga las instrucciones y advertencias de los fabricantes para evitar lesiones personales o daños del producto.

Limpieza y Mantenimiento

Use sólo un trapo húmedo y jabonoso para limpiar el panel de control.

- Para evitar algún tipo de daño al acabado del gabinete, limpie el gabinete de la lavadora como sea necesario. Si usted derrama líquido/suavizante en polvo, blanqueador o detergente sobre el gabinete, limpie el gabinete inmediatamente porque puede causar daños al acabado.
- No use ningún abrasivo, químicos agresivos, amoníaco, blanqueador de cloro, detergente concentrado, solventes o estropajos de metal. Algunos de estos químicos pueden disolver, dañar y/o decolorar su electrodoméstico.
- Quite los prendedores u otros objetos puntiagudos de la ropa para prevenir rayaduras en las partes interiores.
- Sugerimos que usted no verifique la trampa del botón más que dos veces al año. No use la arandela sin la trampa del botón en el lugar.
- El Compartimento del Dispensador del Detergente tiene un inserto removible. Con el paso del tiempo, este compartimento puede acumular detergente seco, mugre o restos. Usted debe quitar el inserto, enjuagar en el fregadero y quitar los restos con un cepillo suave.

Español

Mudanza y Vacaciones

- Cierre el grifo del suministro de agua y desconecte las mangueras. Escurra el agua de todas las mangueras. Esto evitará daños debido a que el agua gotee si las mangueras accidentalmente se rompen o se aflojan.
- Desconecte la clavija eléctrica.
- Seque el interior de la tina de lavado. Si traslada la lavadora, desconecte la manguera de desagüe.
- Gire las patas niveladoras hacia la derecha.
- Reinstale los pernos de embalaje y los soportes metálicos en la parte posterior para impedir la agitación de las partes internas cuando traslade la lavadora a otro lugar.
- Para prevenir mohos o el enmohecimiento, deje la puerta abierta para que la humedad que está dentro de la máquina pueda evaporarse.

Almacenamiento de su Lavadora en Ambiente Frío

- Este electrodoméstico debe ser almacenado a temperatura ambiente.
- Si usted a recibido la entrega del electrodoméstico cuando la temperatura exterior está congelante, no opere hasta que haya alcanzado la temperatura ambiente.
- No instale u opere su electrodoméstico donde la temperatura ambiente esté congelante.

Problemas y Soluciones

La lavadora no funciona:

- Revise que la unidad esté conectada. La clavija puede haberse aflojado.
- Revise si el tomacorriente eléctrico tiene el voltaje apropiado.
- Revise si el cortacircuito necesita reajustarse o si el fusible necesita reemplazarse.
- Revise si la unidad está en la modalidad de "Apagado".
- Revise si la lavadora está sobrecargada: la carga puede necesitar ser rebalanceada y la ropa puede necesitar ser redistribuida.
- Revise si la puerta está abierta. Usted quizá tenga que cerrar la puerta adecuadamente.
- Revise si la perilla de control está propiamente fija. Usted quizá tenga que ajustar la perilla de control.
- La lavadora se interrumpe en algunos ciclos. Esto es normal en los ciclos para prendas delicadas y lavado a mano, el cual tiene un periodo de remojo corto donde su ropa está siendo remojada. Usted no escuchará a su lavadora funcionar por un periodo de tiempo corto. Cuando el tiempo de remojo se haya finalizado, ésta comenzará automáticamente.

Problemas con el agua:

- No hay suficiente agua saliendo: El grifo puede necesitar ser abierto completamente. Las mangueras del agua pueden estar enredadas o fruncidas. Estire las mangueras. Revise la selección del nivel del agua, ésta puede necesitar ser reajustada.
- La temperatura del agua es incorrecta: Revise la temperatura de su calentador de agua. El agua caliente necesita estar a una temperatura de al menos 49°C - 60°C. Asegúrese que la manguera de entrada esté conectada apropiadamente (por ejemplo: caliente con caliente y fría con fría).
- Goteras: Esto es debido a una instalación inadecuada de las mangueras de desagüe o de las mangueras de llenado. Su drenaje doméstico puede estar obstruido o tener presión constante de agua. Usted puede necesitar apretar las mangueras, verificar la plomería o llamar a un plomero.
- El agua es extraída antes de que el ciclo esté completo. Esto sucede si usted abre la puerta a la mitad del ciclo.
- El agua no es desaguada: Esto es debido a que la manguera de desagüe no está instalada apropiadamente. Usted puede necesitar conectar apropiadamente la manguera de desagüe. Revise la posición de la manguera del drenaje. Para desaguar apropiadamente, asegúrese que la punta del drenaje de salida esté a menos de 1,2 m sobre el piso.

Español**La Lavadora Hace Ruido:**

- Puede que la lavadora necesite ser reinstalada. (Revise la sección de instalación).
- La carga de la lavadora necesita ser rebalanceada, quizá la carga esté desnivelada.
- Las monedas, botones y objetos pesados podrían hacer ruido (lea la Guía de Funcionamiento y Sonidos Normales de Operación).
- Sonidos Chillantes: Debido a la sobrecarga de la tina de lavado.
- Vibración Ruidosa: Debido a la impropia nivelación del piso y la distribución desnivelada de ropa en la tina.

Problemas con la Ropa:

- La ropa está muy arrugada: Esto es debido a la clasificación impropia, sobrecarga y el lavado en agua muy caliente repetidamente. Evite la sobrecarga y clasifique su carga. No mezcle ropa pesada tal como ropa de trabajo con ropa ligera como blusas, camisas ligeras y delicadas. Puede que necesite lavar con agua tibia o fría.
- Tiene residuos de jabón: El detergente puede no estar disuelto en el agua. Revise la temperatura del agua o usted necesita adicionar el detergente cuando la tina comience a llenarse con agua antes de cargar su ropa para evitar residuos de jabón sobre la ropa.
- Manchas en su ropa: Esto es debido al uso incorrecto del suavizante de tela. Usted quizá necesite leer las instrucciones en el contenedor y seguir las indicaciones de uso.
- La ropa está de color grisáceo o amarillenta: Esto es debido a que no pone suficiente detergente en cargas grandes. Quizá tenga que adicionar más detergente a la carga.
- La ropa está desgarrada y tiene agujeros/desgastes y rasgones: Esto es debido a objetos puntiagudos tales como los prendedores y a las hebillas de los cinturones dejados en las bolsas. Usted necesitará quitar los objetos puntiagudos pequeños sueltos. Abroche los cinturones, cierres, clips metálicos, etc. Revise si usted está utilizando blanqueador diluido. Nunca adicione blanqueador sin diluir a la lavadora.

La Secadora no Funciona:

- Revise que la unidad esté conectada. La clavija puede haberse aflojado.
- Revise si el cortacircuito necesita reajustarse o si el fusible necesita reemplazarse.
- Revise si la unidad está en la modalidad de "Apagado". Presione el botón de Encendido de nuevo.
- Revise que la puerta no esté abierta.

La Secadora está Funcionando Pero no Seca la Ropa:

- La unidad puede estar demasiado cargada. El tambor de la secadora debe estar lleno hasta la mitad.
- Revise si el filtro de pelusas está limpio y libre de polvo.
- Tiene que clasificar la carga de la secadora. Las prendas pesadas tienen que separarse de las prendas regulares.
- Acomode la ropa abultada.
- Si la ropa se seca de manera desigual, puede que requiera un ajuste más alto de secado o que tenga que clasificar la ropa.

La Secadora Produce un Sonido al Secar:

- Las monedas, botones y objetos pesados pueden producir estos sonidos.
- Puede que la secadora necesite nivelarse uniformemente. Lea la Guía de Funcionamiento y Sonidos Normales de Operación.

Estática:

- Causada por un secado excesivo. Ajuste a un tiempo de secado más corto.
- Mezcla de telas sintéticas. Clasifique y separe las diferentes telas.
- Use suavizante de tela.

Español

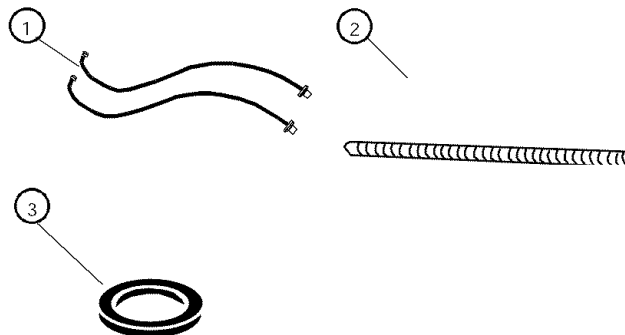
INSTRUCCIONES DE INSTALACION

Herramientas y Materiales Requeridos

Usted necesitará tener las siguientes herramientas para ayudarlo en la instalación de su lavadora:

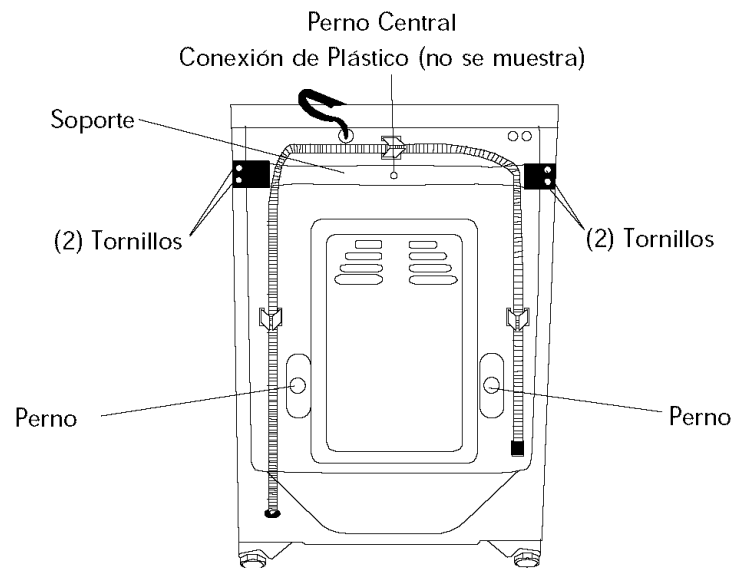
- Tijeras
- Destornillador de Cabeza Phillips
- Destornillador Estándar
- Alicates
- Llave Inglesa
- Cinta Métrica
- Guantes
- Nivelador

Accesorios Provistos	Cantidad
1. Mangueras de Entrada para Agua Caliente y Fría	2
2. Manguera de Desagüe	1
3. Arandelas Planas de la Manguera de Entrada de Agua	4



Desempacado de su Electrodoméstico

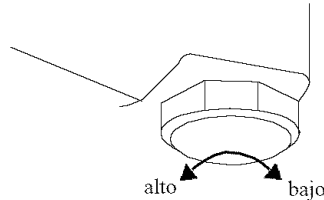
- Retire todo el material de embalaje incluyendo los pernos y los soportes. Retire las cintas adhesivas que sostienen los accesorios internos y externos.
- Inspecciones y retire cualquier resto de embalaje, cintas adhesivas o materiales impresos antes de usar la lavadora.
- Quite los 2 pernos, los 4 tornillos y el perno central que sostiene al soporte metálico de la parte posterior de esta unidad que son instalados para proteger el tambor y los componentes internos de daños durante el envío. (La Llave Inglesa está incluida en la bolsa del manual de instrucciones)
- Los tornillos y los pernos deben ser retirados antes de usar la máquina. Una vez retirados, guarde éstos para cuando traslade la máquina y usted pueda reinstalarlos para proteger la máquina de daños durante el envío.
- Una vez retirado el soporte, reinstale los tornillos del soporte, el perno central y la conexión de plástico para prevenir daños a la máquina.



Español

Nivelado de su Electrodoméstico

- Su lavadora tiene 4 patas niveladoras; las cuales están localizadas por debajo de las cuatro esquinas. Después de ubicar adecuadamente su lavadora en su posición final, usted puede nivelarla.
- Las patas niveladoras pueden ajustarse girándolas a la izquierda para elevar la lavadora o girándolas a la derecha para bajar la lavadora.



Pasos para la Instalación

Seleccione un lugar apropiado para este electrodoméstico en una superficie dura y uniforme, lejos de los rayos directos del sol o fuente de calor, por ejemplo: radiadores, calentadores, aparatos electrodomésticos, etc., cualquier piso de nivelado debe ser corregido con las patas niveladoras localizadas por debajo de las esquinas. Este electrodoméstico debe ser colocado a temperatura ambiente. Usted no debe colocarlo donde la temperatura esté congelante.

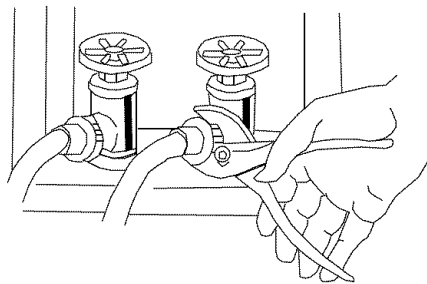
Instalación de su Lavadora:

Lea cuidadosamente estas instrucciones antes de la instalación.

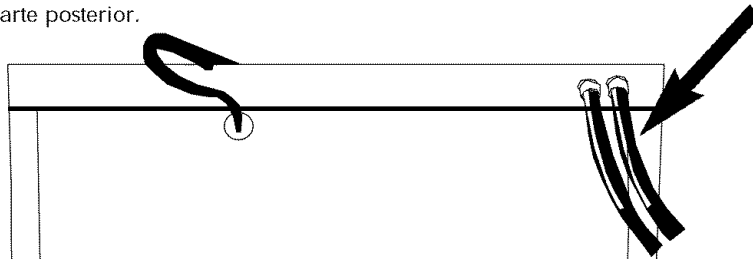
Precaución: Si después de completar todos estos pasos, usted no está seguro de que la unidad está instalada adecuadamente, contacte a un instalador calificado. Para asegurarse que su electrodoméstico está instalado apropiadamente, es recomendable que éste sea instalado por un instalador certificado.

1. Inserte la arandela plana nueva dentro de cada extremo de las mangueras de entrada. Ponga firmemente las arandelas en el acoplamiento.

Nota: Usted puede que tenga que usar alicates para apretar el acoplamiento. No sobreapriete porque puede causar daños a la válvula.

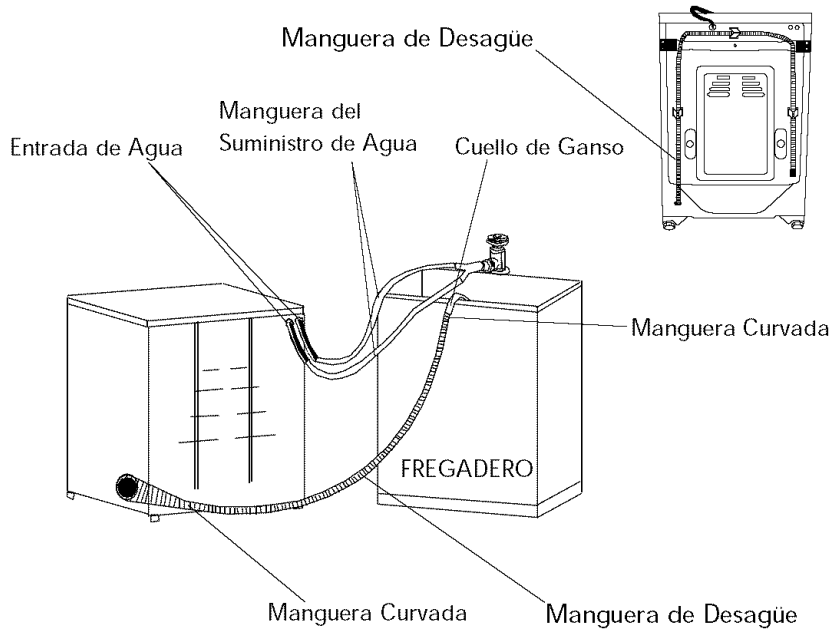


2. Conecte las mangueras de entrada del agua caliente y fría al grifo de agua caliente y fría.
3. Conecte el otro extremo a las respectivas entradas de la lavadora, localizadas en la parte posterior.



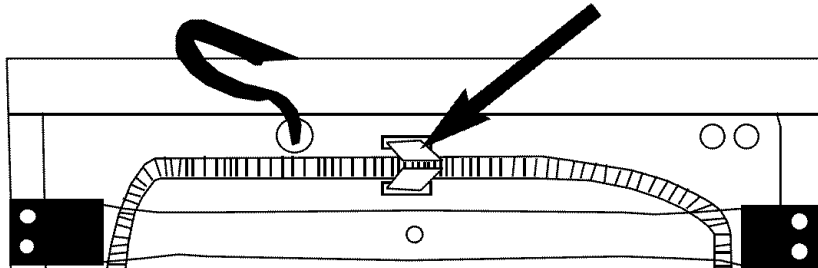
Nota: El agua caliente necesita estar a una temperatura de al menos 49°C - 60°C para que el jabón se disuelva y para evitar residuos de jabón en la ropa.

4. 4. Instale la manguera de desagüe al drenaje. La manguera de desagüe debe estar colocada dentro de un drenaje de al menos 3,8 cm de diámetro o directamente en un fregadero. Use el "cuello de ganso" para sostener la manguera en su lugar. Para evitar la posibilidad de que el agua regrese, la manguera de desagüe debe extenderse al menos 80 cm como mínimo y 1 m como máximo. Si el fregadero tiene al menos 95 cm de altura, guíe de la manguera de desagüe a través del clip en la parte posterior de la máquina.



Español

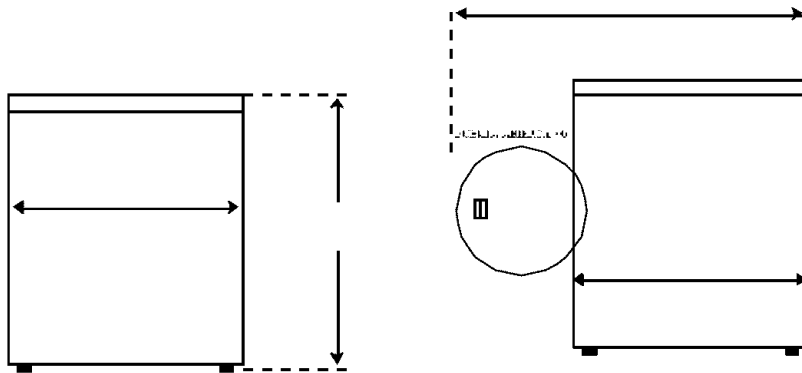
(Guié de la manguera de desagüe a través del Clip)



Nota: Inspeccione cuidadosamente si existen goteras alrededor y en la parte posterior de la máquina. Si hay goteras, revise si alguna conexión está floja. Usted quizá necesite apretar las conexiones flojas.

5. Conecte la lavadora en un tomacorriente regular de 115 V, 60 Hz y 15 A.

Dimensiones de la Unidad



VISTA FRONTAL

VISTA LATERAL

Conexiones Eléctricas

Instrucciones de la Conexión a Tierra

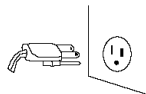
Este aparato debe ser conectado a tierra. En el caso de un corto circuito eléctrico, la conexión a tierra reduce el riesgo de descarga eléctrica proveniente de un cable suelto de la corriente eléctrica. Este electrodoméstico está equipado con un cable a conexión a tierra. Esta conexión debe ser insertada dentro del tomacorriente instalado propiamente a tierra.



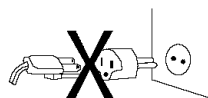
- El uso impropio de la conexión trae como consecuencia el riesgo de descarga eléctrica.
- Consulte a un electricista calificado o al personal de reparación si las instrucciones de la conexión a tierra no son completamente comprendidas o si existe alguna duda de que el aparato esté conectado propiamente a tierra.

Requerimientos de la Instalación Eléctrica:

- Este electrodoméstico debe estar conectado a un tomacorriente **CONECTADO A TIERRA** de al menos 15 A, 115-120 V y 60 Hz.



- Nota:** Donde se encuentra un tomacorriente bifásico, es responsabilidad y obligación del consumidor reemplazarlo por un tomacorriente trifásico, con una conexión apropiada a tierra.



Cables de Extensión:

No se recomienda el uso de cables de extensión.

Interrupciones Eléctricas:

Ocasionalmente pueden existir interrupciones de energía eléctrica debido a tormentas y otras causas. Quite el cable de energía eléctrica del tomacorriente de Corriente Alterna cuando ocurra un paro de energía. Cuando la energía eléctrica haya sido restablecida, reconecte el cable de energía eléctrica al tomacorriente de Corriente Alterna. Si el paro de energía es por un periodo de tiempo prolongado, limpie la lavadora antes de usarla.

Español

Garantía Limitada

Garantía de UN Año Completo

Durante un periodo de 12 meses a partir de la fecha de compra original, Haier reparará o reemplazará cualquier parte, libre de costo, incluyendo fallas en el funcionamiento debido a defectos en los materiales o mano de obra.

Garantía Limitada

Después de un año a partir de la fecha de compra original, Haier proveerá una parte, libre de costo como se indica abajo, para reemplazar dicha parte debido a defectos en los materiales o mano de obra. Haier es responsable solamente por el costo de la parte. Todos los demás costos tales como mano de obra, costos de envío, etc. son responsabilidad del dueño.

Tercer al Quinto Año

Haier proveerá el tambor de la secadora si este se oxida.

Tercer al Décimo Año

Haier proveerá a tina de lavado interna de acero inoxidable.

NOTA: Esta garantía comienza en la fecha de compra del artículo y la factura original de compra debe presentarse al centro de servicio autorizado para poder efectuar cualquier reparación que esté bajo la garantía.

Excepciones: Garantía por Uso Comercial o Bajo Arrendamiento

90 Días de mano de obra a partir de la fecha de compra original. Excluyendo costos de envío.

90 Días de reemplazo de partes a partir de la fecha de compra original. Ninguna otra garantía aplica.

Reparaciones Bajo la Garantía

Contacte el centro de servicio autorizado más cercano. Todas las reparaciones deberán realizarse por un centro de servicio autorizado de Haier. Para obtener el nombre y el número telefónico del centro de servicio autorizado más cercano, favor de llamar al 1-877-337-3639.

Antes de llamar deberá tener disponible la siguiente información:

Número de modelo y número de serie del aparato. El nombre y la dirección del distribuidor de donde adquirió la unidad y la fecha de compra.

Una clara descripción del problema.

Una prueba de compra (recibo de compra).

Esta garantía cubre aparatos dentro del territorio continental de los Estados Unidos y Canadá. Esta garantía no cubre lo siguiente:

Reemplazo o reparación de los fusibles, cortacircuitos, instalación eléctrica o tubería de la casa. Un producto al cual se le ha removido o alterado el número de serie original. Cargos de servicio adicionales no identificados específicamente como normales, tales como llamadas hechas fuera del área u horario de servicio.

Daños a las prendas.

Daños durante el envío.

Daños causados por una instalación o reparación inadecuada.

Daños por maltrato, abuso, accidentes, incendios, inundaciones o actos de la naturaleza.

Daños por reparaciones no llevadas a cabo por un distribuidor o centro de servicio autorizado por Haier.

Daños causados por corriente eléctrica, voltaje o suministro eléctrico incorrectos.

Daños causados por modificaciones, alteraciones o ajustes no autorizados por Haier.

Ajustes de los controles operados por el consumidor como se identifican en el manual del dueño.

Mangueras, perillas, filtros de pelusa y todos los aditamentos, accesorios y partes desechables.

Cargos de mano de obra, transportación y envío por remover y reemplazar las partes defectuosas más allá del periodo inicial de 12 meses.

Daños que no hayan ocurrido durante el uso normal doméstico.

Cualesquier cargos de transportación y envío.

ESTA GARANTIA LIMITADA ES PROVISTA EN SUSTITUCION DE CUALESQUIER OTRAS GARANTIAS, EXPLICITAS O QUE INCLUYAN LAS GARANTIAS DE COMERCIALIZACION O ADAPTACION PARA UN PROPOSITO PARTICULAR.

El amparo provisto por esta garantía es de uso exclusivo y se otorga en sustitución a cualquier otro amparo. Esta garantía no cubre daños incidentales o consecuentes, por lo que las anteriores restricciones pueden no ser aplicables en su caso. En ciertos estados no se permiten restricciones en la duración implícita de una garantía, por lo que las anteriores restricciones pueden no ser aplicables en su caso. Esta garantía le otorga derechos legales específicos y puede que tenga otros derechos, los cuales varían de estado a estado.

Haier America Trading L.L.C.
New York, NY 10018.

IMPORTANT

Do Not Return This Product To The Store

If you have a problem with this product, please contact the "Haier Customer Satisfaction Center" at 1-877-337-3639.

DATED PROOF OF PURCHASE REQUIRED FOR WARRANTY SERVICE

IMPORTANT

Ne pas Réexpédier ce Produit au Magasin

Pour tout problème concernant ce produit, veuillez contacter le service des consommateurs 'Haier Customer Satisfaction Center' au 1-877-337-3639.
UNE PREUVE D'ACHAT DATEE EST REQUISE POUR BENEFICIER DE LA GARANTIE.

IMPORTANTE

No regrese este producto a la tienda

Si tiene algún problema con este producto, por favor contacte el "Centro de Servicio al Consumidor de Haier" al 1-877-337-3639 (Válido solo en E.U.A).

NECESITA UNA PRUEBA DE COMPRA FECHADA PARA EL SERVICIO DE LA GARANTIA

240 V, 60 Hz

Made in China
Fabriqué en Chine
Hecho en China

Haier[®]
What The World Comes Home To™

Haier America Trading, L.L.C.
New York, NY 10018

Printed in China